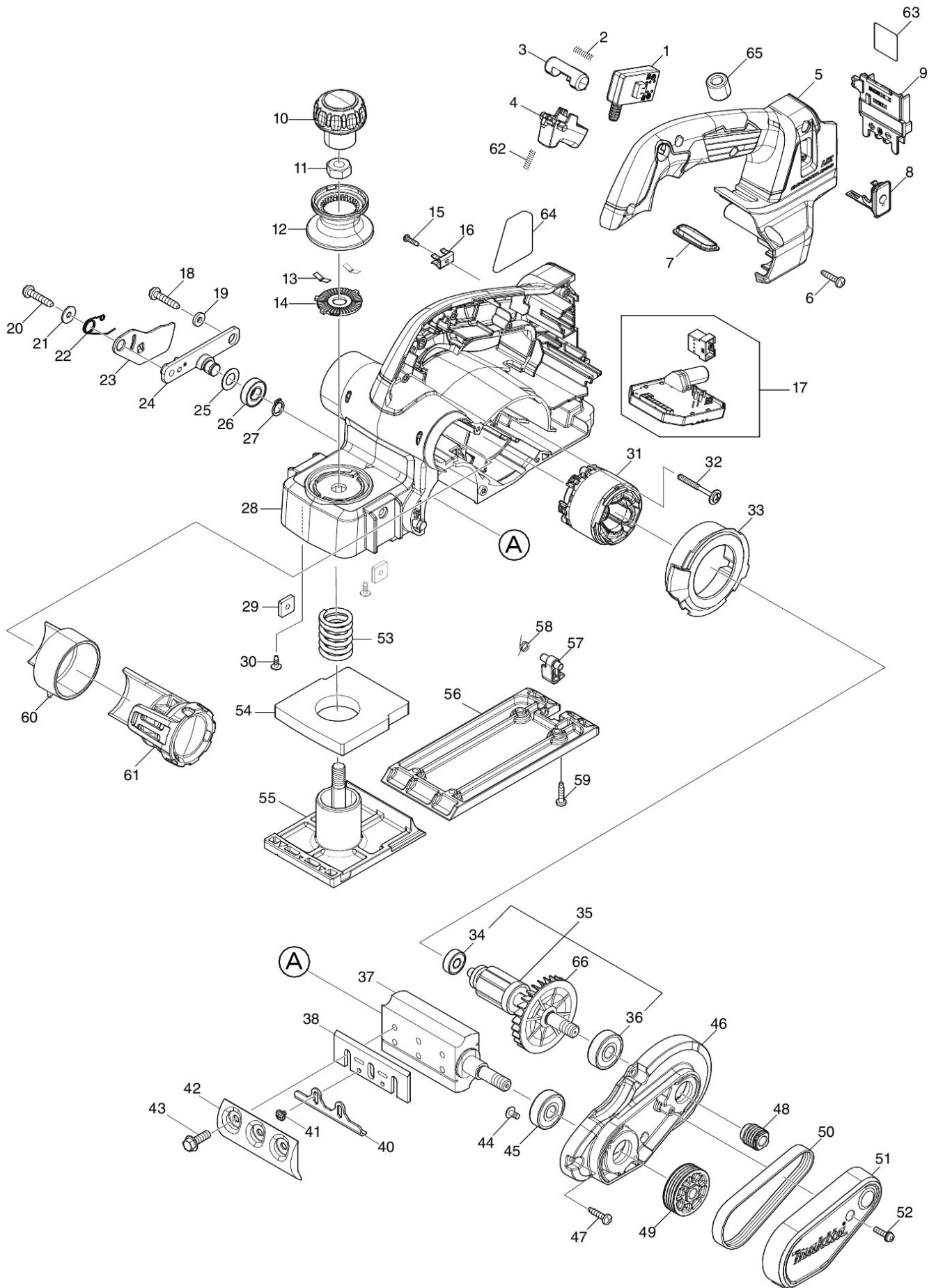


Partdrawing for DKP181ZJ - Schaaf



2019/07
DKP181