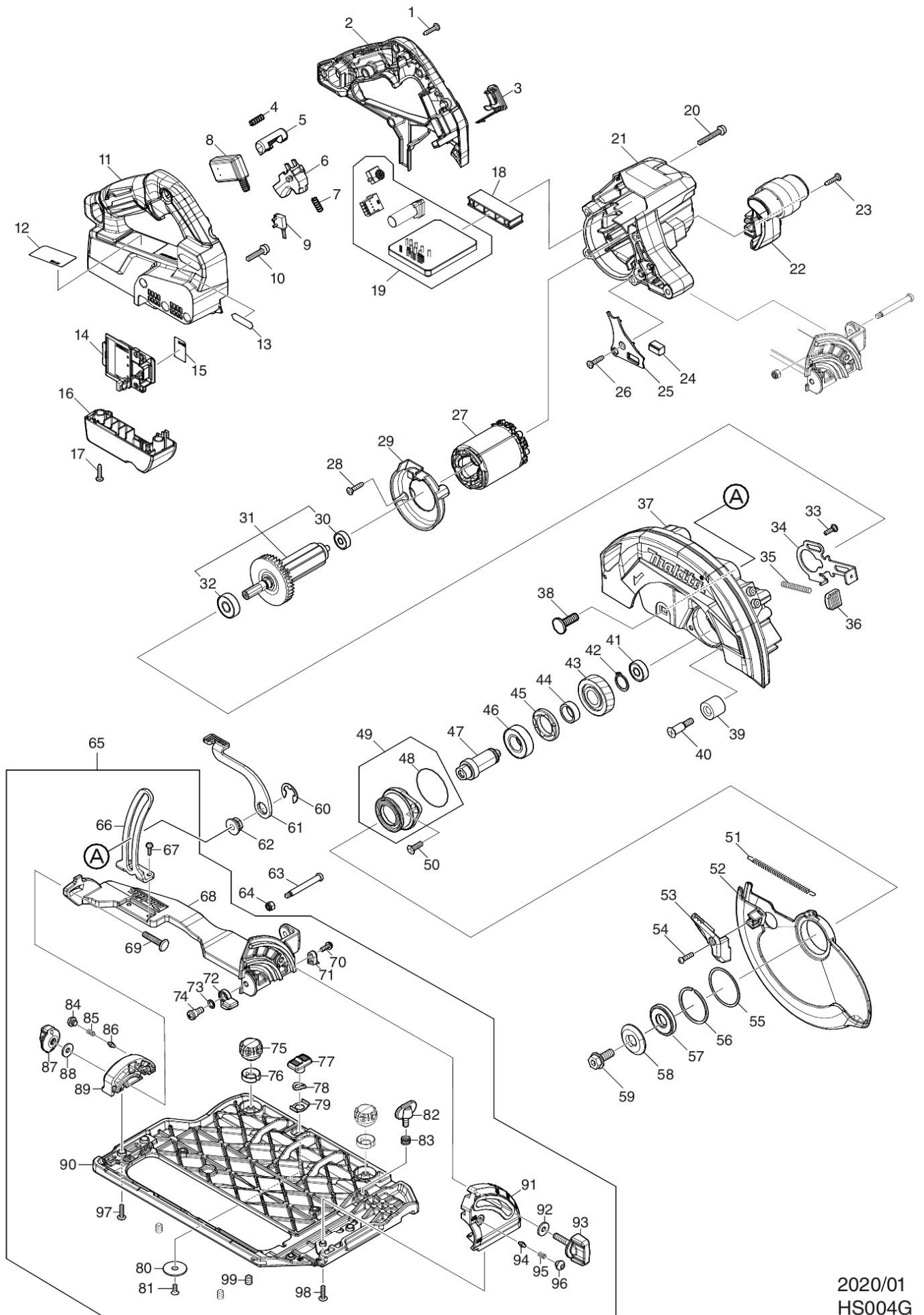


Partdrawing for HS004GZ01 - Cirkelzaag



2020/01
HS004G