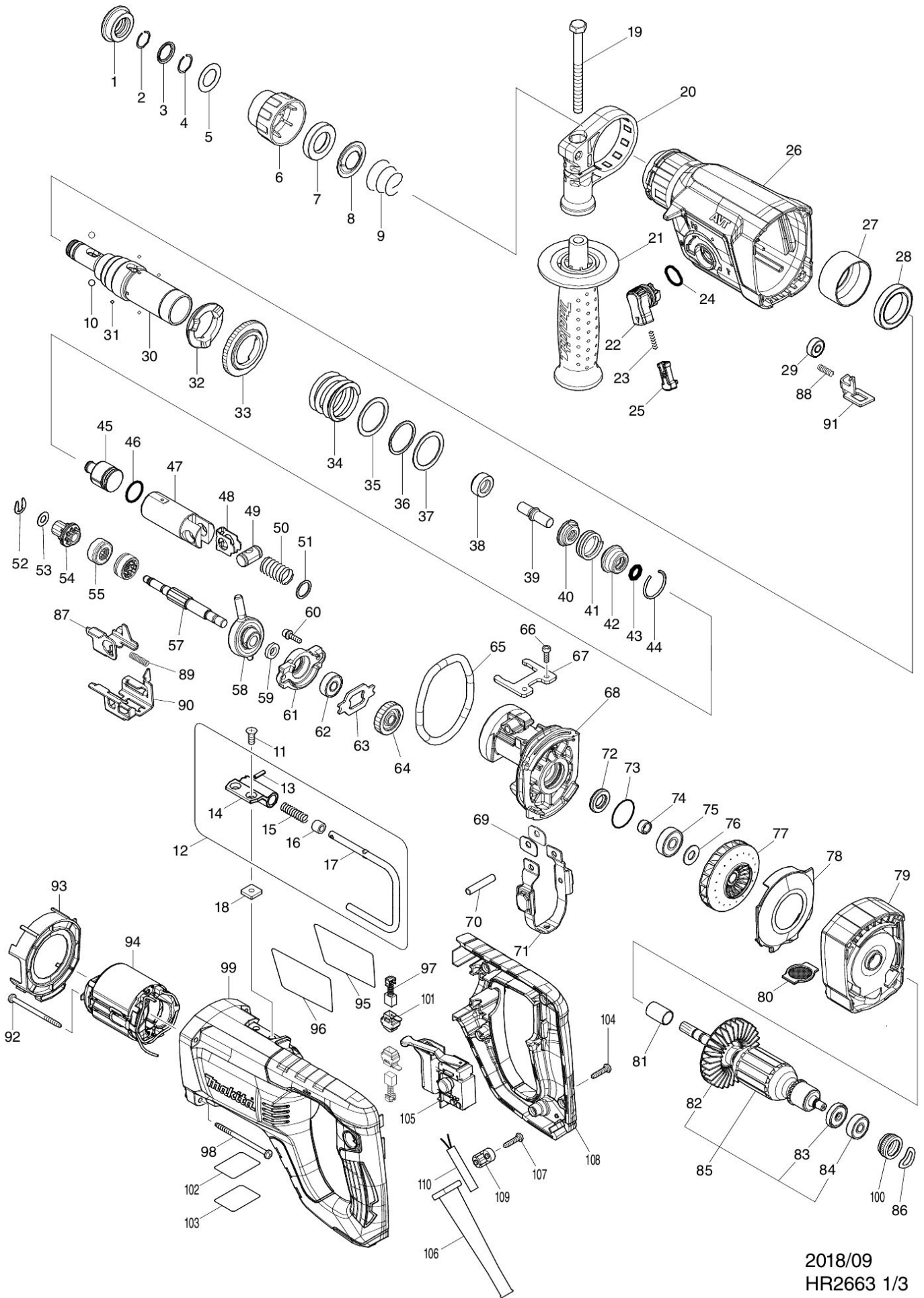


Partdrawing for HR2663 - Machine



2018/09
HR2663 1/3

112

