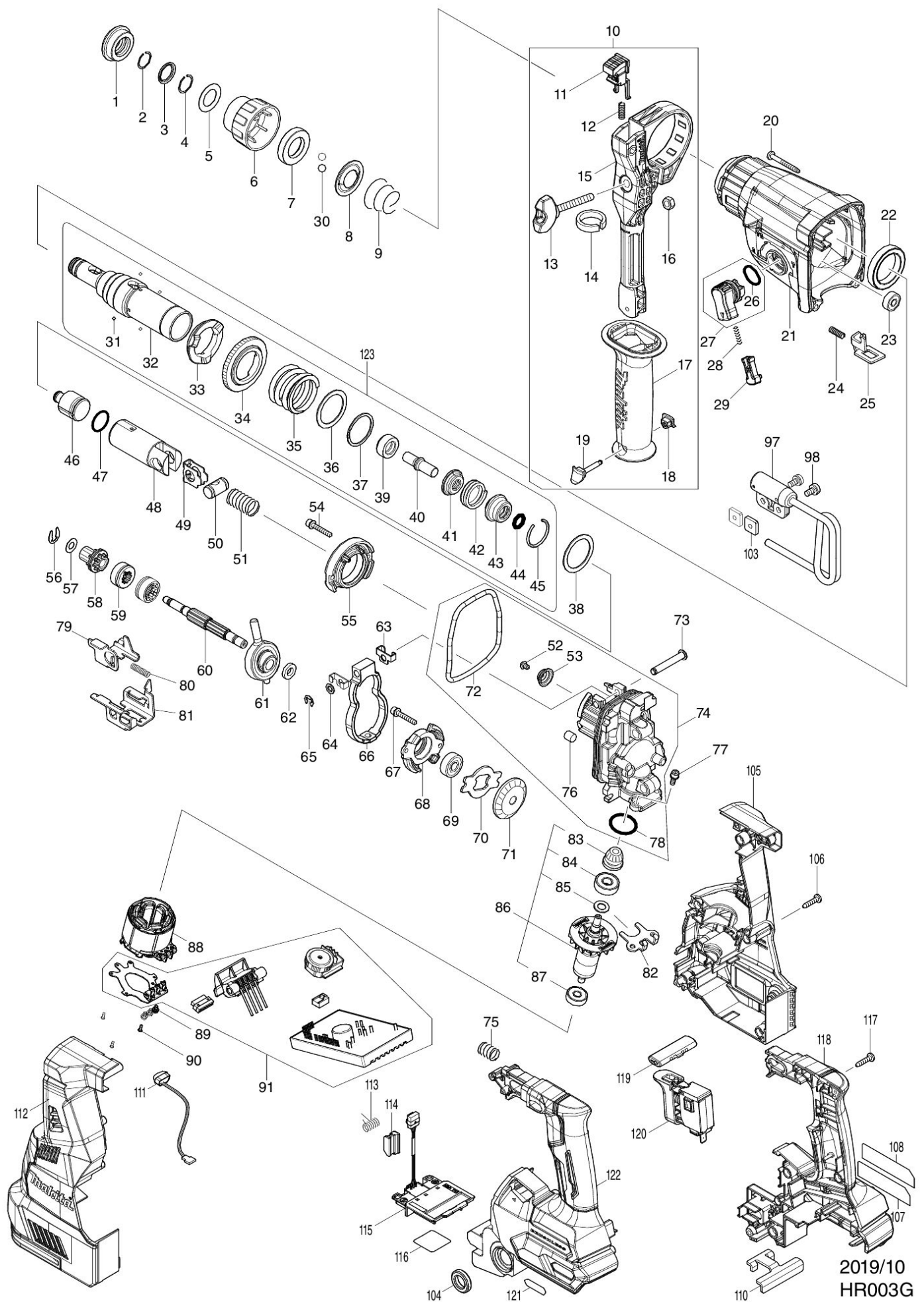


# Partdrawing for HR003GZ02 - Combihamer



2019/10  
HR003G