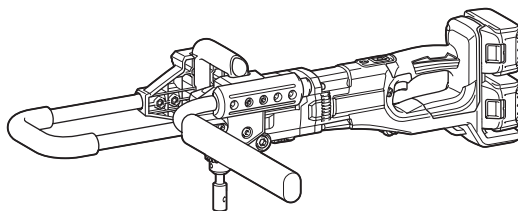
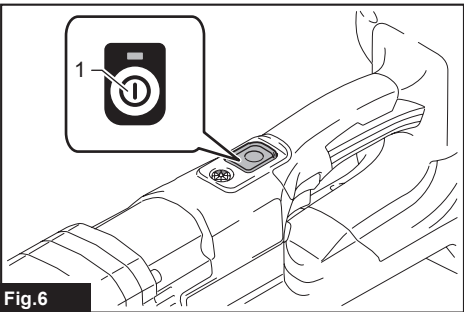
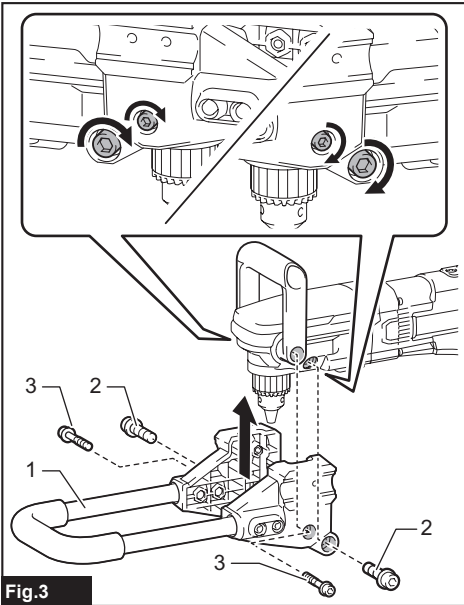
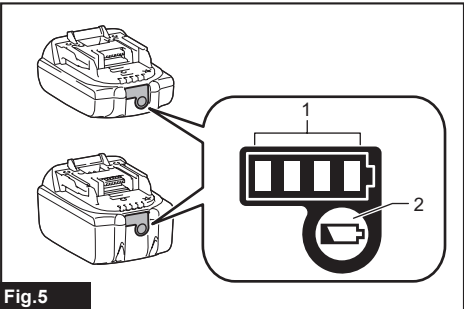
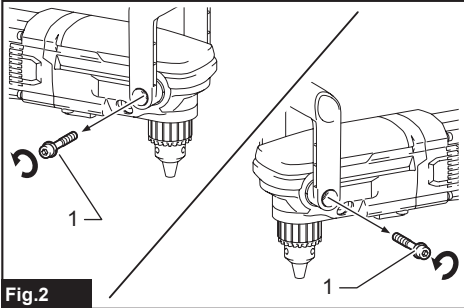
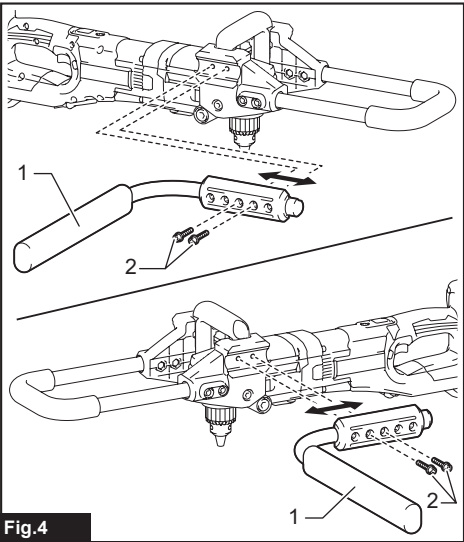
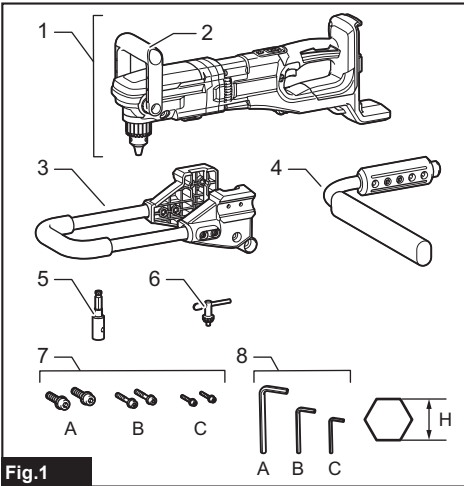




<b>EN</b>	<b>Cordless Earth Auger</b>	<b>INSTRUCTION MANUAL</b>	<b>5</b>
<b>FR</b>	<b>Tarière sans fil</b>	<b>MANUEL D'INSTRUCTIONS</b>	<b>12</b>
<b>DE</b>	<b>Akku-Erdbohrer</b>	<b>BETRIEBSANLEITUNG</b>	<b>20</b>
<b>IT</b>	<b>Trivella a batteria</b>	<b>ISTRUZIONI PER L'USO</b>	<b>28</b>
<b>NL</b>	<b>Accugrondboor</b>	<b>GEBRUIKSAANWIJZING</b>	<b>36</b>
<b>ES</b>	<b>Ahoyadora Inalámbrica</b>	<b>MANUAL DE INSTRUCCIONES</b>	<b>44</b>
<b>PT</b>	<b>Perfurador de Solo a Bateria</b>	<b>MANUAL DE INSTRUÇÕES</b>	<b>52</b>
<b>DA</b>	<b>Akku jordbor</b>	<b>BRUGSANVISNING</b>	<b>59</b>
<b>EL</b>	<b>Φορητό γεωτρήπανο</b>	<b>ΕΓΧΕΙΡΙΔΙΟ ΟΔΗΓΙΩΝ</b>	<b>66</b>
<b>TR</b>	<b>Akülü Toprak Burgu Makinesi</b>	<b>KULLANMA KILAVUZU</b>	<b>74</b>

## DDG460





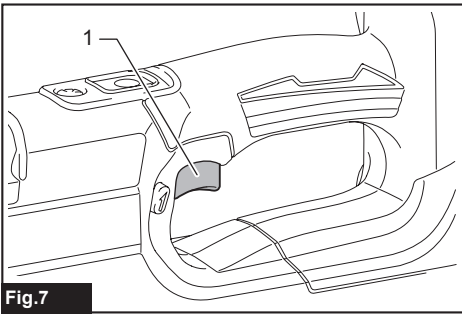


Fig.7

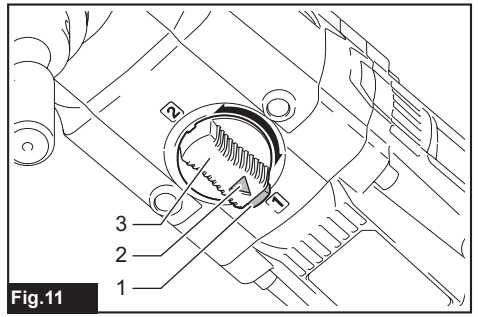


Fig.11

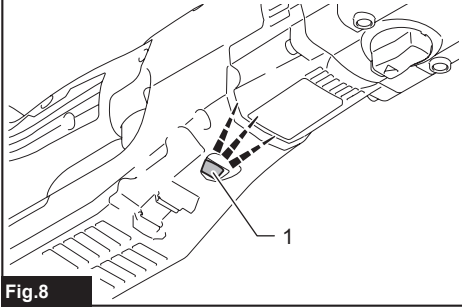


Fig.8

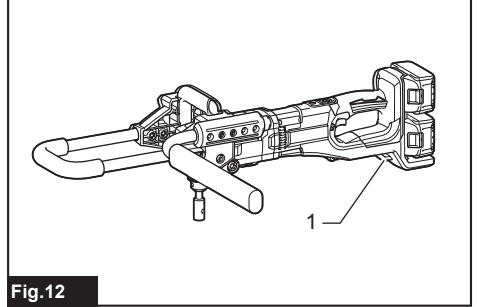


Fig.12

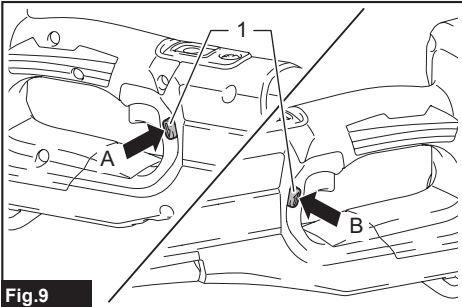


Fig.9

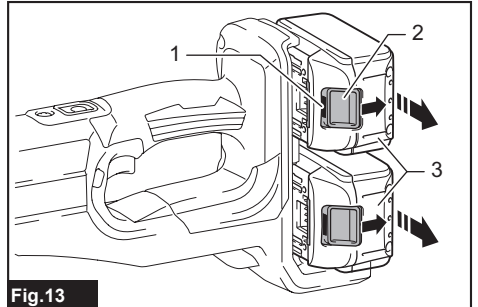


Fig.13

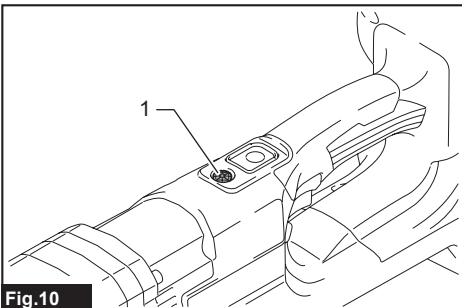


Fig.10

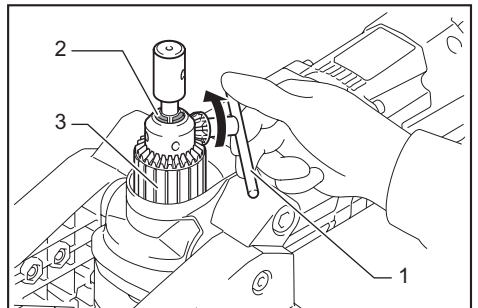
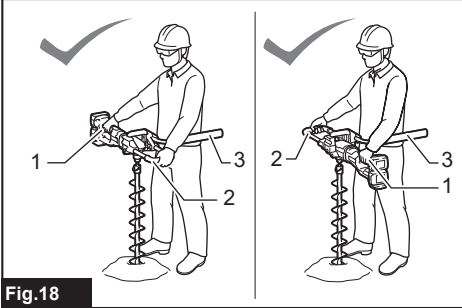
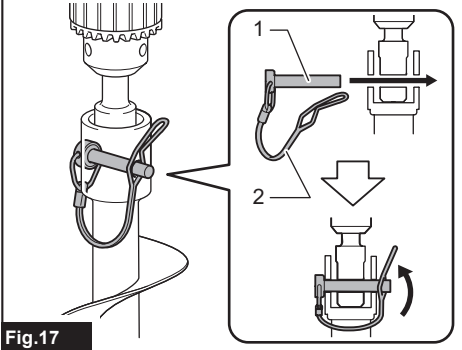
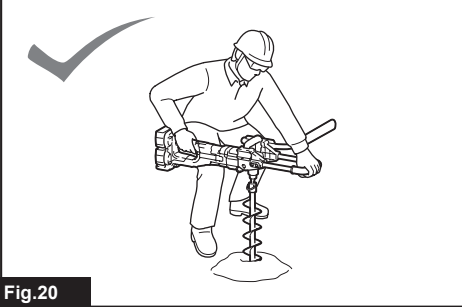
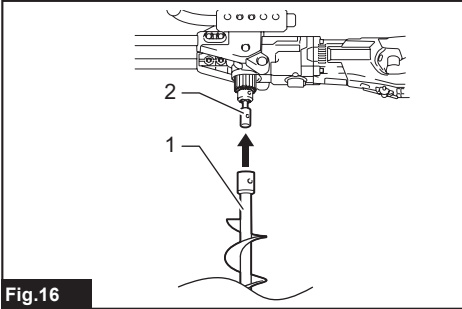
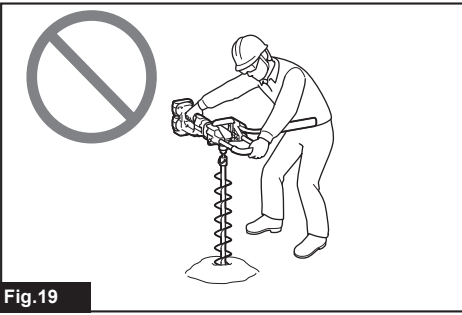
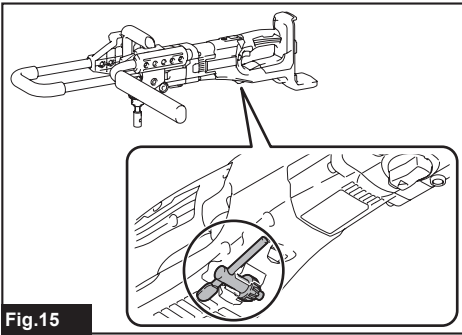


Fig.14



## SPECIFICATIONS

Model:		DDG460
No load speed	High	0 - 1,400 min <sup>-1</sup>
	Low	0 - 350 min <sup>-1</sup>
Drilling capacities (Diameter)	High	For sandy soil: ø60 mm For clay soil: ø60 mm
	Low	For sandy soil: ø200 mm For clay soil: ø150 mm
Overall length		840 mm
Rated voltage		D.C. 36 V
Net weight		7.3 - 8.2 kg

- Due to our continuing program of research and development, the specifications herein are subject to change without notice.
- Specifications may differ from country to country.
- The weight may differ depending on the attachment(s), including the battery cartridge. The lightest and heaviest combinations, according to EPTA-Procedure 01/2014, are shown in the table.

### Applicable battery cartridge and charger

Battery cartridge	BL1815N / BL1820B / BL1830B / BL1840B / BL1850B / BL1860B
Charger	DC18RC / DC18RD / DC18RE / DC18SD / DC18SE / DC18SF / DC18SH / DC18WC

- Some of the battery cartridges and chargers listed above may not be available depending on your region of residence.

**⚠WARNING:** Only use the battery cartridges and chargers listed above. Use of any other battery cartridges and chargers may cause injury and/or fire.

### Recommended cord connected power source

Portable power pack	PDC01 / PDC1200
---------------------	-----------------

- The cord connected power source(s) listed above may not be available depending on your region of residence.
- Before using the cord connected power source, read instruction and cautionary markings on them.

### Intended use

The tool is intended for drilling the ground.

### Noise

The typical A-weighted noise level determined according to EN62841-2-1:

Sound pressure level ( $L_{pA}$ ) : 85 dB (A)

Sound power level ( $L_{WA}$ ) : 96 dB (A)

Uncertainty (K) : 3 dB (A)

**NOTE:** The declared noise emission value(s) has been measured in accordance with a standard test method and may be used for comparing one tool with another.

**NOTE:** The declared noise emission value(s) may also be used in a preliminary assessment of exposure.

**⚠WARNING:** Wear ear protection.

**⚠WARNING:** The noise emission during actual use of the power tool can differ from the declared value(s) depending on the ways in which the tool is used especially what kind of workpiece is processed.

**⚠WARNING:** Be sure to identify safety measures to protect the operator that are based on an estimation of exposure in the actual conditions of use (taking account of all parts of the operating cycle such as the times when the tool is switched off and when it is running idle in addition to the trigger time).

### Vibration

The vibration total value (tri-axial vector sum) determined according to EN62841-2-1:  
Vibration emission ( $a_{h,D}$ ) : 2.5 m/s<sup>2</sup> or less  
Uncertainty (K) : 1.5 m/s<sup>2</sup>

**NOTE:** The declared vibration total value(s) has been measured in accordance with a standard test method and may be used for comparing one tool with another.

**NOTE:** The declared vibration total value(s) may also be used in a preliminary assessment of exposure.

**⚠WARNING:** The vibration emission during actual use of the power tool can differ from the declared value(s) depending on the ways in which the tool is used especially what kind of workpiece is processed.

**⚠WARNING:** Be sure to identify safety measures to protect the operator that are based on an estimation of exposure in the actual conditions of use (taking account of all parts of the operating cycle such as the times when the tool is switched off and when it is running idle in addition to the trigger time).

## EC Declaration of Conformity

### For European countries only

The EC declaration of conformity is included as Annex A to this instruction manual.

## SAFETY WARNINGS

### General power tool safety warnings

**⚠WARNING:** Read all safety warnings, instructions, illustrations and specifications provided with this power tool. Failure to follow all instructions listed below may result in electric shock, fire and/or serious injury.

### Save all warnings and instructions for future reference.

The term "power tool" in the warnings refers to your mains-operated (corded) power tool or battery-operated (cordless) power tool.

### Cordless Earth Auger safety warnings

1. **Hold the tool with both hands at the intended handles.** Loss of control can cause personal injury.
2. **Brace the tool properly before use.** This tool produces a high output torque and without properly bracing the tool during operation, loss of control may occur resulting in personal injury.
3. **Hold the power tool by insulated gripping surfaces, when performing an operation where the digging accessory may contact hidden wiring.** Digging accessory contacting a "live" wire may make exposed metal parts of the power tool "live" and could give the operator an electric shock.
4. **Never operate at higher speed than the maximum speed rating of the earth augering bit.** At higher speeds, the bit is likely to bend if allowed to rotate freely without contacting the workpiece, resulting in personal injury.

5. **Always start earth augering at low speed and with the earth augering tip in contact with the ground.** At higher speeds, the bit is likely to bend if allowed to rotate freely without contacting the ground, resulting in personal injury.
6. **Apply pressure only in direct line with the bit and do not apply excessive pressure.** Bits can bend causing breakage or loss of control, resulting in personal injury.
7. **The outside diameter of the auger bit must be within the drilling capacity specified in this instruction manual.** Incorrectly sized auger bit cannot be adequately controlled.
8. **Always be sure you have a firm footing. Be sure no one is below when using the tool in high locations.**
9. **Hold the tool firmly.**
10. **Keep hands away from rotating parts.**
11. **Do not leave the tool running. Operate the tool only when hand-held.**
12. **Do not touch the auger bit immediately after operation; it may be extremely hot and could burn your skin.**
13. **Some material contains chemicals which may be toxic. Take caution to prevent dust inhalation and skin contact. Follow material supplier safety data.**
14. **If the auger bit cannot be loosened even you remove the auger pin, use pliers to pull it out.** In such a case, pulling out the auger bit by hand may result in injury by its sharp edge.
15. **If something wrong with the tool such as abnormal sounds, stop operating immediately and ask your local Makita Service Center for repair.**
16. **Before operation, make sure that there is no buried object such as electric pipe, water pipe or gas pipe in the ground.** Otherwise, the tool may touch them, resulting an electric shock, electrical leakage or gas leak.

## SAVE THESE INSTRUCTIONS.

**⚠WARNING:** DO NOT let comfort or familiarity with product (gained from repeated use) replace strict adherence to safety rules for the subject product. MISUSE or failure to follow the safety rules stated in this instruction manual may cause serious personal injury.

### Important safety instructions for battery cartridge

1. **Before using battery cartridge, read all instructions and cautionary markings on (1) battery charger, (2) battery, and (3) product using battery.**
2. **Do not disassemble or tamper with the battery cartridge.** It may result in a fire, excessive heat, or explosion.
3. **If operating time has become excessively shorter, stop operating immediately. It may result in a risk of overheating, possible burns and even an explosion.**
4. **If electrolyte gets into your eyes, rinse them out with clear water and seek medical attention right away. It may result in loss of your eyesight.**

5. **Do not short the battery cartridge:**
  - (1) **Do not touch the terminals with any conductive material.**
  - (2) **Avoid storing battery cartridge in a container with other metal objects such as nails, coins, etc.**
  - (3) **Do not expose battery cartridge to water or rain. A battery short can cause a large current flow, overheating, possible burns and even a breakdown.**
6. **Do not store and use the tool and battery cartridge in locations where the temperature may reach or exceed 50 °C (122 °F).**
7. **Do not incinerate the battery cartridge even if it is severely damaged or is completely worn out. The battery cartridge can explode in a fire.**
8. **Do not nail, cut, crush, throw, drop the battery cartridge, or hit against a hard object to the battery cartridge.** Such conduct may result in a fire, excessive heat, or explosion.
9. **Do not use a damaged battery.**
10. **The contained lithium-ion batteries are subject to the Dangerous Goods Legislation requirements.** For commercial transports e.g. by third parties, forwarding agents, special requirement on packaging and labeling must be observed. For preparation of the item being shipped, consulting an expert for hazardous material is required. Please also observe possibly more detailed national regulations. Tape or mask off open contacts and pack up the battery in such a manner that it cannot move around in the packaging.
11. **When disposing the battery cartridge, remove it from the tool and dispose of it in a safe place. Follow your local regulations relating to disposal of battery.**
12. **Use the batteries only with the products specified by Makita.** Installing the batteries to non-compliant products may result in a fire, excessive heat, explosion, or leak of electrolyte.
13. **If the tool is not used for a long period of time, the battery must be removed from the tool.**
14. **During and after use, the battery cartridge may take on heat which can cause burns or low temperature burns. Pay attention to the handling of hot battery cartridges.**
15. **Do not touch the terminal of the tool immediately after use as it may get hot enough to cause burns.**
16. **Do not allow chips, dust, or soil stuck into the terminals, holes, and grooves of the battery cartridge.** It may cause heating, catching fire, burst and malfunction of the tool or battery cartridge, resulting in burns or personal injury.
17. **Unless the tool supports the use near high-voltage electrical power lines, do not use the battery cartridge near high-voltage electrical power lines.** It may result in a malfunction or breakdown of the tool or battery cartridge.
18. **Keep the battery away from children.**

## SAVE THESE INSTRUCTIONS.

**CAUTION:** Only use genuine Makita batteries. Use of non-genuine Makita batteries, or batteries that have been altered, may result in the battery bursting causing fires, personal injury and damage. It will also void the Makita warranty for the Makita tool and charger.

## Tips for maintaining maximum battery life

1. Charge the battery cartridge before completely discharged. Always stop tool operation and charge the battery cartridge when you notice less tool power.
2. Never recharge a fully charged battery cartridge. Overcharging shortens the battery service life.
3. Charge the battery cartridge with room temperature at 10 °C - 40 °C (50 °F - 104 °F). Let a hot battery cartridge cool down before charging it.
4. When not using the battery cartridge, remove it from the tool or the charger.
5. Charge the battery cartridge if you do not use it for a long period (more than six months).

## INITIAL SETTING

**CAUTION:** Always be sure that the tool is switched off and the battery cartridge is removed before carrying out any work on the tool.

## PARTS DESCRIPTION

► Fig.1

1	Main tool	2	Front handle
3	Side handle	4	Reaction receiver
5	Bit adapter	6	Chuck key
7	Bolt	8	Wrench

### Specifications of the bolt / wrench

-	Nominal diameter of the bolt	Wrench size (H)
A	M 12	10 mm
B	M 8	6 mm
C	M 6	5 mm

**NOTE:** The type of the bit adapter varies depending on the country.

## Setting up the tool

**CAUTION:** Always be sure that the side handle and the reaction receiver are installed securely before operation.

**NOTICE:** Do not over tighten the bolts. It may damage the tool.

## Installing the side handle

Remove the bolts shown in the figure from the tool. The removed bolt is not needed for this tool if you want to use this tool as a cordless earth auger. Keep the bolts so that they are not lost.

► Fig.2: 1. Bolt

Place the side handle on the tool. Tighten the all four bolts temporarily, and then securely tighten the bolts using the wrench.

► Fig.3: 1. Side handle 2. Bolt A 3. Bolt B

## Installing the reaction receiver

Place the reaction receiver so that the bar of the reaction receiver comes to the left side of the operator.

Adjust the position of the reaction receiver so that the axis of the drill chuck is in the center of the operator's body.

Fasten the bolts firmly.

► **Fig.4:** 1. Bar of the reaction receiver 2. Bolt C

## FUNCTIONAL DESCRIPTION

**⚠ CAUTION:** Always be sure that the tool is switched off and the battery cartridge is removed before adjusting or checking function on the tool.

## Indicating the remaining battery capacity

*Only for battery cartridges with the indicator*

► **Fig.5:** 1. Indicator lamps 2. Check button

Press the check button on the battery cartridge to indicate the remaining battery capacity. The indicator lamps light up for a few seconds.

Indicator lamps			Remaining capacity
Lighted	Off	Blinking	
■	□	▧	75% to 100%
■ ■ ■ ■			
■ ■ ■ □			50% to 75%
■ ■ □ □			25% to 50%
■ □ □ □			0% to 25%
▧ □ □ □			Charge the battery.
■ ■ □ □			The battery may have malfunctioned.
□ □ ■ ■	↑ ↓		

**NOTE:** Depending on the conditions of use and the ambient temperature, the indication may differ slightly from the actual capacity.

**NOTE:** The first (far left) indicator lamp will blink when the battery protection system works.

## Tool / battery protection system

The tool is equipped with a tool/battery protection system. This system automatically cuts off power to the motor to extend tool and battery life. The tool will automatically stop during operation if the tool or battery is placed under one of the following conditions:

### Overload protection

When the tool/battery is operated in a manner that causes it to draw an abnormally high current, the tool stops automatically. In this situation, turn the tool off and stop the application that caused the tool to become overloaded. Then turn the tool on to restart.

### Overheat protection

When the tool/battery is overheated, the tool stops automatically. In this situation, let the tool/battery cool before turning the tool on again.

### Overdischarge protection

When the battery capacity is not enough, the tool stops automatically. In this case, remove the battery from the tool and charge the battery.

## Main power switch

**⚠ WARNING:** Always turn off the main power switch when not in use.

To stand by the tool, press the main power button until the main power lamp lights up. To turn off, press the main power button again.

► **Fig.6:** 1. Main power button

**NOTE:** This tool employs the auto power-off function. To avoid unintentional start up, the main power switch will automatically shut down when the switch trigger is not pulled for a certain period after the main power switch is turned on.

## Switch action

**⚠ CAUTION:** Before installing the battery cartridge into the tool, always check to see that the switch trigger actuates properly and returns to the "OFF" position when released.

► **Fig.7:** 1. Switch trigger

To start the tool, pull the switch trigger with the main power switch on. Tool speed is increased by increasing pressure on the switch trigger. Release the switch trigger to stop.

**NOTE:** The tool automatically stops if you keep pulling the switch trigger for about 6 minutes.



## Lighting up the front lamp

**CAUTION:** Do not look in the light or see the source of light directly.

► Fig.8: 1. Lamp

Pull the switch trigger to light up the lamp. The lamp keeps on lighting while the switch trigger is being pulled. The lamp goes out approximately 10 seconds after releasing the switch trigger.

**NOTE:** When the tool is overheated, the tool stops automatically and the lamp starts flashing. In this case, release the switch trigger. The lamp turns off in 5 minute.

**NOTE:** Use a dry cloth to wipe the dirt off the lens of the lamp. Be careful not to scratch the lens of lamp, or it may lower the illumination.

## Reversing switch action

**CAUTION:** Always check the direction of rotation before operation.

**CAUTION:** Use the reversing switch only after the tool comes to a complete stop. Changing the direction of rotation before the tool stops may damage the tool.

**CAUTION:** When not operating the tool, always set the reversing switch lever to the neutral position.

This tool has a reversing switch to change the direction of rotation. Depress the reversing switch lever from the A side for clockwise rotation or from the B side for counterclockwise rotation.

When the reversing switch lever is in the neutral position, the switch lever cannot be pulled.

► Fig.9: 1. Reversing switch lever




## Automatic speed change function

This tool has "high speed mode" and "high torque mode". The tool automatically changes the operation mode depending on the work load. When the work load is low, the tool will run in the "high speed mode" for quicker operation. When the work load is high, the tool will run in the "high torque mode" for powerful operation.

► Fig.10: 1. Mode indicator

The mode indicator lights up in green when the tool is running in "high torque mode".

If the tool is operated with excessive load, the mode indicator will blink in green. The mode indicator stops blinking and then lights up or turns off if you reduce the load on the tool.

Mode indicator status			Operation mode
● On	○ Off	● Blinking	
			High speed mode
			High torque mode
			Overload alert

## Speed change

**NOTICE:** Use the speed change knob only after the tool comes to a complete stop. Changing the tool speed before the tool stops may damage the tool.

**NOTICE:** Always set the speed change knob carefully into the correct position. If you operate the tool with the speed change knob positioned halfway between the position 1 and the position 2, the tool may be damaged.

Two speed ranges can be preselected with the speed change knob.

To change the speed, depress the lock button and turn the speed change knob so that the pointer points to the position 1 for low speed or the position 2 for high speed.

► Fig.11: 1. Lock button 2. Pointer 3. Speed change knob

## Torque limiter

The torque limiter will actuate when a certain torque level is reached at the low speed setting (position 1). The motor will disengage from the output shaft. When this happens, the drill bit will stop turning.

## Strap hole

**WARNING:** Do not use the strap hole for any other purpose than hanging the tool or than anti-theft of the tool. Otherwise personal injury may occur.

► Fig.12: 1. Strap hole

## ASSEMBLY

### Installing or removing battery cartridge

**CAUTION:** Always switch off the tool before installing or removing of the battery cartridge.

**CAUTION:** Hold the tool and the battery cartridge firmly when installing or removing battery cartridge. Failure to hold the tool and the battery cartridge firmly may cause them to slip off your hands and result in damage to the tool and battery cartridge and a personal injury.

► Fig.13: 1. Red indicator 2. Button 3. Battery cartridge

To remove the battery cartridge, slide it from the tool while sliding the button on the front of the cartridge.

To install the battery cartridge, align the tongue on the battery cartridge with the groove in the housing and slip it into place. Insert it all the way until it locks in place with a little click. If you can see the red indicator as shown in the figure, it is not locked completely.

**⚠ CAUTION:** Always install the battery cartridge fully until the red indicator cannot be seen. If not, it may accidentally fall out of the tool, causing injury to you or someone around you.

**⚠ CAUTION:** Do not install the battery cartridge forcibly. If the cartridge does not slide in easily, it is not being inserted correctly.

## Mounting the auger bit

**⚠ CAUTION:** Always be sure that the tool is switched off and the battery cartridge is removed before carrying out any work on the tool.

**⚠ CAUTION:** When installing the bit adapter to the chuck, make sure that the bit adapter is fully inserted.

**⚠ CAUTION:** When attaching the auger bit to the bit adapter, make sure that the auger pin is locked and inspect the auger pin for any damages.

**⚠ CAUTION:** When carrying the tool, remove the auger bit from the tool.

## Installing or removing the bit adapter

To mount the auger bit, install the bit adapter in advance.

To install the bit adapter, place the bit adapter in the chuck as far as it will go. Tighten the chuck by rotating the sleeve by hand.

Place the chuck key in the chuck hole and tighten clockwise. Be sure to tighten all three chuck holes evenly.

To remove the bit adapter, turn the chuck key counter-clockwise in just one hole, then loosen the chuck by hand.

► **Fig.14:** 1. Chuck key 2. Chuck 3. Sleeve

After use, return the chuck key to the storage cavity on the tool as illustrated.

► **Fig.15**

## Mounting the auger bit on the bit adapter

**NOTE:** The shape and mechanism of the auger bit and the auger pin may vary depending on your auger bit.

Align the hole on the bit adapter with the hole on the auger bit.

Put the auger bit onto the bit adapter.

► **Fig.16:** 1. Auger bit 2. Bit adapter

Fix the auger bit with the auger pin and the safety lock.

► **Fig.17:** 1. Auger pin 2. Safety lock

## OPERATION

**⚠ CAUTION:** This is a powerful tool which generates high torque. It is important that the tool is securely held and properly braced.

**⚠ CAUTION:** Before operating, check that there is no foreign matter (sand, dirt, etc.) stuck in the openings or moving parts.

## Work posture

Maintaining proper operating position is one of the most important and effective procedures for controlling kickback.

Keep proper positioning by practicing the following points.

- Position the tool so that the bar of the reaction receiver always contacts on the left side of your waist.
- Grasp the handle and the side handle with both hands. Wrap your fingers around the gripping areas, keeping the gripping areas cradled between your thumbs and forefingers.
- Keep your back as vertical as possible by bending the legs as required during the digging process.
- Stay alert to the torque reaction force of the tool. Always keep the operating position that you can withstand the torque reaction force.

► **Fig.18:** 1. Handle 2. Side handle 3. Bar of the reaction receiver

**⚠ WARNING:** Avoid improper positioning. Do not stand too far from the tool. Proper reaction and control may not be achieved in the event of kickback.

► **Fig.19**

## Digging operation

**⚠ CAUTION:** Hold the tool firmly when operating the tool.

**⚠ CAUTION:** When leaving the tool, such as during a break, do not leave the tool stabbed in the ground or lean it against a wall. Store the tool in a stable condition.

**NOTICE:** When the rotation speed comes down extremely, reduce the load or stop the tool to avoid the tool damage.

**NOTICE:** Pressing excessively on the tool will not speed up the digging. In fact, this excessive pressure will only serve to damage the tip of the auger bit, decrease the tool performance and shorten the service life of the tool.

**NOTICE:** Avoid digging in material that you suspect contains hidden nails or other things that may cause the auger bit to bind or break.

**NOTICE:** If the tool is operated continuously until the battery cartridge has depleted, allow the tool to rest for 15 minutes before proceeding with a fresh battery.

- Select the speed (high/low) properly depending on the hole diameter and condition of the ground.
- When digging a deep hole or digging in clay soil, do not try to dig at once. Dig the hole by lifting up and down the tool so that the soil in the hole can be discharged.
- If the rotation speed of the tool slows down due to high load operation, lift the tool up little, and move the tool up and down to dig in small steps.

## When rotating the auger bit in reverse

A stuck auger bit can be removed simply by setting the reversing switch to reverse rotation in order to back out. When reversing, brace the tool by your body to prevent a clockwise reaction.

► Fig.20

**⚠ CAUTION:** Hold the tool firmly. The tool may back out abruptly and cause an injury.

## MAINTENANCE

**⚠ CAUTION:** Always be sure that the tool is switched off and the battery cartridge is removed before attempting to perform inspection or maintenance.

**NOTICE:** Never use gasoline, benzine, thinner, alcohol or the like. Discoloration, deformation or cracks may result.

To maintain product SAFETY and RELIABILITY, repairs, any other maintenance or adjustment should be performed by Makita Authorized or Factory Service Centers, always using Makita replacement parts.

## OPTIONAL ACCESSORIES

**⚠ CAUTION:** These accessories or attachments are recommended for use with your Makita tool specified in this manual. The use of any other accessories or attachments might present a risk of injury to persons. Only use accessory or attachment for its stated purpose.

If you need any assistance for more details regarding these accessories, ask your local Makita Service Center.

- Auger bits
- Bit adapter
- Makita genuine battery and charger

**NOTE:** Some items in the list may be included in the tool package as standard accessories. They may differ from country to country.

## SPÉCIFICATIONS

Modèle :		DDG460
Vitesse à vide	Élevée	0 - 1 400 min <sup>-1</sup>
	Basse	0 - 350 min <sup>-1</sup>
Capacités de perçage (Diamètre)	Élevée	Pour les sols sablonneux : ø60 mm Pour les sols argileux : ø60 mm
	Basse	Pour les sols sablonneux : ø200 mm Pour les sols argileux : ø150 mm
Longueur totale		840 mm
Tension nominale		36 V CC
Poids net		7,3 - 8,2 kg

- Étant donné l'évolution constante de notre programme de recherche et de développement, les spécifications contenues dans ce manuel sont sujettes à modification sans préavis.
- Les spécifications peuvent varier suivant les pays.
- Le poids peut être différent selon les accessoires, notamment la batterie. Les associations la plus légère et la plus lourde, conformément à la procédure EPTA 01/2014, sont indiquées dans le tableau.

### Batterie et chargeur applicables

Batterie	BL1815N / BL1820B / BL1830B / BL1840B / BL1850B / BL1860B
Chargeur	DC18RC / DC18RD / DC18RE / DC18SD / DC18SE / DC18SF / DC18SH / DC18WC

- Certains chargeurs et batteries répertoriés ci-dessus peuvent ne pas être disponibles selon la région où vous résidez.

**⚠ AVERTISSEMENT : N'utilisez que les batteries et les chargeurs répertoriés ci-dessus.** L'utilisation d'autres batteries et chargeurs peut provoquer des blessures et/ou un incendie.

### Source d'alimentation connectée par cordon recommandée

Support d'alimentation portable	PDC01 / PDC1200
---------------------------------	-----------------

- La ou les sources d'alimentation connectées par cordon répertoriées ci-dessus peuvent ne pas être disponibles selon la région où vous résidez.
- Avant d'utiliser la source d'alimentation connectée par cordon, lisez les instructions et les avertissements inscrits dessus.

### Utilisations

L'outil est conçu pour percer le sol.

### Bruit

Niveau de bruit pondéré A typique, déterminé selon EN62841-2-1 :

Niveau de pression sonore ( $L_{pA}$ ) : 85 dB (A)

Niveau de puissance sonore ( $L_{WA}$ ) : 96 dB (A)

Incertitude (K) : 3 dB (A)

**NOTE :** La ou les valeurs d'émission de bruit déclarées ont été mesurées conformément à la méthode de test standard et peuvent être utilisées pour comparer les outils entre eux.

**NOTE :** La ou les valeurs d'émission de bruit déclarées peuvent aussi être utilisées pour l'évaluation préliminaire de l'exposition.

**⚠ AVERTISSEMENT :** Portez un serre-tête antibruit.

**⚠ AVERTISSEMENT :** L'émission de bruit lors de l'usage réel de l'outil électrique peut être différente de la ou des valeurs déclarées, suivant la façon dont l'outil est utilisé, particulièrement selon le type de pièce usinée.

**⚠ AVERTISSEMENT :** Les mesures de sécurité à prendre pour protéger l'utilisateur doivent être basées sur une estimation de l'exposition dans des conditions réelles d'utilisation (en tenant compte de toutes les composantes du cycle d'utilisation, comme par exemple le moment de sa mise hors tension, lorsqu'il tourne à vide et le moment de son déclenchement).

## Vibrations

Valeur totale de vibrations (somme de vecteur triaxial) déterminée selon EN62841-2-1 :  
Émission de vibrations ( $a_{h,D}$ ) : 2,5 m/s<sup>2</sup> ou moins  
Incertitude (K) : 1,5 m/s<sup>2</sup>

**NOTE** : La ou les valeurs de vibration totales déclarées ont été mesurées conformément à la méthode de test standard et peuvent être utilisées pour comparer les outils entre eux.

**NOTE** : La ou les valeurs de vibration totales déclarées peuvent aussi être utilisées pour l'évaluation préliminaire de l'exposition.

**⚠ AVERTISSEMENT** : L'émission de vibrations lors de l'usage réel de l'outil électrique peut être différente de la ou des valeurs déclarées, suivant la façon dont l'outil est utilisé, particulièrement selon le type de pièce usinée.

**⚠ AVERTISSEMENT** : Les mesures de sécurité à prendre pour protéger l'utilisateur doivent être basées sur une estimation de l'exposition dans des conditions réelles d'utilisation (en tenant compte de toutes les composantes du cycle d'utilisation, comme par exemple le moment de sa mise hors tension, lorsqu'il tourne à vide et le moment de son déclenchement).

## Déclaration de conformité CE

*Pour les pays européens uniquement*

La déclaration de conformité CE est fournie en Annexe A à ce mode d'emploi.

## CONSIGNES DE SÉCURITÉ

### Consignes de sécurité générales pour outils électriques

**⚠ AVERTISSEMENT** : Veuillez lire les consignes de sécurité, instructions, illustrations et spécifications qui accompagnent cet outil électrique. Le non-respect de toutes les instructions indiquées ci-dessous peut entraîner une électrocution, un incendie et/ou de graves blessures.

### Conservez toutes les mises en garde et instructions pour référence ultérieure.

Le terme « outil électrique » dans les avertissements fait référence à l'outil électrique alimenté par le secteur (avec cordon d'alimentation) ou à l'outil électrique fonctionnant sur batterie (sans cordon d'alimentation).

## Consignes de sécurité pour tarière sans fil

- Tenez l'outil des deux mains par les poignées prévues.** Toute perte de maîtrise de l'outil comporte un risque de blessure.
- Calez correctement l'outil avant de l'utiliser.** Cet outil produit un couple de sortie élevé et s'il n'est pas correctement calé pendant l'utilisation, vous risquerez d'en perdre le contrôle, ce qui présente un risque de blessure.
- Tenez l'outil électrique par des surfaces de prise isolées lorsque vous effectuez une tâche au cours de laquelle l'accessoire d'excavation peut entrer en contact avec des fils cachés.** Le contact de l'accessoire d'excavation avec un fil sous tension peut transmettre du courant dans les pièces métalliques exposées de l'outil électrique et électrocuter l'utilisateur.
- Ne faites jamais fonctionner l'outil à une vitesse supérieure à la vitesse nominale maximale du foret pour tarière.** À une vitesse plus élevée, le foret risque de se tordre s'il lui est permis de tourner librement sans toucher la pièce, ce qui présente un risque de blessure.
- Commencez toujours le forage à basse vitesse avec la pointe du foret pour tarière en contact avec le sol.** À une vitesse plus élevée, le foret risque de se tordre s'il lui est permis de tourner librement sans toucher le sol, ce qui présente un risque de blessure.
- Appliquez une pression uniquement en ligne directe avec le foret et n'exercez pas une pression excessive.** Les forets peuvent se tordre et se casser ou provoquer la perte de contrôle, ce qui présente un risque de blessure.
- Le diamètre externe de la mèche hélicoïdale doit être de la capacité de perçage spécifiée dans ce manuel d'instructions.** La maîtrise d'une mèche hélicoïdale de format incorrect ne peut être garantie.
- Assurez-vous toujours de travailler en position stable.** Veillez à ce que personne ne se trouve en dessous de vous quand vous utilisez l'outil en hauteur.
- Tenez l'outil fermement.**
- Gardez les mains éloignées des pièces en rotation.**
- Ne vous éloignez pas en laissant l'outil tourner.** Ne le faites fonctionner que lorsque vous l'avez bien en main.
- Ne touchez pas la mèche hélicoïdale immédiatement après avoir terminé le travail ; elle peut être très chaude et vous brûler la peau.**
- Certains matériaux contiennent des produits chimiques qui peuvent être toxiques.** Prenez garde de ne pas avaler la poussière et évitez tout contact avec la peau. Suivez les données de sécurité du fournisseur du matériau.
- Si la mèche hélicoïdale ne peut pas être desserrée même en retirant la goupille fendue, utilisez des pinces pour l'extirper.** Le bord tranchant de la mèche hélicoïdale risque de vous blesser si vous essayez de l'extirper manuellement.

15. En cas d'anomalie de l'outil comme des bruits inhabituels, cessez immédiatement de l'utiliser et sollicitez une réparation à votre centre d'entretien local Makita.
16. Avant utilisation, assurez-vous qu'aucun objet comme des conduites électriques, des tuyaux d'eau ou de gaz ne sont enterrés dans le sol. Sinon, l'outil peut entrer en contact avec un tel objet, ce qui peut entraîner une électrocution, une fuite électrique ou une fuite de gaz.

## CONSERVEZ CES INSTRUCTIONS.

**⚠AVERTISSEMENT** : NE vous laissez PAS tromper (au fil d'une utilisation répétée) par un sentiment d'aisance et de familiarité avec le produit, en négligeant le respect rigoureux des consignes de sécurité qui accompagnent le produit en question. La MAUVAISE UTILISATION de l'outil ou l'ignorance des consignes de sécurité indiquées dans ce mode d'emploi peut entraîner de graves blessures.

### Consignes de sécurité importantes pour la batterie

1. Avant d'utiliser la batterie, lisez toutes les instructions et précautions relatives (1) au chargeur de batterie, (2) à la batterie, et (3) au produit utilisant la batterie.
2. Ne désassemblez pas et ne modifiez pas la batterie. Cela pourrait entraîner un incendie, une chaleur excessive ou une explosion.
3. Cessez immédiatement l'utilisation si le temps de fonctionnement devient excessivement court. Il y a risque de surchauffe, de brûlures, voire d'explosion.
4. Si l'électrolyte pénètre dans vos yeux, rincez-les à l'eau claire et consultez immédiatement un médecin. Il y a risque de perte de la vue.
5. Ne court-circuitez pas la batterie :
  - (1) Ne touchez les bornes avec aucun matériau conducteur.
  - (2) Évitez de ranger la batterie dans un conteneur avec d'autres objets métalliques, par exemple des clous, des pièces de monnaie, etc.
  - (3) N'exposez pas la batterie à l'eau ou à la pluie.

Un court-circuit de la batterie peut provoquer une intensité de courant élevée, une surchauffe, parfois des brûlures et même une panne.
6. Ne rangez ni n'utilisez l'outil et la batterie dans un endroit où la température risque d'atteindre ou de dépasser 50 °C.
7. Ne jetez pas la batterie au feu même si elle est sérieusement endommagée ou complètement épuisée. La batterie peut exploser au contact du feu.
8. Abstenez-vous de clouer, couper, écraser, jeter, laisser tomber la batterie, ou de la heurter contre un objet dur. Cela pourrait entraîner un incendie, une chaleur excessive ou une explosion.

9. N'utilisez pas la batterie si elle est endommagée.
10. Les batteries au lithium-ion contenues sont soumises aux exigences de la législation sur les marchandises dangereuses. Lors du transport commercial par des tierces parties ou des transitaires par exemple, des exigences spécifiques en matière d'étiquetage et d'emballage doivent être respectées. Pour la préparation de l'article expédié, il est nécessaire de consulter un expert en matériau dangereux. Veuillez également respecter les réglementations nationales susceptibles d'être plus détaillées. Recouvrez les contacts exposés avec du ruban adhésif ou du ruban de masquage et emballez la batterie de telle sorte qu'elle ne puisse pas bouger dans l'emballage.
11. Lors de la mise au rebut de la batterie, retirez-la de l'outil et jetez-la en lieu sûr. Suivez les réglementations locales en matière de mise au rebut des batteries.
12. Utilisez les batteries uniquement avec les produits spécifiés par Makita. L'insertion de batteries dans des produits non conformes peut provoquer un incendie, une chaleur excessive, une explosion ou une fuite de l'électrolyte.
13. Lorsque vous n'utilisez pas l'outil pendant une période prolongée, la batterie doit être retirée de l'outil.
14. Pendant et après l'utilisation, la batterie peut chauffer, ce qui peut entraîner des brûlures, y compris en cas de température relativement basse. Manipulez les batteries chaudes avec précaution.
15. Ne touchez pas la borne de l'outil immédiatement après utilisation car elle peut être assez chaude pour provoquer des brûlures.
16. Évitez que des copeaux, de la poussière ou du sol adhérent aux bornes, aux trous et aux rainures de la batterie. Cela peut provoquer un échauffement, un incendie, une explosion ou un dysfonctionnement de l'outil ou de la batterie, ce qui peut entraîner des brûlures ou des blessures.
17. À moins que l'outil prenne en charge un tel usage, n'utilisez pas la batterie à proximité de lignes électriques haute tension. Cela pourrait entraîner un dysfonctionnement ou casser l'outil ou la batterie.
18. Conservez la batterie hors de portée des enfants.

## CONSERVEZ CES INSTRUCTIONS.

**⚠ATTENTION** : N'utilisez que des batteries Makita d'origine. L'utilisation de batteries de marque autre que Makita ou de batteries modifiées peut provoquer l'explosion des batteries, ce qui présente un risque d'incendie, de dommages matériels et corporels. Cela annulera également la garantie Makita pour l'outil et le chargeur Makita.

## Conseils pour assurer la durée de vie optimale de la batterie

1. Chargez la batterie avant qu'elle ne soit complètement déchargée. Arrêtez toujours l'outil et rechargez la batterie quand vous remarquez que la puissance de l'outil diminue.
2. Ne rechargez jamais une batterie complètement chargée. La surcharge réduit la durée de service de la batterie.
3. Chargez la batterie à une température ambiante comprise entre 10 °C et 40 °C. Avant de charger une batterie chaude, laissez-la refroidir.
4. Lorsque vous n'utilisez pas la batterie, retirez-la de l'outil ou du chargeur.
5. Rechargez la batterie si elle est restée inutilisée pendant une période prolongée (plus de six mois).

## RÉGLAGE INITIAL

**⚠ ATTENTION :** Assurez-vous toujours que l'outil est hors tension et que sa batterie est retirée avant d'effectuer toute tâche dessus.

## DESCRIPTION DES PIÈCES

► Fig.1

1	Outil principal	2	Poignée avant
3	Poignée latérale	4	Récepteur de réaction
5	Adaptateur pour mèche	6	Clé de mandrin
7	Boulon	8	Clé

### Spécifications du boulon/de la clé

-	Diamètre nominal du boulon	Taille de la clé (H)
A	M 12	10 mm
B	M 8	6 mm
C	M 6	5 mm

**NOTE :** Le type de l'adaptateur pour mèche dépend du pays.

## Préparation de l'outil

**⚠ ATTENTION :** Avant utilisation, assurez-vous toujours que la poignée latérale et le récepteur de réaction sont solidement installés.

**REMARQUE :** Ne serrez pas excessivement les boulons. Vous risqueriez d'endommager l'outil.

## Installation de la poignée latérale

Retirez les boulons illustrés sur la figure de l'outil. Le boulon retiré n'est pas nécessaire si vous voulez utiliser cet outil comme tarière sans fil. Conservez les boulons de sorte qu'ils ne soient pas perdus.

► Fig.2: 1. Boulon

Placez la poignée latérale sur l'outil. Serrez provisoirement les quatre boulons, puis serrez-les solidement avec la clé.

► Fig.3: 1. Poignée latérale 2. Boulon A 3. Boulon B

## Installation du récepteur de réaction

Placez le récepteur de réaction de sorte que sa barre vienne sur le côté gauche de l'utilisateur. Ajustez la position du récepteur de réaction de sorte que l'axe du mandrin à foret soit au centre du corps de l'utilisateur.

Serrez fermement les boulons.

► Fig.4: 1. Barre du récepteur de réaction 2. Boulon C

## DESCRIPTION DU FONCTIONNEMENT

**⚠ ATTENTION :** Assurez-vous toujours que l'outil est hors tension et que sa batterie est retirée avant de l'ajuster ou de vérifier son fonctionnement.

## Indication de la charge restante de la batterie

*Uniquement pour les batteries avec voyant lumineux*

► Fig.5: 1. Témoins 2. Bouton de vérification

Appuyez sur le bouton de vérification sur la batterie pour indiquer la charge restante de la batterie. Les témoins s'allument pendant quelques secondes.

Témoins			Charge restante
Allumé	Éteint	Clignotant	
■ ■ ■ ■	□ □ □ □	□ □ □ □	75 % à 100 %
■ ■ ■ □	□ □ □ □	□ □ □ □	50 % à 75 %
■ ■ □ □	□ □ □ □	□ □ □ □	25 % à 50 %
■ □ □ □	□ □ □ □	□ □ □ □	0 % à 25 %
■ □ □ □	□ □ □ □	□ □ □ □	Chargez la batterie.
■ □ □ □	□ □ □ □	□ □ □ □	
■ □ □ □	□ □ □ □	□ □ □ □	Anomalie possible de la batterie.
■ □ □ □	□ □ □ □	□ □ □ □	

**NOTE :** Selon les conditions d'utilisation et la température ambiante, l'indication peut être légèrement différente de la capacité réelle.

**NOTE :** Le premier témoin (complètement à gauche) clignotera pendant le fonctionnement du système de protection de la batterie.

## Système de protection de l'outil/la batterie

L'outil est équipé d'un système de protection de l'outil/la batterie. Ce système coupe automatiquement l'alimentation vers le moteur pour prolonger la durée de vie de l'outil et de la batterie. Si l'outil ou la batterie se trouve dans l'une des situations suivantes, l'outil cessera automatiquement de fonctionner.

### Protection contre la surcharge

Lorsque l'outil/la batterie est utilisé(e) d'une manière provoquant un appel de courant anormalement élevé, l'outil s'arrête automatiquement. Dans ce cas, éteignez l'outil et arrêtez la tâche ayant provoqué la surcharge de l'outil. Puis rallumez l'outil pour reprendre la tâche.

### Protection contre la surchauffe

En cas de surchauffe de l'outil ou de la batterie, l'outil s'arrête automatiquement. Dans ce cas, laissez l'outil ou la batterie refroidir avant de rallumer l'outil.

### Protection contre la décharge totale de la batterie

Lorsque la charge de la batterie est insuffisante, l'outil s'arrête automatiquement. Dans ce cas, retirez la batterie de l'outil et chargez-la.

## Interrupteur d'alimentation principale

**AVERTISSEMENT** : Lorsque vous n'utilisez pas l'outil, mettez-le toujours hors tension avec l'interrupteur d'alimentation principale.

Pour mettre l'outil en veille, maintenez enfoncé le bouton d'alimentation principale jusqu'à ce que la lampe d'alimentation principale s'allume. Pour mettre l'outil hors tension, appuyez à nouveau sur le bouton d'alimentation principale.

► Fig.6: 1. Bouton d'alimentation principale

**NOTE** : Cet outil dispose d'une fonction de mise hors tension automatique. Pour éviter tout démarrage intempestif, l'interrupteur d'alimentation principale effectue automatiquement une mise hors tension lorsque la gâchette n'est pas enclenchée pendant un certain temps après actionnement de l'interrupteur d'alimentation principale.

## Fonctionnement de la gâchette

**ATTENTION** : Avant d'insérer la batterie dans l'outil, vérifiez toujours que la gâchette fonctionne bien et revient en position d'arrêt lorsque vous la relâchez.

► Fig.7: 1. Gâchette

Pour démarrer l'outil, enclenchez la gâchette avec l'interrupteur principale sur Marche. La vitesse de l'outil augmente à mesure que l'on accroît la pression exercée sur la gâchette. Pour l'arrêter, relâchez la gâchette.

**NOTE** : L'outil s'arrêtera automatiquement si vous continuez d'enclencher la gâchette pendant 6 minutes environ.

## Allumage de la lampe avant

**ATTENTION** : Évitez de regarder directement le faisceau lumineux ou sa source.

► Fig.8: 1. Lampe

Enclenchez la gâchette pour allumer la lampe. La lampe reste allumée tant que la gâchette est enclenchée. La lampe s'éteint environ 10 secondes après avoir relâché la gâchette.

**NOTE** : En cas de surchauffe de l'outil, celui-ci s'arrête automatiquement et la lampe se met à clignoter. Dans ce cas, relâchez la gâchette. La lampe s'éteint au bout de 5 minutes.

**NOTE** : Retirez la saleté sur la lentille de la lampe avec un chiffon sec. Prenez soin de ne pas érafler la lentille de la lampe sous peine de diminuer son éclairage.

## Fonctionnement de l'inverseur

**ATTENTION** : Vérifiez toujours le sens de rotation avant d'utiliser l'outil.

**ATTENTION** : N'utilisez l'inverseur qu'une fois que l'outil est complètement arrêté. Si vous changez le sens de rotation avant l'arrêt de l'outil, vous risquez de l'endommager.

**ATTENTION** : Lorsque vous n'utilisez pas l'outil, placez toujours le levier de l'inverseur en position neutre.

L'outil possède un inverseur qui permet de changer le sens de rotation. Enfoncez le levier de l'inverseur du côté A pour une rotation dans le sens des aiguilles d'une montre, ou du côté B pour une rotation dans le sens inverse des aiguilles d'une montre. Le levier interrupteur ne peut pas être enclenché si le levier inverseur se trouve en position neutre.

► Fig.9: 1. Levier de l'inverseur

## Fonction de changement automatique de vitesse

Cet outil est pourvu d'un « mode grande vitesse » et d'un « mode couple élevé ».




L'outil change automatiquement de mode de fonctionnement en fonction de la charge de travail. Lorsque la charge de travail est faible, l'outil fonctionne en « mode grande vitesse » pour permettre une opération plus rapide. Lorsque la charge de travail est élevée, l'outil fonctionne en « mode couple élevé » pour permettre une opération puissante.

► Fig.10: 1. Témoin de mode



Le témoin de mode s'allume en vert lorsque l'outil fonctionne en « mode couple élevé ».

Si l'outil est utilisé avec une charge excessive, le témoin de mode clignote en vert. Le témoin de mode cesse de clignoter, puis s'allume ou s'éteint si vous réduisez la charge sur l'outil.

Statut du témoin de mode			Mode de fonctionnement
● Allumé	○ Éteint	◐ Clignotant	
			Mode grande vitesse
			Mode couple élevé
			Alerte en cas de surcharge

## Changement de vitesse

**REMARQUE :** N'utilisez le bouton de changement de vitesse qu'une fois l'outil complètement arrêté. Si vous changez la vitesse de l'outil avant l'arrêt de l'outil, vous risquez de l'endommager.

**REMARQUE :** Mettez toujours le bouton de changement de vitesse soigneusement sur la bonne position. En utilisant l'outil avec le bouton de changement de vitesse placé à mi-chemin entre la position 1 et la position 2, vous risquez d'endommager l'outil.

Deux plages de vitesse peuvent être présélectionnées avec le bouton de changement de vitesse.

Pour changer la vitesse, enfoncez le bouton de verrouillage et tournez le bouton de changement de vitesse de sorte que l'index soit tourné vers la position 1 pour la vitesse lente ou la position 2 pour la grande vitesse.

► Fig.11: 1. Bouton de verrouillage 2. Index 3. Bouton de changement de vitesse

## Limiteur de couple

Le limiteur de couple s'active lorsqu'un certain niveau de couple est atteint au réglage basse vitesse (position 1). Le moteur se dégage de l'arbre de sortie. Dans ce cas, le foret cesse de tourner.

## Orifice pour courroie

**AVERTISSEMENT :** N'utilisez pas l'orifice pour courroie à toute autre fin que d'accrocher l'outil au mur ou d'éviter son vol. Le non-respect de cette consigne peut entraîner des blessures.

► Fig.12: 1. Orifice pour courroie

# ASSEMBLAGE

## Insertion ou retrait de la batterie

**ATTENTION :** Éteignez toujours l'outil avant de mettre en place ou de retirer la batterie.

**ATTENTION :** Tenez fermement l'outil et la batterie lors de la mise en place ou du retrait de la batterie. Si vous ne tenez pas fermement l'outil et la batterie, ils peuvent vous glisser des mains, et s'abîmer ou vous blesser.

► Fig.13: 1. Indicateur rouge 2. Bouton 3. Batterie

Pour retirer la batterie, faites-la glisser hors de l'outil tout en faisant glisser le bouton à l'avant de la batterie.

Pour mettre la batterie en place, alignez la languette de la batterie avec la rainure du compartiment puis insérez la batterie. Insérez-la entièrement jusqu'à entendre un léger déclic indiquant qu'elle est bien en place. Si vous pouvez voir l'indicateur rouge comme illustré sur la figure, c'est qu'elle n'est pas bien verrouillée.

**ATTENTION :** Insérez toujours complètement la batterie jusqu'à ce que l'indicateur rouge ne soit plus visible. Sinon, elle pourrait tomber accidentellement de l'outil, au risque de vous blesser ou de blesser quelqu'un se trouvant près de vous.

**ATTENTION :** N'insérez pas la batterie de force. Si elle ne glisse pas facilement, c'est que vous ne l'insérez pas correctement.

## Fixation de la mèche hélicoïdale

**ATTENTION :** Assurez-vous toujours que l'outil est hors tension et que sa batterie est retirée avant d'effectuer toute tâche dessus.

**ATTENTION :** Lors de la pose de l'adaptateur pour mèche sur le mandrin, assurez-vous qu'il est inséré à fond.

**ATTENTION :** Lorsque vous fixez la mèche hélicoïdale sur l'adaptateur pour mèche, assurez-vous que la goupille fendue est verrouillée et qu'elle ne présente aucun dommage.

**ATTENTION :** Retirez la mèche hélicoïdale de l'outil pour le transporter.

## Pose ou retrait de l'adaptateur pour mèche

Pour fixer la mèche hélicoïdale, installez au préalable l'adaptateur pour mèche.

Pour installer l'adaptateur pour mèche, insérez-le à fond dans le mandrin. Serrez le mandrin en tournant manuellement le manchon.

Placez la clé de mandrin dans l'orifice du mandrin et serrez dans le sens des aiguilles d'une montre. Assurez-vous de serrer les trois orifices du mandrin de manière uniforme.

Pour retirer l'adaptateur pour mèche, tournez la clé de mandrin dans le sens inverse des aiguilles d'une montre dans un seul orifice, puis desserrez manuellement le mandrin.

► Fig.14: 1. Clé de mandrin 2. Mandrin 3. Manchon

Après utilisation, remettez la clé de mandrin dans la cavité de rangement sur l'outil comme illustré.

► Fig.15

## Fixation de la mèche hélicoïdale sur l'adaptateur pour mèche

**NOTE** : La forme et le mécanisme de la mèche hélicoïdale et de la goupille fendue dépendent de votre mèche hélicoïdale.

Alignez l'orifice sur l'adaptateur pour mèche avec l'orifice sur la mèche hélicoïdale.

Placez la mèche hélicoïdale sur l'adaptateur pour mèche.

► **Fig.16:** 1. Mèche hélicoïdale 2. Adaptateur pour mèche

Fixez la mèche hélicoïdale avec la goupille fendue et le cadenas de sécurité.

► **Fig.17:** 1. Goupille fendue 2. Cadenas de sécurité

## UTILISATION

**ATTENTION** : Il s'agit d'un outil puissant qui génère un couple élevé. Il est important que l'outil soit fermement maintenu et correctement calé.

**ATTENTION** : Avant toute utilisation, vérifiez qu'aucun corps étranger (sable, saleté, etc.) ne soit coincé dans les ouvertures ou les pièces en mouvement.

## Posture de travail

Avoir une bonne position d'utilisation est l'un des éléments les plus importants et les plus efficaces pour maîtriser le recul.

Maintenez une position correcte en pratiquant les points suivants.

- Positionnez l'outil de sorte que la barre du récepteur de réaction soit toujours en contact avec le côté gauche de votre taille.
- Tenez la poignée et la poignée latérale des deux mains. Placez vos doigts autour des zones de prise, en les serrant entre votre pouce et votre index.
- Gardez votre dos aussi vertical que possible en pliant les jambes au besoin pendant le processus d'excavation.
- Restez vigilant à la force de réaction du couple de l'outil. Maintenez toujours une position de fonctionnement dans laquelle vous pouvez supporter la force de réaction du couple.

► **Fig.18:** 1. Poignée 2. Poignée latérale 3. Barre du récepteur de réaction

**AVERTISSEMENT** : Évitez un positionnement incorrect. Ne vous tenez pas trop loin de l'outil. Vous risqueriez de ne pas réagir et contrôler l'outil correctement en cas de recul.

► **Fig.19**

## Excavation

**ATTENTION** : Tenez l'outil fermement lorsque vous l'utilisez.

**ATTENTION** : Lorsque vous abandonnez l'outil, par exemple pendant une pause, ne le laissez pas planté dans le sol ou ne le posez pas contre un mur. Rangez l'outil dans une condition stable.

**REMARQUE** : Lorsque la vitesse de rotation diminue considérablement, réduisez la charge ou arrêtez l'outil pour éviter de l'abîmer.

**REMARQUE** : Une pression excessive sur l'outil n'accélérera pas l'excavation. En fait, cette pression excessive abîmera la pointe de la mèche hélicoïdale, provoquera une baisse de rendement de l'outil et réduira sa durée de service.

**REMARQUE** : Évitez de creuser dans des matériaux que vous soupçonnez contenir des clous cachés ou d'autres choses susceptibles de coincer ou casser la mèche hélicoïdale.

**REMARQUE** : Si l'outil est utilisé de manière continue jusqu'à ce que la batterie se vide, laissez-le reposer 15 minutes avant de poursuivre le travail avec une batterie chargée.

- Sélectionnez correctement la vitesse (élevée/basse) selon le diamètre de l'orifice et l'état du sol.
- Lorsque vous creusez un trou profond ou que vous creusez dans un sol argileux, n'essayez pas de creuser en une seule fois. Creusez le trou en soulevant et en abaissant l'outil de manière à ce que le sol dans le trou puisse être déversé.
- Si la vitesse de rotation de l'outil ralentit en raison d'une opération à charge élevée, soulevez légèrement l'outil et déplacez-le en haut et en bas pour creuser par petites étapes.

## Lors de la rotation de la mèche hélicoïdale à l'envers

Une mèche hélicoïdale coincée peut être retirée en réglant simplement l'inverseur sur la rotation inverse pour faire marche arrière.

En sens inverse, calez l'outil contre votre corps pour empêcher une réaction dans le sens des aiguilles d'une montre.

► **Fig.20**

**ATTENTION** : Tenez l'outil fermement. L'outil pourrait reculer brusquement et provoquer des blessures.

# ENTRETIEN

**⚠ ATTENTION** : Assurez-vous toujours que l'outil est hors tension et que la batterie est retirée avant d'y effectuer tout travail d'inspection ou d'entretien.

**REMARQUE** : N'utilisez jamais d'essence, benzine, diluant, alcool ou autre produit similaire. Cela risquerait de provoquer la décoloration, la déformation ou la fissuration de l'outil.

Pour assurer la SÉCURITÉ et la FIABILITÉ du produit, toute réparation, tout travail d'entretien ou de réglage doivent être effectués par un centre d'entretien Makita agréé, avec des pièces de rechange Makita.

# ACCESSOIRES EN OPTION

**⚠ ATTENTION** : Ces accessoires ou pièces complémentaires sont recommandés pour l'utilisation avec l'outil Makita spécifié dans ce mode d'emploi. L'utilisation de tout autre accessoire ou pièce complémentaire peut comporter un risque de blessure. N'utilisez les accessoires ou pièces complémentaires qu'aux fins auxquelles ils ont été conçus.

Pour obtenir plus de détails sur ces accessoires, contactez votre centre d'entretien local Makita.

- Mèches hélicoïdales
- Adaptateur pour mèche
- Batterie et chargeur Makita d'origine

**NOTE** : Il se peut que certains éléments de la liste soient compris dans l'emballage de l'outil en tant qu'accessoires standard. Ils peuvent varier d'un pays à l'autre.

## TECHNISCHE DATEN

<b>Modell:</b>		<b>DDG460</b>
Leerlaufdrehzahl	Hoch	0 - 1.400 min <sup>-1</sup>
	Niedrig	0 - 350 min <sup>-1</sup>
Bohrkapazitäten (Durchmesser)	Hoch	Für sandige Böden: ø60 mm Für Lehmböden: ø60 mm
	Niedrig	Für sandige Böden: ø200 mm Für Lehmböden: ø150 mm
Gesamtlänge		840 mm
Nennspannung		36 V Gleichstrom
Nettogewicht		7,3 - 8,2 kg

- Wir behalten uns vor, Änderungen der technischen Daten im Zuge der Entwicklung und des technischen Fortschritts ohne vorherige Ankündigung vorzunehmen.
- Die technischen Daten können von Land zu Land unterschiedlich sein.
- Das Gewicht kann abhängig von dem Aufsatz (den Aufsätzen), einschließlich des Akkus, unterschiedlich sein. Die leichteste und die schwerste Kombination, gemäß dem EPTA-Verfahren 01/2014, sind in der Tabelle angegeben.

### Zutreffende Akkus und Ladegeräte

Akku	BL1815N / BL1820B / BL1830B / BL1840B / BL1850B / BL1860B
Ladegerät	DC18RC / DC18RD / DC18RE / DC18SD / DC18SE / DC18SF / DC18SH / DC18WC

- Einige der oben aufgelisteten Akkus und Ladegeräte sind je nach Ihrem Wohngebiet eventuell nicht erhältlich.

**⚠️ WARNUNG:** Verwenden Sie nur die oben aufgeführten Akkus und Ladegeräte. Bei Verwendung irgendwelcher anderer Akkus und Ladegeräte besteht Verletzungs- und/oder Brandgefahr.

### Empfohlene kabelgebundene Stromquelle

Rückentragbare Akku-Bank	PDC01 / PDC1200
--------------------------	-----------------

- Die oben aufgelisteten kabelgebundenen Stromquellen sind je nach Ihrem Wohngebiet eventuell nicht erhältlich.
- Lesen Sie vor Gebrauch der kabelgebundenen Stromquelle die daran angebrachten Anweisungen und Warnmarkierungen durch.

### Vorgesehene Verwendung

Das Werkzeug ist für Bohren in Erdreich vorgesehen.

### Geräusch

Typischer A-bewerteter Geräuschpegel ermittelt gemäß EN62841-2-1:

Schalldruckpegel (L<sub>pA</sub>): 85 dB (A)

Schalleistungspegel (L<sub>WA</sub>): 96 dB (A)

Messunsicherheit (K): 3 dB (A)

**HINWEIS:** Der (Die) angegebene(n) Schallemissionswert(e) wurde(n) im Einklang mit der Standardprüfmethode gemessen und kann (können) für den Vergleich zwischen Werkzeugen herangezogen werden.

**HINWEIS:** Der (Die) angegebene(n) Schallemissionswert(e) kann (können) auch für eine Vorbewertung des Gefährdungsgrads verwendet werden.

**⚠️ WARNUNG:** Einen Gehörschutz tragen.

**⚠️ WARNUNG:** Die Schallemission während der tatsächlichen Benutzung des Elektrowerkzeugs kann je nach der Benutzungsweise des Werkzeugs, und speziell je nach der Art des bearbeiteten Werkstücks, von dem (den) angegebenen Wert(en) abweichen.

**⚠️ WARNUNG:** Identifizieren Sie Sicherheitsmaßnahmen zum Schutz des Benutzers anhand einer Schätzung des Gefährdungsgrads unter den tatsächlichen Benutzungsbedingungen (unter Berücksichtigung aller Phasen des Arbeitszyklus, wie z. B. Ausschalt- und Leerlaufzeiten des Werkzeugs zusätzlich zur Betriebszeit).

## Schwingungen

Schwingungsgesamtwert (Drei-Achsen-Vektorsumme) ermittelt gemäß EN62841-2-1:  
Schwingungsemission ( $a_{h,D}$ ): 2,5 m/s<sup>2</sup> oder weniger  
Messunsicherheit (K): 1,5 m/s<sup>2</sup>

**HINWEIS:** Der (Die) angegebene(n) Vibrationsgesamtwert(e) wurde(n) im Einklang mit der Standardprüfmethode gemessen und kann (können) für den Vergleich zwischen Werkzeugen herangezogen werden.

**HINWEIS:** Der (Die) angegebene(n) Vibrationsgesamtwert(e) kann (können) auch für eine Vorbewertung des Gefährdungsgrads verwendet werden.

**⚠️ WARNUNG:** Die Vibrationsemission während der tatsächlichen Benutzung des Elektrowerkzeugs kann je nach der Benutzungsweise des Werkzeugs, und speziell je nach der Art des bearbeiteten Werkstücks, von dem (den) angegebenen Emissionswert(en) abweichen.

**⚠️ WARNUNG:** Identifizieren Sie Sicherheitsmaßnahmen zum Schutz des Benutzers anhand einer Schätzung des Gefährdungsgrads unter den tatsächlichen Benutzungsbedingungen (unter Berücksichtigung aller Phasen des Arbeitszyklus, wie z. B. Ausschalt- und Leerlaufzeiten des Werkzeugs zusätzlich zur Betriebszeit).

## EG-Konformitätserklärung

*Nur für europäische Länder*

Die EG-Konformitätserklärung ist als Anhang A in dieser Bedienungsanleitung enthalten.

## SICHERHEITSWARNUNGEN

### Allgemeine Sicherheitswarnungen für Elektrowerkzeuge

**⚠️ WARNUNG:** Lesen Sie alle mit diesem Elektrowerkzeug gelieferten Sicherheitswarnungen, Anweisungen, Abbildungen und technischen Daten durch. Eine Missachtung der unten aufgeführten Anweisungen kann zu einem elektrischen Schlag, Brand und/oder schweren Verletzungen führen.

### Bewahren Sie alle Warnungen und Anweisungen für spätere Bezugnahme auf.

Der Ausdruck „Elektrowerkzeug“ in den Warnhinweisen bezieht sich auf Ihr mit Netzstrom (mit Kabel) oder Akku (ohne Kabel) betriebenes Elektrowerkzeug.

## Sicherheitswarnungen für Akku-Erdbohrer

- Halten Sie das Werkzeug mit beiden Händen an den vorgesehenen Handgriffen fest.** Verlust der Kontrolle kann Personenschäden verursachen.
- Stützen Sie das Werkzeug vor Gebrauch entsprechend ab.** Dieses Werkzeug erzeugt ein hohes Ausgangsdrehmoment, und ohne entsprechendes Abstützen des Werkzeugs während des Betriebs kann Verlust der Kontrolle mit daraus resultierenden Personenschäden auftreten.
- Halten Sie das Elektrowerkzeug an den isolierten Griffflächen, wenn Sie Arbeiten ausführen, bei denen die Gefahr besteht, dass das Aushebezubehör verborgene Kabel kontaktiert.** Bei Kontakt des Aushebezubehörs mit einem Strom führenden Kabel können die freiliegenden Metallteile des Elektrowerkzeugs ebenfalls Strom führend werden, so dass der Benutzer einen elektrischen Schlag erleiden kann.
- Arbeiten Sie niemals mit einer höheren Drehzahl als der Maximaldrehzahl des Erdbohrereinsatzes.** Bei höheren Drehzahlen besteht die Gefahr, dass sich der Einsatz verbiegt, wenn zugelassen wird, dass er ohne Kontakt mit dem Werkstück frei rotiert, was zu Personenschäden führen kann.
- Starten Sie den Erdbohrvorgang immer mit einer niedrigen Drehzahl und bei Kontakt der Erdbohrerspitze mit dem Erdreich.** Bei höheren Drehzahlen besteht die Gefahr, dass sich der Einsatz verbiegt, wenn zugelassen wird, dass er ohne Kontakt mit dem Erdreich frei rotiert, was zu Personenschäden führen kann.
- Üben Sie Druck nur in direkter Linie mit dem Einsatz aus, und wenden Sie keinen übermäßigen Druck an.** Einsätze können sich verbiegen, was Bruch oder Verlust der Kontrolle verursachen und zu Personenschäden führen kann.
- Der Außendurchmesser des Schlangenbohrers muss innerhalb der in dieser Gebrauchsanleitung angegebenen Bohrkapazität liegen.** Ein Schlangenbohrer der falschen Größe kann nicht angemessen kontrolliert werden.
- Achten Sie stets auf sicheren Stand.** Vergewissern Sie sich bei Einsatz des Werkzeugs an hochgelegenen Arbeitsplätzen, dass sich keine Personen darunter aufhalten.
- Halten Sie das Werkzeug mit festem Griff.**
- Halten Sie Ihre Hände von rotierenden Teilen fern.**
- Lassen Sie das Werkzeug nicht unbeaufsichtigt laufen.** Benutzen Sie das Werkzeug nur mit Handhaltung.
- Vermeiden Sie eine Berührung des Schlangenbohrers unmittelbar nach der Bearbeitung, weil er dann noch sehr heiß ist und Hautverbrennungen verursachen kann.**
- Manche Materialien können giftige Chemikalien enthalten.** Treffen Sie Vorsichtsmaßnahmen, um das Einatmen von Arbeitsstaub und Hautkontakt zu verhindern. Befolgen Sie die Sicherheitsdaten des Materiallieferanten.

14. Falls der Schlangenbohrer selbst durch Entfernen des Bohrerstifts nicht gelöst werden kann, ziehen Sie ihn mit einer Zange heraus. In einem solchen Fall kann Herausziehen des Schlangenbohrers von Hand zu einer Verletzung durch seine scharfe Kante führen.
15. Falls etwas mit dem Werkzeug nicht stimmt, wie z. B. anormale Geräusche, brechen Sie den Betrieb sofort ab, und wenden Sie sich bezüglich einer Reparatur an Ihre örtliche Makita-Kundendienststelle.
16. Vergewissern Sie sich vor dem Betrieb, dass sich keine verborgenen Objekte, wie etwa eine elektrische Leitung, ein Wasserrohr oder ein Gasrohr, im Boden befinden. Anderenfalls kann das Werkzeug damit in Berührung kommen und einen elektrischen Schlag, einen Leckstrom oder ein Gasleck verursachen.
7. Versuchen Sie niemals, den Akku zu verbrennen, selbst wenn er stark beschädigt oder vollkommen verbraucht ist. Der Akku kann im Feuer explodieren.
8. Unterlassen Sie Nageln, Schneiden, Zerquetschen, Werfen, Fallenlassen des Akkus oder Schlagen des Akkus mit einem harten Gegenstand. Eine solche Handlung kann zu einem Brand, übermäßiger Hitzeentwicklung oder einer Explosion führen.
9. Benutzen Sie keine beschädigten Akkus.
10. Die enthaltene Lithium-Ionen-Akkus unterliegen den Anforderungen der Gefahrengut-Gesetzgebung. Für kommerzielle Transporte, z. B. durch Dritte oder Spediteure, müssen besondere Anforderungen zu Verpackung und Etikettierung beachtet werden. Zur Vorbereitung des zu transportierenden Artikels ist eine Beratung durch einen Experten für Gefahrengut erforderlich. Bitte beachten Sie möglicherweise ausführlichere nationale Vorschriften. Überkleben oder verdecken Sie offene Kontakte, und verpacken Sie den Akku so, dass er sich in der Verpackung nicht umher bewegen kann.

## DIESE ANWEISUNGEN AUFBEWAHREN.

**⚠️ WARNUNG:** Lassen Sie sich NICHT durch Bequemlichkeit oder Vertrautheit mit dem Produkt (durch wiederholten Gebrauch erworben) von der strikten Einhaltung der Sicherheitsregeln für das vorliegende Produkt abhalten. MISSBRAUCH oder Missachtung der Sicherheitsvorschriften in dieser Anleitung können schwere Verletzungen verursachen.

## Wichtige Sicherheitsanweisungen für Akku

1. Lesen Sie vor der Benutzung des Akkus alle Anweisungen und Warnhinweise, die an (1) Ladegerät, (2) Akku und (3) Akkuwerkzeug angebracht sind.
2. Unterlassen Sie Zerlegen oder Manipulieren des Akkus. Es kann sonst zu einem Brand, übermäßiger Hitzeentwicklung oder einer Explosion kommen.
3. Falls die Betriebszeit beträchtlich kürzer geworden ist, stellen Sie den Betrieb sofort ein. Anderenfalls besteht die Gefahr von Überhitzung, möglichen Verbrennungen und sogar einer Explosion.
4. Falls Elektrolyt in Ihre Augen gelangt, waschen Sie sie mit sauberem Wasser aus, und begeben Sie sich unverzüglich in ärztliche Behandlung. Anderenfalls können Sie Ihre Sehkraft verlieren.
5. Der Akku darf nicht kurzgeschlossen werden:
  - (1) Die Kontakte dürfen nicht mit leitfähigem Material berührt werden.
  - (2) Lagern Sie den Akku nicht in einem Behälter zusammen mit anderen Metallgegenständen, wie z. B. Nägel, Münzen usw.
  - (3) Setzen Sie den Akku weder Wasser noch Regen aus.

Ein Kurzschluss des Akkus verursacht starken Stromfluss, der Überhitzung, mögliche Verbrennungen und einen Defekt zur Folge haben kann.
6. Lagern und benutzen Sie das Werkzeug und den Akku nicht an Orten, an denen die Temperatur 50 °C erreichen oder überschreiten kann.
11. Entfernen Sie den Akku zum Entsorgen vom Werkzeug, und entsorgen Sie ihn an einem sicheren Ort. Befolgen Sie die örtlichen Vorschriften bezüglich der Entsorgung von Akkus.
12. Verwenden Sie die Akkus nur mit den von Makita angegebenen Produkten. Das Einsetzen der Akkus in nicht konforme Produkte kann zu einem Brand, übermäßiger Hitzebildung, einer Explosion oder Auslaufen von Elektrolyt führen.
13. Soll das Werkzeug längere Zeit nicht benutzt werden, muss der Akku vom Werkzeug entfernt werden.
14. Bei und nach dem Gebrauch kann der Akku heiß werden, was Verbrennungen oder Niedertemperaturverbrennungen verursachen kann. Beachten Sie die Handhabung von heißen Akkus.
15. Berühren Sie nicht den Anschlusskontakt des Werkzeugs unmittelbar nach dem Gebrauch, da er heiß genug werden kann, um Verbrennungen zu verursachen.
16. Achten Sie darauf, dass sich keine Späne, Staub oder Schmutz in den Anschlusskontakten, Löchern und Nuten des Akkus absetzen. Es könnte sonst zu Erhitzung, Brandauslösung, Bersten und Funktionsstörungen des Werkzeugs oder des Akkus kommen, was zu Verbrennungen oder Personenschäden führen kann.
17. Wenn das Werkzeug den Einsatz in der Nähe einer Hochspannungs-Stromleitung nicht unterstützt, benutzen Sie den Akku nicht in der Nähe einer Hochspannungs-Stromleitung. Dies kann zu einer Funktionsstörung oder Betriebsstörung des Werkzeugs oder des Akkus führen.
18. Halten Sie die Batterie von Kindern fern.

## DIESE ANWEISUNGEN AUFBEWAHREN.

**⚠️ VORSICHT:** Verwenden Sie nur Original-Makita-Akkus. Die Verwendung von Nicht-Original-Makita-Akkus oder von Akkus, die abgeändert worden sind, kann zum Bersten des Akkus und daraus resultierenden Bränden, Personenschäden und Beschädigung führen. Außerdem wird dadurch die Makita-Garantie für das Makita-Werkzeug und -Ladegerät ungültig.

# Hinweise zur Aufrechterhaltung der maximalen

## Akku-Nutzungsdauer

1. Laden Sie den Akku, bevor er vollkommen erschöpft ist. Schalten Sie das Werkzeug stets aus, und laden Sie den Akku, wenn Sie ein Nachlassen der Werkzeugleistung feststellen.
2. Unterlassen Sie erneutes Laden eines voll aufgeladenen Akkus. Überladen führt zu einer Verkürzung der Nutzungsdauer des Akkus.
3. Laden Sie den Akku bei Raumtemperatur zwischen 10 – 40 °C. Lassen Sie einen heißen Akku abkühlen, bevor Sie ihn laden.
4. Wenn Sie den Akku nicht benutzen, nehmen Sie ihn vom Werkzeug oder Ladegerät ab.
5. Der Akku muss geladen werden, wenn er lange Zeit (länger als sechs Monate) nicht benutzt wird.

## ANFANGSEINSTELLUNG

**VORSICHT:** Vergewissern Sie sich vor der Ausführung von Arbeiten am Werkzeug stets, dass das Werkzeug ausgeschaltet und der Akku abgenommen ist.

## BEZEICHNUNG DER TEILE

► Abb.1

1	Hauptwerkzeug	2	Frontgriff
3	Seitengriff	4	Reaktionsempfänger
5	Einsatzadapter	6	Futterschlüssel
7	Schraube	8	Schraubenschlüssel

### Spezifikationen von Schraube/Schraubenschlüssel

	Nenn Durchmesser der Schraube	Schraubenschlüsselgröße (H)
A	M 12	10 mm
B	M 8	6 mm
C	M 6	5 mm

**HINWEIS:** Die Art des Einsatzadapters ist je nach Land unterschiedlich.

## Einrichten des Werkzeugs

**VORSICHT:** Vergewissern Sie sich vor dem Betrieb stets, dass der Seitengriff und der Reaktionsempfänger einwandfrei montiert sind.

**ANMERKUNG:** Ziehen Sie die Schrauben nicht zu fest an. Dadurch kann das Werkzeug beschädigt werden.

## Montieren des Seitengriffs

Entfernen Sie die in der Abbildung gezeigten Schrauben vom Werkzeug.

Die entfernte Schraube wird für dieses Werkzeug als Akku-Erdbohrer benutzen wollen.

Bewahren Sie die Schrauben auf, damit sie nicht verloren gehen.

► **Abb.2:** 1. Schraube

Setzen Sie den Seitengriff auf das Werkzeug.

Ziehen Sie alle vier Schrauben zunächst provisorisch an, bevor Sie sie dann mit dem Schraubenschlüssel sicher festziehen.

► **Abb.3:** 1. Seitengriff 2. Schraube A 3. Schraube B

## Montieren des Reaktionsempfängers

Platzieren Sie den Reaktionsempfänger so, dass die Stange des Reaktionsempfängers auf der linken Seite des Bedieners liegt.

Stellen Sie die Position des Reaktionsempfängers so ein, dass die Achse des Bohrfutters auf die Mitte des Körpers des Bedieners ausgerichtet ist.

Ziehen Sie die Schrauben fest an.

► **Abb.4:** 1. Stange des Reaktionsempfängers 2. Schraube C

## FUNKTIONSBESCHREIBUNG

**VORSICHT:** Vergewissern Sie sich vor der Durchführung von Einstellungen oder Funktionsprüfungen des Werkzeugs stets, dass das Werkzeug ausgeschaltet und der Akku abgenommen ist.

## Anzeigen der Akku-Restkapazität

### Nur für Akkus mit Anzeige

► **Abb.5:** 1. Anzeigelampen 2. Prüftaste

Drücken Sie die Prüftaste am Akku, um die Akku-Restkapazität anzuzeigen. Die Anzeigelampen leuchten wenige Sekunden lang auf.

Anzeigelampen			Restkapazität
Erleuchtet	Aus	Blinkend	
■	□	▧	75% bis 100%
■ ■ ■ ■	□		50% bis 75%
■ ■	□ □		25% bis 50%
■	□ □ □		0% bis 25%
▧	□ □ □ □		Den Akku aufladen.
■ ■ □ □	□ □		Möglicherweise liegt eine Funktionsstörung im Akku vor.
□ □ ■ ■			

**HINWEIS:** Abhängig von den Benutzungsbedingungen und der Umgebungstemperatur kann die Anzeige geringfügig von der tatsächlichen Kapazität abweichen.

**HINWEIS:** Die erste (äußerste linke) Anzeigelampe blinkt, wenn das Akku-Schutzsystem aktiv ist.

## Werkzeug/Akku-Schutzsystem

Das Werkzeug ist mit einem Werkzeug/Akku-Schutzsystem ausgestattet. Dieses System schaltet die Stromversorgung des Motors automatisch ab, um die Lebensdauer von Werkzeug und Akku zu verlängern. Das Werkzeug bleibt während des Betriebs automatisch stehen, wenn das Werkzeug oder der Akku einer der folgenden Bedingungen unterliegt:

## Überlastschutz

Wird das Werkzeug/der Akku auf eine Weise benutzt, die eine ungewöhnlich hohe Stromaufnahme bewirkt, bleibt das Werkzeug automatisch stehen. Schalten Sie in dieser Situation das Werkzeug aus, und brechen Sie die Arbeit ab, die eine Überlastung des Werkzeugs verursacht hat. Schalten Sie dann das Werkzeug wieder ein, um es neu zu starten.

## Überhitzungsschutz

Wenn das Werkzeug/der Akku überhitzt wird, bleibt das Werkzeug automatisch stehen. Lassen Sie das Werkzeug/den Akku in dieser Situation abkühlen, bevor Sie das Werkzeug wieder einschalten.

## Überentladungsschutz

Wenn die Akkukapazität unzureichend wird, bleibt das Werkzeug automatisch stehen. Nehmen Sie in diesem Fall den Akku vom Werkzeug ab, und laden Sie ihn auf.

## Hauptbetriebsschalter

**⚠️ WARNUNG:** Schalten Sie den Hauptbetriebsschalter stets aus, wenn das Werkzeug nicht benutzt wird.

Um das Werkzeug in Bereitschaft zu versetzen, drücken Sie die Hauptbetriebstaste, bis die Hauptbetriebslampe aufleuchtet. Zum Ausschalten des Werkzeugs drücken Sie die Hauptbetriebstaste erneut.

► **Abb.6:** 1. Hauptbetriebstaste

**HINWEIS:** Dieses Werkzeug verwendet die Abschaltautomatik. Um unbeabsichtigtes Anlaufen zu vermeiden, wird der Hauptbetriebsschalter automatisch abgeschaltet, wenn der Auslöseschalter eine bestimmte Zeitlang nach dem Einschalten des Hauptbetriebsschalters nicht betätigt wird.

## Schalterfunktion

**⚠️ VORSICHT:** Vergewissern Sie sich vor dem Einsetzen des Akkus in das Werkzeug stets, dass der Ein-Aus-Schalter ordnungsgemäß funktioniert und beim Loslassen in die AUS-Stellung zurückkehrt.

► **Abb.7:** 1. Ein-Aus-Schalter

Zum Starten des Werkzeugs betätigen Sie den Auslöseschalter bei eingeschaltetem Hauptbetriebsschalter. Die Drehzahl erhöht sich durch verstärkte Druckausübung auf den Auslöseschalter. Zum Anhalten lassen Sie den Auslöseschalter los.

**HINWEIS:** Das Werkzeug bleibt automatisch stehen, wenn der Ein-Aus-Schalter etwa 6 Minuten lang betätigt wird.

## Einschalten der Frontlampe

**⚠️ VORSICHT:** Blicken Sie nicht direkt in die Lampe oder die Lichtquelle.

► **Abb.8:** 1. Lampe

Betätigen Sie den Auslöseschalter, um die Lampe einzuschalten. Die Lampe bleibt erleuchtet, solange der Auslöseschalter gedrückt gehalten wird. Die Lampe erlischt ungefähr 10 Sekunden nach dem Loslassen des Ein-Aus-Schalters.

**HINWEIS:** Wenn das Werkzeug überhitzt wird, bleibt es automatisch stehen, und die Lampe beginnt zu blinken. Lassen Sie in diesem Fall den Auslöseschalter los. Die Lampe erlischt nach 5 Minuten.

**HINWEIS:** Wischen Sie Schmutz auf der Lampenlinse mit einem trockenen Tuch ab. Achten Sie sorgfältig darauf, dass Sie die Lampenlinse nicht verkratzen, weil sich sonst die Lichtstärke verringert.

## Funktion des Drehrichtungsumschalters

**⚠️ VORSICHT:** Prüfen Sie stets die Drehrichtung, bevor Sie mit der Arbeit beginnen.

**⚠️ VORSICHT:** Betätigen Sie den Drehrichtungsumschalter erst, nachdem das Werkzeug völlig zum Stillstand gekommen ist. Durch Umschalten der Drehrichtung bei noch laufendem Werkzeug kann das Werkzeug beschädigt werden.

**⚠️ VORSICHT:** Stellen Sie den Drehrichtungsumschalthebel stets auf die Neutralstellung, wenn Sie das Werkzeug nicht benutzen.

Dieses Werkzeug besitzt einen Drehrichtungsumschalter. Drücken Sie auf die Seite A des Drehrichtungsumschalthebels für Rechtsdrehung, und auf die Seite B für Linksdrehung. In der Neutralstellung des Drehrichtungsumschalthebels kann der Schalthebel nicht betätigt werden.

► **Abb.9:** 1. Drehrichtungsumschalthebel



## Automatische Drehzahlwechselfunktion

Dieses Werkzeug verfügt über einen „Hochdrehzahl-Modus“ und einen „Hochdrehmoment-Modus“. Das Werkzeug wechselt die Betriebsart automatisch abhängig von der Arbeitslast. Bei geringer Arbeitslast läuft das Werkzeug im „Hochdrehzahl-Modus“ für schnelleren Betrieb. Bei hoher Arbeitslast läuft das Werkzeug im „Hochdrehmoment-Modus“ für leistungsstarken Betrieb.

► **Abb.10:** 1. Betriebsart-Anzeige

Die Betriebsart-Anzeige leuchtet in Grün auf, wenn das Werkzeug im „Hochdrehmoment-Modus“ läuft.

Wird das Werkzeug mit übermäßiger Last betrieben, blinkt die Betriebsart-Anzeige in Grün. Die Betriebsart-Anzeige hört auf zu blinken, und dann leuchtet sie auf oder erlischt, wenn Sie die auf das Werkzeug ausgeübte Last verringern.

Betriebsart-Anzeigestatus			Betriebsart
● Ein	○ Aus	● Blinkend	
	○		Hochdrehzahl-Modus
	●		Hochdrehmoment-Modus
	●	○	Überlastwarnung

## Drehzahl-Umschaltung

**ANMERKUNG:** Betätigen Sie den Drehzahl-Umschaltknopf erst, nachdem das Werkzeug zu einem vollständigen Stillstand gekommen ist. Durch Umschalten der Drehzahl bei noch laufendem Werkzeug kann das Werkzeug beschädigt werden.

**ANMERKUNG:** Rasten Sie den Drehzahl-Umschaltknopf stets sorgfältig in die korrekte Position ein. Wird das Werkzeug bei einer Zwischenstellung des Drehzahl-Umschaltknopfes zwischen den Positionen 1 und 2 betrieben, kann es beschädigt werden.

Zwei Drehzahlbereiche können mit dem Drehzahl-Umschaltknopf vorgewählt werden. Drücken Sie zum Umschalten der Drehzahl den Sperrknopf, und drehen Sie den Drehzahl-Umschaltknopf so, dass der Zeiger auf die Position 1 für niedrige Drehzahl bzw. auf die Position 2 für hohe Drehzahl zeigt.

► **Abb.11:** 1. Sperrknopf 2. Zeiger  
3. Drehzahl-Umschaltknopf

## Drehmomentbegrenzer

Der Drehmomentbegrenzer wird bei Erreichen eines bestimmten Drehmoments bei der Niederdrehzahl-Einstellung (Position 1) ausgelöst. Der Motor wird von der Ausgangswelle abgekuppelt. Wenn dies eintritt, bleibt der Bohrereinsatz stehen.

## Riemenöse

**⚠️ WARNUNG:** Verwenden Sie die Riemenöse nicht für andere Zwecke außer dem Aufhängen oder der Diebstahlsicherung des Werkzeugs. Anderenfalls können Personenschäden auftreten.

► **Abb.12:** 1. Riemenöse

## MONTAGE

### Anbringen und Abnehmen des Akkus

**⚠️ VORSICHT:** Schalten Sie das Werkzeug stets aus, bevor Sie den Akku anbringen oder abnehmen.

**⚠️ VORSICHT:** Halten Sie das Werkzeug und den Akku beim Anbringen oder Abnehmen des Akkus sicher fest. Wenn Sie das Werkzeug und den Akku nicht sicher festhalten, können sie Ihnen aus der Hand rutschen, was zu einer Beschädigung des Werkzeugs und des Akkus und zu Körperverletzungen führen kann.

► **Abb.13:** 1. Rote Anzeige 2. Knopf 3. Akku

Ziehen Sie den Akku zum Abnehmen vom Werkzeug ab, während Sie den Knopf an der Vorderseite des Akkus verschieben.

Richten Sie zum Anbringen des Akkus dessen Führungsfeder auf die Nut im Gehäuse aus, und schieben Sie den Akku hinein. Schieben Sie ihn vollständig ein, bis er mit einem leisen Klicken einrastet. Wenn Sie die rote Anzeige sehen können, wie in der Abbildung gezeigt, ist der Akku nicht vollständig verriegelt.

**⚠️ VORSICHT:** Schieben Sie den Akku stets bis zum Anschlag ein, bis die rote Anzeige nicht mehr sichtbar ist. Anderenfalls kann er aus dem Werkzeug herausfallen und Sie oder umstehende Personen verletzen.

**⚠️ VORSICHT:** Unterlassen Sie Gewaltanwendung beim Anbringen des Akkus. Falls der Akku nicht reibungslos hineingleitet, ist er nicht richtig ausgerichtet.

### Montieren des Schlangenbohrers

**⚠️ VORSICHT:** Vergewissern Sie sich vor der Ausführung von Arbeiten am Werkzeug stets, dass das Werkzeug ausgeschaltet und der Akku abgenommen ist.

**⚠️ VORSICHT:** Vergewissern Sie sich beim Montieren des Einsatzadapters am Spannfutter, dass der Einsatzadapter vollständig eingeführt ist.

**⚠️ VORSICHT:** Wenn Sie den Schlangenbohrer am Einsatzadapter anbringen, vergewissern Sie sich, dass der Bohrerstift verriegelt ist, und überprüfen Sie den Bohrerstift auf etwaige Beschädigung.

**⚠️ VORSICHT:** Wenn Sie das Werkzeug tragen, entfernen Sie den Schlangenbohrer vom Werkzeug.

## Montieren und Demontieren des Einsatzadapters

Um den Schlangenbohrer zu montieren, muss zuvor der Einsatzadapter montiert werden.

Um den Einsatzadapter zu montieren, setzen Sie den Einsatzadapter bis zum Anschlag in das Spannfutter ein. Ziehen Sie das Spannfutter durch Drehen der Hülse von Hand an.

Führen Sie den Futterschlüssel in das Schlüsselloch ein, und ziehen Sie das Spannfutter durch Drehen im Uhrzeigersinn an. Ziehen Sie das Spannfutter in allen drei Löchern mit gleicher Kraft an.

Um den Einsatzadapter zu entfernen, drehen Sie den Futterschlüssel in nur einem Loch entgegen dem Uhrzeigersinn, und lösen Sie dann das Spannfutter von Hand.

► **Abb.14:** 1. Futterschlüssel 2. Spannfutter 3. Hülse  
Setzen Sie den Futterschlüssel nach Gebrauch wieder in das Staufach ein, wie dargestellt.

► **Abb.15**

## Montieren des Schlangenbohrers am Einsatzadapter

**HINWEIS:** Form und Mechanismus des Schlangenbohrers und Bohrerstifts können je nach Ihrem Schlangenbohrer variieren.

Richten Sie das Loch im Einsatzadapter auf das Loch im Schlangenbohrer aus.

Setzen Sie den Schlangenbohrer auf den Einsatzadapter.

► **Abb.16:** 1. Schlangenbohrer 2. Einsatzadapter

Fixieren Sie den Schlangenbohrer mit dem Bohrerstift und dem Sicherheitsbügel.

► **Abb.17:** 1. Bohrerstift 2. Sicherheitsbügel

## BETRIEB

**⚠ VORSICHT:** Dies ist ein leistungsstarkes Werkzeug, das ein hohes Drehmoment erzeugt. Es ist wichtig, dass das Werkzeug sicher gehalten und richtig abgestützt wird.

**⚠ VORSICHT:** Vergewissern Sie sich vor dem Betrieb, dass sich keine Fremdkörper (Sand, Schmutz usw.) in den Öffnungen oder an beweglichen Teilen befinden.

## Arbeitshaltung

Die Aufrechterhaltung der richtigen Betriebsposition ist eines der wichtigsten und effektivsten Verfahren, um Rückschlag unter Kontrolle zu halten.

Behalten Sie die richtige Positionierung bei, indem Sie die folgenden Punkte üben.

- Positionieren Sie das Werkzeug so, dass die Stange des Reaktionsempfängers immer die linke Seite Ihrer Taille berührt.
- Greifen Sie den Handgriff und den Seitengriff mit beiden Händen. Legen Sie Ihre Finger um die Griffbereiche, wobei Sie die Griffbereiche mit Daumen und Zeigefinger umschlingen.

- Halten Sie Ihren Rücken so senkrecht wie möglich, indem Sie Ihre Beine während des Aushubvorgangs bei Bedarf beugen.
- Machen Sie sich auf die Drehmoment-Reaktionskraft des Werkzeugs gefasst. Behalten Sie stets die Betriebsposition bei, damit Sie der Drehmoment-Reaktionskraft standhalten können.

► **Abb.18:** 1. Handgriff 2. Seitengriff 3. Stange des Reaktionsempfängers

**⚠ WARNUNG:** Vermeiden Sie ungeeignete Positionierung. Stehen Sie nicht zu weit vom Werkzeug entfernt. Anderenfalls werden richtige Reaktion und Kontrolle im Falle von Rückschlag eventuell nicht erzielt.

► **Abb.19**

## Aushubvorgang

**⚠ VORSICHT:** Halten Sie das Werkzeug während der Benutzung mit festem Griff.

**⚠ VORSICHT:** Wenn Sie eine Pause einlegen, lassen Sie das Werkzeug nicht im Boden stecken, und lehnen Sie es auch nicht gegen eine Wand. Lagern Sie das Werkzeug in stabilem Zustand.

**ANMERKUNG:** Wenn die Drehzahl sehr stark abfällt, verringern Sie die Last, oder halten Sie das Werkzeug an, um Beschädigung des Werkzeugs zu vermeiden.

**ANMERKUNG:** Übermäßige Druckausübung auf das Werkzeug bewirkt keine Beschleunigung der Aushubleistung. Im Gegenteil; übermäßiger Druck führt zu einer Beschädigung der Spitze des Schlangenbohrers und damit zu einer Verringerung der Leistungsfähigkeit sowie zu einer Verkürzung der Lebensdauer des Werkzeugs.

**ANMERKUNG:** Vermeiden Sie Ausheben in Material, bei dem Sie den Verdacht haben, dass verborgene Nägel oder andere Gegenstände vorhanden sind, die Klemmen oder Abbrechen des Schlangenbohrers verursachen können.

**ANMERKUNG:** Wenn das Werkzeug im Dauerbetrieb bis zur vollkommenen Entladung des Akkus benutzt wurde, lassen Sie das Werkzeug vor dem Fortsetzen des Betriebs mit einem frischen Akku 15 Minuten lang ruhen.

- Wählen Sie die Geschwindigkeit (hoch/niedrig) ordnungsgemäß je nach Lochdurchmesser und Bodenbeschaffenheit.
- Wenn Sie ein tiefes Loch ausheben oder in Lehm Boden graben, versuchen Sie nicht, sofort alles auszuheben. Graben Sie das Loch, indem Sie das Werkzeug anheben und absenken, so dass der Boden in dem Loch herausbefördert werden kann.
- Falls die Drehzahl des Werkzeugs aufgrund starker Belastung abfällt, heben Sie das Werkzeug ein wenig an, und bewegen Sie das Werkzeug auf und ab, um in kleinen Schritten auszuheben.

## Bei Rückwärtsdrehung des Schlangenbohrers

Ein festsitzender Schlangenbohrer lässt sich durch einfaches Umschalten der Drehrichtung wieder herausdrehen.

Stützen Sie das Werkzeug bei Rückwärtsbetrieb mit Ihrem Körper ab, um eine rechtsdrehende Gegenkraft aufzufangen.

► **Abb.20**

**⚠ VORSICHT:** Halten Sie das Werkzeug mit festem Griff. Anderenfalls kann das Werkzeug plötzlich herausschnellen und eine Verletzung verursachen.

## WARTUNG

**⚠ VORSICHT:** Vergewissern Sie sich vor der Durchführung von Inspektions- oder Wartungsarbeiten stets, dass das Werkzeug ausgeschaltet und der Akku abgenommen ist.

**ANMERKUNG:** Verwenden Sie auf keinen Fall Benzin, Waschbenzin, Verdünnern, Alkohol oder dergleichen. Solche Mittel können Verfärbung, Verformung oder Rissbildung verursachen.

Um die SICHERHEIT und ZUVERLÄSSIGKEIT dieses Produkts zu gewährleisten, sollten Reparaturen und andere Wartungs- oder Einstellarbeiten nur von Makita-Vertragswerkstätten oder Makita-Kundendienstzentren unter ausschließlicher Verwendung von Makita-Originalersatzteilen ausgeführt werden.

## SONDERZUBEHÖR

**⚠ VORSICHT:** Die folgenden Zubehörteile oder Vorrichtungen werden für den Einsatz mit dem in dieser Anleitung beschriebenen Makita-Werkzeug empfohlen. Die Verwendung anderer Zubehörteile oder Vorrichtungen kann eine Verletzungsgefahr darstellen. Verwenden Sie Zubehörteile oder Vorrichtungen nur für ihren vorgesehenen Zweck.

Wenn Sie weitere Einzelheiten bezüglich dieser Zubehörteile benötigen, wenden Sie sich bitte an Ihre Makita-Kundendienststelle.

- Schlangenbohrer
- Einsatzadapter
- Original-Makita-Akku und -Ladegerät

**HINWEIS:** Manche Teile in der Liste können als Standardzubehör im Werkzeugsatz enthalten sein. Sie können von Land zu Land unterschiedlich sein.

## DATI TECNICI

<b>Modello:</b>		<b>DDG460</b>
Velocità a vuoto	Alta	0 - 1.400 min <sup>-1</sup>
	Bassa	0 - 350 min <sup>-1</sup>
Capacità di perforazione (diametro)	Alta	Per suolo sabbioso: ø60 mm Per suolo argilloso: ø60 mm
	Bassa	Per suolo sabbioso: ø200 mm Per suolo argilloso: ø150 mm
Lunghezza complessiva		840 mm
Tensione nominale		36 V CC
Peso netto		7,3 - 8,2 kg

- A causa del nostro programma continuativo di ricerca e sviluppo, i dati tecnici sono soggetti a modifiche senza preavviso.
- I dati tecnici possono variare da nazione a nazione.
- Il peso può variare a seconda dell'accessorio o degli accessori, inclusa la cartuccia della batteria. La combinazione più leggera e quella più pesante, secondo la procedura EPTA 01/2014, sono indicate nella tabella.

### Cartuccia della batteria e caricabatterie applicabili

Cartuccia della batteria	BL1815N / BL1820B / BL1830B / BL1840B / BL1850B / BL1860B
Caricabatterie	DC18RC / DC18RD / DC18RE / DC18SD / DC18SE / DC18SF / DC18SH / DC18WC

- Alcune cartucce delle batterie e alcuni caricabatterie elencati sopra potrebbero non essere disponibili a seconda della propria area geografica di residenza.

**⚠AVVERTIMENTO:** Utilizzare solo le cartucce delle batterie e i caricabatterie elencati sopra. L'utilizzo di altre cartucce delle batterie e di altri caricabatterie potrebbe causare lesioni personali e/o un incendio.

### Fonte di alimentazione collegata via cavo consigliata

Gruppo di alimentazione portatile	PDC01 / PDC1200
-----------------------------------	-----------------

- La fonte o le fonti di alimentazione collegate via cavo elencate sopra potrebbero non essere disponibili, a seconda della propria area geografica di residenza.
- Prima di utilizzare la fonte di alimentazione collegata via cavo, leggere le istruzioni e le indicazioni delle avvertenze riportate su quest'ultima.

### Utilizzo previsto

Questo utensile è destinato a praticare fori nel suolo.

### Rumore

Livello tipico di rumore pesato A determinato in base allo standard EN62841-2-1:

Livello di pressione sonora ( $L_{pA}$ ): 85 dB (A)

Livello di potenza sonora ( $L_{WA}$ ): 96 dB (A)

Incertezza (K): 3 dB (A)

**NOTA:** Il valore o i valori dichiarati delle emissioni di rumori sono stati misurati in conformità a un metodo standard di verifica, e possono essere utilizzati per confrontare un utensile con un altro.

**NOTA:** Il valore o i valori dichiarati delle emissioni di rumori possono venire utilizzati anche per una valutazione preliminare dell'esposizione.

**⚠AVVERTIMENTO:** Indossare protezioni per le orecchie.

**⚠AVVERTIMENTO:** L'emissione di rumori durante l'utilizzo effettivo dell'utensile elettrico può variare rispetto al valore o ai valori dichiarati, a seconda dei modi in cui viene utilizzato l'utensile e specialmente a seconda di che tipo di pezzo venga lavorato.

**⚠AVVERTIMENTO:** Accertarsi di identificare misure di sicurezza per la protezione dell'operatore che siano basate su una stima dell'esposizione nelle condizioni effettive di utilizzo (tenendo conto di tutte le parti del ciclo operativo, ad esempio del numero di spegnimenti dell'utensile e di quando giri a vuoto, oltre al tempo di attivazione).

## Vibrazioni

Valore totale delle vibrazioni (somma vettoriale triassiale) determinato in base allo standard EN62841-2-1: Emissione di vibrazioni ( $a_{h,D}$ ): 2,5 m/s<sup>2</sup> o inferiore  
Incertezza (K): 1,5 m/s<sup>2</sup>

**NOTA:** Il valore o i valori complessivi delle vibrazioni dichiarati sono stati misurati in conformità a un metodo standard di verifica, e possono essere utilizzati per confrontare un utensile con un altro.

**NOTA:** Il valore o i valori complessivi delle vibrazioni dichiarati possono venire utilizzati anche per una valutazione preliminare dell'esposizione.

**AVVERTIMENTO:** L'emissione delle vibrazioni durante l'utilizzo effettivo dell'utensile elettrico può variare rispetto al valore o ai valori dichiarati, a seconda dei modi in cui viene utilizzato l'utensile, specialmente a seconda di che tipo di pezzo venga lavorato.

**AVVERTIMENTO:** Accertarsi di identificare misure di sicurezza per la protezione dell'operatore che siano basate su una stima dell'esposizione nelle condizioni effettive di utilizzo (tenendo conto di tutte le parti del ciclo operativo, ad esempio del numero di spegnimenti dell'utensile e di quando giri a vuoto, oltre al tempo di attivazione).

## Dichiarazione di conformità CE

### Solo per i paesi europei

La dichiarazione di conformità CE è inclusa nell'Allegato A al presente manuale di istruzioni.

## AVVERTENZE DI SICUREZZA

### Avvertenze generali relative alla sicurezza dell'utensile elettrico

**AVVERTIMENTO:** Leggere tutte le avvertenze di sicurezza, le istruzioni, le illustrazioni e i dati tecnici forniti con il presente utensile elettrico. La mancata osservanza di tutte le istruzioni elencate di seguito potrebbe risultare in scosse elettriche, incendi e/o gravi lesioni personali.

### Conservare tutte le avvertenze e le istruzioni come riferimento futuro.

Il termine "utensile elettrico" nelle avvertenze si riferisce sia all'utensile elettrico (cablato) nel funzionamento alimentato da rete elettrica che all'utensile elettrico (a batteria) nel funzionamento alimentato a batteria.

### Avvertenze di sicurezza relative alla trivella a batteria

1. **Mantenere l'utensile con entrambe le mani sulle apposite maniglie.** La perdita di controllo può causare lesioni personali.
2. **Sostenere correttamente l'utensile prima dell'uso.** Questo utensile produce un'elevata coppia di uscita, e qualora l'utensile durante l'uso non venga sostenuto correttamente, potrebbe verificarsi una perdita di controllo, che potrebbe causare lesioni personali.

3. **Mantenere l'utensile elettrico mediante le superfici di impugnature isolate, quando si intende eseguire un'operazione in cui l'accessorio per scavare potrebbe entrare in contatto con fili elettrici nascosti.** Qualora l'accessorio per scavare entri in contatto con un cavo sotto tensione, potrebbe mettere sotto tensione le parti metalliche esposte dell'utensile elettrico e trasmettere una scossa elettrica all'operatore.
4. **Non far funzionare mai l'utensile a una velocità più elevata della velocità nominale massima della punta per trivella.** A velocità più elevate, è probabile che la punta si pieghi, qualora la si lasci ruotare liberamente senza entrare in contatto con il pezzo in lavorazione, il che potrebbe risultare in lesioni personali.
5. **Iniziare sempre a trivellare il terreno a bassa velocità e con l'estremità della punta per trivella in contatto con il suolo.** A velocità più elevate, è probabile che la punta si pieghi, qualora la si lasci ruotare liberamente senza entrare in contatto con il suolo, il che potrebbe risultare in lesioni personali.
6. **Applicare pressione solo allineandosi senza inclinazioni con la punta, e non applicare pressione eccessiva.** Le punte possono piegarsi, causando rotture o perdita di controllo e risultando in lesioni personali.
7. **Il diametro esterno della punta per trivella deve rientrare nella capacità specificata nelle presenti istruzioni per l'uso.** Non è possibile controllare in modo adeguato punte per trivella di dimensioni errate.
8. **Accertarsi sempre di appoggiare i piedi saldamente. Quando si intende utilizzare l'utensile in ubicazioni elevate, accertarsi sempre che non sia presente alcuna persona sotto.**
9. **Tenere saldamente l'utensile.**
10. **Tenere le mani lontane dalle parti rotanti.**
11. **Non lasciare l'utensile mentre sta funzionando. Far funzionare l'utensile solo mentre lo si tiene in mano.**
12. **Non toccare la punta per trivella subito dopo l'uso; la sua temperatura potrebbe essere estremamente elevata e potrebbe causare ustioni.**
13. **Alcuni materiali contengono sostanze chimiche che potrebbero essere tossiche. Fare attenzione a evitare l'inalazione della polvere e il contatto con la pelle. Attenersi ai dati relativi alla sicurezza del fornitore del materiale.**
14. **Qualora non si riesca ad allentare la punta per trivella anche se si rimuove lo spinotto della trivella, utilizzare delle pinze per estrarla.** In questa circostanza, qualora si estraiga la punta per trivella con la mano, si potrebbero causare lesioni personali dovute al suo bordo affilato.
15. **Qualora si notino problemi con l'utensile, ad esempio suoni anomali, interrompere immediatamente l'utilizzo dell'utensile e rivolgersi al proprio centro di assistenza Makita locale per la riparazione.**
16. **Prima dell'uso, accertarsi che nel suolo non siano presenti oggetti sepoliti, quali canaline elettriche, tubi dell'acqua o tubi del gas.** In caso contrario, l'utensile potrebbe toccarli, causando scosse elettriche, dispersioni elettriche o fughe di gas.

## CONSERVARE LE PRESENTI ISTRUZIONI.

**⚠AVVERTIMENTO:** NON lasciare che la comodità o la familiarità d'uso con il prodotto (acquisita con l'uso ripetuto) sostituiscono la stretta osservanza delle norme di sicurezza. L'USO IMPROPRIO o la mancata osservanza delle norme di sicurezza riportate nel presente manuale di istruzioni potrebbero causare lesioni personali gravi.

## Istruzioni di sicurezza importanti per la cartuccia della batteria

1. Prima di utilizzare la cartuccia della batteria, leggere tutte le istruzioni e le avvertenze riportate (1) sul caricabatteria, (2) sulla batteria e (3) sul prodotto che utilizza la batteria.
2. Non smantellare né manomettere la cartuccia della batteria. In caso contrario, si potrebbe causare un incendio, calore eccessivo o un'esplosione.
3. Qualora il tempo di utilizzo si riduca eccessivamente, interrompere immediatamente l'utilizzo dell'utensile. In caso contrario, si può incorrere nel rischio di surriscaldamento, possibili ustioni e persino un'esplosione.
4. Qualora l'elettrolita entri in contatto con gli occhi, sciacquarli con acqua pulita e richiedere immediatamente assistenza medica. Questa eventualità può risultare nella perdita della vista.
5. Non cortocircuitare la cartuccia della batteria:

- (1) Non toccare i terminali con alcun materiale conduttivo.
- (2) Evitare di conservare la cartuccia della batteria in un contenitore insieme ad altri oggetti metallici quali chiodi, monete, e così via.
- (3) Non esporre la cartuccia della batteria all'acqua o alla pioggia.

Un cortocircuito della batteria può causare un grande flusso di corrente, un surriscaldamento, possibili ustioni e persino un guasto.

6. Non conservare e utilizzare l'utensile e la cartuccia della batteria in ubicazioni in cui la temperatura possa raggiungere o superare i 50°C.
7. Non incenerire la cartuccia della batteria anche qualora sia gravemente danneggiata o completamente esaurita. La cartuccia della batteria può esplodere se a contatto con il fuoco.
8. Non inchiodare, tagliare, schiacciare, lanciare o far cadere la cartuccia della batteria, né farla urtare con forza contro un oggetto duro. Questi comportamenti potrebbero risultare in un incendio, calore eccessivo o un'esplosione.
9. Non utilizzare una batteria danneggiata.
10. Le batterie a ioni di litio contenute sono soggette ai requisiti del regolamento sul trasporto di merci pericolose (Dangerous Goods Legislation). Per trasporti commerciali, ad esempio da parte di terzi o spedizionieri, è necessario osservare dei requisiti speciali sull'imballaggio e sull'etichetta. Per la preparazione dell'articolo da spedire, è richiesta la consulenza di un esperto in materiali pericolosi. Attenersi anche alle normative nazionali, che potrebbero essere più dettagliate. Nasstrare o coprire i contatti aperti e imballare la batteria in modo tale che non si possa muovere liberamente all'interno dell'imballaggio.

11. Quando si intende smaltire la cartuccia della batteria, rimuoverla dall'utensile e smaltirla in un luogo sicuro. Attenersi alle normative locali relative allo smaltimento della batteria.
12. Utilizzare le batterie esclusivamente con i prodotti specificati da Makita. L'installazione delle batterie in prodotti non compatibili potrebbe risultare in incendi, calore eccessivo, esplosioni o perdite di liquido elettrolitico.
13. Se l'utensile non viene utilizzato per un periodo di tempo prolungato, la batteria deve essere rimossa dall'utensile.
14. Durante e dopo l'uso, la cartuccia della batteria potrebbe assorbire calore, che può causare ustioni o ustioni a bassa temperatura. Fare attenzione a come si maneggiano le cartucce delle batterie estremamente calde.
15. Non toccare i terminali dell'utensile subito dopo l'uso, in quanto potrebbero diventare estremamente caldi al punto da causare ustioni.
16. Evitare di far incastrare schegge, polveri o terreno nei terminali, nei fori e nelle scanalature della cartuccia della batteria. In caso contrario, l'utensile o la cartuccia della batteria potrebbero riscaldarsi, prendere fuoco, scoppiare o guastarsi, causando ustioni o lesioni personali.
17. A meno che l'utensile supporti l'uso in prossimità di linee elettriche ad alta tensione, non utilizzare la cartuccia della batteria in prossimità di linee elettriche ad alta tensione. In caso contrario, si potrebbe causare un malfunzionamento o la rottura dell'utensile o della cartuccia della batteria.
18. Tenere la batteria lontana dai bambini.

## CONSERVARE LE PRESENTI ISTRUZIONI.

**⚠ATTENZIONE:** Utilizzare solo batterie originali Makita. L'utilizzo di batterie Makita non originali, o di batterie che siano state alterate, potrebbe risultare nello scoppio della batteria, causando incendi, lesioni personali e danni. Inoltre, ciò potrebbe invalidare la garanzia Makita per l'utensile e il caricabatterie Makita.

## Suggerimenti per preservare la durata massima della batteria

1. Caricare la cartuccia della batteria prima che si scarichi completamente. Smettere sempre di utilizzare l'utensile e caricare la cartuccia della batteria quando si nota che la potenza dell'utensile è diminuita.
2. Non ricaricare mai una cartuccia della batteria completamente carica. La sovraccarica riduce la vita utile della batteria.
3. Caricare la cartuccia della batteria a una temperatura ambiente compresa tra 10°C e 40°C. Lasciar raffreddare una cartuccia della batteria prima di caricarla.
4. Quando non si utilizza la cartuccia della batteria, rimuoverla dall'utensile o dal caricabatterie.
5. Caricare la cartuccia della batteria se non la si è utilizzata per un periodo di tempo prolungato (più di sei mesi).

## PREPARAZIONE INIZIALE

**⚠ATTENZIONE:** Accertarsi sempre che l'utensile sia spento e che la cartuccia della batteria sia stata rimossa, prima di effettuare qualsiasi intervento sull'utensile.

## DESCRIZIONE DELLE PARTI

► Fig.1

1	Utensile principale	2	Maniglia anteriore
3	Maniglia laterale	4	Manubrio di assorbimento reazione
5	Adattatore per punta	6	Chiave del mandrino
7	Bullone	8	Chiave

### Caratteristiche tecniche del bullone/della chiave

-	Diametro nominale del bullone	Dimensione della chiave (H)
A	M 12	10 mm
B	M 8	6 mm
C	M 6	5 mm

**NOTA:** Il tipo di adattatore per punta varia a seconda della nazione.

## Preparazione dell'utensile

**⚠ATTENZIONE:** Prima dell'uso, accertarsi sempre che la maniglia laterale e il manubrio di assorbimento reazione siano installati saldamente.

**AVVISO:** Non serrare eccessivamente i bulloni. In caso, contrario, si potrebbe danneggiare l'utensile.

## Installazione della maniglia laterale

Rimuovere dall'utensile i bulloni indicati nella figura. Il bullone rimosso non è necessario per questo utensile, se si desidera utilizzarlo come trivella a batteria. Conservare i bulloni in modo da non perderli.

► Fig.2: 1. Bullone

Applicare la maniglia laterale sull'utensile. Serrare tutti e quattro i bulloni temporaneamente, quindi serrarli saldamente utilizzando la chiave.

► Fig.3: 1. Maniglia laterale 2. Bullone A 3. Bullone B

## Installazione del manubrio di assorbimento reazione

Posizionare il manubrio di assorbimento reazione in modo che la sua barra venga a trovarsi sul lato sinistro dell'operatore. Regolare la posizione del manubrio di assorbimento reazione in modo che l'asse del mandrino del trapano si trovi al centro del corpo dell'operatore. Serrare saldamente i bulloni.

► Fig.4: 1. Barra del manubrio di assorbimento reazione 2. Bullone C

## DESCRIZIONE DELLE FUNZIONI

**⚠ATTENZIONE:** Accertarsi sempre che l'utensile sia spento e che la cartuccia della batteria sia stata rimossa prima di regolare o di controllare il funzionamento dell'utensile.

## Indicazione della carica residua della batteria

**Solo per cartucce delle batterie dotate di indicatore**

► Fig.5: 1. Indicatori luminosi 2. Pulsante di controllo

Premere il pulsante di controllo sulla cartuccia della batteria per indicare la carica residua della batteria. Gli indicatori luminosi si illuminano per alcuni secondi.

Indicatori luminosi			Carica residua
■ Illuminato	□ Spento	▧ Lampeggiante	
■ ■ ■ ■			Dal 75% al 100%
■ ■ ■ □			Dal 50% al 75%
■ ■ □ □			Dal 25% al 50%
■ □ □ □			Dallo 0% al 25%
▧ □ □ □			Caricare la batteria.
■ □ □ □			La batteria potrebbe essersi guastata.
□ □ ■ ■			

**NOTA:** A seconda delle condizioni d'uso e della temperatura ambiente, l'indicazione potrebbe variare leggermente rispetto alla carica effettiva.

**NOTA:** Il primo indicatore luminoso (all'estremità sinistra) lampeggia quando il sistema di protezione della batteria è in funzione.

## Sistema di protezione strumento/batteria

L'utensile è dotato di un sistema di protezione dell'utensile stesso e della batteria. Tale sistema interrompe automaticamente l'alimentazione al motore per prolungare la vita utile dell'utensile e della batteria. L'utensile si arresta automaticamente durante il funzionamento, qualora l'utensile o la batteria vengano a trovarsi in una delle condizioni seguenti:

### Protezione dal sovraccarico

Quando si utilizza l'utensile o la batteria in un modo tale da causare un assorbimento di corrente elevato in modo anomalo, l'utensile si arresta automaticamente. In questa circostanza, spegnere l'utensile e interrompere l'applicazione che ha causato il sovraccarico dell'utensile. Quindi, accendere l'utensile per ricominciare.

## Protezione dal surriscaldamento

Quando l'utensile o la batteria sono surriscaldati, l'utensile si arresta automaticamente. In questa situazione, lasciar raffreddare l'utensile o la batteria prima di riaccendere l'utensile.

## Protezione dalla sovrascarica

Quando la carica della batteria non è sufficiente, l'utensile si arresta automaticamente. In tal caso, rimuovere la batteria dall'utensile e caricarla.

### Interruttore di accensione principale

**⚠AVVERTIMENTO:** Disattivare sempre l'interruttore di accensione principale quando la macchina non è in uso.

Per disporre in standby l'utensile, premere il pulsante di accensione principale fino a quando l'indicatore luminoso di accensione principale si illumina. Per spegnere l'utensile, premere di nuovo il pulsante di accensione principale.

► **Fig.6:** 1. Pulsante di accensione principale

**NOTA:** Questo utensile utilizza una funzione di spegnimento automatico. Per evitare l'avvio accidentale, l'interruttore di accensione principale si disattiva automaticamente quando l'interruttore a grilletto non viene premuto per un determinato periodo di tempo, dopo che l'interruttore di accensione principale è stato attivato.

### Funzionamento dell'interruttore

**⚠ATTENZIONE:** Prima di inserire la cartuccia della batteria nell'utensile, controllare sempre che l'interruttore a grilletto funzioni correttamente e torni sulla posizione "OFF" quando viene rilasciato.

► **Fig.7:** 1. Interruttore a grilletto

Per avviare l'utensile, premere l'interruttore a grilletto con l'interruttore di accensione principale attivato. La velocità dell'utensile viene aumentata incrementando la pressione sull'interruttore a grilletto. Rilasciare l'interruttore a grilletto per arrestare l'utensile.

**NOTA:** L'utensile si arresta automaticamente se si tiene premuto l'interruttore a grilletto per circa 6 minuti.

### Accensione della lampadina anteriore

**⚠ATTENZIONE:** Non osservare né guardare direttamente la fonte di luce.

► **Fig.8:** 1. Lampadina

Premere l'interruttore a grilletto per accendere la lampadina. La lampadina resta accesa fintanto che l'interruttore a grilletto è premuto. La lampadina si spegne circa 10 secondi dopo che si è rilasciato l'interruttore a grilletto.

**NOTA:** Quando l'utensile è surriscaldato, si arresta automaticamente e la lampada inizia a lampeggiare. In questo caso, rilasciare l'interruttore a grilletto. La lampada si spegne dopo 5 minuti.

**NOTA:** Per pulire la sporcizia dalla lente della lampadina, utilizzare un panno asciutto. Fare attenzione a non graffiare la lente della lampadina, altrimenti si potrebbe ridurre l'illuminazione.

## Uso del commutatore di inversione della rotazione

**⚠ATTENZIONE:** Controllare sempre la direzione di rotazione prima dell'uso.

**⚠ATTENZIONE:** Utilizzare il commutatore di inversione della rotazione solo dopo l'arresto completo dell'utensile. Qualora si cambi la direzione di rotazione prima dell'arresto dell'utensile, si potrebbe danneggiare quest'ultimo.

**⚠ATTENZIONE:** Quando l'utensile non è in uso, impostare sempre la leva del commutatore di inversione della rotazione sulla posizione centrale.

Questo utensile è dotato di un commutatore di inversione della rotazione, per cambiare la direzione di rotazione. Premere la leva del commutatore di inversione della rotazione dal lato A per la rotazione in senso orario, o dal lato B per la rotazione in senso antiorario. Quando la leva del commutatore di inversione della rotazione si trova sulla posizione centrale, non è possibile premere la leva dell'interruttore.

► **Fig.9:** 1. Leva del commutatore di inversione della rotazione




## Funzione di variazione automatica della velocità

Questo utensile dispone di una "modalità ad alta velocità" e di una "modalità a coppia elevata".

L'utensile cambia automaticamente la modalità operativa a seconda del carico di lavoro. Quando il carico di lavoro è basso, l'utensile funziona in "modalità ad alta velocità", per un funzionamento più veloce. Quando il carico di lavoro è alto, l'utensile funziona in "modalità a coppia elevata", per un funzionamento potente.

► **Fig.10:** 1. Indicatore di modalità

L'indicatore di modalità si illumina in verde quando l'utensile funziona in "modalità a coppia elevata". Qualora l'utensile venga fatto funzionare con un carico eccessivo, l'indicatore di modalità lampeggia in verde. L'indicatore di modalità smette di lampeggiare, quindi si illumina o si spegne se si riduce il carico sull'utensile.

Stato dell'indicatore di modalità			Modalità di funzionamento
● Acceso	○ Spento	● Lampeggiante	
			Modalità ad alta velocità
			Modalità a coppia elevata
			Allarme di sovraccarico



## Modifica della velocità

**AVVISO:** Utilizzare la manopola di modifica della velocità solo dopo che l'utensile si è arrestato completamente. La modifica della velocità dell'utensile prima che quest'ultimo si arresti potrebbe danneggiare l'utensile.

**AVVISO:** Impostare sempre la manopola di modifica della velocità con precisione sulla posizione corretta. Qualora si utilizzi l'utensile con la manopola di modifica della velocità su una posizione intermedia tra la posizione 1 e la posizione 2, l'utensile potrebbe venire danneggiato.

È possibile preselezionare due gamme di velocità con la manopola di modifica della velocità. Per cambiare la velocità, premere il pulsante di blocco e ruotare la manopola di modifica della velocità in modo che la freccia punti verso la posizione 1 per la bassa velocità o verso la posizione 2 per l'alta velocità.

► **Fig.11:** 1. Pulsante di blocco 2. Freccia 3. Manopola di modifica della velocità

## Limitatore di coppia

Il limitatore di coppia si attiva quando si raggiunge un determinato livello di coppia nell'impostazione a bassa velocità (posizione 1). Il motore si disinnesta dall'albero condotto. Quando si verifica questa eventualità, la punta per trapano smette di girare.

## Foro per la cinghietta

**AVVERTIMENTO:** Non utilizzare il foro per la cinghietta a scopi diversi dalla sospensione dell'utensile o come antifurto dell'utensile. In caso contrario, si potrebbero verificare lesioni personali.

► **Fig.12:** 1. Foro per la cinghietta

# MONTAGGIO

## Installazione o rimozione della cartuccia della batteria

**ATTENZIONE:** Spegner sempre l'utensile prima di installare o rimuovere la cartuccia della batteria.

**ATTENZIONE:** Mantenere saldamente lo strumento e la batteria quando si intende installare o rimuovere la cartuccia della batteria. Qualora non si mantengano saldamente lo strumento e la cartuccia della batteria, questi ultimi potrebbero scivolare dalle mani, con la possibilità di causare un danneggiamento dello strumento e della cartuccia della batteria, nonché una lesione personale.

► **Fig.13:** 1. Indicatore rosso 2. Pulsante 3. Cartuccia della batteria

Per rimuovere la cartuccia della batteria, farla scorrere via dall'utensile mentre si fa scorrere allo stesso tempo il pulsante sulla parte anteriore della cartuccia.

Per installare la cartuccia della batteria, allineare la linguetta sulla cartuccia della batteria con la scanalatura nell'alloggiamento e farla scivolare in sede. Inserirla completamente fino al suo blocco in sede con un leggero scatto. Se è possibile vedere l'indicatore rosso, come indicato nella figura, non è bloccata completamente.

**ATTENZIONE:** Installare sempre fino in fondo la cartuccia della batteria, fino a quando l'indicatore rosso non è più visibile. In caso contrario, la batteria potrebbe cadere accidentalmente dall'utensile, causando lesioni personali all'operatore o a chi gli è vicino.

**ATTENZIONE:** Non installare forzatamente la cartuccia della batteria. Qualora la batteria non si inserisca scorrendo agevolmente, vuol dire che non viene inserita correttamente.

## Montaggio della punta per trivella

**ATTENZIONE:** Accertarsi sempre che l'utensile sia spento e che la cartuccia della batteria sia stata rimossa, prima di effettuare qualsiasi intervento sull'utensile.

**ATTENZIONE:** Quando si intende installare l'adattatore per punta sul mandrino, accertarsi che l'adattatore per punta sia inserito completamente.

**ATTENZIONE:** Quando si intende montare la punta per trivella sull'adattatore per punta, accertarsi che lo spinotto della trivella sia bloccato e ispezionare lo spinotto della trivella alla ricerca di eventuali danni.

**ATTENZIONE:** Quando si intende trasportare l'utensile, rimuovere la punta per trivella dall'utensile.

## Installazione o rimozione dell'adattatore per punta

Per montare la punta per trivella, installare anticipatamente l'adattatore per punta.

Per installare l'adattatore per punta, inserirlo nel mandrino fino in fondo. Serrare il mandrino ruotando il manicotto con la mano.

Inserire la chiave del mandrino nel foro del mandrino e serrare in senso orario. Accertarsi di serrare tutti e tre i fori del mandrino in modo omogeneo.

Per rimuovere l'adattatore per punta, ruotare la chiave del mandrino in senso antiorario in un solo foro, quindi allentare il mandrino con la mano.

► **Fig.14:** 1. Chiave del mandrino 2. Mandrino 3. Manicotto

Dopo l'uso, riporre di nuovo la chiave del mandrino nell'apposita cavità presente nell'utensile, come indicato nella figura.

► **Fig.15**

## Montaggio della punta per trivella sull'adattatore per punta

**NOTA:** La forma e il meccanismo della punta per trivella e dello spinotto della trivella possono variare a seconda della punta per trivella utilizzata.

Allineare il foro sull'adattatore per punta con il foro sulla punta per trivella.

Inserire la punta per trivella sull'adattatore per punta.

► **Fig.16:** 1. Punta per trivella 2. Adattatore per punta

Fissare la punta per trivella con lo spinotto della trivella e con il blocco di sicurezza.

► **Fig.17:** 1. Punta per trivella 2. Blocco di sicurezza

## FUNZIONAMENTO

**ATTENZIONE:** Questo utensile è molto potente, e genera una coppia elevata. È importante che l'utensile sia mantenuto saldamente e puntellato in modo appropriato.

**ATTENZIONE:** Prima dell'uso, verificare che non siano presenti corpi estranei (sabbia, sporco, e così via) incastrati nelle aperture o nelle parti mobili.

## Postura di lavoro

Mantenere una posizione di utilizzo corretta è una delle procedure più importanti ed efficaci per controllare il contraccolpo.

Mantenere un posizionamento corretto facendo pratica con le operazioni seguenti.

- Posizionare l'utensile in modo che la barra del manubrio di assorbimento reazione sia sempre in contatto con il lato sinistro della propria vita.
- Afferrare la maniglia e la maniglia laterale con entrambe le mani. Avvolgere le dita intorno alle aree di impugnatura, mantenendo queste ultime strette con delicatezza tra i pollici e gli indici.
- Mantenere la schiena il più verticale possibile, piegando le gambe quanto necessario durante la procedura di escavazione.
- Fare attenzione alla forza di reazione della coppia dell'utensile. Mantenere sempre una posizione di utilizzo tale da consentire di resistere alla forza di reazione della coppia.

► **Fig.18:** 1. Maniglia 2. Maniglia laterale 3. Barra del manubrio di assorbimento reazione

**AVVERTIMENTO:** Evitare un posizionamento inappropriato. Non stare in piedi a una distanza eccessiva dall'utensile. In caso contrario, potrebbe non essere possibile ottenere una reazione e un controllo corretti in caso di contraccolpo.

► **Fig.19**

## Operazione di escavazione

**ATTENZIONE:** Mantenere l'utensile saldamente quando lo si utilizza.

**ATTENZIONE:** Quando si intende lasciare l'utensile, ad esempio durante una pausa, non lasciarlo conficcato nel suolo né appoggiarlo contro una parete. Riporre l'utensile in condizioni stabili.

**AVVISO:** Quando la velocità di rotazione si riduce notevolmente, ridurre il carico o arrestare l'utensile, per evitare di danneggiarlo.

**AVVISO:** Se si esercita una pressione eccessiva sull'utensile, non si accelera l'escavazione. In realtà, tale pressione eccessiva produce solo l'effetto di danneggiare l'estremità della punta per trivella e di ridurre le prestazioni e la vita utile dell'utensile.

**AVVISO:** Evitare di scavare in un materiale, qualora si sospetti che possa contenere chiodi o altri elementi che potrebbero causare l'inzeppamento o la rottura della punta per trivella.

**AVVISO:** Qualora l'utensile venga fatto funzionare continuamente fino a quando la cartuccia della batteria si è completamente scaricata, lasciar riposare l'utensile per 15 minuti, prima di procedere con una batteria carica.

- Selezionare correttamente la velocità (alta/bassa) a seconda del diametro del foro e delle condizioni del suolo.
- Quando si intende scavare un foro profondo, oppure scavare in terreno argilloso, non tentare di effettuare l'escavazione in un'unica operazione. Scavare il foro sollevando e abbassando l'utensile, in modo che sia possibile scaricare il terreno presente nel foro.
- Qualora la velocità di rotazione dell'utensile si riduca a causa di un funzionamento con carico elevato, sollevare leggermente l'utensile, quindi muoverlo verso l'alto e verso il basso per scavare a piccoli passi.

## Quando si intende far ruotare la punta per trivella al contrario

È possibile rimuovere facilmente una punta per trivella incastrata impostando il commutatore di inversione della rotazione sulla rotazione invertita, in modo da far fuoriuscire l'utensile.

Quando si intende invertire la rotazione, puntellare l'utensile contro il proprio corpo, per evitare una reazione in senso orario.

► **Fig.20**

**ATTENZIONE:** Mantenere l'utensile saldamente. L'utensile potrebbe fuoriuscire improvvisamente e causare lesioni personali.

## MANUTENZIONE

**⚠ATTENZIONE:** Accertarsi sempre che l'utensile sia spento e che la cartuccia della batteria sia stata rimossa prima di tentare di eseguire interventi di ispezione o manutenzione.

**AVVISO:** Non utilizzare mai benzina, benzene, solventi, alcol o altre sostanze simili. In caso contrario, si potrebbero causare scolorimenti, deformazioni o crepe.

Per preservare la SICUREZZA e l'AFFIDABILITÀ del prodotto, le riparazioni e qualsiasi altro intervento di manutenzione e di regolazione devono essere eseguiti da un centro di assistenza autorizzato Makita, utilizzando sempre ricambi Makita.

## ACCESSORI OPZIONALI

**⚠ATTENZIONE:** Questi accessori o componenti aggiuntivi sono consigliati per l'uso con l'utensile Makita specificato nel presente manuale. L'impiego di altri accessori o componenti aggiuntivi può costituire un rischio di lesioni alle persone. Utilizzare gli accessori o i componenti aggiuntivi solo per il loro scopo prefissato.

Per ottenere ulteriori dettagli relativamente a questi accessori, rivolgersi a un centro di assistenza Makita.

- Punte per trivella
- Adattatore per punta
- Batteria e caricabatterie originali Makita

**NOTA:** Alcuni articoli nell'elenco potrebbero essere inclusi nell'imballaggio dell'utensile come accessori standard. Tali articoli potrebbero variare da nazione a nazione.

## TECHNISCHE GEGEVENS

<b>Model:</b>		<b>DDG460</b>
Nullasttoerental	Hoog	0 - 1.400 min <sup>-1</sup>
	Laag	0 - 350 min <sup>-1</sup>
Boorcapaciteiten (Diameter)	Hoog	Voor zandgrond: ø60 mm Voor kleigrond: ø60 mm
	Laag	Voor zandgrond: ø200 mm Voor kleigrond: ø150 mm
Totale lengte		840 mm
Nominale spanning		36 V gelijkspanning
Nettogewicht		7,3 - 8,2 kg

- In verband met ononderbroken research en ontwikkeling, behouden wij ons het recht voor de bovenstaande technische gegevens zonder voorafgaande kennisgeving te wijzigen.
- De technische gegevens kunnen van land tot land verschillen.
- Het gewicht kan verschillen afhankelijk van de hulpstukken, waaronder de accu. De lichtste en zwaarste combinatie, overeenkomstig de EPTA-procedure 01/2014, worden getoond in de tabel.

### Toepasselijke accu's en laders

Accu	BL1815N / BL1820B / BL1830B / BL1840B / BL1850B / BL1860B
Lader	DC18RC / DC18RD / DC18RE / DC18SD / DC18SE / DC18SF / DC18SH / DC18WC

- Sommige van de hierboven vermelde accu's en laders zijn mogelijk niet leverbaar afhankelijk van waar u woont.

**⚠WAARSCHUWING:** Gebruik uitsluitend de accu's en laders die hierboven worden genoemd. Gebruik van enige andere accu of lader kan leiden tot letsel en/of brand.

### Aanbevolen bekabelde voedingsbron

Draagbare voedingseenheid	PDC01 / PDC1200
---------------------------	-----------------

- De hierboven vermelde bekabelde voedingsbron(nen) is/zijn mogelijk niet leverbaar afhankelijk van waar u woont.
- Alvorens de bekabelde voedingsbron te gebruiken, leest u de instructies en waarschuwingsopchriften erop.

### Gebruiksdoeleinden

Dit gereedschap is bedoeld voor boren in de grond.

### Geluidsniveau

De typische, A-gewogen geluidsniveaus zijn gemeten volgens EN62841-2-1:

Geluidsdrukniveau ( $L_{pA}$ ): 85 dB (A)

Geluidsvermogeniveau ( $L_{WA}$ ): 96 dB (A)

Onzekerheid (K): 3 dB (A)

**OPMERKING:** De opgegeven geluidsemissiewaarde(n) is/zijn gemeten volgens een standaardtestmethode en kan/kunnen worden gebruikt om dit gereedschap te vergelijken met andere gereedschappen.

**OPMERKING:** De opgegeven geluidsemissiewaarde(n) kan/kunnen ook worden gebruikt voor een beoordeling vooraf van de blootstelling.

**⚠WAARSCHUWING:** Draag gehoorbescherming.

**⚠WAARSCHUWING:** De geluidsemisatie tijdens het gebruik van het elektrisch gereedschap in de praktijk kan verschillen van de opgegeven waarde(n) afhankelijk van de manier waarop het gereedschap wordt gebruikt, met name van het soort werkstuk waarmee wordt gewerkt.

**⚠WAARSCHUWING:** Zorg ervoor dat veiligheidsmaatregelen worden getroffen ter bescherming van de gebruiker die zijn gebaseerd op een schatting van de blootstelling onder praktijkomstandigheden (rekening houdend met alle fasen van de bedrijfscyclus, zoals de tijdsduur gedurende welke het gereedschap is uitgeschakeld en stationair draait, naast de ingeschakelde tijdsduur).

## Trilling

De totale trillingswaarde (triaxiale vectorsom) zoals vastgesteld volgens EN62841-2-1:  
Trillingsemissie ( $a_{h,d}$ ): 2,5 m/s<sup>2</sup> of lager  
Onzekerheid (K): 1,5 m/s<sup>2</sup>

**OPMERKING:** De totale trillingswaarde(n) is/zijn gemeten volgens een standaardtestmethode en kan/kunnen worden gebruikt om dit gereedschap te vergelijken met andere gereedschappen.

**OPMERKING:** De opgegeven totale trillingswaarde(n) kan/kunnen ook worden gebruikt voor een beoordeling vooraf van de blootstelling.

**⚠️ WAARSCHUWING:** De trillingsemissie tijdens het gebruik van het elektrisch gereedschap in de praktijk kan verschillen van de opgegeven waarde(n) afhankelijk van de manier waarop het gereedschap wordt gebruikt, met name van het soort werkstuk waarmee wordt gewerkt.

**⚠️ WAARSCHUWING:** Zorg ervoor dat veiligheidsmaatregelen worden getroffen ter bescherming van de gebruiker die zijn gebaseerd op een schatting van de blootstelling onder praktijkomstandigheden (rekening houdend met alle fasen van de bedrijfscyclus, zoals de tijdsduur gedurende welke het gereedschap is uitgeschakeld en stationair draait, naast de ingeschakelde tijdsduur).

## EG-verklaring van conformiteit

### *Alleen voor Europese landen*

De EG-verklaring van conformiteit is bijgevoegd als Bijlage A bij deze gebruiksaanwijzing.

## VEILIGHEIDSWAARSCHUWINGEN

### Algemene veiligheidswaarschuwingen voor elektrisch gereedschap

**⚠️ WAARSCHUWING:** Lees alle veiligheids- waarschuwingen, aanwijzingen, afbeeldingen en technische gegevens behorend bij dit elektrische gereedschap aandachtig door. Als u niet alle onderstaande aanwijzingen naleeft, kan dat resulteren in brand, elektrische schokken en/of ernstig letsel.

### Bewaar alle waarschuwingen en instructies om in de toekomst te kunnen raadplegen.

De term "elektrisch gereedschap" in de veiligheidsvoor- schriften duidt op gereedschappen die op stroom van het lichtnet werken (met snoer) of gereedschappen met een accu (snoerloos).

## Veiligheidswaarschuwingen voor een accugrondboor

1. **Houd het gereedschap met beide handen vast aan de daarvoor bedoelde handgrepen.** Als u de controle over het gereedschap verliest, kan dit leiden tot persoonlijk letsel.
2. **Steun het elektrisch gereedschap goed af voordat u het gebruikt.** Dit gereedschap produceert een hoog uitgangskoppel en als het gereedschap tijdens gebruik niet goed wordt afgesteund, kunt u de controle erover verliezen met persoonlijk letsel tot gevolg.
3. **Houd het elektrisch gereedschap vast aan de geïsoleerde handgrepen bij het uitvoeren van werkzaamheden waarbij het graafaccessoire in aanraking kan komen met verborgen bedrading.** Wanneer het graafaccessoire in aanraking komt met onder spanning staande draden, zullen de niet-geïsoleerde metalen delen van het gereedschap onder spanning komen te staan zodat de gebruiker een elektrische schok kan krijgen.
4. **Gebruik nooit op een hoger toerental dan het maximale nominale toerental van het grondboorbit.** Op een hoger toerental zal het bit waarschijnlijk verbuigen als het vrij ronddraait zonder het werkstuk te raken, waardoor persoonlijk letsel kan ontstaan.
5. **Begin altijd in de grond te boren op een laag toerental en terwijl de punt van het grondboorbit de grond raakt.** Op een hoger toerental zal het bit waarschijnlijk verbuigen als het vrij ronddraait zonder de grond te raken, waardoor persoonlijk letsel kan ontstaan.
6. **Oefen alleen druk uit in een rechte lijn met het bit en oefen geen buitensporige druk uit.** Bits kunnen verbuigen met als gevolg dat ze breken of u de controle erover verliest, waardoor persoonlijk letsel kan ontstaan.
7. **De buitendiameter van het grondboorbit moet binnen de opgegeven capaciteit liggen die wordt aangegeven in deze gebruiksaanwijzing.** Een grondboorbit met verkeerde afmetingen kan niet afdoende worden beheerst.
8. **Zorg ook altijd dat u stevig op een solide bodem staat. Let bij het werken op hoge plaatsen op dat er zich niemand recht onder u bevindt.**
9. **Houd het gereedschap stevig vast.**
10. **Houd uw handen uit de buurt van draaiende onderdelen.**
11. **Laat het gereedschap niet draaiend achter. Schakel het gereedschap alleen in wanneer u het stevig vasthoudt.**
12. **Raak het grondboorbit niet onmiddellijk na gebruik aan. Het kan bijzonder heet zijn en brandwonden op uw huid veroorzaken.**
13. **Bepaalde materialen kunnen giftige chemicaliën bevatten. Vermijd contact met uw huid en zorg dat u geen stof inademt. Volg de veiligheidsvoorschriften van de fabrikant van het materiaal.**

14. Als het grondboorbit niet kan worden losgemaakt ondanks dat u de grondboorpen hebt verwijderd, gebruikt u een tang om het eruit te trekken. Als u in dat geval het grondboorbit met de hand eruit trekt, kan dat leiden tot letsel vanwege zijn scherpe rand.
15. Als er een probleem is met het gereedschap, bijvoorbeeld een abnormaal geluid, stopt u onmiddellijk met het gebruik van het gereedschap en vraagt u uw plaatselijke Makita-servicecentrum het te repareren.
16. Verzeker u er vóór gebruik van dat er geen verborgen voorwerpen, zoals elektriciteits-, water- en gasleidingen, in de grond zitten. Anders kan het gereedschap deze raken, waardoor een elektrische schok, lekstroom of gaslek kan ontstaan.
8. Laat de accu niet vallen, sla er geen spijker in, snijd er niet in, gooi er niet mee en stoot hem niet tegen een hard voorwerp. Dergelijke handelingen kunnen leiden tot brand, buitensporige hitte of een explosie.
9. Gebruik nooit een beschadigde accu.
10. De bijgeleverde lithium-ionbatterijen zijn onderhevig aan de vereisten in de wetgeving omtrent gevaarlijke stoffen. Voor commercieel transport en dergelijke door derden en transporteurs moeten speciale vereisten ten aanzien van verpakking en etikettering worden nageleefd. Als voorbereiding van het artikel dat wordt getransporteerd is het noodzakelijk een expert op het gebied van gevaarlijke stoffen te raadplegen. Houd u tevens aan mogelijk strengere nationale regelgeving. Blootliggende contactpunten moeten worden afgedekt met tape en de accu moet zodanig worden verpakt dat deze niet kan bewegen in de verpakking.

## BEWAAR DEZE VOORSCHRIFTEN.

**⚠WAARSCHUWING:** Laat u NIET misleiden door een vals gevoel van comfort en bekendheid met het gereedschap (na veelvuldig gebruik) en neem alle veiligheidsvoorschriften van het betreffende gereedschap altijd strikt in acht. VERKEERD GEBRUIK of het niet naleven van de veiligheidsvoorschriften in deze gebruiksaanwijzing kan leiden tot ernstig letsel.

## Belangrijke veiligheidsinstructies voor een accu

1. Lees alle voorschriften en waarschuwingen op (1) de acculader, (2) de accu, en (3) het product waarvoor de accu wordt gebruikt, alvorens de accu in gebruik te nemen.
2. Haal de accu niet uit elkaar en saboteer hem niet. Dit kan leiden tot brand, buitensporige hitte of een explosie.
3. Als de gebruikstijd van een opgeladen accu aanzienlijk korter is geworden, moet u het gebruik ervan onmiddellijk stopzetten. Voortgezet gebruik kan oververhitting, brandwonden en zelfs een ontploffing veroorzaken.
4. Als elektrolyt in uw ogen is terechtgekomen, spoelt u uw ogen met schoon water en roept u onmiddellijk de hulp van een dokter in. Elektrolyt in de ogen kan blindheid veroorzaken.
5. Voorkom kortsluiting van de accu:
  - (1) Raak de accuklemmen nooit aan met een geleidend materiaal.
  - (2) Bewaar de accu niet in een bak waarin andere metalen voorwerpen zoals spijkers, munten e.d. worden bewaard.
  - (3) Stel de accu niet bloot aan water of regen. Kortsluiting van de accu kan oorzaak zijn van een grote stroomafgifte, oververhitting, brandwonden, en zelfs defecten.
6. Bewaar en gebruik het gereedschap en de accu niet op plaatsen waar de temperatuur kan oplopen tot 50 °C of hoger.
7. Werp de accu nooit in het vuur, ook niet wanneer hij zwaar beschadigd of volledig versleten is. De accu kan ontploffen in het vuur.
11. Wanneer u de accu wilt weggooiën, verwijdert u de accu vanaf het gereedschap en gooit u hem op een veilige manier weg. Volg bij het weggooiën van de accu de plaatselijke voorschriften.
12. Gebruik de accu's uitsluitend met de gereedschappen die door Makita zijn aanbevolen. Als de accu's worden aangebracht in niet-compatibele gereedschappen, kan dat leiden tot brand, buitensporige warmteontwikkeling, een explosie of lekkage van elektrolyt.
13. Als u het gereedschap gedurende een lange tijd niet denkt te gaan gebruiken, moet de accu vanaf het gereedschap worden verwijderd.
14. Tijdens en na gebruik, kan de accu heet worden waardoor brandwonden of koude brandwonden kunnen worden veroorzaakt. Wees voorzichtig bij het hanteren van een hete accu.
15. Raak de aansluitpunten van het gereedschap niet onmiddellijk na gebruik aan omdat deze heet genoeg kunnen zijn om brandwonden te veroorzaken.
16. Zorg ervoor dat geen steenslag, stof of grond vast komt te zitten op/in de aansluitpunten, openingen en groeven van de accu. Hierdoor kan oververhitting, brand, een barst en een storing in het gereedschap of de accu ontstaan waardoor brandwonden of persoonlijk letsel kunnen ontstaan.
17. Behalve indien gebruik van het gereedschap is toegestaan in de buurt van hoogspanningsleidingen, mag u de accu niet gebruiken in de buurt van een hoogspanningsleiding. Dit kan leiden tot een storing of een defect van het gereedschap of de accu.
18. Houd de accu uit de buurt van kinderen.

## BEWAAR DEZE INSTRUCTIES.

**⚠LET OP:** Gebruik uitsluitend originele Makita accu's. Het gebruik van niet-originele accu's, of accu's die zijn gewijzigd, kan ertoe leiden dat de accu ontploft en brand, persoonlijk letsel en schade veroorzaakt. Ook vervalt daarmee de garantie van Makita op het gereedschap en de lader van Makita.

## Tips voor een maximale levensduur van de accu

1. Laad de accu op voordat hij volledig ontladen is. Stop het gebruik van het gereedschap en laad de accu op telkens wanneer u vaststelt dat het vermogen van het gereedschap is afgenomen.
2. Laad een volledig opgeladen accu nooit opnieuw op. Te lang opladen verkort de levensduur van de accu.
3. Laad de accu op bij een omgevingstemperatuur tussen 10 °C en 40 °C. Laat een warme accu afkoelen alvorens hem op te laden.
4. Als de accu niet wordt gebruikt, verwijdert u hem vanaf het gereedschap of de lader.
5. Laad de accu op als u deze gedurende een lange tijd (meer dan zes maanden) niet gaat gebruiken.

## VOORBEREIDINGEN

**⚠ LET OP:** Zorg altijd dat het gereedschap is uitgeschakeld en de accu ervan is verwijderd alvorens enig werk aan het gereedschap uit te voeren.

## BESCHRIJVING VAN DE ONDERDELEN

► Fig.1

1	Hoofddeel van het gereedschap	2	Voorhandgreep
3	Zijhandgreep	4	Reactiebeugel
5	Bitadapter	6	Spankopsleutel
7	Bout	8	Sleutel

### Specificaties van de bout en sleutel

-	Nominale diameter van de bout	Sleutelmaat (H)
A	M 12	10 mm
B	M 8	6 mm
C	M 6	5 mm

**OPMERKING:** Het type bitadapter verschilt afhankelijk van het land.

## Het gereedschap voorbereiden

**⚠ LET OP:** Verzekert u er altijd voor gebruik van dat de zijhandgreep en de reactiebeugel stevig zijn aangebracht.

**KENNISGEVING:** Draai de bouten niet te strak aan. Hierdoor kan het gereedschap worden beschadigd.

## De zijhandgreep aanbrengen

Verwijder de bouten aangegeven in de afbeelding vanaf het gereedschap.

De verwijderde bout is niet nodig voor dit gereedschap als u dit gereedschap wilt gebruiken als een accugrondboor.

Bewaar de bouten zodat ze niet kwijt raken.

► Fig.2: 1. Bout

Plaats de zijhandgreep op het gereedschap.

Draai alle vier bouten tijdelijk vast en draai daarna de bouten stevig vast met behulp van de sleutel.

► Fig.3: 1. Zijhandgreep 2. Bout A 3. Bout B

## De reactiebeugel aanbrengen

Plaats de reactiebeugel zodanig dat de stang van de reactiebeugel aan de linkerkant van de gebruiker zit. Pas de positie van de reactiebeugel aan zodat de as van de boorspankop voor het midden van het lichaam van de gebruiker zit.

Draai de bouten stevig vast.

► Fig.4: 1. Stang van de reactiebeugel 2. Bout C

## BESCHRIJVING VAN DE FUNCTIES

**⚠ LET OP:** Zorg altijd dat het gereedschap is uitgeschakeld en de accu ervan is verwijderd alvorens de functies op het gereedschap af te stellen of te controleren.

## De resterende acculading controleren

**Alleen voor accu's met indicatorlampjes**

► Fig.5: 1. Indicatorlampjes 2. Testknop

Druk op de testknop op de accu om de resterende acculading te zien. De indicatorlampjes branden gedurende enkele seconden.

Indicatorlampjes			Resterende acculading
Brandt	Uit	Knippert	
■	□	▧	75% tot 100%
■	■	□	50% tot 75%
■	■	□	25% tot 50%
■	□	□	0% tot 25%
▧	□	□	Laad de accu op.
■	■	□	Er kan een storing zijn opgetreden in de accu.
□	□	■	

**OPMERKING:** Afhankelijk van de gebruiksomstandigheden en de omgevingstemperatuur, is het mogelijk dat de aangegeven acculading verschilt van de werkelijke acculading.

**OPMERKING:** Het eerste (meest linker) indicatorlampje knippert wanneer het accubeveiligingssysteem in werking is getreden.

## Gereedschap-/accubeveiligingssysteem

Het gereedschap is voorzien van een gereedschap-/accubeveiligingssysteem. Dit systeem schakelt automatisch de voeding naar de motor uit om de levensduur van het gereedschap en de accu te verlengen. Het gereedschap kan tijdens het gebruik automatisch stoppen als het gereedschap of de accu aan één van de volgende omstandigheden wordt blootgesteld:

### Overbelastingsbeveiliging

Wanneer het gereedschap/de accu wordt bediend op een manier waarop een abnormaal hoge stroomsterkte wordt getrokken, stopt het gereedschap automatisch. Wanneer dat gebeurt, schakelt u het gereedschap uit en stopt u de toepassing die ertoe leidde dat het gereedschap oververhit raakte. Schakel vervolgens het gereedschap in om het weer te starten.

### Oververhittingsbeveiliging

Wanneer het gereedschap/de accu oververhit is, stopt het gereedschap automatisch. Laat in deze situatie het gereedschap/de accu afkoelen voordat u het gereedschap weer inschakelt.

### Beveiliging tegen te ver ontladen

Als de acculading onvoldoende is, stopt het gereedschap automatisch. In dit het geval verwijderd u de accu vanaf het gereedschap en laadt u de accu op.

## Aan-uitknop

**WAARSCHUWING:** Schakel altijd de aan-uitknop uit wanneer het gereedschap niet wordt gebruikt.

Om het gereedschap standby te zetten, drukt u op de aan-uitknop tot de aan-uitlamp gaat branden. Om uit te schakelen, drukt u nogmaals op de aan-uitknop.

► **Fig.6:** 1. Aan-uitknop

**OPMERKING:** Dit gereedschap maakt gebruik van de automatische uitschakelfunctie. Om onbedoeld starten te voorkomen wordt de aan-uitknop automatisch uitgeschakeld wanneer de trekkerschakelaar niet wordt ingeknepen binnen een bepaalde tijdsduur nadat de aan-uitknop is ingeschakeld.

## De trekkerschakelaar gebruiken

**▲LET OP:** Alvorens de accu in het gereedschap te plaatsen, moet u altijd controleren of de trekkerschakelaar goed werkt en bij het loslaten terugkeert naar de stand "OFF".

► **Fig.7:** 1. Trekkerschakelaar

Om het gereedschap te starten, knijpt u de trekkerschakelaar in terwijl de hoofdschakelaar is ingeschakeld. Hoe harder u de trekkerschakelaar inknijpt, hoe sneller het gereedschap draait. Laat de trekkerschakelaar los om het gereedschap te stoppen.

**OPMERKING:** Het gereedschap stopt automatisch wanneer u de trekkerschakelaar gedurende ongeveer 6 minuten ingeknepen houdt.

## De lamp op de voorkant gebruiken

**▲LET OP:** Kijk niet direct in het lamplicht of in de lichtbron.

► **Fig.8:** 1. Lamp

Knijp de trekkerschakelaar in om de lamp in te schakelen. De lamp blijft branden zo lang de trekkerschakelaar wordt ingeknepen. Ongeveer 10 seconden nadat u de trekkerschakelaar hebt losgelaten, gaat de lamp uit.

**OPMERKING:** Wanneer het gereedschap oververhit is, stopt het gereedschap automatisch en begint de lamp te knipperen. Laat in dat geval de trekkerschakelaar los. De lamp gaat na 5 minuten uit.

**OPMERKING:** Gebruik een droge doek om vuil van de lens van de lamp af te vegen. Wees voorzichtig dat u de lens van de lamp niet bekrast omdat dan de verlichting minder wordt.

## De omkeerschakelaar bedienen

**▲LET OP:** Controleer altijd de draairichting alvorens het gereedschap te starten.

**▲LET OP:** Verander de stand van de omkeerschakelaar alleen nadat het gereedschap volledig tot stilstand is gekomen. Als u de draairichting verandert terwijl het gereedschap nog draait, kan het gereedschap beschadigd raken.

**▲LET OP:** Zet de omkeerschakelaar altijd in de neutrale stand wanneer u het gereedschap niet gebruikt.

Dit gereedschap heeft een omkeerschakelaar voor het veranderen van de draairichting. Druk de omkeerschakelaar in vanaf kant A voor de draairichting rechtsom, of vanaf kant B voor de draairichting linksom.

Wanneer de omkeerschakelaar in de neutrale stand staat, kan de schakelhendel niet worden ingeknepen.

► **Fig.9:** 1. Omkeerschakelaar



## Automatische toerentalwisselfunctie







Dit gereedschap heeft een "hoog-toerentalfunctie" en een "hoog-koppelfunctie".

Het gereedschap verandert automatisch de bedieningsfunctie aan de hand van de werkbelasting. Als de werkbelasting laag is, draait het gereedschap in de "functie voor hoge snelheid" om sneller te kunnen werken. Als de werkbelasting hoog is, draait het gereedschap in de "functie voor hoog koppel" om krachtiger te kunnen werken.

► Fig.10: 1. Functie-indicator

De functie-indicator brandt groen wanneer het gereedschap in de "hoog-koppelfunctie" draait.

Als het gereedschap onder buitensporige belasting draait, knippert de functie-indicator groen. De functie-indicator stopt met knippen en gaat branden of gaat uit wanneer u de belasting op het gereedschap verlaagt.

Status van functie-indicator			Bedieningsfunctie
 Brandt	 Uit	 Knippert	
			Hoog-toerentalfunctie
			Hoog-koppelfunctie
			Waarschuwing wegens overbelasting

## Snelheidskeuze

**KENNISGEVING:** Gebruik de snelheidskeuzeknop alleen nadat het gereedschap volledig tot stilstand is gekomen. Als de snelheid van het gereedschap wordt veranderd voordat het gereedschap tot stilstand is gekomen, kan het gereedschap worden beschadigd.

**KENNISGEVING:** Zet de snelheidskeuzeknop altijd voorzichtig in de juiste stand. Als u het gereedschap gebruikt met de snelheidskeuzeknop halverwege tussen de standen 1 en 2, kan het gereedschap beschadigd worden.

De twee snelheidsbereiken kunnen vooraf worden geselecteerd met behulp van de snelheidskeuzeknop. Om de snelheid te veranderen, drukt u de vergrendelknop in en draait u de snelheidskeuzeknop zodanig dat de pijlpunt is uitgelijnd met stand 1 voor lage snelheid of met stand 2 voor hoge snelheid.

► Fig.11: 1. Vergrendelknop 2. Pijlpunt  
3. Snelheidskeuzeknop

## Koppelbegrenzer

De koppelbegrenzer treedt in werking wanneer een bepaald koppelniveau is bereikt in de instelling voor lage snelheid (stand 1). De motor wordt losgekoppeld van de uitgaande as. Zodra dit gebeurt, stopt het boorbit met draaien.

## Riembevestigingspunt

**WAARSCHUWING:** Gebruik het riembevestigingspunt niet voor enig ander doel dan het gereedschap op te hangen of als diefstalbeveiliging van het gereedschap. Anders kan persoonlijk letsel worden veroorzaakt.

► Fig.12: 1. Riembevestigingspunt

## MONTAGE

### De accu aanbrengen en verwijderen

**LET OP:** Schakel het gereedschap altijd uit voordat u de accu aanbrengt of verwijdt.

**LET OP:** Houd het gereedschap en de accu stevig vast tijdens het aanbrengen of verwijderen van de accu. Als u het gereedschap en de accu niet stevig vasthoudt, kunnen deze uit uw handen glippen en het gereedschap of de accu beschadigen, of kan persoonlijk letsel worden veroorzaakt.

► Fig.13: 1. Rood deel 2. Knop 3. Accu

Om de accu te verwijderen verschuift u de knop aan de voorkant van de accu en schuift u tegelijkertijd de accu uit het gereedschap.

Om de accu aan te brengen lijnt u de lip op de accu uit met de groef in de behuizing en duwt u de accu op zijn plaats. Steek de accu zo ver mogelijk in het gereedschap tot u een klikgeluid hoort. Wanneer het rode deel zichtbaar is, zoals aangegeven in de afbeelding, is de accu niet geheel vergrendeld.

**LET OP:** Breng de accu altijd helemaal aan totdat het rode deel niet meer zichtbaar is. Als u dit niet doet, kan de accu per ongeluk uit het gereedschap vallen en u of anderen in uw omgeving verwonden.

**LET OP:** Breng de accu niet met kracht aan. Als de accu niet gemakkelijk in het gereedschap kan worden geschoven, wordt deze niet goed aangebracht.

### Het grondboorbit aanbrengen

**LET OP:** Zorg altijd dat het gereedschap is uitgeschakeld en de accu ervan is verwijderd alvorens enig werk aan het gereedschap uit te voeren.

**LET OP:** Wanneer u de bitadapter aanbrengt in de spankop, verzekert u zich ervan dat de bitadapter er volledig ingestoken wordt.

**LET OP:** Wanneer u het grondboorbit bevestigt aan de bitadapter, verzekert u zich ervan dat de grondboorpen wordt vergrendeld en inspecteert u de grondboorpen op eventuele beschadigingen.

**LET OP:** Wanneer u het gereedschap draagt, verwijdt u het grondboorbit vanaf het gereedschap.

## De bitadapter aanbrengen of verwijderen

Om het grondboorbit te kunnen bevestigen, brengt u van tevoren de bitadapter aan.

Om de bitadapter aan te brengen, plaatst u de bitadapter zo ver mogelijk in de spankop. Draai de spankop met de hand vast door de mof te draaien.

Steek de spankopsleutel in het gat van de spankop en draai rechtsom vast. Zorg ervoor dat alle drie gaten in de spankop gelijkmatig worden vastgedraaid.

Om de bitadapter te verwijderen, draait u de spankopsleutel in slechts één gat linksom en draait u vervolgens de spankop met de hand los.

► **Fig.14:** 1. Spankopsleutel 2. Spankop 3. Mof

Plaats na gebruik de spankopsleutel terug in de opberghouder in het gereedschap, zoals aangegeven in de afbeelding.

► **Fig.15**

## Het grondboorbit bevestigen aan de bitadapter

**OPMERKING:** De vorm en het mechanisme van het grondboorbit en de grondboorpen kan verschillen afhankelijk van uw grondboorbit.

Lijn het gat in de bitadapter uit met het gat in het grondboorbit. Steek het grondboorbit in de bitadapter.

► **Fig.16:** 1. Grondboorbit 2. Bitadapter

Bevestig het grondboorbit met behulp van de grondboorpen en de veiligheidsvergrendeling.

► **Fig.17:** 1. Grondboorpen  
2. Veiligheidsvergrendeling

## BEDIENING

**⚠ALLET OP:** Dit is een krachtig gereedschap dat een hoog koppel genereert. Het is belangrijk dat het gereedschap stevig wordt vastgehouden en goed wordt afgesteund.

**⚠ALLET OP:** Controleer voor gebruik of er geen vreemd materiaal (zand, vuil, enz.) vastzit in de openingen of bewegende delen.

## Werkpositie

Een correcte bedieningspositie is één van de belangrijkste en effectiefste manieren om terugslag op te vangen. Zorg voor een correcte positie aan de hand van de volgende punten.

- Plaats het gereedschap zodanig dat de stang van de reactiebeugel altijd tegen de linkerkant van uw heup komt.
- Pak de handgreep en de zijhandgreep met beide handen vast. Klem uw vingers rond de gripoppervlakken en houd de gripoppervlakken ingeklemd tussen uw duim en vingers.
- Houd uw rug zo verticaal mogelijk door tijdens het gronden uw knieën steeds verder te buigen.
- Blijf goed letten op de koppelreactiekracht van het gereedschap. Bewaar altijd de bedieningspositie waarin u de koppelreactiekracht kunt opvangen.

► **Fig.18:** 1. Handgreep 2. Zijhandgreep 3. Stang van de reactiebeugel

**⚠WAARSCHUWING:** Vermijd een verkeerde positie. Sta niet te ver van het gereedschap af. In geval van een terugslag is dan een goede reactie en controle misschien niet mogelijk.

► **Fig.19**

## Grondboren

**⚠ALLET OP:** Houd het gereedschap tijdens gebruik stevig vast.

**⚠ALLET OP:** Wanneer u het gereedschap achterlaat, bijvoorbeeld tijdens een pauze, laat u het gereedschap niet rechtop in de grond staan of tegen een muur leunen. Plaats het gereedschap in een stabiele stand.

**KENNISGEVING:** Wanneer de draaisnelheid sterk afneemt, verlaagt u de belasting of stopt u het gereedschap om te voorkomen dat het gereedschap wordt beschadigd.

**KENNISGEVING:** Het gronden zal niet sneller verlopen als u hard op het gereedschap drukt. In feite zal dergelijk hard drukken alleen maar leiden tot beschadiging van de punt van het grondboorbit, lagere prestaties van het gereedschap en een kortere levensduur van het gereedschap.

**KENNISGEVING:** Boor niet in de grond wanneer u vermoedt dat er verborgen spijkers of andere voorwerpen in zitten die ertoe kunnen leiden dat het grondboorbit vastloopt of breekt.

**KENNISGEVING:** Als het gereedschap continu wordt bediend totdat de accu leeg is, laat u het gereedschap gedurende 15 minuten liggen alvorens verder te werken met een volle accu.

- Selecteer de correcte snelheid (hoog/laag) afhankelijk van de diameter van het gat en de toestand van de grond.
- Bij het boren van een diep gat of in kleigrond, mag u niet proberen dit in één keer te boren. Boor het gat door het gereedschap omhoog en omlaag te bewegen zodat de grond uit het gat omhoog komt.
- Als de draaisnelheid van het gereedschap afneemt als gevolg van zware belasting, tilt u het gereedschap iets op en beweegt u het gereedschap omhoog en omlaag om in kleine stapjes te boren.

## Wanneer het grondboorbit in omgekeerde richting draait

Een vastgelopen grondboorbit kan eenvoudig worden verwijderd door de draairichting te veranderen met de omkeerschakelaar, om zo het grondboorbit eruit te draaien.

Tijdens het draaien in omgekeerde richting, steunt u het gereedschap af op uw lichaam om de reactiekracht rechtsom op te vangen.

► **Fig.20**

**⚠ALLET OP:** Houd het gereedschap stevig vast. Het gereedschap kan plotseling eruit komen en letsel veroorzaken.

## ONDERHOUD

**⚠ LET OP:** Zorg altijd dat het gereedschap is uitgeschakeld en de accu ervan is verwijderd alvorens te beginnen met onderhoud of inspectie.

**KENNISGEVING:** Gebruik nooit benzine, wasbenzine, thinner, alcohol en dergelijke. Hierdoor kunnen verkleuring, vervormingen en barsten worden veroorzaakt.

Om de VEILIGHEID en BETROUWBAARHEID van het gereedschap te handhaven, dienen alle reparaties, onderhoud of afstellingen te worden uitgevoerd bij een erkend Makita-servicecentrum of de Makita-fabriek, en altijd met gebruik van Makita-vervangingsonderdelen.

## OPTIONELE ACCESSOIRES

**⚠ LET OP:** Deze accessoires of hulpstukken worden aanbevolen voor gebruik met het Makita gereedschap dat in deze gebruiksaanwijzing is beschreven. Bij gebruik van andere accessoires of hulpstukken bestaat het gevaar van persoonlijke letsel. Gebruik de accessoires of hulpstukken uitsluitend voor hun bestemde doel.

Wenst u meer bijzonderheden over deze accessoires, neem dan contact op met het plaatselijke Makita-servicecentrum.

- Grondboorbits
- Bitadapter
- Originele Makita accu's en acculaders

**OPMERKING:** Sommige items op de lijst kunnen zijn inbegrepen in de doos van het gereedschap als standaard toebehoren. Deze kunnen van land tot land verschillen.

## ESPECIFICACIONES

<b>Modelo:</b>		<b>DDG460</b>
Velocidad sin carga	Alta	0 - 1.400 min <sup>-1</sup>
	Baja	0 - 350 min <sup>-1</sup>
Capacidades de perforación (Diámetro)	Alta	Para suelo arenoso: ø60 mm Para suelo arcilloso: ø60 mm
	Baja	Para suelo arenoso: ø200 mm Para suelo arcilloso: ø150 mm
Longitud total		840 mm
Tensión nominal		CC 36 V
Peso neto		7,3 - 8,2 kg

- Debido a nuestro continuado programa de investigación y desarrollo, las especificaciones aquí dadas están sujetas a cambios sin previo aviso.
- Las especificaciones pueden ser diferentes de país a país.
- El peso puede variar dependiendo del accesorio(s), incluyendo el cartucho de batería. La combinación menos pesada y la más pesada, de acuerdo con el procedimiento EPTA 01/2014, se muestran en la tabla.

### Cartucho de batería y cargador aplicables

Cartucho de batería	BL1815N / BL1820B / BL1830B / BL1840B / BL1850B / BL1860B
Cargador	DC18RC / DC18RD / DC18RE / DC18SD / DC18SE / DC18SF / DC18SH / DC18WC

- Algunos de los cartuchos de batería y cargadores indicados arriba puede que no estén disponibles dependiendo de su región de residencia.

**⚠ADVERTENCIA:** Utilice solamente los cartuchos de batería y cargadores listados arriba. La utilización de cualquier otro cartucho de batería y cargador puede ocasionar heridas y/o un incendio.

### Fuente de alimentación conectada por cable recomendada

Unidad portátil de alimentación eléctrica	PDC01 / PDC1200
---	-----------------

- La fuente o fuentes de alimentación conectadas por cable indicadas arriba puede que no estén disponibles dependiendo de su región de residencia.
- Antes de utilizar la fuente de alimentación conectada por cable, lea las instrucciones e indicaciones de precaución sobre ella.

### Uso previsto

La herramienta ha sido prevista para perforar el suelo.

### Ruido

El nivel de ruido A-ponderado típico determinado de acuerdo con la norma EN62841-2-1:

Nivel de presión sonora ( $L_{pA}$ ): 85 dB (A)

Nivel de potencia sonora ( $L_{WA}$ ): 96 dB (A)

Error (K): 3 dB (A)

**NOTA:** El valor (o los valores) de emisión de ruido declarado ha sido medido de acuerdo con un método de prueba estándar y se puede utilizar para comparar una herramienta con otra.

**NOTA:** El valor (o valores) de emisión de ruido declarado también se puede utilizar en una valoración preliminar de exposición.

**⚠ADVERTENCIA:** Póngase protectores para oídos.

**⚠ADVERTENCIA:** La emisión de ruido durante la utilización real de la herramienta eléctrica puede variar del valor (o los valores) de emisión declarado dependiendo de las formas en las que la herramienta sea utilizada, especialmente qué tipo de pieza de trabajo se procesa.

**⚠ADVERTENCIA:** Asegúrese de identificar medidas de seguridad para proteger al operario que estén basadas en una estimación de la exposición en las condiciones reales de utilización (teniendo en cuenta todas las partes del ciclo operativo como las veces cuando la herramienta está apagada y cuando está funcionando en vacío además del tiempo de gatillo).

## Vibración

El valor total de la vibración (suma de vectores triaxiales) determinado de acuerdo con la norma EN62841-2-1:

Emisión de vibración ( $a_{h,D}$ ): 2,5 m/s<sup>2</sup> o menos

Error (K): 1,5 m/s<sup>2</sup>

**NOTA:** El valor (o los valores) total de emisión de vibración declarado ha sido medido de acuerdo con un método de prueba estándar y se puede utilizar para comparar una herramienta con otra.

**NOTA:** El valor (o los valores) total de emisión de vibración declarado también se puede utilizar en una valoración preliminar de exposición.

**⚠ADVERTENCIA:** La emisión de vibración durante la utilización real de la herramienta eléctrica puede variar del valor (o los valores) de emisión declarado dependiendo de las formas en las que la herramienta sea utilizada, especialmente qué tipo de pieza de trabajo se procesa.

**⚠ADVERTENCIA:** Asegúrese de identificar medidas de seguridad para proteger al operario que estén basadas en una estimación de la exposición en las condiciones reales de utilización (teniendo en cuenta todas las partes del ciclo operativo como las veces cuando la herramienta está apagada y cuando está funcionando en vacío además del tiempo de gatillo).

## Declaración CE de conformidad

*Para países europeos solamente*

La declaración CE de conformidad está incluida como Anexo A de esta manual de instrucciones.

## ADVERTENCIAS DE SEGURIDAD

### Advertencias de seguridad para herramientas eléctricas en general

**⚠ADVERTENCIA:** Lea todas las advertencias de seguridad, instrucciones, ilustraciones y especificaciones provistas con esta herramienta eléctrica. Si no sigue todas las instrucciones indicadas abajo podrá resultar en una descarga eléctrica, un incendio y/o heridas graves.

### Guarde todas las advertencias e instrucciones para futuras referencias.

El término "herramienta eléctrica" en las advertencias se refiere a su herramienta eléctrica de funcionamiento con conexión a la red eléctrica (con cable) o herramienta eléctrica de funcionamiento a batería (sin cable).

## Advertencias de seguridad para la ahoyadora inalámbrica

- 1. Sujete la herramienta con ambas manos en los mangos previstos para ello.** Una pérdida del control puede ocasionar heridas personales.
- 2. Sujete firmemente la herramienta antes de utilizar.** Esta herramienta produce una torsión alta de salida y sin una sujeción firme de la herramienta durante la operación, puede producirse la pérdida del control resultando en heridas personales.
- 3. Cuando realice una operación en la que el accesorio de excavación pueda entrar en contacto con cableado oculto, sujete la herramienta eléctrica por las superficies de aislamiento aisladas.** El contacto del accesorio de excavación con un cable con corriente puede hacer que la corriente circule por las partes metálicas expuestas de la herramienta eléctrica y soltar una descarga eléctrica al operario.
- 4. No utilice nunca a velocidades más altas que la velocidad máxima nominal del barreno.** A velocidades más altas, es probable que el barreno se doble si se deja girar libremente sin hacer contacto con la pieza de trabajo, resultando en heridas personales.
- 5. Comience a excavar siempre a velocidad baja y con la punta del barreno haciendo contacto con el suelo.** A velocidades más altas, es probable que el barreno se doble si se deja girar libremente sin hacer contacto con el suelo, resultando en heridas personales.
- 6. Aplique presión solamente en línea directa con el barreno y no aplique una presión excesiva.** Los barrenos se pueden doblar ocasionando su rotura o la pérdida de control, resultando en heridas personales.
- 7. El diámetro exterior del barreno debe encontrarse dentro de la capacidad de perforación especificada en este manual de instrucciones.** Un barreno de tamaño incorrecto no se podrá controlar adecuadamente.
- 8. Asegúrese siempre de apoyar los pies firmemente.** Asegúrese de que no haya nadie debajo cuando utilice la herramienta en lugares altos.
- 9. Sujete la herramienta firmemente.**
- 10. Mantenga las manos alejadas de las partes giratorias.**
- 11. No deje la herramienta en marcha.** Tenga en marcha la herramienta solamente cuando la tenga en la mano.
- 12. No toque el barreno inmediatamente después de la operación; podrá estar muy caliente y quemarle la piel.**
- 13. Algunos materiales contienen sustancias químicas que pueden ser tóxicas.** Tenga precaución para evitar la inhalación de polvo y el contacto con la piel. Siga los datos de seguridad del abastecedor del material.
- 14. Si el barreno no se puede aflojar incluso cuando retira el pasador del barreno, utilice unos alicates para extraerlo.** En tal caso, sacar el barreno a mano puede resultar en heridas debido a su borde cortante.

15. Si hay algún problema con la herramienta tal como sonidos anormales, deje de utilizarla inmediatamente y pida al centro de servicio local de Makita que le hagan las reparaciones.
16. Antes de la operación, asegúrese de que no hay objetos enterrados como tubos de cables eléctricos, tuberías de agua o tuberías de gas en el suelo. De lo contrario, la herramienta podrá tocarlos, resultando en una descarga eléctrica, fuga eléctrica o fuga de gas.

## GUARDE ESTAS INSTRUCCIONES.

**⚠ADVERTENCIA:** NO deje que la comodidad o familiaridad con el producto (a base de utilizarlo repetidamente) sustituya la estricta observancia de las normas de seguridad para el producto en cuestión. El MAL USO o el no seguir las normas de seguridad establecidas en este manual de instrucciones podrá ocasionar heridas personales graves.

### Instrucciones de seguridad importantes para el cartucho de batería

1. Antes de utilizar el cartucho de batería, lea todas las instrucciones e indicaciones de precaución sobre (1) el cargador de baterías, (2) la batería, y (3) el producto con el que se utiliza la batería.
2. No desensamble ni manipule el cartucho de batería. Podrá resultar en un incendio, calor excesivo, o una explosión.
3. Si el tiempo de uso se acorta demasiado, cese la operación inmediatamente. Podría resultar en un riesgo de recalentamiento, posibles quemaduras e incluso una explosión.
4. Si entra electrolito en sus ojos, aclárelos con agua limpia y acuda a un médico inmediatamente. Existe el riesgo de poder perder la vista.
5. No cortocircuite el cartucho de batería:
  - (1) No toque los terminales con ningún material conductor.
  - (2) Evite guardar el cartucho de batería en un cajón junto con otros objetos metálicos, como clavos, monedas, etc.
  - (3) No exponga el cartucho de batería al agua ni a la lluvia.

Un cortocircuito en la batería puede producir una gran circulación de corriente, un recalentamiento, posibles quemaduras e incluso una rotura de la misma.
6. No guarde ni utilice la herramienta y el cartucho de batería en lugares donde la temperatura pueda alcanzar o exceder los 50 °C.
7. Nunca incinere el cartucho de batería incluso en el caso de que esté dañado seriamente o ya no sirva en absoluto. El cartucho de batería puede explotar si se tira al fuego.
8. No clave, corte, aplaste, lance, deje caer el cartucho de batería, ni golpee contra un objeto duro el cartucho de batería. Tal conducta podrá resultar en un incendio, calor excesivo, o una explosión.
9. No utilice una batería dañada.
10. Las baterías de litio-ion contenidas están sujetas a los requisitos de la Legislación para Materiales Peligrosos.
 

Para transportes comerciales, p.ej., por terceras personas y agentes de transportes, se deberán observar requisitos especiales para el empaquetado y etiquetado.

Para la preparación del artículo que se va a enviar, se requiere consultar con un experto en materiales peligrosos. Por favor, observe también la posibilidad de reglamentos nacionales más detallados.

Cubra con cinta aislante o enmascare los contactos expuestos y empaquete la batería de tal manera que no se pueda mover alrededor dentro del embalaje.
11. Para desechar el cartucho de batería, retírelo de la herramienta y deséchelo en un lugar seguro. Siga los reglamentos locales referentes al desecho de la batería.
12. Utilice las baterías solamente con los productos especificados por Makita. La instalación de las baterías en productos no compatibles puede resultar en un incendio, calor excesivo, explosión, o fuga de electrolito.
13. Si la herramienta no va a ser utilizada durante un periodo de tiempo largo, la batería deberá ser retirada de la herramienta.
14. Durante y después de la utilización, el cartucho de batería podrá acumular calor, lo cual puede ocasionar quemaduras o quemaduras de baja temperatura. Preste atención al manejo de cartuchos de batería calientes.
15. No toque el terminal de la herramienta inmediatamente después de utilizar, dado que puede calentarse lo suficiente como para ocasionar quemaduras.
16. No permita que virutas, polvo, o tierra se adhieran dentro de los terminales, orificios, y ranuras del cartucho de batería. Esto podría ocasionar calentamiento, que coja fuego, reviente y un mal funcionamiento de la herramienta o el cartucho de batería, resultando en quemaduras o heridas personales.
17. A menos que la herramienta pueda utilizarse cerca de cables eléctricos de alta tensión, no utilice el cartucho de batería cerca de cables eléctricos de alta tensión. Podrá resultar en un mal funcionamiento o rotura de la herramienta o el cartucho de batería.
18. Mantenga la batería alejada de los niños.

## GUARDE ESTAS INSTRUCCIONES.

**⚠PRECAUCIÓN:** Utilice solamente baterías genuinas de Makita. La utilización de baterías no genuinas de Makita, o baterías que han sido alteradas, puede resultar en una explosión de la batería ocasionando incendios, heridas personales y daños. También anulará la garantía de Makita para la herramienta y el cargador de Makita.

## Consejos para alargar al máximo la vida de servicio de la batería

1. Cargue el cartucho de batería antes de que se descargue completamente. Detenga siempre la operación y cargue el cartucho de batería cuando note menos potencia en la herramienta.
2. No cargue nunca un cartucho de batería que esté completamente cargado. La sobrecarga acortará la vida de servicio de la batería.
3. Cargue el cartucho de batería a temperatura ambiente de 10 °C - 40 °C. Si un cartucho de batería está caliente, déjelo enfriar antes de cargarlo.
4. Cuando no esté utilizando el cartucho de batería, retírelo de la herramienta o del cargador.
5. Cargue el cartucho de batería si no lo utiliza durante un período de tiempo prolongado (más de seis meses).

## AJUSTE INICIAL

**⚠PRECAUCIÓN:** Asegúrese siempre de que la herramienta está apagada y el cartucho de batería retirado antes de realizar cualquier trabajo en la herramienta.

## DESCRIPCIÓN DE LAS PARTES

► Fig.1

1	Herramienta principal	2	Empuñadura delantera
3	Empuñadura lateral	4	Receptor de reacción
5	Adaptador de barreno	6	Llave de mandril
7	Perno	8	Llave

### Especificaciones del perno / llave

-	Diámetro nominal del perno	Tamaño de la llave (H)
A	M 12	10 mm
B	M 8	6 mm
C	M 6	5 mm

**NOTA:** El tipo de adaptador de barreno varía dependiendo del país.

## Preparación de la herramienta

**⚠PRECAUCIÓN:** Antes de la operación, asegúrese siempre de que la empuñadura lateral y el receptor de reacción están instalados firmemente.

**AVISO:** No apriete demasiado los pernos. Podría dañar la herramienta.

## Instalación de la empuñadura lateral

Retire de la herramienta los pernos mostrados en la figura. Los pernos retirados no son necesarios para esta herramienta si la quiere utilizar como ahoyadora inalámbrica. Guarde los pernos de manera que no se pierdan.

► Fig.2: 1. Perno

Coloque la empuñadura lateral en la herramienta.

Apriete todos los cuatro pernos temporalmente, y después apriete los pernos firmemente utilizando la llave.

► Fig.3: 1. Empuñadura lateral 2. Perno A 3. Perno B

## Instalación del receptor de reacción

Coloque el receptor de reacción de manera que la barra del receptor de reacción quede en el costado izquierdo del operario. Ajuste la posición del receptor de reacción de manera que el eje del mandril esté en el centro del cuerpo del operario. Apriete los pernos firmemente.

► Fig.4: 1. Barra del receptor de reacción 2. Perno C

## DESCRIPCIÓN DEL FUNCIONAMIENTO


















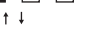
**⚠PRECAUCIÓN:** Asegúrese siempre de que la herramienta está apagada y el cartucho de batería retirado antes de realizar cualquier ajuste o comprobación en la herramienta.

## Modo de indicar la capacidad de batería restante

*Solamente para cartuchos de batería con el indicador*

► Fig.5: 1. Lámparas indicadoras 2. Botón de comprobación

Presione el botón de comprobación en el cartucho de batería para indicar la capacidad de batería restante. Las lámparas indicadoras se iluminan durante unos pocos segundos.

Lámparas indicadoras			Capacidad restante
 Iluminada	 Apagada	 Parpadeando	
			75% a 100%
			50% a 75%
			25% a 50%
			0% a 25%
			Cargue la batería.
 			Puede que la batería no esté funcionando bien.
 			

**NOTA:** Dependiendo de las condiciones de utilización y de la temperatura ambiente, la indicación podrá variar ligeramente de la capacidad real.

**NOTA:** La primera lámpara indicadora (extremo izquierdo) parpadeará cuando el sistema de protección de la batería esté funcionando.

## Sistema de protección de la herramienta / batería

La herramienta está equipada con un sistema de protección de la herramienta/batería. Este sistema corta automáticamente la alimentación al motor para alargar la vida de servicio de la herramienta y la batería. La herramienta se detendrá automáticamente durante la operación si la herramienta o la batería es puesta en una de las condiciones siguientes:

### Protección contra sobrecarga

Cuando la herramienta/batería sea operada de una manera que le haga absorber una corriente anormalmente alta, la herramienta se detendrá automáticamente. En esta situación, apague la herramienta y detenga la tarea que ocasiona la sobrecarga de la herramienta. Después encienda la herramienta para volver a empezar.

### Protección contra el recalentamiento

Cuando la herramienta/batería se recalienta, la herramienta se detiene automáticamente. En esta situación, deje que la herramienta/batería se enfríe antes de encender la herramienta otra vez.

### Protección contra descarga excesiva

Cuando la capacidad de batería no es suficiente, la herramienta se detiene automáticamente. En este caso, retire la batería de la herramienta y cargue la batería.

## Interruptor de alimentación principal

**⚠ADVERTENCIA:** Desactive siempre el interruptor de alimentación principal cuando no se esté utilizando.

Para poner la herramienta en espera, presione el botón de alimentación principal hasta que la lámpara de alimentación principal se ilumine. Para apagar, presione el botón de alimentación principal otra vez.

► **Fig.6:** 1. Botón de alimentación principal

**NOTA:** Esta herramienta emplea la función de desconexión automática de la alimentación. Para evitar una puesta en marcha no intencionada, el interruptor de alimentación principal se inhabilitará automáticamente cuando no se apriete el gatillo interruptor durante un cierto periodo de tiempo después de activar el interruptor de alimentación principal.

## Accionamiento del interruptor

**⚠PRECAUCIÓN:** Antes de insertar el cartucho de batería en la herramienta, compruebe siempre para cerciorarse de que el gatillo interruptor se acciona debidamente y que vuelve a la posición "OFF" cuando lo suelta.

► **Fig.7:** 1. Gatillo interruptor

Para poner en marcha la herramienta, apriete el gatillo interruptor con el interruptor de alimentación principal activado. La velocidad de la herramienta aumenta incrementando la presión en el gatillo interruptor. Suelte el gatillo interruptor para parar.

**NOTA:** La herramienta se parará automáticamente si sigue apretando el gatillo interruptor durante unos 6 minutos.

## Encendido de la lámpara delantera

**⚠PRECAUCIÓN:** No mire a la luz ni vea la fuente de luz directamente.

► **Fig.8:** 1. Lámpara

Apriete el gatillo interruptor para encender la lámpara. La lámpara seguirá encendida mientras el gatillo interruptor esté siendo apretado. La lámpara se apagará 10 segundos aproximadamente después de soltar el gatillo interruptor.

**NOTA:** Cuando la herramienta se recalienta, la herramienta se detiene automáticamente y la lámpara comienza a parpadear. En este caso, suelte el gatillo interruptor. La lámpara se apaga en 5 minutos.

**NOTA:** Utilice un paño seco para quitar la suciedad de la lente de la lámpara. Tenga cuidado de no rayar la lente de la lámpara, porque podrá disminuir la iluminación.

## Accionamiento del interruptor inversor

**⚠PRECAUCIÓN:** Confirme siempre la dirección de giro antes de la operación.

**⚠PRECAUCIÓN:** Utilice el interruptor inversor solamente después de que la herramienta se haya parado completamente. Si cambia la dirección de giro antes de que la herramienta se haya parado podrá dañarla.

**⚠PRECAUCIÓN:** Cuando no esté utilizando la herramienta, ponga siempre la palanca del interruptor inversor en la posición neutral.

Esta herramienta tiene un interruptor inversor para cambiar la dirección de giro. Presione hacia dentro la palanca del interruptor inversión del lado A para giro hacia la derecha o del lado B para giro hacia la izquierda.

Cuando la palanca del interruptor inversor está en la posición neutral, la palanca del interruptor no se puede apretar.

► **Fig.9:** 1. Palanca del interruptor inversor






## Función de cambio automático de velocidad

Esta herramienta tiene "modo de velocidad alta" y "modo de par alto". La herramienta cambia automáticamente el modo de operación dependiendo de la carga de trabajo. Cuando la carga de trabajo sea baja, la herramienta funcionará en "modo de velocidad alta" para una operación más rápida. Cuando la carga de trabajo sea alta, la herramienta funcionará en "modo de par alto" para una operación potente.

► **Fig.10:** 1. Indicador de modo

El indicador de modo se ilumina en verde cuando la herramienta está funcionando en "modo de par alto". Si la herramienta es operada con demasiada carga, el indicador de modo parpadeará en verde. El indicador de modo dejará de parpadear y después se encenderá o se apagará si usted reduce la carga aplicada a la herramienta.

Estado del indicador de modo			Modo de operación
● Encendido	○ Apagado	● Parpadeando	
			Modo de velocidad alta
			Modo de par alto
			Alerta de sobrecarga

## Cambio de velocidad

**AVISO:** Utilice el pomo de cambio de velocidad solamente después de que la herramienta se haya parado completamente. Si cambia la velocidad de la herramienta antes de que la herramienta se haya parado la herramienta se podrá dañar.

**AVISO:** Ponga siempre el pomo de cambio de velocidad con cuidado en la posición correcta. Si utiliza la herramienta con el pomo de cambio de velocidad puesto a mitad entre la posición 1 y la posición 2, la herramienta se podrá dañar.

Con el pomo de cambio de velocidad se pueden seleccionar dos gamas de velocidades. Para cambiar la velocidad, presione hacia abajo el botón de bloqueo y gire el pomo de cambio de velocidad de forma que el puntero apunte a la posición 1 para velocidad baja o a la posición 2 para velocidad alta.

► **Fig.11:** 1. Botón de bloqueo 2. Puntero 3. Pomo de cambio de velocidad

## Limitador del par

El limitador del par se acciona cuando se alcanza un cierto nivel de par en el ajuste de velocidad baja (posición 1). El motor se desembragará del eje de salida. Cuando ocurra esto, la broca dejará de girar.

## Agujero para correa

**⚠ ADVERTENCIA:** No utilice el agujero para correa para ningún otro propósito que el de colgar la herramienta o que el de antirrobo de la herramienta. De lo contrario, podrán ocurrir heridas personales.

► **Fig.12:** 1. Agujero para correa

## MONTAJE

### Instalación o extracción del cartucho de batería

**⚠ PRECAUCIÓN:** Apague siempre la herramienta antes de instalar o retirar el cartucho de batería.

**⚠ PRECAUCIÓN:** Sujete la herramienta y el cartucho de batería firmemente cuando instale o retire el cartucho de batería. Si no sujeta la herramienta y el cartucho de batería firmemente podrán caérsele de las manos y resultar en daños a la herramienta y al cartucho de batería y heridas personales.

► **Fig.13:** 1. Indicador rojo 2. Botón 3. Cartucho de batería

Para retirar el cartucho de batería, deslícelo de la herramienta mientras desliza el botón de la parte frontal del cartucho.

Para instalar el cartucho de batería, alinee la lengüeta del cartucho de batería con la ranura del alojamiento y deslícelo al interior hasta encajarlo en su sitio. Insértelo por completo hasta que se bloquee en su sitio con un pequeño chasquido. Si puede ver el indicador rojo como se muestra en la figura, no estará bloqueado completamente.

**⚠ PRECAUCIÓN:** Instale siempre el cartucho de batería completamente hasta que no pueda verse el indicador rojo. En caso contrario, podrá caerse accidentalmente de la herramienta y ocasionarle heridas a usted o a alguien que esté cerca de usted.

**⚠ PRECAUCIÓN:** No instale el cartucho de batería empleando fuerza. Si el cartucho no se desliza al interior fácilmente, será porque no está siendo insertado correctamente.

## Montaje del barreno

**⚠ PRECAUCIÓN:** Asegúrese siempre de que la herramienta está apagada y el cartucho de batería retirado antes de realizar cualquier trabajo en la herramienta.

**⚠ PRECAUCIÓN:** Cuando instale el adaptador de barreno en el mandril, asegúrese de que el adaptador de barreno está insertado completamente.

**⚠ PRECAUCIÓN:** Cuando coloque el barreno en el adaptador de barreno, asegúrese de que el pasador del barreno está bloqueado e inspeccione el pasador del barreno por si está dañado.

**⚠ PRECAUCIÓN:** Cuando transporte la herramienta, retire el barreno de la herramienta.

## Instalación o desmontaje del adaptador de barreno

Para montar el barreno, instale el adaptador de barreno previamente. Para instalar el adaptador de barreno, coloque el adaptador de barreno en el mandril a fondo. Apriete el mandril girando el manguito a mano.

Coloque la llave de mandril en el agujero del mandril y apriete hacia la derecha. Asegúrese de apretar todos los tres agujeros del mandril uniformemente.

Para retirar el adaptador de barreno, gire la llave de mandril hacia la izquierda en un solo agujero, después afloje el mandril a mano.

► **Fig.14:** 1. Llave de mandril 2. Mandril 3. Manguito

Después de la utilización, vuelva a poner la llave de mandril en la cavidad de almacenamiento de la herramienta como se muestra en la ilustración.

► **Fig.15**

## Montaje del barreno en el adaptador de barreno

**NOTA:** La forma y el mecanismo del barreno y del pasador del barreno pueden variar dependiendo de su barreno.

Alinee el agujero del adaptador de barreno con el agujero del barreno.

Ponga el barreno en el adaptador de barreno.

► **Fig.16:** 1. Barreno 2. Adaptador de barreno

Fije el barreno con el pasador del barreno y el seguro.

► **Fig.17:** 1. Pasador del barreno 2. Seguro

## OPERACIÓN

**PRECAUCIÓN:** Esta es una herramienta potente que genera un par alto. Es importante que la herramienta sea sujeta firmemente y apoyada debidamente.

**PRECAUCIÓN:** Antes de la operación, compruebe que no hay materias extrañas (arena, suciedad, etc.) pegada en las aberturas o partes móviles.

## Postura de trabajo

Mantener una posición de operación apropiada es uno de los procedimientos más importantes y efectivos para controlar los contragolpes. Mantenga el posicionamiento apropiado practicando los puntos siguientes.

- Posicione la herramienta de manera que la barra del receptor de reacción esté siempre en contacto con el costado izquierdo de su cintura.
- Agarre la empuñadura y la empuñadura lateral con ambas manos. Pliegue los dedos alrededor de las áreas de asimiento, manteniendo las áreas de asimiento sujetadas entre los dedos pulgar e índice.
- Mantenga la espalda lo más vertical posible doblando las piernas según se requiera durante el proceso de excavado.
- Esté en alerta ante la fuerza de reacción de torsión de la herramienta. Mantenga siempre la posición de operación que pueda soportar la fuerza de reacción de torsión.

► **Fig.18:** 1. Mango 2. Empuñadura lateral 3. Barra del receptor de reacción

**ADVERTENCIA:** Evite un posicionamiento incorrecto. No se ponga demasiado alejado de la herramienta. Podría no lograrse una reacción y control apropiados en caso de un contragolpe.

► **Fig.19**

## Operación de excavado

**PRECAUCIÓN:** Sujete la herramienta firmemente cuando la esté utilizando.

**PRECAUCIÓN:** Cuando deje la herramienta, como durante un descanso, no deje la herramienta clavada en el suelo ni apoyada contra una pared. Almacene la herramienta en una condición estable.

**AVISO:** Cuando la velocidad de giro baje mucho, reduzca la carga o detenga la herramienta para evitar dañarla.

**AVISO:** Con ejercer una presión excesiva sobre la herramienta no conseguirá excavar más rápido. De hecho, esta presión excesiva sólo servirá para dañar la punta del barreno, disminuir el rendimiento de la herramienta y acortar la vida de servicio de la herramienta.

**AVISO:** Evite excavar en material que sospeche que contiene clavos ocultos u otras cosas que puedan ocasionar que el barreno se trabe o se rompa.

**AVISO:** Si la herramienta es utilizada continuamente hasta que el cartucho de batería se haya agotado, deje descansar la herramienta durante 15 minutos antes de proceder con una batería cargada.

- Seleccione la velocidad (alta/baja) debidamente en función del diámetro del agujero y la condición del terreno.
- Cuando excave un agujero profundo o excave en suelo arcilloso, no intente excavar de una sola vez. Excave el agujero subiendo y bajando la herramienta de manera que la tierra del agujero pueda ser vaciada.
- Si la velocidad de giro de la herramienta se reduce debido a una operación de mucha carga, suba la herramienta un poco, y mueva la herramienta hacia arriba y hacia abajo para excavar en pequeños incrementos.

## Cuando gire el barreno en reverso

Un barreno atascado podrá extraerse simplemente poniendo el interruptor inversor en giro inverso para que retroceda.

Cuando invierta el giro, apoye la herramienta en su cuerpo para evitar una reacción hacia la derecha.

► **Fig.20**

**PRECAUCIÓN:** Sujete la herramienta firmemente. La herramienta podrá retroceder de forma abrupta y ocasionar heridas.

# MANTENIMIENTO

**⚠PRECAUCIÓN:** Asegúrese siempre de que la herramienta está apagada y de que el cartucho de batería está retirado antes de intentar hacer una inspección o mantenimiento.

**AVISO:** No utilice nunca gasolina, bencina, disolvente, alcohol o similares. Podría producir descoloración, deformación o grietas.

Para mantener la SEGURIDAD y FIABILIDAD del producto, las reparaciones, y cualquier otra tarea de mantenimiento o ajuste deberán ser realizadas en centros de servicio o de fábrica autorizados por Makita, empleando siempre repuestos Makita.

# ACCESORIOS OPCIONALES

**⚠PRECAUCIÓN:** Estos accesorios o aditamentos están recomendados para su uso con la herramienta Makita especificada en este manual.

El uso de cualquier otro accesorio o aditamento puede suponer un riesgo de heridas personales. Utilice el accesorio o aditamento solamente con la finalidad indicada para el mismo.

Si necesita cualquier ayuda para más detalles en relación con estos accesorios, pregunte al centro de servicio Makita local.

- Barrenos
- Adaptador de barreno
- Batería y cargador genuinos de Makita

**NOTA:** Algunos elementos de la lista podrán estar incluidos en el paquete de la herramienta como accesorios estándar. Pueden variar de un país a otro.

## ESPECIFICAÇÕES

<b>Modelo:</b>		<b>DDG460</b>
Velocidade sem carga	Alta	0 - 1.400 min <sup>-1</sup>
	Baixa	0 - 350 min <sup>-1</sup>
Capacidades de perfuração (Diâmetro)	Alta	Para solo arenoso: ø60 mm Para solo argiloso: ø60 mm
	Baixa	Para solo arenoso: ø200 mm Para solo argiloso: ø150 mm
Comprimento total		840 mm
Tensão nominal		CC 36 V
Peso líquido		7,3 - 8,2 kg

- Devido a um programa contínuo de pesquisa e desenvolvimento, estas especificações estão sujeitas a alteração sem aviso prévio.
- As especificações podem variar de país para país.
- O peso poderá diferir em função do acessório(s), incluindo a bateria. A combinação mais leve e mais pesada, de acordo com o Procedimento EPTA 01/2014, é apresentada na tabela.

### Bateria e carregador aplicável

Bateria	BL1815N / BL1820B / BL1830B / BL1840B / BL1850B / BL1860B
Carregador	DC18RC / DC18RD / DC18RE / DC18SD / DC18SE / DC18SF / DC18SH / DC18WC

- Algumas das baterias e carregadores listados acima poderão não estar disponíveis, dependendo da sua região de residência.

**⚠AVISO:** Utilize apenas as baterias e carregadores listados acima. A utilização de quaisquer outras baterias e carregadores pode causar ferimentos e/ou um incêndio.

### Fonte de alimentação ligada por fio recomendada

Adaptador de baterias tipo mochila	PDC01 / PDC1200
------------------------------------	-----------------

- A(s) fonte(s) de alimentação ligada(s) por fio listada(s) acima pode(m) não estar disponível(eis) dependendo da sua região de residência.
- Antes de utilizar a fonte de alimentação ligada por fio, leia as instruções e etiquetas de precaução na mesma.

### Utilização a que se destina

A ferramenta foi concebida para perfuração do solo.

### Ruído

A característica do nível de ruído A determinado de acordo com a EN62841-2-1:

Nível de pressão acústica ( $L_{pA}$ ): 85 dB (A)

Nível de potência acústica ( $L_{WA}$ ): 96 dB (A)

Variabilidade (K): 3 dB (A)

**NOTA:** O(s) valor(es) da emissão de ruído indicado(s) foi medido de acordo com um método de teste padrão e pode ser utilizado para comparar duas ferramentas.

**NOTA:** O(s) valor(es) da emissão de ruído indicado(s) pode também ser utilizado na avaliação preliminar da exposição.

**⚠AVISO:** Utilize protetores auriculares.

**⚠AVISO:** A emissão de ruído durante a utilização real da ferramenta elétrica pode diferir do(s) valor(es) indicado(s), dependendo das formas como a ferramenta é utilizada, especialmente o tipo de peça de trabalho que é processada.

**⚠AVISO:** Certifique-se de identificar as medidas de segurança para proteção do operador que sejam baseadas em uma estimativa de exposição em condições reais de utilização (considerando todas as partes do ciclo de operação, tal como quando a ferramenta está desligada e quando está a funcionar em marcha lenta além do tempo de acionamento).

## Vibração

Valor total da vibração (soma vetorial tri-axial) determinado de acordo com a EN62841-2-1:

Emissão de vibração ( $a_{h,D}$ ): 2,5 m/s<sup>2</sup> ou menos

Variabilidade (K): 1,5 m/s<sup>2</sup>

**NOTA:** O(s) valor(es) total(ais) de vibração indicado(s) foi medido de acordo com um método de teste padrão e pode ser utilizado para comparar duas ferramentas.

**NOTA:** O(s) valor(es) total(ais) de vibração indicado(s) pode também ser utilizado na avaliação preliminar da exposição.

**⚠️ AVISO:** A emissão de vibração durante a utilização real da ferramenta elétrica pode diferir do(s) valor(es) indicado(s), dependendo das formas como a ferramenta é utilizada, especialmente o tipo de peça de trabalho que é processada.

**⚠️ AVISO:** Certifique-se de identificar as medidas de segurança para proteção do operador que sejam baseadas em uma estimativa de exposição em condições reais de utilização (considerando todas as partes do ciclo de operação, tal como quando a ferramenta está desligada e quando está a funcionar em marcha lenta além do tempo de acionamento).

## Declaração de conformidade da CE

*Apenas para os países europeus*

A declaração de conformidade da CE está incluída como Anexo A neste manual de instruções.

## AVISOS DE SEGURANÇA

### Avisos gerais de segurança para ferramentas elétricas

**⚠️ AVISO:** Leia todos os avisos de segurança, instruções, ilustrações e especificações fornecidos com esta ferramenta elétrica. O não cumprimento de todas as instruções indicadas em baixo pode resultar em choque elétrico, incêndio e/ou ferimentos graves.

### Guarde todos os avisos e instruções para futuras referências.

O termo "ferramenta elétrica" nos avisos refere-se às ferramentas elétricas ligadas à corrente elétrica (com cabo) ou às ferramentas elétricas operadas por meio de bateria (sem cabo).

### Avisos de segurança do perfurador de solo a bateria

1. **Segure a ferramenta com as duas mãos nas pegas previstas.** A perda de controlo pode causar ferimentos pessoais.
2. **Apoie a ferramenta adequadamente antes da utilização.** Esta ferramenta produz um elevado binário de saída e caso não a apoie adequadamente durante a operação, pode ocorrer a perda de controlo, resultando em ferimentos pessoais.

3. **Segure a ferramenta elétrica pelas superfícies isoladas preparadas para esse fim, quando executar uma operação em que o acessório de escavação possa entrar em contacto com fios ocultos.** O contacto do acessório de escavação com um fio sob tensão pode colocar as peças metálicas expostas da ferramenta elétrica sob tensão e pode provocar um choque elétrico no operador.
4. **Nunca utilize a uma velocidade mais elevada do que a categoria de velocidade máxima da broca de perfuração de solo.** A velocidades mais elevadas, é provável que a broca se dobre se for permitida a respetiva rotação livre sem entrar em contacto com a peça de trabalho, resultando em ferimentos pessoais.
5. **Comece sempre a perfurar o solo a baixa velocidade e com a ponta de perfuração de solo em contacto com o solo.** A velocidades mais elevadas, é provável que a broca se dobre se for permitida a respetiva rotação livre sem entrar em contacto com o solo, resultando em ferimentos pessoais.
6. **Aplique pressão apenas em linha direta com a broca e não aplique pressão excessiva.** As brocas podem dobrar-se provocando quebra ou perda de controlo, resultando em ferimentos pessoais.
7. **O diâmetro externo da broca do perfurador deve estar dentro da capacidade de perfuração especificada neste manual de instruções.** Não é possível controlar adequadamente uma broca do perfurador de tamanho incorreto.
8. **Certifique-se sempre que possui uma base firme.** Certifique-se de que ninguém está por baixo quando usa a ferramenta em locais elevados.
9. **Segure a ferramenta firmemente.**
10. **Mantenha as mãos afastadas das partes giratórias.**
11. **Não deixe a ferramenta a funcionar.** Opere a ferramenta apenas quando a estiver a agarrar.
12. **Não toque na broca do perfurador imediatamente a seguir à operação.** Pode estar extremamente quente e provocar queimaduras na sua pele.
13. **Alguns materiais contêm químicos que podem ser tóxicos.** Tome cuidado para evitar a inalação de poeira e o contacto com a pele. Siga os dados de segurança do fornecedor do material.
14. **Se não for possível soltar a broca do perfurador mesmo se remover o pino do perfurador, utilize um alicate para extraí-la.** Nesse caso, extrair a broca do perfurador manualmente poderá resultar em ferimentos provocados pelo seu bordo afiado.
15. **Se reparar em algo de errado com a ferramenta como, por exemplo, sons anormais, pare imediatamente de operar e solicite a reparação ao centro de assistência Makita local.**
16. **Antes da operação, certifique-se de que não existem objetos enterrados tais como um tubo elétrico, tubo de água ou tubo de gás no solo.** Caso contrário, a ferramenta pode tocar nos mesmos, resultando em choque elétrico, fuga elétrica ou fuga de gás.

## GUARDE ESTAS INSTRUÇÕES.

**AVISO:** NÃO permita que conforto ou familiaridade com o produto (adquirido com o uso repetido) substitua a aderência estrita às regras de segurança da ferramenta. **MÁ INTERPRETAÇÃO** ou não seguimento das regras de segurança estabelecidas neste manual de instruções pode causar danos pessoais sérios.

## Instruções de segurança importantes para a bateria

1. Antes de utilizar a bateria, leia todas as instruções e etiquetas de precaução no (1) carregador de bateria (2) bateria e (3) produto que utiliza a bateria.
2. Não desmonte ou manipule a bateria. Pode resultar num incêndio, em calor excessivo ou numa explosão.
3. Se o tempo de funcionamento se tornar excessivamente curto, pare o funcionamento imediatamente. Pode resultar em sobreaquecimento, possíveis queimaduras e mesmo explosão.
4. Se entrar eletrólito nos seus olhos, lave-os com água e consulte imediatamente um médico. Pode resultar em perda de visão.
5. Não coloque a bateria em curto-circuito:
  - (1) Não toque nos terminais com qualquer material condutor.
  - (2) Evite guardar a bateria juntamente com outros objetos metálicos tais como pregos, moedas, etc.
  - (3) Não exponha a bateria à água ou chuva. Um curto-circuito pode ocasionar um enorme fluxo de corrente, sobreaquecimento, possíveis queimaduras e mesmo estragar-se.
6. Não guarde nem utilize a ferramenta e a bateria em locais onde a temperatura pode atingir ou exceder 50 °C.
7. Não queime a bateria mesmo que esteja estragada ou completamente gasta. A bateria pode explodir no fogo.
8. Não pregue, corte, esmague, atire, deixe cair a bateria, nem bata a bateria contra um objeto rijo. Esta conduta pode resultar num incêndio, em calor excessivo ou numa explosão.
9. Não utilize uma bateria danificada.
10. As baterias de íões de lítio contidas na ferramenta são sujeitas aos requisitos da DGL (Dangerous Goods Legislation - Legislação de bens perigosos).

Para o transporte comercial, por exemplo, por terceiros ou agentes de expedição, têm de ser observados os requisitos referentes à embalagem e etiquetagem.

Para preparação do artigo a ser expedido, é necessário consultar um perito em materiais perigosos. Tenha ainda em conta a possibilidade de existirem regulamentos nacionais mais detalhados.

Coloque fita-cola ou tape os contactos abertos e embale a bateria de tal forma que não possa mover-se dentro da embalagem.

11. Quando eliminar a bateria, remova-a da ferramenta e elimine-a num local seguro. Siga os regulamentos locais relacionados com a eliminação de baterias.
12. Utilize as baterias apenas com os produtos especificados pela Makita. Instalar as baterias em produtos não-conformes poderá resultar num incêndio, calor excessivo, explosão ou fuga de eletrólito.
13. Se a ferramenta não for utilizada durante um período de tempo prolongado, a bateria deve ser removida da ferramenta.
14. Durante e após a utilização, a bateria pode aquecer, o que pode provocar queimaduras ou queimaduras a baixa temperatura. Preste atenção ao manuseamento de baterias quentes.
15. Não toque no terminal da ferramenta imediatamente após a utilização, pois pode ficar suficientemente quente para provocar queimaduras.
16. Não permita a adesão de aparas, pó ou sujidade nos terminais, nos orifícios e nas ranhuras da bateria. Poderá fazer com que a ferramenta ou a bateria aqueça, incendeie, rebente e avarie, resultando em queimaduras ou ferimentos corporais.
17. A menos que a ferramenta suporte a utilização perto de linhas elétricas de alta tensão, não utilize a bateria perto de linhas elétricas de alta tensão. Pode resultar no mau funcionamento ou na avaria da ferramenta ou bateria.
18. Mantenha a bateria afastada das crianças.

## GUARDE ESTAS INSTRUÇÕES.

**PRECAUÇÃO:** Utilize apenas baterias genuínas da Makita. A utilização de baterias não genuínas da Makita ou de baterias que foram alteradas, pode resultar no rebentamento da bateria provocando incêndios, ferimentos pessoais e danos. Além disso, anulará a garantia da Makita no que se refere à ferramenta e ao carregador Makita.

## Conselhos para manter a máxima vida útil da bateria

1. Carregue a bateria antes que esteja completamente descarregada. Pare sempre o funcionamento da ferramenta e carregue a bateria quando notar menos poder na ferramenta.
2. Nunca carregue uma bateria completamente carregada. Carregamento excessivo diminui a vida útil da bateria.
3. Carregue a bateria à temperatura ambiente de 10 °C – 40 °C. Deixe que uma bateria quente arrefeça antes de a carregar.
4. Quando não utilizar a bateria, remova-a da ferramenta ou do carregador.
5. Carregue a bateria se não a utilizar durante um longo período de tempo (mais de seis meses).

## CONFIGURAÇÃO INICIAL

**⚠️ PRECAUÇÃO:** Certifique-se sempre de que a ferramenta está desligada e a bateria retirada antes de executar qualquer trabalho na ferramenta.

## DESCRIÇÃO DAS PEÇAS

► Fig.1

1	Ferramenta principal	2	Pega frontal
3	Pega lateral	4	Recetor de reações
5	Adaptador da broca	6	Chave do mandril
7	Parafuso	8	Chave

### Especificações dos parafusos / das chaves

-	Diâmetro nominal do parafuso	Tamanho da chave (H)
A	M 12	10 mm
B	M 8	6 mm
C	M 6	5 mm

**NOTA:** O tipo de adaptador da broca varia em função do país.

## Configurar a ferramenta

**⚠️ PRECAUÇÃO:** Certifique-se sempre de que a pega lateral e o recetor de reações estão firmemente instalados antes da operação.

**OBSERVAÇÃO:** Não aperte excessivamente os parafusos. Pode danificar a ferramenta.

## Instalar a pega lateral

Remova os parafusos apresentados na figura da ferramenta.

Os parafusos removidos não são necessários para esta ferramenta se pretender utilizá-la como um perfurador de solo a bateria.

Guarde os parafusos para que estes não se percam.

► Fig.2: 1. Parafuso

Coloque a pega lateral na ferramenta.

Aperte temporariamente os quatro parafusos e, em seguida, aperte firmemente os parafusos com a chave.

► Fig.3: 1. Pega lateral 2. Parafuso A 3. Parafuso B

## Instalar o recetor de reações

Coloque o recetor de reações de modo que a barra do recetor de reações fique no lado esquerdo do operador. Ajuste a posição do recetor de reações de modo que o eixo do mandril da broca fique posicionado no centro do corpo do operador.

Aperte firmemente os parafusos.

► Fig.4: 1. Barra do recetor de reações 2. Parafuso C

## DESCRIÇÃO FUNCIONAL


















**⚠️ PRECAUÇÃO:** Certifique-se sempre de que a ferramenta está desligada e a bateria foi retirada antes de regular ou verificar qualquer função na ferramenta.

## Indicação da capacidade restante da bateria

### Apenas para baterias com indicador

► Fig.5: 1. Luzes indicadoras 2. Botão de verificação

Prima o botão de verificação na bateria para indicar a capacidade restante da bateria. As luzes indicadoras acendem durante alguns segundos.

Luzes indicadoras			Capacidade restante
 Aceso	 Apagado	 A piscar	
			75% a 100%
			50% a 75%
			25% a 50%
			0% a 25%
			Carregar a bateria.
			A bateria pode estar avariada.
			

**NOTA:** Dependendo das condições de utilização e da temperatura ambiente, a indicação pode ser ligeiramente diferente da capacidade real.

**NOTA:** A primeira luz indicadora (extremo esquerdo) pisca quando o sistema de proteção da bateria funciona.

## Sistema de proteção da ferramenta/bateria

A ferramenta está equipada com um sistema de proteção da ferramenta/bateria. Este sistema corta automaticamente a corrente para o motor para aumentar a vida da ferramenta e da bateria. A ferramenta para automaticamente durante o funcionamento se a ferramenta ou bateria for colocada mediante uma das seguintes condições:

### Proteção contra sobrecarga

Quando a ferramenta/bateria estiver a operar de uma forma que cause a absorção anormal de corrente elétrica, a ferramenta para automaticamente. Nesta situação, desligue a ferramenta e pare a aplicação que causou a sobrecarga da ferramenta. De seguida, ligue a ferramenta para reiniciar.

## Proteção contra sobreaquecimento

Quando a ferramenta/bateria fica sobreaquecida, a ferramenta para automaticamente. Neste caso, deixe a ferramenta/bateria arrefecer antes de voltar a ligar a ferramenta.

## Proteção contra descarga excessiva

Quando a capacidade da bateria não é suficiente, a ferramenta para automaticamente. Neste caso, retire a bateria da ferramenta e carregue-a.

## Interruptor de alimentação principal

**AVISO:** Desligue sempre o interruptor de alimentação principal quando não está a utilizar.

Para preparar o arranque da ferramenta, prima o botão de alimentação principal até a luz de alimentação principal acender. Para desligar, prima novamente o botão de alimentação principal.

► **Fig.6:** 1. Botão de alimentação principal

**NOTA:** Esta ferramenta tem uma função de desligar automático. Para evitar o arranque não intencional, o interruptor de alimentação principal desliga automaticamente quando o gatilho do interruptor não é puxado durante um determinado período de tempo, depois de se ligar o interruptor de alimentação principal.

## Ação do interruptor

**PRECAUÇÃO:** Antes de colocar a bateria na ferramenta, verifique sempre se o gatilho do interruptor funciona corretamente e volta para a posição "OFF" quando libertado.

► **Fig.7:** 1. Gatilho

Para iniciar a ferramenta, puxe o gatilho do interruptor com o interruptor de alimentação principal ligado. A velocidade da ferramenta aumenta quando aumenta a pressão no gatilho do interruptor. Liberte o gatilho do interruptor para parar.

**NOTA:** A ferramenta para automaticamente se continuar a puxar o gatilho durante cerca de 6 minutos.

## Acender a lâmpada da frente

**PRECAUÇÃO:** Não olhe para a luz ou para a fonte de iluminação diretamente.

► **Fig.8:** 1. Lâmpada

Puxe o gatilho do interruptor para acender a lâmpada. A lâmpada mantém-se acesa enquanto o gatilho do interruptor estiver a ser premido. A lâmpada apaga-se aproximadamente 10 segundos após soltar o gatilho do interruptor.

**NOTA:** Quando a ferramenta fica sobreaquecida, a ferramenta para automaticamente e a luz começa a piscar. Neste caso, solte o gatilho do interruptor. A luz desliga ao fim de 5 minutos.

**NOTA:** Utilize um pano seco para limpar a sujidade da lente da lâmpada. Tenha cuidado para não riscar a lente da lâmpada ou a iluminação pode ficar enfraquecida.

## Ação do interruptor de inversão

**PRECAUÇÃO:** Verifique sempre a direção de rotação antes da operação.

**PRECAUÇÃO:** Só utilize o interruptor de inversão depois de a ferramenta estar completamente parada. Mudar a direção de rotação antes de a ferramenta parar pode estragar a ferramenta.

**PRECAUÇÃO:** Quando não estiver a utilizar a ferramenta, coloque sempre a alavanca do interruptor de inversão na posição neutra.

Esta ferramenta tem um interruptor de inversão para mudar a direção de rotação. Pressione a alavanca do interruptor de inversão no lado A para rotação para a direita ou no lado B para rotação para a esquerda. Quando a alavanca do interruptor de inversão está na posição neutra, não é possível puxar a alavanca do interruptor.

► **Fig.9:** 1. Alavanca do interruptor de inversão

## Função de mudança de velocidade automática

Esta ferramenta possui o "modo de alta velocidade" e o "modo de alto binário".

A ferramenta muda automaticamente o modo de funcionamento dependendo da carga de trabalho. Quando a carga de trabalho for baixa, a ferramenta funciona no "modo de alta velocidade" para um funcionamento mais rápido. Quando a carga de trabalho for alta, a ferramenta funciona no "modo de binário alto" para um funcionamento mais potente.

► **Fig.10:** 1. Indicador de modo

O indicador de modo acende a verde quando a ferramenta está a funcionar no "modo de binário alto". Se a ferramenta for operada com carga excessiva, o indicador de modo piscará a verde. O indicador de modo para de piscar e acende de seguida ou desliga se reduzir a carga na ferramenta.

Estado do indicador de modo			Modo de operação
● Ligado	○ Desligado	● A piscar	
			Modo de alta velocidade
			Modo de binário alto
			Alerta de sobrecarga



## Mudança de velocidade

**OBSERVAÇÃO:** Utilize o botão de mudança de velocidade apenas após a paragem completa da ferramenta. Se mudar a velocidade da ferramenta antes de a ferramenta parar pode danificar a ferramenta.

**OBSERVAÇÃO:** Regule sempre o botão de mudança de velocidade cuidadosamente para a posição correta. Se operar a ferramenta com o botão de mudança de velocidade posicionado a meio entre a posição 1 e a posição 2, a ferramenta pode ficar danificada.

É possível pré-selecionar duas gamas de velocidade com o botão de mudança de velocidade. Para alterar a velocidade, prima o botão de bloqueio e rode o botão de mudança de velocidade, de modo que o indicador aponte para a posição 1 para baixa velocidade ou a posição 2 para alta velocidade.

► **Fig.11:** 1. Botão de bloqueio 2. Indicador 3. Botão de mudança de velocidade

## Limitador do binário

O limitador do binário atua quando é atingido um determinado nível de binário à definição de velocidade baixa (posição 1). O motor desengata do eixo de saída. Quando isso acontece, a broca de perfuração para de rodar.

## Orifício da correia

**AVISO:** Não utilize o orifício da correia para qualquer outra finalidade que não a de pendurar a ferramenta ou evitar o roubo da ferramenta. Caso contrário, podem ocorrer ferimentos pessoais.

► **Fig.12:** 1. Orifício da correia

# MONTAGEM

## Instalação ou remoção da bateria

**PRECAUÇÃO:** Desligue sempre a ferramenta antes de colocar ou retirar a bateria.

**PRECAUÇÃO:** Segure firmemente a ferramenta e a bateria quando instalar ou remover a bateria. Se não segurar firmemente a ferramenta e a bateria pode fazer com que escorreguem das suas mãos resultando em danos na ferramenta e na bateria e ferimentos pessoais.

► **Fig.13:** 1. Indicador vermelho 2. Botão 3. Bateria

Para retirar a bateria, deslize-a para fora da ferramenta enquanto desliza o botão na frente da bateria.

Para instalar a bateria, alinhe a lingueta na bateria com a ranhura na caixa e deslize-a para a posição correta. Insira-a por completo até bloquear na posição correta com um pequeno clique. Se conseguir ver o indicador vermelho conforme apresentado na figura, não está completamente bloqueada.

**PRECAUÇÃO:** Instale sempre a bateria até ao fim, até deixar de ver o indicador vermelho. Caso contrário, a bateria poderá cair da ferramenta acidentalmente e provocar ferimentos em si mesmo ou em alguém próximo.

**PRECAUÇÃO:** Não instale a bateria à força. Se a bateria não deslizar facilmente é porque não foi colocada corretamente.

## Montar a broca do perfurador

**PRECAUÇÃO:** Certifique-se sempre de que a ferramenta está desligada e a bateria retirada antes de executar qualquer trabalho na ferramenta.

**PRECAUÇÃO:** Quando instalar o adaptador da broca no mandril, certifique-se de que o adaptador da broca está totalmente inserido.

**PRECAUÇÃO:** Quando prender a broca do perfurador no adaptador da broca, certifique-se de que o pino do perfurador está bloqueado e inspecione o pino do perfurador para ver se apresenta alguns danos.

**PRECAUÇÃO:** Quando transportar a ferramenta, remova a broca do perfurador da ferramenta.

## Instalar ou remover o adaptador da broca

Para montar a broca do perfurador, instale previamente o adaptador da broca.

Para instalar o adaptador da broca, coloque o adaptador da broca no mandril até ao fim. Aperte o mandril rodando a manga manualmente.

Coloque a chave do mandril no orifício do mandril e aperte para a direita. Certifique-se de que aperta os três orifícios do mandril uniformemente.

Para remover o adaptador da broca, rode a chave do mandril para a esquerda em apenas um orifício e, em seguida, solte o mandril à mão.

► **Fig.14:** 1. Chave do mandril 2. Mandril 3. Manga

Após a utilização, volte a colocar a chave do mandril na cavidade de armazenamento na ferramenta, conforme ilustrado.

► **Fig.15**

## Montar a broca do perfurador no adaptador da broca

**NOTA:** A forma e o mecanismo da broca do perfurador e do pino do perfurador podem variar dependendo da broca do perfurador.

Alinhe o orifício no adaptador da broca com o orifício na broca do perfurador.

Coloque a broca do perfurador no adaptador da broca.

► **Fig.16:** 1. Broca do perfurador 2. Adaptador da broca

Fixe a broca do perfurador com o pino do perfurador e o fecho de segurança.

► **Fig.17:** 1. Pino do perfurador 2. Fecho de segurança

## OPERAÇÃO

**⚠️ PRECAUÇÃO:** Esta é uma ferramenta poderosa que gera um binário elevado. É importante que a ferramenta esteja bem segura e devidamente suportada.

**⚠️ PRECAUÇÃO:** Antes de utilizar, verifique se não existem matérias estranhas (areia, sujidade, etc.) presas nas aberturas ou peças móveis.

### Postura de trabalho

A manutenção de uma posição de operação adequada é um dos procedimentos mais importantes e eficazes para controlar os recuos.

Mantenha um posicionamento adequado executando os seguintes pontos.

- Posicione a ferramenta de forma que a barra do recetor de reações fique sempre em contacto no lado esquerdo da sua cintura.
- Agarre a pega e a pega lateral com as duas mãos. Enrole os dedos em redor das áreas de agarramento, mantendo as áreas de agarramento colocadas entre os seus polegares e indicadores.
- Mantenha as suas costas o mais verticais possível dobrando as pernas conforme necessário durante o processo de escavação.
- Mantenha-se alerta à força de reação do binário da ferramenta. Mantenha sempre uma posição de operação que lhe permita suportar a força de reação do binário.

► Fig.18: 1. Pega 2. Pega lateral 3. Barra do recetor de reações

**⚠️ AVISO:** Evite um posicionamento inadequado. Não fique muito afastado da ferramenta. A reação e o controlo adequados podem não ser alcançados em caso de recuo.

► Fig.19

### Operação de escavação

**⚠️ PRECAUÇÃO:** Segure a ferramenta firmemente quando operar a ferramenta.

**⚠️ PRECAUÇÃO:** Quando deixar a ferramenta, por exemplo durante uma pausa, não deixe a ferramenta cravada no solo ou apoiada contra uma parede. Guarde a ferramenta numa condição estável.

**OBSERVAÇÃO:** Quando a velocidade de rotação baixar excessivamente, reduza a carga ou pare a ferramenta para evitar danos na ferramenta.

**OBSERVAÇÃO:** Não acelerará a escavação se exercer demasiada pressão na ferramenta. Na realidade, esta pressão excessiva servirá apenas para danificar a ponta da broca do perfurador, diminuir o desempenho da ferramenta e encurtar a vida útil da ferramenta.

**OBSERVAÇÃO:** Evite escavar em material que suspeite conter pregos ocultos ou outras coisas que possam causar o enlace ou a quebra da broca do perfurador.

**OBSERVAÇÃO:** Se a ferramenta funcionar continuamente até a bateria ficar gasta, deixe a ferramenta de lado por 15 minutos antes de prosseguir com uma bateria carregada.

- Selecione a velocidade (alta/baixa) de forma apropriada em função do diâmetro do orifício e da condição do solo.
- Quando escavar um orifício profundo ou escavar em solo argiloso, não tente escavar de uma só vez. Escave o orifício levantando e baixando a ferramenta de modo que o solo no orifício possa ser libertado.
- Se a velocidade de rotação da ferramenta abrandar devido a uma operação de carga alta, levante a ferramenta um pouco e desloque a ferramenta para cima e para baixo para escavar em pequenos passos.

### Quando rodar a broca do perfurador ao contrário

Uma broca do perfurador presa pode ser retirada colocando simplesmente o interruptor de inversão para rotação inversa para fazê-la sair.

Quando em inversão, suporte a ferramenta com o seu corpo para evitar uma reação para a direita.

► Fig.20

**⚠️ PRECAUÇÃO:** Segure firmemente a ferramenta. A ferramenta pode saltar para trás abruptamente e causar ferimentos.

## MANUTENÇÃO

**⚠️ PRECAUÇÃO:** Certifique-se sempre de que a ferramenta se encontra desligada e de que a bateria foi retirada antes de executar qualquer inspeção ou manutenção.

**OBSERVAÇÃO:** Nunca utilize gasolina, benzina, diluente, álcool ou produtos semelhantes. Pode ocorrer a descoloração, deformação ou rachaduras.

Para manter a SEGURANÇA e a FIABILIDADE do produto, as reparações e qualquer outra manutenção ou ajuste devem ser levados a cabo pelos centros de assistência Makita autorizados ou pelos centros de assistência de fábrica, utilizando sempre peças de substituição Makita.

## ACESSÓRIOS OPCIONAIS

**⚠️ PRECAUÇÃO:** Estes acessórios ou peças são recomendados para utilização com a ferramenta Makita especificada neste manual. A utilização de outros acessórios ou peças pode ser perigosa para as pessoas. Utilize apenas acessórios ou peças para os fins indicados.

Se necessitar de informações adicionais relativas a estes acessórios, solicite-as ao seu centro de assistência Makita.

- Brocas do perfurador
- Adaptador da broca
- Bateria e carregador genuínos da Makita

**NOTA:** Alguns itens da lista podem estar incluídos na embalagem da ferramenta como acessórios padrão. Eles podem variar de país para país.

## SPECIFIKATIONER

<b>Model:</b>		<b>DDG460</b>
Hastighed uden belastning	Høj	0 - 1.400 min <sup>-1</sup>
	Lav	0 - 350 min <sup>-1</sup>
Borekapacitet (Diameter)	Høj	For sandet jord: ø60 mm For leret jord: ø60 mm
	Lav	Til sandet jord: ø200 mm Til leret jord: ø150 mm
Længde i alt		840 mm
Mærkespænding		D.C. 36 V
Nettovægt		7,3 - 8,2 kg

- På grund af vores kontinuerlige forsknings- og udviklingsprogrammer kan hosstående specifikationer blive ændret uden varsel.
- Specifikationer kan variere fra land til land.
- Vægten kan være anderledes afhængigt af tilbehøret, inklusive akkuen. Den letteste og tungeste kombination i henhold til EPTA-procedure 01/2014 er vist i tabellen.

### Anvendelig akku og oplader

Akku	BL1815N / BL1820B / BL1830B / BL1840B / BL1850B / BL1860B
Oplader	DC18RC / DC18RD / DC18RE / DC18SD / DC18SE / DC18SF / DC18SH / DC18WC

- Nogle af de akkuer og opladere, der er angivet ovenfor, er muligvis ikke tilgængelige, afhængigt af hvilket område du bor i.

**⚠ ADVARSEL:** Brug kun de akkuer og opladere, der er angivet ovenfor. Brug af andre akkuer og opladere kan medføre personskaade og/eller brand.

### Anbefalet ledningstilsluttet strømforsyningskilde

Bærbar strømforsyning	PDC01 / PDC1200
-----------------------	-----------------

- Den eller de ovenfor anførte ledningstilsluttede strømforsyningskilder er muligvis ikke tilgængelige, afhængigt af hvilket område du bor i.
- Inden du bruger den ledningstilsluttede strømforsyningskilde, skal du læse instruktionen og advarselmærkerne på dem.

### Tilsluttet anvendelse

Denne maskine er beregnet til at bore i jorden.

### Støj

Det typiske A-vægtede støjniveau bestemt i overensstemmelse med EN62841-2-1:

Lydtryksniveau ( $L_{pA}$ ): 85 dB (A)

Lydeffektniveau ( $L_{WA}$ ): 96 dB (A)

Usikkerhed (K): 3 dB (A)

**BEMÆRK:** De(n) angivne støjemissionsværdi(er) er målt i overensstemmelse med en standardtestmetode og kan anvendes til at sammenligne en maskine med en anden.

**BEMÆRK:** De(n) angivne støjemissionsværdi(er) kan også anvendes i en præliminær eksponeringsvurdering.

**⚠ ADVARSEL:** Bær høreværn.

**⚠ ADVARSEL:** Støjemissionen under den faktiske anvendelse af maskinen kan være forskellig fra de(n) angivne værdi(er), afhængigt af den måde hvorpå maskinen anvendes, især den type arbejdsemne der behandles.

**⚠ ADVARSEL:** Sørg for at identificere de sikkerhedsforskrifter til beskyttelse af operatøren, som er baseret på en vurdering af eksponering under de faktiske brugsforhold (med hensyntagen til alle dele i brugscyklussen, f.eks. de gange, hvor maskinen er slukket, og når den kører i tomgang i tilgift til afbrydertiden).

## Vibration

Vibrationens totalværdi (tre-aksial vektorsum) bestemt i overensstemmelse med EN62841-2-1:

Vibrationsemission ( $a_{h,D}$ ): 2,5 m/s<sup>2</sup> eller mindre

Usikkerhed (K): 1,5 m/s<sup>2</sup>

**BEMÆRK:** De(n) angivne totalværdi(er) for vibration er målt i overensstemmelse med en standardtestmetode og kan anvendes til at sammenligne en maskine med en anden.

**BEMÆRK:** De(n) angivne totalværdi(er) for vibration kan også anvendes i en præliminær eksponeringsvurdering.

**⚠ ADVARSEL:** Vibrationsemissionen under den faktiske anvendelse af maskinen kan være forskellig fra de(n) angivne værdi(er), afhængigt af den måde hvorpå maskinen anvendes, især den type arbejdsemne der behandles.

**⚠ ADVARSEL:** Sørg for at identificere de sikkerhedsforskrifter til beskyttelse af operatøren, som er baseret på en vurdering af eksponering under de faktiske brugsforhold (med hensyntagen til alle dele i brugs-cyklussen, f.eks. de gange, hvor maskinen er slukket, og når den kører i tomgang i tilgift til afbrydertiden).

## EF-overensstemmelseserklæring

### Kun for lande i Europa

EF-overensstemmelseserklæringen er inkluderet som Bilag A i denne brugsanvisning.

## SIKKERHEDSADVARSLER

### Almindelige sikkerhedsregler for el-værktøj

**⚠ ADVARSEL:** Læs alle de sikkerhedsadvarsler, instruktioner, illustrationer og specifikationer, der følger med denne maskine. Forsømmelse af at overholde alle nedenstående instruktioner kan medføre elektrisk stød, brand og/eller alvorlig personskade.

### Gem alle advarsler og instruktioner til fremtidig reference.

Ordet "el-værktøj" i advarslerne henviser til det netfor-synde (netledning) el-værktøj eller batteriforsynde (akku) el-værktøj.

### Sikkerhedsadvarsler for akku jordbor

1. **Hold fast i maskinen med begge hænder på de tilsigtede håndtag.** Hvis herredømmet over maskinen mistes, kan det medføre tilskadekomst.
2. **Understøt maskinen ordentligt inden brug.** Maskinen frembringer et højt udgangsmoment, og uden ordentlig understøtning af maskinen under betjening kan der opstå tab af kontrol, hvilket kan medføre personskade.

3. **Hold maskinen i de isolerede gribeblader, når der udføres et arbejde, hvor gravetilbehør kan komme i kontakt med skjulte ledninger.** Gravetilbehør, som kommer i kontakt med en strømførende ledning, kan gøre blottede metaldele på maskinen strømførende og udgøre en risiko for, at operatøren får elektrisk stød.
4. **Må aldrig anvendes ved en højere hastighed end den maksimale hastighedsnormering for jordborebitten.** Ved højere hastigheder er det sandsynligt, at bitten bøjer, hvis den tillades at dreje frit uden kontakt med arbejdsområdet, hvilket resulterer i personskade.
5. **Start altid jordboring ved lav hastighed og med spidsen af jordborebitten i kontakt med jorden.** Ved højere hastigheder er det sandsynligt, at bitten bøjer, hvis den tillades at dreje frit uden kontakt med jorden, hvilket resulterer i personskade.
6. **Tryk kun direkte i bittens retning og anvend ikke for meget tryk.** Bits kan bøje og forårsage brud eller tab af kontrollen, hvilket kan medføre personskade.
7. **Spiralborebittens udvendige diameter skal være inden for borekapaciteten specificeret i denne betjeningsvejledning.** Spiralborebit af forkert størrelse kan ikke kontrolleres tilstrækkeligt.
8. **Vær altid sikker på, at De har et godt fodfæste. Vær sikker på, at der ikke befinder sig nogen nedeunder, når maskinen anvendes i højden.**
9. **Hold godt fast i maskinen.**
10. **Hold hænderne væk fra roterende dele.**
11. **Lad ikke maskinen køre i tomgang. Anvend kun maskinen håndholdt.**
12. **Undlad at berøre spiralborebitten umiddelbart efter brugen.** Den kan være meget varm og kan forårsage forbrændinger.
13. **Nogle materialer indeholder kemikalier, som kan være giftige. Vær påpasselig med at forhindre inhalering af støv og hudkontakt. Følg materiale-leverandørens sikkerhedsdata.**
14. **Hvis spiralborebitten ikke kan løsnes, selvom du fjerner spiralborstiften, skal du bruge en tang til at trække den ud.** Hvis du i et sådant tilfælde trækker spiralborebitten ud i hånden, kan det medføre personskade på grund af dens skarpe kant.
15. **Hvis der er noget galt med maskinen, som fx unormale lyde, skal du med det samme ophøre med betjeningen og bede dit lokale Makita-servicecenter om reparation.**
16. **Inden betjening skal du sørge for, at der ikke er nogen skjulte genstande som fx elektriske rør, vandrør eller gasrør i jorden.** Ellers kan maskinen muligvis komme i kontakt med dem, hvilket kan resultere i elektrisk stød, ellækage eller gaslækage.

## GEM DENNE BRUGSANVISNING.

**⚠ ADVARSEL:** LAD IKKE bekvemmelighed eller kendskab til produktet (opnået gennem gentagen brug) forhindre, at sikkerhedsforskrifterne for produktet nøje overholdes. MISBRUG eller forsømmelse af at følge de i denne brugsvejledning givne sikkerhedsforskrifter kan føre til, at De kommer alvorligt til skade.

## Vigtige sikkerhedsinstruktioner for akkuen

1. Læs alle instruktioner og advarselsmærkater på (1) akku-opladeren, (2) akkuen og (3) produktet, som anvender akku.
2. Adskil eller ændr ikke akkuen. Det kan muligvis resultere i en brand, overdreven varme eller eksplosion.
3. Hold straks op med anvendelsen, hvis brugstiden er blevet stærkt afkortet. Fortsat anvendelse kan resultere i risiko for overophedning, forbrændinger og endog eksplosion.
4. Hvis De har fået elektrolytvæske i øjnene, skal De straks skylle den ud med rent vand og derefter øjeblikkeligt søge lægehjælp. I modsat fald kan De miste synet.
5. Vær påpasselig med ikke at komme til at kortslutte akkuen:
  - (1) Rør ikke ved terminalerne med noget ledende materiale.
  - (2) Undgå at opbevare akkuen i en beholder sammen med andre genstande af metal, for eksempel søm, mønter og lignende.
  - (3) Udsæt ikke akkuen for vand eller regn. Kortslutning af akkuen kan forårsage en kraftig øgning af strømmen, overophedning, mulige forbrændinger og endog værktøjstop.
6. Opbevar og brug ikke maskinen og akkuen på steder, hvor temperaturen muligvis kan nå eller overstige 50 °C.
7. Lad være med at brænde akkuen, selv ikke i tilfælde, hvor den har lidt alvorlig skade eller er fuldstændig udtjent. Akkuen kan eksplodere, hvis man forsøger at brænde den.
8. Slå ikke søm i, skær ikke i, knus, kast, tab ikke akkuen og stød ikke akkuen mod en hård genstand. Sådan adfærd kan muligvis resultere i en brand, overdreven varme eller eksplosion.
9. Anvend ikke en beskadiget akku.
10. De indbyggede litium-ion-batterier er underlagt lovkrav vedrørende farligt gods. Ved kommerciel transport, f.eks. af tredjeparts transportselskaber, skal særlige krav til forpakning og mærkning overholdes. Ved forberedelse af udstyret til forsendelse skal du kontakte en ekspert i farligt gods. Overhold også eventuel mere detaljeret national lovgivning. Tape eller tildæk åbne kontakter, og pak batteriet på en måde, så det ikke kan flytte sig rundt i pakningen.
11. Når akkuen bortskaffes, skal du fjerne den fra maskinen og bortskaffe den på et sikkert sted. Følg de lokale love vedrørende bortskaffelsen af batterier.
12. Brug kun batterierne med de produkter, som Makita specificerer. Hvis batterierne installeres i ikke-kompatible produkter, kan det medføre brand, kraftig varme, eksplosion eller udsivning af elektrolyt.
13. Hvis maskinen ikke skal bruges i længere tid ad gangen, skal du fjerne batteriet fra maskinen.
14. Akkuen kan muligvis under og efter brug være varm, hvilket kan forårsage forbrændinger eller lavtemperaturforbrændinger. Vær påpasselig med håndtering af varme akkuer.
15. Rør ikke terminalen på maskinen straks efter brug, da den bliver varm nok til at forårsage forbrændinger.
16. Sørg for, at spåner, støv eller jord ikke sætter sig fast i akkuens terminaler, huller og riller. Det kan forårsage opvarmning, antændelse, sprængning og funktionsfejl i maskinen eller akkuen, hvilket kan medføre forbrændinger eller personskade.
17. Medmindre maskinen understøtter brugen i nærheden af elektriske højspændingsledninger, skal du ikke anvende akkuen i nærheden af elektriske højspændingsledninger. Det kan muligvis medføre funktionsfejl på eller nedbrud af maskinen eller akkuen.
18. Opbevar batteriet utilgængeligt for børn.

## GEM DENNE BRUGSANVISNING.

**⚠FORSIGTIG:** Brug kun originale batterier fra Makita. Brug af uoriginale Makita-batterier, eller batterier som er blevet ændret, kan muligvis medføre brud på batteriet, hvilket kan forårsage brand, personskade eller beskadigelse. Det ugyldiggør også Makita-garantien for Makita-maskinen og opladeren.

## Tips til opnåelse af maksimal akku-levetid

1. Oplad akkuen, inden den er helt afladet. Stop altid værktøjet, og oplad akkuen, hvis De bemærker, at værktøjeffekten er aftagende.
2. Genoplad aldrig en fuldt opladet akku. Overopladning vil afkorte akkuens levetid.
3. Oplad akkuen ved stuetemperatur ved 10 °C - 40 °C. Lad altid en varm akku få tid til at køle af, inden den oplades.
4. Når du ikke anvender akkuen, skal du fjerne den fra maskinen eller opladeren.
5. Oplad akkuen, hvis De ikke skal bruge den i længere tid (mere end seks måneder).

## FØRSTE INDSTILLING

**⚠FORSIGTIG:** Sørg altid for at maskinen er slukket, og at akkuen er taget ud, før der udføres noget arbejde på maskinen.

## BESKRIVELSE AF DELENE

► Fig.1

1	Maskindelen	2	Forreste håndtag
3	Sidehåndtag	4	Reaktionsmodtager
5	Bitadapter	6	Patronnøgle
7	Bolt	8	Skruenøgle

### Specifikationer for bolten/Skruenøglen

-	Nominal diameter af bolten	Skruenøglestørrelse (H)
A	M 12	10 mm
B	M 8	6 mm
C	M 6	5 mm

**BEMÆRK:** Typen af bitadapteren varierer afhængigt af landet.

## Indstilling af maskinen

**⚠FORSIGTIG:** Sørg altid for, at sidehåndtaget og reaktionsmodtageren er ordentligt monteret inden brugen.

**BEMÆRKNING:** Spænd ikke boltene for meget. Dette kan muligvis beskadige maskinen.

## Montering af sidehåndtaget

Fjern boltene vist på figuren fra maskinen. Den fjernede bolt behøves ikke til denne maskine, hvis du ønsker at anvende denne maskine som et akku jordbor.

Gem boltene så de ikke bliver væk.

► Fig.2: 1. Bolt

Placer sidehåndtaget på maskinen.

Stram alle fire bolte midlertidigt, og stram derefter boltene ordentligt til vha. skruenøglen.

► Fig.3: 1. Sidehåndtag 2. Bolt A 3. Bolt B

## Montering af reaktionsmodtageren

Placer reaktionsmodtageren så stangen på reaktionsmodtageren kommer på den venstre side af operatøren. Juster positionen af reaktionsmodtageren så akksen på borepatronen er i midten af operatørens krop.

Stram boltene fast.

► Fig.4: 1. Stang på reaktionsmodtageren 2. Bolt C

## FUNKTIONSBEKRIVELSE



















**⚠FORSIGTIG:** Sørg altid for at maskinen er slukket, og at akkuen er taget ud, før der udføres justering eller kontrol af funktioner på maskinen.

## Indikation af den resterende batteriladning

### Kun til akkuer med indikatoren

► Fig.5: 1. Indikatorlamper 2. Kontrolknop

Tryk på kontrolknappen på akkuen for at få vist den resterende batteriladning. Indikatorlampen lyser i nogle sekunder.

Indikatorlamper			Resterende ladning
 Tændt	 Slukket	 Blinker	
			75% til 100%
			50% til 75%
			25% til 50%
			0% til 25%
			Genoplad batteriet.
			Der er muligvis fejl i batteriet.
			

**BEMÆRK:** Afhængigt af brugsforholdene og den omgivende temperatur kan indikationen afvige en smule fra den faktiske ladning.

**BEMÆRK:** Den første indikatorlampe (længst mod venstre) vil blinke, når batteribeskyttelsessystemet aktiveres.

## Beskyttelsessystem til værktøj/batteri

Maskinen er udstyret med et beskyttelsessystem til maskinen/batteriet. Dette system afbryder automatisk strømmen til motoren for at forlænge maskinens og batteriets levetid. Maskinen stopper automatisk under brugen, hvis maskinen eller batteriet udsættes for et af følgende forhold:

## Overbelastningsbeskyttelse

Hvis maskinen/batteriet bruges på en måde, der får den til at trække en unormal høj strøm, stopper maskinen automatisk. I denne situation skal du slukke for maskinen og stoppe den anvendelse, som bevirkede, at maskinen blev overbelastet. Tænd derefter for maskinen for at starte den igen.

## Beskyttelse mod overophedning

Hvis maskinen/batteriet er overophedet, stopper maskinen automatisk. Lad i så fald maskinen/batteriet køle ned, før der tændes for maskinen igen.

## Beskyttelse mod overafledning

Når batteriladningen er utilstrækkelig, stopper maskinen automatisk. Tag i så fald akkuen ud af maskinen, og oplad akkuen.

### Hovedafbryder

**⚠ ADVARSEL:** Sluk altid på hovedafbryderen, når maskinen ikke bruges.

Hvis du vil sætte maskinen i standby, skal du trykke på hovedafbryderknappen, indtil hovedstrømlampen tændes. Tryk på hovedafbryderknappen igen for at slukke.

► Fig.6: 1. Hovedafbryderknapp

**BEMÆRK:** Denne maskine har en funktion til automatisk slukning. For at undgå utilsigtet start slukker hovedafbryderen automatisk, når der ikke trykkes på afbryderknappen i en vis periode, efter at der tændes for hovedafbryderen.

### Afbryderbetjening

**⚠ FORSIGTIG:** Inden akkuen sættes i maskinen, bør De altid kontrollere, at afbryderknappen fungerer korrekt, og returnerer til "OFF"-positionen, når den slippes.

► Fig.7: 1. Afbryderknapp

For at starte maskinen skal du trykke på afbryderknappen med hovedafbryderen slået til. Maskinens hastighed øges ved at øge trykket på afbryderknappen. Slip afbryderknappen for at stoppe.

**BEMÆRK:** Maskinen stopper automatisk, hvis De bliver ved med at trykke på afbryderknappen i cirka 6 minutter.

### Tænding af lampen foran

**⚠ FORSIGTIG:** Kig aldrig direkte på lyskilden. Lad ikke lyset falde i Deres øjne.

► Fig.8: 1. Lampe

Tryk afbryderknappen ind for at tænde for lampen. Lampen fortsætter med at lyse, så længe afbryderknappen trykkes ind. Lampen slukker omkring 10 sekunder efter at afbryderknappen er udløst.

**BEMÆRK:** Hvis maskinen er overophedet, stopper maskinen automatisk, og lampen begynder at blinke. Slip i så fald afbryderknappen. Lampen slukkes efter 5 minutter.

**BEMÆRK:** Brug en tør klud til at tørre snavset af lampens linse. Pas på ikke at ride lampens linse, da dette muligvis kan dæmpe belysningen.

## Omløbsvælgerbetjening

**⚠ FORSIGTIG:** Kontrollér altid omløbsretningen, inden arbejdet påbegyndes.

**⚠ FORSIGTIG:** Flyt kun omløbsvælgeren, når maskinen er helt standset. Hvis omløbsretningen ændres, inden maskinen er helt stoppet, kan det beskadige maskinen.

**⚠ FORSIGTIG:** Sæt altid omløbsvælgeren i neutral stilling, når maskinen ikke anvendes.

Denne maskinen har en omløbsvælger til at skifte omløbsretning. Skub omløbsvælgeren ind fra A-siden for omdrejning med uret, og fra B-siden for omdrejning mod uret. Når omløbsvælgeren er i neutral stilling, kan kontakthåndtaget ikke trækkes ud.

► Fig.9: 1. Omløbsvælger

## Funktion til automatisk hastighedsændring

Denne maskine har en "høj hastighedstilstand" og en "høj momenttilstand".

Maskinen skifter automatisk funktionstilstand afhængigt af arbejdsbelastningen. Hvis arbejdsbelastningen er lav, kører maskinen i "høj hastighedstilstand" for hurtigere funktion. Hvis arbejdsbelastningen er høj, kører maskinen i "høj momenttilstand" for kraftig funktion.

► Fig.10: 1. Tilstandsindikator

Tilstandsindikatoren lyser grønt, når maskinen kører i "høj momenttilstand".

Hvis maskinen anvendes ved for stor belastning, blinker tilstandsindikatoren grønt. Tilstandsindikatoren holder op med at blinke og lyser derefter eller slukkes, hvis du reducerer belastningen på maskinen.

Status for tilstandsindikator			Funktionstilstand
● Tændt	○ Slukket	◐ Blinker	
	○	◐	Høj hastighedstilstand
	○	●	Høj momenttilstand
	○	◐	Advarsel om overbelastning

## Skift af hastighed

**BEMÆRKNING:** Brug kun hastighedsvælgerknappen, efter at maskinen er stoppet helt. Hvis maskinens hastighed ændres, før maskinen er stoppet, kan det beskadige maskinen.

**BEMÆRKNING:** Sæt altid omhyggeligt hastighedsvælgerknappen i den korrekte position. Hvis maskinen anvendes med hastighedsvælgerknappen sat halvejs mellem position 1 og position 2, kan maskinen lide skade.

Der kan forudindstilles til hastighedsintervaller ved hjælp af hastighedsvælgerknappen. Hvis du vil skifte hastighed, skal du trykke låseknappen ned og dreje hastighedsvælgerknappen, så pilen peger mod position 1 for lav hastighed eller position 2 for høj hastighed.

► Fig.11: 1. Låseknapp 2. Pil 3. Hastighedsvælgerknapp

## Momentbegrænser

Momentbegrænseren udløses, når et vist momentniveau nås ved den lave hastighedsindstilling (position 1). Motoren kobler ud fra udgangsakslen. Når dette sker, holder borebitten op med at dreje rundt.

## Snorhul

**⚠ ADVARSEL:** Brug ikke snorhullet til noget andet formål end til at hænge maskinen i eller til forhindring af tyveri af maskinen. I modsat fald kan der muligvis opstå tilskadekomst.

► Fig.12: 1. Snorhul

## SAMLING

### Isætning eller fjernelse af akkuen

**⚠ FORSIGTIG:** Sluk altid for værktøjet, før De monterer eller fjerner akkuen.

**⚠ FORSIGTIG:** Hold værktøjet og akkuen fast ved montering eller fjernelse af akkuen. Hvis De ikke holder værktøjet og akkuen fast, kan de glide ud af hænderne på Dem og forårsage beskadigelse af værktøjet og akkuen eller personskade.

► Fig.13: 1. Rød indikator 2. Knap 3. Akku

Akkuen fjernes ved, at De trækker den ud af værktøjet, idet De skyder knappen på forsiden af akkuen i stilling.

For at montere akkuen skal du justere tungen på akkuen med rillen i huset og skubbe den på plads. Indsæt den hele vejen, indtil den låses på plads med et lille klik. Hvis du kan se den røde indikator, som vist i figuren, er den ikke helt låst.

**⚠ FORSIGTIG:** Monter altid akkuen helt, indtil den røde indikator ikke længere er synlig. Hvis dette ikke gøres, kan den falde ud af værktøjet ved et uheld, hvorved De selv eller personer i nærheden kan komme til skade.

**⚠ FORSIGTIG:** Brug ikke magt ved montering af akkuen. Hvis akkuen ikke glider på plads uden problemer, betyder det, at den ikke sættes i på korrekt vis.

### Montering af spiralborebitten

**⚠ FORSIGTIG:** Sørg altid for at maskinen er slukket, og at akkuen er taget ud, før der udføres noget arbejde på maskinen.

**⚠ FORSIGTIG:** Når du monterer bitadapteren til patronen, skal du sikre dig, at bitadapteren er sat helt ind.

**⚠ FORSIGTIG:** Når du fastgør spiralborebitten til bitadapteren, skal du sikre dig, at spiralborsstiften er låst, og efterse spiralborsstiften for skader.

**⚠ FORSIGTIG:** Når du bærer maskinen, skal du fjerne spiralborebitten fra maskinen.

## Montering eller afmontering af bitadapteren

For at montere spiralborebitten skal du installere bitadapteren på forhånd.

For at installere bitadapteren skal du placere bitadapteren så langt inde i patronen, som den kan komme.

Stram patronen ved at rotere muffen med hånden.

Sæt patronnøglen ind i patronhullet, og stram i retningen med uret. Sørg for at stramme alle tre patronhuller ligeligt.

For at fjerne bitadapteren drejes patronnøglen i retningen mod uret i blot et af hullerne. Løsn derefter patronen med hånden.

► Fig.14: 1. Patronnøgle 2. Patron 3. Muffe

Efter brug returneres patronnøglen til opbevaringsrummet på maskinen som vist.

► Fig.15

## Montering af spiralborebitten på bitadapteren

**BEMÆRK:** Udformningen og mekanismen af spiralborebitten og spiralborsstiften kan muligvis variere afhængigt af din spiralborebit.

Ret hullet på bitadapteren ind med hullet på spiralborebitten. Sæt spiralborebitten på bitadapteren.

► Fig.16: 1. Spiralborebit 2. Bitadapter

Fastgør spiralborebitten med spiralborsstiften og sikkerhedslåsen.

► Fig.17: 1. Spiralborsstift 2. Sikkerhedslås

## ANVENDELSE

**⚠ FORSIGTIG:** Dette er en kraftfuld maskine, som udvikler højt drejningsmoment. Det er vigtigt, at maskinen holdes godt fast og understøttes korrekt.

**⚠ FORSIGTIG:** Inden betjening skal du kontrollere, at der ikke er sidder nogen fremmedlegemer (sand, snavs osv.) fast i åbninger eller bevægende dele.

## Arbejdsstilling

Bevaring af en korrekt betjeningsposition er en af de vigtigste og mest effektive procedurer til kontrol af tilbageslag.

Bevar en korrekt positionering ved at praktisere de følgende punkter.

- Placer maskinen så stangen på reaktionsmodtageren altid er i kontakt med den venstre side af din talje.
- Tag fat i håndtaget og sidehåndtaget med begge hænder. Vikl dine fingre rundt om gribeområderne, og vedbliv med at holde gribeområderne fast mellem dine tommeltotter og pegefingre.
- Hold din ryg så lodret som muligt ved at bøje benene som nødvendigt under graveprocessen.
- Vær opmærksom på drejningsmomentreaktionskraften på maskinen. Bevar altid en betjeningsposition så du kan modstå drejningsmomentreaktionskraften.

► Fig.18: 1. Håndtag 2. Sidehåndtag 3. Stang på reaktionsmodtageren

**⚠ ADVARSEL:** Undgå ukorrekt positionering. Stå ikke for langt fra maskinen. Korrekt reaktion og kontrol kan muligvis ikke opnås i tilfælde af tilbageslag.

► Fig.19



## Gravebetjening

**⚠FORSIGTIG:** Hold godt fast i maskinen, når du betjener maskinen.

**⚠FORSIGTIG:** Når maskinen efterlades, som fx under en pause, skal du ikke efterlade maskinen stukket ned i jorden eller læne den opad en væg. Opbevar maskinen i en stabil tilstand.

**BEMÆRKNING:** Når rotationshastigheden falder ekstremt meget, skal belastningen reduceres, eller maskinen skal stoppes for at undgå beskadigelse af maskinen.

**BEMÆRKNING:** Et kraftigere tryk på maskinen vil ikke gøre gravningen hurtigere. Faktisk vil et kraftigere tryk kun føre til skade på spidsen af spiralborebitten, nedsætte maskinens ydelse og afkorte maskinens levetid.

**BEMÆRKNING:** Undgå at grave i materiale, som du har mistanke om indeholder skjulte søm eller andre genstande, der kan få spiralborebitten til at sidde fast eller gå i stykker.

**BEMÆRKNING:** Hvis maskinen benyttes konstant, indtil akkuen er udtømt, skal du lade maskinen hvile i 15 minutter, før der fortsættes med et opladet batteri.

- Vælg hastigheden (høj/lav) korrekt afhængigt af huldiameteren og jordtilstanden.
- Når der graves et dybt hul eller graves i lerjord, skal du ikke forsøge at grave på én gang. Grav hullet ved at løfte maskinen op og ned, så jorden i hullet kan udledes.
- Hvis maskinens rotationshastighed sænkes pga. høj belastning, skal du løfte maskinen en lille smule op og derefter flytte maskinen op og ned for at grave i små trin.

## Når spiralborebitten roteres baglæns

En spiralborebit, der har sat sig fast, kan fjernes ved at man ganske enkelt sætter omløbsvælgeren til baglæns rotation for at bakke ud.

I baglæns tilstand skal maskinen understøttes med kroppen for at forhindre en reaktion med uret.

► Fig.20

**⚠FORSIGTIG:** Hold maskinen godt fast.

Maskinen kan muligvis bakke ud pludseligt og forårsage personskade.

## VEDLIGEHOLDELSE

**⚠FORSIGTIG:** Vær altid sikker på, at værktøjet er slukket, og at akkuen er taget ud, inden De begynder at udføre inspektion eller vedligeholdelse.

**BEMÆRKNING:** Anvend aldrig benzin, rensbenzin, fortynder, alkohol og lignende. Det kan medføre misfarvning, deformation eller revner.

For at opretholde produktets SIKKERHED og PÅLIDELIGHED må reparation, vedligeholdelse eller justering kun udføres af et autoriseret Makita servicecenter eller fabrikksservicecenter med anvendelse af Makita reservedele.

## EKSTRAUDSTYR

**⚠FORSIGTIG:** Det følgende tilbehør og ekstraudstyr er anbefalet til brug med Deres Makita maskine, der er beskrevet i denne brugsanvisning. Anvendelse af andet tilbehør eller ekstraudstyr kan udgøre en risiko for personskade. Anvend kun tilbehør og ekstraudstyr til det beskrevne formål.

Hvis De behøver hjælp ved valg af tilbehør eller ønsker yderligere informationer, bedes De kontakte Deres lokale Makita servicecenter.

- Spiralborebits
- Bitadapter
- Original Makita-akku og oplader

**BEMÆRK:** Nogle ting på denne liste kan være inkluderet i værktøjspakken som standardtilbehør. Det kan være forskellige fra land til land.

## ΠΡΟΔΙΑΓΡΑΦΕΣ

Μοντέλο:		DDG460
Ταχύτητα χωρίς φορτίο	Υψηλή	0 - 1.400 min <sup>-1</sup>
	Χαμηλή	0 - 350 min <sup>-1</sup>
Ικανότητες τρυπάνισματος (Διάμετρος)	Υψηλή	Για αμμώδη έδαφος: ø60 mm Για αργιλώδη έδαφος: ø60 mm
	Χαμηλή	Για αμμώδη έδαφος: ø200 mm Για αργιλώδη έδαφος: ø150 mm
Συνολικό μήκος		840 mm
Ονομαστική τάση		D.C. 36 V
Καθαρό βάρος		7,3 - 8,2 kg

- Λόγω του συνεχιζόμενου προγράμματος έρευνας και ανάπτυξης, οι προδιαγραφές αυτές υπόκεινται σε αλλαγές χωρίς προειδοποίηση.
- Τα τεχνικά χαρακτηριστικά μπορεί να διαφέρουν από χώρα σε χώρα.
- Το βάρος μπορεί να διαφέρει ανάλογα με τα προσαρτήματα, συμπεριλαμβανοντας την κασέτα μπαταριών. Ο ελαφρύτερος και ο βαρύτερος συνδυασμός, σύμφωνα με τη διαδικασία ΕΡΤΑ 01/2014, παρουσιάζονται στον πίνακα.

## Ισχύουσα κασέτα μπαταριών και φορτιστής

Κασέτα μπαταρίας	BL1815N / BL1820B / BL1830B / BL1840B / BL1850B / BL1860B
Φορτιστής	DC18RC / DC18RD / DC18RE / DC18SD / DC18SE / DC18SF / DC18SH / DC18WC

- Ορισμένες από τις κασέτες και τους φορτιστές μπαταριών που αναγράφονται παραπάνω ίσως να μην είναι διαθέσιμοι, ανάλογα με την τοποθεσία κατοικίας σας.

**⚠ ΠΡΟΕΙΔΟΠΟΙΗΣΗ:** Να χρησιμοποιείτε μόνο τις κασέτες μπαταριών και τους φορτιστές που παρατίθενται ανωτέρω. Η χρήση οποιασδήποτε άλλης κασέτας μπαταριών ή φορτιστή μπορεί να προκαλέσει τραυματισμό ή/και πυρκαγιά.

## Συνιστώμενη ενσύρματη πηγή τροφοδοσίας

Φορητή ηλεκτρική τροφοδότηση	PDC01 / PDC1200
------------------------------	-----------------

- Οι ενσύρματες πηγές τροφοδοσίας που αναγράφονται παραπάνω μπορεί να μην είναι διαθέσιμες, ανάλογα με την περιοχή της κατοικίας σας.
- Πριν χρησιμοποιήσετε την ενσύρματη πηγή τροφοδοσίας, διαβάστε τις οδηγίες και τις ενδείξεις προφυλάξεων που αναγράφονται σε αυτή.

## Προοριζόμενη χρήση

Το εργαλείο προορίζεται για τρυπάνισμα στο έδαφος.

## Θόρυβος

Το τυπικό Α επίπεδο καταμετρημένου θορύβου καθορίζεται σύμφωνα με το EN62841-2-1:  
 Στάθμη ηχητικής πίεσης (L<sub>PA</sub>): 85 dB (A)  
 Στάθμη ηχητικής ισχύος (L<sub>WA</sub>): 96 dB (A)  
 Αβεβαιότητα (K): 3 dB (A)

**ΠΑΡΑΤΗΡΗΣΗ:** Η δηλωμένη τιμή(ές) εκπομπής θορύβου έχει μετρηθεί σύμφωνα με την πρότυπη μέθοδο δοκιμής και μπορεί να χρησιμοποιηθεί για τη σύγκριση ενός εργαλείου με κάποιο άλλο.

**ΠΑΡΑΤΗΡΗΣΗ:** Η δηλωμένη τιμή(ές) εκπομπής θορύβου μπορεί να χρησιμοποιηθεί και στην προκαταρκτική αξιολόγηση της έκθεσης.

**⚠ ΠΡΟΕΙΔΟΠΟΙΗΣΗ:** Να φοράτε γυαλιά.

**⚠ ΠΡΟΕΙΔΟΠΟΙΗΣΗ:** Η εκπομπή θορύβου κατά τη χρήση του ηλεκτρικού εργαλείου σε πραγματικές συνθήκες μπορεί να διαφέρει από τη δηλωμένη τιμή(ές) ανάλογα με τους τρόπους χρήσης του εργαλείου, ιδιαίτερα το είδος του τεμαχίου εργασίας που υπόκειται επεξεργασία.

**⚠ ΠΡΟΕΙΔΟΠΟΙΗΣΗ:** Φροντίστε να λάβετε τα κατάλληλα μέτρα προστασίας του χειριστή βάσει ενός υπολογισμού της έκθεσης σε πραγματικές συνθήκες χρήσης (λαμβάνοντας υπόψη όλες τις συνιστώσες του κύκλου λειτουργίας όπως τους χρόνους που το εργαλείο είναι εκτός λειτουργίας και όταν βρίσκεται σε αδρανή λειτουργία πέραν του χρόνου ενεργοποίησης).

## Κραδασμός

Η ολική τιμή δόνησης (άθροισμα τρι-αξονικού διανύσματος) καθορίζεται σύμφωνα με το EN62841-2-1: Εκπομπή δόνησης ( $a_{h,d}$ ): 2,5 m/s<sup>2</sup> ή λιγότερο  
Αβεβαιότητα (K): 1,5 m/s<sup>2</sup>

**ΠΑΡΑΤΗΡΗΣΗ:** Η δηλωμένη τιμή(ές) συνολικών κραδασμών έχει μετρηθεί σύμφωνα με την πρότυπη μέθοδο δοκιμής και μπορεί να χρησιμοποιηθεί για τη σύγκριση ενός εργαλείου με κάποιο άλλο.

**ΠΑΡΑΤΗΡΗΣΗ:** Η δηλωμένη τιμή(ές) συνολικών κραδασμών μπορεί να χρησιμοποιηθεί και στην προκαταρκτική αξιολόγηση της έκθεσης.

**▲ ΠΡΟΕΙΔΟΠΟΙΗΣΗ:** Η εκπομπή κραδασμών κατά τη χρήση του ηλεκτρικού εργαλείου σε πραγματικές συνθήκες μπορεί να διαφέρει από τη δηλωμένη τιμή(ές) εκπομπής ανάλογα με τους τρόπους χρήσης του εργαλείου, ιδιαίτερα το είδος του τεμαχίου εργασίας που υπόκειται επεξεργασία.

**▲ ΠΡΟΕΙΔΟΠΟΙΗΣΗ:** Φροντίστε να λάβετε τα κατάλληλα μέτρα προστασίας του χειριστή βάσει ενός υπολογισμού της έκθεσης σε πραγματικές συνθήκες χρήσης (λαμβάνοντας υπόψη όλες τις συνιστώσες του κύκλου λειτουργίας όπως τους χρόνους που το εργαλείο είναι εκτός λειτουργίας και όταν βρίσκεται σε αδρανή λειτουργία πέραν του χρόνου ενεργοποίησης).

## Δήλωση συμμόρφωσης ΕΚ

*Μόνο για χώρες της Ευρώπης*

Η δήλωση συμμόρφωσης ΕΚ περιλαμβάνεται ως Παράρτημα Α στο παρόν εγχειρίδιο οδηγιών.

## ΠΡΟΕΙΔΟΠΟΙΗΣΕΙΣ ΑΣΦΑΛΕΙΑΣ

### Γενικές προειδοποιήσεις ασφαλείας για το ηλεκτρικό εργαλείο

**▲ ΠΡΟΕΙΔΟΠΟΙΗΣΗ:** Διαβάστε όλες τις προειδοποιήσεις ασφαλείας, οδηγίες, εικονογραφίες και προδιαγραφές που παρέχονται με αυτό το ηλεκτρικό εργαλείο. Η μη τήρηση όλων των οδηγιών που αναγράφονται κατωτέρω μπορεί να καταλήξει σε ηλεκτροπληξία, πυρκαγιά ή/και σοβαρό τραυματισμό.

### Φυλάξτε όλες τις προειδοποιήσεις και τις οδηγίες για μελλοντική παραπομπή.

Στις προειδοποιήσεις, ο όρος «ηλεκτρικό εργαλείο» αναφέρεται σε ηλεκτρικό εργαλείο που τροφοδοτείται από την κύρια παροχή ηλεκτρικού ρεύματος (με ηλεκτρικό καλώδιο) ή σε ηλεκτρικό εργαλείο που τροφοδοτείται από μπαταρία (χωρίς ηλεκτρικό καλώδιο).

## Προειδοποιήσεις ασφαλείας για το φορητό γεωτρήπανο

1. **Κρατάτε το εργαλείο με τα δύο χέρια από τις μηδενδεδειγμένες λαβές.** Η απώλεια του ελέγχου μπορεί να προκαλέσει προσωπικό τραυματισμό.
2. **Να στηρίζετε το εργαλείο σωστά πριν το χρησιμοποιήσετε.** Το εργαλείο αυτό παράγει μια υψηλή ροπή εξόδου και αν δεν στηρίζετε σωστά το εργαλείο κατά τη λειτουργία, μπορεί να συμβεί απώλεια ελέγχου έχοντας ως αποτέλεσμα προσωπικό τραυματισμό.
3. **Να κρατάτε το ηλεκτρικό εργαλείο από τις μονωμένες επιφάνειες λαβής όταν εκτελείτε εργασίες κατά τις οποίες το εξάρτημα εκσκαφής μπορεί να έρθει σε επαφή με κρυμμένα καλώδια.** Σε περίπτωση επαφής του εξαρτήματος εκσκαφής με ηλεκτροφόρο καλώδιο, μπορεί να εκθεσιμμένα μεταλλικά εξαρτήματα του ηλεκτρικού εργαλείου να καταστούν τα ίδια ηλεκτροφόρα και να προκαλέσουν ηλεκτροπληξία στο χειριστή.
4. **Ποτέ μη θέσετε σε λειτουργία σε υψηλότερη ταχύτητα από τη μέγιστη ονομαστική ταχύτητα της μύτης γεωτρήπανου.** Σε υψηλότερες ταχύτητες, η μύτη είναι πιθανό να λυγίσει αν επιτραπεί να περιστρέφεται ελεύθερα χωρίς να έρχεται σε επαφή με το τεμάχιο εργασίας, έχοντας ως αποτέλεσμα προσωπικό τραυματισμό.
5. **Να αρχίζετε πάντα τις εργασίες με το γεωτρήπανο σε χαμηλή ταχύτητα και με την άκρη μύτης του γεωτρήπανου σε επαφή με το έδαφος.** Σε υψηλότερες ταχύτητες, η μύτη είναι πιθανό να λυγίσει αν επιτραπεί να περιστρέφεται ελεύθερα χωρίς να έρχεται σε επαφή με το έδαφος, έχοντας ως αποτέλεσμα προσωπικό τραυματισμό.
6. **Να ασκείτε πίεση μόνο σε ευθεία γραμμή με τη μύτη και μην ασκείτε υπερβολική πίεση.** Οι μύτες μπορούν να λυγίσουν προκαλώντας σπάσιμο ή απώλεια ελέγχου, έχοντας ως αποτέλεσμα προσωπικό τραυματισμό.
7. **Η εξωτερική διάμετρος της κοχλιωτής μύτης πρέπει να βρίσκεται εντός της ικανότητας τρυπανίσματος που καθορίζεται στο παρόν εγχειρίδιο οδηγιών.** Δεν είναι εφικτός ο επαρκής έλεγχος μιας κοχλιωτής μύτης εσφαλμένου μεγέθους.
8. **Να βεβαιώνετε πάντοτε ότι στέκεστε σταθερά.** Όταν χρησιμοποιείτε το εργαλείο σε υψηλές τοποθεσίες, να βεβαιώνετε ότι δεν βρίσκεται κανένας από κάτω.
9. **Κρατήστε το εργαλείο σταθερά.**
10. **Μην πλησιάζετε τα χέρια σας σε περιστρεφόμενα μέρη.**
11. **Μην αφήνετε το εργαλείο σε λειτουργία.** Το εργαλείο πρέπει να βρίσκεται σε λειτουργία μόνο όταν το κρατάτε.
12. **Μην αγγίζετε την κοχλιωτή μύτη αμέσως μετά τη λειτουργία.** Μπορεί να είναι εξαιρετικά θερμή και να προκληθεί έγκαιμα στο δέρμα σας.
13. **Μερικά υλικά περιέχουν χημικά που μπορεί να είναι τοξικά.** Προσέχετε ώστε να αποφεύγετε την εισπνοή σκόνης και την επαφή με το δέρμα. Ακολουθείτε τα δεδομένα ασφαλείας υλικού που παρέχονται από τον προμηθευτή.

14. Αν η κοχλιωτή μύτη δεν μπορεί να χαλαρώσει ακόμη κι αν αφαιρέσετε τον πείρο τρυπανιού, χρησιμοποιήστε τανάλια για να την τραβήξετε. Σε αυτή την περίπτωση, αν τραβήξετε την κοχλιωτή μύτη με το χέρι σας, μπορεί να έχει ως αποτέλεσμα τραυματισμό από το κοφτερό άκρο της.
15. Στην περίπτωση που παρουσιαστεί πρόβλημα με το εργαλείο, όπως μη φυσιολογικό ήχοι, διακόπτε αμέσως τη λειτουργία και απευθυνθείτε στο τοπικό σας κέντρο εξυπηρέτησης Makita για επισκευή.
16. Πριν τη λειτουργία, βεβαιωθείτε ότι δεν υπάρχουν κάποιο θαμμένο αντικείμενο όπως ηλεκτρικός σωλήνας, σωλήνας νερού ή σωλήνας αερίου στο έδαφος. Διαφορετικά, το εργαλείο μπορεί να τα ακουμπήσει, προκαλώντας ηλεκτροπληξία, διαρροή ηλεκτρικού ρεύματος ή διαρροή αερίου.
7. Μην καίτε την κασέτα μπαταριών ακόμη και εάν έχει σοβαρή ζημιά ή είναι εντελώς φθαρμένη. Η κασέτα μπαταριών μπορεί να εκραγεί στη φωτιά.
8. Μην κορφαίνετε, κόψετε, συνθλίψετε, πετάξετε ή ρίξετε κάτω την κασέτα μπαταριών, ούτε να χτυπήσετε ένα σκληρό αντικείμενο επάνω στην κασέτα μπαταριών. Τέτοια συμπεριφορά μπορεί να έχει ως αποτέλεσμα πυρκαγιά, υπερθέρμανση ή έκρηξη.
9. Μη χρησιμοποιείτε μπαταρία που έχει υποστεί ζημιά.
10. Οι μπαταρίες ιόντων λιθίου που περιέχονται υπόκεινται στις απαιτήσεις της νομοθεσίας για επικίνδυνα αγαθά.

Για εμπορικές μεταφορές, για παράδειγμα από τρίτα μέρη, πρέπει να τηρούνται οι διμεταφορικές, οι ειδικές απαιτήσεις στη συσκευασία και η επισήμανση. Για προετοιμασία του στοιχείου που αποστέλλεται, είναι απαραίτητο να συμβουλευτείτε έναν ειδικό για επικίνδυνα υλικά. Επίσης, τηρήστε τους πιθανούς, πιο αναλυτικούς εθνικούς κανονισμούς. Καλύψτε με αυτοκόλλητη ταινία ή κρύψτε τις ανοικτές επαφές και συσκευάστε την μπαταρία με τρόπο που να μην μπορεί να μετακινείται μέσα στη συσκευασία.

11. Όταν απορρίπτετε την κασέτα μπαταριών, αφαιρέστε την από το εργαλείο και διαθέστε την σε ένα ασφαλές μέρος. Τηρήστε τους τοπικούς κανονισμούς που σχετίζονται με τη διάθεση της μπαταρίας.
12. Χρησιμοποιήστε τις μπαταρίες μόνο με τα προϊόντα που καθορίζει η Makita. Αν τοποθετήσετε τις μπαταρίες σε μη συμβατά προϊόντα μπορεί να έχει ως αποτέλεσμα πυρκαγιά, υπερβολική θερμότητα, έκρηξη ή διαρροή ηλεκτρολύτη.
13. Αν δεν χρησιμοποιείτε το εργαλείο για μεγάλο χρονικό διάστημα, πρέπει να βγάλετε την μπαταρία από το εργαλείο.
14. Κατά τη διάρκεια και μετά τη χρήση, η κασέτα μπαταριών μπορεί να θερμανθεί, γεγονός που μπορεί να προκαλέσει εγκαύματα ή εγκαύματα από χαμηλή θερμοκρασία. Προσέχετε το χειρισμό των ζεστών κασετών μπαταριών.
15. Μην αγγίζετε τον ακροδέκτη του εργαλείου αμέσως μετά τη χρήση επειδή μπορεί να έχει ζεσταθεί αρκετά για να προκαλέσει εγκαύματα.
16. Μην αφήνετε θραύσματα, σκόνη ή βρομιά να κολλήσει στους ακροδέκτες, τις οπές και τις εγκοπές της κασέτας μπαταριών. Μπορεί να προκαλέσει θέρμανση, φωτιά, έκρηξη και δυσλειτουργία του εργαλείου ή της κασέτας μπαταριών, έχοντας ως αποτέλεσμα εγκαύματα ή προσωπικό τραυματισμό.
17. Εκτός αν το εργαλείο υποστηρίζει τη χρήση κοντά σε ηλεκτρικές γραμμές υψηλής τάσης, μην χρησιμοποιείτε την κασέτα μπαταριών κοντά σε ηλεκτρικές γραμμές υψηλής τάσης. Μπορεί να έχει ως αποτέλεσμα δυσλειτουργία ή στάσιμο του εργαλείου ή της κασέτας μπαταριών.
18. Κρφαλύξτε την μπαταρία μακριά από παιδιά.

## ΦΥΛΑΞΤΕ ΤΙΣ ΟΔΗΓΙΕΣ ΑΥΤΕΣ.

**▲ΠΡΟΕΙΔΟΠΟΙΗΣΗ:** ΜΗΝ επιτρέψετε το βαθμό άνεσης ή εξοικείωσης με το προϊόν (λόγω επανειλημμένης χρήσης) να αντικαταστήσει την αυστηρή τήρηση των κανόνων ασφαλείας του παρόντος εργαλείου. Η ΛΑΝΘΑΣΜΕΝΗ ΧΡΗΣΗ ή η αμέλεια να ακολουθήσετε τους κανόνες ασφαλείας που διατυπώνονται στο παρόν εγχειρίδιο οδηγιών μπορεί να προκαλέσει σοβαρό προσωπικό τραυματισμό.

## Σημαντικές οδηγίες ασφάλειας για κασέτα μπαταριών

1. Πριν χρησιμοποιήσετε την κασέτα μπαταριών, διαβάστε όλες τις οδηγίες και σημειώσεις προφύλαξης (1) στον φορτιστή μπαταριών, (2) στην μπαταρία και (3) στο προϊόν που χρησιμοποιεί την μπαταρία.
2. Μην αποσυναρμολογήσετε ή παραβιάσετε την κασέτα μπαταριών. Μπορεί να έχει ως αποτέλεσμα πυρκαγιά, υπερθέρμανση ή έκρηξη.
3. Εάν ο χρόνος λειτουργίας έχει γίνει υπερβολικά βραχύς, σταματήστε τη λειτουργία αμέσως. Αλλιώς, μπορεί να έχει ως αποτέλεσμα κίνδυνο υπερθέρμανσης, πιθανά εγκαύματα ή ακόμη και έκρηξη.
4. Εάν ηλεκτρολύτης μπει στα μάτια σας, ξεπλύνετέ τα με καθαρό νερό και ζητήστε ιατρική φροντίδα αμέσως. Αλλιώς, μπορεί να έχει ως αποτέλεσμα απώλεια της όρασης σας.
5. Μη βραχυκυκλώνετε την κασέτα μπαταριών:
  - (1) Μην αγγίζετε τους πόλους με οτιδήποτε αγώγιμο υλικό.
  - (2) Αποφεύγετε να αποθηκεύετε την κασέτα μπαταριών μέσα σε ένα δοχείο μαζί με άλλα μεταλλικά αντικείμενα όπως καρφιά, νομίσματα, κλπ.
  - (3) Μην εκθέτετε την κασέτα μπαταριών στο νερό ή στη βροχή.
 Ένα βραχυκύκλωμα μπαταρίας μπορεί να προκαλέσει μεγάλη ροή ρεύματος, υπερθέρμανση, πιθανά εγκαύματα ακόμη και σοβαρή βλάβη.
6. Μην αποθηκεύετε και μην χρησιμοποιείτε το εργαλείο και την κασέτα μπαταριών σε τοποθεσίες όπου η θερμοκρασία μπορεί να φτάσει ή να ξεπεράσει τους 50°C.

## ΦΥΛΑΞΤΕ ΤΙΣ ΟΔΗΓΙΕΣ ΑΥΤΕΣ.

**▲ΠΡΟΣΟΧΗ:** Να χρησιμοποιείτε μόνο γνήσιες μπαταρίες της Makita. Η χρήση μη γνήσιων μπαταριών Makita, ή μπαταριών που έχουν τροποποιηθεί, μπορεί να έχει ως αποτέλεσμα τη ρήξη της μπαταρίας, προκαλώντας πυρκαγιά, προσωπικό τραυματισμό και βλάβη. Επίσης, θα ακυρωθεί η εγγύηση της Makita για το εργαλείο και φορτιστή Makita.

## Συμβουλές για τη διατήρηση της μέγιστης ζωής μπαταρίας

1. Φορτίζετε την κασέτα μπαταριών πριν από την πλήρη αποφόρτιση της. Πάντοτε να σταματάτε τη λειτουργία του εργαλείου και να φορτίζετε την κασέτα μπαταριών όταν παρατηρείτε μειωμένη ισχύ εργαλείου.
2. Ποτέ μην επαναφορτίζετε μια πλήρως φορτισμένη κασέτα μπαταριών. Η υπερφόρτιση μειώνει την ωφέλιμη ζωή της μπαταρίας.
3. Να φορτίζετε την κασέτα μπαταριών σε θερμοκρασία δωματίου, δηλαδή στους 10 °C έως 40 °C. Αφήστε μια θερμή κασέτα μπαταριών να κρυώσει πριν την φορτίσετε.
4. Όταν δεν χρησιμοποιείτε την κασέτα μπαταριών, αφαιρέστε την από το εργαλείο ή τον φορτιστή.
5. Να φορτίζετε την κασέτα μπαταριών εάν δεν τη χρησιμοποιείτε για μεγάλη χρονική περίοδο (περισσότερο από έξι μήνες).

## ΑΡΧΙΚΗ ΡΥΘΜΙΣΗ

**▲ ΠΡΟΣΟΧΗ:** Να βεβαιώνετε πάντα ότι το εργαλείο είναι σβηστό και η κασέτα μπαταρίας έχει αφαιρεθεί πριν εκτελέσετε κάποια εργασία στο εργαλείο.

## ΠΕΡΙΓΡΑΦΗ ΕΞΑΡΤΗΜΑΤΩΝ

► **Εικ.1**

1	Κύριο εργαλείο	2	Μπροστινή χειρολαβή
3	Πλευρική χειρολαβή	4	Δέκτης αντίδρασης
5	Προσαρμογέας μιτών	6	Κλειδί σφιγκτήρα
7	Μπουλόνι	8	Κλειδί

## Προδιαγραφές του μπουλονιού / κλειδιού

	Ονομαστική διάμετρος του μπουλονιού	Μέγεθος κλειδιού (H)
A	M 12	10 mm
B	M 8	6 mm
C	M 6	5 mm

**ΠΑΡΑΤΗΡΗΣΗ:** Ο τύπος του προσαρμογέα μιτών διαφέρει ανάλογα με τη χώρα.

## Ρύθμιση του εργαλείου

**▲ ΠΡΟΣΟΧΗ:** Πριν από τη λειτουργία, να βεβαιώνετε πάντα ότι η πλευρική χειρολαβή και ο δέκτης αντίδρασης έχουν τοποθετηθεί με ασφάλεια.

**ΕΙΔΟΠΟΙΗΣΗ:** Μην σφίζετε υπερβολικά τα μπουλόνια. Μπορεί να προκληθεί ζημιά στο εργαλείο.

## Τοποθέτηση της πλευρικής χειρολαβής

Αφαιρέστε από το εργαλείο τα μπουλόνια που απεικονίζονται στην εικόνα.

Το μπουλόνι που αφαιρέθηκε δεν χρειάζεται για αυτό το εργαλείο αν θέλετε να το χρησιμοποιήσετε ως φορητό γεωτρώπανο. Φυλάξτε τα μπουλόνια για να μη χαθούν.

► **Εικ.2:** 1. Μπουλόνι

Τοποθετήστε την πλευρική χειρολαβή στο εργαλείο. Σφίξτε και τα τέσσερα μπουλόνια προσωρινά και μετά σφίξτε καλά τα μπουλόνια χρησιμοποιώντας το κλειδί.

► **Εικ.3:** 1. Πλευρική χειρολαβή 2. Μπουλόνι A 3. Μπουλόνι B

## Τοποθέτηση του δέκτη αντίδρασης

Τοποθετήστε τον δέκτη αντίδρασης με τρόπο ώστε η ράβδος του δέκτη αντίδρασης να έρχεται στην αριστερή πλευρά του χειριστή. Ρυθμίστε τη θέση του δέκτη αντίδρασης με τρόπο ώστε ο άξονας του τοοκ τρυπανιού να βρίσκεται στο κέντρο του σώματος του χειριστή.

Στερεώστε καλά τα μπουλόνια.

► **Εικ.4:** 1. Ράβδος του δέκτη αντίδρασης 2. Μπουλόνι C

## ΠΕΡΙΓΡΑΦΗ ΛΕΙΤΟΥΡΓΙΑΣ

**▲ ΠΡΟΣΟΧΗ:** Να φροντίζετε πάντα για την απενεργοποίηση του εργαλείου και την αφαίρεση της κασέτας μπαταρίας, πριν από οποιαδήποτε ρύθμιση ή έλεγχο της λειτουργίας του.

## Εμφάνιση υπολειπόμενης χωρητικότητας μπαταρίας

**Μόνο για κασέτες μπαταρίας με την ενδεικτική λυχνία**

► **Εικ.5:** 1. Ενδεικτικές λυχνίες 2. Κουμπί ελέγχου

Πιέστε το κουμπί ελέγχου στην κασέτα μπαταριών για να υποδείξετε την υπολειπόμενη χωρητικότητα μπαταρίας. Οι ενδεικτικές λυχνίες ανάβουν για λίγα δευτερόλεπτα.

Ενδεικτικές λυχνίες			Υπολειπόμενη χωρητικότητα
Αναμμένες	Σβηστές	Αναβοσβήνουν	
■ ■ ■ ■			75% έως 100%
■ ■ ■	□		50% έως 75%
■ ■	□ □		25% έως 50%
■	□ □ □		0% έως 25%
■	□ □ □	□ □ □ □	Φορτίστε την μπαταρία.
■ ■ □ □		□ □ □ □	Μπορεί να προκύψει δυσλειτουργία στην μπαταρία.

**ΠΑΡΑΤΗΡΗΣΗ:** Ανάλογα με τις συνθήκες χρήσης και τη θερμοκρασία περιβάλλοντος, η ένδειξη μπορεί να διαφέρει λίγο από την πραγματική χωρητικότητα.

**ΠΑΡΑΤΗΡΗΣΗ:** Η πρώτη (τέρμα αριστερά) ενδεικτική λυχνία θα αναβοσβήνει όταν λειτουργεί το σύστημα προστασίας μπαταρίας.

## Σύστημα προστασίας εργαλείου/μπαταρίας

Το εργαλείο είναι εξοπλισμένο με σύστημα προστασίας εργαλείου/μπαταρίας. Αυτό το σύστημα αποκρίνει αυτόματα την ισχύ προς το μοτέρ για να παραταθεί η διάρκεια λειτουργίας του εργαλείου και της μπαταρίας. Το εργαλείο σταματάει αυτόματα κατά τη διάρκεια της λειτουργίας εάν το εργαλείο ή η μπαταρία βρεθούν κάτω από τις παρακάτω συνθήκες:

## Προστασία υπερφόρτωσης

Όταν το εργαλείο/μπαταρία λειτουργεί με τρόπο που προκαλεί την κατανάλωση ενός ασυνήθιστα υψηλού ηλεκτρικού ρεύματος, το εργαλείο σταματάει αυτόματα. Σε αυτή την κατάσταση, σβήστε το εργαλείο και διακόψτε την εφαρμογή που προκαλεί την υπερφόρτωση του εργαλείου. Μετά, ενεργοποιήστε το εργαλείο για επανεκκίνηση.

## Προστασία υπερθέρμανσης

Όταν το εργαλείο/μπαταρία υπερθερμαίνεται, το εργαλείο σταματάει αυτόματα. Σε αυτή την κατάσταση, αφήστε τη θερμοκρασία του εργαλείου/μπαταρίας να μειωθεί πριν ενεργοποιήσετε ξανά το εργαλείο.

## Προστασία υπερβολικής αποφόρτισης

Όταν η φόρτιση μπαταρίας δεν είναι αρκετή, το εργαλείο σταματάει αυτόματα. Σε αυτή την περίπτωση, βγάλτε την μπαταρία από το εργαλείο και φορτίστε την μπαταρία.

## Διακόπτης κύριας λειτουργίας

**⚠ ΠΡΟΕΙΔΟΠΟΙΗΣΗ:** Να απενεργοποιείτε πάντα το διακόπτη κύριας λειτουργίας όταν δεν χρησιμοποιείτε το εργαλείο.

Για να σταθείτε δίπλα από το εργαλείο, πατήστε το κουμπί κύριας λειτουργίας μέχρι να ανάψει η λυχνία κύριας λειτουργίας. Για απενεργοποίηση, πατήστε ξανά το κουμπί κύριας λειτουργίας.

► **Εικ.6:** 1. Κουμπί κύριας λειτουργίας

**ΠΑΡΑΤΗΡΗΣΗ:** Αυτό το εργαλείο χρησιμοποιεί τη λειτουργία αυτόματης απενεργοποίησης. Για να αποφευχθεί η αθλήτη εκκίνηση, ο διακόπτης κύριας λειτουργίας κλείνει αυτόματα αν δεν τραβήξετε τη σκανδάλη διακόπτη για κάποια καθορισμένη περίοδο μετά την ενεργοποίηση του διακόπτη κύριας λειτουργίας.

## Δράση διακόπτη

**⚠ ΠΡΟΣΟΧΗ:** Πριν βάλετε την κασέτα μπαταρίας μέσα στο εργαλείο, να ελέγχετε πάντα να δείτε αν η σκανδάλη διακόπτης ενεργοποιείται κανονικά και επιστρέφει στη θέση «OFF» όταν ελευθερώνεται.

► **Εικ.7:** 1. Σκανδάλη διακόπτης

Για να ξεκινήσετε το εργαλείο, τραβήξτε τη σκανδάλη διακόπτη ενώ ο διακόπτης κύριας λειτουργίας είναι ενεργοποιημένος. Η ταχύτητα του εργαλείου αυξάνει αν αυξήσετε την πίεση στη σκανδάλη διακόπτη. Ελευθερώστε τη σκανδάλη διακόπτη για να σταματήσετε.

**ΠΑΡΑΤΗΡΗΣΗ:** Το εργαλείο σταματά αυτόματα αν συνεχίσετε να τραβάτε τη σκανδάλη διακόπτη για περίπου 6 λεπτά.

## Αναμμα της μπροστινής λάμπας

**⚠ ΠΡΟΣΟΧΗ:** Μην κοιτάζετε κατευθείαν μέσα στο φως ή στην πηγή φωτός.

► **Εικ.8:** 1. Λάμπα

Τραβήξτε τη σκανδάλη διακόπτη για να ενεργοποιήσετε τη λάμπα. Η λάμπα εξακολουθεί να είναι αναμμένη όσο τραβάτε τη σκανδάλη διακόπτη. Η λάμπα σβήνει περίπου 10 δευτερόλεπτα αφού αφήσετε τη σκανδάλη διακόπτη.

**ΠΑΡΑΤΗΡΗΣΗ:** Όταν το εργαλείο υπερθερμανθεί, η λειτουργία του εργαλείου σταματάει αυτόματα και η λυχνία αρχίζει να αναβοσβήνει. Σε αυτή την περίπτωση, αφήστε τη σκανδάλη διακόπτη. Η λυχνία σβήνει σε 5 λεπτά.

**ΠΑΡΑΤΗΡΗΣΗ:** Χρησιμοποιήστε ένα στεγνό πανί για να σκουπίσετε τη σκόνη από το φακό της λάμπας. Προσέχετε να μη γρατζουνίσετε το φακό της λάμπας, επειδή μπορεί να μειωθεί η ένταση του φωτισμού.

## Δράση διακόπτη αντιστροφής

**⚠ ΠΡΟΣΟΧΗ:** Να ελέγχετε πάντα τη διεύθυνση περιστροφής πριν από τη λειτουργία.

**⚠ ΠΡΟΣΟΧΗ:** Να χρησιμοποιείτε τον διακόπτη αντιστροφής μόνο αφού το εργαλείο σταματήσει εντελώς. Η αλλαγή της διεύθυνσης περιστροφής πριν σταματήσει το εργαλείο μπορεί να προκαλέσει ζημιά στο εργαλείο.

**⚠ ΠΡΟΣΟΧΗ:** Όταν δεν χρησιμοποιείτε το εργαλείο, να βάζετε πάντα το μοχλό διακόπτη αντιστροφής στην ουδέτερη θέση.

Αυτό το εργαλείο διαθέτει έναν διακόπτη αντιστροφής για να αλλάζετε τη διεύθυνση περιστροφής. Πίεστε το μοχλό διακόπτη αντιστροφής από την πλευρά Α για δεξιόστροφη περιστροφή ή από την πλευρά Β για αριστερόστροφη περιστροφή.

Όταν ο μοχλός διακόπτης αντιστροφής είναι στην ουδέτερη θέση, ο μοχλός διακόπτης δεν μπορεί να τραβηχθεί.




► **Εικ.9:** 1. Μοχλός διακόπτης αντιστροφής

## Αυτόματη λειτουργία αλλαγής ταχύτητας

Αυτό το εργαλείο έχει «τρόπο λειτουργίας υψηλής ταχύτητας» και «τρόπο λειτουργίας υψηλής ροπής». Το εργαλείο αλλάζει αυτόματα τον τρόπο λειτουργίας ανάλογα με το φόρτο εργασίας. Όταν το φόρτο εργασίας είναι χαμηλό, το εργαλείο θα λειτουργεί με τον «τρόπο λειτουργίας υψηλής ταχύτητας» για πιο γρήγορη λειτουργία. Όταν το φόρτο εργασίας είναι υψηλό, το εργαλείο θα λειτουργεί με τον «τρόπο λειτουργίας υψηλής ροπής» για πιο ισχυρή λειτουργία.

► **Εικ.10:** 1. Ένδειξη τρόπου λειτουργίας

Η ένδειξη τρόπου λειτουργίας ανάβει με πράσινο χρώμα όταν το εργαλείο λειτουργεί με τον «τρόπο λειτουργίας υψηλής ροπής». Αν το εργαλείο τεθεί σε λειτουργία με υπερβολικό φόρτο, η ένδειξη τρόπου λειτουργίας θα αναβοσβήνει με πράσινο χρώμα. Η ένδειξη τρόπου λειτουργίας σταματάει να αναβοσβήνει και μετά ανάβει ή σβήνει αν μειώσετε το φόρτο στο εργαλείο.

Κατάσταση ένδειξης τρόπου λειτουργίας			Τρόπος λειτουργίας
<input checked="" type="radio"/> Αναμμένη	<input type="radio"/> Σβηστή	<input checked="" type="radio"/> Αναβοσβήνει	
			Τρόπος λειτουργίας υψηλής ταχύτητας
			Τρόπος λειτουργίας υψηλής ροπής
			Ειδοποίηση υπερφόρτωσης

## Αλλαγή ταχύτητας

**ΕΙΔΟΠΟΙΗΣΗ:** Χρησιμοποιείτε τη λαβή αλλαγής ταχύτητας μόνο αφού το εργαλείο σταματήσει εντελώς. Η αλλαγή της ταχύτητας του εργαλείου πριν το εργαλείο σταματήσει μπορεί να προκαλέσει ζημιά στο εργαλείο.

**ΕΙΔΟΠΟΙΗΣΗ:** Να ρυθμίζετε πάντα τη λαβή αλλαγής ταχύτητας προσεκτικά στη σωστή θέση. Αν χειρίζεστε το εργαλείο όταν η λαβή αλλαγής ταχύτητας βρίσκεται στα μισά μεταξύ της θέσης 1 και της θέσης 2, μπορεί να προκληθεί ζημιά στο εργαλείο.

Η προεπιλογή των δύο ευρών ταχυτήτων είναι εφικτή μέσω της λαβής αλλαγής ταχύτητας.

Για να αλλάξετε την ταχύτητα, πατήστε το κουμπί ασφάλισης και γυρίστε τη λαβή αλλαγής ταχύτητας με τρόπο ώστε ο δείκτης να είναι στραμμένος στη θέση 1 για χαμηλή ταχύτητα ή στη θέση 2 για υψηλή ταχύτητα.

► **Εικ.11:** 1. Κουμπί ασφάλισης 2. Δείκτης 3. Λαβή αλλαγής ταχύτητας

## Περιοριστής ροπής

Ο περιοριστής ροπής ενεργοποιείται όταν επιτευχθεί μια καθορισμένη τιμή ροπής στη ρύθμιση χαμηλής ταχύτητας (θέση 1). Το μοτέρ αποσυμπλέκεται από τον άξονα εξόδου. Όταν συμβεί αυτό, διακόπτεται η περιστροφή της μύτης τρυπανιού.

## Οπή ιμάντα

**▲ΠΡΟΕΙΔΟΠΟΙΗΣΗ:** Μην χρησιμοποιείτε την οπή ιμάντα για οποιονδήποτε άλλο σκοπό, εκτός από το κρέμασμα του εργαλείου ή ως αντικλεπτική προστασία του εργαλείου. Διαφορετικά, μπορεί να προκύψει προσωπικός τραυματισμός.

► **Εικ.12:** 1. Οπή ιμάντα

## ΣΥΝΑΡΜΟΛΟΓΗΣΗ

### Τοποθέτηση ή αφαίρεση της κασέτας μπαταριών

**▲ΠΡΟΣΟΧΗ:** Να σβήνετε πάντα το εργαλείο πριν τοποθετήσετε ή αφαιρέσετε την κασέτα μπαταριών.

**▲ΠΡΟΣΟΧΗ:** Κρατήστε το εργαλείο και την κασέτα μπαταριών σταθερά κατά την τοποθέτηση ή αφαίρεση της κασέτας μπαταριών. Εάν δεν κρατάτε το εργαλείο και την κασέτα μπαταριών σταθερά μπορεί να γλιστρήσουν από τα χέρια σας και να προκληθεί βλάβη στο εργαλείο και την κασέτα μπαταριών και προσωπικός τραυματισμός.

► **Εικ.13:** 1. Κόκκινος δείκτης 2. Κουμπί 3. Κασέτα μπαταριών

Για να αφαιρέσετε την κασέτα μπαταριών, ολισθήστε την από το εργαλείο ενώ σύρετε το κουμπί στο μπροστινό μέρος της κασέτας.

Για να τοποθετήσετε την κασέτα μπαταριών, ευθυγραμμίστε τη γλώσσα στην κασέτα μπαταριών με την εγκοπή στο περίβλημα και ολισθήστε τη στη θέση της. Τοποθετήστε την μέχρι τέρμα μέχρι να ασφαλιστεί στη θέση της, γεγονός που υποδεικνύεται με ένα χαρακτηριστικό ήχο. Αν μπορείτε να δείτε τον κόκκινο δείκτη όπως απεικονίζεται στην εικόνα, δεν έχει κλειδωθεί τελείως.

**▲ΠΡΟΣΟΧΗ:** Να τοποθετείτε πάντα την κασέτα μπαταριών πλήρως μέχρι να μη βλέπετε τον κόκκινο δείκτη. Εάν δεν ασφαλιστεί, μπορεί να πέσει από το εργαλείο τυχαία, προκαλώντας σωματική βλάβη σε εσάς ή κάποιον άλλο γύρω σας.

**▲ΠΡΟΣΟΧΗ:** Μην τοποθετείτε την κασέτα μπαταριών με βία. Εάν η κασέτα δεν ολισθαίνει με ευκολία, τότε δεν έχει τοποθετηθεί κατάλληλα.

### Στερέωση της κοχλιωτής μύτης

**▲ΠΡΟΣΟΧΗ:** Να βεβαιώνετε πάντα ότι το εργαλείο είναι σβηστό και η κασέτα μπαταρίας έχει αφαιρεθεί πριν εκτελέσετε κάποια εργασία στο εργαλείο.

**▲ΠΡΟΣΟΧΗ:** Όταν εγκαθιστάτε τον προσαρμογέα μύτων στο τσοκ, βεβαιωθείτε ότι ο προσαρμογέας μύτων έχει εισαχθεί μέχρι τέρμα.

**▲ΠΡΟΣΟΧΗ:** Όταν συνδέετε την κοχλιωτή μύτη στον προσαρμογέα μύτων, βεβαιωθείτε ότι ο πείρος τρυπανιού είναι ασφαλισμένος και επιθεωρήστε τον πείρο τρυπανιού για τυχόν ζημιές.

**▲ΠΡΟΣΟΧΗ:** Όταν μεταφέρετε το εργαλείο, αφαιρέστε την κοχλιωτή μύτη από το εργαλείο.

## Τοποθέτηση ή αφαίρεση του προσαρμογέα μυτών

Για να στερεώσετε μια κοχλιωτή μύτη, τοποθετήστε τον προσαρμογέα μυτών εκ των προτέρων.

Για να τοποθετήσετε τον προσαρμογέα μυτών, τοποθετήστε τον προσαρμογέα μυτών στο τσοκ μέχρι τέρμα. Σφίξτε το τσοκ περιστρέφοντας το χιτώνιο με το χέρι. Τοποθετήστε το κλειδί τσοκ στην οπή τσοκ και σφίξτε δεξιόστροφα. Βεβαιωθείτε να σφίξετε ομοιόμορφα και τις τρεις οπές του τσοκ. Για να βγάλετε τον προσαρμογέα μυτών, περιστρέψτε αριστερόστροφα το κλειδί τσοκ σε μία μόνο οπή και κατόπιν ξεσφίξτε το τσοκ με το χέρι.

► **Εικ.14:** 1. Κλειδί τσοκ 2. Τσοκ 3. Χιτώνιο

Μετά τη χρήση, επιστρέψτε το κλειδί τσοκ στον χώρο φύλαξής του στο εργαλείο, όπως απεικονίζεται.

► **Εικ.15**

## Στερέωση της κοχλιωτής μύτης στον προσαρμογέα μυτών

**ΠΑΡΑΤΗΡΗΣΗ:** Το σχήμα και ο μηχανισμός της κοχλιωτής μύτης και του πείρου τρυπανιού μπορεί να διαφέρει ανάλογα με την κοχλιωτή μύτη.

Ευθυγραμμίστε την οπή του προσαρμογέα μυτών με την οπή στην κοχλιωτή μύτη.

Τοποθετήστε την κοχλιωτή μύτη στον προσαρμογέα μυτών.

► **Εικ.16:** 1. Κοχλιωτή μύτη 2. Προσαρμογέας μυτών

Στερεώστε την κοχλιωτή μύτη με τον πείρο τρυπανιού και την ασφάλιση.

► **Εικ.17:** 1. Πείρος τρυπανιού 2. Ασφάλιση

## ΛΕΙΤΟΥΡΓΙΑ

**ΠΡΟΣΟΧΗ:** Πρόκειται για ένα ισχυρό εργαλείο που παράγει υψηλή ροπή. Είναι σημαντικό να κρατάτε και να στηρίζετε το εργαλείο με ασφάλεια.

**ΠΡΟΣΟΧΗ:** Πριν τη λειτουργία, ελέγξτε ότι δεν υπάρχει ξένο υλικό (άμμος, βρομιά, κτλ.) κολλημένο στα ανοίγματα ή τα κινούμενα μέρη.

## Στάση εργασίας

Η διατήρηση της σωστής θέσης εργασίας είναι ένας από τους πιο σημαντικούς και αποτελεσματικούς τρόπους να ελέγχετε το κλόσημα. Διατηρήστε σωστή στάση τηρώντας τα ακόλουθα σημεία.

- Τοποθετήστε το εργαλείο με τρόπο ώστε η ράβδος του δέκτη αντίδρασης να έρχεται πάντα σε επαφή με την αριστερή πλευρά της μέσης σας.
  - Πιάστε τη χειρολαβή και την πλευρική χειρολαβή και με τα δύο χέρια. Τυλίξτε τα δάχτυλά σας γύρω από τις περιοχές κρατήματος, διατηρώντας τις περιοχές κρατήματος καλά εφαρμοσμένες μεταξύ του αντιχειρα και των δαχτύλων σας.
  - Διατηρήστε την πλάτη σας όσο το δυνατόν πιο κάθετα, λυγίζοντας τα γόνατά σας όπως απαιτείται κατά την εκσκαφή.
  - Μείνετε σε ετοιμότητα όσον αφορά τη ροπή αντίδρασης του εργαλείου. Να διατηρείτε πάντα τη στάση εργασίας με την οποία μπορείτε να αντέξετε τη ροπή αντίδρασης.
- **Εικ.18:** 1. Λαβή 2. Πλευρική χειρολαβή 3. Ράβδος του δέκτη αντίδρασης

**ΠΡΟΣΟΧΗ:** Αποφύγετε τη λανθασμένη τοποθέτηση. Μη στέκεστε πολύ μακριά από το εργαλείο. Μπορεί να μην επιτευχθεί η σωστή αντίδραση και έλεγχος στην περίπτωση κλοσημάτων.

► **Εικ.19**

## Λειτουργία εκσκαφής

**ΠΡΟΣΟΧΗ:** Κρατήστε το εργαλείο σταθερά κατά το χειρισμό του εργαλείου.

**ΠΡΟΣΟΧΗ:** Όταν αφήνετε το εργαλείο, για παράδειγμα σε κάποιο διάλειμμα, μην αφήνετε το εργαλείο καρφωμένο στο έδαφος ή γερμένο επάνω σε τοίχο. Αποθηκεύετε το εργαλείο σε μια σταθερή θέση.

**ΕΙΔΟΠΟΙΗΣΗ:** Όταν η περιστροφική ταχύτητα είναι πολύ μικρή, μειώστε το φορτίο ή σταματήστε τη λειτουργία του εργαλείου για να αποφύγετε την πρόκληση ζημιάς στο εργαλείο.

**ΕΙΔΟΠΟΙΗΣΗ:** Η υπερβολική πίεση στο εργαλείο δεν επιταχύνει την εκσκαφή. Στην πραγματικότητα, αυτή η υπερβολική πίεση προκαλεί ζημία στο άκρο της κοχλιωτής μύτης, μείωση της απόδοσης αλλά και της διάρκειας ζωής του εργαλείου.

**ΕΙΔΟΠΟΙΗΣΗ:** Αποφεύγετε την εκσκαφή σε υλικά που υποπτεύεστε ότι περιέχουν κρυφά καρφιά ή άλλα αντικείμενα που μπορεί να προκαλέσουν την εμπλοκή ή τη θραύση της κοχλιωτής μύτης.

**ΕΙΔΟΠΟΙΗΣΗ:** Αν το εργαλείο λειτουργεί συνεχόμενα έως ότου αποφορτιστεί η κασέτα μπαταριών, αφήστε το εργαλείο σβηστό για 15 λεπτά πριν συνεχίσετε την εργασία με ανανεωμένη μπαταρία.

- Επιλέξτε την ταχύτητα (υψηλή/χαμηλή) σωστά, ανάλογα με τη διάμετρο οπής και την κατάσταση του εδάφους.
- Όταν σκάβετε μια βαθιά τρύπα ή σκάβετε σε αργιλόχοο έδαφος, μην προσπαθήσετε να κάνετε ολόκληρη την εκσκαφή με τη μία. Σκάψτε την τρύπα σηκώνοντας και κατεβάζοντας το εργαλείο, ώστε το χώμα μέσα στην τρύπα να εκκενώνεται.
- Αν η περιστροφική ταχύτητα του εργαλείου επιβραδύνει λόγω λειτουργίας με υψηλό φόρτο, σηκώστε το εργαλείο λίγο και μετακινήστε το εργαλείο πάνω και κάτω για να σκάβετε με μικρά βήματα.

## Όταν περιστρέφετε την κοχλιωτή μύτη αντίστροφα

Μπορείτε να αφαιρέσετε μια μπλοκαρισμένη κοχλιωτή μύτη με απλή ρύθμιση του διακόπτη αντιστροφής στη θέση αντιστροφής περιστροφής, ώστε η μύτη να οπισθοχωρήσει.

Κατά την αντίστροφη δράση, στηρίζετε το εργαλείο με το σώμα σας για να αποφευχθεί η δεξιόστροφη αντίδραση.

► **Εικ.20**

**ΠΡΟΣΟΧΗ:** Κρατήστε το εργαλείο σταθερά. Το εργαλείο μπορεί να οπισθοχωρήσει απότομα και να προκληθεί τραυματισμός.



## ΣΥΝΤΗΡΗΣΗ

**⚠ ΠΡΟΣΟΧΗ:** Πριν την εκτέλεση εργασιών επιθεώρησης ή συντήρησης, πάντοτε να βεβαιώνετε ότι η συσκευή απενεργοποιήθηκε και η κασέτα μπαταριών έχει αφαιρεθεί.

**ΕΙΔΟΠΟΙΗΣΗ:** Μην χρησιμοποιείτε ποτέ βενζίνη, πετρελαϊκό αιθέρα, διαλυτικό, αλκοόλη ή παρόμοιες ουσίες. Μπορεί να προκληθεί αποχρωματισμός, παραμόρφωση ή ρωγμές.

Για τη διατήρηση της ΑΣΦΑΛΕΙΑΣ και ΑΞΙΟΠΙΣΤΙΑΣ του προϊόντος, οι επισκευές και οποιαδήποτε άλλη εργασία συντήρησης ή ρύθμισης πρέπει να εκτελούνται από εξουσιοδοτημένα ή εργοστασιακά κέντρα εξυπηρέτησης της Makita, χρησιμοποιώντας πάντοτε ανταλλακτικά της Makita.

## ΠΡΟΑΙΡΕΤΙΚΑ ΕΞΑΡΤΗΜΑΤΑ

**⚠ ΠΡΟΣΟΧΗ:** Αυτά τα εξαρτήματα ή προσαρτήματα συνιστώνται για χρήση με το εργαλείο Makita που περιγράφηκε στις οδηγίες αυτές. Η χρήση οποιωνδήποτε άλλων εξαρτημάτων ή προσαρτημάτων μπορεί να προκαλέσει κίνδυνο τραυματισμού σε άτομα. Να χρησιμοποιείτε τα εξαρτήματα ή προσαρτήματα μόνο για την χρήση που προορίζονται.

Εάν χρειάζεστε οποιαδήποτε βοήθεια για περισσότερες πληροφορίες σε σχέση με αυτά τα εξαρτήματα, αποταθείτε στο τοπικό σας κέντρο εξυπηρέτησης Makita.

- Κοχλιωτές μύτες
- Προσαρμογέας μυτών
- Γνήσια μπαταρία και φορτιστής της Makita

**ΠΑΡΑΤΗΡΗΣΗ:** Μερικά στοιχεία στη λίστα μπορεί να συμπεριλαμβάνονται στη συσκευασία εργαλείου ως στάνταρ εξαρτήματα. Μπορεί να διαφέρουν ανάλογα με τη χώρα.

## TEKNİK ÖZELLİKLER

Model:		DDG460
Yüksüz hız	Yüksek	0 - 1.400 min <sup>-1</sup>
	Düşük	0 - 350 min <sup>-1</sup>
Delme kapasiteleri (Çap)	Yüksek	Kumlu toprak için: ø60 mm Killi toprak için: ø60 mm
	Düşük	Kumlu toprak için: ø200 mm Killi toprak için: ø150 mm
Tam uzunluk		840 mm
Anma voltajı		D.C. 36 V
Net ağırlık		7,3 - 8,2 kg

- Sürekli yapılan araştırma ve geliştirmelerden dolayı, burada belirtilen özellikler önceden bildirilmeksizin değiştirilebilir.
- Özellikler ülkeden ülkeye değişebilir.
- Ağırlık, ekli aksesuar/aksesuarlara ve batarya kartuşuna bağlı olarak farklılık gösterebilir. EPTA-Prosedürü 01/2014'e göre en hafif ve en ağır kombinasyonlar tabloda verilmiştir.

### Geçerli batarya kartuşu ve şarj aleti

Batarya kartuşu	BL1815N / BL1820B / BL1830B / BL1840B / BL1850B / BL1860B
Şarj aleti	DC18RC / DC18RD / DC18RE / DC18SD / DC18SE / DC18SF / DC18SH / DC18WC

- Yukarıda listelenen batarya kartuşlarının ve şarj aletlerinin bazıları yaşadığınız bölgeye bağlı olarak mevcut olmayabilir.

**⚠UYARI:** Sadece yukarıda listelenen batarya kartuşlarını ve şarj aletlerini kullanın. Başka batarya kartuşlarının ve şarj aletlerinin kullanılması yaralanma ve/veya yangına neden olabilir.

### Önerilen kablo bağlantılı güç kaynağı

Taşınabilir güç ünitesi	PDC01 / PDC1200
-------------------------	-----------------

- Yukarıda listelenen kablo bağlantılı güç kaynakları yaşadığınız bölgeye bağlı olarak mevcut olmayabilir.
- Kablo bağlantılı güç kaynağını kullanmadan önce, üzerindeki uyarı işaretlerini ve talimatı okuyun.

### Kullanım amacı

Bu alet toprağa delik açmak için kullanılır.

### Gürültü

Tipik A-ağırlıklı gürültü düzeyi (EN62841-2-1 standardına göre belirlenen):

Ses basınç seviyesi (L<sub>PA</sub>): 85 dB (A)

Ses gücü düzeyi (L<sub>WA</sub>): 96 dB (A)

Belirsizlik (K): 3 dB (A)

**NOT:** Beyan edilen gürültü emisyonu değer(ler)i bir standart test yöntemine uygun şekilde ölçülmüştür ve bir aleti bir başkasıyla karşılaştırmak için kullanılabilir.

**NOT:** Beyan edilen gürültü emisyonu değer(ler)i bir ön maruz kalma değerlendirmesi olarak da kullanılabilir.

**⚠UYARI:** Kulak koruyucuları takın.

**⚠UYARI:** Elektrikli aletin gerçek kullanımı sırasındaki gürültü emisyonu, aletin kullanım biçimlerine, özellikle işlenen iş parçasının türüne bağlı olarak beyan edilen değer(ler)den farklı olabilir.

**⚠UYARI:** Gerçek kullanım koşullarındaki tahmini maruziyeti baz alan, operatörü koruyacak güvenlik önlemlerini mutlaka belirleyin (çalışma döngüsü içerisinde aletin kapalı olduğu ve aktif durumda olmasının yanı sıra boşta çalıştığı zamanlar gibi, bütün zaman dilimleri göz önünde bulundurarak).

### Titreşim

Titreşim toplam değeri (üç eksenli vektör toplamı) (EN62841-2-1 standardına göre hesaplanan):  
Titreşim emisyonu (a<sub>h,D</sub>): 2,5 m/s<sup>2</sup>den az  
Belirsizlik (K) : 1,5 m/s<sup>2</sup>

**NOT:** Beyan edilen titreşim toplam değeri bir standart test yöntemine uygun şekilde ölçülmüştür ve bir aleti bir başkasıyla karşılaştırmak için kullanılabilir.

**NOT:** Beyan edilen titreşim toplam değeri bir ön maruz kalma değerlendirilmesi olarak da kullanılabilir.

**UYARI:** Elektrikli aletin gerçek kullanımı sırasındaki titreşim emisyonu, aletin kullanım biçimlerine, özellikle işlenen iş parçasının türüne bağlı olarak beyan edilen değeri farklı olabilir.

**UYARI:** Gerçek kullanım koşullarındaki tahmini maruziyeti baz alan, operatörü koruyacak güvenlik önlemlerini mutlaka belirleyin (çalışma döngüsü içerisinde aletin kapalı olduğu ve aktif durumda olmasının yanı sıra boşta çalıştığı zamanlar gibi, bütün zaman dilimleri göz önünde bulundurarak).

## EC Uygunluk Beyanı

### Sadece Avrupa ülkeleri için

EC uygunluk beyanı bu kullanım kılavuzuna Ek A olarak eklenmiştir.

## GÜVENLİK UYARILARI

### Genel elektrikli alet güvenliği uyarıları

**UYARI:** Bu elektrikli aletle birlikte sunulan tüm güvenlik uyarılarını, talimatları, çizimleri ve teknik özellikleri okuyun. Aşağıda verilen talimatlara uyulmaması elektrik şoku, yangın ve/veya ciddi yaralanmalar ile sonuçlanabilir.

## Tüm uyarıları ve talimatları iletiride başvurmak için saklayın.

Uyarılardaki "elektrikli alet" terimi ile ya prizden çekilen (kordonlu) elektrikli aletiniz ya da kendi aküsü ile çalışın (kordonsuz) elektrikli aletiniz kastedilmektedir.

### Akülü Toprak Burgu Makinesi güvenlik uyarıları

- Aleti, iki elle bu amaçla tasarlanmış olan tutamaklardan tutun.** Kontrolün kaybedilmesi yaralanmaya neden olabilir.
- Aleti kullanmadan önce uygun şekilde destekleyin.** Bu alet yüksek çıkış torku üretir ve kullanım sırasında aletin uygun şekilde desteklenmemesi kontrol kaybına yol açarak yaralanmaya neden olabilir.
- Delici aksesuarın görünmeyen kablolarına temas etme olasılığı bulunan yerlerde çalışırken elektrikli aleti yalıtımlı kavrama yüzeylerinden tutun.** Delici aksesuarın "akımlı" bir telle temas etmesi elektrikli aletin yalıtımsız metal kısımlarını "akımlı" hale getirebilir ve kullanıcıyı elektrik çarpmasına maruz bırakabilir.
- Toprak burgu ucunun maksimum devir değerinden daha yüksek devirde asla çalıştırmayın.** Yüksek devirlerde, iş parçasına dokunmadan serbest dönmeye izin verilirse ucun bükülmesi muhtemel olup yaralanmaya neden olabilir.

- Toprağı delmeye her zaman düşük devirde ve toprak burgu ucu toprağa temas edecek şekilde başlayın.** Yüksek devirlerde, toprağa temas etmede serbest dönmeye izin verilirse ucun bükülmesi muhtemel olup yaralanmaya neden olabilir.
- Sadece uç ile aynı hatta baskı uygulayın ve fazla baskı uygulamayın.** Uçlar bükülerek kırılma veya kontrol kaybına neden olmak suretiyle yaralanmaya yol açabilir.
- Burgu ucunun dış çapı bu kullanma kılavuzunda belirtilen delme kapasitesi dahilinde olmalıdır.** Doğru boyutta olmayan burgu ucu yeterince kontrol edilemeyecebilir.
- Her zaman yere sağlam basın.** Aleti yüksekte kullanıldığında, altında kimsenin olmadığından emin olun.
- Aleti sıkıca tutun.**
- Ellerinizi dönen parçalardan uzak tutun.**
- Aleti çalışır durumda bırakmayın.** Aleti sadece elinizde iken çalıştırın.
- Çalışmadan hemen sonra burgu ucuna dokunmayın; çok sıcak olabilir ve cildinizi yakabilir.**
- Bazı malzemeler zehirli olabilen kimyasallar içerirler. Toz yutmaya ve cilt temasını önlemek için tedbir alın. Malzeme sağlayıcısının güvenlik bilgilerine uyun.**
- Burgu ucu, burgu pimini çıkarmanıza rağmen devşetilemezse pense ile çekip çıkarın.** Bu durumda burgu ucunun elle çekilerek çıkarılması keskin ucu nedeniyle yaralanmaya neden olabilir.
- Alette anormal sesler gibi yolunda gitmeyen bir şeyler olursa hemen çalışmayı durdurun ve yerel Makita Servis Merkezinizden tamir etmelerini isteyin.**
- Çalışma öncesinde toprakta elektrik borusu, su borusu veya gaz borusu gibi gömülü şeyler olmadığından emin olun.** Aksi takdirde alet bunlara dokunarak elektrik çarpmasına, elektrik kaçağına veya gaz kaçağına yol açabilir.

## BU TALİMATLARI SAKLAYIN.

**UYARI:** Ürünü kullanırken (defalarca kullanınca kazanılan) rahatlık ve tanıdıklık duygusunun ilgili ürünün güvenli kurallarına sıkı sıkıya bağlı kullanım yerine geçmesine İZİN VERMEYİN. YANLIŞ KULLANIM veya bu kullanma kılavuzunda belirtilen emniyet kurallarına uymama ciddi yaralanmaya neden olabilir.

### Batarya kartuşu hakkında önemli güvenlik talimatları

- Batarya kartuşunu kullanmadan önce, tüm talimatları ve (1) batarya kartuşu, (2) batarya ve (3) ürün üzerindeki tüm uyarı işaretlerini okuyun.**
- Batarya kartuşunu parçalarına ayırmayın veya kurcalamayın.** Yangın, aşırı ısı veya patlamaya neden olabilir.
- Çalışma süresi aşırı derecede kısalmışsa kullanmayı derhal bırakın. Aşırı ısınma, yanma riski hatta patlamaya neden olabilir.**
- Gözünüze elektrolit kaçarsa, gözlerinizi temiz suyla durulayın ve hemen tıbbi yardım alın. Görme kaybına yol açabilir.**
- Batarya kartuşuna kısa devre yaptırmayın:**
  - Terminallere herhangi bir iletken madde değdirmeyin.**
  - Batarya kartuşunu çiviler, madeni paralar, vb. gibi başka metal nesnelere aynı kaba koymaktan kaçının.**
  - Batarya kartuşunu yağmura ya da suya maruz bırakmayın.**

Kısa devre, büyük bir akım akışına, aşırı ısınmaya, olası yanıklara hatta bataryanın bozulmasına yol açabilir.

6. Aleti ve batarya kartuşunu sıcaklığın 50°C ya da daha yükseğe ulaştığı yerlerde saklamayın ve kullanmayın.
7. Aşırı derecede hasar görmüş ya da tamamen kullanılamaz durumda olsa bile batarya kartuşunu yakmayın. Batarya kartuşu ateşe atılırsa patlayabilir.
8. Batarya kartuşunu çivilemeyin, kesmeyin, ezmeyin, fırlatmayın, düşürmeyin ya da batarya kartuşuna sert bir nesne ile vurmayın. Bu eylemler yangın, aşırı ısı veya patlamaya neden olabilir.
9. Hasarlı bataryayı kullanmayın.
10. Aletin içerdiği lityum-iyon bataryalar Tehlikeli Eşyalar Yönetmeliğinin gereksinimlerine tabidir. Ticari nakliye işlemleri için, örneğin üçüncü taraflar, nakliye acenteleri tarafından yapılan nakliyelerde, paketleme ve etiketleme gereksinimlerine uyulmalıdır. Nakliyesi yapılacak ürünün hazırlanması için, tehlikeli maddeler konusunda uzman bir kişiye danışın. Lütfen muhtemelen daha ayrıntılı olan ulusal yönetmeliklere de uyun. Açık kontakları bantlayın ya da maskeleyin ve bataryayı paketin içinde hareket etmeyecek şekilde paketleyin.
11. Batarya kartuşunu bertaraf ederken aletten çıkarın ve güvenli bir yerde bertaraf edin. Bataryanın bertaraf edilmesi ile ilgili yerel düzenlemelere uyunuz.
12. Bataryaları sadece Makita tarafından belirtilen ürünlerle kullanın. Bataryaların uyumsuz ürünlere takılması; yangın, aşırı ısınma, patlama ya da elektrolit sızıntısına neden olabilir.
13. Alet uzun süre kullanılmıyacaksa batarya aletten çıkarılmalıdır.
14. Kullanma sırasında ve sonrasında batarya kartuşu ısınarak yanıklara veya düşük sıcaklık yanıklarına yol açabilir. Sıcak batarya kartuşları ile işlem yaparken dikkat edin.
15. Yanıklara neden olabilecek kadar sıcak olabileceğinden kullandıktan hemen sonra aletin terminaline dokunmayın.
16. Batarya kartuşunun terminallerine, deliklerine ve kanallarına mıcır, toz veya toprak girmesine izin vermeyin. Aletin veya batarya kartuşunun ısınmasına, alev almasına, patlamasına ve arızalanmasına neden olarak yanıklara veya yaralanmaya yol açabilir.
17. Alet yüksek gerilim elektrik güç hatları yakınında kullanımı desteklemediği sürece batarya kartuşunu yüksek gerilim elektrik güç hatlarının yakınında kullanmayın. Aletin veya batarya kartuşunun arızalanmasına veya bozulmasına neden olabilir.
18. Bataryayı çocuklardan uzak tutun.

## BU TALİMATLARI MUHAFAZA EDİNİZ.

**⚠DİKKAT:** Sadece orijinal Makita bataryalarını kullanın. Orijinal olmayan Makita bataryaları ya da üzerine değişiklik yapılmış bataryaların kullanımı bataryanın patlamasına ve sonuç olarak yangın, kişisel yaralanma ve hasara neden olabilir. Ayrıca Makita aleti ve şarj aletinin Makita tarafından sunulan garantisi de geçersiz olur.

## Maksimum batarya ömrü için ipuçları

1. Batarya kartuşunu tamamen boşalmadan önce şarj edin. Aletin gücünün zayıflamaya başladığını fark ettiğinizde aleti durdurun ve batarya kartuşunu şarj edin.
2. Tam dolu bir batarya kartuşunu asla yeniden şarj etmeyin. Aşırı şarj etme bataryanın hizmet ömrünü kısaltır.
3. Batarya kartuşunu 10 °C - 40 °C oda sıcaklığında şarj edin. Sıcak bir batarya kartuşunu şarj etmeden önce soğumasını bekleyin.
4. Batarya kartuşunu kullanılmıyorken aletten veya şarj aletinden çıkarın.
5. Uzun bir süre (altı aydan daha fazla) kullanmadığınız durumlarda batarya kartuşunu şarj edin.

## İLK AYAR

**⚠DİKKAT:** Alet üzerinde herhangi bir iş yapmadan önce aletin kapalı ve batarya kartuşunun ayrılmış olduğundan daima emin olun.

## PARÇALARIN TANIMI

► Şek.1

1	Ana alet	2	Ön tutamak
3	Yan tutamak	4	Tepki alıcı
5	Uç adaptörü	6	Mandren anahtarı
7	Cıvata	8	Anahtar

### Cıvata / anahtar teknik özellikleri

-	Cıvatanın nominal çapı	Anahtar boyutu (H)
A	M 12	10 mm
B	M 8	6 mm
C	M 6	5 mm

**NOT:** Uç adaptörünün tipi ülkeye göre değişir.

## Aletin monte edilmesi

**⚠DİKKAT:** Çalışmaya başlamadan önce yan tutamak ve tepki alıcının sağlam şekilde takılmış olduğundan mutlaka emin olun.

**ÖNEMLİ NOT:** Cıvataları aşırı sıkımayın. Alete zarar verebilir.

## Yan tutamağın takılması

Şekilde gösterilen cıvataları aletten çıkarın. Bu aleti akülü toprak burgu makinesi olarak kullanmak istiyorsanız bu alet için çıkarılan cıvataya ihtiyaç yoktur. Cıvataları kaybolmayacak şekilde saklayın.

► Şek.2: 1. Cıvata

Yan tutamağı aletin üzerine yerleştirin. Dört cıvatanın hepsini geçici olarak sıkın ve ardından cıvataları anahtar kullanarak iyice sıkın.

► Şek.3: 1. Yan tutamak 2. Cıvata A 3. Cıvata B

## Tepki alıcının takılması

Tepki alıcının çubuğu operatörün sol tarafına gelecek şekilde tepki alıcıyı yerleştirin.

Tepki alıcının konumunu, mandren eksenli operatörün vücudunun merkezinde olacak şekilde ayarlayın. Cıvataları iyice sıkın.

► **Şek.4:** 1. Tepki alıcının çubuğu 2. Cıvata C

## İŞLEVSEL NİTELİKLER

**⚠ DİKKAT:** Alet üzerinde ayarlama veya işleyiş kontrolü yapmadan önce aletin kapalı ve batarya kartuşunun ayrılmış olduğundan daima emin olun.

## Kalan batarya kapasitesinin gösterilmesi

**Sadece göstergeli batarya kartuşları için**

► **Şek.5:** 1. Gösterge lambaları 2. Kontrol düğmesi

Kalan batarya kapasitesini göstermesi için batarya kartuşu üzerindeki kontrol düğmesine basın. Gösterge lambaları birkaç saniye yanar.

Gösterge lambaları			Kalan kapasite
Yanıyor	Kapalı	Yanıp söniyor	
■	□	▧	%75 ila %100
■ ■ ■ ■			
■ ■ ■ □			%50 ila %75
■ ■ □ □			%25 ila %50
■ □ □ □			%0 ila %25
▧ □ □ □			Bataryayı şarj edin.
■ ■ □ □			Batarya arızalanmış olabilir.
□ □ ■ ■			

**NOT:** Kullanım koşullarına ve ortam sıcaklığına bağlı olarak, gösterilen değer gerçek kapasiteden biraz farklılık gösterebilir.

**NOT:** İlk (en soldaki) gösterge lambası, batarya koruma sistemi çalıştığından yanıp söner.

## Alet/batarya koruma sistemi

Bu alet bir alet/batarya koruma sistemi ile donatılmıştır. Bu sistem motora giden gücü otomatik olarak keserek uzun alet ve batarya ömrü sağlar. Alet veya batarya için aşağıdaki durumlardan biri söz konusu olduğunda aletin işleyişi otomatik olarak durur:

## Aşırı yük koruması

Alet/batarya, anormal derecede yüksek akım çekmesine neden olacak şekilde çalıştırılırsa alet otomatik olarak durur. Bu durumda aleti kapatın ve aletin aşırı yüklenmesine neden olan uygulamayı kesin. Ardından aleti açarak yeniden çalıştırın.

## Aşırı ısınma koruması

Alet/batarya aşırı ısındığında, alet otomatik olarak durur. Bu durumda, yeniden çalıştırmadan önce aletin/ bataryanın soğumasını bekleyin.

## Aşırı deşarj koruması

Batarya kapasitesi yeterli olmadığında, alet otomatik olarak durur. Bu durumda, bataryayı aletten çıkarın ve bataryayı tekrar şarj edin.

## Ana güç düğmesi

**⚠ UYARI:** Kullanımda değilken ana güç düğmesini mutlaka kapatın.

Aleti beklemeye almak için ana güç lambası yanana kadar ana güç düğmesine basın. Kapatmak için ana güç düğmesine tekrar basın.

► **Şek.6:** 1. Ana güç düğmesi

**NOT:** Bu alet otomatik güç kapama fonksiyonu kullanır. Yanlışlıkla çalışmaları engellemek için ana güç düğmesi açıldıktan sonra belirli bir süre boyunca anahtar tetik çekilmezse ana güç düğmesi otomatik olarak kapanır.

## Anahtar işlemi

**⚠ DİKKAT:** Batarya kartuşunu alete takmadan önce anahtar tetiğin doğru çalıştığından ve bırakıldığında "OFF" (kapalı) konumuna döndüğünden emin olun.

► **Şek.7:** 1. Anahtar tetik

Aleti çalıştırmak için, ana güç anahtarını açık durumda anahtar tetiği çekin. Aletin çalışma hızı anahtar tetik üstüne daha fazla baskı yapılarak artırılır. Durdurmak için anahtar tetiği serbest bırakın.

**NOT:** Yaklaşık 6 dakika boyunca anahtar tetiği çekmeye devam ederseniz alet otomatik olarak durur.

## Ön lambanın yakılması

**⚠ DİKKAT:** Işığa bakmayın ya da ışık kaynağını doğrudan görmeyin.

► **Şek.8:** 1. Lamba

Lambayı yakmak için anahtar tetiği çekin. Anahtar tetik çekilirken lamba yanmaya devam eder. Anahtar tetik serbest bırakıldıktan yaklaşık 10 saniye sonra lamba söner.

**NOT:** Alet aşırı ısındığında otomatik olarak durur ve lamba yanıp sönmeye başlar. Bu durumda anahtar tetiği serbest bırakın. Lamba 5 dakika içinde söner.

**NOT:** Lamba lensini temizlemek için kuru bir bez kullanın. Aydınlatmayı azaltacağı için lamba lensinin çizilmemesine dikkat edin.

## Ters dönüş mandalı işlemi

**⚠️ DİKKAT:** Kullanmadan önce dönüş yönünü daima kontrol edin.

**⚠️ DİKKAT:** Ters döndürme anahtarını sadece alet tamamen durduktan sonra kullanın. Dönüş yönünün alet durmadan önce değiştirilmesi alete zarar verebilir.

**⚠️ DİKKAT:** Aleti kullanmadığınız zaman, ters döndürme anahtarını daima nötr konumuna ayarlayın.

Bu aletin dönüş yönünü değiştirmek için bir ters döndürme anahtarı vardır. Ters döndürme anahtarına saat yönünde dönüş için A tarafından tersi yönde dönüş içinse B tarafından bastırın.

Ters dönüş mandalı nötr konumundayken anahtar kolu çekilemez.

► **Şek.9:** 1. Ters dönüş mandalı anahtarı




## Otomatik hız değiştirme işlevi

Bu alette “yüksek hız modu” ve “yüksek tork modu” bulunur. İş yüküne bağlı olarak alet çalışma modunu otomatik olarak değiştirir. İş yükü düşükken alet, daha hızlı çalışma için “yüksek hız modunda” çalışır. İş yükü yüksekken alet, güçlü çalışma için “yüksek tork modunda” çalışır.

► **Şek.10:** 1. Mod göstergesi

Alet “yüksek tork modunda” çalışırken mod göstergesi yeşil yanar.

Alet aşırı yükü çalıştırılırsa mod göstergesi yeşil yanıp söner. Aletin üzerindeki yük azaltılırsa mod göstergesi yanıp sönmeyi keser ve daha sonra yanar veya söner.

Mod göstergesi durumu			Çalışma modu
<input checked="" type="radio"/> Kapalı	<input type="radio"/> Açık	<input type="radio"/> Yanıp söniyor	
			Yüksek hız modu
			Yüksek tork modu
			Aşırı yük uyarısı

## Hız değiştirme

**ÖNEMLİ NOT:** Hız değiştirme düğmesini yalnızca alet tam durduktan sonra kullanın. Alet durmadan aletin hızının değiştirilmesi alete hasar verebilir.

**ÖNEMLİ NOT:** Hız değiştirme düğmesini her zaman dikkatlice doğru konuma ayarlayın. Hız değiştirme düğmesi konum 1 ile konum 2 arasında bir pozisyonda iken aleti kullanırsanız alet zarar görebilir.

Hız değiştirme düğmesi ile iki hız aralığı önceden seçilebilir. Hızı değiştirmek için kilitleme düğmesine basın ve hız değiştirme düğmesini, gösterge düşük hız için konum 1 veya yüksek hız için konum 2'yi gösterecek şekilde çevirin.

► **Şek.11:** 1. Kilitleme düğmesi 2. Gösterge 3. Hız değiştirme düğmesi

## Tork sınırlayıcı

Tork sınırlayıcı, düşük hız ayarında (konum 1) belirli bir tork düzeyine ulaştığında devreye girer. Motor çıkış milinden ayrılır. Bu durumda matkap ucu dönmeyi keser.

## Askı deliği

**⚠️ UYARI:** Askı deliğini aleti asmak veya aleti çalışmaya karşı korumak dışında başka hiçbir amaçla kullanmayın. Aksi takdirde yaralanma meydana gelebilir.

► **Şek.12:** 1. Askı deliği

## MONTAJ

### Batarya kartuşunun takılması ve çıkarılması

**⚠️ DİKKAT:** Batarya kartuşunu takmadan ya da çıkarmadan önce aleti daima kapatın.

**⚠️ DİKKAT:** Batarya kartuşunu takarken veya çıkarırken aleti ve batarya kartuşunu sıkıca tutun. Aletin ve batarya kartuşunun sıkıca tutulmaması bunların düşürülmesine sebep olabilir ve alet ve batarya kartuşunun zarar görmesine ya da ciddi yaralanmasına yol açabilir.

► **Şek.13:** 1. Kırmızı gösterge 2. Düğme 3. Batarya kartuşu

Batarya kartuşunu çıkarmak için, kartuşun ön tarafındaki düğmeyi kaydırarak kartuşu aletten çıkarın.

Batarya kartuşunu takmak için, batarya kartuşu üzerindeki dili yuvanın oluşu ile hizalayın ve kartuşu yerine oturtun. Kartuşu, küçük bir tık sesi ile yerine sabitlenene dek sonuna kadar itirin. Şekilde gösterildiği gibi kırmızı göstergelyi görebiliyorsanız tam olarak kilitlememiş demektir.

**⚠️ DİKKAT:** Batarya kartuşunu daima kırmızı gösterge görünmeyecek şekilde tam olarak takın. Yerine tam oturmazsa, aletten yanlışlıkla düşebilir, sizin ya da çevrenizdeki kişilerin yaralanmasına neden olabilir.

**⚠️ DİKKAT:** Batarya kartuşunu zorlayarak takmayın. Kartuş kolay bir şekilde kaymıyorsa doğru yerleştirilmemiş demektir.

### Burgu ucunun takılması

**⚠️ DİKKAT:** Alet üzerinde herhangi bir iş yapmadan önce aletin kapalı ve batarya kartuşunun ayrılmış olduğundan daima emin olun.

**⚠️ DİKKAT:** Uç adaptörünü mandrene takarken uç adaptörünün sonuna kadar sokulduğundan emin olun.

**⚠️ DİKKAT:** Burgu ucunu uç adaptörüne takarken burgu piminin kilitletiğinden emin olun ve burgu pimini her türlü hasara karşı kontrol edin.

**⚠️ DİKKAT:** Aleti taşıırken burgu ucunu aletten çıkarın.

## Uç adaptörünün takılması ve çıkarılması

Burgu ucunu takmak için uç adaptörünü önceden takın. Uç adaptörünü takmak için uç adaptörünü mandrene sonuna kadar sokun. Bileziği elle çevirerek mandreni sıkın. Mandren anahtarını mandren deliğine yerleştirerek saat yönünde sıkın. Tüm üç mandren deliğini eşit olarak sıktığınızdan emin olun.

Uç adaptörünü çıkarmak için mandren anahtarını sadece tek bir delikte saatin aksi yönünde çevirin, daha sonra mandreni elle gevşetin.

► **Şek.14:** 1. Mandren anahtarı 2. Mandren 3. Bilezik

Kullandıktan sonra mandren anahtarını şekilde gösterildiği gibi aletin üzerindeki saklama boşluğuna geri koyun.

► **Şek.15**

## Burgu ucunun uç adaptörüne takılması

**NOT:** Burgu ucunun ve burgu piminin şekli ve mekanizması burgu ucunuza bağlı olarak değişebilir.

Uç adaptörünün üzerindeki deliği burgu ucunun üzerindeki delikle hizalayın.

Burgu ucunu uç adaptörüne takın.

► **Şek.16:** 1. Burgu ucu 2. Uç adaptörü

Burgu ucunu burgu pimi ve emniyet kilidi ile sabitleyin.

► **Şek.17:** 1. Burgu pimi 2. Emniyet kilidi

## KULLANIM

**⚠DİKKAT:** Bu alet, yüksek tork üreten güçlü bir alettir. Aletin sıkıca tutulması ve uygun şekilde desteklenmesi önemlidir.

**⚠DİKKAT:** Kullanmadan önce deliklerde veya hareketli parçalarda sıkışmış yabancı madde (kum, toprak, vb.) olmadığını kontrol edin.

## Çalışma duruşu

Uygun çalışma pozisyonunun muhafaza edilmesi geri tepkiyi kontrol etmenin en önemli ve etkili prosedürlerinden biridir.

Aşağıdaki hususları uygulayarak uygun pozisyonu koruyun.

- Aleti, tepki alıcının çubuğu her zaman belinizin sol tarafına temas edecek şekilde konumlandırın.
- Tutamağı ve yan tutamağı her iki elinizle kavrayın. Kavrama alanlarını baş parmaklarınızla işaret parmaklarınızın arasında kavranmış biçimde tutarak parmaklarınızı kavrama alanlarının etrafına sarın.
- Delme işlemi sırasında bacaklarınızı gerektiği kadar bükerek sırtınızı mümkün olduğunca dik tutun.
- Aletin tork tepki kuvvetine karşı dikkatli olun. Her zaman tork tepki kuvvetine dayanabileceğiniz çalışma konumunu koruyun.

► **Şek.18:** 1. Tutamak 2. Yan tutamak 3. Tepki alıcının çubuğu

**⚠UYARI:** Hatallı konumdan kaçının. Aletten çok uzakta durmayın. Geri tepme durumunda uygun reaksiyon ve kontrol elde edilemeyecebilir.

► **Şek.19**

## Delme işlemi

**⚠DİKKAT:** Aleti kullanırken aleti sıkıca tutun.

**⚠DİKKAT:** Mola verildiğinde olduğu gibi aleti bırakırken aleti toprağa saplanmış olarak bırakmayın veya duvara dayamayın. Aleti dengeli bir durumda depolayın.

**ÖNEMLİ NOT:** Dönüş hızı aşırı derecede yavaşlarsa, alete zarar vermemek için yükü azaltın veya aleti durdurun.

**ÖNEMLİ NOT:** Alete aşırı baskı yapılması delme işlemi hızlandırmayacaktır. Aslında bu aşırı baskı sadece burgu ucunun yıpranmasına, alet performansının düşmesine ve aletin kullanım ömrünün kısalmasına hizmet edecektir.

**ÖNEMLİ NOT:** Burgu ucunun sıkışmasına veya kırılmasına neden olabilecek saklı çiviler veya başka nesnelere içerdiğinizden şüphelendiğiniz malzemeyi delmekten kaçınınız.

**ÖNEMLİ NOT:** Alet, batarya kartuşu bitene kadar sürekli olarak kullanılırsa, tam şarjlı bir batarya ile devam etmeden önce aleti 15 dakika dinlendirin.

- Delik çapına ve toprağın durumuna göre hızı (yüksek/düşük) uygun bir şekilde seçin.
- Derin bir delik açarken veya killi toprağı delerken tek seferde delmeye çalışmayın. Delikteki toprağın boşaltılabilmesi için aleti yukarı kaldırıp aşağı indirerek deliği açın.
- Yüksek yükte çalışma nedeniyle aletin dönüş hızı yavaşlarsa aleti bir miktar kaldırın ve aleti yukarı aşağı hareket ettirerek küçük adımlarla delik açın.

## Burgu ucunu tersine çevirme

Sıkışan bir burgu ucu, geri çıkarmak için ters dönüş mandalı bir dönüş ayarlanarak çıkarılabilir.

Ters dönüş yaparken saat yönünde tepkiyi engellemek için aleti vücudunuzla destekleyin.

► **Şek.20**

**⚠DİKKAT:** Makineyi sıkıca tutun. Alet aniden geri çıkabilir ve yaralanmaya neden olabilir.

## BAKIM

**⚠DİKKAT:** Muayene ya da bakım yapmadan önce aletin kapalı ve batarya kartuşunun çıkartılmış olduğundan daima emin olun.

**ÖNEMLİ NOT:** Benzin, tiner, alkol ve benzeri maddeleri kesinlikle kullanmayın. Renk değişimi, deformasyon veya çatlaklar oluşabilir.

Aleti EMNİYETLİ ve ÇALIŞMAYA HAZIR durumda tutmak için onarımlar, başka her türlü bakım ve ayarlamalar daima Makita yedek parçaları kullanılarak Makita yetkili servis merkezleri veya Fabrikanın Servis Merkezleri tarafından yapılmalıdır.

# İSTEĞE BAĞLI AKSESUARLAR

**⚠ DİKKAT:** Bu aksesuarlar ve ek parçalar bu el kitabında belirtilen Makita aletiniz ile kullanılmak için tavsiye edilmektedir. Herhangi başka bir aksesuar ya da ek parça kullanılması insanlar için bir yaralanma riski getirebilir. Aksesuarları ya da ek parçaları yalnızca belirtilmiş olan kullanım amaçlarına uygun olarak kullanın.

Bu aksesuarlarla ilgili daha fazla bilgiye ihtiyaç duyarsanız bulunduğunuz yerdeki yetkili Makita servisine başvurun.

- Burgu uçları
- Uç adaptörü
- Orijinal Makita batarya ve şarj aleti

**NOT:** Listedeki parçaların bazıları alet paketi içerisinde standart aksesuar olarak dahil edilmiş olabilir. Bunlar ülkeden ülkeye farklılık gösterebilir.

Makita Europe N.V. Jan-Baptist Vinkstraat 2,  
3070 Kortenberg, Belgium

Makita Corporation 3-11-8, Sumiyoshi-cho,  
Anjo, Aichi 446-8502 Japan

[www.makita.com](http://www.makita.com)

885819C993  
EN, FR, DE, IT, NL,  
ES, PT, DA, EL, TR  
20220408