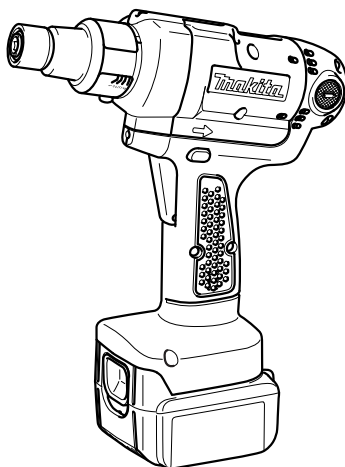
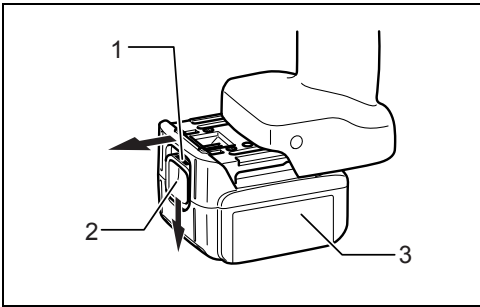




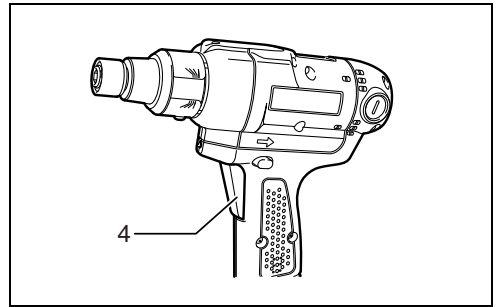
GB	Cordless Screwdriver	Instruction manual
F	Visseuse sans Fil	Manuel d'instructions
D	Akku-Schrauber	Betriebsanleitung
I	Avvitatore senza fili	Istruzioni per l'uso
NL	Accuschroefmachine	Gebruiksaanwijzing
E	Atornillador Inalámbrico	Manual de instrucciones
P	Parafusadeira a Bateria	Manual de instruções
DK	Akku-skruemaskine	Brugsanvisning
GR	Κατσαβίδι μπαταρίας	Οδηγίες χρήσης

BFT043F
BFT083F
BFT125F

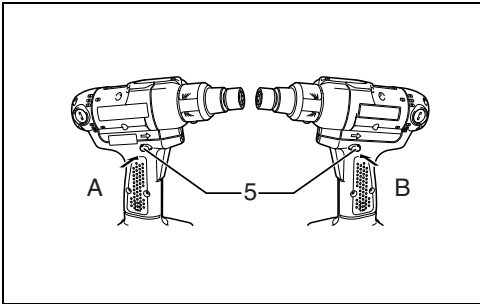




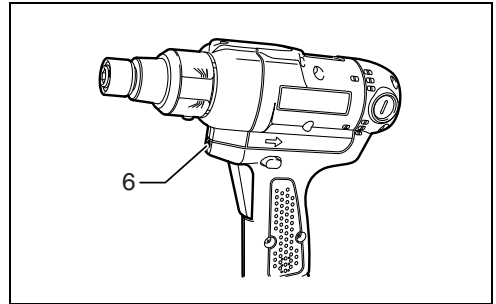
1



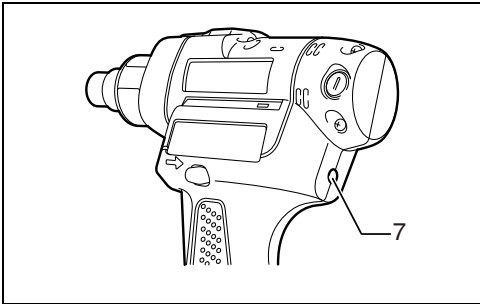
2



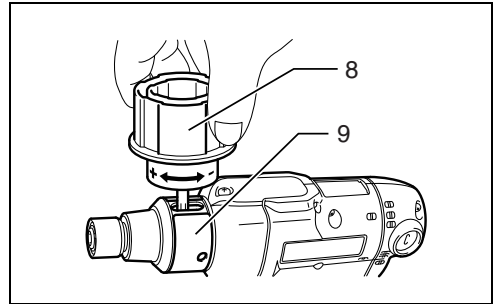
3



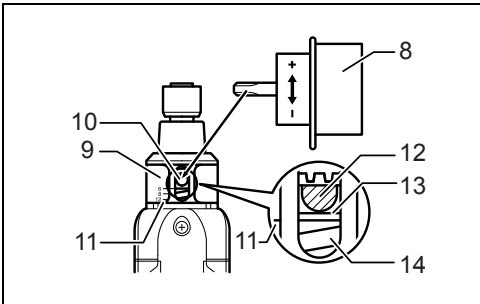
4



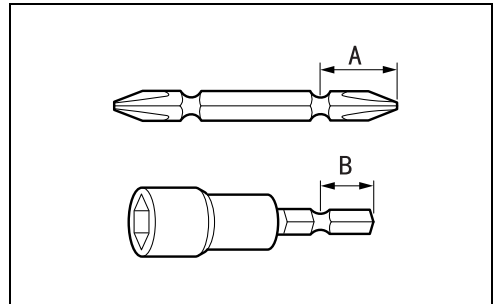
5



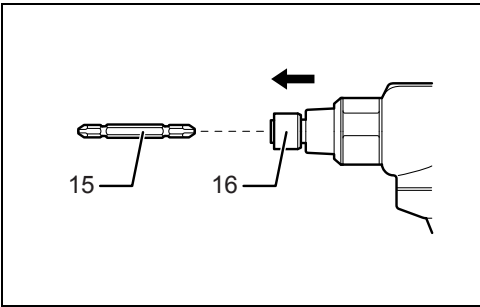
6



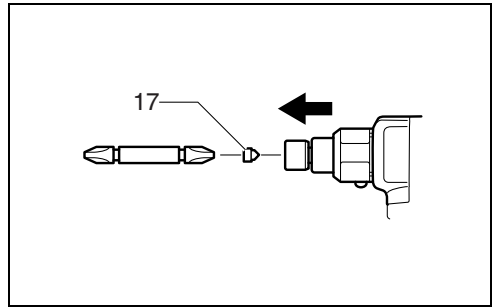
7



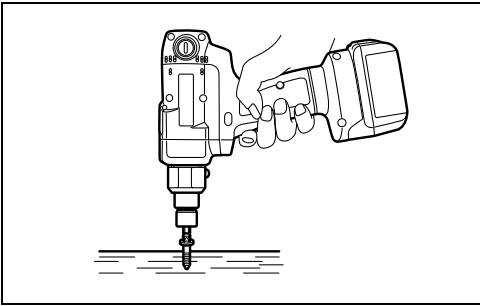
8



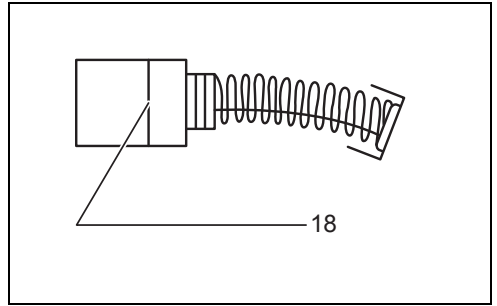
9



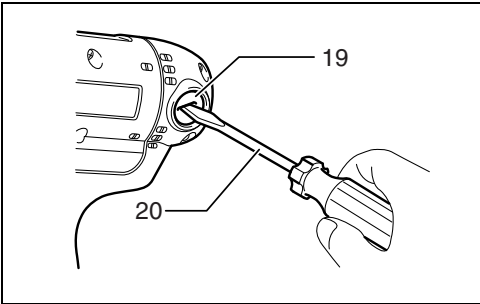
10



11



12



13

ENGLISH (Original instructions)

Explanation of general view

- | | | |
|---------------------------|--------------------------|----------------------|
| 1. Red part | 8. Adjust grip | 15. Bit |
| 2. Button | 9. Ring | 16. Sleeve |
| 3. Battery cartridge | 10. Adjust ring | 17. Bit-piece |
| 4. Switch trigger | 11. Scale | 18. Limit mark |
| 5. Reversing switch lever | 12. Hole for adjust grip | 19. Brush holder cap |
| 6. Front lamp | 13. Yellow line | 20. Screwdriver |
| 7. LED indicator | 14. Compression spring | |

SPECIFICATIONS

Model		BFT043F	BFT083F	BFT125F
Fastening torque	Hard joint	1 - 4 N•m	3 - 8 N•m	5 - 12 N•m
	Soft joint	1 - 4 N•m	3 - 8 N•m	5 - 12 N•m
No load speed (min ⁻¹)		80	80	150
Dimensions (L x W x H)		200 mm x 72 mm x 255 mm		
Net weight		1.5 kg		
Rated voltage		D.C. 14.4 V		

- Due to our continuing programme of research and development, the specifications herein are subject to change without notice.
- Specifications and battery cartridge may differ from country to country.
- Weight, with battery cartridge, according to EPTA-Procedure 01/2003

Intended use

ENE033-1

The tool is intended for screw driving in wood, metal and plastic.

General Power Tool Safety Warnings

GEA010-1

⚠ WARNING Read all safety warnings and all instructions. Failure to follow the warnings and instructions may result in electric shock, fire and/or serious injury.

Save all warnings and instructions for future reference.

CORDLESS SCREWDRIVER SAFETY WARNINGS

GEB050-2

1. **Hold power tool by insulated gripping surfaces, when performing an operation where the fastener may contact hidden wiring.** Fasteners contacting a "live" wire may make exposed metal parts of the power tool "live" and could give the operator an electric shock.
2. **Always be sure you have a firm footing. Be sure no one is below when using the tool in high locations.**
3. **Hold the tool firmly.**
4. **Keep hands away from rotating parts.**
5. **Do not touch the bit or the workpiece immediately after operation; they may be extremely hot and could burn your skin.**

SAVE THESE INSTRUCTIONS.

⚠ WARNING:

DO NOT let comfort or familiarity with product (gained from repeated use) replace strict adherence to safety rules for the subject product. MISUSE or failure to follow the safety rules stated in this instruction manual may cause serious personal injury.

IMPORTANT SAFETY INSTRUCTIONS

ENC007-6

FOR BATTERY CARTRIDGE

1. **Before using battery cartridge, read all instructions and cautionary markings on (1) battery charger, (2) battery, and (3) product using battery.**
2. **Do not disassemble battery cartridge.**
3. **If operating time has become excessively shorter, stop operating immediately. It may result in a risk of overheating, possible burns and even an explosion.**
4. **If electrolyte gets into your eyes, rinse them out with clear water and seek medical attention right away. It may result in loss of your eyesight.**
5. **Do not short the battery cartridge:**
 - (1) **Do not touch the terminals with any conductive material.**
 - (2) **Avoid storing battery cartridge in a container with other metal objects such as nails, coins, etc.**
 - (3) **Do not expose battery cartridge to water or rain.**

A battery short can cause a large current flow, overheating, possible burns and even a breakdown.

6. **Do not store the tool and battery cartridge in locations where the temperature may reach or exceed 50°C (122°F).**
7. **Do not incinerate the battery cartridge even if it is severely damaged or is completely worn out. The battery cartridge can explode in a fire.**
8. **Be careful not to drop or strike battery.**
9. **Do not use a damaged battery.**

SAVE THESE INSTRUCTIONS.

Tips for maintaining maximum battery life

1. **Charge the battery cartridge before completely discharged.**
Always stop tool operation and charge the battery cartridge when you notice less tool power.
2. **Never recharge a fully charged battery cartridge. Overcharging shortens the battery service life.**
3. **Charge the battery cartridge with room temperature at 10°C - 40°C (50°F - 104°F). Let a hot battery cartridge cool down before charging it.**

FUNCTIONAL DESCRIPTION

⚠ CAUTION:

- Always be sure that the tool is switched off and the battery cartridge is removed before adjusting or checking function on the tool.

Installing or removing battery cartridge (Fig. 1)

- Always switch off the tool before insertion or removal of the battery cartridge.
- To remove the battery cartridge, withdraw it from the tool while sliding the button on the front of the cartridge.
- To insert the battery cartridge, align the tongue on the battery cartridge with the groove in the housing and slip it into place. Always insert it all the way until it locks in place with a little click. If you can see the red part on the upper side of the button, it is not locked completely. Insert it fully until the red part cannot be seen. If not, it may accidentally fall out of the tool, causing injury to you or someone around you.

- Do not use force when inserting the battery cartridge. If the cartridge does not slide in easily, it is not being inserted correctly.

Switch action (Fig. 2)

⚠ CAUTION:

- Before inserting the battery cartridge into the tool, always check to see that the switch trigger actuates properly and returns to the "OFF" position when released.

To start the tool, simply pull the switch trigger. Release the switch trigger to stop.

Reversing switch action (Fig. 3)

⚠ CAUTION:

- Always check the direction of rotation before operation.
- Use the reversing switch only after the tool comes to a complete stop. Changing the direction of rotation before the tool stops may damage the tool.
- When not operating the tool, always set the reversing switch lever to the neutral position.

This tool has a reversing switch to change the direction of rotation. Depress the reversing switch lever from the A side for clockwise rotation or from the B side for counterclockwise rotation.

When the reversing switch lever is in the neutral position, the switch trigger cannot be pulled.

Lighting up the lamps (Fig. 4)

⚠ CAUTION:

- Do not look in the light or see the source of light directly.

Pull the switch trigger to light up the lamp. The lamp keeps on lighting while the switch trigger is being pulled. The light automatically goes out 10 seconds after the switch trigger is released.

NOTE:

- Use a dry cloth to wipe the dirt off the lens of lamp. Be careful not to scratch the lens of lamp, or it may lower the illumination.

LED indicator (Fig. 5)

⚠ CAUTION:

- The lamp on the tool shows the following functions.

Function	Status	Status of the LED indicator/beeper		Action to be taken
		LED indicator	Beeper	
Auto-stop fastening	This function works when the tool has reached the preset fastening torque and normal tightening has been completed. This helps overtightening to be avoided.	Lights up in green for approximately one second.	—	—
Delayed re-start	For approximately one second after auto-stop fastening, the tool does not start even if the switch trigger is pulled.			
Warning against insufficient fastening	Insufficient fastening has been performed when the switch trigger has released before reaching the preset fastening torque.	Lights up in red.	A long beep	Retighten the screw

Function	Status	Status of the LED indicator/beeper		Action to be taken
		LED indicator	Beeper	
Warning for battery cartridge capacity	This indicates the appropriate time to replace the battery cartridge when the battery power becomes low.	Flickers in red slowly.	A series of long beeps	Replace the battery with fully charged one
Checking the remaining battery capacity, Autostop	This function works when the battery power is almost used up. At this time, tool stops immediately.	Lights up in red.	A long beep	Replace the battery with fully charged one
Check the LED indicator, light and beeper operation	This function works to check the proper operation of the LED indicator, light and beeper when a battery cartridge has been inserted into the tool.	Lights up first in green, next red. (And then the light comes on.)	A series of very short beeps	—
Anti-reset of controller	This function works when an abnormal drop of the battery voltage occurs for some reason, and the tool stops.	Flickers in red and green alternatively.	A series of short beeps	Replace the battery with fully charged one
Overheat	This function works when the temperature of the controller goes up very highly, and the tool stops.	Flickers in red quickly.	A series of short beeps	Remove the battery cartridge immediately and cool the tool down.
Operation error of the switch trigger	This function works to avoid the tool's immediate start upon insertion of battery cartridge into the tool with the switch trigger being pulled.	Flickers in red and green alternatively.	A series of short beeps	Release the switch trigger.

Adjusting the fastening torque (Fig. 6)

When you wish to drive machine screws, hex bolts, etc. with the predetermined torque, adjust the fastening torque as follows.

1. First remove the battery cartridge from the tool.
2. Loosen and remove the screw that secures the ring.
3. Rotate the ring in the front of the tool by hand so that a hole can be seen below the ring.
4. Place the battery cartridge in place and pull the switch trigger. Release it so that the adjust ring rotates and the hole becomes visible as illustrated. And then remove the battery cartridge. (Fig. 7)
5. Use an optional adjust grip to adjust the fastening torque. Insert the pin of the adjust grip into the hole in the front of the tool. And then, turn the adjust grip clockwise to set a greater fastening torque, and counterclockwise to set a smaller fastening torque.
6. Align the yellow line with your desired number on the fastening torque scale.
7. Insert the battery cartridge and be sure that a fastening torque has been set up by using a fastening torque tester.
8. Rotate the ring in the front of the tool and then tighten the screw to secure the ring.

NOTE:

- Numbers on the fastening torque scale are a guideline to set up your desired fastening torque.

ASSEMBLY

⚠ CAUTION:

- Always be sure that the tool is switched off and the battery cartridge is removed before carrying out any work on the tool.

Installing or removing driver bit or socket bit (Fig. 8)

Use only bits that have inserting portions shown in the figure.

For tool with shallow bit hole

A=12 mm B=9 mm	Use only these type of bit. Follow the procedure (1). (Note) Bit-piece is not necessary.
-------------------	---

For tool with deep bit hole

A=17 mm B=14 mm	To install these types of bits, follow the procedure (1).
A=12 mm B=9 mm	To install these types of bits, follow the procedure (2). (Note) Bit-piece is necessary for installing the bit.

1. To install the bit, pull the sleeve in the direction of the arrow and insert the bit into the sleeve as far as it will go. Then release the sleeve to secure the bit. (Fig. 9)
2. To install the bit, pull the sleeve in the direction of the arrow and insert the bit-piece and bit into the sleeve as far as it will go. The bit-piece should be inserted into the sleeve with its pointed end facing in. Then release the sleeve to secure the bit. (Fig. 10)

To remove the bit, pull the sleeve in the direction of the arrow and pull the bit out firmly.

NOTE:

- If the bit is not inserted deep enough into the sleeve, the sleeve will not return to its original position and the bit will not be secured. In this case, try re-inserting the bit according to the instructions above.

OPERATION

Screwdriving operation (Fig. 11)

Place the point of the driver bit in the screw head and apply pressure to the tool. Then switch the tool on. When the clutch cuts in, the motor will stop automatically. Then release the switch trigger.

NOTE:

- Make sure that the driver bit is inserted straight in the screw head, or the screw and/or bit may be damaged.

Limits of fastening capacity

Use the tool within the range of the revolution angle up to 360°. If you use the tool beyond the upper limit of this range, the clutch does not work. And the tool cannot deliver enough fastening torque.

NOTE:

- The revolution angle means the angle which a screw/bolt revolves when the tool attains to 100% from 50% of desired torque.
- Use of a low temperature conditioned battery cartridge may sometimes give warning for battery cartridge capacity by warning lamp and beeper which makes the tool stop immediately. In this case, the fastening capacity may be inferior to the specification on this manual even if a charged battery cartridge is used.

MAINTENANCE

⚠ CAUTION:

- Always be sure that the tool is switched off and the battery cartridge is removed before attempting to perform inspection or maintenance.
- Never use gasoline, benzene, thinner, alcohol or the like. Discoloration, deformation or cracks may result.

Replacing carbon brushes (Fig. 12)

Remove and check the carbon brushes regularly. Replace when they wear down to the limit mark. Keep the carbon brushes clean and free to slip in the holders. Both carbon brushes should be replaced at the same time. Use only identical carbon brushes.

Use a screwdriver to remove the brush holder caps. Take out the worn carbon brushes, insert the new ones and secure the brush holder caps. (Fig. 13)

To maintain product SAFETY and RELIABILITY, repairs, any other maintenance or adjustment should be performed by Makita Authorized Service Centers, always using Makita replacement parts.

ACCESSORIES

⚠ CAUTION:

- These accessories or attachments are recommended for use with your Makita tool specified in this manual. The use of any other accessories or attachments might present a risk of injury to persons. Only use accessory or attachment for its stated purpose.

If you need any assistance for more details regarding these accessories, ask your local Makita Service Center.

- Various types of Makita genuine batteries and chargers
- Adjust grip
- Protector

- Grip Base Set
- Grip 37
- Anti kickback head

Noise

ENG905-1

The typical A-weighted noise level determined according to EN60745:

Sound pressure level (L_{pA}): 70 dB (A) or less
Uncertainty (K): 3 dB (A)

The noise level under working may exceed 80 dB (A)

Wear ear protection.

Vibration

ENG900-1

The vibration total value (tri-axial vector sum) determined according to EN60745:

Work mode: drilling into metal
Vibration emission (a_{hD}): 2.5 m/s² or less
Uncertainty (K): 1.5 m/s²

ENG901-1

- The declared vibration emission value has been measured in accordance with the standard test method and may be used for comparing one tool with another.
- The declared vibration emission value may also be used in a preliminary assessment of exposure.

⚠ WARNING:

- The vibration emission during actual use of the power tool can differ from the declared emission value depending on the ways in which the tool is used.
- Be sure to identify safety measures to protect the operator that are based on an estimation of exposure in the actual conditions of use (taking account of all parts of the operating cycle such as the times when the tool is switched off and when it is running idle in addition to the trigger time).

For European countries only

ENH101-14

EC Declaration of Conformity

We Makita Corporation as the responsible manufacturer declare that the following Makita machine(s):

Designation of Machine:

Cordless Screwdriver

Model No./ Type: BFT043F, BFT083F, BFT125F

are of series production and

Conforms to the following European Directives:
2006/42/EC

And are manufactured in accordance with the following standards or standardised documents:

EN60745

The technical documentation is kept by our authorised representative in Europe who is:

Makita International Europe Ltd.,
Michigan, Drive, Tongwell,
Milton Keynes, MK15 8JD, England

3. 2. 2010



Tomoyasu Kato
Director

Makita Corporation
3-11-8, Sumiyoshi-cho,
Anjo, Aichi, JAPAN

FRANÇAIS (Instructions d'origine)

Descriptif

- | | | |
|--------------------------|--|------------------------------|
| 1. Partie rouge | 8. Poignée de réglage | 15. Embout |
| 2. Bouton | 9. Bague | 16. Manchon |
| 3. Batterie | 10. Bague de réglage | 17. Partie de l'embout |
| 4. Gâchette | 11. Secteur | 18. Repère d'usure |
| 5. Levier de l'inverseur | 12. Orifice pour la poignée de réglage | 19. Bouchon de porte-charbon |
| 6. Lampe avant | 13. Repère jaune | 20. Tournevis |
| 7. Voyant DEL | 14. Ressort de compression | |

SPÉCIFICATIONS

Modèle		BFT043F	BFT083F	BFT125F
Couple de serrage	Joint dur	1 - 4 N•m	3 - 8 N•m	5 - 12 N•m
	Joint souple	1 - 4 N•m	3 - 8 N•m	5 - 12 N•m
Vitesse à vide (min ⁻¹)		80	80	150
Dimensions (L x P x H)		200 mm x 72 mm x 255 mm		
Poids net		1,5 kg		
Tension nominale		14,4 V C.C.		

- Étant donné l'évolution constante de notre programme de recherche et de développement, les spécifications contenues dans ce manuel sont sujettes à des modifications sans préavis.
- Les spécifications et la batterie peuvent varier d'un pays à l'autre.
- Poids, batterie incluse, selon la procédure EPTA 01/2003

Utilisations

ENE033-1

Cet outil est conçu pour le vissage dans le bois, le métal et le plastique.

Consignes de sécurité générales des outils électriques

GEA010-1

⚠ AVERTISSEMENT Veuillez lire toutes les consignes de sécurité et les instructions. Il y a un risque de choc électrique, d'incendie et/ou de blessure grave si les consignes et les instructions ne sont pas toutes respectées.

Conservez toutes les consignes et instructions pour référence ultérieure.

AVERTISSEMENTS DE SÉCURITÉ CONCERNANT LA VISSEUSE SANS FIL

GEB050-2

1. **Tenez l'outil électrique par ses surfaces de poigne isolées lorsque vous effectuez une opération au cours de laquelle la pièce de fixation peut entrer en contact avec des fils cachés.** Il est possible que les pièces de fixation entrant en contact avec un fil sous tension mettent les parties métalliques exposées de l'outil sous tension, risquant ainsi de provoquer un choc électrique chez l'utilisateur.
2. **Veillez à toujours avoir une bonne position d'équilibre.**
Assurez-vous que personne ne se trouve sous l'outil lorsque vous l'utilisez en position élevée.
3. **Tenez l'outil fermement.**

4. **Gardez les mains éloignées des pièces en rotation.**

5. **Ne touchez ni l'embout ni la pièce immédiatement après le fonctionnement ; ils risquent d'être extrêmement chauds et de vous brûler la peau.**

CONSERVEZ CES INSTRUCTIONS.

⚠ AVERTISSEMENT :
NE vous laissez PAS tromper (au fil d'une utilisation répétée) par un sentiment d'aisance et de familiarité avec le produit, en négligeant le respect rigoureux des consignes de sécurité qui accompagnent l'outil. Une UTILISATION INCORRECTE de l'outil ou un non-respect des consignes de sécurité indiquées dans ce manuel d'instructions peuvent causer des blessures graves.

CONSIGNES DE SÉCURITÉ IMPORTANTES

ENC007-6

POUR LA BATTERIE

1. **Avant d'utiliser la batterie, veuillez lire toutes les instructions et tous les avertissements inscrits sur (1) le chargeur, (2) la batterie et (3) l'appareil alimenté par la batterie.**
2. **Ne démontez pas la batterie.**
3. **Cessez immédiatement d'utiliser la scie circulaire si le temps de fonctionnement devient excessivement court. Il y a risque de surchauffe, de brûlures, voire d'explosion.**

4. **Si l'électrolyte pénètre dans vos yeux, rincez-les à l'eau claire et consultez immédiatement un médecin. Il y a risque de perte de la vue.**
5. **Évitez de court-circuiter la batterie :**
 - (1) **Ne touchez les bornes avec aucun matériau conducteur.**
 - (2) **Évitez de ranger la batterie dans un contenant où se trouvent d'autres objets métalliques tels que des clous, pièces de monnaie, etc.**
 - (3) **N'exposez pas la batterie à l'eau ou à la pluie. Un court-circuit de la batterie risque de provoquer un fort courant, une surchauffe, parfois des brûlures et même une panne.**
6. **Ne rangez pas l'outil ou la batterie dans des endroits où la température risque d'atteindre ou de dépasser 50°C (122°F).**
7. **Ne jetez pas la batterie au feu même si elle est sérieusement endommagée ou complètement épuisée. La batterie peut exploser au contact du feu.**
8. **Veillez à ne pas laisser tomber ou heurter la batterie.**
9. **N'utilisez pas de batterie endommagée.**

CONSERVEZ CES INSTRUCTIONS.

Conseils pour assurer la durée de vie optimale de la batterie

1. **Rechargez la batterie avant qu'elle ne soit complètement épuisée. Arrêtez toujours l'outil et rechargez la batterie quand vous constatez que la puissance de l'outil diminue.**
2. **Ne rechargez jamais une batterie complètement chargée. La surcharge réduit la durée de service de la batterie.**
3. **Chargez la batterie alors que la température de la pièce se trouve entre 10°C et 40°C (50°F et 104°F). Si une batterie est chaude, laissez-la refroidir avant de la charger.**

DESCRIPTION DU FONCTIONNEMENT

⚠ ATTENTION :

- Veillez toujours à ce que l'outil soit éteint et la batterie déposée avant d'effectuer des réglages ou de vérifier le fonctionnement de l'outil.

Installation et retrait de la batterie (Fig. 1)

- Mettez toujours l'outil hors tension avant d'insérer ou de retirer la batterie.
- Pour retirer la batterie, sortez-la de l'outil tout en faisant glisser le bouton à l'avant de la batterie.
- Pour insérer la batterie, alignez sa languette sur la rainure qui se trouve à l'intérieur du carter, puis glissez la batterie pour la mettre en place. Insérez-la toujours bien à fond, jusqu'à ce qu'elle se verrouille en émettant un léger clic. Si vous pouvez voir la partie rouge sur la face supérieure du bouton, la batterie n'est pas

parfaitement verrouillée. Insérez-la à fond, jusqu'à ce que la partie rouge ne soit plus visible. Sinon, elle risque de tomber accidentellement de l'outil, en vous blessant ou en blessant une personne située près de vous.

- N'appliquez pas une force excessive lors de l'insertion de la batterie. Si la batterie ne glisse pas aisément, c'est qu'elle n'est pas insérée correctement.

Interrupteur (Fig. 2)

⚠ ATTENTION :

- Avant d'insérer la batterie dans l'outil, vérifiez toujours que la gâchette fonctionne bien et revient en position d'arrêt lorsqu'elle est relâchée.

Pour mettre l'outil en marche, appuyez simplement sur la gâchette. Pour l'arrêter, relâchez la gâchette.

Marche arrière (Fig. 3)

⚠ ATTENTION :

- Vérifiez toujours le sens de rotation avant de mettre l'outil en marche.
- N'actionnez l'inverseur qu'une fois l'outil complètement arrêté. Si vous changez le sens de rotation de l'outil avant l'arrêt de celui-ci, vous risquez de l'endommager.
- Lorsque vous n'utilisez pas l'outil, placez toujours le levier de l'inverseur en position neutre.

Cet outil possède un inverseur qui permet de changer le sens de rotation. Appuyez sur le levier de l'inverseur depuis le côté A pour une rotation dans le sens des aiguilles d'une montre, ou depuis le côté B pour une rotation en sens inverse.

La pression sur la gâchette n'est pas possible lorsque le levier de l'inverseur se trouve en position neutre.

Allumage des lampes (Fig. 4)

⚠ ATTENTION :

- Ne regardez pas directement la lumière ou la source lumineuse.

Appuyez sur la gâchette pour allumer la lampe. La lampe demeure allumée tant que la pression sur la gâchette est maintenue. La lumière s'éteint d'elle-même 10 secondes après le relâchement de la gâchette.

REMARQUE :

- Utilisez un chiffon sec pour essuyer les saletés qui recouvrent la lentille de la lampe. Prenez garde de ne pas rayer la lentille de la lampe, sinon sa capacité d'éclairage sera affectée.

Voyant DEL (Fig. 5)

⚠ ATTENTION :

- La lampe sur l'outil présente les fonctions suivantes.

Fonction	État	État du voyant DEL/générateur de bips		Mesure à prendre
		Voyant DEL	Générateur de bips	
Serrage avec arrêt automatique	Cette fonction peut être utilisée lorsque l'outil a atteint le couple de serrage prédéfini et que le serrage normal a été réalisé. Cela permet d'éviter un serrage trop important.	S'allume en vert pendant une seconde environ.	—	—
Redémarrage retardé	Pendant environ une seconde après le serrage avec arrêt automatique, l'outil ne démarre pas, même si vous appuyez sur la gâchette.			
Avertissement relatif à un serrage insuffisant	Le serrage est insuffisant lorsque la gâchette a été relâchée avant d'atteindre le couple de serrage prédéfini.	S'allume en rouge.	Un bip long	Resserrez la vis
Avertissement relatif à l'autonomie de la batterie	Cela indique le bon moment pour remplacer la batterie lorsque son alimentation faiblit.	Clignote lentement en rouge.	Une série de bips longs	Remplacez la batterie par une batterie rechargée
Vérification de l'autonomie restante de la batterie, arrêt auto	Cette fonction peut être utilisée lorsque l'autonomie de la batterie est quasiment nulle. À ce stade, l'outil s'arrête immédiatement.	S'allume en rouge.	Un bip long	Remplacez la batterie par une batterie rechargée
Vérifiez le fonctionnement du voyant DEL, de l'éclairage et du générateur de bips	Cette fonction permet de vérifier le fonctionnement du voyant DEL, de l'éclairage et du générateur de bips lorsqu'une batterie est insérée dans l'outil.	S'allume d'abord en vert, puis en rouge. (Ensuite l'éclairage s'allume.)	Une série de bips très courts	—
Anti-réinitialisation du boîtier de commande	Cette fonction peut être utilisée en cas de chute anormale de la tension de la batterie pour une raison quelconque et d'arrêt de l'outil.	Clignote successivement en rouge et en vert.	Une série de bips courts	Remplacez la batterie par une batterie rechargée
Surchauffe	Cette fonction peut être utilisée lorsque la température du boîtier de commande augmente beaucoup et que l'outil s'arrête.	Clignote rapidement en rouge.	Une série de bips courts	Retirez immédiatement la batterie et refroidissez l'outil.
Erreur de fonctionnement de la gâchette	Cette fonction permet d'éviter le démarrage immédiat de l'outil lors de l'insertion de la batterie dans l'outil alors que la gâchette est enfoncée.	Clignote successivement en rouge et en vert.	Une série de bips courts	Relâchez la gâchette.

Réglage du couple de serrage (Fig. 6)

Pour serrer des vis de mécanique, des boulons hexagonaux, etc., selon un couple de serrage préétabli, réglez le couple de serrage de la façon suivante.

- Commencez par retirer la batterie de l'outil.
- Desserrez et retirez la vis de retenue de la bague.
- Faites tourner la bague à l'avant de l'outil à la main de manière à percevoir un trou sous la bague.
- Mettez la batterie en place et appuyez sur la gâchette. Relâchez-la afin de permettre à la bague de réglage de tourner et au trou d'être visible, comme illustré. Ensuite, retirez la batterie. **(Fig. 7)**
- À l'aide d'une poignée de réglage fournie en option, ajustez le couple de serrage. Insérez la broche de la poignée de réglage dans le trou à l'avant de l'outil. Ensuite, tournez la poignée de réglage dans le sens horaire pour définir un couple de réglage plus important et tournez-la dans le sens antihoraire pour définir un couple de serrage plus petit.
- Alignez le repère jaune sur le chiffre souhaité du secteur du couple de serrage.
- Insérez la batterie et vérifiez qu'un couple de serrage a été défini à l'aide d'un testeur de couple de serrage.

- Faites tourner la bague à l'avant de l'outil, puis serrez la vis pour fixer la bague.

REMARQUE :

- Les chiffres figurant sur le secteur du couple de serrage permettent de définir le couple de serrage souhaité.

ASSEMBLAGE

⚠ ATTENTION :

- Assurez-vous toujours que l'outil est hors tension et que la batterie est retirée avant d'effectuer toute intervention sur l'outil.

Pour installer ou retirer l'embout ou l'embout à douille (Fig. 8)

N'utilisez que des embouts qui ont une partie qui s'insère comme illustré sur la figure.

Pour les outils munis d'un orifice pour embout peu profond

A=12 mm B=9 mm	N'utilisez que ces types d'embouts. Suivez la procédure (1). (Remarque) La partie de l'embout n'est pas nécessaire.
-------------------	--

Pour les outils munis d'un orifice pour embout profond

A=17 mm B=14 mm	Pour installer ces types d'embouts, suivez la procédure (1).
A=12 mm B=9 mm	Pour installer ces types d'embouts, suivez la procédure (2). (Remarque) La partie de l'embout est nécessaire pour installer l'embout.

1. Pour installer l'embout, tirez le manchon dans le sens de la flèche et insérez l'embout dans le manchon aussi profondément que possible. Relâchez ensuite le manchon pour sécuriser l'embout. **(Fig. 9)**
2. Pour installer l'embout, tirez le manchon dans le sens de la flèche et insérez l'embout dans le manchon aussi profondément que possible. La partie de l'embout doit être insérée dans le manchon avec son extrémité pointée face à l'entrée. Puis libérez le manchon pour serrer l'embout. **(Fig. 10)**

Pour enlever l'embout, tirez le manchon dans le sens de la flèche et tirez sur l'embout avec fermeté.

REMARQUE :

- Si l'embout n'est pas inséré assez profondément dans le manchon, ce dernier ne retournera pas à sa position d'origine et l'embout ne sera pas sécurisé. Dans ce cas, essayez de réinsérer l'embout selon les instructions précédentes.

FONCTIONNEMENT

Vissage (Fig. 11)

Placez la pointe de l'embout dans la tête de vis et appliquez une pression sur l'outil. Puis mettez sous tension l'outil. Lorsque l'embrayage s'active, le moteur s'arrête automatiquement. Puis relâchez la gâchette.

REMARQUE :

- Assurez-vous que l'embout se trouve inséré bien droit dans la tête de vis, faute de quoi la vis et/ou l'embout risquent d'être endommagés.

Limites de la capacité de serrage

Utilisez l'outil dans la plage de l'angle de révolution jusqu'à 360°. Si vous utilisez l'outil au-delà de la limite supérieure de cette plage, l'embrayage ne fonctionnera pas. L'outil ne pourra alors pas fournir un couple de serrage suffisant.

REMARQUE :

- L'angle de révolution correspond à l'angle sur lequel une vis/un boulon tourne lorsque l'outil atteint 50 % à 100 % du couple souhaité.
- L'utilisation d'une batterie conditionnée à basse température peut parfois permettre à l'opérateur de connaître l'autonomie restante de la batterie grâce à un voyant et un générateur de bips qui entraînent l'arrêt

immédiat de l'outil. Dans ce cas, le couple de serrage peut être inférieur aux spécifications indiquées dans ce manuel, même si vous utilisez une batterie rechargée.

ENTRETIEN

⚠ ATTENTION :

- Assurez-vous toujours que l'outil est hors tension et que la batterie est retirée avant d'y effectuer tout travail d'inspection ou d'entretien.
- N'utilisez jamais d'essence, de benzine, de diluant, d'alcool ou de produit similaire. Ces produits risquent de provoquer des décolorations, des déformations ou des fissures.

Remplacement des charbons (Fig. 12)

Retirez et vérifiez les charbons régulièrement.

Remplacez-les lorsqu'ils atteignent le repère d'usure. Maintenez les charbons propres et en état de glisser aisément dans les porte-charbons. Les deux charbons doivent être remplacés en même temps. N'utilisez que des charbons identiques.

Retirez les bouchons de porte-charbon à l'aide d'un tournevis. Enlevez les charbons usés, insérez-en de nouveaux et revissez solidement les bouchons de porte-charbon. **(Fig. 13)**

Pour assurer la SÉCURITÉ et la FIABILITÉ du produit, toute réparation et tout travail d'entretien ou de réglage doivent être effectués par un Centre de service après-vente agréé Makita, avec des pièces de rechange Makita.

ACCESSOIRES

⚠ ATTENTION :

- Ces accessoires ou pièces complémentaires sont recommandés pour une utilisation avec l'outil Makita spécifié dans ce manuel. L'utilisation de tout autre accessoire ou pièce complémentaire peut comporter un risque de blessure. N'utilisez les accessoires ou pièces qu'aux fins auxquelles ils ont été conçus.

Pour obtenir plus de détails sur ces accessoires, contactez votre Centre de service local Makita.

- Divers types de batteries et chargeurs de marque Makita
- Poignée de réglage
- Protecteur
- Ensemble du socle avec poignée
- Poignée 37
- Tête anti-retour

Bruit

ENG905-1

Les niveaux de bruit pondéré A typiques ont été mesurés selon la norme EN60745 :

Niveau de pression sonore (L_{pA}) : 70 dB (A) ou moins
Incertitude (K) : 3 dB (A)

Le niveau de bruit peut dépasser 80 dB (A) lors de l'utilisation.

Portez des protections auditives.

Vibrations

ENG900-1

La valeur totale de vibration (somme du vecteur triaxial) a été déterminée selon la norme EN60745 :

Mode de fonctionnement : perçage du métal
Émission de vibrations ($a_{h,D}$) : 2,5 m/s² ou moins
Incertitude (K) : 1,5 m/s²

- La valeur de l'émission des vibrations déclarée a été mesurée conformément à la méthode de test standard et peut être utilisée afin de comparer des outils entre eux.
- La valeur de l'émission des vibrations déclarée peut également être utilisée lors d'une évaluation préliminaire de l'exposition.

⚠ AVERTISSEMENT :

- Selon la manière dont l'outil est utilisé, il est possible que l'émission des vibrations pendant l'utilisation réelle de l'outil électrique diffère de la valeur de l'émission déclarée.
- Veuillez à identifier les mesures de sécurité destinées à protéger l'opérateur et établies en fonction de l'estimation de l'exposition dans les conditions réelles d'utilisation (en prenant en compte toutes les étapes du cycle de fonctionnement, telles que les périodes de mise hors tension de l'outil, les périodes de fonctionnement au ralenti et les périodes de mise en route).

Pour les pays d'Europe uniquement ENH101-14

Déclaration de conformité CE

Nous, Makita Corporation, en tant que fabricant responsable, déclarons que les machines Makita suivantes :

Nom de la machine :

Visseuse sans Fil

N° de modèle/Type : BFT043F, BFT083F, BFT125F

sont fabriquées en série et

Sont conformes aux directives européennes suivantes :

2006/42/CE

Et sont produites conformément aux normes ou documents de normalisation suivants :

EN60745

La documentation technique est disponible auprès de notre représentant en Europe qui est :

Makita International Europe Ltd.,

Michigan, Drive, Tongwell,

Milton Keynes, MK15 8JD, Angleterre

3. 2. 2010



Tomoyasu Kato

Directeur

Makita Corporation

3-11-8, Sumiyoshi-cho,

Anjo, Aichi, JAPAN

DEUTSCH (Originalanweisungen)

Erklärung der Gesamtdarstellung

- | | | |
|------------------|----------------------------|------------------------|
| 1. Roter Bereich | 8. Einstellgriff | 15. Bohreinsatz |
| 2. Taste | 9. Ring | 16. Kranz |
| 3. Akkublock | 10. Einstellring | 17. Einsatzteil |
| 4. Schalter | 11. Skala | 18. Verschleißgrenze |
| 5. Umschalthebel | 12. Loch für Einstellgriff | 19. Bürstenhalterkappe |
| 6. Vordere Lampe | 13. Gelbe Linie | 20. Schraubendreher |
| 7. LED-Anzeige | 14. Druckfeder | |

TECHNISCHE DATEN

Modell		BFT043F	BFT083F	BFT125F
Anzugsmoment	Feste Verbindung	1 bis 4 Nm	3 bis 8 Nm	5 bis 12 Nm
	Weiche Verbindung	1 bis 4 Nm	3 bis 8 Nm	5 bis 12 Nm
Leerlaufgeschwindigkeit (min ⁻¹)		80	80	150
Abmessungen (L x B x H)		200 mm x 72 mm x 255 mm		
Nettogewicht		1,5 kg		
Nennspannung		14,4 V Gleichspannung		

- Aufgrund unserer beständigen Forschungen und Weiterentwicklungen sind Änderungen an den hier angegebenen Technischen Daten ohne Vorankündigung vorbehalten.
- Die Technischen Daten und der Akkublock können in den einzelnen Ländern Abweichungen aufweisen.
- Gewicht, mit Akkublock, ermittelt gemäß EPTA-Verfahren 01/2003

Verwendungszweck

ENE033-1

Das Werkzeug ist für das Schrauben in Holz, Metall und Kunststoff vorgesehen.

Allgemeine Sicherheitshinweise für Elektrowerkzeuge

GEA010-1

⚠ WARNUNG Lesen Sie alle Sicherheitshinweise und Anweisungen sorgfältig durch. Wenn die Hinweise und Anweisungen nicht beachtet werden, besteht die Gefahr eines Stromschlags, Brands und/oder das Risiko von ernsthaften Verletzungen.

Bewahren Sie alle Hinweise und Anweisungen zur späteren Referenz gut auf.

SICHERHEITSHINWEISE ZUM AKKU-SCHRAUBER

GEB050-2

1. **Halten Sie das Werkzeug an den isolierten Griffflächen, wenn Sie unter Bedingungen arbeiten, bei denen das Werkzeug versteckte Kabel berühren kann.** Bei Kontakt des Schraubers mit einem stromführenden Kabel wird der Strom an die Metallteile des Elektrowerkzeugs und dadurch an den Bediener weitergeleitet, und der Bediener erleidet einen Stromschlag.
2. **Achten Sie jederzeit auf sicheren und festen Stand.**
Achten Sie bei Verwendung des Werkzeugs an erhöhten Standorten darauf, dass sich keine Personen unter dem Standort aufhalten.
3. **Halten Sie das Werkzeug mit festem Griff.**

4. **Halten Sie Ihre Hände von beweglichen Teilen fern.**

5. **Berühren Sie kurz nach dem Betrieb weder den Einsatz noch das Werkstück.** Diese können extrem heiß sein und zu Verbrennungen führen.

BEWAHREN SIE DIESE ANLEITUNG SORGFÄLTIG AUF.

⚠ WARNUNG:

Lassen Sie sich NIE durch Bequemlichkeit oder (aus fortwährendem Gebrauch gewonnener) Vertrautheit mit dem Werkzeug dazu verleiten, die Sicherheitsregeln für das Werkzeug zu missachten. Bei MISSBRÄUCLICHER Verwendung des Werkzeugs oder Missachtung der in diesem Handbuch enthaltenen Sicherheitshinweise kann es zu schweren Verletzungen kommen.

WICHTIGE SICHERHEITSREGELN

ENC007-6

FÜR AKKUBLOCK

1. **Lesen Sie vor der Verwendung des Akkublocks alle Anweisungen und Sicherheitshinweise für das Akkuladegerät (1), den Akku (2) und das Produkt (3), für das der Akku verwendet wird, sorgfältig durch.**
2. **Der Akkublock darf nicht zerlegt werden.**
3. **Falls die Betriebsdauer erheblich kürzer wird, beenden Sie den Betrieb umgehend. Andernfalls besteht die Gefahr einer Überhitzung sowie das Risiko möglicher Verbrennungen und sogar einer Explosion.**

4. Wenn Elektrolyt in Ihre Augen gerät, waschen Sie diese mit klarem Wasser aus und suchen Sie sofort einen Arzt auf. Andernfalls können Sie Ihre Sehfähigkeit verlieren.
5. Vermeiden Sie einen Kurzschluss des Akkublocks:
 - (1) Die Kontakte dürfen nicht mit leitendem Material in Berührung kommen.
 - (2) Der Akkublock darf nicht in einem Behälter aufbewahrt werden, in dem sich andere metallische Gegenstände wie beispielsweise Nägel, Münzen usw. befinden.
 - (3) Der Akkublock darf weder Feuchtigkeit noch Regen ausgesetzt werden.

Ein Kurzschluss des Akkus kann zu hohem Kriechstrom, Überhitzung, möglichen Verbrennungen und sogar zu einer Zerstörung des Werkzeugs führen.
6. Werkzeug und Akkublock dürfen nicht an Orten aufbewahrt werden, an denen Temperaturen von 50°C oder darüber erreicht werden können.
7. Beschädigte oder verbrauchte Akkus dürfen nicht verbrannt werden. Der Akkublock kann in den Flammen explodieren.
8. Lassen Sie den Akku nicht fallen und vermeiden Sie Schläge gegen den Akku.
9. Verwenden Sie niemals einen beschädigten Akku.

BEWAHREN SIE DIESE ANLEITUNG SORGFÄLTIG AUF.

Tipps für eine maximale Nutzungsdauer von Akkus

1. Laden Sie den Akkublock auf, bevor der Akku vollständig entladen ist. Sobald Sie eine verringerte Leistung des Werkzeugs bemerken, beenden Sie stets den Betrieb des Werkzeugs und laden Sie den Akkublock auf.
2. Ein voll aufgeladener Akkublock darf niemals erneut geladen werden. Durch Überladungen wird die Lebensdauer des Akkus verkürzt.
3. Laden Sie den Akkublock bei einer Zimmertemperatur von 10°C bis 40°C auf. Lassen Sie einen heißen Akkublock vor dem Aufladen abkühlen.

FUNKTIONSBESCHREIBUNG

⚠️ ACHTUNG:

- Schalten Sie das Werkzeug stets aus und entfernen Sie den Akkublock, bevor Sie Einstellungen oder eine Funktionsprüfung des Werkzeugs vornehmen.

Montieren und Demontieren des Akkublocks (Abb. 1)

- Schalten Sie das Werkzeug stets aus, bevor Sie den Akkublock einsetzen oder entfernen.
- Zur Entfernung des Akkublocks müssen Sie diesen aus dem Gerät herausziehen, während Sie die Taste auf der Vorderseite des Blocks schieben.

- Zum Einsetzen des Akkublocks müssen Sie die Zunge des Akkublocks an der Rille im Gehäuse ausrichten und in die gewünschte Position schieben. Setzen Sie den Block immer ganz ein, bis er mit einem Klick einrastet. Wenn Sie den roten Bereich oben auf der Taste sehen können, ist der Block nicht ganz eingerastet. Setzen Sie den Akku ganz ein, bis der rote Bereich nicht mehr zu sehen ist. Andernfalls kann der Block versehentlich aus dem Werkzeug fallen und Sie oder Personen in Ihrem Umfeld verletzen.
- Wenden Sie beim Einsetzen des Akkublocks keine Gewalt an. Wenn der Block nicht leicht hineingleitet, wird er nicht richtig eingesetzt.

Bedienung des Schalters (Abb. 2)

⚠️ ACHTUNG:

- Achten Sie vor dem Einsetzen des Akkublocks in das Werkzeug darauf, dass sich der Ein/Aus-Schalter korrekt bedienen lässt und beim Loslassen in die Position „OFF“ (AUS) zurückkehrt.
- Betätigen Sie zum Starten des Werkzeugs einfach den Ein/Aus-Schalter. Lassen Sie zum Ausschalten des Werkzeugs den Ein/Aus-Schalter los.

Bedienen des Umschalters (Abb. 3)

⚠️ ACHTUNG:

- Überprüfen Sie vor jedem Betrieb immer die Drehrichtung.
- Der Umschalter darf nur bei Stillstand des Werkzeugs betätigt werden. Wenn Sie die Drehrichtung bei noch laufendem Werkzeug umschalten, kann das Werkzeug beschädigt werden.
- Wenn Sie das Werkzeug nicht benutzen, müssen Sie den Umschalthebel immer auf die neutrale Position stellen.

Dieses Werkzeug verfügt über einen Umschalter für die Änderung der Drehrichtung. Für eine Drehbewegung im Uhrzeigersinn drücken Sie den Umschalthebel von der Seite A nach unten, und für eine Drehbewegung entgegen dem Uhrzeigersinn von der Seite B. Wenn sich der Umschalthebel in der neutralen Position befindet, kann der Ein/Aus-Schalter nicht betätigt werden.

Einschalten der Lampen (Abb. 4)

⚠️ ACHTUNG:

- Schauen Sie nicht direkt in das Licht oder in die Lichtquelle.

Betätigen Sie zum Einschalten der Lampe den Auslöser. Solange Sie den Ein/Aus-Schalter betätigen, leuchtet die Lampe. Die Lampe erlischt automatisch nach 10 Sekunden nach dem Loslassen des Auslöseschalters.

HINWEIS:

- Schmutz auf der Lampenlinse können Sie mit einem trockenen Tuch abwischen. Achten Sie darauf, dass die Lampenlinse nicht zerkratzt wird, da dies die Leuchtstärke mindern kann.

LED (Abb. 5)

⚠️ ACHTUNG:

- Die LED am Werkzeug zeigt die folgenden Funktionen.

Funktion	Status	Status der LED / des akustischen Signals		Auszuführende Maßnahme
		LED-Anzeige	Akustisches Signal	
Autostopp-Befestigung	Diese Funktion wird ausgelöst, wenn das Werkzeug das voreingestellte Anzugsdrehmoment erreicht hat und die Befestigung somit abgeschlossen ist. Auf diese Weise wird ein Überdrehen verhindert.	Leuchtet für etwa eine Sekunde grün auf.	—	—
Verzögerter Neustart	Nach der Auto-Stopp-Befestigung lässt sich das Werkzeug etwa eine Sekunde lang nicht starten, auch wenn der Auslöseschalter betätigt wird.			
Warnung über unzureichende Befestigung	Wird der Auslöseschalter vor Erreichen des voreingestellten Anzugsdrehmoments losgelassen, ist die Befestigung unzureichend.	Leuchtet rot auf.	Ein langer Piepston	Schraube neu anziehen
Warnung zur Ladung des Akkublocks	Dies bedeutet, dass der Akkublock nahezu entladen ist und ausgetauscht werden muss.	Flackert langsam rot.	Eine Reihe langer Piepstöne	Ersetzen Sie den Akku durch einen geladenen.
Prüfen der Akku-Restladung, Autostopp	Dies bedeutet, dass der Akkublock leer ist. Das Werkzeug schaltet sofort aus.	Leuchtet rot auf.	Ein langer Piepston	Ersetzen Sie den Akku durch einen geladenen.
Prüfen von LED-Anzeige, Leuchte und akustischem Signal	Diese Funktion dient zur Überprüfung der LED-Anzeige, der Leuchte und des akustischen Signals, wenn ein Akkublock in das Werkzeug eingesetzt wird.	Leuchtet erst grün, dann rot. (Dann leuchtet die Lampe.)	Eine Reihe sehr kurzer Piepstöne	—
Anti-Reset der Steuereinheit	Diese Funktion wird durch einen unnormalen Abfall der Akkuspannung ausgelöst und stoppt das Werkzeug.	Flackert abwechselnd rot und grün.	Eine Reihe kurzer Piepstöne	Ersetzen Sie den Akku durch einen geladenen.
Überhitzung	Diese Funktion wird durch hohe Temperaturen der Steuereinheit ausgelöst und stoppt das Werkzeug.	Flackert schnell rot.	Eine Reihe kurzer Piepstöne	Entfernen Sie den Akkublock sofort und lassen Sie das Werkzeug abkühlen.
Betriebsfehler des Auslöseschalters	Diese Funktion verhindert ein versehentliches Starten des Werkzeugs durch Einsetzen des Akkublocks bei betätigtem Auslöseschalter.	Flackert abwechselnd rot und grün.	Eine Reihe kurzer Piepstöne	Lassen Sie den Schalter los.

Einstellen des Anzugsdrehmoments (Abb. 6)

Für das Eintreiben von Maschinenschrauben, Sechskantschrauben usw. mit voreingestelltem Drehmoment stellen Sie das Drehmoment wie folgt ein.

1. Entfernen Sie zunächst den Akkublock aus dem Werkzeug.
2. Lösen und entfernen Sie die Schraube, die den Ring sichert.
3. Drehen Sie den Ring vorne im Werkzeug von Hand, so dass unter dem Ring ein Loch sichtbar wird.
4. Setzen Sie den Akkublock ein und betätigen Sie den Ein-/Aus-Schalter. Lassen Sie den Schalter los, so dass sich der Einstellring dreht und das Loch wie dargestellt sichtbar wird. Entnehmen Sie dann den Akkublock. (Abb. 7)
5. Verwenden Sie einen optionalen Einstellgriff zum Einstellen des Anzugsmoments. Führen Sie den Stift des Einstellgriffs in das Loch vorne im Werkzeug ein. Drehen Sie dann den Einstellgriff im Uhrzeigersinn, um ein höheres Anzugsmoment einzustellen, bzw.

gegen den Uhrzeigersinn, um ein niedrigeres Drehmoment einzustellen.

6. Richten Sie gelbe Linie mit der gewünschten Zahl auf der Anzugsdrehmoment-Skala aus.
7. Setzen Sie den Akkublock ein und prüfen Sie das eingestellte Drehmoment mit einem Drehmoment-Prüfgerät.
8. Drehen Sie den Ring vorne am Werkzeug und ziehen Sie die Schrauben an, um den Ring zu sichern.

HINWEIS:

- Die Zahlen auf der Anzugsdrehmoment-Skala dienen als Richtlinie zur Einstellung des gewünschten Anzugsdrehmoments.

MONTAGE

⚠ ACHTUNG:

- Schalten Sie das Werkzeug stets aus und entfernen Sie den Akkublock, bevor Sie Arbeiten am Werkzeug ausführen.

Einsetzen oder Entfernen des Dreh- oder Steckeinsatzes (Abb. 8)

Verwenden Sie ausschließlich Einsätze mit einem in der Abbildung dargestellten Montagekopf.

Für Werkzeug mit flacher Einsatzaufnahme

A = 12 mm B = 9 mm	Verwenden Sie ausschließlich diese Art von Einsätzen. Befolgen Sie die Vorgehensweise (1). (Hinweis) Einsatzteil ist nicht erforderlich.
-----------------------	---

Für Werkzeug mit tiefer Einsatzaufnahme

A = 17 mm B = 14 mm	Zum Einsetzen dieser Art von Einsätzen befolgen Sie die Vorgehensweise (1).
A = 12 mm B = 9 mm	Zum Einsetzen dieser Art von Einsätzen befolgen Sie die Vorgehensweise (2). (Hinweis) Einsatzteil ist zum Einsetzen des Einsatzes erforderlich.

1. Zum Einsetzen des Einsatzes in das Werkzeug ziehen Sie den Kranz in Richtung des Pfeils und setzen Sie den Einsatz bis zum Anschlag in den Kranz ein. Lassen Sie den Kranz los, um den Einsatz zu sichern. (Abb. 9)
2. Zum Einsetzen des Einsatzes in das Werkzeug ziehen Sie den Kranz in Richtung des Pfeils und setzen Sie das Einsatzteil und den Einsatz bis zum Anschlag in den Kranz ein. Das Einsatzteil muss mit der Spitze einwärts in den Kranz eingesetzt werden. Lassen Sie dann den Kranz zur Sicherung des Einsatzes los. (Abb. 10)

Zum Entnehmen des Einsatzes ziehen Sie den Kranz in Pfeilrichtung und ziehen Sie den Einsatz kräftig heraus.

HINWEIS:

- Wenn der Einsatz nicht tief genug in den Kranz eingesetzt wird, kehrt der Kranz nicht in die Ursprungsposition zurück, und der Einsatz ist nicht gesichert. Setzen Sie in diesem Fall den Einsatz anhand der oben aufgeführten Anweisungen erneut ein.

BETRIEB

Schraubendreherbetrieb (Abb. 11)

Setzen Sie die Spitze des Schraubeinsatzes in den Schraubenkopf, und üben Sie Druck auf das Werkzeug aus. Schalten Sie dann das Werkzeug ein. Wenn die Kupplung einsticht, wird der Motor automatisch gestoppt. Lassen Sie dann den Ein/Aus-Schalter los.

HINWEIS:

- Vergewissern Sie sich, dass der Schraubeinsatz gerade im Schraubenkopf sitzt. Andernfalls kann die Schraube und/oder der Einsatz beschädigt werden.

Einschränkungen der Befestigungsleistung

Verwenden Sie das Werkzeug innerhalb des Drehwinkels von bis zu 360°. Wenn Sie das Werkzeug außerhalb der Obergrenze dieses Bereichs verwenden, greift die Kupplung nicht. Das Werkzeug kann dann nicht genügend Anzugsdrehmoment liefern.

HINWEIS:

- Der Drehwinkel ist der Winkel, um den Schrauben/ Bolzen gedreht werden, wenn das Werkzeug von 50% auf 100% des gewünschten Drehmoments geht.
- Bei Verwendung eines zu kalten Akkublocks kann es zu einer Warnung hinsichtlich der Ladekapazität durch die Warnlampe und das akustische Signal kommen, und das Werkzeug hält sofort an. In diesem Fall kann die Fähigkeit zum Festziehen im Vergleich zu den Angaben in dieser Anleitung geringer ausfallen, auch wenn der verwendete Akkublock voll geladen ist.

WARTUNG

⚠ ACHTUNG:

- Schalten Sie das Werkzeug stets aus und ziehen Sie den Akkublock ab, bevor Sie Inspektionen oder Wartungsarbeiten am Werkzeug vornehmen.
- Verwenden Sie zum Reinigen niemals Kraftstoffe, Benzin, Verdünner, Alkohol oder ähnliches. Dies kann zu Verfärbungen, Verformungen oder Rissen führen.

Ersetzen der Kohlebürsten (Abb. 12)

Entfernen und überprüfen Sie die Kohlebürsten in regelmäßigen Abständen. Ersetzen Sie diese, wenn sie bis zur Verschleißgrenze abgenutzt sind. Halten Sie die Kohlebürsten sauber und sorgen Sie dafür, dass sie locker in den Halterungen liegen. Ersetzen Sie beide Kohlebürsten gleichzeitig. Verwenden Sie nur identische Kohlebürsten.

Nehmen Sie die Kappen der Bürstenhalter mit Hilfe eines Schraubendrehers ab. Entnehmen Sie die verbrauchten Kohlebürsten, setzen Sie neue Bürsten ein und bringen Sie die Bürstenhalterkappen wieder fest an. (Abb. 13) Um die SICHERHEIT und ZUVERLÄSSIGKEIT des Produkts zu gewährleisten, sollten Reparaturen, Wartungsarbeiten und Einstellungen nur durch von Makita autorisierte Servicecenter durchgeführt und immer Makita-Ersatzteile verwendet werden.

ZUBEHÖR

⚠ ACHTUNG:

- Für das in diesem Handbuch beschriebene Makita-Werkzeug werden folgende Zubehör- und Zusatzteile empfohlen. Die Verwendung anderer Zubehör- und Zusatzteile kann zu Personenschäden führen. Verwenden Sie Zubehör- und Zusatzteile nur für den vorgesehenen Zweck.

Informationen zu diesem Zubehör erhalten Sie von Ihrem Makita-Servicecenter.

- Verschiedene Typen von originalen Akkus und Ladegeräten von Makita
- Einstellgriff
- Schutz
- Griffflächenatz
- Griff 37
- Anti-Kickback-System

Schallpegel

ENG905-1

Typischer A-bewerteter Schallpegel nach EN60745:

Schalldruckpegel (L_{pA}): 70 dB(A) oder weniger
Abweichung (K): 3 dB (A)

Unter Arbeitsbedingungen kann der Geräuschpegel 80 dB (A) überschreiten.

Tragen Sie Gehörschutz!

Schwingung

ENG900-1

Schwingungsgesamtwerte (Vektorsumme dreier Achsen) nach EN60745:

Arbeitsmodus: Bohren in Metall
Schwingungsbelastung ($a_{h,D}$): 2,5 m/s^2 oder weniger
Abweichung (K): 1,5 m/s^2

ENG901-1

- Der hier angegebene Wert für die erzeugten Schwingungen wurde gemäß dem genormten Testverfahren ermittelt und kann als Vergleich zu anderen Werkzeugen herangezogen werden.
- Der angegebene Wert für die erzeugten Schwingungen ist außerdem für eine vorbeugende Bewertung der Belastung zu verwenden.

WARNUNG:

- Die Schwingungsbelastung kann bei tatsächlichem Gebrauch des Elektrowerkzeugs in Abhängigkeit von der Handhabung des Elektrowerkzeugs von dem hier aufgeführten Wert abweichen.
- Stellen Sie sicher, dass Schutzmaßnahmen für den Bediener getroffen werden, die auf den unter den tatsächlichen Arbeitsbedingungen zu erwartenden Belastungen beruhen (beziehen Sie alle Bestandteile des Arbeitsablaufs ein, also zusätzlich zu den Arbeitszeiten auch Zeiten, in denen das Werkzeug ausgeschaltet ist oder ohne Last läuft).

Nur für europäische Länder

ENH101-14

EG-Konformitätserklärung

Wir, Makita Corporation als verantwortlicher Hersteller, erklären, dass das/die folgenden Gerät/ Geräte der Marke Makita:

Bezeichnung des Geräts:

Akku-Schrauber

Nummer / Typ des Modells: BFT043F, BFT083F, BFT125F

in Serienfertigung hergestellt wird/werden und **den folgenden Richtlinien der Europäischen Union genügt/genügen:**

2006/42/EG

Außerdem werden die Geräte gemäß den folgenden Standards oder Normen gefertigt:

EN60745

Die technische Dokumentation erfolgt durch unseren Bevollmächtigten in Europa:

Makita International Europe Ltd.,
Michigan, Drive, Tongwell,
Milton Keynes, MK15 8JD, England

3. 2. 2010



Tomoyasu Kato
Direktor

Makita Corporation
3-11-8, Sumiyoshi-cho,
Anjo, Aichi, JAPAN

ITALIANO (Istruzioni originali)

Spiegazione della vista generale

- | | | |
|---------------------------------------|---|-----------------------------|
| 1. Area rossa | 8. Impugnatura di regolazione | 15. Punta |
| 2. Pulsante | 9. Anello | 16. Manicotto |
| 3. Batteria | 10. Anello di regolazione | 17. Componente della punta |
| 4. Leva di comando dell'interruttore | 11. Graduazione | 18. Indicatore di limite |
| 5. Leva di inversione della rotazione | 12. Foro per l'impugnatura di regolazione | 19. Coperchio portaspazzola |
| 6. Lampada frontale | 13. Linea gialla | 20. Cacciavite |
| 7. Indicatore LED | 14. Molla di compressione | |

CARATTERISTICHE TECNICHE

Modello		BFT043F	BFT083F	BFT125F
Coppia di serraggio	Giunto rigido	1 - 4 N•m	3 - 8 N•m	5 - 12 N•m
	Giunto morbido	1 - 4 N•m	3 - 8 N•m	5 - 12 N•m
Velocità a vuoto (min ⁻¹)		80	80	150
Dimensioni (L × P × A)		200 mm × 72 mm × 255 mm		
Peso netto		1,5 kg		
Tensione nominale		14,4 V CC		

- Le caratteristiche tecniche riportate di seguito sono soggette a modifiche senza preavviso in virtù del nostro programma continuo di ricerca e sviluppo.
- Le caratteristiche tecniche e le batterie possono differire da paese a paese.
- Peso, comprensivo di batterie, calcolato in base alla Procedura EPTA 01/2003

Uso previsto

Questo utensile è progettato per l'avvitatura di viti in legno, metallo e plastica.

ENE033-1

possono raggiungere temperature elevate e provocare ustioni.

Avvertenze generali di sicurezza per l'uso dell'utensile

GEA010-1

⚠ AVVERTENZA Leggere attentamente tutte le avvertenze di sicurezza e le istruzioni. La mancata osservanza delle istruzioni e delle avvertenze riportate di seguito potrebbe provocare scosse elettriche, incendi e/o lesioni gravi.

Conservare le avvertenze e le istruzioni per riferimenti futuri.

AVVERTENZE DI SICUREZZA PER L'AVVITATORE SENZA FILI

GEB050-2

- Se vengono eseguite operazioni in cui il dispositivo di fissaggio può toccare fili nascosti, impugnare l'utensile per i punti di presa isolati. Se il dispositivo di fissaggio entra a contatto con un filo percorso da corrente, le parti metalliche esposte dell'utensile si troveranno anch'esse sotto tensione e potrebbero provocare scosse elettriche all'operatore.
- Accertarsi sempre di avere un equilibrio stabile. Controllare che nessuno si trovi sotto all'utensile quando lo si utilizza in posizioni elevate.
- Tenere l'utensile saldamente.
- Tenere le mani lontano dalle parti rotanti.
- Non toccare la punta o il pezzo in lavorazione subito dopo aver utilizzato l'utensile in quanto

CONSERVARE QUESTE ISTRUZIONI.

⚠ AVVERTENZA:

NON lasciare che la familiarità acquisita con il prodotto (dovuta all'uso ripetuto) provochi l'inosservanza delle norme di sicurezza per il presente prodotto. L'USO IMPROPRIO o la mancata osservanza delle norme di sicurezza contenute in questo manuale di istruzioni possono provocare infortuni gravi.

ISTRUZIONI IMPORTANTI PER LA SICUREZZA

ENC007-6

RELATIVE ALLA BATTERIA

- Prima di utilizzare la batteria, leggere tutte le istruzioni e gli avvisi di sicurezza relativi a (1) caricabatteria, (2) batteria e (3) prodotto utilizzato con la batteria.
- Non smontare la batteria.
- Se il tempo di funzionamento è diventato eccessivamente breve, non utilizzare l'utensile. Potrebbero verificarsi surriscaldamenti, ustioni o esplosioni.
- In caso di contatto dell'elettrolita della batteria con gli occhi, sciacquare con acqua fresca e rivolgersi immediatamente a un medico. Potrebbero verificarsi danni permanenti alla funzionalità visiva.

5. **Non cortocircuitare la batteria:**
 - (1) **Non toccare i terminali della batteria con materiale in grado di condurre elettricità.**
 - (2) **Evitare di conservare la batteria a contatto con oggetti metallici quali chiodi, monete e così via.**
 - (3) **Non esporre le batterie all'acqua o alla pioggia.**

Un cortocircuito può provocare un elevato flusso di corrente, surriscaldamento, ustioni o rotture.
6. **Non conservare l'utensile e la batteria a una temperatura superiore a 50 °C.**
7. **Evitare di smaltire le batterie danneggiate o esaurite bruciandole. Se esposte al fuoco, le batterie possono esplodere.**
8. **Evitare di far cadere o di colpire la batteria.**
9. **Non utilizzare batterie danneggiate.**

CONSERVARE QUESTE ISTRUZIONI.

Suggerimenti il prolungamento della durata della batteria

1. **Caricare le batterie prima di scaricarle completamente.**
Se si nota una diminuzione di potenza dell'utensile, interrompere il lavoro e ricaricare la batteria.
2. **Non ricaricare una batteria già completamente carica.**
In caso contrario, la durata operativa della batteria potrebbe ridursi.
3. **Caricare la batteria in ambienti con temperatura compresa tra 10 °C e 40 °C. Prima di caricare una batteria surriscaldata, lasciarla raffreddare.**

DESCRIZIONE FUNZIONALE

⚠ ATTENZIONE:

- Prima di regolare o controllare le funzioni dell'utensile, verificare sempre di averlo spento e di aver rimosso la batteria.

Installazione o rimozione della batteria (Fig. 1)

- Prima di inserire o rimuovere la batteria, spegnere sempre l'utensile.
- Per rimuovere la batteria, estrarla dall'utensile facendo scorrere il pulsante sulla parte frontale della batteria.
- Per inserire la batteria, allineare la linguetta sulla batteria con la scanalatura dell'alloggiamento e farla scorrere fino a raggiungere la posizione corretta. Inserire sempre la batteria fino a quando si blocca in posizione con uno scatto. Se l'area rossa del lato superiore del pulsante è ancora visibile, la batteria non è completamente inserita. Inserirla fino a quando l'area rossa non è più visibile. In caso contrario l'adattatore può fuoriuscire accidentalmente dall'utensile e provocare lesioni all'operatore o a eventuali osservatori.
- Non applicare una forza eccessiva per inserire la batteria. Se la batteria non scorre agevolmente, la manovra di inserimento non è corretta.

Azionamento dell'interruttore (Fig. 2)

⚠ ATTENZIONE:

- Prima di inserire la batteria nell'utensile, controllare se la leva di comando dell'interruttore funziona correttamente e ritorna nella posizione "OFF" una volta rilasciata.

Per avviare l'utensile è sufficiente premere l'interruttore. Per spegnere l'utensile, rilasciare la leva di comando dell'interruttore.

Azionamento della leva di inversione della rotazione (Fig. 3)

⚠ ATTENZIONE:

- Prima di azionare l'utensile, controllare sempre la direzione di rotazione impostata.
- Utilizzare la leva di inversione solo quando l'utensile è completamente fermo. Modificare la direzione di rotazione prima dell'arresto può danneggiare l'utensile.
- Se non si utilizza l'utensile, posizionare sempre la leva di inversione nella posizione centrale.

Questo utensile è dotato di una leva di inversione che consente di modificare la direzione di rotazione. Premere la leva di inversione dal lato A se si desidera una rotazione in senso orario, dal lato B se si desidera una rotazione in senso antiorario.

Quando la leva di inversione si trova nella posizione centrale è impossibile azionare l'interruttore.

Accensione delle lampade (Fig. 4)

⚠ ATTENZIONE:

- Non osservare direttamente la luce o la fonte luminosa.
- Per accendere la lampada, azionare l'interruttore. La lampada rimane accesa fino a quando si tiene premuto l'interruttore. La lampada si spegne automaticamente 10 secondi dopo aver rilasciato l'interruttore.

NOTA:

- Utilizzare un panno asciutto per pulire la lente della lampada. Fare attenzione a non graffiare la lente della lampada per evitare riduzioni dell'intensità luminosa.

Indicatore LED (Fig. 5)

⚠ ATTENZIONE:

- La lampada dell'utensile adempie alle funzioni riportate di seguito.

Funzione	Stato	Stato dell'indicatore LED/acustico		Intervento da eseguire
		Indicatore LED	Indicatore acustico	
Arresto automatico	Questa funzione viene attivata quando l'utensile ha raggiunto la coppia di serraggio preimpostata ed è stato completato il serraggio normale. Consente di evitare un serraggio eccessivo.	Si illumina in verde per circa un secondo.	—	—
Riavvio posticipato	L'utensile non può essere avviato, nemmeno azionando l'interruttore, per circa un secondo dopo l'arresto automatico.			
Avvertenza sul serraggio insufficiente	È stato eseguito un serraggio insufficiente, in quanto l'interruttore è stato rilasciato prima di raggiungere la coppia di serraggio preimpostata.	Si illumina in rosso.	Segnale acustico prolungato	Serrare di nuovo la vite
Avvertenza sulla capacità della batteria	Indica che è il momento adatto per sostituire la batteria nel momento in cui la sua carica diventa limitata.	Lampeggia lentamente in rosso.	Serie di segnali acustici prolungati	Sostituire la batteria con una completamente carica.
Verifica della capacità rimanente della batteria, arresto automatico	Questa funzione si attiva quando la batteria è quasi scarica. In questa situazione l'utensile si spegne immediatamente.	Si illumina in rosso.	Segnale acustico prolungato	Sostituire la batteria con una completamente carica.
Controllare l'indicatore LED, la lampada e l'indicatore acustico	Questa funzione verifica il corretto funzionamento dell'indicatore LED, della lampada e dell'indicatore acustico quando viene inserita una batteria nell'utensile.	Si illumina prima in verde e poi in rosso. La lampada si accende.	Serie di segnali acustici molto brevi	—
Anti-reset del controller	Questa funzione viene attivata se per qualche motivo si verifica un calo anomalo della tensione della batteria; l'utensile viene spento.	Lampeggia alternatamente in rosso e in verde.	Serie di segnali acustici brevi	Sostituire la batteria con una completamente carica.
Surriscaldamento	Questa funzione si attiva quando la temperatura del controller è eccessiva; l'utensile viene spento.	Lampeggia rapidamente in rosso.	Serie di segnali acustici brevi	Rimuovere immediatamente la batteria e lasciar raffreddare l'utensile.
Errore di funzionamento dell'interruttore	Questa funzione evita l'avvio immediato dell'utensile se la batteria viene inserita quando l'interruttore è azionato.	Lampeggia alternatamente in rosso e in verde.	Serie di segnali acustici brevi	Rilasciare l'interruttore di accensione.

Regolazione della coppia di serraggio (Fig. 6)

Per avvitare viti per metallo, bulloni esagonali e così via con una coppia predeterminata, regolare la coppia di serraggio nel modo seguente.

1. Rimuovere la batteria dall'utensile.
2. Allentare e rimuovere la vite che tiene fissato l'anello.
3. Ruotare con la mano l'anello davanti all'utensile, in modo che sia possibile vedere un foro sotto l'anello.
4. Inserire la batteria e azionare l'interruttore. Rilasciarlo in modo che l'anello di regolazione ruoti e permetta di vedere il foro, come mostrato nella figura. Rimuovere quindi la batteria. (Fig. 7)
5. Utilizzare un'impugnatura di regolazione (non in dotazione) per regolare la coppia di serraggio. Inserire il perno dell'impugnatura di regolazione nel foro davanti all'utensile. Ruotare quindi l'impugnatura di regolazione in senso orario per impostare una coppia di serraggio maggiore e in senso antiorario per una coppia minore.

6. Allineare la linea gialla al numero desiderato sulla graduazione della coppia di serraggio.
7. Inserire la batteria e assicurarsi che sia stata impostata una coppia di serraggio utilizzando un tester per coppie di serraggio.
8. Ruotare l'anello davanti all'utensile e serrare la vite per fissarlo.

NOTA:

- I numeri sulla graduazione della coppia di serraggio rappresentano un'indicazione per l'impostazione della coppia di serraggio desiderata.

MONTAGGIO

⚠ ATTENZIONE:

- Prima di eseguire qualsiasi operazione sull'utensile, verificare sempre di averlo spento e di aver rimosso la batteria.

Installazione o rimozione della punta per avvitatore o della punta a tubo (Fig. 8)

Utilizzare solo punte che abbiano parti di inserimento della lunghezza mostrata in figura.

Per l'utensile con foro per punta poco profondo

A=12 mm B=9 mm	Usare solo questi tipi di punte. Attenersi alla procedura (1). (Nota) Il componente della punta non è necessario.
-------------------	--

Per l'utensile con foro per punta profondo

A=17 mm B=14 mm	Per installare questi tipi di punte, attenersi alla procedura (1).
A=12 mm B=9 mm	Per installare questi tipi di punte, attenersi alla procedura (2). (Nota) Il componente della punta è necessario per l'installazione della punta.

1. Per installare la punta, tirare il manicotto nella direzione della freccia e inserire completamente la punta nel manicotto. Rilasciare quindi il manicotto per fissare la punta. (Fig. 9)
2. Per installare la punta, tirare il manicotto nella direzione della freccia e inserire completamente il componente della punta e la punta nel manicotto. Il componente della punta deve essere inserito nel manicotto con l'estremità appuntita rivolta verso l'interno. Rilasciare quindi il manicotto per fissare la punta. (Fig. 10)

Per rimuovere la punta, tirare il manicotto in direzione della freccia, quindi estrarre la punta.

NOTA:

- Se la punta non viene inserita nel manicotto a una profondità sufficiente, il manicotto non tornerà nella posizione iniziale e la punta non verrà fissata. In tal caso, provare a reinserire la punta seguendo le istruzioni riportate sopra.

USO

Avvitatura (Fig. 11)

Inserire l'estremità della punta nella testa della vite e applicare una pressione all'utensile. Accendere quindi l'utensile. Quando la frizione entra in azione, il motore si arresta automaticamente. A questo punto rilasciare l'interruttore.

NOTA:

- Accertarsi di aver inserito la punta correttamente nella testa della vite. In caso contrario la punta o la vite potrebbero danneggiarsi.

Limiti della capacità di serraggio

Utilizzare l'utensile entro un angolo di rivoluzione massimo di 360°. Se l'utensile viene utilizzato oltre il limite superiore specificato, la frizione non si innesta e l'utensile non può garantire una coppia di serraggio sufficiente.

NOTA:

- L'angolo di rivoluzione è l'angolo di rotazione della vite o del bullone quando l'utensile raggiunge il 100% dal 50% della coppia desiderata.

- L'uso di una batteria condizionata a bassa temperatura può a volte dare luogo all'avvertenza sulla capacità della batteria per mezzo della spia e dell'indicatore acustico di avvertenza, causando l'arresto immediato dell'utensile. In questo caso la capacità di serraggio potrebbe essere inferiore alle specifiche riportate nel manuale anche se la batteria in uso è completamente carica.

MANUTENZIONE

⚠ ATTENZIONE:

- Prima di effettuare ispezioni o lavori di manutenzione, verificare sempre che l'utensile sia spento e che la batteria sia stata rimossa.
- Evitare assolutamente di usare benzina, diluenti, solventi, alcol o sostanze simili. In caso contrario, potrebbero verificarsi scoloriture, deformazioni o incrinature.

Sostituzione delle spazzole di carbone (Fig. 12)

Rimuovere e controllare periodicamente le spazzole di carbone. Sostituire le spazzole quando sono consumate fino al limite indicato. Mantenere le spazzole di carbone pulite e libere per farle slittare nei supporti. Entrambe le spazzole di carbone devono essere sostituite contemporaneamente. Utilizzare solo spazzole di carbone identiche.

Rimuovere i coperchi dei portaspazzola con un cacciavite. Estrarre le spazzole di carbone consumate, inserire le nuove spazzole e fissare i coperchi dei portaspazzola. (Fig. 13)

Per garantire la SICUREZZA e l'AFFIDABILITÀ del prodotto, le riparazioni e qualsiasi altra operazione di manutenzione o regolazione devono essere eseguite dai centri di assistenza autorizzati Makita utilizzando sempre parti di ricambio Makita.

ACCESSORI

⚠ ATTENZIONE:

- Si raccomanda di usare questi accessori con l'utensile Makita descritto in questo manuale. L'uso di qualsiasi altro accessorio potrebbe provocare infortuni. Utilizzare gli accessori esclusivamente per l'uso dichiarato.

Per l'assistenza e per ulteriori informazioni su tali accessori, rivolgersi al centro assistenza Makita di zona.

- Numerosi modelli di batterie e caricabatteria originali Makita
- Impugnatura di regolazione
- Protezione
- Base dell'impugnatura
- Impugnatura 37
- Testa antirimbalzo

Rumore

ENG905-1

Il tipico livello di rumore ponderato A è determinato in conformità con la norma EN60745:

Livello di pressione sonora (L_{pA}): 70 dB (A) o inferiore

Variazione (K): 3 dB (A)

Il livello acustico in funzionamento può superare 80 dB (A).

Indossare una protezione acustica.

Vibrazione ENG900-1

Il valore totale delle vibrazioni (somma vettoriale triassiale) è determinato in conformità con la norma EN60745:

Modalità di lavoro: foratura metallo
Emissione di vibrazioni ($a_{h,D}$): 2,5 m/s² o inferiore
Variazione (K): 1,5 m/s²

ENG901-1

- Il valore di emissione delle vibrazioni dichiarato è stato misurato in conformità con il metodo di test standard e può essere utilizzato per confrontare tra loro diversi utensili.
- Il valore dell'emissione delle vibrazioni dichiarato può anche essere usato per stime preliminari dell'esposizione.

AVVERTENZA:

- L'emissione delle vibrazioni durante l'uso effettivo dell'utensile elettrico può risultare diversa rispetto al valore dichiarato, in base alla modalità d'uso dell'utensile.
- Assicurarsi di individuare le necessarie misure di sicurezza per proteggere l'operatore in base a una stima dell'esposizione nelle condizioni reali di utilizzo (prendendo in considerazione tutte le fasi del ciclo operativo, come quante volte l'utensile viene spento e i periodi in cui rimane inattivo, oltre al tempo di avviamento).

Solo per i paesi europei ENH101-14

Dichiarazione di conformità CE

Makita Corporation, in qualità di produttore responsabile, dichiara che le macchine Makita indicate di seguito:

Denominazione della macchina:

Avvitatore senza fili

N. modello/Tipo: BFT043F, BFT083F, BFT125F

appartengono a una produzione in serie e

sono conformi alle seguenti direttive europee:

2006/42/EC

Sono inoltre prodotte in conformità con gli standard o i documenti standardizzati riportati di seguito:

EN60745

La documentazione tecnica viene conservata dal rappresentante autorizzato in Europa, ovvero:

Makita International Europe, Ltd.,
Michigan, Drive, Tongwell,
Milton Keynes, MK15 8JD, Inghilterra

3. 2. 2010



Tomoyasu Kato
Direttore

Makita Corporation
3-11-8, Sumiyoshi-cho,
Anjo, Aichi, JAPAN

NEDERLANDS (Originele instructies)

Verklaring van het onderdelenoverzicht

1. Rode deel	8. Instelgreep	15. Bit
2. Knop	9. Ring	16. Bus
3. Accu	10. Instelring	17. Bit-adapter
4. Aan/uit-schakelaar	11. Schaal	18. Slijtgrensmarkering
5. Omkeerschakelaar	12. Gat voor instelgreep	19. Koolborsteldop
6. Lamp op voorkant	13. Gele lijn	20. Schroevendraaier
7. LED-indicator	14. Drukveer	

TECHNISCHE GEGEVENS

Model		BFT043F	BFT083F	BFT125F
Draaikoppel	Vaste verbinding	1 - 4 N•m	3 - 8 N•m	5 - 12 N•m
	Zachte verbinding	1 - 4 N•m	3 - 8 N•m	5 - 12 N•m
Nullasttoerental (min ⁻¹)		80	80	150
Afmetingen (l x b x h)		200 mm x 72 mm x 255 mm		
Netto gewicht		1,5 kg		
Nominale spanning		14,4 V gelijkstroom		

- Als gevolg van ons doorlopende onderzoeks- en ontwikkelingsprogramma, zijn de technische gegevens van dit gereedschap onderhevig aan veranderingen zonder voorafgaande kennisgeving.
- Specificaties en accu's kunnen van land tot land verschillen.
- Gewicht, inclusief de accu, volgens de EPTA-procedure 01/2003

Gebruiksdoeleinden ENE033-1

Het gereedschap is bedoeld voor schroeven in hout, metaal en kunststof.

Algemene veiligheidswaarschuwingen voor elektrisch gereedschap GEA010-1

⚠ WAARSCHUWING Lees alle veiligheidswaarschuwingen en alle instructies. Het niet volgen van de waarschuwingen en instructies kan leiden tot elektrische schokken, brand en/of ernstig letsel.

Bewaar alle waarschuwingen en instructies om in de toekomst te kunnen raadplegen.

VEILIGHEIDSWAARSCHUWINGE N SPECIFIEK VOOR EEN ACCUSCHROEFMACHINE GEB050-2

1. Houd het elektrisch gereedschap vast aan het geïsoleerde oppervlak van de handgrepen wanneer u werkt op plaatsen waar het bevestigingsmateriaal met verborgen bedrading in aanraking kan komen. Wanneer bevestigingsmaterialen in aanraking komen met onder spanning staande draden, zullen de niet-geïsoleerde metalen delen van het gereedschap onder spanning komen te staan zodat de gebruiker een elektrische schok kan krijgen.
2. Zorg er altijd voor dat u stevig staat. Zorg ervoor dat er niemand zich onder u bevindt

wanneer u het gereedschap op een hoge plaats gebruikt.

3. Houd het gereedschap stevig vast.
4. Houd uw handen uit de buurt van draaiende delen.
5. Raak het bit en het werkstuk niet onmiddellijk na gebruik aan. Zij kunnen bijzonder heet zijn en brandwonden op uw huid veroorzaken.

BEWAAR DEZE INSTRUCTIES

⚠ WAARSCHUWING: Laat u NIET misleiden door een vals gevoel van comfort en bekendheid met het gereedschap (na veelvuldig gebruik) en neem alle veiligheidsvoorschriften van het betreffende product altijd strikt in acht. VERKEERD GEBRUIK of het niet volgen van de veiligheidsinstructies in deze gebruiksaanwijzing kan leiden tot ernstig persoonlijk letsel.

BELANGRIJKE VEILIGHEIDSinSTRUCTIES ENC007-6

VOOR ACCU'S

1. Alvorens de accu in gebruik te nemen, leest u eerst alle instructies en waarschuwingsofschriften op (1) de acculader, (2) de accu en (3) het apparaat waarin de accu wordt aangebracht.
2. Haal de accu niet uit elkaar.
3. Als de gebruikstijd aanzienlijk korter is geworden, stopt u onmiddellijk met het gebruik. Anders kan dit leiden tot kans op oververhitting, mogelijke brandwonden en zelfs een explosie.

4. Als de elektrolyt in uw ogen komt, wast u deze uit met schoon water en raadpleegt u onmiddellijk een arts. Dit kan leiden tot verlies van gezichtsvermogen.
5. Sluit de accu niet kort:
 - (1) Raak de accupolen niet aan met enig geleidend materiaal.
 - (2) Bewaar de accu niet op een plaats waar deze in aanraking kan komen met andere metalen voorwerpen, zoals spijkers, munten, enz.
 - (3) Stel de accu niet bloot aan water of regen.
6. Bewaar het gereedschap en de accu niet op plaatsen waar de temperatuur kan oplopen tot 50 °C of hoger.
7. Werp de accu niet in een vuur, zelfs niet als deze al ernstig beschadigd of helemaal versleten is. De accu kan in een vuur exploderen.
8. Wees voorzichtig dat u de accu niet laat vallen of ergens tegenaan stoot.
9. Gebruik nooit een beschadigde accu.

BEWAAR DEZE INSTRUCTIES.

Tips voor een lange levensduur van de accu

1. Laad de accu op voordat deze volledig leeg is. Wanneer u merkt dat het gereedschap minder vermogen heeft, stopt u met het gebruik ervan en laadt u eerst de accu op.
2. Laad nooit een volledig opgeladen accu op. Te lang opladen verkort de levensduur van de accu.
3. Laad de accu op bij een omgevingstemperatuur van 10 °C tot 40 °C. Laat een warme accu eerst afkoelen voordat u deze oplaadt.

BESCHRIJVING VAN DE FUNCTIES

⚠ LET OP:

- Zorg ervoor dat het gereedschap is uitgeschakeld en dat de accu is verwijderd voordat u de werking van het gereedschap aanpast of controleert.

De accu aanbrengen en verwijderen (zie afb. 1)

- Schakel het gereedschap altijd uit voordat u de accu aanbrengt of verwijdert.
- Om de accu te verwijderen verschuift u de knop aan de voorkant van de accu en trekt u tegelijkertijd de accu uit het gereedschap.
- Om de accu aan te brengen lijnt u de lip op de accu uit met de groef in de behuizing en duwt u de accu op zijn plaats. Steek de accu zo ver mogelijk in het gereedschap tot u een klikgeluid hoort. Als u het rode deel aan de bovenkant van de knop kunt zien, is de accu niet goed aangebracht. Steek de accu zo ver mogelijk erin tot het rode deel niet meer zichtbaar is. Als u dit niet doet, kan de accu per ongeluk uit het

gereedschap vallen en u of anderen in uw omgeving verwonden.

- Oefen geen grote kracht uit bij het aanbrengen van de accu. Als de accu niet gemakkelijk in het gereedschap kan worden geschoven, wordt deze niet goed aangebracht.

Aan- en uit-knoppen (zie afb. 2)

⚠ LET OP:

- Controleer altijd, voordat u de accu in het gereedschap steekt, of de aan/uit-schakelaar op de juiste manier schakelt en weer terugkeert naar de uit-stand nadat deze is losgelaten.

Om het gereedschap in te schakelen, knijpt u gewoon de aan/uit-schakelaar in. Laat de aan/uit-schakelaar los om het gereedschap te stoppen.

Werking van de omkeerschakelaar (zie afb. 3)

⚠ LET OP:

- Controleer altijd de draairichting alvorens het gereedschap te gebruiken.
- Gebruik de omkeerschakelaar alleen nadat het gereedschap volledig tot stilstand is gekomen. Als u de draairichting verandert voordat het gereedschap volledig stilstaat, kan het gereedschap worden beschadigd.
- Als u het gereedschap niet gebruikt, zet u de omkeerschakelaar altijd in de middenstand.

Dit gereedschap is uitgerust met een omkeerschakelaar waarmee u de draairichting kunt omkeren. Druk op de omkeerschakelaar vanaf kant A voor de draairichting rechtsom, of vanaf kant B voor de draairichting linksom. Wanneer de omkeerschakelaar in de middenstand staat, kunt u de aan/uit-schakelaar niet inknippen.

De lamp inschakelen (zie afb. 4)

⚠ LET OP:

- Kijk niet rechtstreeks in het licht of naar de bron van de lamp.

Knijp de aan/uit-schakelaar in om de lamp op de voorkant in te schakelen. De lamp blijft branden zolang u de aan/uit-schakelaar ingeknepen houdt. De lamp gaat 10 seconden nadat de aan/uit-schakelaar is losgelaten automatisch uit.

OPMERKING:

- Gebruik een doek om het vuil van de lens van de lamp te vegen. Wees voorzichtig de lens van de lamp niet te bekrassen om de lichtopbrengst niet te verlagen.

LED-indicator (zie afb. 5)

⚠ LET OP:

- De lamp op het gereedschap heeft de volgende functies:

Functie	Toestand van accu/gereedschap	Toestand van de LED/Pieptoon		Te nemen maatregelen
		LED-indicator	Pieptoon	
Aandraaien met autostop	Deze functie treedt in werking wanneer het vooraf ingestelde draaikoppel is bereikt en normaal bevestigen is voltooid. Hierdoor wordt te vast aandraaien voorkomen.	Brandt groen gedurende ongeveer één seconde.	—	—
Vertraagd herstarten	Gedurende ongeveer één seconde na het automatisch stoppen met aandraaien kan het gereedschap niet opnieuw starten, ook niet wanneer de aan/uit-schakelaar wordt ingeknepen.			
Waarschuwing voor onvoldoende aandraaien	Als de trekschakelaar wordt losgelaten voordat het vooraf ingestelde draaikoppel is bereikt, zal niet goed aangedraaid zijn.	Brandt rood.	Een lange pieptoon.	Draai de schroef opnieuw aan.
Waarschuwing wegens lage acculading	Dit geeft het juiste tijdstip aan om de accu te vervangen wanneer de accu bijna leeg is.	Knippert langzaam rood.	Een reeks lange pieptonen.	Vervang de accu door een volledig opgeladen accu.
Controleren van de resterende acculading, Autostop	Deze functie treedt in werking wanneer de acculading bijna opgebruikt is. Op dat moment stopt het gereedschap onmiddellijk.	Brandt rood.	Een lange pieptoon.	Vervang de accu door een volledig opgeladen accu.
Controleren van de werking van de LED-indicator, lamp en pieptoon	Deze functie controleert de correcte werking van de LED-indicator, lamp en pieptoon wanneer een accu in het gereedschap is aangebracht.	Brandt eerst groen, daarna rood. (En daarna gaat de lamp branden.)	Een serie zeer korte pieptonen.	—
Voorkomen van terugstellen van de controller	Deze functie treedt in werking wanneer om een of andere reden een abnormale terugval in accuspanning optreedt waarna het gereedschap stopt.	Knippert beurtelings rood en groen.	Een serie korte pieptonen	Vervang de accu door een volledig opgeladen accu.
Oververhitting	Deze functie treedt in werking wanneer de temperatuur van de controller zeer hoog wordt, waarna het gereedschap stopt.	Knippert snel rood.	Een serie korte pieptonen	Verwijder de accu onmiddellijk uit het gereedschap en laat het gereedschap afkoelen.
Foutieve werking van de aan/uit-schakelaar	Deze functie voorkomt dat het gereedschap onmiddellijk start wanneer u een accu in het gereedschap aanbrengt terwijl de aan/uit-schakelaar is ingeknepen.	Knippert beurtelings rood en groen.	Een serie korte pieptonen	Laat de aan/uit-schakelaar los.

Het draaikoppel instellen (zie afb. 6)

Als u machineschroeven, zeskantbouten, enz., wilt indraaien met een vooraf ingesteld draaikoppel, stelt u het draaikoppel als volgt in.

1. Verwijder eerst de accu uit het gereedschap.
2. Draai de schroef los waarmee de ring is vastgezet en verwijder de schroef.
3. Draai de ring op de voorkant van het gereedschap met de hand rond zodat het gat onder de ring zichtbaar is.
4. Breng de accu weer aan en knijp de aan/uit-schakelaar in. Laat de aan/uit-schakelaar los zodat de instelring draait en het gat zichtbaar wordt zoals afgebeeld, en verwijder daarna de accu (zie afb. 7).
5. Gebruik een los verkrijgbare instelgreep om het draaikoppel in te stellen. Steek de pen van de instelgreep in het gat op de voorkant van het gereedschap. Draai vervolgens de instelgreep rechtsonder om het draaikoppel te verhogen en linksom om het draaikoppel te verlagen.
6. Lijn de gele lijn uit met de gewenste instelwaarde op de draaikoppelschaal.

7. Controleer of het draaikoppel goed is ingesteld met behulp van de draaikoppel-instelgreep, en breng de accu aan.
8. Draai de ring op de voorkant van het gereedschap zodat de schroef geplaatst kan worden en draai de schroef vast om de ring vast te zetten.

OPMERKING:

- De cijfers op de draaikoppelschaal dienen als richtlijn bij het instellen van het gewenste draaikoppel.

DE ONDERDELEN MONTEREN

⚠ LET OP:

- Controleer altijd of het gereedschap is uitgeschakeld en de accu is verwijderd alvorens enige werkzaamheden aan het gereedschap te verrichten.

De schroefbit of dopbit aanbrengen en verwijderen (zie afb. 8)

Gebruik uitsluitend bits met een insteekgedeelte zoals aangegeven in de afbeelding.

Voor gereedschappen met een ondiepe bitinsteekopening

A = 12 mm B = 9 mm	Gebruik uitsluitend dit type bits. Volg procedure (1). (Opmerking) De bit-adaptor is niet nodig.
-----------------------	---

Voor gereedschappen met een diepe bitinsteekopening

A = 17 mm B = 14 mm	Om deze typen bits te plaatsen, volgt u procedure (1).
A = 12 mm B = 9 mm	Om deze typen bits te plaatsen, volgt u procedure (2). (Opmerking) De bit-adaptor is nodig om het bit te plaatsen.

1. Om de bit te plaatsen, trekt u de bus in de richting van de pijl en steekt u de bit zo ver mogelijk in de bus. Laat daarna de bus los om de bit te vergrendelen (zie afb. 9).
2. Om de bit te plaatsen, trekt u de bus in de richting van de pijl en steekt u de bit-adaptor en de bit zo ver mogelijk in de bus. De bit-adaptor moet met het puntige uiteinde eerst in de bus worden gestoken. Laat daarna de bus los om de bit te vergrendelen (zie afb. 10).

Om de bit te verwijderen, trekt u de bus in de richting van de pijl en trekt u de bit met kracht eruit.

OPMERKING:

- Als de bit niet diep genoeg in de bus is gestoken, zal de bus niet terugkeren naar de oorspronkelijke positie en zal de bit niet vastzitten. In dat geval probeert u de bit opnieuw in de bus te steken volgens bovenstaande aanwijzingen.

BEDIENING

Gebruik als schroevendraaier (zie afb. 11)

Plaats de punt van het schroefbit in de schroefkop en oefen druk uit op het gereedschap. Schakel daarna het gereedschap in. Zodra de koppeling begint te slippen, zal de motor automatisch stoppen. Laat daarna de aan/uitschakelaar los.

OPMERKING:

- Zorg ervoor dat het schroefbit recht op de schroefkop staat omdat anders de schroef en/of het bit kunnen worden beschadigd.

Beperkingen in draaicapaciteitsbereik

Gebruik het gereedschap binnen het bereik van de draaiingshoek tot maximaal 360°. Als u het gereedschap gebruikt boven de bovengrens van dit bereik, werkt de koppeling niet en kan het gereedschap niet voldoende draaikoppel leveren.

OPMERKING:

- De draaiingshoek is de hoek waaronder een schroef/bout draait wanneer de door het gereedschap

uitgeoefende kracht wordt verhoogd van 50% van het gewenste koppel naar 100%.

- Het gebruik van een accu met een lage temperatuur kan leiden tot een waarschuwing wegens lage acculading door middel van een LED-indicator of pieptoon, waarna het gereedschap onmiddellijk stopt. In dit geval kan de draaicapaciteit lager zijn dan is gespecificeerd in deze handleiding, ook wanneer een opgeladen accu wordt gebruikt.

ONDERHOUD

⚠ LET OP:

- Zorg er altijd voor dat het gereedschap is uitgeschakeld en de accu is verwijderd, voordat u een inspectie of onderhoud uitvoert.
- Gebruik nooit benzine, wasbenzine, thinner, alcohol, enz. Dit kan leiden tot verkleuren, vervormen of barsten.

De koolborstels vervangen (zie afb. 12)

Verwijder en controleer de koolborstels regelmatig. Vervang deze wanneer ze tot aan de slijtgrensmarkering zijn afgesleten. Houd de koolborstels schoon en zorg ervoor dat ze vrij kunnen bewegen in de houders. Beide koolborstels dienen tegelijkertijd te worden vervangen. Gebruik alleen identieke koolborstels. Gebruik een schroevendraaier om de koolborsteldoppen te verwijderen. Haal de versleten koolborstels eruit, plaats de nieuwe erin, en zet de koolborsteldoppen goed vast (zie afb. 13).

Om de VEILIGHEID en BETROUWBAARHEID van het gereedschap te handhaven, dienen alle reparaties, onderhoud en afstellingen te worden uitgevoerd door een erkend Makita-servicecentrum, en altijd met gebruikmaking van originele Makita-ervangingsonderdelen.

ACCESSOIRES

⚠ LET OP:

- Deze accessoires of hulpstukken worden aanbevolen voor gebruik met het Makita-gereedschap dat in deze gebruiksaanwijzing wordt beschreven. Het gebruik van andere accessoires of hulpstukken kan gevaar voor persoonlijk letsel opleveren. Gebruik de accessoires of hulpstukken uitsluitend voor de aangegeven gebruikdoeleinden.

Mocht u meer informatie willen hebben over deze accessoires, dan kunt u contact opnemen met uw plaatselijke Makita-servicecentrum.

- Diverse types originele Makita-accu's en -acculaders
- Instelgreep
- Beschermkap
- Greepbasisset
- Handgreep 37
- Terugslagvrije kop

Geluid

ENG905-1

De typische, A-gewogen geluidsniveaus zijn gemeten volgens EN60745:

- Geluidsdrukniveau (L_{pA}): 70 dB (A) of lager
- Onzekerheid (K): 3 dB (A)

Het geluidsniveau kan tijdens gebruik hoger worden dan 80 dB (A)

Draag gehoorbescherming.

Trillingen ENG900-1

De totale trillingswaarde (triaxiale vectorsom) zoals vastgesteld volgens EN60745:

Gebruikstoepassing: boren in metaal
Trillingsemisatie ($a_{h,D}$): 2,5 m/s² of minder
Onzekerheid (K): 1,5 m/s²

ENG901-1

- De opgegeven trillingsemisatiewaarde is gemeten volgens de standaardtestmethode en kan worden gebruikt om dit gereedschap te vergelijken met andere gereedschappen.
- De opgegeven trillingsemisatiewaarde kan ook worden gebruikt voor een beoordeling vooraf van de blootstelling.

⚠ WAARSCHUWING:

- De trillingsemisatie tijdens het gebruik van het elektrisch gereedschap in de praktijk kan verschillen van de opgegeven trillingsemisatiewaarde afhankelijk van de manier waarop het gereedschap wordt gebruikt.
- Zorg ervoor dat veiligheidsmaatregelen worden getroffen ter bescherming van de operator die zijn gebaseerd op een schatting van de blootstelling onder praktijkomstandigheden (rekening houdend met alle fasen van de bedrijfscyclus, zoals de tijdsduur gedurende welke het gereedschap is uitgeschakeld en stationair draait, naast de ingeschakelde tijdsduur).

Alleen voor Europese landen ENG101-14

EU-verklaring van conformiteit

Wij, Makita Corporation, als de verantwoordelijke fabrikant, verklaren dat de volgende Makita-machine(s):

Aanduiding van de machine:

Accuschroefmachine

Modelnr./Type: BFT043F, BFT083F en BFT125F

in serie zijn geproduceerd en

Voldoen aan de volgende Europese richtlijnen:

2006/42/EC

En zijn gefabriceerd in overeenstemming met de volgende normen of genormaliseerde documenten:

EN60745

De technische documentatie wordt bewaard door onze erkende vertegenwoordiger in Europa, te weten:

Makita International Europe Ltd.,

Michigan Drive, Tongwell,

Milton Keynes, MK15 8JD, Engeland

3. 2. 2010



Tomoyasu Kato

Directeur

Makita Corporation

3-11-8, Sumiyoshi-cho,

Anjo, Aichi, JAPAN

ESPAÑOL (Instrucciones originales)

Explicación de los dibujos

- | | | |
|---|---|------------------------------|
| 1. Pieza roja | 8. Empuñadura de ajuste | 15. Punta |
| 2. Botón | 9. Anilla | 16. Camisa |
| 3. Cartucho de la batería | 10. Anilla de ajuste | 17. Pieza de punta |
| 4. Interruptor disparador | 11. Escala | 18. Marca de límite |
| 5. Palanca del interruptor de inversión | 12. Orificio para la empuñadura de ajuste | 19. Tapa del portaescobillas |
| 6. Lámpara frontal | 13. Línea amarilla | 20. Destornillador |
| 7. Indicador LED | 14. Muelle de compresión | |

ESPECIFICACIONES

Modelo		BFT043F	BFT083F	BFT125F
Par de apriete	Unión rígida	1 - 4 N•m	3 - 8 N•m	5 - 12 N•m
	Unión blanda	1 - 4 N•m	3 - 8 N•m	5 - 12 N•m
Velocidad en vacío (min ⁻¹)		80	80	150
Dimensiones (Largo x Ancho x Alto)		200 mm x 72 mm x 255 mm		
Peso neto		1,5 kg		
Tensión nominal		CC de 14,4 V		

- Debido a nuestro programa continuo de investigación y desarrollo, las especificaciones aquí descritas están sujetas a cambios sin previo aviso.
- Las especificaciones y el cartucho de la batería pueden variar de un país a otro.
- Peso, con el cartucho de la batería, de acuerdo con el procedimiento EPTA 01/2003

Uso previsto

ENE033-1

Esta herramienta está diseñada para atornillar en madera, metal y plástico.

Advertencias de seguridad generales para herramientas eléctricas

GEA010-1

⚠ ADVERTENCIA Lea todas las advertencias de seguridad y todas las instrucciones. La no observancia de las advertencias y las instrucciones puede provocar descargas eléctricas, incendios y/o lesiones graves.

Guarde todas las advertencias e instrucciones para futuras consultas.

ADVERTENCIAS DE SEGURIDAD DEL ATORNILLADOR INALÁMBRICO

GEB050-2

1. **Sujete la herramienta por las superficies de agarre aisladas al realizar una operación en que la herramienta pueda entrar en contacto con cables ocultos.** Si entra en contacto con un cable con corriente, puede que las piezas metálicas expuestas de la herramienta eléctrica se carguen también de corriente y que el operario reciba una descarga.
2. **Colóquese siempre en una posición bien equilibrada.** Si utiliza la herramienta en una ubicación elevada, asegúrese de que nadie se encuentre debajo.
3. **Sujete con fuerza la herramienta.**

4. Mantenga las manos alejadas de las partes giratorias.

5. **No toque la punta ni la pieza de trabajo inmediatamente después de la tarea; pueden estar extremadamente calientes y producir quemaduras en la piel.**

GUARDE ESTAS INSTRUCCIONES.

⚠ ADVERTENCIA:

NO deje que la comodidad o la familiaridad con el producto (a base de utilizarlo repetidamente) sustituya la estricta observancia de las normas de seguridad del producto en cuestión. El MAL USO o la no observancia de las normas de seguridad expuestas en este manual de instrucciones pueden ocasionar graves daños corporales.

INSTRUCCIONES DE SEGURIDAD IMPORTANTES

ENC007-6

PARA EL CARTUCHO DE LA BATERÍA

1. **Antes de utilizar el cartucho de la batería, lea todas las instrucciones y referencias de precaución que se encuentran en (1) el cargador de baterías, (2) la batería y (3) el producto que utiliza la batería.**
2. **No desmonte el cartucho de la batería.**
3. **Si el tiempo de funcionamiento es excesivamente corto, deje de utilizar la herramienta de inmediato. De lo contrario, existe el riesgo de**

sobrecalentamiento, quemaduras e incluso explosión.

4. **Si se produce contacto ocular con electrolito, enjuáguese los ojos con agua limpia y acuda de urgencia al médico. Corre el riesgo de perder la visión.**
5. **No cortocircuite el cartucho de la batería:**
 - (1) **No toque los terminales con material conductor.**
 - (2) **Evite guardar el cartucho de la batería en un recipiente con otros objetos metálicos, como clavos, monedas, etc.**
 - (3) **No exponga el cartucho de la batería al agua o a la lluvia.**

Un cortocircuito puede provocar un elevado flujo de corriente, sobrecalentamiento, quemaduras o incluso una avería.

6. **No almacene la herramienta ni el cartucho de la batería en lugares donde la temperatura supere los 50°C (122°F).**
7. **No queme el cartucho de la batería aunque esté gravemente dañado o completamente gastado. El cartucho de la batería puede explotar si entra en contacto con fuego.**
8. **Procure que la batería no sufra golpes ni caídas.**
9. **No utilice una batería dañada.**

GUARDE ESTAS INSTRUCCIONES.

Consejos para conseguir una mayor duración de la batería

1. **Cargue la batería antes de que se descargue por completo.**
Cuando observe que la herramienta tiene menos potencia, deje de utilizarla y cargue el cartucho de la batería.
2. **No recargue nunca un cartucho de batería completamente cargado.**
La sobrecarga acorta la vida útil de la batería.
3. **Cargue el cartucho de la batería a una temperatura ambiente que oscile entre 10°C y 40°C (50°F - 104°F). Antes de cargar un cartucho de batería caliente, deje que se enfríe.**

DESCRIPCIÓN DEL FUNCIONAMIENTO

⚠ PRECAUCIÓN:

- Antes de ajustar o de comprobar la herramienta, asegúrese siempre de que está apagada y de que la batería ha sido extraída.

Instalación o extracción del cartucho de la batería (Fig. 1)

- Apague siempre la herramienta antes de insertar o extraer el cartucho de la batería.
- Para extraer el cartucho de la batería, quítelo de la herramienta al mismo tiempo que desliza el botón situado en la parte frontal del cartucho.
- Para insertar el cartucho de la batería, alinee la lengüeta situada en el cartucho de la batería con la

ranura del alojamiento e insértela. Insértela completamente hasta que quede firmemente sujeta y se bloquee con un clic. Si puede ver la parte roja de la zona superior del botón, significa que el cartucho no está completamente bloqueado. Insértelo completamente hasta que la parte roja quede oculta. De lo contrario, el cartucho puede desprenderse accidentalmente de la herramienta y causar lesiones al operario o a alguna persona que se encuentre cerca.

- No haga fuerza al insertar el cartucho de la batería. Si no se inserta suavemente, significa que no lo está instalando correctamente.

Accionamiento del interruptor (Fig. 2)

⚠ PRECAUCIÓN:

- Antes de insertar el cartucho de la batería en la herramienta, asegúrese siempre de que el interruptor disparador funciona como es debido y que vuelve a la posición "OFF" (apagado) al soltarlo.

Para poner en marcha la herramienta, simplemente accione el interruptor disparador. Suelte el interruptor disparador para detener la herramienta.

Funcionamiento del interruptor de inversión (Fig. 3)

⚠ PRECAUCIÓN:

- Antes de trabajar, compruebe siempre la dirección del giro.
- Utilice el interruptor de inversión sólo cuando la herramienta se haya detenido por completo, ya que, de lo contrario, la herramienta podría averiarse.
- Cuando no utilice la herramienta, coloque siempre la palanca del interruptor de inversión en la posición neutral.

Esta herramienta está provista de un interruptor de inversión para cambiar la dirección de giro. Apriete la palanca del interruptor de inversión por el lado A para obtener un giro a la derecha o por el lado B para girar a la izquierda.

Cuando la palanca del interruptor de inversión está en la posición neutral, el interruptor disparador no se puede accionar.

Encendido de las luces (Fig. 4)

⚠ PRECAUCIÓN:

- No mire hacia la luz ni mire directamente hacia la fuente de luz.

Tire del interruptor disparador para encender la luz. La luz permanece encendida mientras se acciona el interruptor disparador. La luz se apaga automáticamente 10 segundos después de soltar el interruptor disparador.

NOTA:

- Utilice un paño seco para limpiar la suciedad del cristal de la lámpara. Procure no rayar el cristal de la lámpara, puesto que puede disminuir el grado de iluminación.

LED indicador (Fig. 5)

⚠ PRECAUCIÓN:

- La luz de la herramienta muestra las siguientes funciones.

Función	Estado	Estado del indicador LED/avisador acústico		Acción que debe realizarse
		Indicador LED	Avisador acústico	
Detención automática del apriete	Esta función se activa cuando la herramienta ha llegado al par de apriete preestablecido y se ha completado el apriete normal. Ayuda a evitar el apriete excesivo.	Se enciende de color verde durante aproximadamente un segundo.	—	—
Demora del rearmado	Durante aproximadamente un segundo después de la detención automática del apriete, la herramienta no se enciende aunque se accione el disparador.			
Advertencia de par de apriete insuficiente	Se ha realizado un apretado insuficiente al soltar el disparador antes de alcanzar el par de apriete preestablecido.	Se enciende de color rojo.	Una señal acústica prolongada	Vuelva a apretar el tornillo
Advertencia para la capacidad del cartucho de la batería	Indica el tiempo aproximado para reemplazar el cartucho de la batería cuando la carga de la batería está baja.	Parpadea de color rojo lentamente.	Una serie de advertencias acústicas prolongadas	Sustituya la batería con una completamente cargada
Comprobación de la capacidad de batería restante, detención automática	Esta función se activa cuando la carga de la batería casi se ha agotado. En ese caso, la herramienta se detiene inmediatamente.	Se enciende de color rojo.	Una señal acústica prolongada	Sustituya la batería con una completamente cargada
Comprobación del funcionamiento del indicador LED, la lámpara frontal y el avisador acústico	Esta función permite comprobar el correcto funcionamiento del indicador LED, de la luz y del avisador acústico cuando se inserta un cartucho de batería en la herramienta.	Se enciende primero de color verde y después, rojo. (A continuación, se enciende la luz.)	Una serie de avisos acústicos muy cortos	—
Anti-reinicialización del controlador	Esta función se activa cuando se produce una caída anómala de la tensión de la batería por algún motivo y, a continuación, se detiene la herramienta.	Parpadea de color rojo y verde alternativamente.	Una serie de advertencias acústicas breves	Sustituya la batería con una completamente cargada
Sobrecalentamiento	Esta función se activa cuando la temperatura del controlador aumenta mucho y la herramienta se detiene.	Parpadea de color rojo rápidamente.	Una serie de advertencias acústicas breves	Retire el cartucho de la batería inmediatamente y deje que la herramienta se enfríe.
Error en el accionamiento del interruptor disparador	Esta función evita la puesta en marcha inmediata de la herramienta cuando se inserta un cartucho de batería en la herramienta con el interruptor disparador pulsado.	Parpadea de color rojo y verde alternativamente.	Una serie de advertencias acústicas breves	Suelte el disparador.

Ajuste del par de apriete (Fig. 6)

Si desea atornillar tornillos para máquinas, pernos hexagonales, etc. con un par de apriete predeterminado, ajuste el par de apriete de la siguiente manera.

1. Primero extraiga el cartucho de la batería de la herramienta.
2. Afloje y retire el tornillo que fija la anilla.
3. Gire la anilla de la parte frontal de la herramienta a mano, de forma que se pueda ver un orificio debajo de la anilla.
4. Coloque el cartucho de la batería en su lugar y tire del disparador. Suéltelo para que la anilla de ajuste gire y el orificio quede visible, tal como se muestra en la ilustración. A continuación, retire el cartucho de la batería. (Fig. 7)
5. Utilice una empuñadura de ajuste opcional para ajustar el par de apriete. Inserte el perno de la empuñadura de ajuste en el orificio de la parte frontal de la herramienta. A continuación, gire la empuñadura

de ajuste en el sentido de las agujas del reloj para ajustar un par de apriete mayor y en sentido contrario a las agujas del reloj para ajustar un par de apriete menor.

6. Alinee la línea amarilla con el número deseado de la escala del par de apriete.
7. Inserte el cartucho de la batería y asegúrese de que se haya ajustado un par de apriete mediante un comprobador de par de apriete.
8. Gire la anilla de la parte frontal de la herramienta y después apriete el tornillo para fijar la anilla.

NOTA:

- Los números de la escala de par de apriete sirven de guía para ajustar el par de apriete deseado.

MONTAJE

PRECAUCIÓN:

- Asegúrese siempre de apagar la herramienta y extraer el cartucho de la batería antes de intentar realizar cualquier tipo de operación en la herramienta.

Instalación o extracción de la punta del destornillador o de la broca de vaso (Fig. 8)

Utilice sólo puntas que tengan las partes de inserción mostradas en la figura.

Para la herramienta con orificio para puntas poco profundo

A=12 mm B=9 mm	Utilice sólo este tipo de punta. Siga el procedimiento (1). (Nota) La pieza de punta no es necesaria.
-------------------	--

Para la herramienta con orificio para puntas profundo

A=17 mm B=14 mm	Para instalar estos tipos de puntas, siga el procedimiento (1).
A=12 mm B=9 mm	Para instalar estos tipos de puntas, siga el procedimiento (2). (Nota) La pieza de punta es necesaria para instalar la punta.

1. Para instalar la punta, tire de la camisa en la dirección de la flecha e inserte la punta en la camisa lo máximo posible. A continuación suelte la camisa para fijar la punta. (Fig. 9)
2. Para instalar la punta, tire de la camisa en la dirección de la flecha e inserte la pieza de punta y la broca en la camisa lo máximo posible. La pieza de punta debería insertarse en la camisa con su extremo acabado en punta hacia dentro. A continuación, suelte la camisa para fijar la punta. (Fig. 10)

Para extraer la punta, tire de la camisa en la dirección de la flecha y tire firmemente de la punta.

NOTA:

- Si la punta no se ha insertado suficientemente en la camisa, la camisa no volverá a su posición original y la punta no estará fijada. En ese caso, intente volver a insertar la punta de acuerdo con las instrucciones anteriores.

ACCIONAMIENTO

Función de atornillamiento (Fig. 11)

Coloque la punta del destornillador en la cabeza del tornillo y ejerza presión sobre la herramienta. A continuación, ponga en marcha la herramienta. Cuando se active el embrague, el motor se detendrá automáticamente. A continuación, suelte el disparador.

NOTA:

- Asegúrese de insertar la punta del destornillador en la cabeza del tornillo de forma recta, ya que, de lo contrario, el tornillo y/o la punta podrían sufrir daños.

Límites de la capacidad de apriete

Utilice la herramienta dentro de la gama de ángulo de giro hasta 360°. Si utiliza la herramienta más allá del límite

superior de este intervalo, el embrague no funcionará. La herramienta no podrá proporcionar suficiente par de apriete.

NOTA:

- El ángulo de giro hace referencia al ángulo que un tornillo/perno gira cuando la herramienta alcanza el 100% desde 50% del par de apriete.
- El uso de un cartucho de batería de temperatura condicionada en ocasiones puede proporcionar una advertencia de capacidad del cartucho de la batería mediante la luz de advertencia y el avisador acústico que hace que la herramienta se detenga inmediatamente. En ese caso, la capacidad de apriete puede ser inferior a la especificación de este manual aunque se utilice un cartucho de batería cargado.

MANTENIMIENTO

PRECAUCIÓN:

- Asegúrese de apagar siempre la herramienta y extraer el cartucho de la batería antes de intentar realizar cualquier trabajo de inspección o mantenimiento en ella.
- Nunca utilice gasolina, benceno, disolvente, alcohol o un producto similar. Se puede provocar una decoloración, una deformación o grietas.

Reemplazo de las escobillas de carbón (Fig. 12)

Extraiga y compruebe periódicamente las escobillas de carbón. Cámbielas cuando el desgaste alcance la marca de límite. Mantenga las escobillas de carbón limpias y de forma que entren libremente en el portaescobillas. Ambas escobillas de carbón deberán ser sustituidas al mismo tiempo. Utilice únicamente escobillas de carbón idénticas. Utilice un destornillador para extraer las tapas de los portaescobillas. Extraiga las escobillas de carbón gastadas, inserte las nuevas y vuelva a fijar los tapones portaescobillas. (Fig. 13)

Para conservar la SEGURIDAD y la FIABILIDAD del producto, los trabajos de reparación y otros trabajos de mantenimiento o ajuste deberán ser realizados en centros de servicio autorizados por Makita, utilizando siempre repuestos Makita.

ACCESORIOS

PRECAUCIÓN:

- Se recomienda el uso de estos accesorios o complementos con la herramienta Makita especificada en este manual. El uso de otros accesorios o complementos puede conllevar el riesgo de ocasionar daños corporales. Utilice los accesorios o complementos solamente para su fin establecido.

Si necesita cualquier ayuda para obtener más información relativa a estos accesorios, pregunte a su centro de servicio Makita local.

- Diversos tipos de baterías y cargadores originales de Makita
- Empuñadura de ajuste
- Protector
- Conjunto de base de la empuñadura
- Empuñadura 37

- Cabezal para la prevención de contragolpes

Ruido ENG905-1

Niveles típicos de ruido ponderado A determinados conforme a EN60745:

Nivel de presión de sonido (L_{pA}): 70 dB (A) o menos
Incertidumbre (K): 3 dB (A)

El nivel de ruido durante el trabajo puede superar los 80 dB (A)

Utilice protección para los oídos.

Vibración ENG900-1

Valor total de la vibración (suma de vectores triaxiales) determinado según el estándar EN60745:

Modo de trabajo: taladrado en metal
Emisión de vibraciones (a_{hD}): 2,5 m/s² o menos
Incertidumbre (K): 1,5 m/s²

ENG901-1

- El valor de emisión de vibraciones se ha medido de acuerdo con el método de prueba estándar y se puede utilizar para comparar herramientas.
- El valor de emisión de vibraciones declarado también se puede usar en una evaluación preliminar de la exposición.

⚠ ADVERTENCIA:

- La emisión de vibraciones durante el uso de la herramienta eléctrica puede diferir del valor de emisiones declarado, dependiendo de las formas en que se utiliza la herramienta.
- Asegúrese de identificar las mediciones correctas para proteger al operario, que se basan en una estimación de la exposición en condiciones de uso reales (teniendo en cuenta todas las partes del ciclo de operaciones, como los momentos en los que la herramienta está apagada y cuando funciona al ralentí además del tiempo en que está activado el interruptor).

Sólo para países europeos ENH101-14

Declaración de conformidad de la CE

Nosotros, Makita Corporation, en calidad de fabricante responsable, declaramos que las siguientes máquinas Makita:

Designación de la máquina:

Atornillador Inalámbrico

Nº de modelo/ Tipo: BFT043F, BFT083F, BFT125F

son de producción serie y

Cumplen con las siguientes Directivas europeas:

2006/42/CE

Y se han fabricado de acuerdo con los siguientes

estándares o documentos estandarizados:

EN60745

La documentación técnica la conserva nuestro representante autorizado en Europa, que es:

Makita International Europe Ltd.,
Michigan, Drive, Tongwell,
Milton Keynes, MK15 8JD, Inglaterra

3. 2. 2010



Tomoyasu Kato
Director
Makita Corporation
3-11-8, Sumiyoshi-cho,
Anjo, Aichi, JAPAN

PORTUGUÊS (Instruções de origem)

Descrição geral

- | | | |
|-----------------------------------|------------------------------------|----------------------------|
| 1. Peça vermelha | 8. Pega de ajuste | 15. Broca |
| 2. Botão | 9. Anel | 16. Manga |
| 3. Bateria | 10. Anel de ajuste | 17. Monta-brocas |
| 4. Gatilho | 11. Escala | 18. Marca limite |
| 5. Manípulo de mudança de rotação | 12. Orifício para a pega de ajuste | 19. Tampa do porta-escovas |
| 6. Lâmpada dianteira | 13. Linha amarela | 20. Chave de parafusos |
| 7. Indicador LED | 14. Mola de compressão | |

ESPECIFICAÇÕES

Modelo		BFT043F	BFT083F	BFT125F
Binário de aperto	Junta rígida	1 - 4 N•m	3 - 8 N•m	5 - 12 N•m
	Junta suave	1 - 4 N•m	3 - 8 N•m	5 - 12 N•m
Velocidade de rotação sem carga (min. ⁻¹)		80	80	150
Dimensões (C x L x A)		200 mm x 72 mm x 255 mm		
Peso líquido		1,5 kg		
Voltagem nominal		D.C. 14,4 V		

- Devido à pesquisa e desenvolvimento constantes, estas especificações estão sujeitas a alteração sem aviso prévio.
- As especificações e o cartucho da bateria podem ser diferentes consoante o país.
- Peso, com a bateria, de acordo com o procedimento EPTA de 01/2003

Utilização prevista ENE033-1
A ferramenta destina-se a aparafusar em madeira, metal e plástico.

Avisos gerais de segurança para ferramentas eléctricas

 GEA010-1

⚠ AVISO Leia todos os avisos de segurança e todas as instruções. O não cumprimento dos avisos e instruções pode resultar na ocorrência de choques eléctricos, incêndios e/ou ferimentos graves.

Guarde todos os avisos e instruções para referência futura.

AVISOS DE SEGURANÇA PARA A PARAFUSADEIRA A BATERIA

 GEA050-2

1. Quando executar operações em que a aparafusadora possa entrar em contacto com fios eléctricos ocultos, tenha o cuidado de tocar apenas nas superfícies isoladas da máquina. As máquinas de aperto que entrem em contacto com um fio eléctrico ligado à corrente podem expor as partes metálicas e causar um choque.
2. Procure uma posição em pé estável e firme. Se utilizar a ferramenta em locais altos, verifique se não há ninguém por baixo.
3. Segure bem na ferramenta.
4. Afaste as mãos das peças em movimento.
5. Não toque numa broca ou no material em que tiver estado a trabalhar logo após a operação porque podem estar demasiado quentes.

GUARDE ESTAS INSTRUÇÕES.

⚠ AVISO:
NÃO deixe que o conforto ou a familiaridade com o produto (adquirida de uma utilização frequente) substitua o respeito total pelas regras de segurança para utilização do produto. A UTILIZAÇÃO INCORRECTA ou o não cumprimento das regras de segurança fornecidas neste manual de instruções podem provocar ferimentos graves.

INSTRUÇÕES DE SEGURANÇA IMPORTANTES

 ENC007-6

RELATIVAS À BATERIA

1. Antes de utilizar a bateria, leia as instruções e chamadas de atenção de: (1) o carregador da bateria, (2) a bateria e (3) o produto que utiliza a bateria.
2. Não desmonte a bateria.
3. Se o tempo de utilização com a bateria se tornar demasiado curto, deve parar imediatamente. Se continuar, pode causar sobreaquecimento, incêndio e mesmo explosão.
4. Se o electrólito entrar em contacto com os olhos, enxágue-os com água limpa e consulte imediatamente um médico. Os riscos incluem perda de visão.
5. Não provoque um curto-circuito na bateria:
 - (1) Não deixe que quaisquer materiais condutores entrem em contacto com os terminais da bateria.
 - (2) Evite guardar a bateria juntamente com outros objectos de metal como moedas, por exemplo.
 - (3) Não exponha a bateria a água ou chuva.

Um curto-circuito na bateria pode criar uma grande carga eléctrica, sobreaquecimento, fogo e uma quebra da corrente.

6. Não guarde a ferramenta e a bateria em locais onde a temperatura possa atingir ou exceder 50°C (122°F).
7. Não incinere a bateria, nem mesmo se esta estiver irremediavelmente danificada ou completamente gasta. Pode explodir e causar um incêndio.
8. Não a deixe cair e evite o choque com outros objectos.
9. Não utilize uma bateria danificada.

GUARDE ESTAS INSTRUÇÕES.

Sugestões para o máximo de tempo de vida da bateria

1. Não espere que a bateria se gaste completamente para voltar a carregá-la. Pare a ferramenta e carregue a bateria sempre que detectar um baixo nível de energia.
2. Nunca volte a carregar uma bateria já completamente carregada. O carregamento excessivo diminui o tempo de vida das baterias.
3. Carregue a bateria em locais onde a temperatura se situe entre 10°C e 40°C (50°F - 104°F). Se a bateria estiver quente, deixe-a arrefecer antes de iniciar o carregamento.

DESCRIÇÃO DO FUNCIONAMENTO

⚠ PRECAUÇÃO:

- Certifique-se sempre de que a ferramenta está desligada e que a bateria foi removida antes de proceder a ajustes ou testar acessórios.

Inserir ou retirar a bateria (Fig. 1)

- Sempre que for inserir ou retirar a bateria, desligue a ferramenta.
- Para retirar a bateria, puxe-a para fora ao mesmo tempo que desliza o botão localizado na parte frontal.
- Para inserir a bateria, alinhe a respectiva saliência com a calha do compartimento e encaixe-a suavemente. Insira-a completamente até fixar em posição com um clique. Se ainda estiver visível a peça vermelha na parte superior do botão, não estará bem encaixada. Insira-a completamente, até deixar de ver a peça vermelha. Caso contrário, pode cair da ferramenta e

causar ferimentos em si, ou em alguém que esteja perto de si.

- Não exerça força ao inserir a bateria. Se não encaixar facilmente é porque não está correctamente posicionada.

O gatilho/interruptor (Fig. 2)

⚠ PRECAUÇÃO:

- Antes de inserir a pilha na ferramenta, verifique se o gatilho está a funcionar correctamente e se regressa à posição "OFF" quando o solta.

Para pôr a ferramenta a funcionar, prima o gatilho. Para parar a ferramenta, solte o gatilho.

Inverter a direcção da rotação (Fig. 3)

⚠ PRECAUÇÃO:

- Verifique sempre a direcção da rotação antes da operação.
- Este interruptor deve ser utilizado apenas quando a ferramenta estiver completamente parada. Se alterar a direcção da rotação antes da ferramenta ter parado pode avariá-la.
- Quando a ferramenta não estiver a funcionar coloque o interruptor na posição neutra.

Esta ferramenta tem um interruptor que permite inverter a direcção da rotação. Rode o interruptor a partir da posição A no sentido dos ponteiros do relógio, ou a partir da posição B no sentido contrário ao dos ponteiros do relógio.

Se o interruptor estiver na posição neutra, o gatilho não poderá ser premido.

Acender as lâmpadas (Fig. 4)

⚠ PRECAUÇÃO:

- Não olhe directamente para a luz da ferramenta. Para a acender prima o gatilho. A lâmpada manter-se-á acesa enquanto o gatilho for premido. A luz apaga-se automaticamente após 10 segundos depois de o gatilho ser libertado.

NOTA:

- Para limpar a lâmpada, utilize um tecido seco. Tenha cuidado para não riscar a lente da lâmpada, pois poderia diminuir a intensidade da iluminação.

Indicador LED (Fig. 5)

⚠ PRECAUÇÃO:

- A lâmpada na ferramenta mostra as funções seguintes.

Função	Estado	Estado do indicador LED/aviso sonoro		Acção a efectuar
		Indicador LED	Aviso sonoro	
Aperto de paragem automática	Esta função funciona quando a ferramenta tiver atingido o binário de aperto predefinido e o aperto normal tiver sido concluído. Isto ajuda a evitar um aperto excessivo.	Acende-se a verde durante aproximadamente um segundo.	—	—
Rearranque atrasado	Durante aproximadamente um segundo após o aperto de paragem automática, a ferramenta não arranca, mesmo que puxe o gatilho.			

Função	Estado	Estado do indicador LED/aviso sonoro		Acção a efectuar
		Indicador LED	Aviso sonoro	
Aviso contra aperto insuficiente	Foi efectuado um aperto insuficiente quando o gatilho tiver sido libertado antes de atingir o binário de aperto predefinido.	Acende-se a vermelho.	Um aviso sonoro longo	Volte a apertar o parafuso
Aviso para a capacidade da bateria	Isto indica o tempo adequado para substituir a bateria quando a carga da bateria estiver fraca.	Fica intermitente lento a vermelho.	Uma série de avisos sonoros longos	Substitua a bateria por uma totalmente carregada
Verificar a capacidade restante da bateria, paragem automática	Esta função é activada quando a carga da bateria está praticamente gasta. A este ponto, a ferramenta pára imediatamente.	Acende-se a vermelho.	Um aviso sonoro longo	Substitua a bateria por uma totalmente carregada
Verifique o funcionamento do indicador LED, luz e aviso sonoro	Esta função permite verificar o funcionamento correcto do indicador LED, luz e aviso sonoro quando tiver sido inserida uma bateria na ferramenta.	Acende-se primeiro a verde, de seguida, a vermelho. (e a luz acende-se.)	Uma série de avisos sonoros muito curtos	—
Anti-reiniciação do controlador	Esta função detecta quando ocorre uma queda anormal da tensão da bateria e a ferramenta pára.	Fica intermitente a vermelho e verde, alternadamente.	Uma série de avisos sonoros curtos	Substitua a bateria por uma totalmente carregada
Sobreaquecimento	Esta função detecta quando a temperatura do controlador sobe muito, e a ferramenta pára.	Fica intermitente rapidamente a vermelho.	Uma série de avisos sonoros curtos	Retire imediatamente a bateria e deixe a ferramenta arrefecer.
Erro de funcionamento do gatilho	Esta função evita que a ferramenta ligue imediatamente depois de inserir a bateria na ferramenta ao puxar o gatilho.	Fica intermitente a vermelho e verde, alternadamente.	Uma série de avisos sonoros curtos	Liberte o gatilho.

Ajuste da torção (Fig. 6)

Quando pretender introduzir parafusos de máquina, parafusos sextavados, etc. com o binário pré-determinado, regule o binário de aperto da seguinte forma.

1. Retire primeiro a bateria da ferramenta.
2. Solte e retire o parafuso que fixa o anel.
3. Rode manualmente o anel na frente da ferramenta, de forma a que possa ser visto um orifício abaixo do anel.
4. Coloque a bateria no respectivo alojamento e puxe o gatilho. Solte de forma a que o anel de ajuste rode e o orifício fique visível, tal como ilustrado. E, de seguida, retire a bateria. (Fig. 7)
5. Utilize uma pega de ajuste opcional para ajustar o binário de aperto. Insira o pino da pega de ajuste no orifício na frente da ferramenta. De seguida, rode a pega de ajuste para a direita para definir um maior binário de aperto e para a esquerda para definir um binário de aperto mais pequeno.
6. Alinhe a linha amarela com o seu nome pretendido na escala do binário de aperto.
7. Insira a bateria e certifique-se de que foi configurado um binário de aperto utilizando um dispositivo de teste do binário de aperto.
8. Rode o anel na frente da ferramenta e volte a apertar o parafuso para fixar o anel.

NOTA:

- Os números na escala do binário de aperto constituem uma orientação para configurar o binário de aperto pretendido.

MONTAGEM

⚠ PRECAUÇÃO:

- Certifique-se sempre de que a ferramenta está desligada e a bateria removida, antes de efectuar qualquer operação na ferramenta.

Instalar ou retirar brocas ou brocas-chave (Fig. 8)

Utilize apenas brocas com uma parte de inserção mostrada na figura.

Para ferramentas com um orifício de broca raso

A=12 mm B=9 mm	Utilize apenas estes tipos de broca. Siga o procedimento (1). (Nota) Não é necessário um monta-brocas.
-------------------	---

Para ferramentas com um orifício de broca profundo

A=17 mm B=14 mm	Para montar estes tipos de brocas, siga o procedimento (1).
A=12 mm B=9 mm	Para montar estes tipos de brocas, siga o procedimento (2). (Nota) É necessário um monta-brocas para instalar a broca.

1. Para instalar a ponta, puxe a manga na direcção da seta e insira a ponta na manga o máximo possível. De seguida, solte a manga para fixar a ponta. (Fig. 9)
2. Para instalar a ponta, puxe a manga na direcção da seta e insira o monta-brocas e a broca na manga o máximo possível. O monta-brocas deve ser inserido na manga com a extremidade pontiaguda virada para

dentro. De seguida, solte a manga para fixar a broca. (Fig. 10)

Para remover a broca, puxe a manga na direcção da seta e puxe a broca para fora com firmeza.

NOTA:

- Se a ponta não estiver suficientemente inserida na manga, esta não volta à posição original e a ponta não fica segura. Neste caso, tente inserir novamente a ponta de acordo com as instruções acima.

FUNCIONAMENTO

Função de aparafusamento (Fig. 11)

Coloque o acessório de chave de fendas e aperte. De seguida, ligue a ferramenta. Quando a embraiagem for activada, o motor parará automaticamente. Depois, solte o gatilho do interruptor.

NOTA:

- Certifique-se de que o acessório está bem colocado, para que não se danifique.

Limites da capacidade de aperto

Utilize a ferramenta dentro da gama do ângulo de rotação até 360°. Se utilizar a ferramenta para lá do limite superior desta gama, a embraiagem não funciona. E a ferramenta não é capaz de fornecer um binário de aperto suficiente.

NOTA:

- O ângulo de rotação significa o ângulo em que um parafuso roda quando a ferramenta atinge 100% dos 50% do binário pretendido.
- A utilização de uma bateria de baixa temperatura condicionada pode, por vezes, avisar sobre a capacidade da bateria, através da lâmpada de aviso e aviso sonoro, o que faz a ferramenta parar imediatamente. Neste caso, a capacidade de aperto pode ser inferior à especificação neste manual, mesmo que seja utilizada uma bateria carregada.

MANUTENÇÃO

⚠ PRECAUÇÃO:

- Certifique-se sempre de que a ferramenta está desligada e a bateria removida antes de efectuar operações de inspecção ou de manutenção.
- Nunca utilize gasolina, benzina, diluente, álcool ou semelhante. Podem formar-se descolorações, deformações ou fissuras.

Substituir as escovas de carvão (Fig. 12)

Remova e verifique regularmente as escovas de carvão. Substitua-as quando o desgaste atingir a marca limite. Mantenha-as limpas para poderem deslizar no porta-escovas. Substitua as duas ao mesmo tempo. Utilize unicamente escovas de carvão idênticas. Utilize uma chave de parafusos para remover as tampas do porta-escovas. Retire as escovas usadas, coloque umas novas e fixe as tampas do porta-escovas. (Fig. 13) Para manter os níveis de SEGURANÇA e FIABILIDADE definidos para este produto, as reparações e os procedimentos de manutenção ou ajustes devem ser executados por centros de assistência Makita

autorizados, utilizando sempre peças de substituição Makita.

ACESSÓRIOS

⚠ PRECAUÇÃO:

- Os seguintes acessórios ou extensões são os recomendados para utilizar com a ferramenta Makita especificada neste manual. A utilização de quaisquer outros acessórios poderá representar um risco de ferimento para as pessoas. Apenas utilize o acessório para o fim indicado.

Se precisar de informações adicionais relativas aos acessórios, contacte o centro local de assistência Makita.

- Vários tipos de baterias e carregadores Makita genuínos
- Pega de ajuste
- Protector
- Conjunto da base de pega
- Pega 37
- Cabeça anti-recuo

Ruído

ENG905-1

Os níveis acústicos ponderados A típicos foram determinados segundo a EN60745:

Nível de pressão sonora (L_{pA}): 70 dB (A) ou menos
Incerteza (K): 3 dB (A)

O nível de ruído quando em funcionamento pode exceder os 80 dB (A)

Use protecção para os ouvidos.

Vibração

ENG900-1

O valor total da vibração (soma triaxial de vectores) foi determinado segundo a EN60745:

Modo de trabalho: perfuração em metal
Emissão de vibração ($a_{h,D}$): 2,5 m/s² ou menos
Incerteza (K): 1,5 m/s²

ENG901-1

- O valor da emissão de vibração declarado foi medido de acordo com o método de teste padrão e pode ser utilizado para comparar uma ferramenta com outra.
- O valor da emissão de vibração declarado pode também ser utilizado numa avaliação preliminar de exposição.

⚠ AVISO:

- A emissão de vibração durante a utilização real da ferramenta eléctrica pode ser diferente do valor de emissão declarado, dependendo da forma como a ferramenta é utilizada.
- Certifique-se de que identifica medidas de segurança, para proteger o operador, que são baseadas numa estimativa de exposição nas condições reais de utilização (tendo em conta todas as partes do ciclo de funcionamento, como as vezes que a ferramenta é desligada e quando está a trabalhar ao ralenti, além do tempo de utilização).

Apenas para os países europeus

ENH101-14

Declaração de conformidade CE

A Makita Corporation, na qualidade do fabricante responsável, declara que a(s) máquina(s) Makita seguinte(s):

Designação da máquina:

Parafusadeira a Bateria

N.º de modelo/Tipo: BFT043F, BFT083F, BFT125F

são produzidas em série e
**estão em conformidade com as Directivas Europeias
seguintes:**

2006/42/EC

E são fabricadas de acordo com as normas ou os
documentos padronizados seguintes:

EN60745

A documentação técnica é mantida pelo nosso
representante autorizado na Europa, que é:

Makita International Europe Ltd.,
Michigan, Drive, Tongwell,
Milton Keynes, MK15 8JD, Inglaterra

3. 2. 2010



Tomoyasu Kato
Director
Makita Corporation
3-11-8, Sumiyoshi-cho,
Anjo, Aichi, JAPAN

DANSK (Originalvejledning)

Forklaring til generel oversigt

1. Rød del	8. Justeringsgreb	15. Bit
2. Knap	9. Ring	16. Muffe
3. Batteripakke	10. Justeringsring	17. Bitstykke
4. Afbryderkontakt	11. Skala	18. Slidgrænse
5. Omløbsvælger	12. Hul til justeringsgreb	19. Kulholderdæksel
6. Forlampe	13. Gul linje	20. Skruetrækker
7. LED-indikator	14. Trykfeder	

SPECIFIKATIONER

Model		BFT043F	BFT083F	BFT125F
Drejningsmoment	Kraftig iskruning	1 - 4 N•m	3 - 8 N•m	5 - 12 N•m
	Let iskruning	1 - 4 N•m	3 - 8 N•m	5 - 12 N•m
Hastighed uden belastning (min ⁻¹)		80	80	150
Mål (L x B x H)		200 mm x 72 mm x 255 mm		
Nettovægt		1,5 kg		
Nominel spænding		14,4 V DC		

- På grund af vores løbende forsknings- og udviklingsprogram kan specifikationerne heri ændres uden forudgående varsel.
- Specifikationerne og batteripakken kan variere fra land til land.
- Vægt, inklusive batteripakken, i henhold til EPTA-Procedure 01/2003

Tilsigtet brug ENE033-1

Maskinen er beregnet til skruning i træ, metal og plastik.

Generelle sikkerhedsadvarsler for maskiner

GEA010-1

⚠ ADVARSEL Læs alle sikkerhedsadvarsler og alle instruktioner. Hvis De ikke følger alle advarsler og instruktioner, kan det medføre elektrisk stød, brand og/eller alvorlig personskade.

Gem alle advarsler og instruktioner til senere reference.

SIKKERHEDSADVARSLER FOR AKKU-SKRUEMASKINE

GEB050-2

1. Hold maskiner i de isolerede gribeblader, når du udfører arbejde, hvor befæstelselementet kan komme i kontakt med skjulte ledninger. Hvis befæstelselementer kommer i kontakt med en strømførende ledning, kan udsatte metaldele på maskinen blive strømførende, hvorved operatøren muligvis kan få elektrisk stød.
2. Sørg altid for at have et solidt fodfæste. Sørg for, at der ikke er nogen under dig, når du benytter maskinen på højtliggende steder.
3. Hold godt fast i maskinen.
4. Hold hænderne på afstand af roterende dele.
5. Berør ikke bittene eller arbejdsemnet umiddelbart efter brugen. De kan være meget varme og kan forårsage forbrændinger af huden.

GEM DISSE INSTRUKTIONER.

⚠ ADVARSEL:

LAD IKKE tryghed eller kendskab til produktet (fra gentagen brug) føre til, at du ikke strengt overholder sikkerhedsreglerne for det gældende produkt. MISBRUG eller manglende overholdelse af sikkerhedsreglerne i denne brugsanvisning kan medføre alvorlig personskade.

VIGTIGE SIKKERHEDSINSTRUKTIONER

ENC007-6

FOR BATTERIPAKKEN

1. Før brugen af batteripakken skal du læse alle instruktioner og advarsler på (1) batteriopladeren, (2) batteriet og (3) det produkt, som batteriet anvendes i.
2. Skil ikke batteripakken ad.
3. Hvis driftstiden bliver betydeligt kortere, skal du straks ophøre med brugen. Brug kan medføre risiko for overophedning, risiko for forbrændinger eller endog eksplosion.
4. Hvis du får elektrolyt i øjnene, skal du med det samme rense øjnene med rent vand og søge læge. Dette kan medføre tab af synet.
5. Kortslut ikke batteripakken:
 - (1) Undgå at røre ved terminalerne med ledende materiale.
 - (2) Undgå at opbevare batteripakken i en beholder med andre metalgenstande som f.eks. søm, mønter osv.
 - (3) Udsæt ikke batteripakken for vand eller regn.

Hvis batteriet kortsluttes, kan det medføre voldsom strøm, overophedning, mulige forbrændinger og endog nedbrud.

6. Undgå at opbevare værktøjet og batteripakken på steder, hvor temperaturen kan komme op på eller overstige 50°C.
7. Sæt ikke ild til batteripakken, selvom den er alvorligt beskadiget eller helt udtjent. Batteripakken kan eksplodere ved brand.
8. Undgå at tabe eller slå på batteriet.
9. Undlad brug af et beskadiget batteri.

GEM DISSE INSTRUKTIONER.

Tips til, hvordan du forlænger batteriets levetid

1. Oplad batteripakken, før den bliver helt afladet. Ophør med at bruge værktøjet, og udskift batteripakken, hvis strømmen til værktøjet aftager.
2. Oplad aldrig en fuldt opladet batteripakke. Overopladning forkorter batteriets levetid.
3. Oplad batteripakken ved stuetemperatur på 10°C - 40°C. Lad batteripakken køle ned før den oplades, hvis den er varm.

FUNKTIONSBESKRIVELSE

⚠ FORSIGTIG:

- Sørg altid for, at maskinen er slukket, og at batteripakken er taget ud, før du justerer maskinen eller kontrollerer dens funktion.

Isætning eller udtagning af batteripakken (Fig. 1)

- Sluk altid for maskinen, før du monterer eller afmonterer batteripakken.
- Ved afmontering af batteripakken trækkes den ud af maskinen, mens der trykkes på knappen foran på pakken.
- Ved isætning af batteripakken justeres tungen på batteripakken med rillen i huset, hvorefter pakken skubbes på plads. Sæt den altid hele vejen ind, indtil den låses på plads med et lille klik. Hvis den røde del øverst på knappen er synlig, er batteripakken ikke låst helt fast. Sæt den helt ind, indtil den røde del ikke er

synlig. Ellers kan den falde ud af maskinen og skade dig eller andre personer i nærheden.

- Brug ikke magt ved isætning af batteripakken. Hvis den ikke glider let ind, er den ikke indsat korrekt.

Betjening af afbryderkontakt (Fig. 2)

⚠ FORSIGTIG:

- Før batteripakken sættes i maskinen, skal du altid kontrollere, at afbryderkontakten reagerer korrekt og vender tilbage i "OFF"-stillingen, når du slipper den.

Før at starte maskinen skal du blot trykke på afbryderkontakten. Slip afbryderkontakten for at stoppe.

Betjening af omløbsvælger (Fig. 3)

⚠ FORSIGTIG:

- Kontroller altid omløbsretningen før anvendelsen.
- Betjen ikke omløbsvælgeren, før maskinen er helt stoppet. Hvis omløbsretningen ændres, inden maskinen er helt stoppet, kan det beskadige maskinen.
- Sæt altid omløbsvælgeren i neutral stilling, når maskinen ikke anvendes.

Maskinen har en omløbsvælger til ændring af omløbsretningen. Tryk omløbsvælgeren mod A-siden for rotation med uret eller mod B-siden for rotation mod uret. Når omløbsvælgeren er i neutral stilling, kan afbryderkontakten ikke trækkes ind.

Tænding af lamperne (Fig. 4)

⚠ FORSIGTIG:

- Se ikke direkte ind i lyset eller lyskilden. Træk i afbryderkontakten for at tænde lampen. Lampen forbliver tændt, så længe der trækkes i afbryderkontakten. Lyset slukkes automatisk 10 sekunder efter, at afbryderkontakten slippes.

BEMÆRK:

- Benyt en tør klud til at tørre snavs af lampens linse. Pas på ikke at ridse lampens linse, da det kan mindske lysstyrken.

LED-indikator (Fig. 5)

⚠ FORSIGTIG:

- Lampen på maskinen viser følgende funktioner.

Funktion	Status	Status af LED-indikator/bipper		Afhjælpning
		LED-indikator	Bipper	
Automatisk stop af fastspænding	Denne funktion aktiveres, når maskinen har nået det forindstillede drejningsmoment, og normal fastspænding er fuldført. Dette hjælper til at undgå overiskrning.	Lyser grønt i cirka et sekund.	—	—
Forsinket genstart	I cirka et sekund efter automatisk stop af fastspænding vil maskinen ikke starte, selv om der trykkes på afbryderkontakten.			
Advarsel mod utilstrækkelig fastspænding	Der er ikke blevet udført tilstrækkelig fastspænding, da afbryderkontakten blev sluppet, før det forindstillede drejningsmoment blev opnået.	Lyser rødt.	En lang biplyd	Spænd skruen til igen

Funktion	Status	Status af LED-indikator/bipper		Afhjælpning
		LED-indikator	Bipper	
Advarsel for batteripakkens kapacitet	Dette angiver det passende tidspunkt for udskiftning af batteripakken, når batteriets strømstyrke sænkes.	Blinker langsomt rødt.	En serie af lange biplyde	Udskift batteriet med et fuldt opladet batteri
Kontrol af resterende batterikapacitet, automatisk stop	Denne funktion aktiveres, når strømmen på batteriet næsten er brugt op. På dette tidspunkt stopper maskinen øjeblikkeligt.	Lyser rødt.	En lang biplyd	Udskift batteriet med et fuldt opladet batteri
Kontrol af LED-indikator-, lampe- og bipperfunktion	Denne funktion kontrollerer den korrekte funktion af LED-indikatoren, lampen og bipperen, når der er sat en batteripakke i maskinen.	Lyser først grønt, derefter rødt. (Derefter tændes lampen.)	En serie meget korte biplyde	—
Anti-nulstilling af kontrolanordning	Denne funktion aktiveres, når der af en eller anden grund indtræffer et unormalt fald i batterispændingen, og maskinen stopper.	Blinker skiftevis rødt og grønt.	En serie af korte biplyde	Udskift batteriet med et fuldt opladet batteri
Overophedning	Denne funktion aktiveres, når kontrolanordningens temperatur stiger kraftigt, og maskinen stopper.	Blinker hurtigt rødt.	En serie af korte biplyde	Tag øjeblikkeligt batteripakken ud og lad maskinen køle af.
Betjeningsfejl med afbryderkontakten	Denne funktion aktiveres for at forhindre, at maskinen starter i det øjeblik, hvor man sætter batteripakken ind i maskinen, samtidig med at man trykker på afbryderkontakten.	Blinker skiftevis rødt og grønt.	En serie af korte biplyde	Slip afbryderkontakten.

Justering af drejningsmomentet (Fig. 6)

Når du ønsker at iskrue maskinskruer, sekskantbolte m.v. med et forudindstillet drejningsmoment, justeres drejningsmomentet som følger.

1. Tag først batteripakken ud af maskinen.
2. Løs og fjern den skrue, der holder ringen på plads.
3. Drej ringen forrest på maskinen med hånden, indtil der ses et hul under ringen.
4. Sæt batteripakken i og tryk på afbryderkontakten. Slip afbryderkontakten, således at justeringsringen drejer, og hullet bliver synligt som vist. Tag derefter batteripakken ud. (Fig. 7)
5. Anvend et justeringsgreb (ekstraudstyr) til at indstille drejningsmomentet. Indsæt stiften på justeringsgrebet i hullet forrest på maskinen. Drej derefter justeringsgrebet med uret for at indstille et højere drejningsmoment, og mod uret for at indstille et mindre drejningsmoment.
6. Ret den gule linje ind efter det ønskede tal på skalaen for drejningsmoment.
7. Sæt batteripakken i, og benyt en momenttester til at kontrollere, at det korrekte drejningsmoment er blevet indstillet.
8. Drej ringen foran på maskinen, og stram skruen til for at holde ringen på plads.

BEMÆRK:

- Tallene på skalaen for drejningsmoment er ment som vejledende til hjælp ved indstilling af det ønskede drejningsmoment.

MONTERING

⚠ FORSIGTIG:

- Sørg altid for, at maskinen er slukket, og at batteripakken er taget ud, før du udfører nogen form for arbejde på maskinen.

Montering eller afmontering af skruebit eller topbit (Fig. 8)

Brug kun bits der har samme monteringsstykke som vist på figuren.

Til maskine med lille bithul

A=12 mm B=9 mm	Brug kun disse typer bits. Følg fremgangsmåde (1). (Bemærk) Bitstykke er ikke nødvendigt.
-------------------	--

Til maskine med dybt bithul

A=17 mm B=14 mm	For at montere disse typer bits følges fremgangsmåde (1).
A=12 mm B=9 mm	For at montere disse typer bits følges fremgangsmåde (2). (Bemærk) Bitstykke er nødvendigt for installation af bitten.

1. Træk muffen i pilens retning, og sæt bitten så langt ind i muffen, som den kan komme, for at montere bitten. Slip derefter muffen for at låse bitten fast. (Fig. 9)
2. Træk muffen i pilens retning, og sæt bitstykke og bitten så langt ind i muffen, som de kan komme, for at montere bitten. Bitstykket skal sættes ind i muffen med den spidse ende vendende indad. Slip derefter muffen for at låse bitten fast. (Fig. 10)

For at tage bitten ud skal du trække muffen i pilens retning, og trække bitten helt ud.

BEMÆRK:

- Hvis bitten ikke sidder langt nok ind i muffen, kan muffen ikke vende tilbage i den oprindelige position, og bitten vil ikke sidde fast. Prøv i så fald at sætte bitten ind igen i overensstemmelse med ovenstående instruktioner.

BETJENING

Betjening som skruetrækker (Fig. 11)

Placer spidsen af skrubitten i skruetoppen, og tryk med maskinen. Tænd derefter for maskinen. Når koblingen går i indgreb, stopper motoren automatisk. Slip derefter afbryderkontakten.

BEMÆRK:

- Sørg for, at skrubitten sættes lige ned i skruetoppen. I modsat fald kan skruen og/eller bitten blive beskadiget.

Grænser for fastspændingskapacitet

Anvend maskinen inden for et omdrejningsvinkelområde på op til 360°. Hvis den øvre grænse for dette område overskrides ved anvendelsen af maskinen, fungerer koblingen ikke. Desuden vil maskinen ikke kunne yde tilstrækkeligt drejningsmoment.

BEMÆRK:

- Omdrejningsvinklen henviser til den vinkel, som en skrue/bolt drejer, når maskinen opnår 100% fra 50% af det ønskede drejningsmoment.
- Anvendelse af en batteripakke med en meget lav temperatur kan sommetider udløse en advarsel om batteripakkens kapacitet via aktivering af advarselslampe og biplyd, hvilket får maskinen til at stoppe øjeblikkeligt. I dette tilfælde kan fastspændingskapaciteten blive mindre end angivelsen i denne brugsanvisning, også selv om der anvendes en opladet batteripakke.

VEDLIGEHOLDELSE

⚠ FORSIGTIG:

- Sørg altid for, at maskinen er slukket, og at batteripakken er taget ud, før du forsøger at udføre inspektion eller vedligeholdelse.
- Brug aldrig benzin, benzen, fortynder, alkohol eller lignende. Det kan muligvis medføre misfarvning, deformation eller revner.

Udskiftning af kulbørsterne (Fig. 12)

Tag regelmæssigt kulbørsterne af, og efterse dem. Udskift dem, når de er nedslidte til slidgrænsen. Hold kulbørsterne rene og frie til at glide i holderne. Begge kulbørster skal udskiftes samtidig. Brug altid identiske kulbørster. Brug en skruetrækker til at fjerne kulholderdækslerne. Tag de udslidte kulbørster ud, monter de nye, og fastgør kulholderdækslerne. (Fig. 13) For at holde produktet SIKKERT og PÅLIDELIGT skal reparationer samt al anden vedligeholdelse eller justering udføres af autoriserede Makita-servicecentre, og der skal altid benyttes Makita-reservedele.

TILBEHØR

⚠ FORSIGTIG:

- Dette tilbehør eller ekstraudstyr anbefales til brug med det Makita-værktøj, som er beskrevet i denne brugsanvisning. Brug af andet tilbehør eller ekstraudstyr kan forårsage personskade. Brug kun

tilbehør eller ekstraudstyr til det formål, det er beregnet til.

Henvend dig til dit lokale Makita-servicecenter, hvis du har brug for hjælp eller yderligere oplysninger vedrørende tilbehøret.

- Forskellige typer af originale batterier og opladere fra Makita
- Justeringsgreb
- Beskytter
- Grebbasesæt
- Greb 37
- Hoved til forhindring af tilbageslag

Støj

ENG905-1

Det typiske A-vægtede støjniveau bestemt i overensstemmelse med EN60745:

Lydtryksniveau (L_{pA}): 70 dB (A) eller mindre
Usikkerhed (K): 3 dB (A)

Støjniveauet under arbejdet kan overskride 80 dB (A)

Bær høreværn.

Vibration

ENG900-1

Den samlede vibrationsværdi (treaksiel vektorsum) bestemt i overensstemmelse med EN60745:

Arbejdstilstand: boring i metal
Vibrationsemission ($a_{n,D}$): 2,5 m/s² eller mindre
Usikkerhed (K): 1,5 m/s²

ENG901-1

- Den opgivne vibrationsemissionsværdi er målt i overensstemmelse med standardtestmetoden og kan bruges til at sammenligne et værktøj med et andet.
- Den opgivne vibrationsemissionsværdi kan muligvis også bruges til en indledende eksponeringsvurdering.

⚠ ADVARSEL:

- Vibrationsemissionen under den faktiske brug af maskinen kan afvige fra den opgivne emissionsværdi afhængigt af den måde, maskinen anvendes på.
- Sørg for at bestemme sikkerhedsforanstaltninger for beskyttelse af operatøren, som er baseret på en eksponeringsvurdering for brug under faktiske forhold (hvor alle anvendelsescyklussens dele inddrages, som f.eks. antal gange maskinen slukkes, og når den kører i tomgang ud over triggeriden).

Kun for europæiske lande

ENH101-14

EF-overensstemmelseserklæring

Vi, Makita Corporation, erklærer som ansvarlig producent at følgende Makita-maskine(r):

Maskinens betegnelse:

Akku-skruemaskine

Modelnummer/ type: BFT043F, BFT083F, BFT125F

er en produktionsserie og

Overholder følgende europæiske direktiver:

2006/42/EF

Og er produceret i overensstemmelse med følgende standarder eller standardiserede dokumenter:

EN60745

Den tekniske dokumentation findes hos vores
autoriserede repræsentant i Europa:
Makita International Europe Ltd.,
Michigan, Drive, Tongwell,
Milton Keynes, MK15 8JD, England

3. 2. 2010



Tomoyasu Kato
Direktør
Makita Corporation
3-11-8, Sumiyoshi-cho,
Anjo, Aichi, JAPAN

ΕΛΛΗΝΙΚΑ (Πρωτογενείς οδηγίες)

Γενική περιγραφή

- | | | |
|--------------------------------|--------------------------------------|-------------------------|
| 1. Κόκκινο τμήμα | 8. Προσαρμοστική λαβή | 15. Αιχμή |
| 2. Κουμπί | 9. Δακτύλιος | 16. Μανίκι |
| 3. Κασέτα μπαταρίας | 10. Προσαρμοστικός δακτύλιος | 17. Τεμάχιο αιχμής |
| 4. Σκανδάλη διακόπτης | 11. Κλίμακα | 18. Ένδειξη ορίου |
| 5. Μοχλός διακόπτη αντιστροφής | 12. Τρύπα για την προσαρμοστική λαβή | 19. Καπάκιθήκης ψήκτρας |
| 6. Εμπρόσθιο λαμπάκι | 13. Κίτρινη γραμμή | 20. Καταβαδί |
| 7. Ενδεικτική λυχνία | 14. Ελατήριο συμπίεσης | |

ΠΡΟΔΙΑΓΡΑΦΕΣ

Μοντέλο		BFT043F	BFT083F	BFT125F
Ροπή σύσφιξης	Σκληρός σύνδεσμος	1 - 4 N•m	3 - 8 N•m	5 - 12 N•m
	Μαλακός σύνδεσμος	1 - 4 N•m	3 - 8 N•m	5 - 12 N•m
Ταχύτητα χωρίς φορτίο (min ⁻¹)		80	80	150
Διαστάσεις (Μ x Π x Υ)		200 mm x 72 mm x 255 mm		
Καθαρό βάρος		1,5 kg		
Ονομαστική τιμή τάσης		D.C. 14,4 V		

- Λόγω του συνεχόμενου προγράμματος που εφαρμόζουμε για έρευνα και ανάπτυξη, τα τεχνικά χαρακτηριστικά στο παρόν έντυπο υπόκεινται σε αλλαγή χωρίς προειδοποίηση.
- Τα τεχνικά χαρακτηριστικά και η μπαταρία ενδέχεται να διαφέρουν από χώρα σε χώρα.
- Βάρος μαζί με την μπαταρία σύμφωνα με τη διαδικασία της ΕΡΤΑ 01/2003

Προοριζόμενη χρήση

ENE033-1

Το εργαλείο προορίζεται για βίδωμα σε ξύλο, μέταλλο και πλαστικό.

Γενικές Προειδοποιήσεις Ασφαλείας Του Ηλεκτρικού Εργαλείου

GEA010-1

⚠ ΠΡΟΕΙΔΟΠΟΙΗΣΗ Διαβάστε όλες τις προειδοποιήσεις ασφαλείας και όλες τις οδηγίες. Αν δεν ακολουθήσετε όλες τις προειδοποιήσεις και τις οδηγίες, υπάρχει κίνδυνος ηλεκτροπληξίας, πυρκαγιάς ή/και σοβαρού τραυματισμού.

Φυλάξτε όλες τις προειδοποιήσεις και τις οδηγίες για μελλοντική αναφορά.

ΠΡΟΕΙΔΟΠΟΙΗΣΕΙΣ ΑΣΦΑΛΕΙΑΣ ΚΑΤΣΑΒΙΔΙΟΥ ΜΠΑΤΑΡΙΑΣ

GEB050-2

1. Να κρατάτε το ηλεκτρικό εργαλείο από τις μονωμένες λαβές όταν εκτελείτε εργασίες κατά τις οποίες ο σφικτήρας μπορεί να έρθει σε επαφή με κρυμμένα καλώδια. Αν οι σφικτήρες έρθουν σε επαφή με κάποιο ηλεκτροφόρο καλώδιο, τα εκτεθειμένα μεταλλικά μέρη του ηλεκτρικού εργαλείου θα γίνουν κι αυτά ηλεκτροφόρα και μπορεί να προκληθεί ηλεκτροπληξία στο χειριστή.
2. Να βεβαιώνετε πάντοτε ότι στέκεστε σταθερά. Όταν χρησιμοποιείτε το εργαλείο σε υψηλές

τοποθεσίες, να βεβαιώνετε ότι δεν βρίσκεται κανένας από κάτω.

3. Να κρατάτε το εργαλείο σταθερά.
4. Μην πλησιάζετε τα χέρια σας στα περιστρεφόμενα μέρη.
5. Μην αγγίζετε την αιχμή ή το τεμάχιο εργασίας αμέσως μετά τη λειτουργία του εργαλείου. Μπορεί να είναι εξαιρετικά θερμά και να προκληθεί έγκαυμα στο δέρμα σας.

ΦΥΛΑΞΤΕ ΑΥΤΕΣ ΤΙΣ ΟΔΗΓΙΕΣ.

⚠ ΠΡΟΕΙΔΟΠΟΙΗΣΗ:

ΜΗΝ επιτρέψετε στη βολικότητα ή στην εξοικειωσή σας με το προϊόν (που αποκτήθηκε από επανειλημμένη χρήση) να αντικαταστήσει την αυστηρή προσήλωση στους κανόνες ασφαλείας του εν λόγω προϊόντος. Η ΛΑΝΘΑΣΜΕΝΗ ΧΡΗΣΗ ή η μη τήρηση των κανόνων ασφαλείας που διατυπώνονται στο παρόν εγχειρίδιο οδηγιών μπορεί να προκαλέσει σοβαρό τραυματισμό.

ΣΗΜΑΝΤΙΚΕΣ ΟΔΗΓΙΕΣ ΑΣΦΑΛΕΙΑΣ

ENC007-6

ΓΙΑ ΤΗΝ ΜΠΑΤΑΡΙΑ

1. Πριν χρησιμοποιήσετε την μπαταρία, διαβάστε όλες τις οδηγίες και τις ενδείξεις προφύλαξης στο (1) φορτιστή μπαταρίας, (2) την μπαταρία και (3) το προϊόν στο οποίο χρησιμοποιείται η μπαταρία.
2. Μην αποσυναρμολογείτε την μπαταρία.

3. Αν ο χρόνος λειτουργίας της μπαταρίας είναι υπερβολικά σύντομος, διακόψτε αμέσως τη λειτουργία. Αν συνεχίσετε, μπορεί να έχει ως αποτέλεσμα τον κίνδυνο υπερθέρμανσης, πιθανών εγκαυμάτων και ακόμη έκρηξης.
4. Αν μπει στα μάτια σας ηλεκτρολύτης, ξεπλύνετε με καθαρό νερό και αναζητήστε αμέσως ιατρική βοήθεια. Μπορεί να χάσετε την όρασή σας.
5. Μη βραχυκυκλώνετε την μπαταρία:
 - (1) Μην αγγίζετε τους ακροδέκτες με αγώγιμο υλικό.
 - (2) Μην αποθηκεύετε την μπαταρία σε δοχείο με άλλα μεταλλικά αντικείμενα, όπως καρφιά, νομίσματα, κτλ.
 - (3) Μην εκθέτετε την μπαταρία σε νερό ή βροχή. Αν βραχυκυκλωθεί η μπαταρία, μπορεί να προκληθεί μεγάλη ροή ηλεκτρικού ρεύματος, υπερθέρμανση, πιθανά εγκαύματα και ακόμη και καταστροφή της μπαταρίας.
6. Μην αποθηκεύετε το εργαλείο και την μπαταρία σε μέρη όπου η θερμοκρασία μπορεί να φτάσει ή να ξεπεράσει τους 50°C (122°F).
7. Μην αποπερφώνετε την μπαταρία ακόμη κι αν παρουσιάζει σοβαρή ζημιά ή είναι εντελώς φθαρμένη. Η μπαταρία μπορεί να εκραγεί σε φωτιά.
8. Να προσέχετε να μη σας πέσει η μπαταρία και να μη συγκρουστεί με κάποιο αντικείμενο.
9. Μη χρησιμοποιείτε μια μπαταρία που έχει υποστεί βλάβη.

ΦΥΛΑΞΤΕ ΑΥΤΕΣ ΤΙΣ ΟΔΗΓΙΕΣ.

Συμβουλές για τη διατήρηση της μέγιστης ζωής της μπαταρίας

1. Να φορτίζετε την μπαταρία πριν αποφορτιστεί εντελώς.
Πάντοτε να διακόπτετε τη λειτουργία του εργαλείου και να φορτίζετε την μπαταρία όταν παρατηρείται μειωμένη ισχύ του εργαλείου.
2. Ποτέ μην επαναφορτίζετε μια πλήρως φορτισμένη μπαταρία.
Αν υπερφορτίσετε την μπαταρία, μειώνεται η ωφέλιμη διάρκεια ζωής της.
3. Να φορτίζετε την μπαταρία σε θερμοκρασία δωματίου, δηλαδή στους 10°C έως 40°C (50°F έως 104°F). Αν η μπαταρία είναι θερμή, αφήστε την να ψυχθεί πριν τη φορτίσετε.

ΠΕΡΙΓΡΑΦΗ ΛΕΙΤΟΥΡΓΙΑΣ

⚠ ΠΡΟΣΟΧΗ:

- Να βεβαιώνετε πάντοτε ότι έχετε σβήσει το εργαλείο και έχετε βγάλει την κασέτα μπαταρίας πριν ρυθμίσετε ή ελέγξετε κάποια λειτουργία του εργαλείου.

Τοποθέτηση ή αφαίρεση της κασέτας μπαταρίας (Εικ. 1)

- Πάντοτε να σβήνετε το εργαλείο πριν την τοποθέτηση ή την αφαίρεση της κασέτας μπαταρίας.
- Για να βγάλετε την κασέτα μπαταρίας, τραβήξτε την από το εργαλείο καθώς σύρετε το κουμπί στο μπροστινό τμήμα της κασέτας.

- Για να τοποθετήσετε την κασέτα μπαταρίας, ευθυγραμμίστε τη γλωττίδα στην κασέτα μπαταρίας με την εγκοπή στη θήκη και ολισθήστε τη στη θέση της. Πάντοτε να την τοποθετείτε έως το τέρμα, δηλαδή έως όπου ασφαλίζει στη θέση και ακουστεί ένας χαρακτηριστικός ήχος "κλικ". Αν φαίνεται το κόκκινο τμήμα στην πάνω πλευρά του κουμπιού, η μπαταρία δεν είναι πλήρως ασφαλισμένη. Εισαγάγετε την πλήρως για να μη φαίνεται το κόκκινο τμήμα. Σε αντίθετη περίπτωση, μπορεί να πέσει κατά λάθος από το εργαλείο και να τραυματίσει εσάς ή κάποιον παρευρισκόμενο.
- Να μη χρησιμοποιείτε δύναμη όταν τοποθετείτε την κασέτα μπαταρίας. Αν η κασέτα δεν ολισθαίνει με ευκολία, δεν την εισήγατε σωστά.

Δράση διακόπτη (Εικ. 2)

⚠ ΠΡΟΣΟΧΗ:

- Πριν την τοποθέτηση της κασέτας μπαταρίας στο εργαλείο, πάντοτε να ελέγχετε ότι η σκανδάλη-διακόπτης ενεργοποιείται κανονικά και επιστρέφει στη θέση "OFF" όταν την αφήνετε.

Για να ξεκινήσετε το εργαλείο, απλά πιέστε τη σκανδάλη-διακόπτη. Για να σταματήσετε τη συσκευή, αφήστε τη σκανδάλη-διακόπτη.

Δράση διακόπτη αντιστροφής (Εικ. 3)

⚠ ΠΡΟΣΟΧΗ:

- Πριν από τη λειτουργία, να ελέγχετε πάντοτε την κατεύθυνση περιστροφής.
- Να χρησιμοποιείτε το διακόπτη αντιστροφής μόνο όταν το εργαλείο είναι εντελώς ακινητοποιημένο. Αν αλλάξετε την κατεύθυνση περιστροφής πριν ακινητοποιηθεί το εργαλείο, μπορεί να προκληθεί βλάβη στο εργαλείο.
- Όταν δεν χειρίζεστε το εργαλείο, να βάζετε πάντοτε το μοχλό του διακόπτη αντιστροφής στην ουδέτερη θέση. Το εργαλείο αυτό διαθέτει διακόπτη αντιστροφής για να αλλάξετε την κατεύθυνση περιστροφής. Πατήστε το μοχλό του διακόπτη αντιστροφής από την πλευρά Α για δεξιόστροφη περιστροφή ή από την πλευρά Β για αριστερόστροφη περιστροφή. Όταν ο μοχλός του διακόπτη αντιστροφής βρίσκεται στην ουδέτερη θέση, δεν μπορείτε να πατήσετε τη σκανδάλη-διακόπτη.

Άναμμα λαμπών (Εικ. 4)

⚠ ΠΡΟΣΟΧΗ:

- Μην κοπιάτε κατευθείαν μέσα στο φως ή στην πηγή του φωτός.
Πιέστε την σκανδάλη-διακόπτη για να ανάψετε τη λάμπα. Η λάμπα εξακολουθεί να είναι αναμμένη όσο πιέζετε την σκανδάλη-διακόπτη. Το φως σβήνει αυτόματα μετά από 10 δευτερόλεπτα αφότου αφήσετε τη σκανδάλη-διακόπτη.

ΣΗΜΕΙΩΣΗ:

- Χρησιμοποιήστε ένα στεγνό πανί για να σκουπίσετε τη σκόνη από το φακό της λάμπας. Προσέχετε να μη γρατσουνίσετε το φακό της λάμπας, επειδή μπορεί να μειωθεί η ένταση του φωτισμού.

Ενδεικτική λυχνία (Εικ. 5)

⚠ ΠΡΟΣΟΧΗ:

- Η λάμπα του εργαλείου δείχνει τις ακόλουθες λειτουργίες.

Λειτουργία	Κατάσταση	Κατάσταση ενδεικτικής λυχνίας/βομβητής		Ενέργεια που πρέπει να γίνει
		Ενδεικτική λυχνία	Βομβητής	
Στερέωση με αυτόματο σταμάτημα	Αυτή η λειτουργία ενεργοποιείται όταν το εργαλείο έχει φτάσει την προρυθμισμένη ροπή στερέωσης και έχει συμπληρωθεί η κανονική σύσφιξη. Αυτό βοηθά στο να αποφεύγεται η υπερβολική σύσφιξη.	Ανάβει στο πράσινο για ένα δευτερόλεπτο περίπου.	—	—
Καθυστέρηση επανεκκίνησης	Για περίπου ένα δευτερόλεπτο μετά την στερέωση με αυτόματο σταμάτημα, το εργαλείο δεν ξεκινά ακόμη και εάν η σκανδάλη-διακόπτης έχει τραβηχτεί.			
Προειδοποίηση για ανεπαρκή στερέωση	Έχει γίνει ανεπαρκής στερέωση όταν η σκανδάλη-διακόπτης ελευθερώθηκε πριν φτάσει στην προρυθμισμένη ροπή στερέωσης.	Ανάβει στο κόκκινο.	Ένα μακρύ μπιπ	Ξανασφίξτε τη βίδα
Προειδοποίηση για κατάσταση φόρτισης κασέτας μπαταρίας	Αυτό δείχνει τον κατάλληλο χρόνο για την αντικατάσταση της κασέτας μπαταρίας όταν αυτή εξασθενήσει.	Αναβοσβήνει αργά στο κόκκινο.	Μια σειρά από μακρά μπιπ	Αντικαταστήστε την μπαταρία με μια πλήρως φορτισμένη.
Έλεγχος της εναπομένουσας χωρητικότητας της μπαταρίας, αυτόματο σταμάτημα	Αυτή η λειτουργία ενεργοποιείται όταν η ισχύς της μπαταρίας είναι σχεδόν εξαντλημένη. Τη στιγμή αυτή το εργαλείο σταματά αμέσως.	Ανάβει στο κόκκινο.	Ένα μακρύ μπιπ	Αντικαταστήστε την μπαταρία με μια πλήρως φορτισμένη.
Έλεγχος της ενδεικτικής λυχνίας, του φωτός και της λειτουργίας βομβητή	Αυτή η λειτουργία ενεργοποιείται για να ελέγξει την σωστή λειτουργία της ενδεικτικής λυχνίας, του φωτός και του βομβητή όταν μια κασέτα μπαταρίας έχει εισαχθεί στο εργαλείο.	Ανάβει πρώτα στο πράσινο και μετά στο κόκκινο. (Και μετά ανάβει το φως.)	Μια σειρά από πολύ μακρά μπιπ	—
Αντι-επαναρύθμιση του ελεγκτή	Αυτή η λειτουργία ενεργοποιείται όταν συμβεί μια αψίσεικη πτώση της τάσης της μπαταρίας για κάποιο λόγο και το εργαλείο σταματά.	Αναβοσβήνει εναλλακτικά στο κόκκινο και στο πράσινο.	Μια σειρά από βραχεία μπιπ	Αντικαταστήστε την μπαταρία με μια πλήρως φορτισμένη.
Υπερθέρμανση	Αυτή η λειτουργία ενεργοποιείται όταν η θερμοκρασία του ελεγκτή ανεβαίνει πολύ ψηλά και το εργαλείο σταματά.	Αναβοσβήνει γρήγορα στο κόκκινο.	Μια σειρά από βραχεία μπιπ	Αφαιρέστε την κασέτα μπαταρίας αμέσως και ψύξτε το εργαλείο.
Λάθος λειτουργία της σκανδάλης-διακόπτη	Αυτή η λειτουργία ενεργοποιείται για να αποφευχθεί η άμεση εκκίνηση του εργαλείου με την εισαγωγή της κασέτας μπαταρίας όταν είναι τραβηγμένη η σκανδάλη-διακόπτης.	Αναβοσβήνει εναλλακτικά στο κόκκινο και στο πράσινο.	Μια σειρά από βραχεία μπιπ	Ελευθερώστε τη σκανδάλη-διακόπτη.

Ρύθμιση της ροπής στερέωσης (Εικ. 6)

Όταν επιθυμείτε να βιδώσετε μηχανικές βίδες, εξάγωνα μπουλόνια κτλ., με προκαθορισμένη ροπή, ρυθμίστε τη ροπή σύσφιξης όπως περιγράφεται παρακάτω.

1. Αφαιρέστε πρώτα την κασέτα μπαταρίας από το εργαλείο.
2. Χαλαρώστε και αφαιρέστε την βίδα που ασφαλίζει τον δακτύλιο.
3. Περιστρέψτε τον δακτύλιο στο εμπρόσθιο μέρος του εργαλείου με το χέρι ώστε να δείτε μία οπή κάτω από το δακτύλιο.
4. Τοποθετήστε την κασέτα μπαταρίας στη θέση της και τραβήξτε την σκανδάλη διακόπτη. Ελευθερώστε την έτσι ώστε ο ρυθμιστικός δακτύλιος να περιστρέφεται

και γίνεται ορατή η οπή όπως παρουσιάζεται στην εικόνα. Τότε αφαιρέστε την κασέτα μπαταρίας. (Εικ. 7)

5. Χρησιμοποιήστε μια προαιρετική προσαρμοστική λαβή για να ρυθμίσετε τη ροπή στερέωσης. Βάλτε τον πείρο της προσαρμοστικής λαβής μέσα στην οπή στο εμπρόσθιο μέρος του εργαλείου. Και τότε γυρίστε την προσαρμοστική λαβή δεξιόστροφα για να ρυθμίσετε μια μεγαλύτερη ροπή στερέωσης και αριστερόστροφα για να ρυθμίσετε μια μικρότερη ροπή στερέωσης.
6. Ευθυγραμμίστε την κίτρινη γραμμή με τον επιθυμητό σας αριθμό στην κλίμακα ροπής στερέωσης.
7. Εισάγετε την κασέτα μπαταρίας και βεβαιωθείτε ότι μία ροπή στερέωσης έχει ρυθμιστεί χρησιμοποιώντας ένα μετρητή ροπής στερέωσης.

8. Περιστρέψτε τον δακτύλιο στο εμπρόσθιο τμήμα του εργαλείου και μετά σφίξτε την βίδα για να τον ασφαλίσετε.

ΣΗΜΕΙΩΣΗ:

- Οι αριθμοί στην κλίμακα της ροπής στερέωσης είναι ένας οδηγός για να ρυθμίσετε την επιθυμητή σας ροπή στερέωσης.

ΣΥΝΑΡΜΟΛΟΓΗΣΗ

⚠ ΠΡΟΣΟΧΗ:

- Να βεβαιώνετε πάντοτε ότι έχετε σβήσει το εργαλείο και έχετε βγάλει την κασέτα μπαταρίας πριν εκτελέσετε οποιαδήποτε εργασία σε αυτό.

Τοποθέτηση ή αφαίρεση της αιχμής βιδώματος ή της υποδοχής της αιχμής (Εικ. 8)

Χρησιμοποιήστε μόνο τις αιχμές που διαθέτουν το τμήμα εισχώρησης που δείχνεται στην εικόνα.

Για το εργαλείο με τη ρηχή τρύπα αιχμής

A=12 mm B=9 mm	Χρησιμοποιήστε μόνο αιχμές αυτών των τύπων. Ακολουθήστε τη διαδικασία (1) (Σημείωση) Δεν είναι απαραίτητο το τεμάχιο της αιχμής.
-------------------	--

Για το εργαλείο με τη βαθιά τρύπα αιχμής

A=17 mm B=14 mm	Για να τοποθετήσετε αυτούς τους τύπους των αιχμών, ακολουθήστε τη διαδικασία (1)
A=12 mm B=9 mm	Για να τοποθετήσετε αυτούς τους τύπους των αιχμών, ακολουθήστε τη διαδικασία (2) (Σημείωση) Δεν είναι απαραίτητο το τεμάχιο της αιχμής για την τοποθέτηση της αιχμής.

1. Για να τοποθετήσετε την αιχμή, τραβήξτε το μανίκι προς την κατεύθυνση του βέλους και βάλτε την αιχμή μέσα στο μανίκι όσο μέσα μπορεί να μπει. Μετά ελευθερώστε το μανίκι για να στερεώσετε την αιχμή. (Εικ. 9)
2. Για να τοποθετήσετε την αιχμή, τραβήξτε το μανίκι προς την κατεύθυνση του βέλους και εισχωρήστε το τεμάχιο της αιχμής και την αιχμή μέσα στο μανίκι όσο μέσα μπορεί να μπει. Το τεμάχιο της αιχμής πρέπει να εισαχθεί μέσα στο μανίκι με το μυτερό άκρο να βλέπει προς τα μέσα. Μετά ελευθερώστε το μανίκι για να στερεώσετε την αιχμή. (Εικ. 10)

Για να αφαιρέσετε την αιχμή τραβήξτε το μανίκι προς την διεύθυνση του βέλους και τραβήξτε γερά την αιχμή προς τα έξω.

ΣΗΜΕΙΩΣΗ:

- Εάν δεν έχει μπει η αιχμή αρκετά βαθιά μέσα στο μανίκι, το μανίκι δεν θα επιστρέψει στην αρχική του θέση και η αιχμή δεν θα στερεωθεί. Σε αυτή την περίπτωση προσπαθήστε να ξαναβάλετε μέσα την αιχμή σύμφωνα με τις παραπάνω οδηγίες.

ΛΕΙΤΟΥΡΓΙΑ

Λειτουργία βιδώματος (Εικ. 11)

Τοποθετήστε το άκρο της αιχμής βιδώματος στην κεφαλή της βίδας και ασκήστε πίεση στο εργαλείο. Μετά ενεργοποιήστε το εργαλείο. Όταν ολισθήσει ο σφιγκτήρας, το μοτέρ θα σταματήσει αυτόματα. Κατόπιν ελευθερώστε την σκανδάλη-διακόπτη.

ΣΗΜΕΙΩΣΗ:

- Βεβαιωθείτε ότι τοποθετήσατε την αιχμή βιδώματος απευθείας στην κεφαλή της βίδας. Διαφορετικά, μπορεί να προκληθεί βλάβη στη βίδα ή/και στην αιχμή.

Όρια ικανότητας στερέωσης

Χρησιμοποιείτε το εργαλείο μέσα στο όριο της γωνίας περιστροφής των 360°. Εάν χρησιμοποιήσετε το εργαλείο πέρα του πάνω ορίου αυτού του εύρους, ο συμπλέκτης δεν θα λειτουργεί. Και το εργαλείο δεν θα μπορεί να αποδώσει αρκετή ροπή στερέωσης.

ΣΗΜΕΙΩΣΗ:

- Η γωνία περιστροφής είναι η γωνία την οποία διαγράφει μια βίδα/μπουλόνι όταν το εργαλείο φθάνει στο 100% από το 50% της επιθυμητής ροπής.
- Η χρήση μιας κασέτας μπαταρίας ευρισκόμενης σε χαμηλή θερμοκρασία μπορεί καμιά φορά να ενεργοποιήσει το Λαμπάκι προειδοποίησης και τον βομβητή για ανεπάρκεια φόρτισης της μπαταρίας που αναγκάζει το εργαλείο να σταματήσει αμέσως. Στην περίπτωση αυτή, η τιμή της ροπής στερέωσης θα είναι καλύτερη από την προδιαγραφή που φαίνεται σε αυτό το εγχειρίδιο ακόμη και αν χρησιμοποιηθεί μια φορτισμένη κασέτα μπαταρίας.

ΣΥΝΤΗΡΗΣΗ

⚠ ΠΡΟΣΟΧΗ:

- Να βεβαιώνετε πάντοτε ότι έχετε σβήσει το εργαλείο και έχετε βγάλει την κασέτα μπαταρίας πριν εκτελέσετε οποιαδήποτε εργασία ελέγχου ή συντήρησης σε αυτό.
- Μην χρησιμοποιήσετε βενζίνη, βενζόλη, διαλυτικά, αλκοόλη ή κάτι παρόμοιο. Μπορεί να προκληθεί αποχρωματισμός, παραμόρφωση ή ρωγμές.

Αλλαγή καρβουνακίων (Εικ. 12)

Να αφαιρέτε και να ελέγχετε τακτικά τα καρβουνάκια. Να αντικαθιστάτε τα καρβουνάκια όταν έχουν φθαρεί έως την ένδειξη ορίου. Να διατηρείτε τα καρβουνάκια καθαρά και ελεύθερα για να γλιστρούν στις υποδοχές. Πρέπει να αλλάζετε ταυτόχρονα και τα δύο καρβουνάκια. Να χρησιμοποιείτε μόνο καρβουνάκια ίδιου τύπου. Με τη βοήθεια ενός κατασαβιδιού, βγάλτε τα καπάκια υποδοχής για τα καρβουνάκια. Βγάλτε τα φαρμένα καρβουνάκια, τοποθετήστε τα καινούργια και ασφαλίστε τα καπάκια υποδοχής για τα καρβουνάκια. (Εικ. 13) Για να διατηρείται η ΑΣΦΑΛΕΙΑ και η ΑΞΙΟΠΙΣΤΙΑ του προϊόντος, οι εργασίες επισκευής, καθώς και οποιαδήποτε άλλη εργασία συντήρησης ή ρύθμισης, θα πρέπει να εκτελούνται σε εξουσιοδοτημένα κέντρα εξυπηρέτησης της Makita, και πάντοτε με τη χρήση ανταλλακτικών της Makita.

ΠΡΟΣΟΧΗ:

- Συνιστάται η χρήση αυτών των αξεσουάρ ή εξαρτημάτων με το εργαλείο της Makita, όπως περιγράφεται στο παρόν εγχειρίδιο. Αν χρησιμοποιήσετε άλλα αξεσουάρ ή εξαρτήματα μπορεί να παρουσιαστεί κίνδυνος για πρόκληση τραυματισμού προσώπων. Να χρησιμοποιείτε τα αξεσουάρ και τα εξαρτήματα μόνο για το σκοπό για τον οποίο προορίζονται.

Αν χρειάζεστε κάποια βοήθεια ή περισσότερες πληροφορίες σχετικά με τα αξεσουάρ αυτά, απευθυνθείτε στο πλησιέστερο κέντρο εξυπηρέτησης της Makita.

- Διάφοροι τύποι γνήσιων μπαταριών και φορτιστών της Makita
- Προσαρμοστική λαβή
- Προφυλακτήρας
- Σύνολο λαβής βάσης
- Λαβή 37
- Κεφαλή αποφυγής κλωστήματος

Θόρυβος

ENG905-1

Το σύνθετος σταθμισμένο επίπεδο θορύβου που έχει καθοριστεί σύμφωνα με την EN60745:

Επίπεδο ηχητικής πίεσης (L_{pA}): 70 dB (A) ή λιγότερο
Αβεβαιότητα (K): 3 dB (A)

Το επίπεδο θορύβου σε λειτουργία ενδέχεται να υπερβεί τα 80 dB (A)

Να φοράτε ωτοασπίδες.

Δόνηση

ENG900-1

Η συνολική τιμή δόνησης (διανυσματικό άθροισμα τριών αξόνων) που έχει καθοριστεί σύμφωνα με την EN60745:

Κατάσταση λειτουργίας: διάτρηση σε μέταλλο
Εκπομπή δόνησης ($a_{h,D}$): 2,5 m/s² ή λιγότερο
Αβεβαιότητα (K): 1,5 m/s²

ENG901-1

- Η δηλωθείσα τιμή των παραγομένων κραδασμών έχει καταμετρηθεί σύμφωνα με την τυποποιημένη μέθοδο δοκιμασίας και μπορεί να χρησιμοποιηθεί για την σύγκριση ενός εργαλείου με ένα άλλο.
- Η δηλωθείσα τιμή των παραγομένων κραδασμών μπορεί επίσης να χρησιμοποιηθεί για μια προκαταρκτική αξιολόγηση της έκθεσης στους κραδασμούς.

ΠΡΟΕΙΔΟΠΟΙΗΣΗ:

- Η εκπομπή κραδασμών κατά τη διάρκεια της πραγματικής χρήσης του ηλεκτρικού εργαλείου μπορεί να διαφέρει από τη δηλωθείσα τιμή των εκπομπών, ανάλογα με τον τρόπο με τον οποίο χρησιμοποιείται το εργαλείο.
- Φροντίστε να λάβετε τα μέτρα ασφαλείας που απαιτούνται για την προστασία του χρήστη που βασίζονται σε μια εκτίμηση της έκθεσης σε πραγματικές συνθήκες χρήσης (λαμβάνοντας υπόψη όλα τα μέρη του κύκλου λειτουργίας, όπως είναι οι περιπτώσεις κατά τις οποίες το εργαλείο είναι απενεργοποιημένο και όταν λειτουργεί στο ρελαντί επιπρόσθετως του χρόνου κατά τον οποίο το εργαλείο βρίσκεται σε χρήση).

Για Ευρωπαϊκές χώρες μόνο

ΕΚ – Δήλωση συμμόρφωσης

Η Εταιρία Makita ως υπεύθυνος κατασκευαστής, δηλώνει ότι το παρακάτω μηχάνημα ή μηχανήματα της Makita:

Όνομασία Μηχανήματος:

Κατσαβίδι μπαταρίας

Αρ. Μοντέλου/ Τύπος: BFT043F, BFT083F, BFT125F

αποτελούν παραγωγή σε σειρά και

Συμμορφώνονται με τις ακόλουθες Ευρωπαϊκές

Οδηγίες:

2006/42/EK

Και κατασκευάζονται σύμφωνα με τα παρακάτω πρότυπα

ή τυποποιημένα έγγραφα:

EN60745

Ο εξουσιοδοτημένος μας αντιπρόσωπος στην Ευρώπη διατηρεί τα τεχνικά έγγραφα, ο οποίος είναι:

Makita International Europe Ltd.,

Michigan, Drive, Tongwell,

Milton Keynes, MK15 8JD, England

3. 2. 2010



Tomoyasu Kato

Διευθυντής

Makita Corporation

3-11-8, Sumiyoshi-cho,

Anjo, Aichi, JAPAN

Makita Corporation

Anjo, Aichi, Japan

www.makita.com

884977-992

ALA