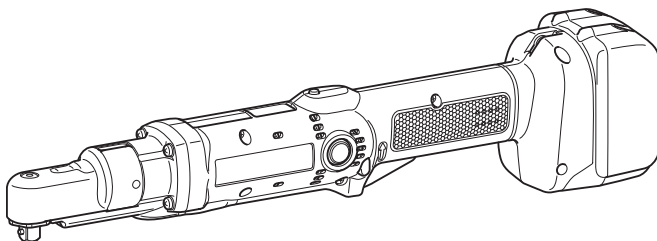
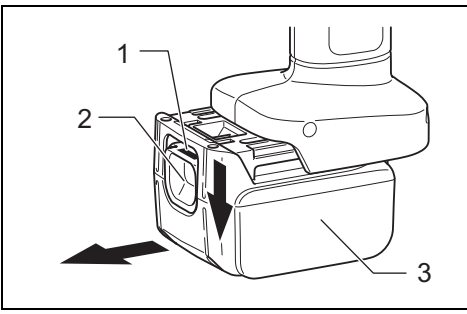




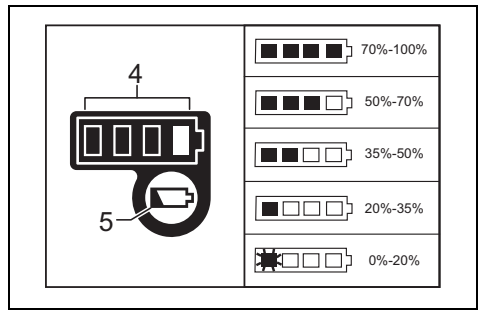
GB	Cordless Angle Screwdriver	Instruction Manual
F	Visseuse Industrielle à Renvoi d'Angle	Manuel d'instructions
D	Akku-Winkelschrauber	Betriebsanleitung
I	Avvitatore angolare a batteria	Istruzioni per l'uso
NL	Snoerloze haakse schroevendraaier	Gebruiksaanwijzing
E	Atornillador Angular Inalámbrico	Manual de instrucciones
P	Parafusadeira Angular a Bateria	Manual de instruções
DK	Akku vinkelskruemaskine	Brugsanvisning
GR	Ασύρματο γωνιακό κατσαβίδι	Οδηγίες χρήσεως
TR	Akülü Açılı Vidalama Makinesi	Kullanma kılavuzu

DFL061F
DFL082F
DFL122F
DFL202F

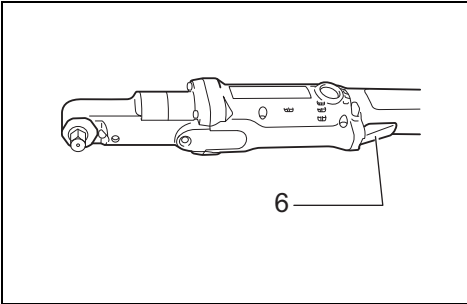




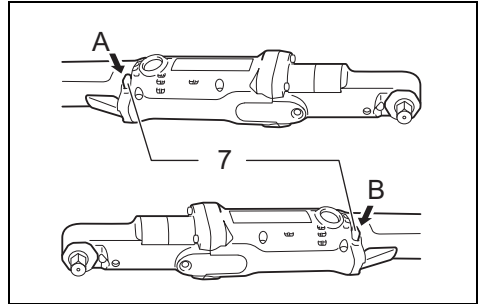
1 013042



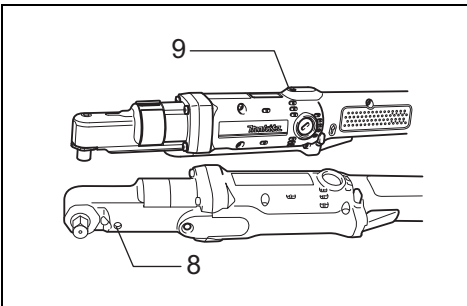
2 0983501



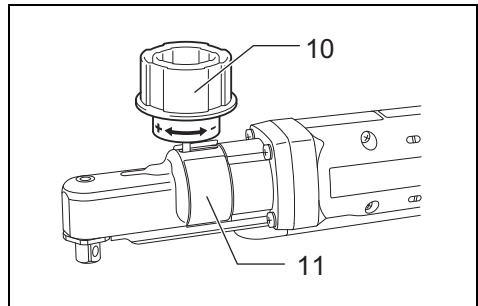
3 003617



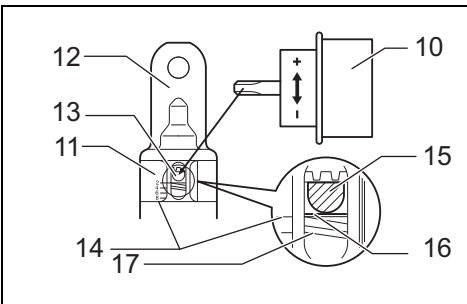
4 003618



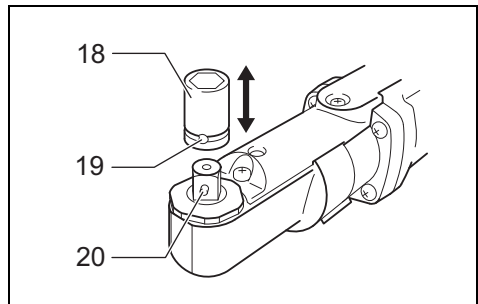
5 003619



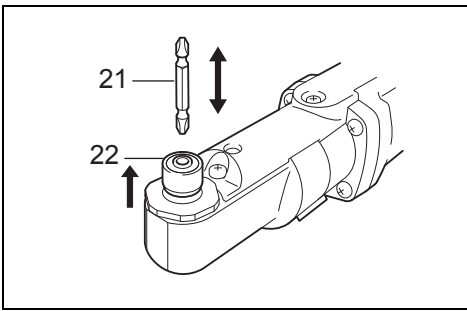
6 013070



7 013090

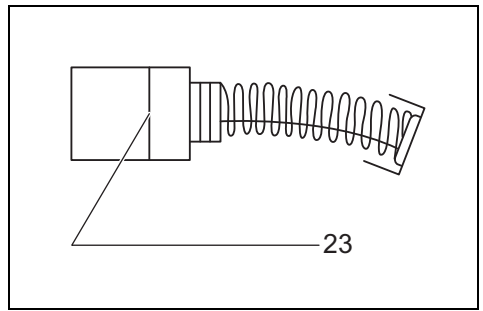


8 003623



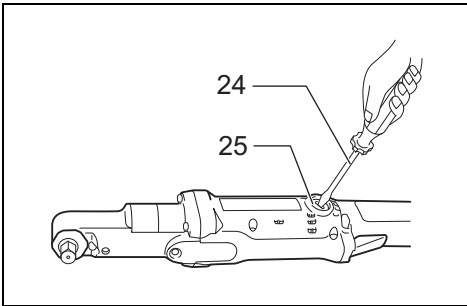
9

004170



10

001145



11

003628

Explanation of general view

1 Red indicator	10 Adjust grip	19 Hole
2 Button	11 Ring	20 Pin
3 Battery cartridge	12 Angle head	21 Screw bit
4 Indicator lamps	13 Adjust ring	22 Sleeve
5 Check button	14 Scale	23 Limit mark
6 Switch trigger	15 Hole for adjust grip	24 Screwdriver
7 Reversing switch lever	16 Yellow line	25 Brush holder cap
8 Lamp	17 Compression spring	
9 LED indicator	18 Socket	

SPECIFICATIONS

Model		DFL061F	DFL082F	DFL122F	DFL202F
Fastening torque	Hard joint	1.5 – 6 N·m	2 – 8 N·m	5 – 12 N·m	8 – 20 N·m
	Soft joint	1.5 – 6 N·m	2 – 8 N·m	5 – 12 N·m	8 – 20 N·m
Angle drive head		9.5 mm square or 6.35 mm hex			
No load speed (min ⁻¹)		470	700	410	220
Overall length (Depending on the battery)		405 – 422 mm			
Net weight		1.5 – 2.1 kg			
Rated voltage		D.C. 14.4 V			

- Due to our continuing program of research and development, the specifications herein are subject to change without notice.
- Specifications may differ from country to country.
- The weight may differ depending on the attachment(s), including the battery cartridge. The lightest and heaviest combination, according to EPTA-Procedure 01/2014, are shown in the table.

Applicable battery cartridge and charger

Battery cartridge	BL1415N / BL1415NA / BL1430 / BL1430B / BL1440 / BL1450 / BL1460A / BL1460B
Charger	DC18RC / DC18RD / DC18RE / DC18SD / DC18SE / DC18SF

- Some of the battery cartridges and chargers listed above may not be available depending on your region of residence.

⚠ WARNING: Only use the battery cartridges and chargers listed above. Use of any other battery cartridges and chargers may cause injury and/or fire.

ENE033-1

GEB139-1

Intended use

The tool is intended for screw driving in wood, metal and plastic.

GEA010-2

General Power Tool Safety Warnings

⚠ WARNING Read all safety warnings, instructions, illustrations and specifications provided with this power tool. Failure to follow all instructions listed below may result in electric shock, fire and/or serious injury.

Save all warnings and instructions for future reference.

The term "power tool" in the warnings refers to your mains-operated (corded) power tool or battery-operated (cordless) power tool.

CORDLESS SCREWDRIVER SAFETY WARNINGS

1. **Hold the power tool by insulated gripping surfaces, when performing an operation where the fastener may contact hidden wiring.** Fasteners contacting a "live" wire may make exposed metal parts of the power tool "live" and could give the operator an electric shock.
2. **Always be sure you have a firm footing. Be sure no one is below when using the tool in high locations.**
3. **Hold the tool firmly.**
4. **Keep hands away from rotating parts.**
5. **Do not touch the bit or the workpiece immediately after operation; they may be extremely hot and could burn your skin.**
6. **Always secure workpiece in a vise or similar hold-down device.**

SAVE THESE INSTRUCTIONS.

⚠ WARNING:
DO NOT let comfort or familiarity with product (gained from repeated use) replace strict adherence to safety rules for the subject product. MISUSE or failure to follow the safety rules stated in this instruction manual may cause serious personal injury.

ENC007-12

IMPORTANT SAFETY INSTRUCTIONS FOR BATTERY CARTRIDGE

1. Before using battery cartridge, read all instructions and cautionary markings on (1) battery charger, (2) battery, and (3) product using battery.
2. Do not disassemble battery cartridge.
3. If operating time has become excessively shorter, stop operating immediately. It may result in a risk of overheating, possible burns and even an explosion.
4. If electrolyte gets into your eyes, rinse them out with clear water and seek medical attention right away. It may result in loss of your eyesight.
5. Do not short the battery cartridge:
 - (1) Do not touch the terminals with any conductive material.
 - (2) Avoid storing battery cartridge in a container with other metal objects such as nails, coins, etc.
 - (3) Do not expose battery cartridge to water or rain.

A battery short can cause a large current flow, overheating, possible burns and even a breakdown.

6. Do not store the tool and battery cartridge in locations where the temperature may reach or exceed 50°C (122°F).
7. Do not incinerate the battery cartridge even if it is severely damaged or is completely worn out. The battery cartridge can explode in a fire.
8. Be careful not to drop or strike battery.
9. Do not use a damaged battery.
10. The contained lithium-ion batteries are subject to the Dangerous Goods Legislation requirements.

For commercial transports e.g. by third parties, forwarding agents, special requirement on packaging and labeling must be observed.

For preparation of the item being shipped, consulting an expert for hazardous material is required. Please also observe possibly more detailed national regulations.

Tape or mask off open contacts and pack up the battery in such a manner that it cannot move around in the packaging.

11. Follow your local regulations relating to disposal of battery.
12. Use the batteries only with the products specified by Makita. Installing the batteries to non-compliant products may result in a fire, excessive heat, explosion, or leak of electrolyte.

SAVE THESE INSTRUCTIONS.

⚠ CAUTION: Only use genuine Makita batteries. Use of non-genuine Makita batteries, or batteries that have been altered, may result in the battery bursting causing fires, personal injury and damage. It will also void the Makita warranty for the Makita tool and charger.

Tips for maintaining maximum battery life

1. Charge the battery cartridge before completely discharged. Always stop tool operation and charge the battery cartridge when you notice less tool power.
2. Never recharge a fully charged battery cartridge. Overcharging shortens the battery service life.
3. Charge the battery cartridge with room temperature at 10°C – 40°C (50°F – 104°F). Let a hot battery cartridge cool down before charging it.
4. Charge the battery cartridge if you do not use it for a long period (more than six months).

FUNCTIONAL DESCRIPTION

⚠ CAUTION:

- Always be sure that the tool is switched off and the battery cartridge is removed before adjusting or checking function on the tool.

Installing or removing battery cartridge (Fig. 1)

⚠ CAUTION:

- Always switch off the tool before installing or removing of the battery cartridge.
- Hold the tool and the battery cartridge firmly when installing or removing battery cartridge. Failure to hold the tool and the battery cartridge firmly may cause them to slip off your hands and result in damage to the tool and battery cartridge and a personal injury.

To remove the battery cartridge, slide it from the tool while sliding the button on the front of the cartridge.

To install the battery cartridge, align the tongue on the battery cartridge with the groove in the housing and slip it into place. Insert it all the way until it locks in place with a little click. If you can see the red indicator on the upper side of the button, it is not locked completely.

⚠ CAUTION:

- Always install the battery cartridge fully until the red indicator cannot be seen. If not, it may accidentally fall out of the tool, causing injury to you or someone around you.
- Do not install the battery cartridge forcibly. If the cartridge does not slide in easily, it is not being inserted correctly.

Checking the remaining battery capacity (BL1460A) (Fig. 2)

NOTE:

- Depending on the conditions of use and the ambient temperature, the indication may differ slightly from the actual capacity.

When charging

When the charging begins, the first (far left) indicating lamp begins to flicker. Then, as charging proceeds, the other lamps light, one after the other, to indicate the battery capacity.

NOTE:

- If the indicator lamp does not turn on or flicker when charging, the battery may be faulty. In this case, ask your local service center.

When using

When the tool is switched on, the lamps will light to indicate the remaining battery capacity. When the tool is switched off, the light goes out after approx. 5 seconds.

When pushing the check button with the tool switched off, the indicator lamps turn on for approx. 5 seconds to show battery capacity.

If the orange lamp flickers, the tool stops because of little remaining battery capacity (Auto-stop mechanism). Charge the battery cartridge or use a charged battery cartridge at this time.

When the tool is used with the battery that has not been used for a long time and is switched on, no lamps may light up. The tool stops because of little remaining battery capacity at this time. Charge the battery properly.

Switch action (Fig. 3)**⚠ CAUTION:**

- Before inserting the battery cartridge into the tool, always check to see that the switch trigger actuates properly and returns to the "OFF" position when released.

To start the tool, simply pull the switch trigger. Release the switch trigger to stop.

LED indicator / Beeper

LED indicator / Beeper on the tool shows the following functions.

Function	Status	Status of the LED indicator/beeper		Action to be taken
		LED indicator	Beeper	
Auto-stop fastening	This function works when the tool has reached the preset fastening torque and normal tightening has been completed. This helps overtightening to be avoided.	Lights up in green for approximately one second.	—	—
Delayed re-start	For approximately one second after auto-stop fastening, the tool does not start even if the switch trigger is pulled.			
Warning against insufficient fastening	Insufficient fastening has been performed when the switch trigger has released before reaching the preset fastening torque.	Lights up in red.	A long beep	Retighten the screw.
Warning for battery cartridge capacity	This indicates the appropriate time to replace the battery cartridge when the battery power becomes low.	Flickers in red slowly.	A series of long beeps	Replace the battery with fully charged one.
Checking the remaining battery capacity, Autostop	This function works when the battery power is almost used up. At this time, tool stops immediately.	Lights up in red.	A long beep	Replace the battery with fully charged one.
Check the LED indicator, lamp and beeper operation	This function works to check the proper operation of the LED indicator, lamp and beeper when a battery cartridge has been inserted into the tool.	Lights up first in green, next red. (And then the lamp comes on.)	A series of very short beeps	—
Anti-reset of controller	This function works when an abnormal drop of the battery voltage occurs for some reason, and the tool stops.	Flickers in red and green alternately.	A series of short beeps	Replace the battery with fully charged one.

Reversing switch action (Fig. 4)**⚠ CAUTION:**

- Always check the direction of rotation before operation.
- Use the reversing switch only after the tool comes to a complete stop. Changing the direction of rotation before the tool stops may damage the tool.
- When not operating the tool, always set the reversing switch lever to the neutral position.

This tool has a reversing switch to change the direction of rotation. Depress the reversing switch lever from the A side for clockwise rotation or from the B side for counter-clockwise rotation.

When the reversing switch lever is in the neutral position, the switch trigger cannot be pulled.

Lighting up the lamps (Fig. 5)**⚠ CAUTION:**

- Do not look in the light or see the source of light directly.

Pull the switch trigger to light up the lamp. The lamp keeps on lighting while the switch trigger is being pulled. The light automatically goes out 10 seconds after the switch trigger is released.

NOTE:

- Use a dry cloth to wipe the dirt off the lens of lamp. Be careful not to scratch the lens of lamp, or it may lower the illumination.

Function	Status	Status of the LED indicator/beeper		Action to be taken
		LED indicator	Beeper	
Overheat	This function works when the temperature of the controller goes up very highly, and the tool stops.	Flickers in red quickly.	A series of short beeps	Remove the battery cartridge immediately and cool the tool down.
Operation error of the switch trigger	This function works to avoid the tool's immediate start upon insertion of battery cartridge into the tool with the switch trigger being pulled.	Flickers in red and green alternatively.	A series of short beeps	Release the switch trigger.
Warning for limit of the fastening capacity	The tool automatically stops without the clutch working when exceeding the fastening capacity limit.	Flickers in red and green alternatively.	A series of short beeps	Remove the battery cartridge and then install it again. Be sure to use the tool under load within its capacity.

013073

Adjusting the fastening torque (Fig. 6 & 7)

When you wish to drive machine screws, wood screws, hex bolts, etc. with the predetermined torque, adjusting the fastening torque as follows.

1. First remove the battery cartridge from the tool.
2. Loosen the screws securing the lamp cover.
3. Rotate the ring in the front of the tool by hand so that a hole can be seen below the ring.
4. Place the battery cartridge in place and pull the switch trigger. Release it so that the adjust ring rotates and becomes visible in the hole. And then remove the battery cartridge.
5. Use an optional adjust grip to adjust the fastening torque. Insert the pin of the adjust grip into the hole in the front of the tool. And then, turn the adjust grip clockwise to set a greater fastening torque, and counterclockwise to set a smaller fastening torque.
6. Align the yellow line with your desired number on the fastening torque scale.
7. Insert the battery cartridge and be sure that a fastening torque has been set up by using a fastening torque tester.
8. Rotate the ring in front of the tool and then tighten the screw to secure the ring.

NOTE:

- Numbers on the fastening torque scale is a guideline to set up your desired fastening torque.

ASSEMBLY

⚠ CAUTION:

- Always be sure that the tool is switched off and the battery cartridge is removed before carrying out any work on the tool.

Selecting correct socket or screw bit

There are different types of sockets or bits for some models depending on applications. Choose and install a correct socket or bit for your application.

Installing or removing socket (Fig. 8)

To install the socket, push it onto the square drive of the tool with one hand by depressing a pin on the square drive with another hand until it locks into place. To remove the socket, simply pull it off depressing the pin on the square drive.

Installing or removing bit (Fig. 9)

For tools with retracting sleeve

To install the bit, pull the sleeve in the direction of the arrow and insert the bit into the sleeve as far as it will go. Then release the sleeve to secure the bit.

To remove the bit, pull the sleeve in the direction of the arrow and pull the bit out firmly.

For tools without retracting sleeve

To install the bit, just insert the bit into the spindle as far as it will go. To remove the bit, pull the bit out firmly.

OPERATION

Hold the tool firmly and place the socket over the bolt or nut. Then switch the tool on. When the clutch cuts in, the motor will stop automatically. Then release the switch trigger.

NOTE:

- Hold the tool with its square drive pointed straight at the bolt or nut, or the bolt or nut will be damaged.

Limits of fastening capacity

Use the tool within the range of the revolution angle up to 360°. If you use the tool beyond the upper limit of this range, the clutch does not work. And the tool cannot deliver enough fastening torque (LED indicator flickers in red and green alternatively).

NOTE:

- The revolution angle means the angle which a screw/bolt revolves when the tool attains to 100% from 50% of desired torque.

- Use of a low temperature conditioned battery cartridge may sometimes give warning for battery cartridge capacity by warning lamp and beeper which makes the tool stop immediately. In this case, the fastening capacity may be inferior to the specification on this manual even if a charged battery cartridge is used.

MAINTENANCE

⚠ CAUTION:

- Always be sure that the tool is switched off and the battery cartridge is removed before attempting to perform inspection or maintenance.
- Never use gasoline, benzine, thinner, alcohol or the like. Discoloration, deformation or cracks may result.

Replacing carbon brushes (Fig. 10 & 11)

Remove and check the carbon brushes regularly. Replace when they wear down to the limit mark. Keep the carbon brushes clean and free to slip in the holders. Both carbon brushes should be replaced at the same time. Use only identical carbon brushes.

Use a screwdriver to remove the brush holder caps. Take out the worn carbon brushes, insert the new ones and secure the brush holder caps.

To maintain product SAFETY and RELIABILITY, repairs, any other maintenance or adjustment should be performed by Makita Authorized Service Centers, always using Makita replacement parts.

OPTIONAL ACCESSORIES

⚠ CAUTION:

- These accessories or attachments are recommended for use with your Makita tool specified in this manual. The use of any other accessories or attachments might present a risk of injury to persons. Only use accessory or attachment for its stated purpose.

If you need any assistance for more details regarding these accessories, ask your local Makita Service Center.

- Protector
- Makita genuine battery and charger
- Angle head set
- Adjust grip
- Anti kickback attachment
- Spindle complete

NOTE:

- Some items in the list may be included in the tool package as standard accessories. They may differ from country to country.

ENG905-1

Noise

The typical A-weighted noise level determined according to EN62841:

Sound pressure level (L_{pA}): 70 dB (A) or less

Uncertainty (K): 3 dB (A)

The noise level under working may exceed 80 dB (A).

ENG907-1

NOTE:

- The declared noise emission value(s) has been measured in accordance with a standard test method and may be used for comparing one tool with another.
- The declared noise emission value(s) may also be used in a preliminary assessment of exposure.

⚠ WARNING:

- **Wear ear protection.**
- **The noise emission during actual use of the power tool can differ from the declared value(s) depending on the ways in which the tool is used especially what kind of workpiece is processed.**
- **Be sure to identify safety measures to protect the operator that are based on an estimation of exposure in the actual conditions of use (taking account of all parts of the operating cycle such as the times when the tool is switched off and when it is running idle in addition to the trigger time).**

ENG900-1

Vibration

The vibration total value (tri-axial vector sum) determined according to EN62841:

Work mode: screwdriving without impact

Vibration emission (a_{hv}): 2.5 m/s² or less

Uncertainty (K): 1.5 m/s²

ENG901-2

NOTE:

- The declared vibration total value(s) has been measured in accordance with a standard test method and may be used for comparing one tool with another.
- The declared vibration total value(s) may also be used in a preliminary assessment of exposure.

⚠ WARNING:

- **The vibration emission during actual use of the power tool can differ from the declared value(s) depending on the ways in which the tool is used especially what kind of workpiece is processed.**
- **Be sure to identify safety measures to protect the operator that are based on an estimation of exposure in the actual conditions of use (taking account of all parts of the operating cycle such as the times when the tool is switched off and when it is running idle in addition to the trigger time).**

EC DECLARATION OF CONFORMITY

For European countries only

The EC declaration of conformity is included as Annex A to this instruction manual.

Descriptif

1	Indicateur rouge	10	Poignée de réglage	18	Douille
2	Bouton	11	Anneau	19	Orifice
3	Batterie	12	Tête angulaire	20	Broche
4	Témoins	13	Bague de réglage	21	Embout
5	Bouton de vérification	14	Échelle	22	Manchon
6	Gâchette	15	Orifice pour la poignée de réglage	23	Repère d'usure
7	Levier de l'inverseur	16	Ligne jaune	24	Tournevis
8	Lampe	17	Ressort de compression	25	Bouchon du porte-charbon
9	Témoïn DEL				

SPÉCIFICATIONS

Modèle		DFL061F	DFL082F	DFL122F	DFL202F
Couple de serrage	Joint rigide	1,5 – 6 N·m	2 – 8 N·m	5 – 12 N·m	8 – 20 N·m
	Joint souple	1,5 – 6 N·m	2 – 8 N·m	5 – 12 N·m	8 – 20 N·m
Tête pour vissage angulaire		9,5 mm carrée ou 6,35 mm hexagonale			
Vitesse à vide (min ⁻¹)		470	700	410	220
Longueur totale (Selon la batterie)		405 – 422 mm			
Poids net		1,5 – 2,1 kg			
Tension nominale		14,4 V CC			

- Étant donné l'évolution constante de notre programme de recherche et développement, les spécifications contenues dans ce manuel sont modifiables sans préavis.
- Les spécifications peuvent varier suivant les pays.
- Le poids peut être différent selon les accessoires, notamment la batterie. Les associations la plus légère et la plus lourde, conformément à la procédure EPTA-01/2014, sont indiquées dans le tableau.

Batterie et chargeur applicables

Batterie	BL1415N / BL1415NA / BL1430 / BL1430B / BL1440 / BL1450 / BL1460A / BL1460B
Chargeur	DC18RC / DC18RD / DC18RE / DC18SD / DC18SE / DC18SF

- Certains chargeurs et batteries répertoriés ci-dessus peuvent ne pas être disponibles selon la région où vous résidez.

⚠ AVERTISSEMENT : Utilisez uniquement les batteries et chargeurs répertoriés ci-dessus. L'utilisation de tout autre type de batterie et chargeur peut provoquer des blessures et/ou un incendie.

ENE033-1

GEB139-1

Utilisations

L'outil est conçu pour visser dans le bois, le métal et le plastique.

GEA010-2

CONSIGNES DE SÉCURITÉ POUR VISSSEUSE SANS FIL

Consignes de sécurité générales pour outils électriques

⚠ AVERTISSEMENT Veuillez lire les consignes de sécurité, instructions, illustrations et spécifications qui accompagnent cet outil électrique. Le non-respect de toutes les instructions indiquées ci-dessous peut entraîner une électrocution, un incendie et/ou de graves blessures.

Conservez toutes les mises en garde et instructions pour référence ultérieure.

Le terme « outil électrique » dans les avertissements fait référence à l'outil électrique alimenté par le secteur (avec cordon d'alimentation) ou à l'outil électrique fonctionnant sur batterie (sans cordon d'alimentation).

1. **Tenez l'outil électrique par des surfaces de prise isolées lorsque vous effectuez une tâche au cours de laquelle l'élément de fixation peut entrer en contact avec des fils cachés.** Le contact des éléments de fixation avec un fil sous tension peut transmettre du courant dans les pièces métalliques exposées de l'outil électrique et électrocuter l'opérateur.
2. **Assurez-vous toujours d'avoir une bonne assise.** Veillez à ce que personne ne se trouve en dessous de vous quand vous utilisez l'outil en hauteur.
3. **Tenez l'outil fermement.**
4. **Gardez vos mains à l'écart des pièces en rotation.**

5. Ne touchez pas l'embout ou la pièce immédiatement après l'exécution du travail ; ils peuvent être extrêmement chauds et vous brûler la peau.
6. Immobilisez toujours la pièce dans un étau ou un dispositif de retenue similaire.

CONSERVEZ CES INSTRUCTIONS.

⚠ AVERTISSEMENT :

NE vous laissez PAS tromper (au fil d'une utilisation répétée) par un sentiment d'aisance et de familiarité avec le produit, en négligeant le respect rigoureux des consignes de sécurité qui accompagnent le produit en question.

La MAUVAISE UTILISATION de l'outil ou l'ignorance des consignes de sécurité indiquées dans ce mode d'emploi peut entraîner de graves blessures.

ENC007-12

CONSIGNES DE SÉCURITÉ IMPORTANTES POUR LA BATTERIE

1. Avant d'utiliser la batterie, lisez toutes les instructions et précautions relatives (1) au chargeur de batterie, (2) à la batterie, et (3) au produit utilisant la batterie.
2. Ne démontez pas la batterie.
3. Cessez immédiatement l'utilisation si le temps de fonctionnement devient excessivement court. Il y a risque de surchauffe, de brûlures, voire d'explosion.
4. Si l'électrolyte pénètre dans vos yeux, rincez-les à l'eau claire et consultez immédiatement un médecin. Il y a risque de perte de la vue.
5. Ne court-circuitez pas la batterie :
 - (1) Ne touchez les bornes avec aucun matériau conducteur.
 - (2) Évitez de ranger la batterie dans un conteneur avec d'autres objets métalliques, par exemple des clous, des pièces de monnaie, etc.
 - (3) N'exposez pas la batterie à l'eau ou à la pluie.

Un court-circuit de la batterie peut provoquer une intensité de courant élevée, une surchauffe, parfois des brûlures et même une panne.

6. Ne rangez pas l'outil et la batterie dans un endroit où la température risque d'atteindre ou de dépasser 50 °C.
7. Ne jetez pas la batterie au feu même si elle est sérieusement endommagée ou complètement épuisée. La batterie peut exploser au contact du feu.
8. Évitez de laisser tomber ou de cogner la batterie.
9. N'utilisez pas la batterie si elle est endommagée.
10. Les batteries au lithium-ion contenues sont soumises aux exigences de la législation sur les marchandises dangereuses.

Lors du transport commercial par des tiers parties ou des transitaires par exemple, des exigences spécifiques en matière d'étiquetage et d'emballage doivent être respectées.

Pour la préparation de l'article expédié, il est nécessaire de consulter un expert en matériau dangereux. Veuillez également respecter les réglementations nationales susceptibles d'être plus détaillées.

Recouvrez les contacts exposés avec du ruban adhésif ou du ruban de masquage et emballez la batterie de telle sorte qu'elle ne puisse pas bouger dans l'emballage.

11. Suivez les réglementations locales en matière de mise au rebut des batteries.
12. Utilisez les batteries uniquement avec les produits spécifiés par Makita. L'insertion de batteries dans des produits non conformes peut provoquer un incendie, une chaleur excessive, une explosion ou une fuite de l'électrolyte.

CONSERVEZ CES INSTRUCTIONS.

⚠ ATTENTION : N'utilisez que des batteries Makita d'origine.

L'utilisation de batteries de marque autre que Makita ou de batteries modifiées peut provoquer l'explosion des batteries, ce qui présente un risque d'incendie, de dommages matériels et corporels. Cela annulera également la garantie Makita pour l'outil et le chargeur Makita.

Conseils pour assurer la durée de vie optimale de la batterie

1. Chargez la batterie avant qu'elle ne soit complètement déchargée. Arrêtez toujours l'outil et rechargez la batterie quand vous remarquez que la puissance de l'outil diminue.
2. Ne rechargez jamais une batterie complètement chargée. La surcharge réduit la durée de service de la batterie.
3. Chargez la batterie à une température ambiante comprise entre 10 °C et 40 °C. Avant de charger une batterie chaude, laissez-la refroidir.
4. Rechargez la batterie si elle est restée inutilisée pendant une période prolongée (plus de six mois).

DESCRIPTION DU FONCTIONNEMENT

⚠ ATTENTION :

- Vérifiez toujours que l'outil est hors tension et que la batterie est retirée avant d'ajuster l'outil ou de vérifier son fonctionnement.

Pose ou retrait de la batterie (Fig. 1)

⚠ ATTENTION :

- Mettez toujours l'outil hors tension avant de poser ou de retirer la batterie.
- Lorsque vous posez ou retirez la batterie, tenez fermement l'outil et la batterie.
Si vous ne tenez pas fermement l'outil et la batterie, ils peuvent vous glisser des mains, et s'abîmer ou vous blesser.

Pour retirer la batterie, faites-la glisser hors de l'outil tout en faisant glisser le bouton qui se trouve à l'avant de la batterie.

Pour poser la batterie, alignez sa languette sur la rainure à l'intérieur du carter, et faites-la glisser en place. Insérez-la à fond, jusqu'à ce qu'elle se mette en place avec un léger déclic. Si vous pouvez voir l'indicateur rouge du côté supérieur du bouton, la batterie n'est pas complètement verrouillée.

⚠ ATTENTION :

- Insérez toujours la batterie à fond, jusqu'à ce que l'indicateur rouge ne soit plus visible. Sinon, elle pourrait tomber accidentellement de l'outil, au risque de vous blesser ou de blesser quelqu'un se trouvant près de vous.
- Ne forcez pas pour insérer la batterie. Si elle ne glisse pas facilement, c'est que vous ne l'insérez pas correctement.

Vérification de la charge restante de la batterie (BL1460A) (Fig. 2)

NOTE :

- Selon les conditions d'utilisation et la température ambiante, l'indication peut être légèrement différente de la capacité réelle.

Pendant la charge

Lorsque la charge commence, le premier voyant lumineux (complètement à gauche) se met à clignoter. Puis les autres voyants s'allument l'un à la suite de l'autre à mesure que la charge progresse, pour indiquer le niveau de charge de la batterie.

NOTE :

- Si le voyant lumineux ne s'allume pas ou clignote pendant la charge, il se peut que la batterie soit défectueuse. Dans ce cas, contactez votre centre de service après-vente local.

Pendant l'utilisation

Après la mise sous tension de l'outil, les voyants s'allument pour indiquer la charge restante de la batterie. La lumière s'éteint au bout de 5 secondes environ lors de la mise hors tension de l'outil.

Si vous enfoncez le bouton de vérification alors que l'outil est éteint, les voyants lumineux s'allument pendant environ 5 secondes pour indiquer la charge de la batterie.

Si le voyant orange clignote, l'outil s'arrête en raison d'une faible charge restante de la batterie (mécanisme d'arrêt automatique). Chargez la batterie ou utilisez une batterie chargée alors.

Si vous mettez l'outil sous tension après avoir inséré une batterie n'ayant pas été utilisée pendant une période prolongée, il se peut qu'aucun voyant ne s'allume. L'outil s'arrête alors en raison d'une faible charge restante de la batterie. Chargez correctement la batterie.

Témoin DEL/avertisseur sonore

Le témoin DEL/avertisseur sonore sur l'outil indique les fonctions suivantes.

Fonction	État	État du témoin DEL/avertisseur sonore		Mesure à prendre
		Témoin DEL	Avertisseur sonore	
Serrage à arrêt automatique	Cette fonction s'active lorsque l'outil a atteint le couple de serrage pré-réglé et que le serrage s'est effectué normalement. Cela permet d'éviter un serrage excessif.	S'allume en vert pendant environ une seconde.	—	—
Délai de redémarrage	Pendant environ une seconde après le serrage à arrêt automatique, l'outil ne peut pas démarrer même si l'on appuie sur la gâchette.			
Avertissement : serrage insuffisant	Le serrage est insuffisant, la gâchette ayant été relâchée avant que ne soit atteint le couple de serrage pré-réglé.	S'allume en rouge.	Long signal sonore	Resserrez la vis.
Avertissement : niveau de charge de la batterie	Indique qu'il est temps de remplacer la batterie, sa puissance ayant diminué.	Clignote lentement en rouge.	Série de longs signaux sonores	Remplacez la batterie par une autre complètement chargée.

Interrupteur (Fig. 3)

⚠ ATTENTION :

- Avant d'insérer la batterie dans l'outil, vérifiez toujours que la gâchette fonctionne correctement et revient sur la position "OFF" une fois libérée.

Pour mettre l'outil en marche, tirez simplement sur la gâchette. Pour arrêter l'outil, libérez la gâchette.

Fonctionnement de l'inverseur (Fig. 4)

⚠ ATTENTION :

- Vérifiez toujours le sens de la rotation avant de commencer le travail.
- N'activez l'inverseur qu'une fois l'outil parfaitement arrêté. Vous risqueriez d'abîmer l'outil en changeant le sens de rotation avant l'arrêt complet.
- Après l'utilisation de l'outil, mettez toujours le levier de l'inverseur en position neutre.

Cet outil possède un inverseur qui permet de changer le sens de la rotation. Enfoncez le levier de l'inverseur du côté A pour une rotation dans le sens des aiguilles d'une montre, ou du côté B pour une rotation en sens contraire. Lorsque le levier de l'inverseur est en position neutre, la gâchette ne peut pas être enclenchée.

Allumage de la lampe (Fig. 5)

⚠ ATTENTION :

- Ne regardez pas directement la lumière ou la source de lumière.

Tirez sur la gâchette pour allumer la lampe. La lampe demeure allumée tant que vous tirez sur la gâchette. Lorsque vous relâchez la gâchette, la lumière s'éteint automatiquement au bout de 10 secondes.

NOTE :

- Utilisez un chiffon sec pour essuyer les saletés sur la lentille de la lampe. Évitez de rayer la lentille de la lampe, autrement sa capacité d'éclairage diminuera.

Fonction	État	État du témoin DEL/avertisseur sonore		Mesure à prendre
		Témoin DEL	Avertisseur sonore	
Vérification de la charge restante de la batterie et arrêt automatique	Cette fonction s'active lorsque la batterie est presque complètement épuisée. L'outil s'arrête alors immédiatement.	S'allume en rouge.	Long signal sonore	Remplacez la batterie par une autre complètement chargée.
Vérifiez le bon fonctionnement du témoin DEL, de la lampe et de l'avertisseur sonore	Cette fonction s'active pour vérifier le bon fonctionnement du témoin DEL, de la lampe et de l'avertisseur sonore lors de l'insertion d'une batterie dans l'outil.	S'allume d'abord en vert, puis en rouge. (Ensuite la lampe s'allume.)	Série de très courts signaux sonores	—
Anti-réinitialisation du contrôleur	Cette fonction s'active lorsqu'une baisse anormale de tension survient sur la batterie pour une raison quelconque, et l'outil s'arrête.	Clignote alternativement en rouge et en vert.	Série de courts signaux sonores	Remplacez la batterie par une autre complètement chargée.
Surchauffe	Cette fonction s'active lorsque la température du contrôleur est trop élevée, et l'outil s'arrête.	Clignote rapidement en rouge.	Série de courts signaux sonores	Retirez immédiatement la batterie et laissez refroidir l'outil.
Erreur d'utilisation de la gâchette	Cette fonction s'active pour éviter que l'outil ne démarre immédiatement après l'insertion de la batterie dans l'outil si une pression est alors exercée sur la gâchette.	Clignote alternativement en rouge et en vert.	Série de courts signaux sonores	Relâchez la gâchette.
Avertissement : limite de la capacité de serrage	L'outil s'arrête automatiquement sans que l'embrayage fonctionne si la limite de la capacité de serrage est dépassée.	Clignote alternativement en rouge et en vert.	Série de courts signaux sonores	Retirez la batterie, puis remettez-la en place. Veillez à utiliser l'outil sous charge dans la limite de ses capacités.

013073

Réglage du couple de serrage (Fig. 6 et 7)

Pour serrer des vis de mécanique, des vis à bois, des boulons hexagonaux, etc., avec un couple de serrage donné, procédez au réglage du couple de serrage de la façon suivante.

1. Retirez d'abord la batterie de l'outil.
2. Desserrez les vis qui retiennent le couvercle de la lampe.
3. Tournez manuellement l'anneau à l'avant de l'outil de sorte que l'orifice soit visible sous l'anneau.
4. Mettez la batterie en place et appuyez sur la gâchette. Relâchez-la de sorte que l'anneau de réglage tourne et devienne visible dans l'orifice. Retirez ensuite la batterie.
5. Utilisez la poignée de réglage en option pour régler le couple de serrage. Insérez la broche de la poignée de réglage dans l'orifice à l'avant de l'outil. Tournez ensuite la poignée de réglage dans le sens des aiguilles d'une montre pour augmenter le couple de serrage, et dans le sens inverse pour le réduire.
6. Alignez la ligne jaune sur le numéro désiré de l'échelle du couple de serrage.
7. Insérez la batterie et assurez-vous que le couple de serrage est bien réglé, au moyen d'un testeur de couple de serrage.

8. Tournez l'anneau à l'avant de l'outil puis serrez la vis pour fixer l'anneau.

NOTE :

- Les numéros inscrits sur l'échelle du couple de serrage permettent d'effectuer un réglage approximatif du couple de serrage désiré.

ASSEMBLAGE

⚠ ATTENTION :

- Assurez-vous toujours que l'outil est hors tension et que sa batterie est retirée avant d'effectuer tout travail dessus.

Sélection de la bonne douille ou du bon embout

Pour certains modèles il existe différents types de douilles ou embouts, suivant le travail à effectuer. Veuillez choisir et installer une douille ou un embout qui convient au travail à effectuer.

Installation ou retrait de la douille (Fig. 8)

Pour installer la douille, poussez-la dans le carré conducteur de l'outil à l'aide d'une main tout en appuyant de l'autre main sur la broche du carré conducteur jusqu'à ce que la douille se verrouille en place. Pour retirer la douille, tirez simplement dessus en appuyant sur la broche du carré conducteur.

Installation ou retrait de l'embout (Fig. 9)

Outils munis d'un manchon rétractable

Pour poser l'embout, tirez sur le manchon dans le sens de la flèche et insérez l'embout à fond dans le manchon. Libérez ensuite le manchon pour fixer l'embout.

Pour retirer l'embout, tirez le manchon dans le sens de la flèche et tirez fermement sur l'embout.

Outils sans manchon rétractable

Pour installer l'embout, introduisez-le simplement à fond dans l'arbre. Pour retirer l'embout, tirez fermement dessus.

UTILISATION

Saisissez fermement l'outil et placez la douille sur le boulon ou l'écrou. Mettez ensuite l'outil sous tension. Lorsque l'embrayage s'active, le moteur s'arrête automatiquement. Relâchez ensuite la gâchette.

NOTE :

- Tenez l'outil en pointant le carré conducteur bien droit sur le boulon ou l'écrou pour éviter d'endommager le boulon ou l'écrou.

Limites de la capacité de serrage

Utilisez l'outil dans la plage de l'angle de rotation de 360° maximum. Si vous dépassez ces limites lors de l'utilisation, l'embrayage ne fonctionnera plus. De plus, l'outil ne pourra pas fournir un couple de serrage suffisant (le témoin DEL clignote alternativement en rouge et vert).

NOTE :

- L'angle de rotation fait référence à l'angle sur lequel une vis ou un boulon tourne lorsque l'outil passe de 50 % à 100 % du couple désiré.
- Lors de l'utilisation de la batterie à basse température, il arrive parfois qu'un témoin d'avertissement et un avertisseur sonore signalent que la batterie est faible, l'outil s'arrête alors immédiatement. À basse température, il se peut également que la capacité de serrage soit inférieure aux spécifications indiquées dans ce manuel même avec une batterie chargée.

ENTRETIEN

⚠ ATTENTION :

- Assurez-vous toujours que l'outil est hors tension et la batterie retirée avant d'effectuer tout travail d'inspection ou d'entretien.
- N'utilisez jamais d'essence, benzine, diluant, alcool ou autre produit similaire. Cela risquerait de provoquer la décoloration, la déformation ou la fissuration de l'outil.

Remplacement des charbons (Fig. 10 et 11)

Retirez et vérifiez régulièrement les charbons. Remplacez-les lorsqu'ils sont usés jusqu'au repère d'usure. Maintenez les charbons propres et en état de glisser aisément dans les porte-charbon. Les deux charbons doivent être remplacés en même temps. N'utilisez que des charbons identiques.

Retirez les bouchons de porte-charbon à l'aide d'un tournevis. Enlevez les charbons usés, insérez les charbons neufs et revissez solidement les bouchons de porte-charbon.

Pour maintenir la SÉCURITÉ et la FIABILITÉ du produit, les réparations, travaux d'entretien et autres réglages doivent être effectués dans un centre de service Makita agréé, exclusivement avec des pièces de rechange Makita.

ACCESSOIRES EN OPTION

⚠ ATTENTION :

- Ces accessoires ou pièces complémentaires sont recommandés pour l'utilisation avec l'outil Makita spécifié dans ce mode d'emploi. L'utilisation de tout autre accessoire ou pièce complémentaire peut comporter un risque de blessure. N'utilisez les accessoires ou pièces qu'aux fins auxquelles ils ont été conçus.

Si vous désirez obtenir plus de détails concernant ces accessoires, veuillez contacter le centre de service après-vente Makita le plus près.

- Protecteur
- Batterie et chargeur Makita authentiques
- Ensemble de tête angulaire
- Poignée de réglage
- Accessoire antirecul
- Broche complète

NOTE :

- Il se peut que certains éléments de la liste soient compris dans l'emballage de l'outil en tant qu'accessoires standard. Ils peuvent varier d'un pays à l'autre.

ENG905-1

Bruit

Niveau de bruit pondéré A typique, déterminé selon EN62841 :

Niveau de pression sonore (L_{pA}) : 70 dB (A) ou moins

Incertitude (K) : 3 dB (A)

Le niveau de bruit en fonctionnement peut dépasser 80 dB (A).

ENG907-1

NOTE :

- La ou les valeurs d'émission de bruit déclarées ont été mesurées conformément à la méthode de test standard et peuvent être utilisées pour comparer les outils entre eux.
- La ou les valeurs d'émission de bruit déclarées peuvent aussi être utilisées pour l'évaluation préliminaire de l'exposition.

⚠ AVERTISSEMENT :

- Portez un serre-tête antibruit.
- L'émission de bruit lors de l'usage réel de l'outil électrique peut être différente de la ou des valeurs déclarées, suivant la façon dont l'outil est utilisé, particulièrement selon le type de pièce usinée.
- Les mesures de sécurité à prendre pour protéger l'utilisateur doivent être basées sur une estimation de l'exposition dans des conditions réelles d'utilisation (en tenant compte de toutes les composantes du cycle d'utilisation, comme par exemple le moment de sa mise hors tension, lorsqu'il tourne à vide et le moment de son déclenchement).

Vibrations

Valeur totale de vibrations (somme de vecteur triaxial) déterminée selon EN62841 :

Mode de travail : vissage sans impact

Emission de vibrations (a_w) : 2,5 m/s² ou moins

Incertitude (K) : 1,5 m/s²

ENG901-2

NOTE :

- La ou les valeurs de vibration totales déclarées ont été mesurées conformément à la méthode de test standard et peuvent être utilisées pour comparer les outils entre eux.
- La ou les valeurs de vibration totales déclarées peuvent aussi être utilisées pour l'évaluation préliminaire de l'exposition.

⚠ AVERTISSEMENT :

- **L'émission de vibrations lors de l'usage réel de l'outil électrique peut être différente de la ou des valeurs déclarées, suivant la façon dont l'outil est utilisé, particulièrement selon le type de pièce usinée.**
- **Les mesures de sécurité à prendre pour protéger l'utilisateur doivent être basées sur une estimation de l'exposition dans des conditions réelles d'utilisation (en tenant compte de toutes les composantes du cycle d'utilisation, comme par exemple le moment de sa mise hors tension, lorsqu'il tourne à vide et le moment de son déclenchement).**

DÉCLARATION DE CONFORMITÉ CE

Pour les pays d'Europe uniquement

La déclaration de conformité CE est fournie en Annexe A à ce mode d'emploi.

Übersicht

1 Rote Anzeige	10 Einstellknopf	19 Loch
2 Knopf	11 Ring	20 Stift
3 Akku	12 Winkelkopf	21 Schraubendrehereinsatz
4 Anzeigelampen	13 Einstellung	22 Werkzeugaufnahme
5 Prüftaste	14 Skala	23 Verschleißgrenze
6 Elektronikschalter	15 Loch für Einstellknopf	24 Schraubendreher
7 Drehrichtungsumschalter	16 Gelbe Linie	25 Bürstenhalterkappe
8 Lampe	17 Druckfeder	
9 LED-Anzeige	18 Steckschlüssel	

TECHNISCHE DATEN

Modell		DFL061F	DFL082F	DFL122F	DFL202F
Anzugsmoment	Hartverbindung	1,5 – 6 N·m	2 – 8 N·m	5 – 12 N·m	8 – 20 N·m
	Weichverbindung	1,5 – 6 N·m	2 – 8 N·m	5 – 12 N·m	8 – 20 N·m
Winkelantriebskopf		9,5-mm-Vierkant oder 6,35-mm-Sechskant			
Leerlaufdrehzahl (min ⁻¹)		470	700	410	220
Gesamtlänge (Abhängig vom Akku)		405 – 422 mm			
Nettogewicht		1,5 – 2,1 kg			
Nennspannung		14,4 V Gleichstrom			

- Aufgrund unseres Dauerprogramms der Forschung und Entwicklung unterliegen die hier angegebenen technischen Daten Änderung ohne Vorankündigung.
- Die technischen Daten können von Land zu Land abweichen.
- Das Gewicht kann je nach dem Aufsatz bzw. den Aufsätzen, einschließlich des Akkus, unterschiedlich sein. Die leichteste und die schwerste Kombination nach dem EPTA-Verfahren 01/2014 sind in der Tabelle angegeben.

Zutreffende Akkus und Ladegeräte

Akku	BL1415N / BL1415NA / BL1430 / BL1430B / BL1440 / BL1450 / BL1460A / BL1460B
Ladegerät	DC18RC / DC18RD / DC18RE / DC18SD / DC18SE / DC18SF

- Einige der oben aufgeführten Akkus und Ladegeräte sind je nach Ihrem Wohngebiet eventuell nicht erhältlich.

⚠️ WARNUNG: Verwenden Sie nur die oben aufgeführten Akkus und Ladegeräte. Bei Verwendung anderer Akkus und Ladegeräte besteht Verletzungs- und/oder Brandgefahr.

ENE033-1

GEB139-1

Vorgesehene Verwendung

Die Maschine ist für Schraubetrieb in Holz, Metall und Kunststoff vorgesehen.

GEA010-2

Allgemeine Sicherheitswarnungen für Elektrowerkzeuge

⚠️ WARNUNG Lesen Sie alle mit diesem Elektrowerkzeug gelieferten Sicherheitswarnungen, Anweisungen, Abbildungen und technischen Daten durch. Eine Missachtung der unten aufgeführten Anweisungen kann zu einem elektrischen Schlag, Brand und/oder schweren Verletzungen führen.

Bewahren Sie alle Warnungen und Anweisungen für spätere Bezugnahme auf.

Der Ausdruck „Elektrowerkzeug“ in den Warnhinweisen bezieht sich auf Ihr mit Netzstrom (mit Kabel) oder Akku (ohne Kabel) betriebenes Elektrowerkzeug.

SICHERHEITSWARNUNGEN FÜR AKKU-SCHRAUBER

1. **Halten Sie das Elektrowerkzeug nur an den isolierten Griffflächen, wenn Sie Arbeiten ausführen, bei denen die Gefahr besteht, dass das Befestigungselement verborgene Kabel kontaktiert.** Bei Kontakt mit einem Strom führenden Kabel können die freiliegenden Metallteile des Elektrowerkzeugs ebenfalls Strom führend werden, so dass der Benutzer einen elektrischen Schlag erleiden kann.
2. **Achten Sie stets auf sicheren Stand. Vergewissern Sie sich bei Einsatz des Werkzeugs an hochgelegenen Arbeitsplätzen, dass sich keine Personen darunter aufhalten.**
3. **Halten Sie das Werkzeug mit festem Griff.**
4. **Halten Sie Ihre Hände von rotierenden Teilen fern.**
5. **Vermeiden Sie eine Berührung des Einsatzes oder des Werkstücks unmittelbar nach der Bearbeitung, weil die Teile noch sehr heiß sind und Hautverbrennungen verursachen können.**

- Spannen Sie Werkstücke stets in einen Schraubstock oder eine ähnliche Aufspannvorrichtung ein.

DIESE ANWEISUNGEN AUFBEWAHREN.

⚠️ WARNUNG:

Lassen Sie sich NICHT durch Bequemlichkeit oder Vertrautheit mit dem Produkt (durch wiederholten Gebrauch erworben) von der strikten Einhaltung der Sicherheitsregeln für das vorliegende Produkt abhalten. MISSBRAUCH oder Missachtung der Sicherheitsvorschriften in dieser Anleitung können schwere Verletzungen verursachen.

ENC007-12

WICHTIGE SICHERHEITSANWEISUNGEN FÜR AKKU

- Lesen Sie vor der Benutzung des Akkus alle Anweisungen und Warnhinweise, die an (1) Ladegerät, (2) Akku und (3) Akkuwerkzeug angebracht sind.
- Unterlassen Sie ein Zerlegen des Akkus.
- Falls die Betriebszeit beträchtlich kürzer geworden ist, stellen Sie den Betrieb sofort ein. Anderenfalls besteht die Gefahr von Überhitzung, möglichen Verbrennungen und sogar einer Explosion.
- Falls Elektrolyt in Ihre Augen gelangt, waschen Sie sie mit sauberem Wasser aus, und begeben Sie sich unverzüglich in ärztliche Behandlung. Anderenfalls können Sie Ihre Sehkraft verlieren.
- Der Akku darf nicht kurzgeschlossen werden:
 - Die Kontakte dürfen nicht mit leitfähigem Material berührt werden.
 - Lagern Sie den Akku nicht in einem Behälter zusammen mit anderen Metallgegenständen, wie z. B. Nägel, Münzen usw.
 - Setzen Sie den Akku weder Wasser noch Regen aus.

Ein Kurzschluss des Akkus verursacht starken Stromfluss, der Überhitzung, mögliche Verbrennungen und einen Defekt zur Folge haben kann.

- Lagern Sie das Werkzeug und den Akku nicht an Orten, an denen die Temperatur 50°C erreichen oder überschreiten kann.
- Versuchen Sie niemals, den Akku zu verbrennen, selbst wenn er stark beschädigt oder vollkommen verbraucht ist. Der Akku kann im Feuer explodieren.
- Achten Sie darauf, dass der Akku nicht fallen gelassen oder Stößen ausgesetzt wird.
- Benutzen Sie keine beschädigten Akkus.
- Die enthaltenen Lithium-Ionen-Akkus unterliegen den Anforderungen der Gefahrengut-Gesetzgebung.

Für kommerzielle Transporte, z. B. durch Dritte oder Spediteure, müssen besondere Anforderungen zu Verpackung und Etikettierung beachtet werden.

Zur Vorbereitung des zu transportierenden Artikels ist eine Beratung durch einen Experten für Gefahrengut erforderlich. Bitte beachten Sie möglicherweise ausführlichere nationale Vorschriften.

Überkleben oder verdecken Sie offene Kontakte, und verpacken Sie den Akku so, dass er sich in der Verpackung nicht umher bewegen kann.

- Befolgen Sie die örtlichen Bestimmungen bezüglich der Entsorgung von Akkus.
- Verwenden Sie die Akkus nur mit den von Makita angegebenen Produkten. Das Einsetzen der Akkus in nicht konforme Produkte kann zu einem Brand, übermäßiger Hitzebildung, einer Explosion oder Auslaufen von Elektrolyt führen.

DIESE ANWEISUNGEN AUFBEWAHREN.

⚠️ VORSICHT: Verwenden Sie nur Original-Makita-Akkus.

Die Verwendung von Nicht-Original-Makita-Akkus oder von Akkus, die abgeändert worden sind, kann zum Bersten des Akkus und daraus resultierenden Bränden, Personenschäden und Beschädigung führen. Außerdem wird dadurch die Makita-Garantie für das Makita-Werkzeug und -Ladegerät ungültig.

Hinweise zur Aufrechterhaltung der maximalen Akku-Nutzungsdauer

- Laden Sie den Akku, bevor er vollkommen erschöpft ist. Schalten Sie das Werkzeug stets aus, und laden Sie den Akku, wenn Sie ein Nachlassen der Werkzeugleistung feststellen.
- Unterlassen Sie erneutes Laden eines voll aufgeladenen Akkus. Überladen führt zu einer Verkürzung der Nutzungsdauer des Akkus.
- Laden Sie den Akku bei Raumtemperatur zwischen 10 – 40°C. Lassen Sie einen heißen Akku abkühlen, bevor Sie ihn laden.
- Der Akku muss geladen werden, wenn er lange Zeit (länger als sechs Monate) nicht benutzt wird.

FUNKTIONSBESCHREIBUNG

⚠️ VORSICHT:

- Vergewissern Sie sich vor der Durchführung von Einstellungen oder Funktionsprüfungen der Maschine stets, dass die Maschine ausgeschaltet und der Akku abgenommen ist.

Anbringen und Abnehmen des Akkus (Abb. 1)

⚠️ VORSICHT:

- Schalten Sie stets die Maschine aus, bevor Sie den Akku anbringen oder abnehmen.
- Halten Sie Maschine und Akku beim Anbringen oder Abnehmen des Akkus sicher fest. Wenn Sie Maschine und Akku nicht sicher festhalten, können sie Ihnen aus der Hand rutschen, was zu einer Beschädigung der Maschine und des Akkus und zu Körperverletzungen führen kann.

Ziehen Sie den Akku zum Abnehmen von der Maschine ab, während Sie den Knopf an der Vorderseite des Akkus verschieben.

Richten Sie zum Anbringen des Akkus dessen Führungsfeder auf die Nut im Gehäuse aus, und schieben Sie den Akku hinein. Schieben Sie ihn vollständig ein, bis er mit einem hörbaren Klicken einrastet. Falls die rote Anzeige an der Oberseite des Knopfes sichtbar ist, ist der Akku-Adapter nicht vollständig verriegelt.

⚠️ VORSICHT:

- Schieben Sie den Akku stets bis zum Anschlag ein, bis die rote Anzeige nicht mehr sichtbar ist. Anderenfalls kann er aus der Maschine herausfallen und Sie oder umstehende Personen verletzen.

- Unterlassen Sie Gewaltanwendung beim Anbringen des Akkus. Falls der Akku nicht reibungslos hineingleitet, ist er nicht richtig ausgerichtet.

Prüfen der Akku-Restladung (BL1460A) (Abb. 2)

HINWEIS:

- Abhängig von den Benutzungsbedingungen und der Umgebungstemperatur kann die Anzeige geringfügig von der tatsächlichen Kapazität abweichen.

Beim Laden

Zu Beginn des Ladevorgangs beginnt die erste (linke) Anzeigenleuchte zu flackern. Mit fortschreitendem Ladevorgang leuchten die andern Lampen nach und nach auf und zeigen den Ladezustand an.

HINWEIS:

- Falls die Anzeigelampe beim Laden nicht aufleuchtet oder flackert, ist der Akku möglicherweise defekt. Wenden Sie sich in diesem Fall an Ihr lokales Kundenzentrum.

Im Gebrauch

Wenn das Werkzeug eingeschaltet wird, leuchten die Lampen auf, um die Akku-Restkapazität anzuzeigen. Wenn das Werkzeug ausgeschaltet wird, erlischt die Lampe nach ca. 5 Sekunden.

Wenn Sie die Prüftaste bei ausgeschaltetem Werkzeug drücken, leuchten die Anzeigelampen ca. 5 Sekunden lang auf, um die Akkukapazität anzuzeigen.

Falls die orangefarbene Lampe flackert, bleibt das Werkzeug wegen geringer Akku-Restkapazität stehen (Abschaltautomatik). Laden Sie in diesem Fall den Akku auf, oder verwenden Sie einen geladenen Akku.

Wenn das Werkzeug mit einem längere Zeit unbenutzten Akku verwendet und eingeschaltet wird, leuchten u. U. keine Lampen auf. In diesem Fall schaltet sich das Werkzeug wegen geringer Akku-Restkapazität aus. Laden Sie den Akku ordnungsgemäß auf.

Schalterfunktion (Abb. 3)

⚠ VORSICHT:

- Vergewissern Sie sich vor dem Einsetzen des Akkus in die Maschine stets, dass der Elektronikschalter ordnungsgemäß funktioniert und beim Loslassen in die AUS-Stellung zurückkehrt.

Zum Einschalten der Maschine einfach den Elektronikschalter drücken. Zum Ausschalten den Elektronikschalter loslassen.

Funktion des Drehrichtungsumschalters (Abb. 4)

⚠ VORSICHT:

- Prüfen Sie stets die Drehrichtung, bevor Sie mit der Arbeit beginnen.
- Betätigen Sie den Drehrichtungsumschalter erst, nachdem die Maschine völlig zum Stillstand gekommen ist. Durch Umschalten der Drehrichtung bei noch laufender Maschine kann die Maschine beschädigt werden.
- Stellen Sie den Drehrichtungsumschalter stets auf die Neutralstellung, wenn Sie die Maschine nicht benutzen.

Diese Maschine besitzt einen Drehrichtungsumschalter. Drücken Sie auf die Seite A des Drehrichtungsumschalters für Rechtsdrehung, und auf die Seite B für Linksdrehung.

In der Neutralstellung des Drehrichtungsumschalters ist der Elektronikschalter verriegelt.

Einschalten der Lampen (Abb. 5)

⚠ VORSICHT:

- Blicken Sie nicht direkt in die Lampe oder die Lichtquelle.

Betätigen Sie den Elektronikschalter, um die Lampe einzuschalten. Die Lampe bleibt erleuchtet, solange der Elektronikschalter gedrückt gehalten wird. Die Lampe erlischt automatisch 10 Sekunden nach dem Loslassen des Elektronikschalters.

HINWEIS:

- Wischen Sie Schmutz auf der Lampenlinse mit einem trockenen Tuch ab. Achten Sie sorgfältig darauf, dass Sie die Lampenlinse nicht verkratzen, weil sich sonst die Lichtstärke verringert.

LED-Anzeige / Summer

LED-Anzeige / Summer an der Maschine zeigen die folgenden Funktionen an.

Funktion	Status	Status von LED-Anzeige/Summer		Abhilfemaßnahme
		LED-Anzeige	Summer	
Autostopp-Befestigung	Diese Funktion wird wirksam, wenn die Maschine das voreingestellte Anzugsmoment erreicht hat und die normale Befestigung beendet ist. Dies trägt zur Vermeidung von zu starkem Anziehen bei.	Leuchtet für ungefähr eine Sekunde in Grün auf.	—	—
Verzögerter Neustart	Die Maschine startet für ungefähr eine Sekunde nach der Autostopp-Befestigung nicht, selbst wenn der Elektronikschalter betätigt wird.			

Funktion	Status	Status von LED-Anzeige/Summer		Abhilfemaßnahme
		LED-Anzeige	Summer	
Warnung vor unzureichender Befestigung	Unzureichende Befestigung wurde durchgeführt, wenn der Elektronikschalter vor Erreichen des voreingestellten Anzugsmoments losgelassen wurde.	Leuchtet in Rot auf.	Ein langer Piepton	Die Schraube nachziehen.
Warnung für Akkukapazität	Dies zeigt an, dass der Akku schwach wird und bald ausgetauscht werden sollte.	Blinkt langsam in Rot.	Eine Folge langer Pieptöne	Den Akku durch einen voll geladenen ersetzen.
Überprüfung der Akku-Restkapazität, Autostopp	Diese Funktion wird wirksam, wenn der Akku fast leer ist. Zu diesem Zeitpunkt bleibt die Maschine sofort stehen.	Leuchtet in Rot auf.	Ein langer Piepton	Den Akku durch einen voll geladenen ersetzen.
Funktion von LED-Anzeige, Lampe und Summer überprüfen	Diese Funktion dient dazu, den korrekten Betrieb der LED-Anzeige, der Lampe und des Summers zu überprüfen, wenn ein Akku in die Maschine eingesetzt worden ist.	Leuchtet zuerst in Grün, dann in Rot auf. (Und dann leuchtet die Lampe auf.)	Eine Folge sehr kurzer Pieptöne	—
Anti-Rückstellung des Steuergerätes	Diese Funktion wird wirksam, wenn aus irgendeinem Grund ein ungewöhnlicher Akkuspannungsabfall auftritt und die Maschine stehen bleibt.	Blinkt abwechselnd in Rot und Grün.	Eine Folge kurzer Pieptöne	Den Akku durch einen voll geladenen ersetzen.
Überhitzung	Diese Funktion wird wirksam, wenn die Temperatur des Steuergerätes auf einen sehr hohen Wert steigt und die Maschine stehen bleibt.	Blinkt schnell in Rot.	Eine Folge kurzer Pieptöne	Den Akku sofort abnehmen, und die Maschine abkühlen lassen.
Bedienungsfehler des Elektronikschalters	Diese Funktion dient dazu, den sofortigen Start der Maschine nach dem Einsetzen des Akkus bei betätigtem Elektronikschalter zu verhindern.	Blinkt abwechselnd in Rot und Grün.	Eine Folge kurzer Pieptöne	Lassen Sie den Elektronikschalter los.
Warnung für Grenze der Anzugskapazität	Die Maschine bleibt automatisch stehen, ohne dass die Kupplung funktioniert, wenn die Anzugskapazitätsgrenze überschritten wird.	Blinkt abwechselnd in Rot und Grün.	Eine Folge kurzer Pieptöne	Die Akku abnehmen und wieder einsetzen. Benutzen Sie die Maschine unter Last innerhalb ihrer Kapazität.

013073

Einstellen des Anzugsmoments (Abb. 6 und 7)

Wenn Sie Maschinenschrauben, Holzschrauben, Sechskantschrauben usw. mit dem vorgegebenen Drehmoment eindrehen möchten, stellen Sie das Anzugsmoment wie folgt ein.

1. Nehmen Sie zuerst den Akku von der Maschine ab.
2. Lösen Sie die Befestigungsschrauben der Lampenabdeckung.
3. Drehen Sie den Ring an der Vorderseite der Maschine mit der Hand, so dass ein Loch unter dem Ring sichtbar ist.
4. Setzen Sie den Akku ein, und betätigen Sie den Elektronikschalter. Lassen Sie den Schalter los, so dass der Einstellring sich dreht und im Loch sichtbar wird. Nehmen Sie dann den Akku ab.
5. Benutzen Sie einen optionalen Einstellknopf, um das Anzugsmoment einzustellen. Führen Sie den Stift des Einstellknopfes in das Loch an der Vorderseite der Maschine ein. Drehen Sie dann den Einstellknopf im Uhrzeigersinn, um ein höheres Anzugsmoment einzustellen, bzw. entgegen dem Uhrzeigersinn, um ein niedrigeres Anzugsmoment einzustellen.
6. Richten Sie die gelbe Linie auf die gewünschte Zahl der Anzugsmomentskala aus.
7. Setzen Sie den Akku ein, und stellen Sie mithilfe eines Anzugsmomentprüfers sicher, dass ein Anzugsmoment eingerichtet worden ist.
8. Drehen Sie den Ring an der Vorderseite der Maschine, und ziehen Sie dann die Schraube zur Sicherung des Rings an.

HINWEIS:

- Die Nummern auf der Anzugsmomentskala sind eine Orientierungshilfe zur Einrichtung des gewünschten Anzugsmoments.

MONTAGE

VORSICHT:

- Vergewissern Sie sich vor der Ausführung von Arbeiten an der Maschine stets, dass die Maschine ausgeschaltet und der Akku abgenommen ist.

Auswählen des korrekten Steckschlüssel- oder Schraubendrehereinsatzes

Je nach Anwendung sind für manche Modelle unterschiedliche Steckschlüssel- oder Schraubendrehereinsätze erhältlich. Wählen und installieren Sie den korrekten Steckschlüssel-Schraubendrehereinsatz für Ihre Anwendung.

Anbringen und Abnehmen des Steckschlüsseleinsatzes (Abb. 8)

Um den Steckschlüsseleinsatz anzubringen, drücken Sie ihn mit der einen Hand auf den Innenvierkant der Maschine, während Sie mit der anderen Hand den Stift am Innenvierkant hineindrücken, bis der Einsatz einrastet. Um den Steckschlüsseleinsatz abzunehmen, ziehen Sie ihn einfach ab, während Sie den Stift am Innenvierkant hineindrücken.

Anbringen und Abnehmen des Einsatzes (Abb. 9)

Für Maschinen mit Rückzughülse

Ziehen Sie die Werkzeugaufnahme zum Anbringen des Einsatzes in Pfeilrichtung, und führen Sie den Einsatz bis zum Anschlag in die Werkzeugaufnahme ein. Lassen Sie dann die Werkzeugaufnahme los, um den Einsatz zu sichern.

Ziehen Sie die Werkzeugaufnahme zum Abnehmen des Einsatzes in Pfeilrichtung, und ziehen Sie dann den Einsatz kräftig heraus.

Für Maschinen ohne Rückzughülse

Um den Einsatz anzubringen, schieben Sie ihn einfach bis zum Anschlag auf die Spindel. Um den Einsatz abzunehmen, ziehen Sie ihn kräftig heraus.

BETRIEB

Halten Sie die Maschine mit festem Griff, und setzen Sie den Steckschlüsseleinsatz auf die Schraube oder Mutter. Schalten Sie dann die Maschine ein. Wenn die Kupplung ausrückt, bleibt der Motor automatisch stehen. Lassen Sie dann den Elektronikschalter los.

HINWEIS:

- Halten Sie die Maschine so, dass ihr Innenvierkant gerade auf die Schraube oder Mutter gerichtet ist, weil anderenfalls die Schraube oder Mutter beschädigt wird.

Grenzen der Anzugskapazität

Benutzen Sie die Maschine innerhalb des Drehwinkelbereichs von bis zu 360°. Wird die Maschine oberhalb der Obergrenze dieses Bereichs benutzt, funktioniert die Kupplung nicht. Und die Maschine kann kein ausreichendes Anzugsmoment liefern (LED-Anzeige blinkt abwechselnd in Rot und Grün).

HINWEIS:

- Der Drehwinkel ist der Winkel, um den sich eine Schraube dreht, wenn die Maschine 100% von 50% des gewünschten Anzugsmoments erreicht.
- Bei Verwendung eines auf niedrige Temperaturen abgestimmten Akkus kann manchmal eine Akkukapazitätswarnung durch Warnlampe und Summer abgegeben werden, worauf die Maschine sofort stehen bleibt. In diesem Fall kann die Anzugskapazität unter der Spezifikation in dieser Anleitung liegen, selbst wenn ein voll aufgeladener Akku verwendet wird.

WARTUNG

VORSICHT:

- Vergewissern Sie sich vor der Durchführung von Inspektions- oder Wartungsarbeiten stets, dass die Maschine ausgeschaltet und der Akku abgenommen ist.
- Verwenden Sie auf keinen Fall Benzin, Benzol, Verdünner, Alkohol oder dergleichen. Solche Mittel können Verfärbung, Verformung oder Rissbildung verursachen.

Auswechseln der Kohlebürsten (Abb. 10 und 11)

Die Kohlebürsten müssen regelmäßig entfernt und überprüft werden. Wenn sie bis zur Verschleißgrenze abgenutzt sind, müssen sie erneuert werden. Halten Sie die Kohlebürsten stets sauber, damit sie ungehindert in den Haltern gleiten können. Beide Kohlebürsten sollten gleichzeitig erneuert werden. Verwenden Sie nur identische Kohlebürsten.

Die Bürstenhalterkappen mit einem Schraubendreher herausdrehen. Die abgenutzten Kohlebürsten herausnehmen, die neuen einsetzen, und dann die Bürstenhalterkappen wieder eindrehen.

Um die SICHERHEIT und ZUVERLÄSSIGKEIT dieses Produkts zu gewährleisten, sollten Reparaturen und andere Wartungs- oder Einstellarbeiten nur von Makita-Kundendienstzentren unter ausschließlicher Verwendung von Makita-Originalersatzteilen ausgeführt werden.

SONDERZUBEHÖR

VORSICHT:

- Die folgenden Zubehörteile oder Vorrichtungen werden für den Einsatz mit der in dieser Anleitung beschriebenen Makita-Maschine empfohlen. Die Verwendung anderer Zubehörteile oder Vorrichtungen kann eine Verletzungsgefahr darstellen. Verwenden Sie Zubehörteile oder Vorrichtungen nur für ihren vorgesehenen Zweck.

Wenn Sie weitere Einzelheiten bezüglich dieser Zubehörteile benötigen, wenden Sie sich bitte an Ihre Makita-Kundendienststelle.

- Schutzkappe
- Original-Makita-Akku und -Ladegerät
- Winkelkopfsatz
- Einstellknopf
- Rückschlagsicherungsaufsatz
- Spindel komplett

HINWEIS:

- Manche Teile in der Liste können als Standardzubehör im Werkzeugsatz enthalten sein. Sie können von Land zu Land unterschiedlich sein.

Geräusch

Typischer A-bewerteter Geräuschpegel ermittelt gemäß EN62841:

Schalldruckpegel (L_{pA}): 70 dB (A) oder weniger
 Ungewissheit (K): 3 dB (A)

Der Geräuschpegel während des Betriebs kann 80 dB (A) überschreiten.

ENG907-1

HINWEIS:

- Der (Die) angegebene(n) Schallemissionswert(e) wurde(n) im Einklang mit der Standardprüfmethode gemessen und kann (können) für den Vergleich zwischen Werkzeugen herangezogen werden.
- Der (Die) angegebene(n) Schallemissionswert(e) kann (können) auch für eine Vorbewertung des Gefährdungsgrads verwendet werden.

⚠️ WARNUNG:

- **Einen Gehörschutz tragen.**
- **Die Schallemission während der tatsächlichen Benutzung des Elektrowerkzeugs kann je nach der Benutzungsweise des Werkzeugs, und speziell je nach der Art des bearbeiteten Werkstücks, von dem (den) angegebenen Wert(en) abweichen.**
- **Identifizieren Sie Sicherheitsmaßnahmen zum Schutz des Benutzers anhand einer Schätzung des Gefährdungsgrads unter den tatsächlichen Benutzungsbedingungen (unter Berücksichtigung aller Phasen des Arbeitszyklus, wie z. B. Ausschalt- und Leerlaufzeiten des Werkzeugs zusätzlich zur Betriebszeit).**

ENG900-1

Vibration

Vibrationsgesamtwert (Drei-Achsen-Vektorsumme) ermittelt gemäß EN62841:

Arbeitsmodus: Schraubbetrieb ohne Schlag
 Vibrationsemission (a_{h1}): 2,5 m/s² oder weniger
 Ungewissheit (K): 1,5 m/s²

ENG901-2

HINWEIS:

- Der (Die) angegebene(n) Vibrationsgesamtwert(e) wurde(n) im Einklang mit der Standardprüfmethode gemessen und kann (können) für den Vergleich zwischen Werkzeugen herangezogen werden.
- Der (Die) angegebene(n) Vibrationsgesamtwert(e) kann (können) auch für eine Vorbewertung des Gefährdungsgrads verwendet werden.

⚠️ WARNUNG:

- **Die Vibrationsemission während der tatsächlichen Benutzung des Elektrowerkzeugs kann je nach der Benutzungsweise des Werkzeugs, und speziell je nach der Art des bearbeiteten Werkstücks, von dem (den) angegebenen Emissionswert(en) abweichen.**
- **Identifizieren Sie Sicherheitsmaßnahmen zum Schutz des Benutzers anhand einer Schätzung des Gefährdungsgrads unter den tatsächlichen Benutzungsbedingungen (unter Berücksichtigung aller Phasen des Arbeitszyklus, wie z. B. Ausschalt- und Leerlaufzeiten des Werkzeugs zusätzlich zur Betriebszeit).**

Visione generale

1	Indicatore rosso	10	Impugnatura di regolazione	18	Bussola
2	Bottone	11	Anello	19	Foro
3	Batteria	12	Testa angolare	20	Perno
4	Indicatori luminosi	13	Anello di regolazione	21	Punta vite
5	Pulsante di controllo	14	Scala	22	Manicotto
6	Interruttore	15	Foro per impugnatura di regolazione	23	Segno di limite
7	Leva interruttore di inversione	16	Linea gialla	24	Cacciavite
8	Lampadina	17	Molla di compressione	25	Tappo portaspaiole
9	Indicatore a LED				

DATI TECNICI

Modello		DFL061F	DFL082F	DFL122F	DFL202F
Coppia di serraggio	Giunto duro	1,5 – 6 N·m	2 – 8 N·m	5 – 12 N·m	8 – 20 N·m
	Giunto morbido	1,5 – 6 N·m	2 – 8 N·m	5 – 12 N·m	8 – 20 N·m
Testa angolare avvitatore		9,5 mm quadrata o 6,35 mm esagonale			
Velocità senza carico (min ⁻¹)		470	700	410	220
Lunghezza complessiva (A seconda della batteria)		405 – 422 mm			
Peso netto		1,5 – 2,1 kg			
Tensione nominale		C.c. 14,4 V			

- Per il nostro continuo programma di ricerca e sviluppo, i presenti dati tecnici sono soggetti a cambiamenti senza avviso.
- I dati tecnici potrebbero differire a seconda del paese di destinazione del modello.
- Il peso può variare a seconda dell'accessorio o degli accessori, inclusa la cartuccia della batteria. La combinazione più leggera e quella più pesante, in base alla Procedura EPTA 01/2014, sono indicate nella tabella.

Cartuccia batteria e caricatore applicabili

Cartuccia batteria	BL1415N / BL1415NA / BL1430 / BL1430B / BL1440 / BL1450 / BL1460A / BL1460B
Caricatore	DC18RC / DC18RD / DC18RE / DC18SD / DC18SE / DC18SF

- Alcune delle cartucce batterie e dei caricatori elencati sopra potrebbero non essere disponibili, a seconda della propria area geografica di residenza.

⚠ AVVERTIMENTO: utilizzare solo le cartucce batterie e i caricatori elencati sopra. L'utilizzo di cartucce batterie e caricatori diversi potrebbe causare lesioni personali e/o incendi.

ENE033-1

GE139-1

Utilizzo previsto

Questo utensile è progettato per avvitare le viti nel legno, metallo e plastica.

GEA010-2

Avvertenze generali relative alla sicurezza dell'utensile elettrico

⚠ AVVERTIMENTO Leggere tutte le avvertenze di sicurezza, le istruzioni, le illustrazioni e i dati tecnici forniti con il presente utensile elettrico. La mancata osservanza di tutte le istruzioni elencate di seguito potrebbe risultare in scosse elettriche, incendi e/o gravi lesioni personali.

Conservare tutte le avvertenze e le istruzioni come riferimento futuro.

Il termine "utensile elettrico" nelle avvertenze si riferisce sia all'utensile elettrico (cablato) nel funzionamento alimentato da rete elettrica che all'utensile elettrico (a batteria) nel funzionamento alimentato a batteria.

AVVERTENZE DI SICUREZZA RELATIVE ALL'AVVITATORE A BATTERIA

1. **Mantenere l'utensile per le superfici di impugnatura isolate, quando si intende eseguire un'operazione in cui l'elemento di fissaggio potrebbe entrare in contatto con cablaggi nascosti.** Gli elementi di fissaggio che entrino in contatto con un filo elettrico sotto tensione potrebbero mettere sotto tensione le parti metalliche esposte dell'utensile elettrico, e potrebbero dare una scossa elettrica all'operatore.
2. **Accertarsi sempre di appoggiare i piedi saldamente.** Quando si intende utilizzare l'utensile in posizioni elevate, accertarsi sempre che non sia presente alcuna persona sotto di sé.
3. **Tenere saldamente l'utensile.**
4. **Tenere le mani lontane dalle parti rotanti.**

5. Non toccare la punta o il pezzo in lavorazione subito dopo l'uso; la loro temperatura potrebbe essere estremamente elevata e potrebbero causare ustioni.
6. Fissare sempre il pezzo in lavorazione in una morsa o in un dispositivo di fissaggio simile.

CONSERVARE LE PRESENTI ISTRUZIONI.

⚠ AVVERTIMENTO:

NON lasciare che la comodità o la familiarità d'uso con il prodotto (acquisita con l'uso ripetuto) sostituiscano la stretta osservanza delle norme di sicurezza.

L'USO IMPROPRIO o la mancata osservanza delle norme di sicurezza riportate nel presente manuale di istruzioni potrebbero causare lesioni personali gravi.

ENC007-12

ISTRUZIONI DI SICUREZZA IMPORTANTI PER LA CARTUCCIA DELLA BATTERIA

1. Prima di utilizzare la cartuccia della batteria, leggere tutte le istruzioni e le avvertenze riportate (1) sul caricabatteria, (2) sulla batteria e (3) sul prodotto che utilizza la batteria.
2. Non smontare la cartuccia della batteria.
3. Qualora il tempo di utilizzo si riduca eccessivamente, interrompere immediatamente l'utilizzo dell'utensile. In caso contrario, si può incorrere nel rischio di surriscaldamento, possibili ustioni e persino un'esplosione.
4. Qualora l'elettrolita entri in contatto con gli occhi, sciacquarli con acqua pulita e richiedere immediatamente assistenza medica. Questa eventualità può risultare nella perdita della vista.
5. Non cortocircuitare la cartuccia della batteria:
 - (1) Non toccare i terminali con alcun materiale conduttivo.
 - (2) Evitare di conservare la cartuccia della batteria in un contenitore insieme ad altri oggetti metallici quali chiodi, monete, e così via.
 - (3) Non esporre la cartuccia della batteria all'acqua o alla pioggia.

Un cortocircuito della batteria può causare un grande flusso di corrente, un surriscaldamento, possibili ustioni e persino un guasto.

6. Non conservare l'utensile e la cartuccia della batteria in ubicazioni in cui la temperatura possa raggiungere o superare i 50°C.
7. Non incenerire la cartuccia della batteria anche qualora sia gravemente danneggiata o completamente esaurita. La cartuccia della batteria può esplodere se a contatto con il fuoco.
8. Fare attenzione a non far cadere e a non colpire la batteria.
9. Non utilizzare una batteria danneggiata.

10. Le batterie a ioni di litio contenute sono soggette ai requisiti del regolamento sul trasporto di merci pericolose (Dangerous Goods Legislation).

Per trasporti commerciali, ad esempio da parte di terzi o spedizionieri, è necessario osservare dei requisiti speciali sull'imballaggio e sull'etichetta.

Per la preparazione dell'articolo da spedire, è richiesta la consulenza di un esperto in materiali pericolosi. Attenersi anche alle normative nazionali, che potrebbero essere più dettagliate.

Nastrare o coprire i contatti aperti e imballare la batteria in modo tale che non si possa muovere liberamente all'interno dell'imballaggio.

11. **Attenersi alle normative locali relative allo smaltimento della batteria.**
12. **Utilizzare le batterie esclusivamente con i prodotti specificati da Makita.** L'installazione delle batterie in prodotti non compatibili potrebbe risultare in incendi, calore eccessivo, esplosioni o perdite di liquido elettrolitico.

CONSERVARE LE PRESENTI ISTRUZIONI.

⚠ ATTENZIONE: Utilizzare solo batterie originali Makita.

L'utilizzo di batterie Makita non originali, o di batterie che siano state alterate, potrebbe risultare nello scoppio della batteria, causando incendi, lesioni personali e danni. Inoltre, ciò potrebbe invalidare la garanzia Makita per l'utensile e il caricabatterie Makita.

Suggerimenti per preservare la durata massima della batteria

1. Caricare la cartuccia della batteria prima che si scarichi completamente. Smettere sempre di utilizzare l'utensile e caricare la cartuccia della batteria quando si nota che la potenza dell'utensile è diminuita.
2. Non ricaricare mai una cartuccia della batteria completamente carica. La sovraccarica riduce la vita utile della batteria.
3. Caricare la cartuccia della batteria a una temperatura ambiente compresa tra 10°C e 40°C. Lasciar raffreddare una cartuccia della batteria prima di caricarla.
4. Caricare la cartuccia della batteria se non la si è utilizzata per un periodo di tempo prolungato (più di sei mesi).

DESCRIZIONE FUNZIONALE

⚠ ATTENZIONE:

- Accertarsi sempre che l'utensile sia spento e di aver rimosso la cartuccia batteria prima di regolarlo o di controllare il suo funzionamento.

Installazione o rimozione della batteria (Fig. 1)

⚠ ATTENZIONE:

- Spegnerne sempre l'utensile prima di installare o di rimuovere la batteria.
- **Tenere saldamente l'utensile e la batteria quando si installa o si rimuove la batteria.** Se non si tengono saldamente l'utensile e la cartuccia batteria, potrebbero sfuggire di mano danneggiandosi e causare una lesione personale.

Per rimuovere la batteria, toglierla dall'utensile spingendo allo stesso tempo il bottone sulla parte anteriore della batteria.

Per installare la batteria, allineare l'appendice della batteria sulla scanalatura dell'alloggiamento e spingerla in posizione. Inserirli completamente finché si blocca in posizione con uno piccolo scatto. Se si vede l'indicatore rosso sul lato superiore del bottone, vuol dire che la batteria non è bloccata completamente.

⚠ ATTENZIONE:

- Installare sempre completamente la batteria finché l'indicatore rosso non è più visibile. In caso contrario, potrebbe cadere accidentalmente fuori dall'utensile causando un incidente all'operatore o a chi gli è vicino.
- Non installare forzatamente la batteria. Se la batteria non scivola dentro facilmente, vuol dire che non viene inserita correttamente.

Controllo della carica residua della batteria (BL1460A) (Fig. 2)

NOTA:

- A seconda delle condizioni d'uso e della temperatura ambiente, l'indicazione potrebbe variare leggermente rispetto alla carica effettiva.

Durante la ricarica

Quando ha inizio la ricarica, il primo indicatore luminoso (all'estremità sinistra) inizia a sfarfallare. Quindi, man mano che la ricarica procede, gli altri indicatori luminosi si illuminano, uno dopo l'altro, per indicare il livello di carica della batteria.

NOTA:

- Qualora l'indicatore luminoso non si accenda né sfarfalli durante la ricarica, la batteria potrebbe essere difettosa. In questo caso, rivolgersi al proprio centro di assistenza locale.

Durante l'uso

Quando si accende l'utensile, gli indicatori luminosi si illuminano per indicare la carica residua della batteria. Quando si spegne l'utensile, la luce si spegne dopo circa 5 secondi.

Quando si preme il pulsante di controllo con l'utensile spento, gli indicatori luminosi si accendono per circa 5 secondi per mostrare la carica della batteria.

Qualora l'indicatore luminoso arancione sfarfalli, l'utensile si arresta a causa della bassa carica residua della batteria (meccanismo di arresto automatico). A questo punto, caricare la cartuccia della batteria o utilizzare una cartuccia della batteria caricata.

Quando si accende l'utensile utilizzandolo con una batteria che non sia stata utilizzata per un periodo di tempo prolungato, potrebbe non accendersi alcun indicatore luminoso. In questa circostanza, l'utensile si arresta a causa della bassa carica residua della batteria. Caricare la batteria correttamente.

Funzionamento dell'interruttore (Fig. 3)

⚠ ATTENZIONE:

- Prima di inserire la batteria nell'utensile, accertarsi sempre che l'interruttore funzioni correttamente e che torni sulla posizione "OFF" quando viene rilasciato.

Per avviare l'utensile, schiacciare semplicemente l'interruttore. Rilasciare l'interruttore per fermarlo.

Funzionamento dell'interruttore di inversione (Fig. 4)

⚠ ATTENZIONE:

- Controllare sempre la direzione di rotazione prima di una operazione.
- Usare l'interruttore di inversione soltanto dopo che l'utensile si è arrestato completamente. Se si cambia la direzione di rotazione prima dell'arresto dell'utensile lo si potrebbe danneggiare.
- Quando non si usa l'utensile, regolare sempre la leva interruttore di inversione sulla posizione neutra.

L'utensile è dotato di un interruttore di inversione per il cambiamento della direzione di rotazione. Schiacciare la leva interruttore di inversione dal lato A per la rotazione in senso orario, oppure dal lato B per la rotazione in senso antiorario.

Quando la leva interruttore di inversione si trova sulla posizione neutra, l'interruttore non può essere schiacciato.

Accensione della lampadina (Fig. 5)

⚠ ATTENZIONE:

- Non guardare direttamente la luce o la sorgente della luce.

Schiacciare l'interruttore per accendere la lampadina. La lampadina rimane accesa mentre l'interruttore è schiacciato. La lampadina si spegne automaticamente 10 secondi dopo che si rilascia l'interruttore.

NOTA:

- Usare un panno asciutto per togliere lo sporco dalla lente della lampadina. Fare attenzione a non graffiare la lente della lampadina, perché ciò potrebbe abbassare l'illuminazione.

Indicatore a LED/Cicalino

L'indicatore a LED/Cicalino sull'utensile mostra le funzioni seguenti.

Funzione	Stato	Stato indicatore a LED/cicalino		Azione necessaria
		Indicatore a LED	Cicalino	
Serraggio con arresto automatico	Questa funzione si attiva quando l'utensile ha raggiunto la coppia di serraggio prefissata e il normale serraggio è stato completato. Ciò aiuta a evitare il sovraccarico dell'utensile.	Si accende verde per circa un secondo.	—	—
Riavvio ritardato	Per circa un secondo dopo il serraggio con arresto automatico l'utensile non si avvia anche se si schiaccia l'interruttore.			

Funzione	Stato	Stato indicatore a LED/cicalino		Azione necessaria
		Indicatore a LED	Cicalino	
Avvertimento di serraggio insufficiente	Il serraggio insufficiente si è verificato quando l'interruttore è stato rilasciato prima che sia stata raggiunta la coppia di serraggio prefissata.	Si accende rosso.	Un suono lungo	Ristringere la vite.
Avvertimento della capacità della cartuccia batteria	Indica il tempo appropriato di sostituzione della cartuccia batteria quando la sua carica diventa debole.	Tremola lentamente rosso.	Una serie di suoni lunghi	Sostituire la batteria con una completamente carica.
Controllo della capacità restante della batteria, arresto automatico	Questa funzione si attiva quando la batteria è quasi completamente scarica. A questo punto, l'utensile si arresta immediatamente.	Si accende rosso.	Un suono lungo	Sostituire la batteria con una completamente carica.
Controllo del funzionamento dell'indicatore a LED, lampadina e cicalino	Questa funzione si attiva per controllare il funzionamento corretto dell'indicatore a LED, lampadina e cicalino, quando si è inserita una cartuccia batteria nell'utensile.	Si accende prima verde, poi rosso. (Dopo di che si accende la lampadina.)	Una serie di suoni molto brevi	—
Antiripristino del controllore	Questa funzione si attiva se per un qualche motivo si verifica un calo anormale della tensione della batteria, e l'utensile si arresta.	Tremola alternativamente rosso e verde.	Una serie di suoni brevi	Sostituire la batteria con una completamente carica.
Surriscaldamento	Questa funzione si attiva se la temperatura del controllore diventa molto alta, e l'utensile si arresta.	Tremola rapidamente rosso.	Una serie di suoni brevi	Rimuovere immediatamente la cartuccia batteria e far raffreddare l'utensile.
Errore di funzionamento dell'interruttore	Questa funzione si attiva per evitare l'avvio immediato dell'utensile quando si inserisce la cartuccia batteria con l'interruttore schiacciato.	Tremola alternativamente rosso e verde.	Una serie di suoni brevi	Rilasciare l'interruttore.
Avvertimento del limite della capacità di serraggio	L'utensile si arresta automaticamente senza che la frizione funzioni quando esso supera il limite della capacità di serraggio.	Tremola alternativamente rosso e verde.	Una serie di suoni brevi	Rimuovere la cartuccia batteria e reinstallarla. Accertarsi di usare l'utensile sotto carico entro le sue capacità.

013073

Regolazione della coppia di serraggio (Figg. 6 e 7)

Per avvitare le viti comuni, viti per legno, bulloni esagonali, ecc., con la coppia predeterminata, regolare la coppia di serraggio come segue.

1. Rimuovere per prima cosa la cartuccia batteria dall'utensile.
2. Allentare le viti che fissano il coperchio della lampadina.
3. Ruotare a mano l'anello sulla parte anteriore dell'utensile in modo da rendere visibile il foro sotto l'anello.
4. Rimettere a posto la cartuccia batteria e schiacciare l'interruttore. Rilasciarlo in modo che l'anello di regolazione ruoti e diventi visibile nel foro. Rimuovere poi la cartuccia batteria.
5. Usare una impugnatura di regolazione opzionale per regolare la coppia di serraggio. Inserire il perno della impugnatura di regolazione nel foro sulla parte anteriore dell'utensile. Girare poi l'impugnatura di regolazione in senso orario per regolare una coppia di serraggio maggiore, oppure in senso antiorario per regolare una coppia di serraggio minore.
6. Allineare la linea gialla sul numero desiderato della scala della coppia di serraggio.

- Inserire la cartuccia batteria e accertarsi che sia stata regolata una coppia di serraggio usando un tester della coppia di serraggio.
- Ruotare l'anello nella parte anteriore dell'utensile, quindi serrare la vite per fissare l'anello.

NOTA:

- I numeri sulla scala della coppia di serraggio sono una guida per la regolazione della coppia di serraggio desiderata.

MONTAGGIO

⚠ ATTENZIONE:

- Accertarsi sempre che l'utensile sia spento e che la batteria sia stata rimossa prima di qualsiasi intervento sull'utensile.

Selezione della bussola o punta vite corrette

Alcuni modelli usano diversi tipi di bussole o punte, a seconda delle applicazioni. Scegliere e installare la bussola o punta corretta per l'applicazione.

Installazione o rimozione della bussola (Fig. 8)

Per installare la bussola, spingerla con una mano sul rotore quadrato dell'utensile schiacciando con l'altra mano il perno sul rotore quadrato finché si blocca in posizione. Per rimuovere la bussola, tirarla semplicemente via schiacciando il perno sul rotore quadrato.

Installazione o rimozione della punta (Fig. 9)

Utensili con manico retrattile

Per installare la punta, tirare il manico nella direzione della freccia e inserire la punta nel manico finché non può andare più oltre. Rilasciare poi il manico per fissare la punta.

Per rimuovere la punta, tirare il manico nella direzione della freccia e tirare fuori con fermezza la punta.

Utensili senza manico retrattile

Per installare la punta, inserirla semplicemente nel mandrino finché non può andare più oltre. Per rimuovere la punta, tirarla via con fermezza.

FUNZIONAMENTO

Tenere saldamente l'utensile e piazzare la bussola sul bullone o dado. Accendere poi l'utensile. Quando la frizione si innesta, il motore si arresta automaticamente. Rilasciare allora l'interruttore.

NOTA:

- Tenere l'utensile con il suo rotore quadrato puntato dritto sul bullone o dado, perché altrimenti si potrebbe danneggiare il bullone o dado.

Limiti della capacità di serraggio

Usare l'utensile entro una gamma dell'angolo di rotazione fino a 360°. Se si usa l'utensile oltre il limite superiore di questa gamma, la frizione non funziona. Inoltre, l'utensile non può sviluppare una coppia di serraggio sufficiente (l'indicatore a LED tremola alternativamente rosso e verde).

NOTA:

- Per angolo di rotazione si intende l'angolo di rotazione della vite/bullone quando l'utensile raggiunge il 100% dal 50% della coppia desiderata.

- L'impiego di una batteria condizionata a bassa temperatura potrebbe a volte dare un avvertimento di capacità della batteria, con una spia e un cicalino, che causal'arresto immediato dell'utensile. In tal caso, la gamma della capacità di serraggio potrebbe essere inferiore alle specifiche di questo manuale, anche se si usa una batteria carica.

MANUTENZIONE

⚠ ATTENZIONE:

- Accertarsi sempre che l'utensile sia spento e di aver rimosso la batteria prima di cercare di eseguire l'ispezione o la manutenzione.
- Mai usare benzina, benzene, solventi, alcol e altre sostanze simili. Potrebbero causare scolorimenti, deformazioni o crepe.

Sostituzione delle spazzole di carbone (Figg. 10 e 11)

Rimuovere e controllare regolarmente le spazzole di carbone. Sostituirle quando sono usurate fino al segno di limite. Mantenere le spazzole di carbone pulite in modo da poter scorrere liberamente nei portaspazzole. Le spazzole di carbone devono essere sostituite entrambe allo stesso tempo. Usare soltanto spazzole di carbone identiche.

Usare un cacciavite per rimuovere i tappi dei portaspazzole. Estrarre le spazzole di carbone usurate, inserire quelle nuove e fissare i tappi dei portaspazzole.

Per preservare la SICUREZZA e l'AFFIDABILITÀ del prodotto, le riparazioni, qualsiasi altra manutenzione o regolazione devono essere eseguite da un Centro Assistenza Makita autorizzato usando sempre ricambi Makita.

ACCESSORI OPZIONALI

⚠ ATTENZIONE:

- Questi accessori o attrezzi sono consigliati per l'uso con l'utensile Makita specificato in questo manuale. L'impiego di altri accessori o attrezzi può costituire un rischio di lesioni alle persone. Usare gli accessori soltanto per il loro scopo prefissato.

Per ottenere maggiori dettagli su questi accessori, rivolgersi a un Centro Assistenza Makita locale.

- Protezione
- Batteria e caricatore genuini Makita
- Gruppo testa angolare
- Impugnatura di regolazione
- Accessorio anti-contraccolpo
- Mandrino completo

NOTA:

- Alcuni articoli nella lista potrebbero essere inclusi nell'imballo dell'utensile come accessori standard. Essi potrebbero differire da Paese a Paese.

ENG905-1

Rumore

Il tipico livello di rumore pesato A determinato secondo EN62841:

Livello pressione sonora (L_{pA}): 70 dB (A) o meno
Incertezza (K): 3 dB (A)

Il livello del rumore durante il lavoro potrebbe superare gli 80 dB (A).

NOTA:

- Il valore o i valori dichiarati delle emissioni di rumori sono stati misurati in conformità a un metodo standard di verifica, e possono essere utilizzati per confrontare un utensile con un altro.
- Il valore o i valori dichiarati delle emissioni di rumori possono venire utilizzati anche per una valutazione preliminare dell'esposizione.

⚠ AVVERTIMENTO:

- **Indossare protezioni per le orecchie.**
- **L'emissione di rumori durante l'utilizzo effettivo dell'utensile elettrico può variare rispetto al valore o ai valori dichiarati, a seconda dei modi in cui viene utilizzato l'utensile e specialmente a seconda di che tipo di pezzo venga lavorato.**
- **Accertarsi di identificare misure di sicurezza per la protezione dell'operatore che siano basate su una stima dell'esposizione nelle condizioni effettive di utilizzo (tenendo conto di tutte le parti del ciclo operativo, ad esempio del numero di spegnimenti dell'utensile e di quando giri a vuoto, oltre al tempo di attivazione).**

ENG900-1

Vibrazione

Il valore totale di vibrazione (somma vettore triassiale) determinato secondo EN62841:

Modalità operativa: avvitamento senza percussione

Emissione di vibrazioni (a_{h1}): 2,5 m/s² o meno

Incertezza (K): 1,5 m/s²

ENG901-2

NOTA:

- Il valore o i valori complessivi delle vibrazioni dichiarati sono stati misurati in conformità a un metodo standard di verifica, e possono essere utilizzati per confrontare un utensile con un altro.
- Il valore o i valori complessivi delle vibrazioni dichiarati possono venire utilizzati anche per una valutazione preliminare dell'esposizione.

⚠ AVVERTIMENTO:

- **L'emissione delle vibrazioni durante l'utilizzo effettivo dell'utensile elettrico può variare rispetto al valore o ai valori dichiarati, a seconda dei modi in cui viene utilizzato l'utensile, specialmente a seconda di che tipo di pezzo venga lavorato.**
- **Accertarsi di identificare misure di sicurezza per la protezione dell'operatore che siano basate su una stima dell'esposizione nelle condizioni effettive di utilizzo (tenendo conto di tutte le parti del ciclo operativo, ad esempio del numero di spegnimenti dell'utensile e di quando giri a vuoto, oltre al tempo di attivazione).**

DICHIARAZIONE DI CONFORMITÀ CE

Solo per i paesi europei

La dichiarazione di conformità CE è inclusa come Allegato A al presente manuale di istruzioni.

Verklaring van algemene gegevens

1 Rode indicator	10 Instelgreep	18 Sok
2 Knop	11 Ring	19 Gat
3 Accu	12 Haakse kop	20 Pen
4 Indicatorlampjes	13 Koppelinstelling	21 Schroefbit
5 Testknop	14 Schaal	22 Klembus
6 Trekkerschakelaar	15 Bevestigingsgat voor instelgreep	23 Limietmarkering
7 Omkeerschakelaar	16 Gele streep	24 Schroevendraaier
8 Lamp	17 Drukveer	25 Borstelhouderdop
9 LED-indicator		

TECHNISCHE GEGEVENS

Model		DFL061F	DFL082F	DFL122F	DFL202F
Aandraaikoppel	Harde verbinding	1,5 – 6 N·m	2 – 8 N·m	5 – 12 N·m	8 – 20 N·m
	Zachte verbinding	1,5 – 6 N·m	2 – 8 N·m	5 – 12 N·m	8 – 20 N·m
Haakse aandrijfkop		9,5 mm vierkant of 6,35 mm zeskant-inbus			
Toerental onbelast (min ⁻¹)		470	700	410	220
Totale lengte (Afhankelijk van de accu)		405 – 422 mm			
Nettogewicht		1,5 – 2,1 kg			
Nominale spanning		D.C. 14,4 V			

- Vanwege ons voortgaand onderzoeks- en ontwikkelingsprogramma kunnen de bijgaande technische gegevens zonder voorafgaande kennisgeving worden gewijzigd.
- De technische gegevens kunnen van land tot land verschillen.
- Het gewicht kan verschillen, afhankelijk van de hulpstukken, inclusief de accu. De lichtste en zwaarste combinatie, overeenkomstig de EPTA-procedure 01/2014, worden aangegeven in de tabel.

Toepasselijke accu en acculader

Accu	BL1415N / BL1415NA / BL1430 / BL1430B / BL1440 / BL1450 / BL1460A / BL1460B
Acculader	DC18RC / DC18RD / DC18RE / DC18SD / DC18SE / DC18SF

- Sommige van de hierboven vermelde accu's en acculaders zijn mogelijk niet verkrijgbaar, afhankelijk van het gebied waarin u woont.

⚠ WAARSCHUWING: Gebruik uitsluitend de hierboven vermelde accu's en acculaders. Als u enige andere accu of acculader gebruikt, kan dat leiden tot letsel en/of brand.

ENE033-1

GEB139-1

Doeleinden van gebruik

Dit gereedschap is bedoeld voor het indraaien van schroeven in hout, metaal en plastic.

GEA010-2

Algemene veiligheidswaarschuwingen voor elektrisch gereedschap

⚠ WAARSCHUWING! Lees alle veiligheidswaarschuwingen, aanwijzingen, afbeeldingen en technische gegevens behorend bij dit elektrische gereedschap aandachtig door. Als u niet alle onderstaande aanwijzingen naleeft, kan dat resulteren in brand, elektrische schokken en/of ernstig letsel.

Bewaar alle waarschuwingen en instructies om in de toekomst te kunnen raadplegen.

De term "elektrisch gereedschap" in de veiligheidsvoorschriften duidt op gereedschappen die op stroom van het lichtnet werken (met snoer) of gereedschappen met een accu (snoerloos).

VEILIGHEIDSWAARSCHUWINGEN VOOR EEN ACCUSCHROEFMACHINE

1. **Houd elektrisch gereedschap alleen vast aan de geïsoleerde handgrepen, wanneer u werkt op plaatsen waar het bevestigingsmateriaal met verborgen bedrading in aanraking kan komen.** Als een draad die onder stroom staat wordt beschadigd, kunnen de metalen delen van het gereedschap ook onder stroom komen te staan en kunt u een gevaarlijke elektrische schok krijgen.
2. **Zorg ook altijd dat u stevig op een solide bodem staat.**
Controleer dat er niemand onder u staat wanneer u het gereedschap op een hoge plaats gebruikt.
3. **Houd het gereedschap stevig vast.**
4. **Houd uw handen uit de buurt van draaiende delen.**

5. Raak direct na uw werk het bit of het werkstuk niet aan; ze kunnen erg heet zijn en u zou zich kunnen branden.
6. Zet het werkstuk altijd vast in een bankschroef of soortgelijke klemvoorziening.

BEWAAR DEZE VOORSCHRIFTEN.

⚠ WAARSCHUWING:

Laat u NIET misleiden door een vals gevoel van comfort en bekendheid met het gereedschap (na veelvuldig gebruik) en neem alle veiligheidsvoorschriften van het betreffende gereedschap altijd strikt in acht.

VERKEERD GEBRUIK of het niet naleven van de veiligheidsvoorschriften in deze gebruiksaanwijzing kan leiden tot ernstige verwondingen.

ENC007-12

BELANGRIJKE VEILIGHEIDSIINSTRUCTIES VOOR EEN ACCU

1. Lees alle voorschriften en waarschuwingen op (1) de acculader, (2) de accu, en (3) het product waarvoor de accu wordt gebruikt, alvorens de accu in gebruik te nemen.
2. Neem de accu niet uit elkaar.
3. Als de gebruikstijd van een opgeladen accu aanzienlijk korter is geworden, moet u het gebruik ervan onmiddellijk stopzetten. Voortgezet gebruik kan oververhitting, brandwonden en zelfs een ontploffing veroorzaken.
4. Als elektrolyt in uw ogen is terechtgekomen, spoelt u uw ogen met schoon water en roept u onmiddellijk de hulp van een dokter in. Elektrolyt in de ogen kan blindheid veroorzaken.
5. Voorkom kortsluiting van de accu:
 - (1) Raak de accuklemmen nooit aan met een geleidend materiaal.
 - (2) Bewaar de accu niet in een bak waarin andere metalen voorwerpen zoals spijkers, munten e.d. worden bewaard.
 - (3) Stel de accu niet bloot aan water of regen.

Kortsluiting van de accu kan oorzaak zijn van een grote stroomafgifte, oververhitting, brandwonden, en zelfs defecten.

6. Bewaar het gereedschap en de accu niet op plaatsen waar de temperatuur kan oplopen tot 50°C of hoger.
7. Werp de accu nooit in het vuur, ook niet wanneer hij zwaar beschadigd of volledig versleten is. De accu kan ontploffen in het vuur.
8. Wees voorzichtig dat u de accu niet laat vallen en hem niet blootstelt aan schokken of stoten.
9. Gebruik nooit een beschadigde accu.
10. De bijgeleverde lithium-ionbatterijen zijn onderhevig aan de vereisten in de wetgeving omtrent gevaarlijke stoffen.

Voor commercieel transport en dergelijke door derden en transporteurs moeten speciale vereisten ten aanzien van verpakking en etikettering worden nageleefd.

Als voorbereiding van het artikel dat wordt getransporteerd is het noodzakelijk een expert op het gebied van gevaarlijke stoffen te raadplegen. Houd u tevens aan mogelijk strengere nationale regelgeving. Blootliggende contactpunten moeten worden afgedekt met tape en de accu moet zodanig worden verpakt dat deze niet kan bewegen in de verpakking.

11. Volg bij het weggooien van de accu de plaatselijke voorschriften.
12. Gebruik de accu's uitsluitend met de gereedschappen die door Makita zijn aanbevolen. Als de accu's worden aangebracht in niet-compatibele gereedschappen, kan dat leiden tot brand, buitensporige warmteontwikkeling, een explosie of lekkage van elektrolyt.

BEWAAR DEZE VOORSCHRIFTEN.

⚠ LET OP: Gebruik uitsluitend originele Makita accu's.

Het gebruik van niet-originele accu's, of accu's die zijn gewijzigd, kan ertoe leiden dat de accu ontploft en brand, persoonlijk letsel en schade veroorzaakt. Ook vervalt daarmee de garantie van Makita op het gereedschap en de lader van Makita.

Tips voor een maximale levensduur van de accu

1. Laad de accu op voordat hij volledig ontladen is. Stop het gebruik van het gereedschap en laad de accu op telkens wanneer u vaststelt dat het vermogen van het gereedschap is afgenomen.
2. Laad een volledig opgeladen accu nooit opnieuw op. Te lang opladen verkort de levensduur van de accu.
3. Laad de accu op bij een omgevingstemperatuur tussen 10°C en 40°C. Laat een warme accu afkoelen alvorens hem op te laden.
4. Laad de accu op als u deze gedurende een lange tijd (meer dan zes maanden) niet gaat gebruiken.

BESCHRIJVING VAN DE FUNCTIES

⚠ LET OP:

- Zorg altijd dat het gereedschap is uitgeschakeld en de accu ervan is verwijderd alvorens de functies op het gereedschap af te stellen of te controleren.

Aanbrengen en verwijderen van de accu (Fig. 1)

⚠ LET OP:

- Schakel altijd het gereedschap uit voordat u de accu aanbrengt of verwijderd.
- Houd het gereedschap en de accu stevig vast wanneer u de accu aanbrengt of verwijderd. Als u het gereedschap en de accu niet stevig vasthoudt, zou er iets uit uw handen kunnen glippen, met mogelijke schade aan het gereedschap of de accu en kans op lichamelijk letsel.

Om de accu te verwijderen, schuift u deze uit het gereedschap los terwijl u de knop voorop de accu ingedrukt houdt.

Voor het aanbrengen van de accu plaatst u de tong van de accu in de groef van de behuizing en schuift u de accu op zijn plaats. Schuif de accu er altijd volledig in totdat die op zijn plaats vast klikt. Wanneer de rode indicator op de bovenkant van de knop nog zichtbaar is, zit de accu niet volledig erin.

⚠ LET OP:

- Schuif de accu volledig erin totdat de rode indicator niet meer zichtbaar is. Als u dit nalaat, zou de accu uit het gereedschap kunnen vallen en uzelf of anderen kunnen verwonden.
- Druk de accu er niet met kracht in. Als de accu er niet soepel in gaat, houdt u die waarschijnlijk in de verkeerde stand.

De resterende acculading controleren (BL1460A) (Fig. 2)

OPMERKING:

- Afhankelijk van de gebruiksomstandigheden en de omgevingstemperatuur, is het mogelijk dat de aangegeven acculading verschilt van de werkelijke acculading.

Tijdens opladen

Wanneer het opladen begint, gaat het eerste (meest linkse) indicatorlampje knipperen. Naar mate het opladen vordert, gaat het ene na het andere lampje branden om de huidige acculading aan te geven.

OPMERKING:

- Als het indicatorlampje niet gaat branden of knipperen tijdens het opladen, kan de accu defect zijn. Vraag in dat geval uw plaatselijke servicecentrum om hulp.

Tijdens gebruik

Wanneer het gereedschap is ingeschakeld, branden de lampjes om de resterende acculading aan te geven. Wanneer het gereedschap is uitgeschakeld, gaan de lampjes na ongeveer 5 seconden uit.

Wanneer u met uitgeschakeld gereedschap op de controleknop drukt, gaan de indicatorlampjes gedurende ongeveer 5 seconden branden om de acculading aan te geven.

Als het oranje lampje knippert, stopt het gereedschap vanwege de geringe resterende acculading (automatische stopfunctie). Wanneer dat gebeurt, laadt u de accu op of gebruikt u een opgeladen accu.

Wanneer het gereedschap wordt gebruikt met een accu die lange tijd niet is gebruikt en wordt ingeschakeld, branden mogelijk geen lampjes. Wanneer dat gebeurt, stopt het gereedschap vanwege de geringe resterende acculading. Laad de accu goed op.

Werking van de schakelaar (Fig. 3)

⚠ LET OP:

- Controleer voordat u de accu in het gereedschap plaatst altijd eerst of de trekkerschakelaar goed werkt en bij loslaten direct naar de "OFF" stand terugkeert.

Om het gereedschap te starten, drukt u enkel de trekkerschakelaar in. Laat de trekkerschakelaar los om te stoppen.

Werking van de omkeerschakelaar (Fig. 4)

⚠ LET OP:

- Controleer voordat u gaat werken altijd eerst de draairichting van het gereedschap.
- Gebruik de omkeerschakelaar alleen nadat het gereedschap helemaal tot stilstand is gekomen. Als u de draairichting verandert terwijl het gereedschap nog draait, kan het gereedschap beschadigd raken.
- Zet de omkeerschakelaar altijd in de neutrale stand wanneer u het gereedschap niet gebruikt.

Dit gereedschap heeft een omkeerschakelaar voor het veranderen van de draairichting. Druk de omkeerschakelaar in vanaf kant A voor rechtse, kloksgewijze draairichting, of vanaf kant B voor linkse draairichting.

Wanneer de omkeerschakelaar in de neutrale stand staat, kan de trekkerschakelaar niet ingedrukt worden.

Inschakelen van de verlichting (Fig. 5)

⚠ LET OP:

- Kijk niet recht in het lamplicht of de lichtbron.

Druk de trekkerschakelaar in zodat de lamp gaat branden. De lamp blijft branden zolang u de trekkerschakelaar ingedrukt houdt. Het licht dooft automatisch, 10 seconden nadat u de trekkerschakelaar loslaat.

OPMERKING:

- Als het lensje van de lamp vuil is, veegt u dat schoon met een droge doek. Let op dat u geen krassen maakt op het lensglas van de lamp, want dat kan het licht belemmeren.

LED-indicator/zoemer

De LED-indicator/zoemer op het gereedschap dient voor aangeven van de volgende functies.

Functie	Toepassing	Status van LED-indicator/zoemer		Te nemen maatregel
		LED-indicator	Zoemer	
Vastdraaien met automatische afslag	Deze functie treedt in werking wanneer het gereedschap het vooringestelde aandraaikoppel bereikt en het normale vastdraaien daarmee voltooid is. Dit dient ter voorkoming van overmatig vastdraaien.	Licht ongeveer één seconde lang groen op.	—	—
Vertraagd herstarten	Na het vastdraaien met automatische afslag zal het gereedschap ongeveer een seconde lang niet direct starten, ook al drukt u de trekkerschakelaar in.			
Waarschuwing voor onvoldoende aandraaien	Het aandraaien zal ontoereikend zijn als u de trekkerschakelaar loslaat voordat het vooringestelde aandraaikoppel is bereikt.	Licht rood op.	Een lange piepton	Draai de schroef opnieuw vast.

Functie	Toepassing	Status van LED-indicator/zoemer		Te nemen maatregel
		LED-indicator	Zoemer	
Waarschuwing voor leegrakende accu	Dit geeft ongeveer de geschikte tijd aan voor het vervangen van de accu, wanneer die leeg raakt.	Langzaam rood knipperend.	Een reeks lange pieptonen	Vervang deze accu door een volledig opgeladen accu.
Controleren van de resterende accu-capaciteit, en automatische afslag	Deze functie treedt in werking wanneer de accu bijna leeg is. Het gereedschap stopt dan onmiddellijk.	Licht rood op.	Een lange pieptoon	Vervang deze accu door een volledig opgeladen accu.
Controleren van de werking van de LED-indicator, de lamp en de zoemer.	Wanneer er een accu in het gereedschap wordt aangebracht, controleert deze functie de werking van de LED-indicator, de lamp en de zoemer.	Licht eerst groen en dan rood op. (En dan gaat de lamp branden.)	Een reeks heel korte pieptonen	—
Neutraliseren van het regelmechanisme	Wanneer zich een abnormale vermindering van de accuspanning voor doet, treedt deze functie in werking en stopt het gereedschap.	Knippert beurtings rood en groen.	Een reeks korte pieptonen	Vervang deze accu door een volledig opgeladen accu.
Oververhitting	Wanneer de temperatuur van het regelmechanisme erg hoog oploopt, treedt deze functie in werking en stopt het gereedschap.	Snel rood knipperend.	Een reeks korte pieptonen	Verwijder onmiddellijk de accu en laat het gereedschap afkoelen.
Onjuiste bediening van de trekverschakelaar	Deze functie voorkomt dat het gereedschap direct start wanneer u een accu aanbrengt terwijl de trekverschakelaar wordt ingedrukt.	Knippert beurtings rood en groen.	Een reeks korte pieptonen	Laat de trekverschakelaar los.
Waarschuwing voor limiet van de aandracapaciteit.	Wanneer de aandracapaciteit wordt overschreden, stopt het gereedschap automatisch zonder dat de koppeling aangrijpt.	Knippert beurtings rood en groen.	Een reeks korte pieptonen	Verwijder de accu en breng die dan opnieuw aan. Zorg dat u het gereedschap onder belasting binnen het capaciteitsbereik gebruikt.

013073

Instellen van het aandraaikoppel (Fig. 6 en 7)

Wanneer u kolomschroeven, houtschroeven, zeskant-inbusbouten e.d. met een gespecificeerd aandraaikoppel wilt aandraaien, kunt u het aandraaikoppel als volgt instellen.

1. Verwijder eerst de accu van het gereedschap.
2. Draai de schroeven los waarmee het lampdeksel is bevestigd.
3. Draai met de hand de ring aan de voorkant van het gereedschap zodat het gat onder de ring zichtbaar wordt.
4. Breng de accu aan en druk de trekverschakelaar in. Laat de schakelaar los zodat de instelring draait en zichtbaar wordt in de opening. Verwijder vervolgens de accu.
5. Gebruik de los verkrijgbare instelgreep om het aandraaikoppel in te stellen. Steek de pen van de instelgreep in het gat aan de voorkant van het gereedschap. Draai daarna de instelgreep naar rechts om een groter aandraaikoppel in te stellen, of naar links om een kleiner aandraaikoppel in te stellen.

6. Plaats de gele streep tegenover het gewenste cijfer op de aandraaikoppelschaal.
7. Breng de accu aan en controleer met een aandraaikoppeltestapparaat of het aandraaikoppel juist is ingesteld.
8. Draai de ring op de voorkant van het gereedschap en draai vervolgens de schroef erin om de ring te vergrendelen.

OPMERKING:

- De cijfers op de aandraaikoppelschaal dienen als een leidraad voor het instellen van het gewenste aandraaikoppel.

INEENZETTEN

⚠ LET OP:

- Controleer altijd of het gereedschap is uitgeschakeld en de accu ervan is verwijderd alvorens enig werk aan het gereedschap uit te voeren.

Keuze van de juiste sok of schroefbit

Er zijn verschillende typen sokken en schroefbits voor bepaalde modellen, al naar gelang de toepassingen. Kies en installeer de juiste sok of schroefbit voor uw toepassing.

Aanbrengen en verwijderen van de sok (Fig. 8)

Om de sok te installeren, duwt u met de ene hand de sok op de vierkante aandrijfkop van het gereedschap terwijl u met de andere hand de pen op de vierkante aandrijfkop indrukt, totdat de sok op zijn plaats vergrendelt. Om de sok te verwijderen, trekt u deze gewoon eraf terwijl u de pen op de vierkante aandrijfkop ingedrukt houdt.

Aanbrengen en verwijderen van een schroefbit (Fig. 9)

Voor gereedschap met een terugtrekbare mof

Om het bit te plaatsen, trekt u de klembus in de richting van de pijl en steekt u het bit zo ver mogelijk in de bus. Laat daarna de bus los om het bit te vergrendelen.

Om het schroefbit te verwijderen, trekt u de mof in de richting van de pijl en dan trekt u het bit er stevig uit.

Voor gereedschap zonder terugtrekbare mof

Om het schroefbit aan te brengen, steekt u dat zo ver mogelijk in de spil. Om het schroefbit te verwijderen, trekt u het stevig eruit.

BEDIENING

Houd het gereedschap stevig vast en plaats de sok over de bout of moer. Schakel vervolgens het gereedschap in. Wanneer de koppeling aangrijpt, stopt de motor automatisch. Laat dan de trekkerschakelaar los.

OPMERKING:

- Houd het gereedschap met de vierkante aandrijfkop recht op de bout of moer geplaatst, omdat de bout of moer anders beschadigd kan raken.

Grenzen van de aandreaicapaciteit

Gebruik het gereedschap binnen het bereik van een draaiingshoek tot 360°. Als u het gereedschap gebruikt voorbij de bovengrens van dit bereik, zal de koppeling niet werken. En dan kan het gereedschap niet voldoende aandreaikoppel leveren (zodat de LED-indicator beurtelings rood en groen gaat knipperen).

OPMERKING:

- De draaiingshoek is de hoek waarover een schroef/bout draait wanneer het gereedschap tussen 50% en 100% van het gewenste koppel bereikt.
- Bij gebruik van een erg koude accu kunnen het accucapaciteit-waarschuingslampje en de zoemer soms een waarschuwing voor te laag accuvermogen geven, waarbij het gereedschap onmiddellijk zal stoppen. In dit geval kan het aandreaicapaciteitsbereik lager zijn dan het hierboven opgegeven bereik, ook wanneer u een opgeladen accu gebruikt.

ONDERHOUD

⚠ LET OP:

- Zorg er altijd voor dat het gereedschap is uitgeschakeld en de accu is verwijderd, voordat u enige inspectie of onderhoud uitvoert.
- Gebruik nooit benzine, wasbenzine, thinner, alcohol en dergelijke. Hierdoor kunnen verkleuring, vervormingen en barsten worden veroorzaakt.

Koolborstels vervangen (Fig. 10 en 11)

Verwijder en controleer regelmatig de koolborstels. Vervang de koolborstels wanneer ze tot aan de limietmarkering versleten zijn. Houd de koolborstels schoon, zodat ze gemakkelijk in de houders glijden. Vervang altijd beide koolborstels tegelijk. Gebruik uitsluitend identieke koolborstels.

Gebruik een schroevendraaier om de doppen van de koolborstelhouders te verwijderen. Haal de versleten koolborstels eruit, plaats de nieuwe erin en zet daarna de doppen weer goed vast.

Om de VEILIGHEID en BETROUWBAARHEID van het product te handhaven, dienen alle reparaties en alle andere onderhoudswerkzaamheden of afstellingen te worden uitgevoerd door een erkend Makita Servicecentrum, en dat uitsluitend met gebruik van Makita vervangingsonderdelen.

OPTIONELE ACCESSOIRES

⚠ LET OP:

- Deze accessoires of hulpstukken worden aanbevolen voor gebruik met het Makita gereedschap dat in deze gebruiksaanwijzing is beschreven. Bij gebruik van andere accessoires of hulpstukken bestaat er gevaar voor persoonlijke verwonding. Gebruik de accessoires of hulpstukken uitsluitend voor hun bestemde doel.

Raadpleeg het dichtstbijzijnde Makita servicecentrum voor verder advies of bijzonderheden omtrent deze accessoires.

- Beveiliging
- Originele Makita accu en acculader
- Haakse koppelset
- Instelgreep
- Terugslagvrij-hulpstuk
- As, compleet

OPMERKING:

- Sommige onderdelen in deze lijst kunnen bij het gereedschap zijn meegeleverd als standaard-accessoires. Deze kunnen van land tot land verschillen.

ENG905-1

Geluidsniveau

De typisch, A-gewogen geluidsniveaus vastgesteld volgens EN62841:

Geluidsdrukniveau (L_{pA}): 70 dB (A) of minder
Onnauwkeurigheid (K): 3 dB (A)

Tijdens het werken kan het geluidsniveau 80 dB (A) overschrijden.

ENG907-1

OPMERKING:

- De opgegeven geluidsemisiewaarde(n) is/zijn gemeten volgens een standaardtestmethode en kan/kunnen worden gebruikt om dit gereedschap te vergelijken met andere gereedschappen.
- De opgegeven geluidsemisiewaarde(n) kan/kunnen ook worden gebruikt voor een beoordeling vooraf van de blootstelling.

⚠ WAARSCHUWING:

- Draag gehoorbescherming.
- De geluidsemisatie tijdens het gebruik van het elektrisch gereedschap in de praktijk kan verschillen van de opgegeven waarde(n) afhankelijk van de manier waarop het gereedschap wordt gebruikt, met name van het soort werkstuk waarmee wordt gewerkt.
- Zorg ervoor dat veiligheidsmaatregelen worden getroffen ter bescherming van de gebruiker die zijn gebaseerd op een schatting van de blootstelling onder praktijkomstandigheden (rekening houdend met alle fasen van de bedrijfscyclus, zoals de tijdsduur gedurende welke het gereedschap is uitgeschakeld en stationair draait, naast de ingeschakelde tijdsduur).

ENG900-1

Trilling

De totaalwaarde van de trillingen (triaxiale vectorsom) vastgesteld volgens EN62841:

Toepassing: schroeven aandraaien zonder slagbeweging

Trillingsemisatie (a_{h1}): 2,5 m/s² of minder

Onnauwkeurigheid (K): 1,5 m/s²

ENG901-2

OPMERKING:

- De totale trillingswaarde(n) is/zijn gemeten volgens een standaardtestmethode en kan/kunnen worden gebruikt om dit gereedschap te vergelijken met andere gereedschappen.
- De opgegeven totale trillingswaarde(n) kan/kunnen ook worden gebruikt voor een beoordeling vooraf van de blootstelling.

⚠ WAARSCHUWING:

- De trillingsemisatie tijdens het gebruik van het elektrisch gereedschap in de praktijk kan verschillen van de opgegeven waarde(n) afhankelijk van de manier waarop het gereedschap wordt gebruikt, met name van het soort werkstuk waarmee wordt gewerkt.
- Zorg ervoor dat veiligheidsmaatregelen worden getroffen ter bescherming van de gebruiker die zijn gebaseerd op een schatting van de blootstelling onder praktijkomstandigheden (rekening houdend met alle fasen van de bedrijfscyclus, zoals de tijdsduur gedurende welke het gereedschap is uitgeschakeld en stationair draait, naast de ingeschakelde tijdsduur).

EG-VERKLARING VAN CONFORMITEIT

Alleen voor Europese landen

De EG-verklaring van conformiteit is bijgesloten als Aanhangsel A bij deze gebruiksaanwijzing.

Explicación de los dibujos

1 Indicador rojo	10 Asidero de ajuste	19 Orificio
2 Botón	11 Anillo	20 Pasador
3 Cartucho de batería	12 Cabezal angular	21 Punta de atornillar
4 Lámparas indicadoras	13 Anillo de ajuste	22 Manguito
5 Botón de comprobación	14 Escala	23 Marca límite
6 Gatillo interruptor	15 Orificio para el asidero de ajuste	24 Atornillador
7 Interruptor inversor	16 Línea amarilla	25 Tapón portaescobillas
8 Lámpara	17 Resorte de compresión	
9 Indicador de LED	18 Llave de vaso	

EESPECIFICACIONES

Modelo		DFL061F	DFL082F	DFL122F	DFL202F
Par de torsión	Unión dura	1,5 – 6 N·m	2 – 8 N·m	5 – 12 N·m	8 – 20 N·m
	Unión blanda	1,5 – 6 N·m	2 – 8 N·m	5 – 12 N·m	8 – 20 N·m
Cabezal de atornillar angular		9,5 mm cuadrado o 6,35 mm hex.			
Velocidad en vacío (min ⁻¹)		470	700	410	220
Longitud total (Dependiendo de la batería)		405 – 422 mm			
Peso neto		1,5 – 2,1 kg			
Tensión nominal		CC 14,4 V			

- Debido a nuestro continuado programa de investigación y desarrollo, las especificaciones indicadas aquí están sujetas a cambio sin previo aviso.
- Las especificaciones pueden ser diferentes de país a país.
- El peso puede variar dependiendo del accesorio(s), incluyendo el cartucho de batería. La combinación menos pesada y la más pesada, de acuerdo con el procedimiento EPTA 01/2014, se muestran en la tabla.

Cartucho de batería y cargador aplicables

Cartucho de batería	BL1415N / BL1415NA / BL1430 / BL1430B / BL1440 / BL1450 / BL1460A / BL1460B
Cargador	DC18RC / DC18RD / DC18RE / DC18SD / DC18SE / DC18SF

- Algunos de los cartuchos de batería y cargadores indicados arriba puede que no estén disponibles dependiendo de su región de residencia.

⚠ ADVERTENCIA: Utilice solamente los cartuchos de batería y cargadores indicados arriba. La utilización de cualquier otro cartucho de batería y cargador puede ocasionar heridas y/o un incendio.

ENE033-1

GEB139-1

Uso previsto

La herramienta ha sido prevista para atornillar tornillos en madera, metal y plástico.

GEA010-2

ADVERTENCIAS DE SEGURIDAD PARA EL ATORNILLADOR INALÁMBRICO

1. **Cuando realice una operación en la que el fijador pueda entrar en contacto con cableado oculto, sujete la herramienta eléctrica por las superficies de asiento aisladas.** El contacto del fijador con un cable con corriente hará que la corriente circule por las partes metálicas expuestas de la herramienta eléctrica y podrá soltar una descarga eléctrica al operario.
2. **Asegúrese siempre de que tiene suelo firme. Asegúrese de que no haya nadie debajo cuando utilice la herramienta en lugares altos.**
3. **Sujete la herramienta firmemente.**
4. **Mantenga las manos alejadas de las partes giratorias.**
5. **No toque la punta de atornillar o la pieza de trabajo inmediatamente después de la operación; podrán estar muy calientes y quemarle la piel.**

Advertencias de seguridad para herramientas eléctricas en general

⚠ ¡ADVERTENCIA! Lea todas las advertencias de seguridad, instrucciones, ilustraciones y especificaciones provistas con esta herramienta eléctrica. Si no sigue todas las instrucciones indicadas abajo podrá resultar en una descarga eléctrica, un incendio y/o heridas graves.

Guarde todas las advertencias e instrucciones para futuras referencias.

El término "herramienta eléctrica" en las advertencias se refiere a su herramienta eléctrica de funcionamiento con conexión a la red eléctrica (con cable) o herramienta eléctrica de funcionamiento a batería (sin cable).

6. Sujete siempre la pieza de trabajo en un tornillo de banco o dispositivo de sujeción similar.

GUARDE ESTAS INSTRUCCIONES.

⚠ ADVERTENCIA:

NO deje que la comodidad o familiaridad con el producto (a base de utilizarlo repetidamente) sustituya la estricta observancia de las normas de seguridad para el producto en cuestión.

El MAL USO o el no seguir las normas de seguridad establecidas en este manual de instrucciones podrá ocasionar graves heridas personales.

ENC007-12

INSTRUCCIONES DE SEGURIDAD IMPORTANTES PARA EL CARTUCHO DE BATERÍA

1. Antes de utilizar el cartucho de batería, lea todas las instrucciones e indicaciones de precaución sobre (1) el cargador de baterías, (2) la batería, y (3) el producto con el que se utiliza la batería.
2. No desarme el cartucho de batería.
3. Si el tiempo de uso se acorta demasiado, cese la operación inmediatamente. Podría resultar en un riesgo de recalentamiento, posibles quemaduras e incluso una explosión.
4. Si entra electrólito en sus ojos, aclárelos con agua limpia y acuda a un médico inmediatamente. Existe el riesgo de poder perder la vista.
5. No cortocircuite el cartucho de batería:
 - (1) No toque los terminales con ningún material conductor.
 - (2) Evite guardar el cartucho de batería en un cajón junto con otros objetos metálicos, como clavos, monedas, etc.
 - (3) No exponga el cartucho de batería al agua ni a la lluvia.

Un cortocircuito en la batería puede producir una gran circulación de corriente, un recalentamiento, posibles quemaduras e incluso una rotura de la misma.

6. No guarde la herramienta y el cartucho de batería en lugares donde la temperatura pueda alcanzar o exceder los 50°C.
7. Nunca incinere el cartucho de batería incluso en el caso de que esté dañado seriamente o ya no sirva en absoluto. El cartucho de batería puede explotar si se tira al fuego.
8. Tenga cuidado de no dejar caer ni golpear el cartucho de batería.
9. No utilice una batería dañada.
10. Las baterías de litio-ion contenidas están sujetas a los requisitos de la Legislación para Materiales Peligrosos.

Para transportes comerciales, p.ej., por terceras personas y agentes de transportes, se deberán observar requisitos especiales para el empaquetado y etiquetado.

Para la preparación del artículo que se va a enviar, se requiere consultar con un experto en materiales peligrosos. Por favor, observe también la posibilidad de reglamentos nacionales más detallados.

Cubra con cinta aislante o enmascare los contactos expuestos y empaquete la batería de tal manera que no se pueda mover alrededor dentro del embalaje.

11. Siga los reglamentos locales referentes al desecho de la batería.
12. Utilice las baterías solamente con los productos especificados por Makita. La instalación de las baterías en productos no compatibles puede resultar en un incendio, calor excesivo, explosión, o fuga de electrolito.

GUARDE ESTAS INSTRUCCIONES.

⚠ PRECAUCIÓN: Utilice solamente baterías genuinas de Makita.

La utilización de baterías no genuinas de Makita, o baterías que han sido alteradas, puede resultar en una explosión de la batería ocasionando incendios, heridas personales y daños. También anulará la garantía de Makita para la herramienta y el cargador de Makita.

Consejos para alargar al máximo la vida de servicio de la batería

1. Cargue el cartucho de batería antes de que se descargue completamente. Detenga siempre la operación y cargue el cartucho de batería cuando note menos potencia en la herramienta.
2. No cargue nunca un cartucho de batería que esté completamente cargado. La sobrecarga acortará la vida de servicio de la batería.
3. Cargue el cartucho de batería a temperatura ambiente de 10°C – 40°C. Si un cartucho de batería está caliente, déjelo enfriar antes de cargarlo.
4. Cargue el cartucho de batería si no lo utiliza durante un periodo de tiempo prolongado (más de seis meses).

DESCRIPCIÓN DEL FUNCIONAMIENTO

⚠ PRECAUCIÓN:

- Asegúrese siempre de que la herramienta está apagada y el cartucho de batería extraído antes de realizar cualquier ajuste o comprobación en la herramienta.

Instalación o extracción del cartucho de batería (Fig. 1)

⚠ PRECAUCIÓN:

- Apague siempre la herramienta antes de la instalación o extracción del cartucho de batería.
- Sujete la herramienta y el cartucho de batería firmemente cuando instale o extraiga el cartucho de batería.
Si no sujeta la herramienta y el cartucho de batería firmemente podrán caérsele de las manos y resultar en daños a la herramienta y cartucho de batería y heridas personales.

Para extraer el cartucho de batería, deslícelo de la herramienta a la vez que desliza el botón de la parte frontal del cartucho.

Para instalar el cartucho de batería, alinee la lengüeta del cartucho de batería con la ranura de la carcasa y deslícelo hasta que encaje en su sitio. Insértelo a tope hasta que se bloquee en su sitio produciendo un pequeño chasquido. Si puede ver el indicador rojo en el lado superior del botón, no estará bloqueado completamente.

⚠ PRECAUCIÓN:

- Instale siempre el cartucho de batería completamente hasta que no pueda verse el indicador rojo. En caso contrario, podrá caerse accidentalmente de la herramienta y ocasionarle heridas a usted o a alguien que esté cerca de usted.
- No instale el cartucho de batería empleando fuerza. Si el cartucho no se desliza al interior fácilmente, será porque no está siendo insertado correctamente.

Comprobación de la capacidad de batería restante (BL1460A) (Fig. 2)

NOTA:

- Dependiendo de las condiciones de utilización y de la temperatura ambiente, la indicación podrá variar ligeramente de la capacidad real.

Cuando se está cargando

Cuando comienza la carga, la primera lámpara de indicación (extremo izquierdo) comienza a parpadear. Después, a medida que prosigue la carga, las otras lámparas se iluminan, una tras otra, para indicar la capacidad de batería.

NOTA:

- Si la lámpara de indicación no se enciende o parpadea cuando se está cargando, es posible que la batería esté defectuosa. En este caso, pregunte al centro de servicio local.

Cuando se está utilizando

Cuando se enciende la herramienta, las lámparas se iluminan para indicar la capacidad de batería restante. Cuando se apaga la herramienta, la luz se apaga después de aproximadamente 5 segundos.

Cuando se presiona el botón de comprobación con la herramienta apagada, las lámparas de indicación se encienden durante aproximadamente 5 segundos para mostrar la capacidad de batería.

Si la lámpara naranja parpadea, la herramienta se detendrá debido a la poca capacidad de batería restante (Mecanismo de parada automática). En este momento, cargue el cartucho de batería o utilice un cartucho de batería cargado.

Cuando la herramienta sea usada con una batería que no ha sido utilizada durante largo tiempo y sea puesta en marcha, es posible que no se ilumine ninguna lámpara. En este momento, la herramienta se detendrá debido a la poca capacidad de batería restante. Cargue la batería debidamente.

Indicador de LED / Zumbador

El indicador de LED / Zumbador de la herramienta muestra las siguientes funciones.

Función	Estado	Estado del indicador de LED/zumbador		Acción a tomar
		Indicador de LED	Zumbador	
Apriete con parada automática	Esta función se acciona cuando la herramienta alcanza el par de apriete predeterminado y se ha completado el apretado normal. Esto ayuda a evitar un apriete excesivo.	Se ilumina en verde durante un segundo aproximadamente.	—	—
Reencendido retardado	Durante un segundo aproximadamente después del apriete con parada automática, la herramienta no se encenderá aunque el gatillo interruptor sea apretado.			

Accionamiento del interruptor (Fig. 3)

⚠ PRECAUCIÓN:

- Antes de insertar el cartucho de batería en la herramienta, compruebe siempre para cerciorarse de que el gatillo interruptor se acciona debidamente y que vuelve a la posición "OFF" cuando lo suelta.

Para poner en marcha la herramienta, simplemente apriete el gatillo interruptor. Suelte el gatillo interruptor para parar.

Accionamiento del interruptor inversor (Fig. 4)

⚠ PRECAUCIÓN:

- Confirme siempre la dirección de giro antes de iniciar la operación.
- Utilice el interruptor inversor solamente después de que la herramienta se haya parado completamente. Si cambia la dirección de giro antes de que la herramienta se haya parado podrá dañarla.
- Cuando no está utilizando la herramienta, ponga siempre el interruptor inversor en la posición neutral.

Esta herramienta tiene un interruptor inversor para cambiar la dirección de giro. Presione hacia dentro el interruptor inversor del lado A para giro hacia la derecha o del lado B para giro hacia la izquierda.

Cuando la palanca del interruptor inversor esté en posición neutral, no se podrá apretar el gatillo interruptor.

Encendido de las lámparas (Fig. 5)

⚠ PRECAUCIÓN:

- No mire a la luz ni vea la fuente de luz directamente.

Apriete el gatillo interruptor para encender la lámpara. La lámpara seguirá encendida mientras el gatillo interruptor esté siendo apretado. La luz se apagará automáticamente 10 segundos después de soltar el gatillo interruptor.

NOTA:

- Utilice un paño seco para quitar la suciedad de la lente de la lámpara. Tenga cuidado de no rayar la lente de la lámpara, porque podrá disminuir la iluminación.

Función	Estado	Estado del indicador de LED/zumbador		Acción a tomar
		Indicador de LED	Zumbador	
Aviso contra apriete insuficiente	Un apriete insuficiente se habrá realizado cuando se haya soltado el gatillo interruptor antes de alcanzar el par de apriete predeterminado.	Se ilumina en rojo.	Un pitido largo	Reapriete el tornillo.
Advertencia para la capacidad del cartucho de batería	Esto indica el tiempo aproximado que queda para reemplazar el cartucho de batería cuando la potencia de la batería es baja.	Parpadea en rojo lentamente.	Una serie de pitidos largos	Reemplace la batería con una cargada completamente.
Comprobación de la capacidad de batería restante, parada automática	Esta función se acciona cuando la potencia de la batería está casi agotada. En ese momento, la herramienta se para inmediatamente.	Se ilumina en rojo.	Un pitido largo	Reemplace la batería con una cargada completamente.
Compruebe la operación del indicador de LED, lámpara y zumbador	Esta función se acciona para comprobar la correcta operación del indicador de LED, lámpara y zumbador cuando se ha insertado un cartucho de batería en la herramienta.	Se ilumina primero en verde, a continuación en rojo. (Y después la lámpara se ilumina.)	Una serie de pitidos muy cortos	—
Antireposición del controlador	Esta función se acciona cuando se produce una caída anormal de la tensión de la batería por alguna razón, y la herramienta se para.	Parpadea en rojo y verde alternativamente.	Una serie de pitidos cortos	Reemplace la batería con una cargada completamente.
Recalentamiento	Esta función se acciona cuando la temperatura del controlador sube mucho, y la herramienta se detiene.	Parpadea en rojo rápidamente.	Una serie de pitidos cortos	Extraiga el cartucho de batería inmediatamente y enfríe la herramienta.
Error de funcionamiento del gatillo interruptor	Esta función se acciona para evitar que la herramienta se ponga en marcha inmediatamente después de insertar el cartucho de batería en la herramienta con el gatillo interruptor estando apretado.	Parpadea en rojo y verde alternativamente.	Una serie de pitidos cortos	Suelte el gatillo interruptor.
Advertencia para el límite de capacidad de apriete	La herramienta se parará automáticamente sin el embrague funcionando cuando exceda el límite de la capacidad de apriete.	Parpadea en rojo y verde alternativamente.	Una serie de pitidos cortos	Extraiga el cartucho de batería y después instálelo otra vez. Asegúrese de utilizar la herramienta bajo carga dentro de su capacidad.

013073

Ajuste del par de apriete (Fig. 6 y 7)

Cuando desee atornillar tornillos de máquina, tornillos para madera, pernos hexagonales, etc., con el par de apriete predeterminado, ajuste el par de la forma siguiente.

1. Primero extraiga el cartucho de batería de la herramienta.
2. Afloje los tornillos que sujetan la tapa de la lámpara.
3. Gire el anillo de la parte delantera de la herramienta a mano de forma que se pueda ver un orificio por debajo del anillo.

4. Inserte el cartucho de batería y apriete el gatillo interruptor. Suéltelo de forma que el anillo de ajuste gire y se pueda ver en el orificio. Y después, extraiga el cartucho de batería.
5. Utilice un asidero de ajuste opcional para ajustar el par de apriete. Inserte el pasador del asidero de ajuste en el orificio de la parte delantera de la herramienta. Y después, gire el asidero de ajuste hacia la derecha para ajustar un par de apriete mayor, y hacia la izquierda para ajustar un par de apriete menor.
6. Alinee la línea amarilla con el número que desee de la escala de par de apriete.

7. Inserte el cartucho de batería y asegúrese de que el par de apriete ha sido ajustado utilizando el comprobador de par de apriete.
8. Gire el anillo de la parte frontal de la herramienta y después apriete el tornillo para sujetar el anillo.

NOTA:

- Los números de la escala de par de apriete son una guía para ajustar el par de apriete deseado.

MONTAJE

⚠ PRECAUCIÓN:

- Asegúrese siempre de que la herramienta esté apagada y el cartucho de batería extraído antes de realizar cualquier trabajo en la herramienta.

Selección de la llave de vaso o punta de atornillar correcta

Para algunos modelos hay diferentes tipos de llaves de vaso o puntas según las aplicaciones. Elija e instale la llave de vaso o punta de atornillar correcta para su aplicación.

Instalación o desmontaje de la llave de vaso (Fig. 8)

Para instalar la llave de vaso, empujela contra el accionador cuadrado de la herramienta con una mano y bajando el pasador del accionador cuadrado con la otra mano hasta que se bloquee en su sitio. Para desmontar la llave de vaso, simplemente sáquela presionando el pasador del accionador cuadrado.

Instalación o desmontaje de punta (Fig. 9)

Para herramientas con manguito retráctil

Para instalar la punta de atornillar, tire del manguito en el sentido de la flecha e inserte la punta de atornillar a tope en el manguito. Después suelte el manguito para sujetar la punta.

Para extraer la punta de atornillar, tire del manguito en el sentido de la flecha y tire de la punta de atornillar firmemente.

Para herramientas sin manguito retráctil

Para instalar la punta, inserte la punta a tope en el eje. Para desmontar la punta, tire de ella firmemente.

OPERACIÓN

Sujete la herramienta firmemente y ponga la llave de vaso sobre el perno o tuerca. Después encienda la herramienta. Cuando el embrague se accione, el motor se parará automáticamente. Después suelte el gatillo interruptor.

NOTA:

- Sujete la herramienta con su accionador cuadrado apuntando el línea recta al perno o tuerca, o el perno o tuerca se dañará.

Límites de la capacidad de apriete

Utilice la herramienta dentro del rango del ángulo de giro de hasta 360°. Si utiliza la herramienta por encima del límite superior de este rango, no funcionará el embrague. Y la herramienta no podrá desarrollar suficiente par de apriete (el indicador de LED parpadea en rojo y verde alternativamente).

NOTA:

- El ángulo de rotación se refiere al ángulo al que gira un tornillo/perno cuando la herramienta desarrolla del 50% al 100% del par de apriete deseado.

- La utilización de un cartucho de batería condicionado por bajas temperaturas podrá dar algunas veces aviso para la capacidad del cartucho de batería mediante la lámpara de aviso y zumbador lo que hará que la herramienta se pare inmediatamente. En este caso, la capacidad de apriete podrá ser inferior a la especificación indicada en este manual incluso si se utiliza un cartucho de batería cargado.

MANTENIMIENTO

⚠ PRECAUCIÓN:

- Asegúrese siempre de que la herramienta esté apagada y el cartucho de batería desmontado antes de intentar realizar una inspección o mantenimiento.
- No utilice nunca gasolina, bencina, disolvente, alcohol o similares. Podría producir descoloración, deformación o grietas.

Reemplazo de las escobillas de carbón (Fig. 10 y 11)

Extraiga e inspeccione las escobillas de carbón regularmente. Reemplácelas cuando se hayan gastado hasta la marca límite. Mantenga las escobillas de carbón limpias de forma que entren libremente en los portaescobillas. Deberá reemplazar ambas escobillas de carbón al mismo tiempo. Utilice únicamente escobillas de carbón idénticas.

Utilice un atornillador para quitar los tapones portaescobillas. Extraiga las escobillas desgastadas, inserte las nuevas y vuelva a colocar los tapones portaescobillas.

Para mantener la SEGURIDAD y la FIABILIDAD del producto, las reparaciones y cualquier otro mantenimiento o ajuste deberán ser realizados por los centros de servicio autorizado de Makita, siempre con piezas de repuesto de Makita.

ACCESORIOS OPCIONALES

⚠ PRECAUCIÓN:

- Estos accesorios o aditamentos están recomendados para su uso con la herramienta Makita especificada en este manual. El uso de cualquier otro accesorio o aditamento puede suponer un riesgo de lesiones personales. Utilice el accesorio o aditamento exclusivamente para su uso declarado.

Si necesita información más detallada sobre estos accesorios, consulte con su centro local de servicio de Makita.

- Protector
- Batería y cargador genuinos de Makita
- Conjunto de cabezal angular
- Asidero de ajuste
- Accesorio anti-retrocesos bruscos
- Eje completo

NOTA:

- Algunos elementos de la lista podrán estar incluidos en el paquete de la herramienta como accesorios estándar. Pueden variar de un país a otro.

Ruido

El nivel de ruido A-ponderado típico determinado de acuerdo con la norma EN62841:

Nivel de presión sonora (L_{pA}): 70 dB (A) o menos

Incerteza (K): 3 dB (A)

El nivel de ruido en situación de trabajo puede que sobrepase los 80 dB (A).

ENG907-1

NOTA:

- El valor (o los valores) de emisión de ruido declarado ha sido medido de acuerdo con un método de prueba estándar y se puede utilizar para comparar una herramienta con otra.
- El valor (o valores) de emisión de ruido declarado también se puede utilizar en una valoración preliminar de exposición.

⚠ ADVERTENCIA:

- **Póngase protectores para oídos.**
- **La emisión de ruido durante la utilización real de la herramienta eléctrica puede variar del valor (o los valores) de emisión declarado dependiendo de las formas en las que la herramienta sea utilizada, especialmente qué tipo de pieza de trabajo se procesa.**
- **Asegúrese de identificar medidas de seguridad para proteger al operario que estén basadas en una estimación de la exposición en las condiciones reales de utilización (teniendo en cuenta todas las partes del ciclo operativo como las veces cuando la herramienta está apagada y cuando está funcionando en vacío además del tiempo de gatillo).**

ENG900-1

Vibración

El valor total de la vibración (suma de vectores triaxiales) determinado de acuerdo con la norma EN62841:

Modo tarea: atornillado sin impacto

Emisión de vibración (a_{h1}): 2,5 m/s² o menos

Incerteza (K): 1,5 m/s²

ENG901-2

NOTA:

- El valor (o los valores) total de emisión de vibración declarado ha sido medido de acuerdo con un método de prueba estándar y se puede utilizar para comparar una herramienta con otra.
- El valor (o los valores) total de emisión de vibración declarado también se puede utilizar en una valoración preliminar de exposición.

⚠ ADVERTENCIA:

- **La emisión de vibración durante la utilización real de la herramienta eléctrica puede variar del valor (o los valores) de emisión declarado dependiendo de las formas en las que la herramienta sea utilizada, especialmente qué tipo de pieza de trabajo se procesa.**
- **Asegúrese de identificar medidas de seguridad para proteger al operario que estén basadas en una estimación de la exposición en las condiciones reales de utilización (teniendo en cuenta todas las partes del ciclo operativo como las veces cuando la herramienta está apagada y cuando está funcionando en vacío además del tiempo de gatillo).**

Explicação geral

1	Indicador vermelho	9	Indicador LED	18	Conector
2	Botão	10	Punho de ajuste	19	Orifício
3	Cartucho da bateria	11	Anel	20	Pino
4	Luzes indicadoras	12	Cabeça angular	21	Ponta para parafusos
5	Botão de verificação	13	Anel de regulação	22	Manga
6	Gatilho do interruptor	14	Escala	23	Marca limite
7	Alavanca do interruptor de inversão	15	Orifício para ajustar o punho	24	Chave de parafusos
8	Lâmpada	16	Linha amarela	25	Tampa do porta escovas
		17	Mola de compressão		

ESPECIFICAÇÕES

Modelo		DFL061F	DFL082F	DFL122F	DFL202F
Binário de aperto	Junta dura	1,5 – 6 N·m	2 – 8 N·m	5 – 12 N·m	8 – 20 N·m
	Junta mole	1,5 – 6 N·m	2 – 8 N·m	5 – 12 N·m	8 – 20 N·m
Cabeçote angular		9,5 mm quadrado ou 6,35 mm hexagonal			
Velocidade em vazio (min ⁻¹)		470	700	410	220
Comprimento geral (Dependendo da bateria)		405 – 422 mm			
Peso líquido		1,5 – 2,1 kg			
Tensão nominal		14,4 V C.C			

- Devido ao nosso programa contínuo de investigação e desenvolvimento, estas especificações podem ser alteradas sem aviso prévio.
- As especificações podem variar de país para país.
- O peso pode diferir dependendo do(s) acessório(s), incluindo a bateria. A combinação mais leve e mais pesada, de acordo com o Procedimento 01/2014 da EPTA (European Power Tool Association), são apresentadas na tabela.

Cartucho de bateria e carregador aplicáveis

Cartucho de bateria	BL1415N / BL1415NA / BL1430 / BL1430B / BL1440 / BL1450 / BL1460A / BL1460B
Carregador	DC18RC / DC18RD / DC18RE / DC18SD / DC18SE / DC18SF

- Alguns dos cartuchos de bateria e carregadores listados acima podem não estar disponíveis, dependendo da sua região de residência.

⚠️ ADVERTÊNCIA: Utilize apenas os cartuchos de bateria e os carregadores listados acima. A utilização de qualquer outro cartucho de bateria e carregador pode provocar ferimentos e/ou incêndio.

ENE033-1

GEB139-1

Utilização a que se destina

A ferramenta serve para aparafusar em madeira, metal e plástico.

AVISOS DE SEGURANÇA DA PARAFUSADEIRA A BATERIA

1. **Segure na ferramenta elétrica através das superfícies de aderência isoladas quando realizar uma operação na qual o fixador possa estabelecer contacto com os fios escondidos.** Os fixadores que estabelecem contacto com um fio sob tensão poderão colocar peças metálicas expostas da ferramenta elétrica sob tensão e podem causar um choque elétrico no operador.
2. **Assegure sempre uma posição firme. Certifique-se de que ninguém se encontra sob locais elevados quando utiliza a ferramenta nestes locais.**
3. **Segure a ferramenta com firmeza.**
4. **Mantenha as mãos afastadas de peças rotativas.**
5. **Não toque na broca ou na peça de trabalho imediatamente após a operação; estas podem estar extremamente quentes e podem queimar a sua pele.**

Avisos gerais de segurança para ferramentas eléctricas

⚠️ AVISO! Leia todos os avisos de segurança, instruções, ilustrações e especificações fornecidos com esta ferramenta eléctrica. O não cumprimento de todas as instruções indicadas em baixo pode resultar em choque eléctrico, incêndio e/ou ferimentos graves.

Guarde todos os avisos e instruções para futuras referências.

O termo "ferramenta eléctrica" nos avisos refere-se às ferramentas eléctricas ligadas à corrente eléctrica (com cabo) ou às ferramentas eléctricas operadas por meio de bateria (sem cabo).

GEA010-2

6. Fixe sempre a peça de trabalho num torno ou num dispositivo de retenção similar.

GUARDE ESTAS INSTRUÇÕES.

AVISO:

NÃO permita que o conforto ou a familiaridade com o produto (adquirido com o uso repetido) substitua a adesão estrita às regras de segurança da ferramenta. **A MÁ INTERPRETAÇÃO** ou o não seguimento das regras de segurança estabelecidas neste manual de instruções pode causar danos pessoais graves.

ENC007-12

INSTRUÇÕES DE SEGURANÇA IMPORTANTES PARA A BATERIA


1. Antes de utilizar a bateria, leia todas as instruções e etiquetas de precaução no (1) carregador de bateria (2) bateria e (3) produto que utiliza a bateria.
2. Não abra a bateria.
3. Se o tempo de funcionamento se tornar excessivamente curto, pare o funcionamento imediatamente. Pode resultar em sobreaquecimento, possíveis queimaduras e mesmo explosão.
4. Se entrar eletrólito nos seus olhos, lave-os com água e consulte imediatamente um médico. Pode resultar em perda de visão.
5. Não coloque a bateria em curto-circuito:
 - (1) Não toque nos terminais com qualquer material condutor.
 - (2) Evite guardar a bateria juntamente com outros objetos metálicos tais como pregos, moedas, etc.
 - (3) Não exponha a bateria à água ou chuva.

Um curto-circuito pode ocasionar um enorme fluxo de corrente, sobreaquecimento, possíveis queimaduras e mesmo estragar-se.

6. Não guarde a ferramenta e a bateria em locais onde a temperatura pode atingir ou exceder 50°C.
7. Não queime a bateria mesmo que esteja estragada ou completamente gasta. A bateria pode explodir no fogo.
8. Tenha cuidado para não deixar cair ou dar pancadas na bateria.
9. Não utilize uma bateria danificada.
10. As baterias de íons de lítio contidas na ferramenta são sujeitas aos requisitos da DGL (Dangerous Goods Legislation - Legislação de bens perigosos).
Para o transporte comercial, por exemplo, por terceiros ou agentes de expedição, têm de ser observados os requisitos referentes à embalagem e etiquetagem.
Para preparação do artigo a ser expedido, é necessário consultar um perito em materiais perigosos. Tenha ainda em conta a possibilidade de existirem regulamentos nacionais mais detalhados. Coloque fita-cola ou tape os contactos abertos e embale a bateria de tal forma que não possa mover-se dentro da embalagem.
11. Siga os regulamentos locais relacionados com a eliminação de baterias.

12. Utilize as baterias apenas com os produtos especificados pela Makita. Instalar as baterias em produtos não-conformes poderá resultar num incêndio, calor excessivo, explosão ou fuga de eletrólito.

GUARDE ESTAS INSTRUÇÕES.

 **PRECAUÇÃO:** Utilize apenas baterias genuínas da Makita.

A utilização de baterias não genuínas da Makita ou de baterias que foram alteradas, pode resultar no rebrandamento da bateria provocando incêndios, ferimentos pessoais e danos. Além disso, anulará da garantia da Makita no que se refere à ferramenta e ao carregador Makita.

Conselhos para manter a máxima vida útil da bateria

1. Carregue a bateria antes que esteja completamente descarregada. Pare sempre o funcionamento da ferramenta e carregue a bateria quando notar menos poder na ferramenta.
2. Nunca carregue uma bateria completamente carregada. Carregamento excessivo diminui a vida útil da bateria.
3. Carregue a bateria à temperatura ambiente de 10°C – 40°C. Deixe que uma bateria quente arrefeça antes de a carregar.
4. Carregue a bateria se não a utilizar durante um longo período de tempo (mais de seis meses).

DESCRIÇÃO FUNCIONAL

PRECAUÇÃO:

• Certifique-se sempre de que a ferramenta está desligada e a bateria retirada antes de regular ou verificar qualquer função na ferramenta.

Instalar ou retirar o cartucho da bateria (Fig. 1)

PRECAUÇÃO:

- Desligue sempre a ferramenta antes de instalar ou retirar o cartucho da bateria.
- **Segure firmemente na ferramenta e no cartucho da bateria quando instalar ou retirar o cartucho da bateria.**
Ao não segurar firmemente na ferramenta e bateria pode fazer com que escorreguem das suas mãos e resultar em danos para a ferramenta e bateria e ferimento pessoal.

Para retirar o cartucho da bateria, deslize-o da ferramenta enquanto desliza o botão na parte da frente do cartucho.

Para instalar o cartucho da bateria, alinhe a lingueta no cartucho da bateria com o entalhe na caixa e deslize-o para o lugar. Insira-o por completo até bloquear no lugar com um pequeno estalido. Se conseguir ver o indicador vermelho no lado superior do botão, não está bloqueado completamente.

PRECAUÇÃO:

- Instale sempre o cartucho da bateria por completo até o indicador vermelho não ser visto. Se isso não acontecer, pode cair acidentalmente da ferramenta, causando-lhe ferimentos a si ou alguém perto de si.
- Não instale o cartucho da bateria fazendo força. Se o cartucho não deslizar facilmente, não está a ser inserido correctamente.

Verificar a capacidade restante da bateria (BL1460A) (Fig. 2)

NOTA:

- Dependendo das condições de utilização e da temperatura ambiente, a indicação pode ser ligeiramente diferente da capacidade real.

Quando está a carregar

Quando a carga inicia, a primeira luz indicadora (extremo esquerdo) começa a piscar. De seguida, à medida que a carga avança, as restantes luzes acendem, uma após a outra, para indicar a capacidade da bateria.

NOTA:

- Se a luz indicadora não ligar ou piscar quando estiver a carregar, a bateria poderá estar anómala. Neste caso, solicite assistência ao seu centro de assistência local.

Quando estiver a utilizar

Quando a ferramenta é ligada, as luzes acendem para indicar a capacidade restante da bateria. Quando a ferramenta é desligada, a luz apaga após aprox. 5 segundos.

Quando premir o botão de verificação com a ferramenta desligada, as luzes indicadoras ligam durante aprox. 5 segundos para mostrar a capacidade da bateria.

Se a luz laranja piscar, a ferramenta para devido a pouca capacidade restante da bateria (mecanismo de paragem automática). Carregue a bateria ou utilize uma bateria carregada nesta altura.

Quando a ferramenta é utilizada com a bateria que não foi usada há muito tempo e estiver ligada, nenhuma luz poderá acender. A ferramenta para devido a pouca capacidade restante da bateria nesta altura. Carregue a bateria apropriadamente.

Acção do interruptor (Fig. 3)

⚠ PRECAUÇÃO:

- Antes de inserir o cartucho da bateria na ferramenta, verifique sempre se o gatilho do interruptor funciona correctamente e volta à posição "OFF" (desligado) quando libertado.

Para ligar a ferramenta, carregue simplesmente no gatilho do interruptor. Liberte o gatilho do interruptor para parar.

Acção do interruptor de inversão (Fig. 4)

⚠ PRECAUÇÃO:

- Verifique sempre a direcção de rotação antes da operação.
- Utilize o interruptor de inversão só depois da ferramenta estar completamente parada. Mudar a direcção de rotação antes da ferramenta parar pode danificá-la.
- Quando não operar a ferramenta, regule sempre a alavanca do interruptor de inversão para a posição neutra.

Esta ferramenta tem um interruptor de inversão para mudar a direcção de rotação. Carregue na alavanca do interruptor de inversão do lado A para rotação para a direita ou do lado B para rotação para a esquerda.

Quando o interruptor de inversão estiver na posição neutra, não consegue accionar o interruptor de gatilho.

Acender as lâmpadas (Fig. 5)

⚠ PRECAUÇÃO:

- Não olhe para a luz ou para a fonte de iluminação directamente.

Puxe o gatilho do interruptor para acender a lâmpada. A lâmpada continua a acender enquanto o gatilho do interruptor estiver a ser apertado. A luz apaga-se automaticamente 10 segundos depois de soltar o interruptor de gatilho.

NOTA:

- Utilize um pano seco para limpar a sujidade da lente da lâmpada. Tenha cuidado para não riscar a lente da lâmpada ou pode diminuir a iluminação.

Indicador LED/Sinal sonoro

Indicador LED/Sinal sonoro na ferramenta que mostra as seguintes funções.

Função	Estado	Estado do indicador LED/sinal sonoro		Acção a executar
		Indicador LED	Sinal sonoro	
Paragem automática do aperto	Esta função funciona quando a ferramenta atingir o binário de aperto pré-regulado e o aperto normal estiver concluído. Isto impede que aperte demais.	Acende-se com uma luz verde durante cerca de um segundo.	—	—
Atraso no rearranque	Durante cerca de um segundo depois da paragem automática do aperto, a ferramenta não arranca, mesmo que pressione o interruptor de gatilho.			
Aviso de aperto insuficiente	O aperto efectuado não era suficiente se soltar o gatilho antes de atingir o binário de aperto pré-regulado.	Acende-se com uma luz vermelha.	Um sinal sonoro longo	Volte a apertar o parafuso.

Função	Estado	Estado do indicador LED/sinal sonoro		Acção a executar
		Indicador LED	Sinal sonoro	
Aviso relativo à carga da bateria	Indica a altura em que deve substituir a bateria quando a carga está baixa.	Pisca lentamente com uma luz vermelha.	Uma série de sinais sonoros longos	Substitua a bateria por uma completamente carregada.
Verificação da capacidade restante da bateria, paragem automática	Esta função funciona quando a carga da bateria estiver quase no fim. Nessa altura, a ferramenta pára imediatamente.	Acende-se com uma luz vermelha.	Um sinal sonoro longo	Substitua a bateria por uma completamente carregada.
Verificação do funcionamento do indicador luminoso, lâmpada e sinal sonoro	Esta função verifica se o indicador luminoso, a lâmpada e o sinal sonoro estão a funcionar correctamente quando instalar uma bateria na ferramenta.	Acende-se primeiro com uma luz verde e depois vermelha. (Depois a luz fica acesa.)	Uma série de sinais sonoros muito curtos	—
Contra-regulação do controlador	Esta função funciona quando, por qualquer razão, ocorre uma diminuição anormal da voltagem da bateria e a ferramenta pára.	Pisca com uma luz vermelha e verde alternadamente.	Uma série de sinais sonoros curtos	Substitua a bateria por uma completamente carregada.
Sobreaquecimento	Esta função funciona quando a temperatura do controlador sobe muito e a ferramenta pára.	Pisca rapidamente com uma luz vermelha.	Uma série de sinais sonoros curtos	Retire imediatamente a bateria e deixe a ferramenta arrefecer.
Erro de funcionamento do interruptor de gatilho	Esta função funciona para evitar que a ferramenta comece a funcionar imediatamente a seguir à instalação da bateria na ferramenta se o interruptor de gatilho está pressionado.	Pisca com uma luz vermelha e verde alternadamente.	Uma série de sinais sonoros curtos	Solte o interruptor de gatilho.
Aviso para limite da capacidade de aperto	A ferramenta pára automaticamente sem a embraiagem a funcionar quando excede o limite da capacidade de aperto.	Pisca com uma luz vermelha e verde alternadamente.	Uma série de sinais sonoros curtos	Retire a bateria e depois volte a instalar. Certifique-se de que usa a ferramenta sob carga dentro da sua capacidade.

013073

Regular o binário de aperto (Fig. 6 e 7)

Quando quiser aparafusar parafusos de máquina, parafusos para madeira, parafusos sextavados; etc. com o binário de aperto predeterminado, regule esta última da forma seguinte.

1. Primeiro retire a bateria da ferramenta.
2. Desaperte os parafusos que prendem a tampa da luz.
3. Rode o anel existente na parte da frente da ferramenta à mão, para que o orifício existente por baixo do anel fique visível.
4. Coloque a bateria no lugar e pressione o interruptor de gatilho. Solte-o para que o anel de ajuste rode e fique visível no orifício. Depois retire a bateria.
5. Utilize um punho de ajuste adicional para ajustar o binário de aperto. Introduza o pino do punho de ajuste no orifício na parte da frente da ferramenta. Depois, rode o punho de ajuste para a direita para regular num binário de aperto maior e para a esquerda para regular num binário de aperto menor.

6. Alinhe a linha amarela com o número da escala do binário de aperto desejado.

7. Introduza a bateria e verifique se regulou o binário de aperto utilizando um torquímetro.

8. Rode o anel na parte frontal da ferramenta e depois aperte o parafuso para fixar o anel.

NOTA:

- Os números da escala do binário de aperto servem de guia para regular a tensão de aperto desejada.

ASSEMBLAGEM

⚠ PRECAUÇÃO:

- Certifique-se sempre de que a ferramenta está desligada e a bateria retirada antes de executar qualquer manutenção na ferramenta.

Seleccionar o conector ou a ponta para parafusos correctos

Existem diversos tipos de conectores ou pontas para alguns modelos, dependendo das aplicações. Escolha e instale um conector ou ponta correcto para a aplicação.

Instalar ou retirar o conector (Fig. 8)

Para instalar o conector, empurre-o para o cubo de transmissão da ferramenta com uma mão e carregue no pino do cubo de transmissão com a outra mão até o encaixar no lugar. Para retirar o conector, basta puxá-lo carregando no pino do cubo de transmissão.

Instalar ou retirar a ponta (Fig. 9)

Para ferramentas com casquilho retráctil

Para instalar a broca, puxe a manga na direcção da seta e coloque a broca na manga o mais fundo possível. Em seguida solte a manga para prender a broca.

Para retirar a broca, puxe a manga na direcção da seta e puxe a broca para fora firmemente.

Para ferramentas sem casquilho retráctil

Para instalar a ponta, basta introduzi-la no veio até onde puder. Para retirar a ponta, puxe-a firmemente para fora.

OPERAÇÃO

Agarre na ferramenta firmemente e coloque o conector sobre o perno ou porca. Depois ligue a ferramenta. Quando a embraiagem desengatar, o motor pára automaticamente. Depois solte o interruptor de gatilho.

NOTA:

- Agarre na ferramenta com o cubo de transmissão apontado direito para o perno ou porca, ou o perno ou a porca ficarão danificados.

Limites da capacidade do binário de aperto

Utilize a ferramenta dentro da variação do ângulo de rotação até 360°. Se utilizar a ferramenta para além do limite superior desta variação, a embraiagem não funciona. E a ferramenta não pode fornecer um binário de aperto suficiente (o indicador LED pisca a vermelho e verde alternadamente).

NOTA:

- O ângulo de rotação é o ângulo a que o parafuso/perno roda quando a ferramenta atinge os 100% de 50% do binário de aperto desejada.
- Por vezes, se utilizar uma bateria carregada a uma temperatura baixa, pode activar o indicador luminoso e o sinal sonoro de aviso relativos à capacidade da bateria fazendo com que a ferramenta pare imediatamente. Se isso acontecer, mesmo que esteja a utilizar uma bateria carregada, os limites da capacidade da tensão de aperto podem ser inferiores aos mostrados neste manual.

MANUTENÇÃO

⚠ PRECAUÇÃO:

- Certifique-se sempre que a ferramenta está desligada e o cartucho da bateria retirado antes de fazer a inspecção ou manutenção.
- Nunca utilize gasolina, benzina, diluente, álcool ou produtos semelhantes. Pode ocorrer a descoloração, deformação ou rachaduras.

Substituição das escovas de carvão (Fig. 10 e 11)

Retire e verifique regularmente as escovas de carvão. Substitua-as quando estiverem gastas até à marca limite. Mantenha as escovas de carvão limpas e a deslizar em nos suportes. As duas escovas de carvão devem ser substituídas ao mesmo tempo. Só utilize escovas de carvão idênticas.

Utilize uma chave de parafusos para retirar as tampas do porta-escovas. Retire as escovas de carvão usadas, coloque as novas e prenda as tampas dos porta-escovas.

Para manter a SEGURANÇA e FIABILIDADE, as reparações e outras acções de manutenção ou ajustes devem ser executados pelos Centros de assistência autorizados da Makita, utilizando sempre peças de substituição Makita.

ACESSÓRIOS OPCIONAIS

⚠ PRECAUÇÃO:

- Estes acessórios ou peças são recomendados para utilização com a ferramenta Makita especificada neste manual. A utilização de outros acessórios ou peças pode ser perigosa para as pessoas. Utilize apenas acessórios ou peças para os fins indicados.

Se precisar de ajuda para obter mais informações relativas a estes acessórios, entre em contacto com o centro de assistência Makita local.

- Protector
- Bateria e carregador genuínos da Makita
- Conjunto de cabeça angular
- Punho de ajuste
- Acessório antirretorno
- Eixo completo

NOTA:

- Alguns itens da lista podem estar incluídos na embalagem da ferramenta como acessórios padrão. Eles podem variar de país para país.

ENG905-1

Ruído

A característica do nível de ruído A determinado de acordo com EN62841:

Nível de pressão de som (L_{pA}): 70 dB (A) ou inferior
Variabilidade (K): 3 dB (A)

O nível de ruído durante o trabalho pode exceder 80 dB (A).

ENG907-1

NOTA:

- O(s) valor(es) da emissão de ruído indicado(s) foi medido de acordo com um método de teste padrão e pode ser utilizado para comparar duas ferramentas.
- O(s) valor(es) da emissão de ruído indicado(s) pode também ser utilizado na avaliação preliminar da exposição.

⚠ AVISO:

- Utilize protectores auriculares.
- A emissão de ruído durante a utilização real da ferramenta eléctrica pode diferir do(s) valor(es) indicado(s), dependendo das formas como a ferramenta é utilizada, especialmente o tipo de peça de trabalho que é processada.

- **Certifique-se de identificar as medidas de segurança para protecção do operador que sejam baseadas em uma estimativa de exposição em condições reais de utilização (considerando todas as partes do ciclo de operação, tal como quando a ferramenta está desligada e quando está a funcionar em marcha lenta além do tempo de accionamento).**

ENG900-1

Vibração

O valor total da vibração (soma vectorial tri-axial) determinado de acordo com EN62841:

Modo de funcionamento: perfuração sem impacto

Emissão de vibração (a_{h1}): 2,5 m/s² ou inferior

Variabilidade (K): 1,5 m/s²

ENG901-2

NOTA:

- O(s) valor(es) total(ais) de vibração indicado(s) foi medido de acordo com um método de teste padrão e pode ser utilizado para comparar duas ferramentas.
- O(s) valor(es) total(ais) de vibração indicado(s) pode também ser utilizado na avaliação preliminar da exposição.

⚠ AVISO:

- **A emissão de vibração durante a utilização real da ferramenta eléctrica pode diferir do(s) valor(es) indicado(s), dependendo das formas como a ferramenta é utilizada, especialmente o tipo de peça de trabalho que é processada.**
- **Certifique-se de identificar as medidas de segurança para protecção do operador que sejam baseadas em uma estimativa de exposição em condições reais de utilização (considerando todas as partes do ciclo de operação, tal como quando a ferramenta está desligada e quando está a funcionar em marcha lenta além do tempo de accionamento).**

DECLARAÇÃO DE CONFORMIDADE CE

Apenas para países europeus

A declaração de conformidade da CE está incluída no Anexo A deste manual de instruções.

Illustrationsoversigt

1 Rød indikator	10 Justeringshåndtag	19 Hul
2 Knap	11 Ring	20 Stift
3 Akku	12 Vinkelhoved	21 Skruebit
4 Indikatorlamper	13 Justeringsring	22 Muffe
5 Kontrolknap	14 Skala	23 Grænsemærke
6 Afbryderknap	15 Hul til justeringshåndtag	24 Skruetrækker
7 Omløbsvælger	16 Gul linje	25 Kulbørsteholderdæksel
8 Lampe	17 Trykfeder	
9 LED indikator	18 Top	

SPECIFIKATIONER

Model		DFL061F	DFL082F	DFL122F	DFL202F
Drejningsmoment	Kraftig iskruning	1,5 – 6 N·m	2 – 8 N·m	5 – 12 N·m	8 – 20 N·m
	Let iskruning	1,5 – 6 N·m	2 – 8 N·m	5 – 12 N·m	8 – 20 N·m
Vinkeldrivhoved		9,5 mm firkant eller 6,35 mm sekskant			
Omdrejninger ubelastet (min ⁻¹)		470	700	410	220
Samlet længde (Afhængigt af batteriet)		405 – 422 mm			
Nettovægt		1,5 – 2,1 kg			
Mærkespænding		D.C. 14,4 V			

- På grund af vores kontinuerlige forskningsprogrammer og udvikling, kan hosstående specifikationer blive ændret uden varsel.
- Specifikationer kan variere fra land til land.
- Vægten kan variere afhængigt af tilbehøret, inklusive akkuen. Den letteste og tungeste kombination, i henhold til EPTA-Procedure 01/2014, er vist i tabellen.

Anvendelig akku og oplader

Akku	BL1415N / BL1415NA / BL1430 / BL1430B / BL1440 / BL1450 / BL1460A / BL1460B
Oplader	DC18RC / DC18RD / DC18RE / DC18SD / DC18SE / DC18SF

- Nogle af ovenstående akkuer og opladere er muligvis ikke tilgængelige, afhængigt af hvilket område du bor i.

⚠ ADVARSEL: Du må kun anvende ovenstående akkuer og opladere. Brug af andre akkuer og opladere kan medføre personskade og/eller brand.

ENE033-1

GEB139-1

Tilsluttet anvendelse

Maskinen er beregnet til iskruning af skruer i træ, metal og plastic.

GEA010-2

SIKKERHEDSADVARSLER FOR AKKU SKRUETRÆKKER

1. **Hold maskinen i de isolerede gribeblader, når der udføres et arbejde, hvor fastgørelsesmidlet kan komme i kontakt med skjulte ledninger.** Fastgørelsesmidler, der kommer i kontakt med en strømførende ledning, kan bevirke, at udsatte metaldele på maskinen bliver strømførende, hvorved operatøren kan få elektrisk stød.
2. **Sørg altid for, at du har et godt fodfæste. Sørg for, at der ikke befinder sig nogen under dig, når maskinen anvendes på højtliggende steder.**
3. **Hold godt fast i maskinen.**
4. **Hold hænderne på afstand af roterende dele.**
5. **Rør ikke ved bitten eller arbejdsemnet umiddelbart efter anvendelse. De kan begge være meget varme og forårsage forbrænding af huden.**

Almindelige sikkerhedsregler for el-værktøj

⚠ ADVARSEL! Læs alle de sikkerhedsadvarsler, instruktioner, illustrationer og specifikationer, der følger med denne maskine. Forsømmelse af at overholde alle nedenstående instruktioner kan medføre elektrisk stød, brand og/eller alvorlig personskade.

Gem alle advarsler og instruktioner til fremtidig reference.

Ordet "el-værktøj" i advarslerne henviser til det netforsynede (netledning) el-værktøj eller batteriforsynede (akku) el-værktøj.

6. Fastgør altid arbejdsemnet i en skruestik eller lignende udstyr til fastgørelse.

GEM DENNE BRUGSANVISNING.

⚠ ADVARSEL:

LAD IKKE bekvemmelighed eller kendskab til produktet (opnået gennem gentagen brug) forhindre, at sikkerhedsforskrifterne for produktet nøje overholdes.

MISBRUG eller forsømmelse af at følge de i denne brugsvejledning givne sikkerhedsforskrifter kan føre til, at De kommer alvorligt til skade.

ENC007-12

VIGTIGE SIKKERHEDSINSTRUKTIONER FOR AKKUEN

- Læs alle instruktioner og advarselmærkater på (1) akku-opladeren, (2) akkuen og (3) produktet, som anvender akku.
- Lad være med at skille akkuen ad.
- Hold straks op med anvendelsen, hvis brugstiden er blevet stærkt afkortet. Fortsat anvendelse kan resultere i risiko for overophedning, forbrændinger og endog eksplosion.
- Hvis De har fået elektrolytvæske i øjnene, skal De straks skylle den ud med rent vand og derefter øjeblikkeligt søge lægehjælp. I modsat fald kan De miste synet.
- Vær påpasselig med ikke at komme til at kortslutte akkuen:
 - Rør ikke ved terminalerne med noget ledende materiale.
 - Undgå at opbevare akkuen i en beholder sammen med andre genstande af metal, for eksempel søm, mønter og lignende.
 - Udsæt ikke akkuen for vand eller regn.

Kortslutning af akkuen kan forårsage en kraftig øgning af strømmen, overophedning, mulige forbrændinger og endog værktøjstop.

- Opbevar ikke værktøjet og akkuen på et sted, hvor temperaturen kan nå eller overstige 50°C.
- Lad være med at brænde akkuen, selv ikke i tilfælde, hvor den har lidt alvorlig skade eller er fuldstændig udtjent. Akkuen kan eksplodere, hvis man forsøger at brænde den.
- Lad være med at brænde akkuen eller udsætte den for stød.
- Anvend ikke en beskadiget akku.
- De indbyggede litium-ion-batterier er underlagt lovkrav vedrørende farligt gods. Ved kommerciel transport, f.eks. af tredjeparts transportselskaber, skal særlige krav til forpakning og mærkning overholdes. Ved forberedelse af udstyret til forsendelse skal du kontakte en ekspert i farligt gods. Overhold også eventuel mere detaljeret national lovgivning. Tape eller tildæk åbne kontakter, og pak batteriet på en måde, så det ikke kan flytte sig rundt i pakningen.
- Følg de lokale love vedrørende bortskaffelsen af batterier.

12. Brug kun batterierne med de produkter, som **Makita specificerer**. Hvis batterierne installeres i ikke-kompatible produkter, kan det medføre brand, kraftig varme, eksplosion eller udsivning af elektrolyt.

GEM DENNE BRUGSANVISNING.

⚠ FORSIGTIG: Brug kun originale batterier fra Makita.

Brug af uoriginale Makita-batterier, eller batterier som er blevet ændret, kan muligvis medføre brud på batteriet, hvilket kan forårsage brand, personskade eller beskadigelse. Det ugyldiggør også Makita-garantien for Makita-maskinen og opladeren.

Tips til opnåelse af maksimal akku-levetid

- Oplad akkuen, inden den er helt afladet. Stop altid værktøjet, og oplad akkuen, hvis De bemærker, at værktøjeffekten er aftagende.
- Genoplad aldrig en fuldt opladet akku. Overoplading vil afkorte akkuens levetid.
- Oplad akkuen ved stuetemperatur ved 10°C – 40°C. Lad altid en varm akku få tid til at køle af, inden den oplades.
- Oplad akkuen, hvis De ikke skal bruge den i længere tid (mere end seks måneder).

FUNKTIONSBESKRIVELSE

⚠ FORSIGTIG:

- Vær altid sikker på, at værktøjet er afbrudt og akkuen fjernet, inden De justerer eller kontrollerer funktionen af værktøjet.

Montering og afmontering af akkuen (Fig. 1)

⚠ FORSIGTIG:

- Sluk altid for værktøjet, inden De installerer eller fjerner akkuen.
- Hold godt fast i værktøjet og akkuen, når akkuen installeres eller fjernes. Forsømmelse af at holde maskinen og akkuen fast kan bevirke, at de glider af hænde med beskadigelse af maskinen og akkuen og tilskadekomst til følge.

For at fjerne akkuen, skal man skyde den fra værktøjet, idet man skyder knappen på forsiden af akkuen i stilling. For at installere akkuen, skal man sætte tungen på akkuen ud for rillen i huset og skyde den på plads. Sæt den hele vejen ind, så den låses på plads med et lille klik. Hvis den røde indikator på oversiden af knappen er synlig, betyder det, at den ikke er helt låst.

⚠ FORSIGTIG:

- Sæt altid akkuen helt ind, så den røde indikator ikke kan ses. Hvis den ikke er sat helt ind, kan den ved et uheld falde ud af værktøjet, hvorved omkringstående eller De selv kan komme til skade.
- Sæt ikke akkuen i med magt. Hvis akkuen ikke glider nemt på plads, betyder det, at den ikke sættes korrekt i.

Kontrol af den resterende batterikapacitet (BL1460A) (Fig. 2)

BEMÆRK:

- Afhængigt af brugsforholdene og den omgivende temperatur kan indikationen afvige en smule fra den faktiske ladning.

Under opladning

Når opladningen starter, begynder den første indikatorlampe (længst mod venstre) at blinke. Efterhånden som opladningen fortsætter, lyser de andre lamper derefter én efter én for at angive batterikapaciteten.

BEMÆRK:

- Hvis indikatorlampen ikke tændes eller blinker under opladningen, er batteriet muligvis defekt. Kontakt i så fald det lokale servicecenter.

Under brug

Når der tændes for maskinen, lyser lamperne for at vise den resterende batterikapacitet. Når der slukkes for maskinen, går lyset ud efter cirka 5 sekunder.

Hvis du trykker på kontrolknappen, mens der er slukket for maskinen, lyser indikatorlamperne i cirka 5 sekunder for at vise batterikapaciteten.

Hvis den orange lampe blinker, stopper maskinen på grund af lav resterende batterikapacitet (automatisk stopmekanisme). Oplad akkuen, eller brug en opladet akku på dette tidspunkt.

Hvis maskinen anvendes med et batteri, der ikke har været brugt i længere tid, og der tændes for den, lyser ingen af lamperne muligvis. Maskinen stopper på grund af lav resterende batterikapacitet på dette tidspunkt. Oplad batteriet korrekt.

Afbryderanvendelse (Fig. 3)

⚠ FORSIGTIG:

- Inden akkuen sættes i værktøjet, bør De altid kontrollere, at afbryderknappen fungerer korrekt og returnerer til "OFF"-positionen, når den slippes.

For at starte værktøjet, trykkes der blot på afbryderen. Slip afbryderen for at stoppe.

LED indikator / Bipper

LED indikator / Bipper på maskinen viser de følgende funktioner.

Funktion	Status	Status af LED indikator/bipper		Handling der skal udføres
		LED indikator	Bipper	
Automatisk stop af fastspænding	Denne funktion aktiveres, når maskinen har nået det forindstillede drejningsmoment og normal fastspænding er udført. Dette bidrager til at undgå overiskruling.	Lyser grønt i ca. et sekund.	—	—
Forsinket genstart	I ca. et sekund efter automatisk stop af fastspænding vil maskinen ikke starte, selv om der trykkes på afbryderknappen.			
Advarsel om utilstrækkelig fastspænding	Utilstrækkelig fastspænding blev udført, da afbryderknappen blev sluppet, før det forindstillede drejningsmoment blev opnået.	Lyser rødt.	Et langt bip	Spænd skruen til igen.
Advarsel om akkukapacitet	Denne angiver det passende tidspunkt for udskiftning af akkuen, når akkuens effekt er blevet lav.	Blinker langsomt rødt.	En række lange bip	Udskift akkuen med en fuldt opladet akku.
Kontrol af tilbageværende akkukapacitet, automatisk stop	Denne funktion aktiveres, når effekten er næsten opbrugt. På dette tidspunkt vil maskinen straks stoppe.	Lyser rødt.	Et langt bip	Udskift akkuen med en fuldt opladet akku.

Omløbsvælgerbetjening (Fig. 4)

⚠ FORSIGTIG:

- Kontroller altid omløbsretningen, inden arbejdet påbegyndes.
- Brug kun omløbsvælgeren, når maskinen er helt standset. Hvis omløbsretningen ændres, inden maskinen er helt standset, kan maskinen lide skade.
- Sæt altid omløbsvælgeren i neutral stilling, når maskinen ikke anvendes.

Denne maskine har en omløbsvælger til ændring af omløbsretningen. Tryk omløbsvælgeren ind fra A-siden for omdrejning med uret, og fra B-siden for omløb mod uret.

Når omløbsvælgeren er i den neutrale position, kan afbryderknappen ikke trykkes ind.

Tænding af lamperne (Fig. 5)

⚠ FORSIGTIG:

- Se ikke ind i lyset eller direkte ind i lyskilden.

For at tænde lampen, skal man trykke på afbryderknappen. Lampen bliver ved med at lyse, mens afbryderknappen er trykket ind. Lyset slukker automatisk 10 sekunder efter at afbryderknappen er sluppet.

BEMÆRK:

- Brug en tør klud til at tørre snavs af lampens linse. Vær påpasselig med ikke at ridse lampens linse, da dette kan gøre lyset svagere.

Funktion	Status	Status af LED indikator/bipper		Handling der skal udføres
		LED indikator	Bipper	
Kontroller funktionen af LED indikatoren, lampen og bipperen	Denne funktion kontrollerer, at LED indikatoren, lampen og bipperen fungerer korrekt, når en akku er sat i maskinen.	Lyser først grønt, derefter rødt. (Derefter tændes lampen.)	En række meget korte bip	—
Anti-nulstilling af kontrolanordning	Denne funktion aktiveres, når et unormalt fald i akkuspændingen af en eller anden grund indtræffer og maskinen stopper.	Blinker skiftevis rødt og grønt.	En række korte bip	Udskift akkuen med en fuldt opladet akku.
Overophedning	Denne funktion aktiveres, når kontrolanordningens temperatur stiger kraftigt, og maskinen stopper.	Blinker hurtigt rødt.	En række korte bip	Tag straks akkuen ud og lad maskinen køle af.
Betjeningsfejl med afbryderknappen	Denne funktion aktiveres for at forhindre, at maskinen starter i det øjeblik, hvor man sætter akkuen i maskinen, samtidigt med at man trykker på afbryderknappen.	Blinker skiftevis rødt og grønt.	En række korte bip	Slip afbryderknappen.
Advarsel om grænse for fastspændingskapaciteten	Maskinen stopper automatisk uden at koblingen er aktiveret, hvis grænsen for fastspændingskapaciteten overskrides.	Blinker skiftevis rødt og grønt.	En række korte bip	Tag akkuen ud og sæt den i igen. Sørg for at bruge maskinen med en belastning, der er inden for dens kapacitet.

013073

Justering af drejningsmomentet (Fig. 6 og 7)

Når De vil iskrue maskinskruer, træskruer, sekskantbolte etc. med et forindstillet drejningsmoment, indstilles drejningsmomentet som følger.

1. Tak først akkuen ud af maskinen.
2. Løsn de skruer, der fastholder lampedækslet.
3. Drej ringen forrest på maskinen med hånden, indtil der ses et hul under ringen.
4. Sæt akkuen i og tryk på afbryderknappen. Slip afbryderknappen, således at justeringsringen drejer og bliver synlig i hullet. Tag derefter akkuen ud.
5. Anvend et justeringshåndtag (ekstraudstyr) til at indstille drejningsmomentet. Sæt stiften på justeringshåndtaget ind i hullet forrest på maskinen. Drej derefter justeringshåndtaget med uret for at indstille et højere drejningsmoment og mod uret for at indstille et mindre drejningsmoment.
6. Sæt den gule linje ud for det ønskede tal på skalaen for drejningsmoment.
7. Sæt akkuen i, og benyt et kontrolinstrument til drejningsmoment til at sikre, at drejningsmomentet er korrekt indstillet.
8. Drej ringen foran på maskinen, og tilspænd derefter skruen for at fastgøre ringen.

BEMÆRK:

- Tallene på skalaen for drejningsmoment er ment som en vejledning til at indstille det ønskede drejningsmoment.

SAMLING

⚠ FORSIGTIG:

- Sørg altid for at værktøjet er slukket, og at akkuen er taget ud, før der udføres noget arbejde på værktøjet.

Valg af korrekt top eller skruebit

Der er to typer toppe eller bits for nogle modeller, afhængigt af anvendelsen. Vælg og monter en korrekt top eller bit til Deres anvendelse.

Montering og afmontering af top (Fig. 8)

Toppen monteres ved at man trykker den på maskinens firkantdrev med den ene hånd ved at trykke en stift på firkantdrevet ned med den anden hånd, indtil det låses på plads. Toppen afmonteres ved at man ganske enkelt trækker den af, mens man holder stiften på firkantdrevet inde.

Montering og afmontering af bit (Fig. 9)

For maskiner med teleskopmuffe

For at montere bitten, skal man trække muffen i pilens retning og sætte bitten så langt ind i ind i muffen som muligt. Slip derefter bitten for at fastgøre den. For at afmontere bitten, trækkes muffen i pilens retning, og bitten trækkes helt ud.

For maskiner uden teleskopmuffe

For at montere bitten, sættes bitten ganske enkelt helt ind i spindelen. Træk i bitten med fast hånd for at afmontere den.

BETJENING

Hold maskinen fast og sæt toppen over boltene eller møtrikken. Tænd derefter for maskinen. Motoren stopper automatisk, når koblingen slår til. Slip derefter afbryderknappen.

BEMÆRK:

- Hold maskinen, så firkantdrevet vender direkte mod boltene eller møtrikken. I modsat fald kan boltene eller møtrikken blive beskadiget.

Grænser for fastspændingskapacitet

Brug maskinen inden for et omdrejningsvinkelområde på op til 360°. Hvis den øvre grænse for dette område overskrides ved anvendelse af maskinen, vil koblingen ikke virke. Desuden vil maskinen ikke levere tiltrækkeligt drejningsmoment (LED indikatoren blinker skiftevis rødt og grønt).

BEMÆRK:

- Omdrejningsvinklen henviser til den vinkel, som en skrue/bolt drejer, når maskinen opnår 100% fra 50% af det ønskede drejningsmoment.
- Brug af en akku med en meget lav temperatur kan af og til udløse en advarsel om akkukapacitet gennem aktiveret advarselslampe og bilyd, hvilket får maskinen til at stoppe øjeblikkeligt. I dette tilfælde kan fastspændingskapaciteten blive mindre end angivet i specifikationerne i denne brugsvejledning, selv om der anvendes en opladet akku.

VEDLIGEHOLDELSE

⚠ FORSIGTIG:

- Kontroller altid, at værktøjet er slået fra og at akkuen er fjernet, inden De udfører inspektion eller vedligeholdelse.
- Anvend aldrig benzin, rensbenzin, fortynder, alkohol og lignende. Resultatet kan blive misfarvning, deformation eller revner.

Udskiftning af kulbørster (Fig. 10 og 11)

Tag kulbørsterne ud og efterse dem med jævn mellemrum. Skift dem ud, når de er slidt ned til grænsemærket. Hold kulbørsterne rene og i stand til frit at glide ind i holderne. Begge kulbørster skal udskiftes samtidigt. Anvend kun identiske kulbørster.

Benyt en skruetrækker til at afmontere kulbørsteholderdækslerne. Tag de slidte kulbørster ud, sæt de nye i, og fastgør derefter kulbørsteholderdækslerne.

For at opretholde produktets SIKKERHED og PÅLIDELIGHED bør reparation, vedligeholdelse og justering kun udføres af et Makita Service Center med anvendelse af original Makita udskiftningsdele.

EKSTRAUDSTYR

⚠ FORSIGTIG:

- Det følgende tilbehør og ekstraudstyr er anbefalet til brug med Deres Makita værktøjet, der er beskrevet i denne brugsanvisning. Anvendelse af andet tilbehør eller ekstraudstyr kan udgøre en risiko for personskade. Anvend kun tilbehør og ekstraudstyr til det beskrevne formål.

Hvis De har behov for yderligere detaljer om dette tilbehør, bedes De kontakte Deres lokale Makita Service Center.

- Beskytter
- Original Makita-akku og oplader
- Vinkelhovedsæt
- Justeringshåndtag
- Tilbehør til modvirkning af tilbageslag
- Spindelsamling

BEMÆRK:

- Nogle ting på denne liste kan være inkluderet i værktøjspakken som standardtilbehør. Det kan være forskelligt fra land til land.

Lyd

Det typiske A-vægtede støjniveau bestemt i overensstemmelse med EN62841:

Lydtrykniveau (L_{pA}): 70 dB (A) eller mindre
Usikkerhed (K): 3 dB (A)

Støjniveauet under arbejde kan overstige 80 dB (A).

ENG907-1

BEMÆRK:

- De(n) angivne støjemissionsværdi(er) er målt i overensstemmelse med en standardtestmetode og kan anvendes til at sammenligne en maskine med en anden.
- De(n) angivne støjemissionsværdi(er) kan også anvendes i en præliminær eksponeringsvurdering.

⚠ ADVARSEL:

- Bær høreværn.
- Støjemissionen under den faktiske anvendelse af maskinen kan være forskellig fra de(n) angivne værdi(er), afhængigt af den måde hvorpå maskinen anvendes, især den type arbejdsemne der behandles.
- Sørg for at identificere de sikkerhedsforskrifter til beskyttelse af operatøren, som er baseret på en vurdering af eksponering under de faktiske brugsforhold (med hensyntagen til alle dele i brugs cyklussen, f.eks. de gange, hvor maskinen er slukket, og når den kører i tomgang i tilgift til afbrydertiden).

ENG900-1

Vibration

Vibrations totalværdi (tre-aksial vektorsum) bestemt i overensstemmelse med EN62841:

Arbejdsindstilling: iskruning uden slag
Vibrationsafgivelse (a_{11}): 2,5 m/s² eller mindre
Usikkerhed (K): 1,5 m/s²

ENG901-2

BEMÆRK:

- De(n) angivne totalværdi(er) for vibration er målt i overensstemmelse med en standardtestmetode og kan anvendes til at sammenligne en maskine med en anden.
- De(n) angivne totalværdi(er) for vibration kan også anvendes i en præliminær eksponeringsvurdering.

⚠ ADVARSEL:

- Vibrationsemissionen under den faktiske anvendelse af maskinen kan være forskellig fra de(n) angivne værdi(er), afhængigt af den måde hvorpå maskinen anvendes, især den type arbejdsemne der behandles.
- Sørg for at identificere de sikkerhedsforskrifter til beskyttelse af operatøren, som er baseret på en vurdering af eksponering under de faktiske brugsforhold (med hensyntagen til alle dele i brugs cyklussen, f.eks. de gange, hvor maskinen er slukket, og når den kører i tomgang i tilgift til afbrydertiden).

EF-KONFORMITETSERKLÆRING

Kun for lande i Europa

EF-konformitetserklæringen er inkluderet som Tillæg A til denne instruktionsvejledning.

Περιγραφή γενικής άποψης

1 Κόκκινη ένδειξη	10 Προσαρμοστική λαβή	19 Οπή
2 Κουμπί	11 Δακτύλιος	20 Πείρος
3 Κασέτα μπαταρίας	12 Κεφαλή γωνίας	21 Αιχμή βιδώματος
4 Ενδεικτικές λυχνίες	13 Δακτύλιος ρύθμισης	22 Χιτώνιο
5 Κουμπί ελέγχου	14 Κλίμακα	23 Σημάδι ορίου
6 Σκανδάλη διακόπτης	15 Οπή για προσαρμοστική λαβή	24 Κατσαβίδι
7 Μοχλός διακόπτη αντιστροφής	16 Κίτρινη γραμμή	25 Καπάκι θήκης καρβουνακίου
8 Λυχνία	17 Ελατήριο συμπίεσης	
9 Ένδειξη LED	18 Υποδοχή	

ΤΕΧΝΙΚΑ ΧΑΡΑΚΤΗΡΙΣΤΙΚΑ

Μοντέλο	DFL061F	DFL082F	DFL122F	DFL202F	
Ροπή στερέωσης	Σκληρός σύνδεσμος	1,5 – 6 N·m	2 – 8 N·m	5 – 12 N·m	8 – 20 N·m
	Μαλακός σύνδεσμος	1,5 – 6 N·m	2 – 8 N·m	5 – 12 N·m	8 – 20 N·m
Κεφαλή βιδώματος γωνίας	9,5 χιλ τετράγωνο ή 6,35 χιλ εξαγωνικό				
Ταχύτητα χωρίς φορτίο (λεπ ⁻¹)	470	700	410	220	
Συνολικό μήκος (Ανάλογα με την μπαταρία)	405 – 422 χιλ				
Καθαρό βάρος	1,5 – 2,1 κιλά				
Ονομαστική τάση	D.C. 14,4 V				

- Λόγω του συνεχόμενου προγράμματος που εφαρμόζουμε για έρευνα και ανάπτυξη, τα τεχνικά χαρακτηριστικά στο παρόν έντυπο υπόκεινται σε αλλαγή χωρίς προειδοποίηση.
- Τα τεχνικά χαρακτηριστικά δύνανται να διαφέρουν από χώρα σε χώρα.
- Το βάρος μπορεί να διαφέρει ανάλογα με το(α) εξάρτημα(τα), συμπεριλαμβανομένης της κασέτας μπαταριών. Ο ελαφρύτερος και βαρύτερος συνδυασμός, σύμφωνα με τη διαδικασία EPTA 01/2014, παρουσιάζονται στον πίνακα.

Ισχύουσα κασέτα μπαταρίας και φορτιστής

Κασέτα μπαταρίας	BL1415N / BL1415NA / BL1430 / BL1430B / BL1440 / BL1450 / BL1460A / BL1460B
Φορτιστής	DC18RC / DC18RD / DC18RE / DC18SD / DC18SE / DC18SF

- Μερικές από τις κασέτες μπαταρίας και φορτιστές που παρατίθενται ανωτέρω μπορεί να μην διατίθενται ανάλογα με την περιοχή κατοικίας σας.

⚠️ ΠΡΟΕΙΔΟΠΟΙΗΣΗ: Να χρησιμοποιείτε μόνο τις κασέτες μπαταρίας και φορτιστές που παρατίθενται ανωτέρω. Η χρήση οποιωνδήποτε άλλων κασετών μπαταρίας και φορτιστών μπορεί να προκαλέσει τραυματισμό ή/και πυρκαγιά.

ENE033-1

Προοριζόμενη χρήση

Το εργαλείο προορίζεται για βίδωμα σε ξύλο, μέταλλο και πλαστικό.

GEA010-2

Γενικές προειδοποιήσεις ασφαλείας για το ηλεκτρικό εργαλείο

⚠️ ΠΡΟΕΙΔΟΠΟΙΗΣΗ Διαβάστε όλες τις προειδοποιήσεις ασφαλείας, οδηγίες, εικονογραφίες και προδιαγραφές που παρέχονται με αυτό το ηλεκτρικό εργαλείο. Η μη τήρηση όλων των οδηγιών που αναγράφονται κατωτέρω μπορεί να καταλήξει σε ηλεκτροπληξία, πυρκαγιά ή/και σοβαρό τραυματισμό.

Φυλάξτε όλες τις προειδοποιήσεις και τις οδηγίες για μελλοντική παραπομπή.

Στις προειδοποιήσεις, ο όρος «ηλεκτρικό εργαλείο» αναφέρεται σε ηλεκτρικό εργαλείο που τροφοδοτείται από την κύρια παροχή ηλεκτρικού ρεύματος (με ηλεκτρικό καλώδιο) ή σε ηλεκτρικό εργαλείο που τροφοδοτείται από μπαταρία (χωρίς ηλεκτρικό καλώδιο).

GEB139-1

ΠΡΟΕΙΔΟΠΟΙΗΣΕΙΣ ΑΣΦΑΛΕΙΑΣ ΓΙΑ ΤΟ ΑΣΥΡΜΑΤΟ ΚΑΤΣΑΒΙΔΙ

1. **Να κρατάτε το ηλεκτρικό εργαλείο από τις λαβές με μόνωση όταν εκτελείτε εργασίες κατά τις οποίες ο συνδετήρας μπορεί να έρθει σε επαφή με κρυμμένα καλώδια.** Αν ο συνδετήρας έρθει σε επαφή με κάποιο ηλεκτροφόρο καλώδιο, μπορεί τα εκτεθειμένα μεταλλικά μέρη του ηλεκτρικού εργαλείου να γίνουν κι αυτά ηλεκτροφόρα και να προκληθεί ηλεκτροπληξία στο χειριστή.

2. Να φροντίζετε πάντα να στέκεστε σταθερά. Βεβαιωθείτε ότι δεν υπάρχει άτομο ακριβώς από κάτω, όταν χρησιμοποιείτε το ηλεκτρικό εργαλείο σε υψηλά σημεία.
3. Να κρατάτε το εργαλείο σταθερά.
4. Να διατηρείτε τα χέρια σας μακριά από τα περιστρεφόμενα μέρη.
5. Μην αγγίζετε τη μύτη ή το τεμάχιο εργασίας αμέσως μετά τη λειτουργία του εργαλείου. Μπορεί να είναι εξαιρετικά θερμά και να προκληθεί έγκαιμα στο δέρμα σας.
6. Να ασφαρίζετε πάντα τα τεμάχια εργασίας σε μέγιστη ή παρόμοια διάταξη συγκράτησης.

ΦΥΛΑΞΤΕ ΤΙΣ ΟΔΗΓΙΕΣ ΑΥΤΕΣ.

⚠ ΠΡΟΕΙΔΟΠΟΙΗΣΗ:

ΜΗΝ επιτρέψετε στην άνεση ή στην εξοικειωσή σας με το προϊόν (που αποκτήθηκε από επαναλημμένη χρήση) να αντικαταστήσει την αυστηρή τήρηση των κανόνων ασφαλείας του παρόντος εργαλείου. Η ΛΑΝΘΑΣΜΕΝΗ ΧΡΗΣΗ ή η αμέλεια να ακολουθήσετε τους κανόνες ασφαλείας που διατυπώνονται στο παρόν εγχειρίδιο οδηγίων μπορεί να προκαλέσει σοβαρό προσωπικό τραυματισμό.

ENC007-12

ΣΗΜΑΝΤΙΚΕΣ ΟΔΗΓΙΕΣ ΑΣΦΑΛΕΙΑΣ ΓΙΑ ΚΑΣΕΤΑ ΜΠΑΤΑΡΙΩΝ

1. Πριν χρησιμοποιήσετε την κασέτα μπαταριών, διαβάστε όλες τις οδηγίες και σημειώσεις προφύλαξης (1) στον φορτιστή μπαταριών, (2) στην μπαταρία και (3) στο προϊόν που χρησιμοποιεί την μπαταρία.
2. Μην αποσυναρμολογήσετε την κασέτα μπαταριών.
3. Εάν ο χρόνος λειτουργίας έχει γίνει υπερβολικά βραχύς, σταματήστε τη λειτουργία αμέσως. Αλλιώς, μπορεί να έχει ως αποτέλεσμα κίνδυνο υπερθέρμανσης, πιθανά εγκαύματα ή ακόμη και έκρηξη.
4. Εάν ηλεκτρολύτης μπει στα μάτια σας, ξεπλύνετε τα με καθαρό νερό και ζητήστε ιατρική φροντίδα αμέσως. Αλλιώς, μπορεί να έχει ως αποτέλεσμα απώλεια της όρασης σας.
5. Μη βραχυκυκλώνετε την κασέτα μπαταριών:
 - (1) Μην αγγίζετε τους πόλους με οτιδήποτε αγώγιμο υλικό.
 - (2) Αποφεύγετε να αποθηκεύετε την κασέτα μπαταριών μέσα σε ένα δοχείο μαζί με άλλα μεταλλικά αντικείμενα όπως καρφιά, νομίσματα, κλπ.
 - (3) Μην εκθέτετε την κασέτα μπαταριών στο νερό ή στη βροχή.

Ένα βραχυκύκλωμα μπαταρίας μπορεί να προκαλέσει μεγάλη ροή ρεύματος, υπερθέρμανση, πιθανά εγκαύματα ακόμη και σοβαρή βλάβη.

6. Μην αποθηκεύετε το εργαλείο και την κασέτα μπαταριών σε τοποθεσίες όπου η θερμοκρασία μπορεί να φτάσει ή να ξεπεράσει τους 50°C.
7. Μην καίτε την κασέτα μπαταριών ακόμη και εάν έχει σοβαρή ζημιά ή είναι εντελώς φθαρμένη. Η κασέτα μπαταριών μπορεί να εκραγεί στη φωτιά.
8. Προσέχετε να μη ρίξετε κάτω ούτε να χτυπήσετε την μπαταρία.
9. Μη χρησιμοποιείτε μπαταρία που έχει υποστεί ζημιά.

10. Οι μπαταρίες ιόντων λιθίου που περιέχονται υπόκεινται στις απαιτήσεις της νομοθεσίας για επικίνδυνα αγαθά.

Για εμπορικές μεταφορές, για παράδειγμα από τρίτα μέρη, πρέπει να τηρούνται οι διαμεταφορείς, οι ειδικές απαιτήσεις στη συσκευασία και η επισήμανση.

Για προετοιμασία του στοιχείου που αποστέλλεται, είναι απαραίτητο να συμβουλευτείτε έναν ειδικό για επικίνδυνα υλικά. Επίσης, τηρήστε τους πιθανούς, πιο αναλυτικούς εθνικούς κανονισμούς.

Καλύψτε με αυτοκόλλητη ταινία ή κρύψτε τις ανοικτές επαφές και συσκευάστε την μπαταρία με τρόπο που να μην μπορεί να μετακινείται μέσα στη συσκευασία.

11. Τηρήστε τους τοπικούς κανονισμούς που σχετίζονται με τη διάθεση της μπαταρίας.
12. Χρησιμοποιήστε τις μπαταρίες μόνο με τα προϊόντα που καθορίζει η Makita. Αν τοποθετήσετε τις μπαταρίες σε μη συμβατά προϊόντα μπορεί να έχει ως αποτέλεσμα πυρκαγιά, υπερβολική θερμότητα, έκρηξη ή διαρροή ηλεκτρολύτη.

ΦΥΛΑΞΤΕ ΤΙΣ ΟΔΗΓΙΕΣ ΑΥΤΕΣ.

⚠ ΠΡΟΣΟΧΗ: Να χρησιμοποιείτε μόνο γνήσιες μπαταρίες της Makita.

Η χρήση μη γνήσιων μπαταριών Makita, ή μπαταριών που έχουν τροποποιηθεί, μπορεί να έχει ως αποτέλεσμα τη ρήξη της μπαταρίας, προκαλώντας πυρκαγιά, προσωπικό τραυματισμό και βλάβη. Επίσης, θα ακυρωθεί η εγγύηση της Makita για το εργαλείο και φορτιστή Makita.

Συμβουλές για τη διατήρηση της μέγιστης ζωής μπαταρίας

1. Φορτίζετε την κασέτα μπαταριών πριν από την πλήρη αποφόρτιση της. Πάντοτε να σταματάτε τη λειτουργία του εργαλείου και να φορτίζετε την κασέτα μπαταριών όταν παρατηρείτε μειωμένη ισχύ εργαλείου.
2. Ποτέ μην επαναφορτίζετε μια πλήρως φορτισμένη κασέτα μπαταριών. Η υπερφόρτιση μειώνει την ωφέλιμη ζωή της μπαταρίας.
3. Να φορτίζετε την κασέτα μπαταριών σε θερμοκρασία δωματίου, δηλαδή στους 10°C έως 40°C. Αφήστε μια θερμή κασέτα μπαταριών να κρυώσει πριν την φορτίσετε.
4. Να φορτίζετε την κασέτα μπαταριών εάν δεν τη χρησιμοποιείτε για μεγάλη χρονική περίοδο (περισσότερο από έξι μήνες).

ΠΕΡΙΓΡΑΦΗ ΛΕΙΤΟΥΡΓΙΑΣ

⚠ ΠΡΟΣΟΧΗ:

- Να φροντίζετε πάντα για την απενεργοποίηση του εργαλείου και την αφαίρεση της κασέτας μπαταρίας, πριν από οποιαδήποτε ρύθμιση ή έλεγχο της λειτουργίας του.

Τοποθέτηση ή αφαίρεση της κασέτας μπαταρίας (Εικ. 1)

⚠️ ΠΡΟΣΟΧΗ:

- Πάντοτε να σβήνετε το εργαλείο πριν τοποθετήσετε ή αφαιρέσετε την κασέτα μπαταρίας.
- **Κρατήστε το εργαλείο και την κασέτα μπαταρίας σταθερά κατά την τοποθέτηση ή αφαίρεση της κασέτας μπαταρίας.**
Αν δεν κρατάτε το εργαλείο και την κασέτα μπαταρίας σταθερά μπορεί γλιστρήσουν από τα χέρια σας και να προκληθεί βλάβη στο εργαλείο και την κασέτα μπαταρίας και προσωπικός τραυματισμός.

Για να αφαιρέσετε την κασέτα μπαταρίας, ολισθήστε την από το εργαλείο ενώ σύρετε το κουμπί στο μπροστινό μέρος της κασέτας.

Για να τοποθετήσετε την κασέτα μπαταρίας, ευθυγραμμίστε τη γλώσσα στην κασέτα μπαταρίας με την αύλακα στην υποδοχή και ολισθήστε τη στη θέση της. Να την τοποθετείτε πλήρως μέχρι να ασφαλίσει στη θέση της, γεγονός που υποδεικνύεται με ένα χαρακτηριστικό ήχο. Αν μπορείτε να δείτε την κόκκινη ένδειξη στην επάνω πλευρά του κουμπιού, δεν έχει κλειδώσει τελείως.

⚠️ ΠΡΟΣΟΧΗ:

- Να τοποθετείτε πάντα την κασέτα μπαταρίας πλήρως μέχρι να μην βλέπετε την κόκκινη ένδειξη. Σε αντίθετη περίπτωση, μπορεί να πέσει κατά λάθος από το εργαλείο και να τραυματίσει εσάς ή κάποιον παρευρισκόμενο.
- Μην τοποθετείτε την κασέτα μπαταρίας με βία. Αν η κασέτα δεν εισέρχεται με ευκολία, δεν είναι τοποθετημένη σωστά.

Έλεγχος της υπόλοιπης χωρητικότητας μπαταρίας (BL1460A) (Εικ. 2)

ΠΑΡΑΤΗΡΗΣΗ:

- Ανάλογα με τις συνθήκες χρήσης και τη θερμοκρασία περιβάλλοντος, η ένδειξη μπορεί να διαφέρει λίγο από την πραγματική χωρητικότητα.

Κατά τη φόρτιση

Όταν αρχίζει η φόρτιση, αρχίζει να αναβοσβήνει η πρώτη (τέρμα αριστερά) ενδεικτική λυχνία. Κατόπιν, καθώς προχωράει η φόρτιση, ανάβουν οι άλλες λυχνίες, η μία μετά την άλλη, για να υποδείξουν τη χωρητικότητα της μπαταρίας.

ΠΑΡΑΤΗΡΗΣΗ:

- Αν η ενδεικτική λυχνία δεν ανάψει ή αναβοσβήνει κατά τη φόρτιση, η μπαταρία μπορεί να είναι ελαττωματική. Σε αυτή την περίπτωση, απευθυνθείτε στο τοπικό σας κέντρο εξυπηρέτησης.

Κατά τη χρήση

Όταν ανάψετε το εργαλείο, θα ανάβουν οι λυχνίες για να υποδείξουν την υπόλοιπη χωρητικότητα μπαταρίας. Όταν σβήσετε το εργαλείο, σβήνει το φως μετά από περίπου 5 δευτερόλεπτα.

Όταν πατάτε το κουμπί ελέγχου με το εργαλείο απενεργοποιημένο, οι ενδεικτικές λυχνίες ανάβουν για περίπου 5 δευτερόλεπτα για να εμφανίσουν τη χωρητικότητα της μπαταρίας.

Αν η πορτοκαλί λυχνία αναβοσβήνει, το εργαλείο σταματάει επειδή η υπόλοιπη χωρητικότητα μπαταρίας είναι χαμηλή (μηχανισμός αυτόματου σταματήματος). Φορτίστε την κασέτα μπαταρίας ή χρησιμοποιήστε μια φορτισμένη κασέτα μπαταρίας τώρα.

Όταν το εργαλείο χρησιμοποιείται με μπαταρία που δεν έχει χρησιμοποιηθεί για πολύ καιρό και το ενεργοποιήσετε, μπορεί να μην ανάψει καθόλου καμία λυχνία. Το εργαλείο σταματάει επειδή, τη συγκεκριμένη στιγμή, η υπόλοιπη χωρητικότητα της μπαταρίας είναι χαμηλή. Φορτίστε την μπαταρία σωστά.

Δράση διακόπτη (Εικ. 3)

⚠️ ΠΡΟΣΟΧΗ:

- Πριν βγάτε την κασέτα μπαταρίας μέσα στο εργαλείο, να ελέγχετε πάντα να δείτε εάν η σκανδάλη διακόπτης ενεργοποιείται κανονικά και επιστρέφει στη θέση "OFF" όταν ελευθερώνεται.

Για να ξεκινήσετε το εργαλείο, απλώς τραβήξτε τη σκανδάλη διακόπτη. Ελευθερώστε την σκανδάλη διακόπτη για να σταματήσει.

Λειτουργία διακόπτη αντιστροφής (Εικ. 4)

⚠️ ΠΡΟΣΟΧΗ:

- Να ελέγχετε πάντα τη διεύθυνση περιστροφής πριν από τη λειτουργία.
- Χρησιμοποιείτε το διακόπτη αντιστροφής μόνο αφού το εργαλείο σταματήσει εντελώς. Η αλλαγή της διεύθυνσης περιστροφής πριν το εργαλείο σταματήσει μπορεί να προκαλέσει ζημιά στο εργαλείο.
- Όταν δεν χρησιμοποιείτε το εργαλείο, να βάζετε πάντα το μοχλό διακόπτη αντιστροφής στην ουδέτερη θέση.

Αυτό το εργαλείο έχει ένα διακόπτη αντιστροφής για να αλλάζει τη διεύθυνση περιστροφής. Πιέστε το μοχλό διακόπτη αντιστροφής από την πλευρά Α για δεξιόστροφη περιστροφή ή από την πλευρά Β για αριστερόστροφη περιστροφή.

Όταν ο μοχλός του διακόπτη αντιστροφής είναι στην ουδέτερη θέση, η σκανδάλη-διακόπτης δεν μπορεί να τραβηχτεί.

Άναμμα λαμπών (Εικ. 5)

⚠️ ΠΡΟΣΟΧΗ:

- Μην κοιτάξετε το φως και μην βλέπετε την πηγή φωτός απευθείας.

Τραβήξτε τη σκανδάλη διακόπτη για να ενεργοποιήσετε τη λυχνία. Η λυχνία εξακολουθεί να είναι αναμμένη όσο τραβάτε τη σκανδάλη διακόπτη. Το λαμπάκι σβήνει αυτόματα 10 δευτερόλεπτα αφού αφήσετε τη σκανδάλη-διακόπτη.

ΠΑΡΑΤΗΡΗΣΗ:

- Χρησιμοποιήστε ένα στεγνό πανί για να σκουπίσετε τη σκόνη από το φακό της λυχνίας. Προσέχετε να μη γρατσουνίσετε το φακό της λυχνίας, επειδή μπορεί να μειωθεί η ένταση του φωτισμού.

Ένδειξη LED / Βομβητής

Η ένδειξη LED / βομβητής στο εργαλείο υποδεικνύει τις ακόλουθες λειτουργίες.

Λειτουργία	Κατάσταση	Κατάσταση της ένδειξης LED/βομβητή		Απαιτούμενη ενέργεια
		Ένδειξη LED	Βομβητής	
Στερέωση αυτόματης διακοπής	Αυτή η λειτουργία ενεργοποιείται όταν το εργαλείο έχει φτάσει την προρυθμισμένη ροπή στερέωσης και η κανονική σύσφιξη έχει συμπληρωθεί. Αυτό βοηθάει να αποφεύγεται η υπερβολική σύσφιξη.	Φωτίζεται με πράσινο χρώμα για περίπου ένα δευτερόλεπτο.	—	—
Καθυστέρηση επανεκκίνησης	Για περίπου ένα δευτερόλεπτο μετά τη στερέωση αυτόματης διακοπής, το εργαλείο δεν ξεκινάει ακόμη και εάν τραβηχτεί η σκανδάλη-διακόπτης.			
Προειδοποίηση για ανεπαρκή στερέωση	Έχει γίνει ανεπαρκής στερέωση όταν η σκανδάλη-διακόπτης ελευθερώθηκε πριν φτάσει στην προρυθμισμένη ροπή στερέωσης.	Φωτίζεται με κόκκινο χρώμα.	Ένα παρατεταμένο μπιπ	Σφίξτε ξανά τη βίδα.
Προειδοποίηση για χωρητικότητα κασέτας μπαταρίας	Αυτό υποδεικνύει τον κατάλληλο χρόνο για να αντικαταστήσετε την κασέτα μπαταρίας όταν η ισχύς μπαταρίας έχει πέσει χαμηλά.	Αναβοσβήνει αργά με κόκκινο χρώμα.	Μια σειρά παρατεταμένων μπιπ	Αντικαταστήστε την μπαταρία με μια πλήρως φορτισμένη.
Έλεγχος της υπόλοιπης χωρητικότητας της μπαταρίας, Αυτόματη διακοπή	Αυτή η λειτουργία ενεργοποιείται όταν η ισχύς της μπαταρίας είναι σχεδόν εξαντλημένη. Αυτή τη φορά, το εργαλείο σταματά αμέσως.	Φωτίζεται με κόκκινο χρώμα.	Ένα παρατεταμένο μπιπ	Αντικαταστήστε την μπαταρία με μια πλήρως φορτισμένη.
Έλεγχος της ένδειξης LED, της λάμπας και της λειτουργίας βομβητή	Αυτή η λειτουργία ενεργοποιείται για να ελέγξει τη σωστή λειτουργία της ένδειξης LED, της λάμπας και του βομβητή όταν μια κασέτα μπαταρίας έχει εισαχθεί στο εργαλείο.	Ανάβει πρώτα με πράσινο χρώμα και μετά με κόκκινο χρώμα. (Και μετά ανάβει το λαμπάκι.)	Μια σειρά από πολύ σύντομα μπιπ	—
Αντι-επαναρύθμιση του ελεγκτή	Αυτή η λειτουργία ενεργοποιείται όταν, για κάποιο λόγο, συμβεί μια απότομη πτώση της τάσης της μπαταρίας και το εργαλείο σταματάει.	Αναβοσβήνει εναλλακτικά με πράσινο και κόκκινο χρώμα.	Μια σειρά σύντομων μπιπ	Αντικαταστήστε την μπαταρία με μια πλήρως φορτισμένη.
Υπερθέρμανση	Αυτή η λειτουργία ενεργοποιείται όταν η θερμοκρασία του ελεγκτή ανεβαίνει πολύ ψηλά και το εργαλείο σταματά.	Αναβοσβήνει γρήγορα με κόκκινο χρώμα.	Μια σειρά σύντομων μπιπ	Αφαιρέστε την κασέτα μπαταρίας αμέσως και ψύξτε το εργαλείο.
Σφάλμα λειτουργίας της σκανδάλης-διακόπτη	Αυτή η λειτουργία ενεργοποιείται για να αποφευχθεί η άμεση εκκίνηση του εργαλείου με την εισαγωγή της κασέτας μπαταρίας στο εργαλείο όταν είναι τραβηγμένη η σκανδάλη-διακόπτης.	Αναβοσβήνει εναλλακτικά με πράσινο και κόκκινο χρώμα.	Μια σειρά σύντομων μπιπ	Ελευθερώστε τη σκανδάλη-διακόπτη.
Προειδοποίηση για όριο της ικανότητας στερέωσης	Το εργαλείο σταματάει αυτόματα χωρίς να λειτουργεί ο συμπλέκτης όταν γίνει υπέρβαση του ορίου της ικανότητας στερέωσης.	Αναβοσβήνει εναλλακτικά με πράσινο και κόκκινο χρώμα.	Μια σειρά σύντομων μπιπ	Αφαιρέστε την κασέτα μπαταρίας και μετά τοποθετήστε την ξανά. Βεβαιωθείτε να χρησιμοποιείτε το εργαλείο με φορτίο εντός της ικανότητάς του.

Ρύθμιση της ροπής στερέωσης (Εικ. 6 και 7)

Όταν επιθυμείτε να βιδώσετε μηχανόβιδες, ξυλόβιδες, εξαγωνικά μπουλόνια, κτλ. με την προκαθορισμένη ροπή, ρυθμίστε τη ροπή στερέωσης όπως ακολουθεί.

1. Πρώτα αφαιρέστε την κασέτα μπαταρίας από το εργαλείο.
2. Χαλαρώστε τις βίδες που στερεώνουν το κάλυμμα λάμπας.
3. Περιστρέψτε το δακτύλιο στο εμπρόσθιο μέρος του εργαλείου με το χέρι ώστε να δείτε μια οπή κάτω από το δακτύλιο.
4. Τοποθετήστε την κασέτα μπαταρίας στη θέση της και τραβήξτε τη σκανδάλη-διακόπτη. Απελευθερώστε την ώστε ο δακτύλιος ρύθμισης να περιστρέφεται και να γίνεται ορατός στην οπή. Μετά αφαιρέστε την κασέτα μπαταρίας.
5. Χρησιμοποιήστε μια προαιρετική προσαρμοστική λαβή για να ρυθμίσετε τη ροπή στερέωσης. Εισαγάγετε τον πείρο της προσαρμοστικής λαβής στην οπή στο εμπρόσθιο μέρος του εργαλείου. Στη συνέχεια, περιστρέψτε την προσαρμοστική λαβή δεξιόστροφα για να ρυθμίσετε μεγαλύτερη ροπή στερέωσης και αριστερόστροφα για να ρυθμίσετε σε μικρότερη ροπή στερέωσης.
6. Ευθυγραμμίστε την κίτρινη γραμμή με τη επιθυμητή ένδειξη στην κλίμακα ροπής σύσφιξης.
7. Εισαγάγετε την κασέτα μπαταρίας και βεβαιωθείτε ότι έχει ρυθμιστεί μια ροπή στερέωσης χρησιμοποιώντας ένα μετρητή ροπής στερέωσης.
8. Περιστρέψτε το δακτύλιο μπροστά από το εργαλείο και μετά σφίξτε τη βίδα για να ασφαλίσετε το δακτύλιο.

ΠΑΡΑΤΗΡΗΣΗ:

- Οι αριθμοί στην κλίμακα της ροπής στερέωσης είναι ένας οδηγός για να ρυθμίσετε την επιθυμητή σας ροπή στερέωσης.

ΣΥΝΑΡΜΟΛΟΓΗΣΗ

⚠ ΠΡΟΣΟΧΗ:

- Πάντοτε βεβαιώνετε ότι το εργαλείο είναι σβηστό και η κασέτα μπαταρίας έχει αφαιρεθεί πριν εκτελέσετε κάποια εργασία στο εργαλείο.

Επιλογή της σωστής υποδοχής ή αιχμής βιδώματος

Υπάρχουν διαφορετικοί τύποι υποδοχών ή αιχμών για μερικά μοντέλα ανάλογα με τις εφαρμογές. Επιλέξτε και τοποθετήστε μια σωστή υποδοχή ή αιχμή για την εφαρμογή σας.

Τοποθέτηση ή αφαίρεση υποδοχής (Εικ. 8)

Για να τοποθετήσετε την υποδοχή, στρώστε τη στον τετράγωνο οδηγό του εργαλείου με το ένα χέρι πιέζοντας τον πείρο στον τετράγωνο οδηγό με το άλλο χέρι μέχρι να ασφαλίσει στη θέση της. Για να αφαιρέσετε την υποδοχή, απλώς τραβήξτε την έξω πιέζοντας τον πείρο στον τετράγωνο οδηγό.

Τοποθέτηση ή αφαίρεση αιχμής (Εικ. 9)

Για εργαλεία με αποσυρόμενο μανίκι

Για να τοποθετήσετε τη μύτη, τραβήξτε το χιτώνιο προς την κατεύθυνση του βέλους και εισαγάγετε τη μύτη στο χιτώνιο ωθώντας την πλήρως μέσα. Στη συνέχεια, ελευθερώστε το χιτώνιο ώστε να ασφαλιστεί η μύτη. Για να βγάλετε την αιχμή, τραβήξτε το μανίκι προς την κατεύθυνση του βέλους και τραβήξτε σταθερά την αιχμή προς τα έξω.

Για εργαλεία χωρίς αποσυρόμενο μανίκι

Για να τοποθετήσετε την αιχμή, απλώς βάλτε την αιχμή μέσα στον άξονα μέχρι τέμα. Για να αφαιρέσετε την αιχμή, τραβήξτε την αιχμή έξω σταθερά.

ΛΕΙΤΟΥΡΓΙΑ

Κρατάτε το εργαλείο σταθερά και τοποθετήστε την υποδοχή επάνω στο μπουλόνι ή στο παξιμάδι. Μετά ενεργοποιήστε το εργαλείο. Όταν ο συμπλέκτης εμπλακεί, ο κινητήρας θα σταματήσει αυτόματα. Στη συνέχεια ελευθερώστε τη σκανδάλη-διακόπτη.

ΠΑΡΑΤΗΡΗΣΗ:

- Κρατάτε το εργαλείο με τον τετράγωνο οδηγό στραμμένο ευθεία προς το μπουλόνι ή το παξιμάδι, διαφορετικά το μπουλόνι ή το παξιμάδι θα υποστεί ζημιά.

Όρια ικανότητας στερέωσης

Χρησιμοποιήστε το εργαλείο εντός του εύρους της γωνίας περιστροφής έως 360°. Εάν χρησιμοποιήσετε το εργαλείο πέρα από το άνω όριο αυτού του εύρους, ο συμπλέκτης δεν θα λειτουργεί. Επίσης, το εργαλείο δεν θα μπορεί να αποδώσει αρκετή ροπή στερέωσης (η ένδειξη LED αναβοσβήνει με κόκκινο και πράσινο χρώμα εναλλάξ).

ΠΑΡΑΤΗΡΗΣΗ:

- Η γωνία περιστροφής είναι η γωνία την οποία μια βίδα/μπουλόνι διαγράφει όταν το εργαλείο φθάνει στο 100% από το 50% της επιθυμητής ροπής.
- Η χρήση μιας κασέτας μπαταρίας ευρισκόμενης σε χαμηλή θερμοκρασία μπορεί κυρίως κατά φορά να ενεργοποιήσει το λαμπάκι προειδοποίησης και το βομβητή για ανεπάρκεια χωρητικότητας μπαταρίας που αναγκάζουν το εργαλείο να σταματήσει άμεσα. Στην περίπτωση αυτή, η ικανότητα στερέωσης μπορεί να είναι κατώτερη από την προδιαγραφή στο παρόν εγχειρίδιο ακόμη και αν χρησιμοποιηθεί φορτισμένη κασέτα μπαταρίας.

ΣΥΝΤΗΡΗΣΗ

⚠ ΠΡΟΣΟΧΗ:

- Να φροντίζετε πάντα για την απενεργοποίηση του εργαλείου και την αφαίρεση της κασέτας μπαταρίας πριν επιχειρήσετε οποιονδήποτε έλεγχο ή συντήρηση του εργαλείου.
- Μην χρησιμοποιείτε ποτέ βενζίνη, πετρελαϊκό αιθέρα, διαλυτικό, αλκοόλη ή παρόμοιες ουσίες. Ενδέχεται να προκληθεί αποχρωματισμός παραμόρφωση ή ρωγμές.

Αντικατάσταση καρβουνακίων (Εικ. 10 και 11)

Αφαιρείτε και ελέγχετε τα καρβουνάκια τακτικά. Αντικαθιστάτε όταν φθαρούν μέχρι το σημάδι ορίου. Διατηρείτε τα καρβουνάκια καθαρά και ελεύθερα να γλιστρούν στις θήκες. Και τα δύο καρβουνάκια πρέπει να αντικαθίστανται ταυτόχρονα. Χρησιμοποιείτε μόνο καρβουνάκια ίδιου τύπου.

Χρησιμοποιήστε ένα κατσαβίδι για να αφαιρέσετε τα καπάκια των θηκών καρβουνακίων. Βγάλετε τα φθαρμένα καρβουνάκια, τοποθετήστε τα νέα και ασφαλίστε τα καπάκια των θηκών καρβουνακίων.

Για την διατήρηση της ΑΣΦΑΛΕΙΑΣ και ΑΞΙΟΠΙΣΤΙΑΣ του προϊόντος, επισκευές, οποιαδήποτε άλλη συντήρηση ή ρύθμιση πρέπει να εκτελούνται από τα Εξουσιοδοτημένα Κέντρα Εξυπηρέτησης της Makita, με χρήση πάντοτε ανταλλακτικών Makita.

⚠ ΠΡΟΣΟΧΗ:

- Αυτά τα ανταλλακτικά ή προσαρτήματα συνιστώνται για χρήση με το εργαλείο σας της Makita που περιγράφεται στο εγχειρίδιο αυτό. Η χρήση οτιδήποτε άλλων ανταλλακτικών ή προσαρτημάτων μπορεί να παρουσιάσουν κίνδυνο τραυματισμού σε άτομα. Χρησιμοποιήστε ανταλλακτικά ή προσαρτήματα μόνο για τον καθορισμένο σκοπό.

Εάν χρειάζεστε βοήθεια ή περισσότερες λεπτομέρειες σε σχέση με αυτά τα ανταλλακτικά, ρωτήστε το τοπικό σας Κέντρο Εξυπηρέτησης της Makita.

- Προστατευτικό
- Γνήσια μπαταρία και φορτιστής της Makita
- Σετ κεφαλής γωνιάς
- Προσαρμοστική λαβή
- Διάταξη αποφυγής κλοστήματος
- Πλήρης άτρακτος

ΠΑΡΑΤΗΡΗΣΗ:

- Μερικά στοιχεία στη λίστα μπορεί να συμπεριλαμβάνονται στη συσκευασία εργαλείου ως στάνταρ εξαρτήματα. Μπορεί να διαφέρουν ανάλογα με τη χώρα.

ENG905-1

Θορύβος

Το τυπικό Α επίπεδο μετρημένου θορύβου καθορίζεται σύμφωνα με το EN62841:

Στάθμη πίεσης ήχου (L_{pA}): 70 dB (A) ή λιγότερο
Αβεβαιότητα (K): 3 dB (A)

Το επίπεδο θορύβου κατά την εργασία ενδέχεται να υπερβεί τα 80 dB (A).

ENG907-1

ΠΑΡΑΤΗΡΗΣΗ:

- Η δηλωμένη τιμή(ές) εκπομπής θορύβου έχει μετρηθεί σύμφωνα με την πρότυπη μέθοδο δοκιμής και μπορεί να χρησιμοποιηθεί για τη σύγκριση ενός εργαλείου με κάποιο άλλο.
- Η δηλωμένη τιμή(ές) εκπομπής θορύβου μπορεί να χρησιμοποιηθεί και στην προκαταρκτική αξιολόγηση της έκθεσης.

⚠ ΠΡΟΕΙΔΟΠΟΙΗΣΗ:

- **Να φοράτε ωτοασπίδες.**
- Η εκπομπή θορύβου κατά τη χρήση του ηλεκτρικού εργαλείου σε πραγματικές συνθήκες μπορεί να διαφέρει από τη δηλωμένη τιμή(ές) ανάλογα με τους τρόπους χρήσης του εργαλείου, ιδιαίτερα το είδος του τεμαχίου εργασίας που υπόκειται επεξεργασία.
- Φροντίστε να λάβετε τα κατάλληλα μέτρα προστασίας του χειριστή βάσει ενός υπολογισμού της έκθεσης σε πραγματικές συνθήκες χρήσης (λαμβάνοντας υπόψη όλες τις συνιστώσες του κύκλου λειτουργίας όπως τους χρόνους που το εργαλείο είναι εκτός λειτουργίας και όταν βρίσκεται σε αδρανή λειτουργία πέραν του χρόνου ενεργοποίησης).

ENG900-1

Κραδασμός

Η ολική τιμή δόνησης (άθροισμα τρι-αξονικού διανύσματος) καθορίζεται σύμφωνα με το EN62841:

Είδος εργασίας: βίδωμα χωρίς κρούση
Εκπομπή δόνησης (a_h): 2,5 m/s² ή λιγότερο
Αβεβαιότητα (K): 1.5 m/s²

ΠΑΡΑΤΗΡΗΣΗ:

- Η δηλωμένη τιμή(ές) συνολικών κραδασμών έχει μετρηθεί σύμφωνα με την πρότυπη μέθοδο δοκιμής και μπορεί να χρησιμοποιηθεί για τη σύγκριση ενός εργαλείου με κάποιο άλλο.
- Η δηλωμένη τιμή(ές) συνολικών κραδασμών μπορεί να χρησιμοποιηθεί και στην προκαταρκτική αξιολόγηση της έκθεσης.

⚠ ΠΡΟΕΙΔΟΠΟΙΗΣΗ:

- Η εκπομπή κραδασμών κατά τη χρήση του ηλεκτρικού εργαλείου σε πραγματικές συνθήκες μπορεί να διαφέρει από τη δηλωμένη τιμή(ές) εκπομπής ανάλογα με τους τρόπους χρήσης του εργαλείου, ιδιαίτερα το είδος του τεμαχίου εργασίας που υπόκειται επεξεργασία.
- Φροντίστε να λάβετε τα κατάλληλα μέτρα προστασίας του χειριστή βάσει ενός υπολογισμού της έκθεσης σε πραγματικές συνθήκες χρήσης (λαμβάνοντας υπόψη όλες τις συνιστώσες του κύκλου λειτουργίας όπως τους χρόνους που το εργαλείο είναι εκτός λειτουργίας και όταν βρίσκεται σε αδρανή λειτουργία πέραν του χρόνου ενεργοποίησης).

ΔΗΛΩΣΗ ΣΥΜΜΟΡΦΩΣΗΣ ΕΚ

Για τις ευρωπαϊκές χώρες μόνο

Η δήλωση συμμόρφωσης ΕΚ περιλαμβάνεται ως Παράρτημα Α σε αυτό το εγχειρίδιο οδηγιών.

Genel görünüşün açıklanması

1 Kırmızı gösterge	10 Ayar tutamağı	19 Delik
2 Düğme	11 Bilezik	20 Pim
3 Batarya kartuşu	12 Açılı kafa	21 Vida ucu
4 Gösterge lambaları	13 Ayarlama halkası	22 Kovan
5 Kontrol düğmesi	14 Ölçek	23 Limit işareti
6 Anahtar tetik	15 Ayar tutamağı için delik	24 Tornavida
7 Ters dönüş mandalı	16 Sarı çizgi	25 Firça yuvası kapağı
8 Lamba	17 Baskı yayı	
9 LED göstergesi	18 Lokma	

ÖZELLİKLER

Model	DFL061F	DFL082F	DFL122F	DFL202F	
Sıkma torku	Sert mafsallı	1,5 – 6 N·m	2 – 8 N·m	5 – 12 N·m	8 – 20 N·m
	Yumuşak mafsallı	1,5 – 6 N·m	2 – 8 N·m	5 – 12 N·m	8 – 20 N·m
Açılı tornavida kafası	9,5 mm kare veya 6,35 mm heks				
Yüksüz hız (dak ⁻¹)	470	700	410	220	
Tam uzunluk (Bataryaya bağlı)	405 – 422 mm				
Net ağırlık	1,5 – 2,1 kg				
Anma voltajı	D.C. 14,4 V				

- Sürekli yapılan araştırma ve geliştirmelerden dolayı, burada belirtilen özellikler önceden bildirilmeksizin değiştirilebilir.
- Özellikler ülkeden ülkeye değişebilir.
- Ağırlık, batarya kartuşu dahil aksesuar(lar)a bağlı olarak değişebilir. EPTA-Prosedürü 01/2014 uyarınca, en hafif ve en ağır kombinasyonlar tabloda verilmiştir.

Uygun batarya kartuşu ve şarj aleti

Batarya kartuşu	BL1415N / BL1415NA / BL1430 / BL1430B / BL1440 / BL1450 / BL1460A / BL1460B
Şarj aleti	DC18RC / DC18RD / DC18RE / DC18SD / DC18SE / DC18SF

- İkamet ettiğiniz bölgeye göre, yukarıda listelenen batarya kartuşlarının ve şarj aletlerinin bazıları mevcut olmayabilir.
- ⚠ **UYARI: Sadece yukarıda listelenen batarya kartuşlarını ve şarj aletlerini kullanın.** Başka batarya kartuşlarının ve şarj aletlerinin kullanılması yaralanmaya ve/veya yangına yol açabilir.

ENE033-1

GEB139-1

Kullanım amacı

Bu alet ahşap, metal ve plastik malzemede vidalama işlemleri için kullanılması amaçlanmıştır.

GEA010-2

Genel elektrikli alet güvenliği uyarıları

⚠ **UYARI! Bu elektrikli aletle birlikte sunulan tüm güvenlik uyarılarını, talimatları, çizimleri ve teknik özellikleri okuyun.** Aşağıda verilen talimatlara uyulmaması elektrik şoku, yangın ve/veya ciddi yaralanmalar ile sonuçlanabilir.

Tüm uyarıları ve talimatları ilerde başvurmak için saklayın.

Uyarılardaki "elektrikli alet" terimi ile ya prizden çalışan (kordonlu) elektrikli aletiniz ya da kendi aküsü ile çalışan (kordonsuz) elektrikli aletiniz kastedilmektedir.

AKÜLÜ TORNAVIDA GÜVENLİK UYARILARI

1. **Tespit elemanının görünmeyen kablolarla temas etme olasılığı bulunan yerlerde çalışırken elektrikli aleti yalıtımlı kavrama yüzeylerinden tutun.** Tespit elemanlarının "akımlı" bir tele temas etmesi, elektrikli aletin yalıtımsız metal kısımlarını "akımlı" hale getirebilir ve kullanıcıyı elektrik şokuna maruz bırakabilir.
2. **Her zaman yere sağlam basın.** **Aleti yüksekte kullandığınızda, altında kimsenin olmadığından emin olun.**
3. **Aleti sıkıca tutun.**
4. **Ellerinizi dönen parçalardan uzak tutun.**
5. **Kullanılan ucu veya iş parçasını işlemiden hemen sonra ellemeyin; bunlar çok sıcak olup derinizi yakabilir.**
6. **İş parçalarını daima bir mengene ya da benzer sıkıştırma aygıtlarıyla sabitleyin.**

BU TALİMATLARI SAKLAYIN.

⚠ UYARI:

Ürünü kullanırken (defalarca kullanınca kazanılan) rahatlık ve tanıdıklık duygusunun ilgili ürünün güvenlik kurallarına sıkı sıkıya bağlı kalmanın yerine geçmesine İZİN VERMEYİN.
YANLIŞ KULLANIM veya bu kullanma kılavuzunda belirtilen emniyet kurallarına uymama ciddi yaralanmaya neden olabilir.

ENC007-12

BATARYA KARTUŞU HAKKINDA ÖNEMLİ GÜVENLİK TALİMATLARI

1. Batarya kartuşunu kullanmadan önce, tüm talimatları ve (1) batarya kartuşu, (2) batarya ve (3) ürün üzerindeki tüm uyarı işaretlerini okuyun.
2. Batarya kartuşunu demonte etmeyin.
3. Çalışma süresi aşırı derecede kısalmışsa kullanmayı derhal bırakın. Aşırı ısınma, yanma riski hatta patlamaya neden olabilir.
4. Gözünüze elektrolit kaçarsa, gözlerinizi temiz suyla durulayın ve hemen tıbbi yardım alın. Görme kaybına yol açabilir.
5. Batarya kartuşuna kısa devre yaptırmayın:
 - (1) Terminallere herhangi bir iletken madde değiştirmeyin.
 - (2) Batarya kartuşunu çiviler, madeni paralar, vb. gibi başka metal nesnelere aynı kaba koymaktan kaçının.
 - (3) Batarya kartuşunu yağmura ya da suya maruz bırakmayın.

Kısa devre, büyük bir akım akışına, aşırı ısınmaya, olası yanıklara hatta bataryanın bozulmasına yol açabilir.

6. Aleti ve batarya kartuşunu sıcaklığın 50°C ya da daha yükseğe ulaştığı yerlerde saklamayın.
7. Aşırı derecede hasar görmüş ya da tamamen kullanılamaz durumda olsa bile batarya kartuşunu yakmayın. Batarya kartuşu ateşe atılırsa patlayabilir.
8. Bataryayı düşürmemeye ve çarpmamaya dikkat edin.
9. Hasarlı bataryayı kullanmayın.
10. Aletin içerdği lityum-iyon bataryalar Tehlikeli Eşyalar Yönetmeliğinin gereksinimlerine tabidir. Ticari nakliye işlemleri için, örneğin üçüncü taraflar, nakliye agenteleri tarafından yapılan nakliyelerde, paketleme ve etiketleme gereksinimlerine uyulmalıdır.
Nakliyesi yapılacak ürünün hazırlanması için, tehlikeli maddeler konusunda uzman bir kişiye danışın. Lütfen muhtemelen daha ayrıntılı olan ulusal yönetmeliklere de uyun.
Açık kontakları bantlayın ya da maskeleyin ve bataryayı paketin içinde hareket ettirmeyecek şekilde paketlenin.
11. Bataryanın elden çıkarılması ile ilgili yerel düzenlemelere uyunuz.
12. Bataryaları sadece Makita tarafından belirtilen ürünlerle kullanın. Bataryaların uyumsuz ürünlerle takılması; yangın, aşırı ısınma, patlama ya da elektrolit sızıntısına neden olabilir.

BU TALİMATLARI MUHAFAZA EDİNİZ.

⚠ DİKKAT: Sadece orijinal Makita bataryalarını kullanın.

Orijinal olmayan Makita bataryaları ya da üzerine değişiklik yapılmış bataryaların kullanımı bataryanın patlamasına ve sonuç olarak yangın, kişisel yaralanma ve hasara neden olabilir. Ayrıca Makita aleti ve şarj aletinin Makita tarafından sunulan garantisi de geçersiz olur.

Maksimum batarya ömrü için ipuçları

1. Batarya kartuşunu tamamen boşalmadan önce şarj edin. Aletin gücünün zayıflamaya başladığını fark ettiğinizde aleti durdurun ve batarya kartuşunu şarj edin.
2. Tam dolu bir batarya kartuşunu asla yeniden şarj etmeyin. Aşırı şarj etme bataryanın hizmet ömrünü kısaltır.
3. Batarya kartuşunu 10°C - 40°C oda sıcaklığında şarj edin. Sıcak bir batarya kartuşunu şarj etmeden önce soğumasını bekleyin.
4. Uzun bir süre (altı aydan daha fazla) kullanmadığınız durumlarda batarya kartuşunu şarj edin.

İŞLEVSEL AÇIKLAMALAR

⚠ DİKKAT:

• Alet üzerinde ayarlama ya da işleyiş kontrolü yapmadan önce aletin kapalı ve batarya kartuşunun çıkartılmış olduğundan daima emin olun.

Batarya kartuşunun takılması ve çıkarılması (Şek. 1)

⚠ DİKKAT:

• Batarya kartuşunu takmadan ya da çıkarmadan önce aleti daima kapatın.
• Batarya dönüştürücüyü takarken veya çıkarırken aleti ve batarya dönüştürücüyü sıkıca tutun.
Aletin ve batarya kartuşunun sıkıca tutulmaması bunların düşürülmesine sebep olabilir ve alet ve batarya kartuşunun zarar görmesine ya da ciddi yaralanmasına yol açabilir.

Batarya kartuşunu çıkarmak için, kartuşun ön tarafındaki düğmeyi kaydırarak kartuşu aletten çıkarın.

Batarya kartuşunu takmak için, batarya kartuşu üzerindeki dili yuvanın çentiği ile hizalayın ve yerine oturtun. Hafif bir tık sesi duyulana kadar itip yerine tam oturmasını sağlayın. Düğmenin üst tarafındaki kırmızı gösterge görünüyorsa tam yerine kilittenmemiş demektir.

⚠ DİKKAT:

• Batarya kartuşunu daima kırmızı gösterge görünmeyecek şekilde tam olarak takın. Yerine tam oturmazsa, aletten yanlışlıkla düşebilir, sizin ya da çevrenizdeki kişilerin yaralanmasına neden olabilir.
• Batarya kartuşunu zorlayarak takmayın. Kartuş kolay bir şekilde kaymıyorsa doğru yerleştirilmemiş demektir.

Kalan batarya kapasitesinin kontrol edilmesi (BL1460A) (Şek. 2)

NOT:

• Kullanım koşullarına ve ortam sıcaklığına bağlı olarak, gösterilen değer gerçek kapasiteden biraz farklılık gösterebilir.

Şarj ederken

Şarj başladığında ilk (en soldaki) gösterge lambası yanıp sönmeye başlar. Daha sonra şarj devam ettikçe diğer lambalar birbiri ardında yanarak batarya kapasitesini gösterir.

NOT:

- Şarj ederken gösterge lambası yanmaz veya yanıp sönmeye batarya arızalı olabilir. Bu durumda yerel servisimize başvurun.

Kullanırken

Alet açıldığında lambalar yanarak kalan batarya kapasitesini gösterir. Alet kapatıldığında ışık yaklaşık 5 saniye sonra kapanır.

Alet kapalıyken kontrol düğmesine basılırsa gösterge lambaları yaklaşık 5 saniye yanarak batarya kapasitesini gösterir.

Turuncu lamba yanıp sönerse kalan batarya kapasitesi az olduğundan dolayı alet durur (Otomatik durma mekanizması). Bu durumda batarya kartuşunu şarj edin veya şarjlı bir batarya kartuşu kullanın.

Alet uzun süredir kullanılmayan bir bataryayla kullanılır ve açılırsa hiçbir lamba yanmayabilir. Bu durumda kalan batarya kapasitesi az olduğundan dolayı alet durur. Bataryayı düzgün bir şekilde şarj edin.

Anahtar işlemi (Şek. 3)**⚠️ DİKKAT:**

- Batarya kartuşunu alete takmadan önce, anahtar tetiğin düzgün çalıştığından ve bırakıldığında "OFF" (KAPALI) pozisyona döndüğünden emin olun.

Makineyi çalıştırmak için anahtar tetiği çekin. Durdurmak için anahtar tetiği bırakın.

LED gösterge / Bipleyci

Alet üstündeki LED gösterge / Bipleyci aşağıdaki işlevleri gösterir.

İşlev	Durum	LED göstergesinin/bipleycinin durumu		Yapılacak iş
		LED göstergesi	Bipleyci	
Sıkmanın otomatik olarak durdurulması	Bu işlev alet önceden belirlenmiş sıkma torkuna ulaşınca ve normal sıkma tamamlanınca devreye girer. Bu, fazla sıkmanın önlenmesini sağlar.	Yaklaşık bir saniye yeşil yanar.	—	—
Gecikmeli yeniden çalıştırma	Sıkmanın otomatik durdurulmasından sonra yaklaşık bir saniye, anahtar tetik çekilse bile alet çalışmaz.			
Yetersiz sıkma uyarısı	Önceden belirlenen sıkma torkuna ulaşılmadan anahtar tetik serbest bırakılınca yetersiz sıkma yapılır.	Kırmızı yanar.	Uzun bir bip sesi	Vidayı yeniden sıkın.
Batarya kartuşu kapasitesi için uyarı	Bu, batarya gücü azaldığı zaman batarya kartuşunu değiştirme zamanı geldiğini gösterir.	Kırmızı renkte yavaş olarak titreşir.	Bir dizi uzun bip sesi	Bataryası tam şarjlı başka bir batarya ile değiştirin.
Kalan batarya kapasitesinin kontrol edilmesi, Otomatik durma	Bu işlev, batarya gücü bitmek üzereyken devreye girer. Bu durumda, alet hemen durur.	Kırmızı yanar.	Uzun bir bip sesi	Bataryası tam şarjlı başka bir batarya ile değiştirin.
LED göstergesinin, ışığın ve bipleycinin işleyişinin kontrolü	Bu işlev, alete bir batarya kartuşu takıldığı zaman LED göstergesinin, ışığın ve bipleycinin doğru çalışıp çalışmadığını kontrol etmek içindir.	Önce yeşil, sonra kırmızı yanar. (Ve sonra ışık açık kalır.)	Bir dizi çok kısa bip sesi	—
Kontrolörün anti-reset özelliği	Bu işlev, herhangi bir nedenle batarya voltajında anormal bir düşme olup alet durunca devreye girer.	Sırayla kırmızı ve yeşil renkte titreşir.	Bir dizi kısa bip sesi	Bataryası tam şarjlı başka bir batarya ile değiştirin.

Anahtarın işleyişi (Şek. 4)**⚠️ DİKKAT:**

- Kullanmadan önce dönüş yönünü daima kontrol edin.
- Ters dönüş mandalını, makine tamamen durduktan sonra kullanın. Alet durmadan yön değiştirmek alete zarar verebilir.
- Aleti kullanmadığınız zamanlarda, ters dönüş mandalını daima nötr pozisyonda tutun.

Bu makinenin dönme yönünü değiştirmek için ters dönüş mandalı vardır. Saat yönünde dönme için, ters dönüş mandalını A tarafı pozisyonuna, saat yönünün tersine dönme için de B tarafı pozisyonuna getirin.

Ters dönüş mandalı nötr pozisyondayken anahtar tetik çekilemez.

Lambaların yakılması (Şek. 5)**⚠️ DİKKAT:**

- Işığa ya da ısıya kaynağına doğrudan bakmayın.

Lambayı yakmak için anahtar tetiği çekin. Anahtar tetik çekilirken lamba yanmaya devam eder. Anahtar tetik serbest bırakıldıktan 10 saniye sonra ışık otomatik olarak söner.

NOT:

- Lamba lensini temizlemek için kuru bir bez kullanın. Aydınlatmayı azaltacağı için lamba lensinin çizilmemesine dikkat edin.

İşlev	Durum	LED göstergesinin/bipleycinin durumu		Yapılacak iş
		LED göstergesi	Bipleyci	
Fazla ısınma	Bu işlev, kontrolörün sıcaklığı çok yükselip alet durunca devreye girer.	Kırmızı renkte hızlı olarak titreşir.	Bir dizi kısa bip sesi	Batarya kartuşunu derhal çıkarıp aleti soğutun.
Anahtar tetiğin işleyişinde hata	Bu işlev anahtar tetik çekiliyken alete batarya kartuşu takılınca aletin hemen çalışmasını önlemek için devreye girer.	Sırayla kırmızı ve yeşil renkte titreşir.	Bir dizi kısa bip sesi	Anahtar tetiği serbest bırakın.
Sıkıştırma kapasitesi limiti uyarısı	Sıkıştırma kapasitesi limiti aşıldığında kavrama çalışmadan alet otomatik olarak durur.	Sırayla kırmızı ve yeşil renkte titreşir.	Bir dizi kısa bip sesi	Batarya kartuşunu çıkarıp yeniden takın. Alet kapasitesi dahilindeki yük altında kullandığınızdan emin olun.

013073

Sıkma torkunun ayarlanması (Şek. 6 ve 7)

Makine vidalarını, ağaç vidalarını, altıgen civataları, vs. önceden belirlenen torkla vidalamak isterseniz, sıkma torkunu aşağıdaki gibi ayarlayın.

1. Önce aletten batarya kartuşunu çıkarın.
2. Lamba kapağını tutan vidaları gevşetin.
3. Aletin ön tarafındaki bileziği elle altında bir delik görünceye kadar döndürün.
4. Batarya kartuşunu yerine takın ve anahtar tetiği çekin. Ayar bileziğinin dönüp delik içinde görünür olmasını sağlayacak şekilde tetiği serbest bırakın. Ve sonra batarya kartuşunu çıkarın.
5. Sıkma torkunu ayarlamak için isteğe bağlı bir ayar tutamağı kullanın. Ayar tutamağının pimini aletin ön tarafındaki deliğe geçirin. Ve sonra, ayar tutamağı daha büyük sıkma torkuna ayarlamak için saat yönünde, daha küçük sıkma torkuna ayarlamak içinse saat yönünün tersine döndürün.
6. Sarı çizgiyi sıkma torku ölçeğinde istediğiniz numaraya hizalayın.
7. Batarya kartuşunu takın ve bir sıkma torku test edicisi kullanarak sıkma torkunun ayarlanmış olduğundan emin olun.
8. Aletin ön kısmındaki bileziği çevirin ve daha sonra vidayı sıkarak bileziği sabitleyin.

NOT:

- Sıkma torku ölçeğindeki numaralar istediğiniz sıkma torkuna ayar yapmanız için bir kılavuzdur.

MONTAJ

⚠ DİKKAT:

- Alet üzerinde herhangi bir iş yapmadan önce aletin kapalı ve batarya kartuşunun ayrılmış olduğundan daima emin olun.

Doğru lokma veya tornavida ucunun seçilmesi

Bazı modeller için uygulamaya bağlı olarak farklı türde lokma veya tornavida uçları vardır. Uygulamanız için doğru bir lokma veya uç seçin ve takın.

Lokma ucunun takılması ve çıkarılması (Şek. 8)

Lokma ucunu takmak için, aletin kare uçlu geçme anahtarını bir elle iterken, diğer elinizle yerine kilitlenene kadar kare uçlu geçme anahtar üzerindeki bir pime bastırın. Lokma ucunu çıkarmak için, kare uçlu geçme anahtarının üzerindeki pime bastırarak ucu çekip çıkarın.

Ucu takılması ve çıkarılması (Şek. 9)

Geri çekme manşonlu aletler için

Ucu takmak için, kovani ok yönünde çekin ve ucu kovana ilerleyebildiği kadar sokun. Ardından, ucu sabitlemek için kovani serbest bırakın.

Ucu çıkarmak için, kovani ok yönünde çekin ve ucu sertçe çekip çıkarın.

Geri çekme manşonsuz aletler için

Ucu takmak için, ucu mil içinde gidebileceği kadar ileri yerleştirin. Ucu çıkarmak için, ucu sıkıca çekip çıkarın.

KULLANIM

Aleti sıkıca tutun ve lokma ucunu civata veya somun üzerine yerleştirin. Ardından aleti açık konuma getirin. Kavrama devreye girince motor otomatik olarak durur. Sonra anahtar tetiği serbest bırakın.

NOT:

- Aleti kare uçlu geçme anahtarı düz bir şekilde civata veya somuna bakacak şekilde tutun, aksi takdirde civata veya somun zarar görür.

Sıkma kapasitesi sınırları

Aleti 360°'ye kadar dönüş açısı aralığında kullanın. Aleti bu aralığın üst sınırının dışında kullanırsanız, kavrama çalışmaz. Ve alet yeterli sıkma torku sağlayamaz (LED göstergesi sırayla kırmızı ve yeşil titreşir).

NOT:

- Dönüş açısı bir vidanın/civatanın alet istenilen torkun %50'sinden %100'üne kadarını elde ettiği zaman döndüğü açı anlamına gelir.
- Düşük sıcaklık koşullu bir batarya kartuşunun kullanılması bazen bipleyci ve uyarı lambasıyla batarya kartuşu kapasitesi için uyarı verebilir ve bu uyarı aleti hemen durdurur. Bu durumda sıkma kapasitesi aralığı şarjlı bir batarya kartuşu kullanılsa bile yukarıda gösterilenden düşük olabilir.

⚠ DİKKAT:

- Kontrol ya da bakım yapmadan önce aletin kapalı ve batarya kartuşunun çıkartılmış olduğundan daima emin olun.
- Benzin, tiner, alkol ve benzeri maddeleri kesinlikle kullanmayın. Renk değişimi, deformasyon veya çatlaklar oluşabilir.

Karbon fırçaların değiştirilmesi (Şek. 10 ve 11)

Karbon fırçaları düzenli olarak çıkarıp kontrol edin. Sınır işaretine kadar yıprandıkları zaman değiştirin. Karbon fırçalarının temiz ve yuvaları içinde serbestçe kayar durumda kalmalarını sağlayın. Her iki karbon fırça aynı zamanda değiştirilmelidir. Sadece birbirinin aynısı olan karbon fırçaları kullanın.

Fırça yuvası kapaklarını çıkarmak için bir tornavida kullanın. Aşınmış karbon fırçalarını dışarı çıkarın, yerlerine yenilerini geçirin ve fırça yuvası kapaklarını açılmayacak şekilde takın.

Aleti EMNİYETLİ ve ÇALIŞMAYA HAZIR durumda tutmak için onarımlar, başka her türlü bakım ve ayarlamalar daima Makita yedek parçaları kullanılarak Makita Yetkili Servis Merkezleri tarafından yapılmalıdır.

İSTEĞE BAĞLI AKSESUARLAR**⚠ DİKKAT:**

- Bu aksesuarlar ve ek parçalar bu el kitabında belirtilen Makita aletiniz ile kullanılmak için tavsiye edilmektedir. Herhangi başka bir aksesuar ya da ek parka kullanılması insanlar için bir yaralanma riski getirebilir. Aksesuarları ya da ek parçaları yalnızca belirtilmiş olan kullanım amaçlarına uygun olarak kullanın.

Bu aksesuarlarla ilgili daha fazla bilgiye ihtiyaç duyarsanız bulunduğunuz yerdeki Makita Servis Merkezi başvurun.

- Koruyucu
- Orijinal Makita batarya ve şarj aleti
- Açılı kafa seti
- Ayar tutamağı
- Geri tepme önleme aparatı
- Mil kompleksi

NOT:

- Listedeki bazı parçalar standart aksesuar olarak ürün paketinin içine dahil edilmiş olabilir. Aksesuarlar ülkeden ülkeye farklılık gösterebilir.

ENG905-1

Gürültü

EN62841 uyarınca hesaplanan tipik A-ağırlıklı gürültü düzeyi:

Ses basınç seviyesi (L_{pA}): 70 dB (A)'den az

Belirsizlik (K): 3 dB (A)

İşlem sırasında gürültü seviyesi 80 dB (A)'yi geçebilir.

NOT:

- Beyan edilen gürültü emisyonu değer(ler)i bir standart test yöntemine uygun şekilde ölçülmüştür ve bir aleti bir başkasıyla karşılaştırmak için kullanılabilir.
- Beyan edilen gürültü emisyonu değer(ler)i bir ön maruz kalma değerlendirmesi olarak da kullanılabilir.

⚠ UYARI:

- Kulak koruyucuları takın.
- Elektrikli aletin gerçek kullanımı sırasındaki gürültü emisyonu, aletin kullanım biçimlerine, özellikle işlenen iş parçasının türüne bağlı olarak beyan edilen değer(ler)den farklı olabilir.
- Gerçek kullanım koşullarındaki tahmini maruziyeti baz alan, operatörü koruyacak güvenlik önlemlerini mutlaka belirleyin (çalışma döngüsü içerisinde aletin kapalı olduğu ve aktif durumda olmasının yanı sıra boşta çalıştığı zamanlar gibi, bütün zaman dilimleri göz önünde bulundurarak).

ENG900-1

Titreşim

EN62841 standardına göre hesaplanan titreşim toplam değeri (üç eksenli vektör toplamı):

Çalışma modu: darbesiz vidalama

Titreşim emisyonu (a_{h1}): 2,5 m/s²den az

Belirsizlik (K): 1,5 m/s²

ENG901-2

NOT:

- Beyan edilen titreşim toplam değer(ler)i bir standart test yöntemine uygun şekilde ölçülmüştür ve bir aleti bir başkasıyla karşılaştırmak için kullanılabilir.
- Beyan edilen titreşim toplam değer(ler)i bir ön maruz kalma değerlendirmesi olarak da kullanılabilir.

⚠ UYARI:

- Elektrikli aletin gerçek kullanımı sırasındaki titreşim emisyonu, aletin kullanım biçimlerine, özellikle işlenen iş parçasının türüne bağlı olarak beyan edilen değer(ler)den farklı olabilir.
- Gerçek kullanım koşullarındaki tahmini maruziyeti baz alan, operatörü koruyacak güvenlik önlemlerini mutlaka belirleyin (çalışma döngüsü içerisinde aletin kapalı olduğu ve aktif durumda olmasının yanı sıra boşta çalıştığı zamanlar gibi, bütün zaman dilimleri göz önünde bulundurarak).

AT UYGUNLUK BEYANI**Sadece Avrupa ülkeleri için**

AT uygunluk beyanı bu kullanım kılavuzuna Ek A olarak eklenmiştir.

Makita Europe N.V.

Jan-Baptist Vinkstraat 2,
3070 Kortenberg, Belgium

Makita Corporation

3-11-8, Sumiyoshi-cho,
Anjo, Aichi 446-8502 Japan