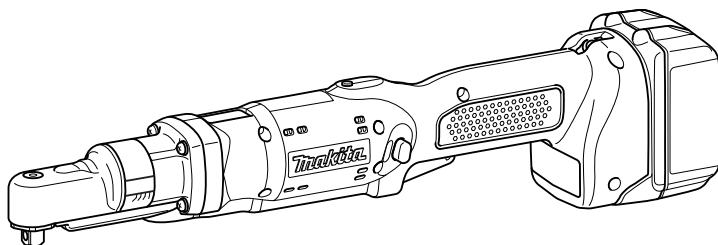
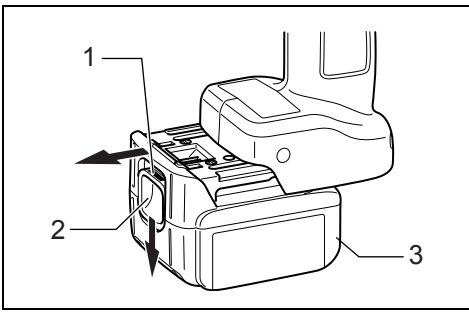




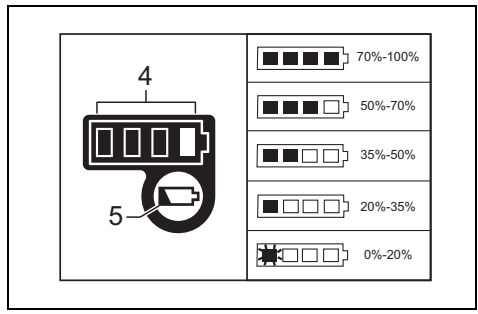
GB	Cordless Angle Screwdriver	Instruction Manual
F	Visseuse Industrielle à Renvoi d'Angle	Manuel d'instructions
D	Akku-Winkelschrauber	Betriebsanleitung
I	Avvitatore ad angolo a batteria	Istruzioni per l'uso
NL	Accu haakse schroevendraaier	Gebruiksaanwijzing
E	Atornillador Angular Inalámbrico	Manual de instrucciones
P	Parafusadeira Angular a Bateria	Manual de instruções
DK	Akku-vinkelskrueetrækker	Brugsanvisning
GR	Ασύρματο γωνιακό κατσαβίδι	Οδηγίες χρήσεως

DFL201F
DFL301F
DFL402F

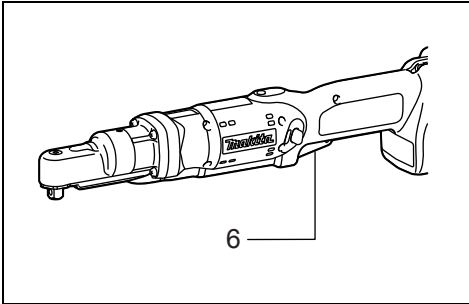




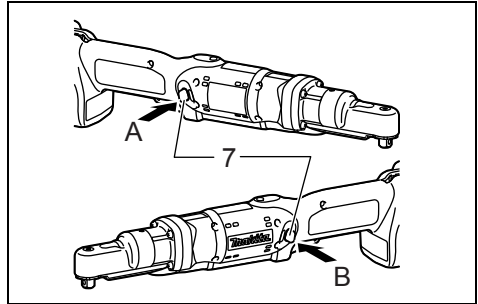
1 007918



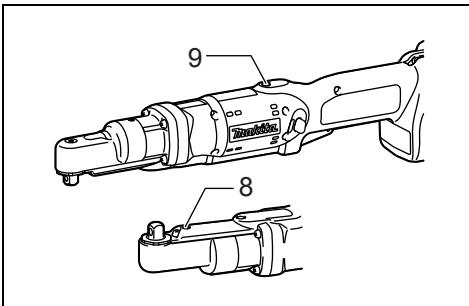
2 0983501



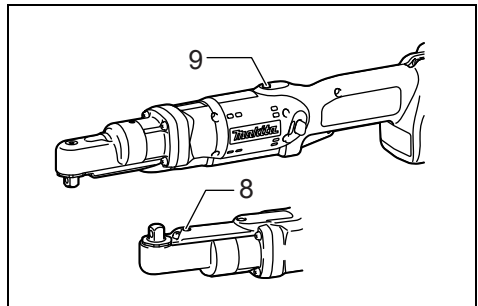
3 011034



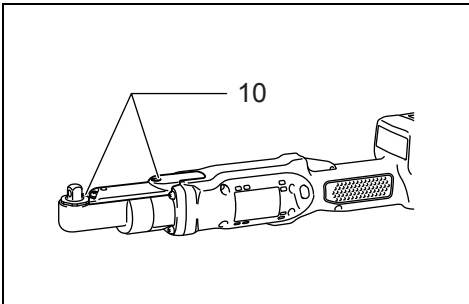
4 011035



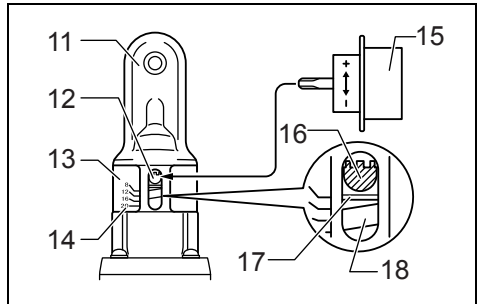
5 011036



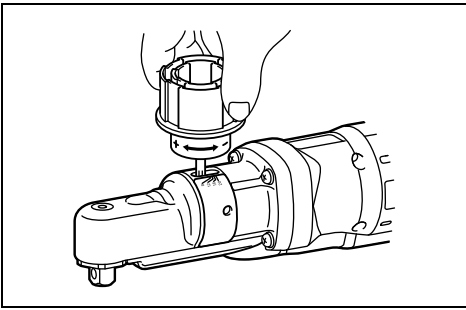
6 011036



7 011037

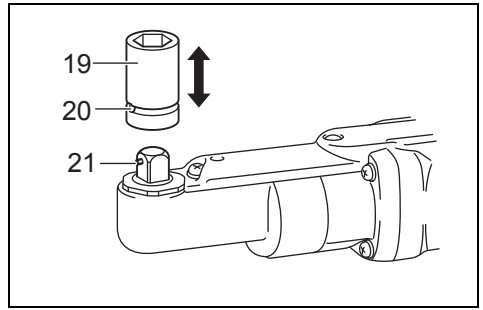


8 011038



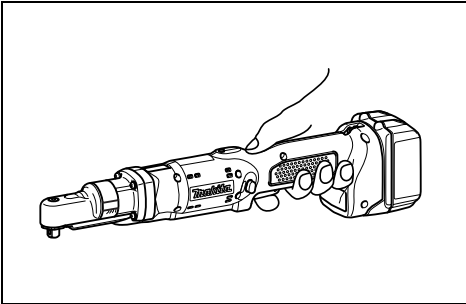
9

011039



10

011040



11

011041

Explanation of general view

1 Red part	8 Lamp	15 Adjust grip
2 Button	9 LED indicator	16 Hole for adjust grip
3 Battery cartridge	10 Screws	17 Yellow line
4 Indicator lamps	11 Angle head	18 Compression spring
5 Check button	12 Adjust ring	19 Socket
6 Switch trigger	13 Ring	20 Hole
7 Reversing switch lever	14 Scale	21 Pin

SPECIFICATIONS

Model		DFL201F	DFL301F	DFL402F
Fastening torque	Hard joint	8 – 20 N•m	16 – 30 N•m	25 – 40 N•m
	Soft joint	8 – 20 N•m	16 – 30 N•m	25 – 40 N•m
Square drive		9.5 mm	9.5 mm	9.5 mm
No load speed (min ⁻¹)		360	260	200
Overall length (Depending on the battery)		417 – 429 mm	465 – 477 mm	465 – 477 mm
Net weight		1.5 – 2.1 kg	1.7 – 2.1 kg	1.7 – 2.1 kg
Rated voltage		D.C. 14.4 V		

- Due to our continuing program of research and development, the specifications herein are subject to change without notice.
- Specifications may differ from country to country.
- The weight may differ depending on the attachment(s), including the battery cartridge. The lightest and heaviest combination, according to EPTA-Procedure 01/2014, are shown in the table.

Applicable battery cartridge and charger

Battery cartridge	BL1415N / BL1415NA / BL1430 / BL1430B / BL1440 / BL1450 / BL1460A / BL1460B
Charger	DC18RC / DC18RD / DC18RE / DC18SD / DC18SE / DC18SF

- Some of the battery cartridges and chargers listed above may not be available depending on your region of residence.

⚠ WARNING: Only use the battery cartridges and chargers listed above. Use of any other battery cartridges and chargers may cause injury and/or fire.

Intended use

The tool is intended for screw driving in wood, metal and plastic.

ENE033-1

GEB139-1

CORDLESS SCREWDRIVER SAFETY WARNINGS

1. **Hold the power tool by insulated gripping surfaces, when performing an operation where the fastener may contact hidden wiring.** Fasteners contacting a "live" wire may make exposed metal parts of the power tool "live" and could give the operator an electric shock.
2. **Always be sure you have a firm footing. Be sure no one is below when using the tool in high locations.**
3. **Hold the tool firmly.**
4. **Keep hands away from rotating parts.**
5. **Do not touch the bit or the workpiece immediately after operation; they may be extremely hot and could burn your skin.**
6. **Always secure workpiece in a vise or similar hold-down device.**

SAVE THESE INSTRUCTIONS.

General Power Tool Safety Warnings

⚠ WARNING Read all safety warnings, instructions, illustrations and specifications provided with this power tool. Failure to follow all instructions listed below may result in electric shock, fire and/or serious injury.

GEA010-2

Save all warnings and instructions for future reference.

The term "power tool" in the warnings refers to your mains-operated (corded) power tool or battery-operated (cordless) power tool.

**WARNING:**

DO NOT let comfort or familiarity with product (gained from repeated use) replace strict adherence to safety rules for the subject product. **MISUSE** or failure to follow the safety rules stated in this instruction manual may cause serious personal injury.

ENC007-12

IMPORTANT SAFETY INSTRUCTIONS FOR BATTERY CARTRIDGE

1. Before using battery cartridge, read all instructions and cautionary markings on (1) battery charger, (2) battery, and (3) product using battery.
2. Do not disassemble battery cartridge.
3. If operating time has become excessively shorter, stop operating immediately. It may result in a risk of overheating, possible burns and even an explosion.
4. If electrolyte gets into your eyes, rinse them out with clear water and seek medical attention right away. It may result in loss of your eyesight.
5. Do not short the battery cartridge:
 - (1) Do not touch the terminals with any conductive material.
 - (2) Avoid storing battery cartridge in a container with other metal objects such as nails, coins, etc.
 - (3) Do not expose battery cartridge to water or rain.

A battery short can cause a large current flow, overheating, possible burns and even a breakdown.

6. Do not store the tool and battery cartridge in locations where the temperature may reach or exceed 50°C (122°F).
7. Do not incinerate the battery cartridge even if it is severely damaged or is completely worn out. The battery cartridge can explode in a fire.
8. Be careful not to drop or strike battery.
9. Do not use a damaged battery.
10. The contained lithium-ion batteries are subject to the Dangerous Goods Legislation requirements.

For commercial transports e.g. by third parties, forwarding agents, special requirement on packaging and labeling must be observed. For preparation of the item being shipped, consulting an expert for hazardous material is required. Please also observe possibly more detailed national regulations.

Tape or mask off open contacts and pack up the battery in such a manner that it cannot move around in the packaging.
11. Follow your local regulations relating to disposal of battery.
12. Use the batteries only with the products specified by Makita. Installing the batteries to non-compliant products may result in a fire, excessive heat, explosion, or leak of electrolyte.

SAVE THESE INSTRUCTIONS.

**CAUTION:**

Only use genuine Makita batteries. Use of non-genuine Makita batteries, or batteries that have been altered, may result in the battery bursting causing fires, personal injury and damage. It will also void the Makita warranty for the Makita tool and charger.

Tips for maintaining maximum battery life

1. Charge the battery cartridge before completely discharged. Always stop tool operation and charge the battery cartridge when you notice less tool power.
2. Never recharge a fully charged battery cartridge. Overcharging shortens the battery service life.
3. Charge the battery cartridge with room temperature at 10°C – 40°C (50°F – 104°F). Let a hot battery cartridge cool down before charging it.
4. Charge the battery cartridge if you do not use it for a long period (more than six months).

FUNCTIONAL DESCRIPTION

**CAUTION:**

- Always be sure that the tool is switched off and the battery cartridge is removed before adjusting or checking function on the tool.

Installing or removing battery cartridge (Fig. 1)

- Always switch off the tool before insertion or removal of the battery cartridge.
- To remove the battery cartridge, withdraw it from the tool while sliding the button on the front of the cartridge.
- To insert the battery cartridge, align the tongue on the battery cartridge with the groove in the housing and slip it into place. Always insert it all the way until it locks in place with a little click. If you can see the red part on the upper side of the button, it is not locked completely. Insert it fully until the red part cannot be seen. If not, it may accidentally fall out of the tool, causing injury to you or someone around you.
- Do not use force when inserting the battery cartridge. If the cartridge does not slide in easily, it is not being inserted correctly.

Checking the remaining battery capacity (BL1460A) (Fig. 2)

NOTE:

- Depending on the conditions of use and the ambient temperature, the indication may differ slightly from the actual capacity.

When charging

When the charging begins, the first (far left) indicating lamp begins to flicker. Then, as charging proceeds, the other lamps light, one after the other, to indicate the battery capacity.

NOTE:

- If the indicator lamp does not turn on or flicker when charging, the battery may be faulty. In this case, ask your local service center.

When using

When the tool is switched on, the lamps will light to indicate the remaining battery capacity. When the tool is switched off, the light goes out after approx. 5 seconds. When pushing the check button with the tool switched off, the indicator lamps turn on for approx. 5 seconds to show battery capacity.

If the orange lamp flickers, the tool stops because of little remaining battery capacity (Auto-stop mechanism).

Charge the battery cartridge or use a charged battery cartridge at this time.

When the tool is used with the battery that has not been used for a long time and is switched on, no lamps may light up. The tool stops because of little remaining battery capacity at this time. Charge the battery properly.

Switch action (Fig. 3)

CAUTION:

- Before inserting the battery cartridge into the tool, always check to see that the switch trigger actuates properly and returns to the "OFF" position when released.

To start the tool, simply pull the switch trigger. Release the switch trigger to stop.

Reversing switch action (Fig. 4)

CAUTION:

- Always check the direction of rotation before operation.
- Use the reversing switch only after the tool comes to a complete stop. Changing the direction of rotation before the tool stops may damage the tool.
- When not operating the tool, always set the reversing switch lever to the neutral position.

This tool has a reversing switch to change the direction of rotation. Depress the reversing switch lever from the A side for clockwise rotation or from the B side for counterclockwise rotation.

When the reversing switch lever is in the neutral position, the switch trigger cannot be pulled.

Lighting up the lamps (Fig. 5)

CAUTION:

- Do not look in the light or see the source of light directly.

Pull the switch trigger to light up the lamp. The lamp keeps on lighting while the switch trigger is being pulled. The light automatically goes out 10 seconds after the switch trigger is released.

NOTE:

- Use a dry cloth to wipe the dirt off the lens of lamp. Be careful not to scratch the lens of lamp, or it may lower the illumination.

LED indicator / Beeper (Fig. 6)

LED indicator / Beeper on the tool shows the following functions.

Status of the LED indicator/beeper		Function	Status	Action to be taken
LED indicator	Beeper			
Lights up in Green → Red → Blue → White in order.	A series of very short beeps	Check LED, light and beeper (when pulling switch trigger for the first time after installing a battery cartridge into the tool).	Make sure that green, red, blue, white LED lights up and beeper beeps properly.	—
Lights up in green for approximately one second.	—	Auto-stop fastening	This function works when the tool has reached the preset fastening torque and normal tightening has been completed. This helps overtightening to be avoided.	—
Blinks in purple slowly.	A series of long beeps	Warning for battery cartridge capacity	This indicates the appropriate time to replace the battery cartridge when the battery power becomes low.	Replace the battery with fully charged one.
Lights up in purple.	A long beep	Checking the remaining battery capacity, Autostop	This function works when the battery power is almost used up. At this time, tool stops immediately.	Replace the battery with fully charged one.
Lights up in red and green alternatively.	A series of short beeps	Anti-reset of controller	This function works when an abnormal drop of the battery voltage occurs for some reason, and the tool stops.	Replace the battery with fully charged one.
		Failure of motor	This function works when motor fails.	Take it to a Makita Authorized Service centers.
Blinks in red quickly.	A series of short beeps	Overheat	This function works when the temperature of the controller or motor goes up very highly, and the tool stops.	Remove the battery cartridge immediately and cool the tool down.
Blinks in red and yellow alternatively.	A long beep	Warning against insufficient fastening	Fastening is incomplete when switch trigger of tool is released before clutch activation.	—
		Double-hitting detection	This function works when a screw is refastened after fastening.	—

011001

Adjusting the fastening torque

When you wish to drive machine screws, wood screws, hex bolts, etc. with the predetermined torque, adjust the fastening torque as follows.

1. First remove the battery cartridge from the tool.
2. Loosen and remove the screw that secures ring. (Loosen the two screws that secure ring only for DFL201F) (Fig. 7)
3. Rotate the ring in the front of the tool by hand so that a hole can be seen below the ring.
4. Place the battery cartridge in place and pull the switch trigger. Release it so that the adjust ring rotates and the hole becomes visible as illustrated (Fig. 8). And then remove the battery cartridge.
5. Use an optional adjust grip to adjust the fastening torque. Insert the pin of the adjust grip into the hole in the front of the tool. And then, turn the adjust grip clockwise to set a greater fastening torque, and counterclockwise to set a smaller fastening torque. (Fig. 9)
6. Align the edge of the adjust ring with your desired number on the fastening torque scale.
7. Insert the battery cartridge and be sure that a fastening torque has been set up by using a fastening torque tester.
8. Rotate the ring so that the hole for adjust grip is covered, hold and then secure the ring with screw.

NOTE:

- Numbers on the fastening torque scale is a guideline to set up your desired fastening torque.

ASSEMBLY

CAUTION:

- Always be sure that the tool is switched off and the battery cartridge is removed before carrying out any work on the tool.

Selecting correct socket

There are different types of sockets for some models depending on applications. Choose and install a correct socket for your application.

Installing or removing socket (Fig. 10)

To install the socket, push it onto the square drive of the tool with one hand by depressing a pin on the square drive with another hand until it locks into place. To remove the socket, simply pull it off depressing the pin on the square drive.

OPERATION

Hold the tool firmly and place the socket over the bolt or nut. Then switch the tool on. When the clutch cuts in, the motor will stop automatically. Then release the switch trigger. (Fig. 11)

NOTE:

- Hold the tool with its square drive pointed straight at the bolt or nut, or the bolt or nut will be damaged.

Limits of fastening capacity

Use the tool within the range of the revolution angle up to 360°. If you use the tool beyond the upper limit of this range, the clutch does not work. And the tool cannot deliver enough fastening torque (LED indicator blinks in purple slowly or lights up in purple).

NOTE:

- The revolution angle means the angle which a screw/bolt revolves when the tool attains to 100% from 50% of desired torque.
- Use of a low temperature conditioned battery cartridge may sometimes give warning for battery cartridge capacity by warning lamp and beeper which makes the tool stop immediately. In this case, the fastening capacity may be inferior to the specification on this manual even if a charged battery cartridge is used.

MAINTENANCE

CAUTION:

- Always be sure that the tool is switched off and the battery cartridge is removed before attempting to perform inspection or maintenance.
- Never use gasoline, benzine, thinner, alcohol or the like. Discoloration, deformation or cracks may result.

To maintain product SAFETY and RELIABILITY, repairs, any other maintenance or adjustment should be performed by Makita Authorized Service Centres, always using Makita replacement parts.

OPTIONAL ACCESSORIES

CAUTION:

- These accessories or attachments are recommended for use with your Makita tool specified in this manual. The use of any other accessories or attachments might present a risk of injury to persons. Only use accessory or attachment for its stated purpose.

If you need any assistance for more details regarding these accessories, ask your local Makita Service Center.

- Makita genuine battery and charger
- Adjust grip
- Protector
- Angle head set (For Model DFL201F only)
- Anti kickback attachment

NOTE:

- Some items in the list may be included in the tool package as standard accessories. They may differ from country to country.

Noise

The typical A-weighted noise level determined according to EN62841-2-2:

Model DFL201F, DFL402F

Sound pressure level (L_{pA}): 72 dB (A)

Uncertainty (K): 3 dB (A)

The noise level under working may exceed 80 dB (A).

Model DFL301F

Sound pressure level (L_{pA}): 74 dB (A)

Uncertainty (K): 3 dB (A)

The noise level under working may exceed 80 dB (A).

ENG907-1

NOTE:

- The declared noise emission value(s) has been measured in accordance with a standard test method and may be used for comparing one tool with another.
- The declared noise emission value(s) may also be used in a preliminary assessment of exposure.

⚠ WARNING:

- **Wear ear protection.**
- **The noise emission during actual use of the power tool can differ from the declared value(s) depending on the ways in which the tool is used especially what kind of workpiece is processed.**
- **Be sure to identify safety measures to protect the operator that are based on an estimation of exposure in the actual conditions of use (taking account of all parts of the operating cycle such as the times when the tool is switched off and when it is running idle in addition to the trigger time).**

Vibration

ENG900-1

The vibration total value (tri-axial vector sum) determined according to EN62841-2-2:

Work mode: screwdriving without impact

Vibration emission (a_{h1}): 2.5 m/s² or less

Uncertainty (K): 1.5 m/s²

ENG901-2

NOTE:

- The declared vibration total value(s) has been measured in accordance with a standard test method and may be used for comparing one tool with another.
- The declared vibration total value(s) may also be used in a preliminary assessment of exposure.

⚠ WARNING:

- **The vibration emission during actual use of the power tool can differ from the declared value(s) depending on the ways in which the tool is used especially what kind of workpiece is processed.**
- **Be sure to identify safety measures to protect the operator that are based on an estimation of exposure in the actual conditions of use (taking account of all parts of the operating cycle such as the times when the tool is switched off and when it is running idle in addition to the trigger time).**

EC DECLARATION OF CONFORMITY**For European countries only**

The EC declaration of conformity is included as Annex A to this instruction manual.

Descriptif

1	Partie rouge	9	Témoins DEL	16	Orifice pour la poignée de réglage
2	Bouton	10	Vis	17	Ligne jaune
3	Batterie	11	Tête angulaire	18	Ressort de compression
4	Témoins	12	Bague de réglage	19	Douille
5	Bouton de vérification	13	Bague	20	Orifice
6	Gâchette	14	Échelle	21	Broche
7	Levier inverseur	15	Poignée de réglage		
8	Lampe				

SPÉCIFICATIONS

Modèle		DFL201F	DFL301F	DFL402F
Couple de serrage	Joint rigide	8 – 20 N•m	16 – 30 N•m	25 – 40 N•m
	Joint souple	8 – 20 N•m	16 – 30 N•m	25 – 40 N•m
Carré conducteur		9,5 mm	9,5 mm	9,5 mm
Vitesse à vide (min ⁻¹)		360	260	200
Longueur totale (Selon la batterie)		417 – 429 mm	465 – 477 mm	465 – 477 mm
Poids net		1,5 – 2,1 kg	1,7 – 2,1 kg	1,7 – 2,1 kg
Tension nominale		14,4 V CC		

- Étant donné l'évolution constante de notre programme de recherche et développement, les spécifications contenues dans ce manuel sont sujettes à modification sans préavis.
- Les spécifications peuvent varier suivant les pays.
- Le poids peut être différent selon les accessoires, notamment la batterie. Les associations la plus légère et la plus lourde, conformément à la procédure EPTA-01/2014, sont indiquées dans le tableau.

Batterie et chargeur applicables

Batterie	BL1415N / BL1415NA / BL1430 / BL1430B / BL1440 / BL1450 / BL1460A / BL1460B
Chargeur	DC18RC / DC18RD / DC18RE / DC18SD / DC18SE / DC18SF

- Certains chargeurs et batteries répertoriés ci-dessus peuvent ne pas être disponibles selon la région où vous résidez.

⚠ AVERTISSEMENT : Utilisez uniquement les batteries et chargeurs répertoriés ci-dessus. L'utilisation de tout autre type de batterie et chargeur peut provoquer des blessures et/ou un incendie.

ENE033-1

GEB139-1

Utilisation prévue

L'outil est prévu pour le vissage dans le bois, le métal et le plastique.

GEA010-2

Consignes de sécurité générales pour outils électriques

⚠ AVERTISSEMENT Veuillez lire les consignes de sécurité, instructions, illustrations et spécifications qui accompagnent cet outil électrique. Le non-respect de toutes les instructions indiquées ci-dessous peut entraîner une électrocution, un incendie et/ou de graves blessures.

Conservez toutes les mises en garde et instructions pour référence ultérieure.

Le terme « outil électrique » dans les avertissements fait référence à l'outil électrique alimenté par le secteur (avec cordon d'alimentation) ou à l'outil électrique fonctionnant sur batterie (sans cordon d'alimentation).

CONSIGNES DE SÉCURITÉ POUR VISSEUSE SANS FIL

- 1. Tenez l'outil électrique par des surfaces de prise isolées lorsque vous effectuez une tâche au cours de laquelle l'élément de fixation peut entrer en contact avec des fils cachés.** Le contact des éléments de fixation avec un fil sous tension peut transmettre du courant dans les pièces métalliques exposées de l'outil électrique et électrocuter l'opérateur.
- 2. Assurez-vous toujours d'avoir une bonne assise.** Veillez à ce que personne ne se trouve en dessous de vous quand vous utilisez l'outil en hauteur.
- 3. Tenez l'outil fermement.**
- 4. Gardez vos mains à l'écart des pièces en rotation.**

5. Ne touchez pas l'embout ou la pièce immédiatement après l'exécution du travail ; ils peuvent être extrêmement chauds et vous brûler la peau.
6. Immobilisez toujours la pièce dans un étau ou un dispositif de retenue similaire.

CONSERVEZ CES INSTRUCTIONS.

⚠ AVERTISSEMENT :

NE vous laissez PAS tromper (au fil d'une utilisation répétée) par un sentiment d'aisance et de familiarité avec le produit, en négligeant le respect rigoureux des consignes de sécurité qui accompagnent le produit en question.

La MAUVAISE UTILISATION de l'outil ou l'ignorance des consignes de sécurité indiquées dans ce mode d'emploi peut entraîner de graves blessures.

ENC007-12

CONSIGNES DE SÉCURITÉ IMPORTANTES POUR LA BATTERIE

1. Avant d'utiliser la batterie, lisez toutes les instructions et précautions relatives (1) au chargeur de batterie, (2) à la batterie, et (3) au produit utilisant la batterie.
2. Ne démontez pas la batterie.
3. Cessez immédiatement l'utilisation si le temps de fonctionnement devient excessivement court. Il y a risque de surchauffe, de brûlures, voire d'explosion.
4. Si l'électrolyte pénètre dans vos yeux, rincez-les à l'eau claire et consultez immédiatement un médecin. Il y a risque de perte de la vue.
5. Ne court-circuitez pas la batterie :
 - (1) Ne touchez les bornes avec aucun matériau conducteur.
 - (2) Évitez de ranger la batterie dans un conteneur avec d'autres objets métalliques, par exemple des clous, des pièces de monnaie, etc.
 - (3) N'exposez pas la batterie à l'eau ou à la pluie.

Un court-circuit de la batterie peut provoquer une intensité de courant élevée, une surchauffe, parfois des brûlures et même une panne.

6. Ne rangez pas l'outil et la batterie dans un endroit où la température risque d'atteindre ou de dépasser 50 °C.
7. Ne jetez pas la batterie au feu même si elle est sérieusement endommagée ou complètement épuisée. La batterie peut exploser au contact du feu.
8. Évitez de laisser tomber ou de cogner la batterie.
9. N'utilisez pas la batterie si elle est endommagée.
10. Les batteries au lithium-ion contenues sont soumises aux exigences de la législation sur les marchandises dangereuses.

Lors du transport commercial par des tiers parties ou des transitaires par exemple, des exigences spécifiques en matière d'étiquetage et d'emballage doivent être respectées.

Pour la préparation de l'article expédié, il est nécessaire de consulter un expert en matériau dangereux. Veuillez également respecter les réglementations nationales susceptibles d'être plus détaillées.

Récouvrez les contacts exposés avec du ruban adhésif ou du ruban de masquage et emballez la batterie de telle sorte qu'elle ne puisse pas bouger dans l'emballage.

11. Suivez les réglementations locales en matière de mise au rebut des batteries.
12. Utilisez les batteries uniquement avec les produits spécifiés par Makita. L'insertion de batteries dans des produits non conformes peut provoquer un incendie, une chaleur excessive, une explosion ou une fuite de l'électrolyte.

CONSERVEZ CES INSTRUCTIONS.

⚠ ATTENTION :

N'utilisez que des batteries Makita d'origine. L'utilisation de batteries de marque autre que Makita ou de batteries modifiées peut provoquer l'explosion des batteries, ce qui présente un risque d'incendie, de dommages matériels et corporels. Cela annulera également la garantie Makita pour l'outil et le chargeur Makita.

Conseils pour assurer la durée de vie optimale de la batterie

1. Chargez la batterie avant qu'elle ne soit complètement déchargée. Arrêtez toujours l'outil et rechargez la batterie quand vous remarquez que la puissance de l'outil diminue.
2. Ne rechargez jamais une batterie complètement chargée. La surcharge réduit la durée de service de la batterie.
3. Chargez la batterie à une température ambiante comprise entre 10 °C et 40 °C. Avant de charger une batterie chaude, laissez-la refroidir.
4. Rechargez la batterie si elle est restée inutilisée pendant une période prolongée (plus de six mois).

DESCRIPTION DU FONCTIONNEMENT

⚠ ATTENTION :

- Assurez-vous toujours que l'outil est hors tension et que sa batterie est retirée avant de l'ajuster ou de vérifier son fonctionnement.

Installation et retrait de la batterie (Fig. 1)

- Mettez toujours l'outil hors tension avant d'insérer ou de retirer la batterie.
- Pour retirer la batterie, sortez-la de l'outil tout en faisant glisser le bouton à l'avant de la batterie.
- Pour insérer la batterie, alignez sa languette sur l'entaille à l'intérieur du carter, puis glissez la batterie en place. Insérez-la toujours bien à fond, jusqu'à ce qu'elle se verrouille en émettant un léger bruit sec. Si vous pouvez voir la partie rouge de la face supérieure du bouton, la batterie n'est pas parfaitement verrouillée. Insérez-la à fond, jusqu'à ce que la partie rouge ne soit plus visible. Sinon, elle risque de tomber accidentellement de l'outil, en vous blessant ou en blessant une personne qui se trouve près de vous.
- Ne forcez jamais quand vous introduisez la batterie. Si la batterie ne glisse pas aisément, c'est qu'elle n'est pas insérée correctement.

Vérification de la charge restante de la batterie (BL1460A) (Fig. 2)

NOTE :

- Selon les conditions d'utilisation et la température ambiante, l'indication peut être légèrement différente de la capacité réelle.

Pendant la charge

Lorsque la charge commence, le premier voyant lumineux (complètement à gauche) se met à clignoter. Puis les autres voyants s'allument l'un à la suite de l'autre à mesure que la charge progresse, pour indiquer le niveau de charge de la batterie.

NOTE :

- Si le voyant lumineux ne s'allume pas ou clignote pendant la charge, il se peut que la batterie soit défectueuse. Dans ce cas, contactez votre centre de service après-vente local.

Pendant l'utilisation

Après la mise sous tension de l'outil, les voyants s'allument pour indiquer la charge restante de la batterie. La lumière s'éteint au bout de 5 secondes environ lors de la mise hors tension de l'outil.

Si vous enfoncez le bouton de vérification alors que l'outil est éteint, les voyants lumineux s'allument pendant environ 5 secondes pour indiquer la charge de la batterie.

Si le voyant orange clignote, l'outil s'arrête en raison d'une faible charge restante de la batterie (mécanisme d'arrêt automatique). Chargez la batterie ou utilisez une batterie chargée alors.

Si vous mettez l'outil sous tension après avoir inséré une batterie n'ayant pas été utilisée pendant une période prolongée, il se peut qu'aucun voyant ne s'allume. L'outil s'arrête alors en raison d'une faible charge restante de la batterie. Chargez correctement la batterie.

Interrupteur (Fig. 3)

⚠ ATTENTION :

- Avant d'insérer la batterie dans l'outil, vérifiez toujours que la gâchette fonctionne bien et revient en position d'arrêt lorsque relâchée.

Pour mettre l'outil en marche, appuyez simplement sur la gâchette. Pour l'arrêter, relâchez la gâchette.

Fonctionnement de l'inverseur (Fig. 4)

⚠ ATTENTION :

- Avant d'utiliser l'outil, vérifiez toujours le sens de rotation.
- N'activez l'inverseur qu'une fois l'outil parfaitement arrêté. Vous risqueriez d'endommager l'outil en changeant le sens de rotation avant que l'outil ne soit arrêté.
- Lorsque vous n'utilisez pas l'outil, placez toujours le levier inverseur en position neutre.

Cet outil est muni d'un inverseur pour changer le sens de rotation. Enfoncez le levier inverseur du côté A pour une rotation dans le sens des aiguilles d'une montre, ou du côté B pour une rotation en sens inverse.

La pression sur la gâchette n'est pas possible lorsque le levier inverseur se trouve en position neutre.

Allumage de la lampe (Fig. 5)

⚠ ATTENTION :

- Ne regardez pas directement la lumière ou la source de lumière.

Appuyez sur la gâchette pour allumer la lampe. La lampe demeure allumée tant que la pression sur la gâchette est maintenue. Lorsque vous relâchez la gâchette, la lumière s'éteint au bout de 10 secondes.

NOTE :

- Utilisez un chiffon sec pour essuyer les saletés qui recouvrent la lentille de la lampe. Prenez garde de rayer la lentille de la lampe, sinon sa capacité d'éclairage sera affectée.

Témoin DEL / Avertisseur sonore (Fig. 6)

Le témoin DEL / l'avertisseur sonore de l'outil indique les fonctions suivantes.

État du témoin DEL/ avertisseur sonore		Fonction	État	Mesure à prendre
Témoin DEL	Avertisseur sonore			
S'allume dans l'ordre suivant : vert → rouge → bleu → blanc.	Série de très courts signaux sonores	Vérifiez le bon fonctionnement du témoin DEL, de la lumière et de l'avertisseur sonore (la première fois que vous appuyez sur la gâchette après l'insertion d'une batterie dans l'outil).	Assurez-vous que les témoins DEL vert, rouge, bleu et blanc s'allument et que l'avertisseur sonore sonne correctement.	—
S'allume en vert pendant environ 1 seconde.	—	Serrage à arrêt automatique	Cette fonction s'active lorsque l'outil a atteint le couple de serrage préréglé et que le serrage s'est effectué normalement. Cela permet d'éviter un serrage excessif.	—
Clignote lentement en violet.	Série de longs signaux sonores	Avertissement : niveau de charge de la batterie	Indique qu'il est temps de remplacer la batterie, sa puissance ayant diminué.	Remplacez la batterie par une autre complètement chargée.
S'allume en violet.	Long signal sonore	Vérification du niveau de charge de la batterie et arrêt automatique	Cette fonction s'active lorsque la batterie est presque complètement épuisée. L'outil s'arrête alors immédiatement.	Remplacez la batterie par une autre complètement chargée.
S'allume alternativement en rouge et en vert.	Série de courts signaux sonores	Anti-réinitialisation du contrôleur	Cette fonction s'active lorsqu'une baisse anormale de tension survient sur la batterie pour une raison quelconque, et l'outil s'arrête.	Remplacez la batterie par une autre complètement chargée.
		Panne du moteur	Cette fonction s'active en cas de panne du moteur.	Apportez-le dans un centre de service après-vente Makita agréé.
Clignote rapidement en rouge.	Série de courts signaux sonores	Surchauffe	Cette fonction s'active si la température du contrôleur ou du moteur augmente jusqu'à un niveau élevé et l'outil s'arrête.	Retirez immédiatement la batterie et laissez refroidir l'outil.
Clignote alternativement en rouge et en jaune.	Long signal sonore	Avertissement de serrage insuffisant	Le serrage sera insuffisant si vous relâchez la gâchette de l'outil avant l'activation de l'embrayage.	—
		Détection de double frappe	Cette fonction s'active lorsqu'une vis est resserrée après le serrage.	—

011001

Réglage du couple de serrage

Pour serrer des vis de mécanique, des vis à bois, des boulons hexagonaux, etc., avec un couple de serrage donné, procédez au réglage du couple de serrage de la façon suivante.

1. Retirez d'abord la batterie de l'outil.
2. Desserrez et retirez la vis qui retient l'anneau.
(Desserrez deux vis qui retiennent l'anneau uniquement pour le DFL201F) (Fig. 7)
3. Tournez manuellement la bague à l'avant de l'outil de sorte que l'orifice soit visible sous la bague.
4. Mettez la batterie en place et appuyez sur la gâchette. Relâchez la pour que la bague de réglage tourne et que l'orifice devienne visible, tel qu'illustré (Fig. 8). Retirez ensuite la batterie.
5. Utilisez la poignée de réglage en option pour régler le couple de serrage. Insérez la broche de la poignée de réglage dans l'orifice à l'avant de l'outil. Tournez ensuite la poignée de réglage dans le sens des aiguilles d'une montre pour augmenter le couple de serrage, et dans le sens inverse pour le réduire. (Fig. 9)
6. Alignez le bord de la bague de réglage sur le numéro désiré sur l'échelle du couple de serrage.
7. Insérez la batterie et assurez-vous que le couple de serrage est bien réglé, au moyen d'un testeur de couple de serrage.
8. Faites tourner la bague de sorte que l'orifice de la poignée de réglage soit recouvert ; maintenez la bague en place et fixez-la à l'aide de la vis.

NOTE :

- Les numéros inscrits sur l'échelle du couple de serrage permettent d'effectuer un réglage approximatif sur le couple de serrage désiré.

ASSEMBLAGE

⚠ ATTENTION :

- Assurez-vous toujours que l'outil est hors tension et que sa batterie est retirée avant d'effectuer tout travail dessus.

Sélection de la bonne douille

Pour certains modèles il existe différents types de douilles, suivant le travail à effectuer. Veuillez choisir et installer une douille qui convient au travail à effectuer.

Installation et retrait de la douille (Fig. 10)

Pour installer la douille, poussez-la dans le carré conducteur de l'outil à l'aide d'une main tout en appuyant de l'autre main sur la broche du carré conducteur jusqu'à ce que la douille se verrouille en place. Pour retirer la douille, tirez simplement dessus en appuyant sur la broche du carré conducteur.

UTILISATION

Saisissez fermement l'outil et placez la douille sur le boulon ou l'écrou. Mettez ensuite l'outil en marche. Lorsque l'embrayage s'active, le moteur s'arrête automatiquement. Relâchez ensuite la gâchette. (Fig. 11)

NOTE :

- Tenez l'outil en pointant le carré conducteur bien droit sur le boulon ou l'écrou pour éviter d'endommager le boulon ou l'écrou.

Limites de la capacité de serrage

Utilisez l'outil à l'intérieur de sa plage d'angle de rotation, qui s'étend jusqu'à 360°. Si vous utilisez l'outil en dépassant la limite supérieure de cette plage, l'embrayage ne s'active pas. De plus, l'outil ne peut pas fournir un couple de serrage suffisant (le témoin DEL clignote lentement ou s'allume en violet).

NOTE :

- L'angle de rotation fait référence à l'angle sur lequel une vis ou un boulon tourne lorsque l'outil passe de 50% à 100% du couple désiré.
- Lors de l'utilisation de la batterie à basse température, il arrive parfois qu'un témoin d'avertissement et un avertisseur sonore signalent que la batterie est faible et que l'outil doit être arrêté. Dans ce cas, il se peut que la capacité de serrage soit inférieure à celle spécifiée dans ce manuel, même si vous utilisez une batterie chargée.

ENTRETIEN

⚠ ATTENTION :

- Assurez-vous toujours que l'outil est hors tension et que la batterie est retirée avant d'y effectuer tout travail d'inspection ou d'entretien.
- N'utilisez jamais d'essence, benzine, diluant, alcool ou autre produit similaire. Cela risquerait de provoquer la décoloration, la déformation ou la fissuration de l'outil.

Pour maintenir la SÉCURITÉ et la FIABILITÉ du produit, les réparations, travaux d'entretien et autres réglages doivent être effectués dans un centre de service Makita agréé exclusivement avec des pièces de rechange Makita.

ACCESSOIRES EN OPTION

⚠ ATTENTION :

- Ces accessoires ou pièces complémentaires sont recommandés pour l'utilisation avec l'outil Makita spécifié dans ce mode d'emploi. L'utilisation de tout autre accessoire ou pièce complémentaire peut comporter un risque de blessure. N'utilisez les accessoires ou pièces qu'aux fins auxquelles ils ont été conçus.

Si vous désirez obtenir plus de détails concernant ces accessoires, veuillez contacter le centre de service après-vente Makita le plus près.

- Batterie et chargeur Makita authentiques
- Poignée de réglage
- Protecteur
- Ensemble de tête angulaire (Pour modèle DFL201F uniquement)
- Accessoire antirecul

NOTE :

- Il se peut que certains éléments de la liste soient compris dans l'emballage de l'outil en tant qu'accessoires standard. Ils peuvent varier d'un pays à l'autre.

Bruit

Niveau de bruit pondéré A typique, déterminé selon EN62841-2-2 :

Modèle DFL201F, DFL402F

Niveau de pression sonore (L_{pA}) : 72 dB (A)

Incertitude (K) : 3 dB (A)

Le niveau de bruit en fonctionnement peut dépasser 80 dB (A).

Modèle DFL301F

Niveau de pression sonore (L_{pA}) : 74 dB (A)

Incertitude (K) : 3 dB (A)

Le niveau de bruit en fonctionnement peut dépasser 80 dB (A).

ENG907-1

NOTE :

- La ou les valeurs d'émission de bruit déclarées ont été mesurées conformément à la méthode de test standard et peuvent être utilisées pour comparer les outils entre eux.
- La ou les valeurs d'émission de bruit déclarées peuvent aussi être utilisées pour l'évaluation préliminaire de l'exposition.

⚠ AVERTISSEMENT :

- **Portez un serre-tête antibruit.**
- **L'émission de bruit lors de l'usage réel de l'outil électrique peut être différente de la ou des valeurs déclarées, suivant la façon dont l'outil est utilisé, particulièrement selon le type de pièce usinée.**
- **Les mesures de sécurité à prendre pour protéger l'utilisateur doivent être basées sur une estimation de l'exposition dans des conditions réelles d'utilisation (en tenant compte de toutes les composantes du cycle d'utilisation, comme par exemple le moment de sa mise hors tension, lorsqu'il tourne à vide et le moment de son déclenchement).**

ENG900-1

Vibrations

Valeur totale de vibrations (somme de vecteur triaxial) déterminée selon EN62841-2-2 :

Mode de travail : vissage sans impact

Émission de vibrations (a_h) : 2,5 m/s² ou moins

Incertitude (K) : 1,5 m/s²

NOTE :

- La ou les valeurs de vibration totales déclarées ont été mesurées conformément à la méthode de test standard et peuvent être utilisées pour comparer les outils entre eux.
- La ou les valeurs de vibration totales déclarées peuvent aussi être utilisées pour l'évaluation préliminaire de l'exposition.

⚠ AVERTISSEMENT :

- **L'émission de vibrations lors de l'usage réel de l'outil électrique peut être différente de la ou des valeurs déclarées, suivant la façon dont l'outil est utilisé, particulièrement selon le type de pièce usinée.**
- **Les mesures de sécurité à prendre pour protéger l'utilisateur doivent être basées sur une estimation de l'exposition dans des conditions réelles d'utilisation (en tenant compte de toutes les composantes du cycle d'utilisation, comme par exemple le moment de sa mise hors tension, lorsqu'il tourne à vide et le moment de son déclenchement).**

DÉCLARATION DE CONFORMITÉ CE

Pour les pays d'Europe uniquement

La déclaration de conformité CE est fournie en Annexe A à ce mode d'emploi.

Übersicht

1 Roter Teil	8 Lampe	15 Einstellgriff
2 Knopf	9 LED-Anzeige	16 Loch für Einstellgriff
3 Akku	10 Schrauben	17 Gelbe Linie
4 Anzeigelampen	11 Winkelkopf	18 Druckfeder
5 Prüftaste	12 Einstellring	19 Steckschlüssel
6 Ein-Aus-Schalter	13 Ring	20 Loch
7 Drehrichtungsumschalthebel	14 Skala	21 Stift

TECHNISCHE DATEN

Modell		DFL201F	DFL301F	DFL402F
Anzugsmoment	Hartverbindung	8 – 20 N•m	16 – 30 N•m	25 – 40 N•m
	Weichverbindung	8 – 20 N•m	16 – 30 N•m	25 – 40 N•m
Vierkanttrieb		9,5 mm	9,5 mm	9,5 mm
Leerlaufdrehzahl (min ⁻¹)		360	260	200
Gesamtlänge (Abhängig vom Akku)		417 – 429 mm	465 – 477 mm	465 – 477 mm
Nettogewicht		1,5 – 2,1 kg	1,7 – 2,1 kg	1,7 – 2,1 kg
Nennspannung		DC 14,4 V		

- Aufgrund unseres Dauerprogramms der Forschung und Entwicklung unterliegen die hier angegebenen technischen Daten Änderung ohne Vorankündigung.
- Die technischen Daten können von Land zu Land abweichen.
- Das Gewicht kann je nach dem Aufsatz bzw. den Aufsätzen, einschließlich des Akkus, unterschiedlich sein. Die leichteste und die schwerste Kombination nach dem EPTA-Verfahren 01/2014 sind in der Tabelle angegeben.

Zutreffende Akkus und Ladegeräte

Akku	BL1415N / BL1415NA / BL1430 / BL1430B / BL1440 / BL1450 / BL1460A / BL1460B
Ladegerät	DC18RC / DC18RD / DC18RE / DC18SD / DC18SE / DC18SF

- Einige der oben aufgeführten Akkus und Ladegeräte sind je nach Ihrem Wohngebiet eventuell nicht erhältlich.

⚠️ WARNUNG: Verwenden Sie nur die oben aufgeführten Akkus und Ladegeräte. Bei Verwendung anderer Akkus und Ladegeräte besteht Verletzungs- und/oder Brandgefahr.

ENE033-1

GE139-1

Vorgesehene Verwendung

Die Maschine ist für das Eindrehen von Schrauben in Holz, Metall und Kunststoff vorgesehen.

GEA010-2

Allgemeine Sicherheitswarnungen für Elektrowerkzeuge

⚠️ WARNUNG Lesen Sie alle mit diesem Elektrowerkzeug gelieferten Sicherheitswarnungen, Anweisungen, Abbildungen und technischen Daten durch. Eine Missachtung der unten aufgeführten Anweisungen kann zu einem elektrischen Schlag, Brand und/oder schweren Verletzungen führen.

Bewahren Sie alle Warnungen und Anweisungen für spätere Bezugnahme auf.

Der Ausdruck „Elektrowerkzeug“ in den Warnhinweisen bezieht sich auf Ihr mit Netzstrom (mit Kabel) oder Akku (ohne Kabel) betriebenes Elektrowerkzeug.

SICHERHEITSWARNUNGEN FÜR AKKU-SCHRAUBER

1. Halten Sie das Elektrowerkzeug nur an den isolierten Griffflächen, wenn Sie Arbeiten ausführen, bei denen die Gefahr besteht, dass das Befestigungselement verborgene Kabel kontaktiert. Bei Kontakt mit einem Strom führenden Kabel können die freiliegenden Metallteile des Elektrowerkzeugs ebenfalls Strom führend werden, so dass der Benutzer einen elektrischen Schlag erleiden kann.
2. Achten Sie stets auf sicheren Stand. Vergewissern Sie sich bei Einsatz des Werkzeugs an hochgelegenen Arbeitsplätzen, dass sich keine Personen darunter aufhalten.
3. Halten Sie das Werkzeug mit festem Griff.
4. Halten Sie Ihre Hände von rotierenden Teilen fern.

5. Vermeiden Sie eine Berührung des Einsatzes oder des Werkstücks unmittelbar nach der Bearbeitung, weil die Teile noch sehr heiß sind und Hautverbrennungen verursachen können.
6. Spannen Sie Werkstücke stets in einen Schraubstock oder eine ähnliche Aufspannvorrichtung ein.

DIESE ANWEISUNGEN AUFBEWAHREN.

WARNUNG:

Lassen Sie sich NICHT durch Bequemlichkeit oder Vertrautheit mit dem Produkt (durch wiederholten Gebrauch erworben) von der strikten Einhaltung der Sicherheitsregeln für das vorliegende Produkt abhalten. MISSBRAUCH oder Missachtung der Sicherheitsvorschriften in dieser Anleitung können schwere Verletzungen verursachen.

ENC007-12

WICHTIGE SICHERHEITSSANWEISUNGEN FÜR AKKU

1. Lesen Sie vor der Benutzung des Akkus alle Anweisungen und Warnhinweise, die an (1) Ladegerät, (2) Akku und (3) Akkuwerkzeug angebracht sind.
2. Unterlassen Sie ein Zerlegen des Akkus.
3. Falls die Betriebszeit beträchtlich kürzer geworden ist, stellen Sie den Betrieb sofort ein. Andernfalls besteht die Gefahr von Überhitzung, möglichen Verbrennungen und sogar einer Explosion.
4. Falls Elektrolyt in Ihre Augen gelangt, waschen Sie sie mit sauberem Wasser aus, und begeben Sie sich unverzüglich in ärztliche Behandlung. Andernfalls können Sie Ihre Sehkraft verlieren.
5. Der Akku darf nicht kurzgeschlossen werden:
 - (1) Die Kontakte dürfen nicht mit leitfähigem Material berührt werden.
 - (2) Lagern Sie den Akku nicht in einem Behälter zusammen mit anderen Metallgegenständen, wie z. B. Nägel, Münzen usw.
 - (3) Setzen Sie den Akku weder Wasser noch Regen aus.

Ein Kurzschluss des Akkus verursacht starken Stromfluss, der Überhitzung, mögliche Verbrennungen und einen Defekt zur Folge haben kann.
6. Lagern Sie das Werkzeug und den Akku nicht an Orten, an denen die Temperatur 50°C erreichen oder überschreiten kann.
7. Versuchen Sie niemals, den Akku zu verbrennen, selbst wenn er stark beschädigt oder vollkommen verbraucht ist. Der Akku kann im Feuer explodieren.
8. Achten Sie darauf, dass der Akku nicht fallen gelassen oder Stößen ausgesetzt wird.
9. Benutzen Sie keine beschädigten Akkus.

10. Die enthaltenen Lithium-Ionen-Akkus unterliegen den Anforderungen der Gefahrgut-Gesetzgebung.

Für kommerzielle Transporte, z. B. durch Dritte oder Spediteure, müssen besondere Anforderungen zu Verpackung und Etikettierung beachtet werden. Zur Vorbereitung des zu transportierenden Artikels ist eine Beratung durch einen Experten für Gefahrgut erforderlich. Bitte beachten Sie möglicherweise ausführlichere nationale Vorschriften.

Überkleben oder verdecken Sie offene Kontakte, und verpacken Sie den Akku so, dass er sich in der Verpackung nicht umher bewegen kann.

11. Befolgen Sie die örtlichen Bestimmungen bezüglich der Entsorgung von Akkus.
12. Verwenden Sie die Akkus nur mit den von Makita angegebenen Produkten. Das Einsetzen der Akkus in nicht konforme Produkte kann zu einem Brand, übermäßiger Hitzebildung, einer Explosion oder Auslaufen von Elektrolyt führen.

DIESE ANWEISUNGEN AUFBEWAHREN.

VORSICHT:

Verwenden Sie nur Original-Makita-Akkus. Die Verwendung von Nicht-Original-Makita-Akkus oder von Akkus, die abgeändert worden sind, kann zum Bersten des Akkus und daraus resultierenden Bränden, Personenschäden und Beschädigung führen. Außerdem wird dadurch die Makita-Garantie für das Makita-Werkzeug und -Ladegerät ungültig.

Hinweise zur Aufrechterhaltung der maximalen Akku-Nutzungsdauer

1. Laden Sie den Akku, bevor er vollkommen erschöpft ist. Schalten Sie das Werkzeug stets aus, und laden Sie den Akku, wenn Sie ein Nachlassen der Werkzeugleistung feststellen.
2. Unterlassen Sie erneutes Laden eines voll aufgeladenen Akkus. Überladen führt zu einer Verkürzung der Nutzungsdauer des Akkus.
3. Laden Sie den Akku bei Raumtemperatur zwischen 10 – 40°C. Lassen Sie einen heißen Akku abkühlen, bevor Sie ihn laden.
4. Der Akku muss geladen werden, wenn er lange Zeit (länger als sechs Monate) nicht benutzt wird.

FUNKTIONSBESCHREIBUNG

VORSICHT:

• Vergewissern Sie sich vor der Durchführung von Einstellungen oder Funktionsprüfungen der Maschine stets, dass die Maschine ausgeschaltet und der Akku abgenommen ist.

Anbringen und Abnehmen des Akkus (Abb. 1)

- Schalten Sie die Maschine stets aus, bevor Sie den Akku anbringen oder abnehmen.
- Ziehen Sie den Akku zum Abnehmen von der Maschine ab, während Sie den Entriegelungsknopf an der Vorderseite verschieben.

- Richten Sie zum Einsetzen des Akkus dessen Führungsfeder auf die Nut im Maschinengehäuse aus, und schieben Sie den Akku hinein. Schieben Sie den Akku stets vollständig ein, bis er mit einem hörbaren Klicken einrastet. Wenn der rote Teil an der Oberseite des Knopfes sichtbar ist, ist der Akku nicht richtig eingerastet. Schieben Sie den Akku vollständig ein, bis der rote Teil verschwindet. Anderenfalls kann er aus der Maschine herausfallen und Sie oder umstehende Personen verletzen.
- Wenden Sie beim Einsetzen des Akkus keine Gewalt an. Falls der Akku nicht reibungslos hineingleitet, ist er nicht richtig ausgerichtet.

Prüfen der Akku-Restladung (BL1460A) (Abb. 2)

HINWEIS:

- Abhängig von den Benutzungsbedingungen und der Umgebungstemperatur kann die Anzeige geringfügig von der tatsächlichen Kapazität abweichen.

Beim Laden

Zu Beginn des Ladevorgangs beginnt die erste (linke) Anzeigenleuchte zu flackern. Mit fortschreitendem Ladevorgang leuchten die anderen Lampen nach und nach auf und zeigen den Ladezustand an.

HINWEIS:

- Falls die Anzeigelampe beim Laden nicht aufleuchtet oder flackert, ist der Akku möglicherweise defekt. Wenden Sie sich in diesem Fall an Ihr lokales Kundenzentrum.

Im Gebrauch

Wenn das Werkzeug eingeschaltet wird, leuchten die Lampen auf, um die Akku-Restkapazität anzuzeigen.

Wenn das Werkzeug ausgeschaltet wird, erlischt die Lampe nach ca. 5 Sekunden.

Wenn Sie die Prüftaste bei ausgeschaltetem Werkzeug drücken, leuchten die Anzeigelampen ca. 5 Sekunden lang auf, um die Akkukapazität anzuzeigen.

Falls die orangefarbene Lampe flackert, bleibt das Werkzeug wegen geringer Akku-Restkapazität stehen (Abschaltautomatik). Laden Sie in diesem Fall den Akku auf, oder verwenden Sie einen geladenen Akku.

Wenn das Werkzeug mit einem längere Zeit unbenutzten Akku verwendet und eingeschaltet wird, leuchten u. U. keine Lampen auf. In diesem Fall schaltet sich das Werkzeug wegen geringer Akku-Restkapazität aus. Laden Sie den Akku ordnungsgemäß auf.

Schalterfunktion (Abb. 3)

⚠ VORSICHT:

- Vergewissern Sie sich vor dem Einsetzen des Akkus in die Maschine stets, dass der Ein-Aus-Schalter ordnungsgemäß funktioniert und beim Loslassen in die AUS-Stellung zurückkehrt.

Zum Einschalten der Maschine drücken Sie einfach den Ein-Aus-Schalter. Zum Ausschalten lassen Sie den Ein-Aus-Schalter los.

Drehrichtungsumschalterfunktion (Abb. 4)

⚠ VORSICHT:

- Prüfen Sie stets die Drehrichtung, bevor Sie mit der Arbeit beginnen.
- Betätigen Sie den Drehrichtungsumschalter erst, nachdem die Maschine völlig zum Stillstand gekommen ist. Durch Umschalten der Drehrichtung bei noch laufender Maschine kann die Maschine beschädigt werden.

- Wenn Sie die Maschine nicht benutzen, stellen Sie den Drehrichtungsumschalter stets auf die Neutralstellung.

Diese Maschine besitzt einen Drehrichtungsumschalter. Drücken Sie auf die Seite A des Drehrichtungsumschalters für Rechtsdrehung, und auf die Seite B für Linksdrehung.

In der Neutralstellung des Drehrichtungsumschalters ist der Ein-Aus-Schalter verriegelt.

Aufleuchten der Lampen (Abb. 5)

⚠ VORSICHT:

- Blicken Sie nicht direkt in das Licht oder die Lichtquelle.

Betätigen Sie den Ein-Aus-Schalter, um die Lampe einzuschalten. Die Lampe bleibt erleuchtet, solange der Ein-Aus-Schalter gedrückt gehalten wird. Die Lampe erlischt etwa 10 Sekunden nach dem Loslassen des Ein-Aus-Schalters automatisch.

HINWEIS:

- Wischen Sie Schmutz auf der Lampenlinse mit einem trockenen Tuch ab. Achten Sie sorgfältig darauf, dass Sie die Lampenlinse nicht verkratzen, weil sich sonst die Lichtstärke verringert.

LED-Anzeige / Pieptongebber (Abb. 6)

LED-Anzeige / Pieptongebber an der Maschine zeigen die folgenden Funktionen an.

Zustand von LED-Anzeige/Pieptongebber		Funktion	Zustand	Maßnahme
LED-Anzeige	Pieptongebber			
Leuchtet der Reihe nach in Grün → Rot → Blau → Weiß auf.	Eine Folge sehr kurzer Pieptöne	Überprüfung von LED, Leuchte und Pieptongebber (bei der ersten Betätigung des Ein-Aus-Schalters nach dem Einsetzen eines Akkus in die Maschine).	Sicherstellen, dass die grüne, rote, blaue, weiße LED aufleuchtet und der Pieptongebber ordnungsgemäß ertönt.	—
Leuchtet etwa eine Sekunde lang in Grün auf.	—	Anzugs-Abschaltautomatik	Diese Funktion wird aktiviert, wenn die Maschine das vorgegebene Anzugsmoment erreicht hat und der normale Anzugsvorgang beendet ist, um Überdrehen zu verhindern.	—
Blinkt langsam in Violett.	Eine Folge langer Pieptöne	Warnung für Akkukapazität	Zeigt die angemessene Zeit zum Auswechseln des Akkus an, wenn die Akkuleistung nachlässt.	Den Akku durch einen voll aufgeladenen ersetzen.
Leuchtet in Violett auf.	Langer Piepton	Überprüfen der Akku-Restkapazität, Abschaltautomatik	Diese Funktion wird aktiviert, wenn der Akku nahezu erschöpft ist. Dabei bleibt die Maschine unverzüglich stehen.	Den Akku durch einen voll aufgeladenen ersetzen.
Leuchtet abwechselnd in Rot und Grün auf.	Eine Folge kurzer Pieptöne	Anti-Rücksetzung der Steuerung	Diese Funktion wird aktiviert, wenn aus irgendeinem Grund ein ungewöhnlicher Akkuspannungsabfall auftritt und die Maschine anhält.	Den Akku durch einen voll aufgeladenen ersetzen.
		Motorausfall	Diese Funktion wird bei einem Motorausfall wirksam.	Bringen Sie die Maschine zu einem autorisierten Makita-Kundendienstzentrum.
Blinkt schnell in Rot.	Eine Folge kurzer Pieptöne	Überhitzen	Diese Funktion ist wirksam, wenn die Temperatur des Steuergerätes oder Motors auf einen hohen Wert steigt und die Maschine stehen bleibt.	Den Akku sofort abnehmen, und die Maschine abkühlen lassen.
Blinkt abwechselnd in Rot und Gelb.	Langer Piepton	Warnung vor unzureichender Befestigung	Die Befestigung wird beendet, wenn der Ein-Aus-Schalter der Maschine vor der Kupplungsaktivierung losgelassen wird.	—
		Doppelanzugserkennung	Diese Funktion wird wirksam, wenn eine bereits angezogene Schraube erneut angezogen wird.	—

011001

Einstellen des Anzugsmoments

Wenn Sie Maschinenschrauben, Holzschrauben, Sechskantschrauben usw. mit vorgegebenem Drehmoment anziehen wollen, stellen Sie das Anzugsmoment wie folgt ein.

1. Nehmen Sie zuerst den Akku von der Maschine ab.
2. Lösen und entfernen Sie die Schraube, die den Ring sichert.
(Nur für DFL201F die zwei Schrauben lösen, die den Ring sichert) (**Abb. 7**)
3. Drehen Sie den Ring am Vorderende der Maschine von Hand, so dass ein Loch unter dem Ring sichtbar wird.
4. Bringen Sie den Akku an, und drücken Sie den Ein-Aus-Schalter. Lassen Sie den Schalter los, so dass der Einsteller sich dreht und das Loch sichtbar wird, wie in der Abbildung dargestellt (**Abb. 8**). Nehmen Sie dann den Akku ab.
5. Benutzen Sie den gesonderten Einstellknopf zur Einstellung des Anzugsmoments. Führen Sie den Stift des Einstellknopfes in das Loch an der Vorderseite der Maschine ein. Drehen Sie dann den Einstellknopf im Uhrzeigersinn, um das Anzugsmoment zu erhöhen, oder entgegen dem Uhrzeigersinn, um das Anzugsmoment zu verringern. (**Abb. 9**)
6. Richten Sie die Kante des Einstellers auf die gewünschte Zahl der Anzugsmomentskala aus.
7. Setzen Sie den Akku ein, und vergewissern Sie sich mit Hilfe eines Anzugsmomentprüfers, dass das korrekte Anzugsmoment eingestellt worden ist.
8. Drehen Sie den Ring so, dass das Loch für den Einstellgriff verdeckt ist. Halten Sie dann den Ring fest, und sichern Sie ihn mit der Schraube.

HINWEIS:

- Die Nummern auf der Anzugsmomentskala dienen lediglich als Anhaltspunkte für die Einstellung des gewünschten Anzugsmoments.

MONTAGE

⚠ VORSICHT:

- Vergewissern Sie sich vor der Ausführung von Arbeiten an der Maschine stets, dass die Maschine ausgeschaltet und der Akku abgenommen ist.

Wahl des korrekten Steckschlüsseleinsatzes

Je nach Anwendung sind für manche Modelle unterschiedliche Steckschlüsseleinsätze erhältlich. Wählen und installieren Sie den korrekten Steckschlüsseleinsatz für Ihre Anwendung.

Anbringen und Abnehmen des Steckschlüsseleinsatzes (Abb. 10)

Drücken Sie den Stift am Antriebsvierkant mit der einen Hand hinein, und schieben Sie den Steckschlüsseleinsatz zum Anbringen mit der anderen Hand auf den Antriebsvierkant der Maschine, bis er einrastet. Zum Abnehmen ziehen Sie den Steckschlüsseleinsatz einfach ab, während Sie den Stift am Antriebsvierkant hineindrücken.

BETRIEB

Halten Sie die Maschine mit festem Griff, und setzen Sie den Steckschlüsseleinsatz auf die Schraube oder Mutter. Schalten Sie dann die Maschine ein. Wenn die Kupplung ausrückt, bleibt der Motor automatisch stehen. Lassen Sie dann den Ein-Aus-Schalter los. (**Abb. 11**)

HINWEIS:

- Halten Sie die Maschine so, dass sein Vierkantantrieb gerade auf die Schraube oder Mutter gerichtet ist, weil anderenfalls die Schraube oder Mutter beschädigt wird.

Grenzen der Anzugskapazität

Benutzen Sie die Maschine innerhalb des Drehwinkelbereichs von bis zu 360°. Wird die Maschine oberhalb der Obergrenze dieses Bereichs benutzt, funktioniert die Kupplung nicht. Außerdem kann die Maschine kein ausreichendes Anzugsmoment entwickeln (LED blinkt langsam in Violett oder leuchtet in Violett auf).

HINWEIS:

- Unter dem Drehwinkel versteht man den Winkel, um den sich eine Schraube dreht, wenn die Maschine 50 bis 100% des gewünschten Drehmoments erreicht.
- Bei Verwendung eines an niedrige Temperaturen angepassten Akkus kann manchmal eine Akkukapazitätswarnung durch Warnlampe und Pieptongerät ausgelöst werden, wodurch die Maschine sofort angehalten wird. In diesem Fall kann die Anzugskapazität unter der Spezifikation in dieser Anleitung liegen, selbst wenn ein voll aufgeladener Akku verwendet wird.

WARTUNG

⚠ VORSICHT:

- Vergewissern Sie sich vor der Durchführung von Inspektions- oder Wartungsarbeiten stets, dass die Maschine ausgeschaltet und der Akku abgenommen ist.
- Verwenden Sie auf keinen Fall Benzin, Benzol, Verdünnern, Alkohol oder dergleichen. Solche Mittel können Verfärbung, Verformung oder Rissbildung verursachen.

Um die SICHERHEIT und ZUVERLÄSSIGKEIT dieses Produkts zu gewährleisten, sollten Reparaturen und andere Wartungs- oder Einstellarbeiten nur von Makita-Kundendienstzentren unter ausschließlicher Verwendung von Makita-Originalersatzteilen ausgeführt werden.

SONDERZUBEHÖR

⚠ VORSICHT:

- Die folgenden Zubehörteile oder Vorrichtungen werden für den Einsatz mit der in dieser Anleitung beschriebenen Makita-Maschine empfohlen. Die Verwendung anderer Zubehörteile oder Vorrichtungen kann eine Verletzungsgefahr darstellen. Verwenden Sie Zubehörteile oder Vorrichtungen nur für ihren vorgesehenen Zweck.

Wenn Sie weitere Einzelheiten bezüglich dieser Zubehörteile benötigen, wenden Sie sich bitte an Ihre Makita-Kundendienststelle.

- Original-Makita-Akku und -Ladegerät
- Einstellgriff
- Schutzkappe
- Winkelkopfsatz (Nur für Modell DFL201F)
- Rückschlagsicherungsaufsatz

HINWEIS:

- Manche Teile in der Liste können als Standardzubehör im Werkzeugsatz enthalten sein. Sie können von Land zu Land unterschiedlich sein.

Geräusch

Typischer A-bewerteter Geräuschpegel ermittelt gemäß EN62841-2-2:

Modell DFL201F, DFL402F

Schalldruckpegel (L_{pA}): 72 dB (A)

Ungewissheit (K): 3 dB (A)

Der Lärmpegel kann während des Betriebs 80 dB (A) überschreiten.

Modell DFL301F

Schalldruckpegel (L_{pA}): 74 dB (A)

Ungewissheit (K): 3 dB (A)

Der Lärmpegel kann während des Betriebs 80 dB (A) überschreiten.

ENG907-1

HINWEIS:

- Der (Die) angegebene(n) Schallemissionswert(e) wurde(n) im Einklang mit der Standardprüfmethode gemessen und kann (können) für den Vergleich zwischen Werkzeugen herangezogen werden.
- Der (Die) angegebene(n) Schallemissionswert(e) kann (können) auch für eine Vorbewertung des Gefährdungsgrads verwendet werden.

WARNUNG:

- Einen Gehörschutz tragen.
- Die Schallemission während der tatsächlichen Benutzung des Elektrowerkzeugs kann je nach der Benutzungsweise des Werkzeugs, und speziell je nach der Art des bearbeiteten Werkstücks, von dem (den) angegebenen Wert(en) abweichen.
- Identifizieren Sie Sicherheitsmaßnahmen zum Schutz des Benutzers anhand einer Schätzung des Gefährdungsgrads unter den tatsächlichen Benutzungsbedingungen (unter Berücksichtigung aller Phasen des Arbeitszyklus, wie z. B. Ausschalt- und Leerlaufzeiten des Werkzeugs zusätzlich zur Betriebszeit).

ENG900-1

Vibration

Vibrationsgesamtwert (Drei-Achsen-Vektorsumme) ermittelt gemäß EN62841-2-2:

Arbeitsmodus: Schraubetrieb ohne Schlag

Vibrationsemission (a_h): 2,5 m/s² oder weniger

Ungewissheit (K): 1,5 m/s²

HINWEIS:

- Der (Die) angegebene(n) Vibrationsgesamtwert(e) wurde(n) im Einklang mit der Standardprüfmethode gemessen und kann (können) für den Vergleich zwischen Werkzeugen herangezogen werden.
- Der (Die) angegebene(n) Vibrationsgesamtwert(e) kann (können) auch für eine Vorbewertung des Gefährdungsgrads verwendet werden.

WARNUNG:

- Die Vibrationsemission während der tatsächlichen Benutzung des Elektrowerkzeugs kann je nach der Benutzungsweise des Werkzeugs, und speziell je nach der Art des bearbeiteten Werkstücks, von dem (den) angegebenen Emissionswert(en) abweichen.
- Die Vibrationsemission während der tatsächlichen Benutzung des Elektrowerkzeugs kann je nach der Benutzungsweise des Werkzeugs, und speziell je nach der Art des bearbeiteten Werkstücks, von dem (den) angegebenen Wert(en) abweichen.
- Identifizieren Sie Sicherheitsmaßnahmen zum Schutz des Benutzers anhand einer Schätzung des Gefährdungsgrads unter den tatsächlichen Benutzungsbedingungen (unter Berücksichtigung aller Phasen des Arbeitszyklus, wie z. B. Ausschalt- und Leerlaufzeiten des Werkzeugs zusätzlich zur Betriebszeit).

EG-KONFORMITÄTSERKLÄRUNG

Nur für europäische Länder

Die EG-Konformitätserklärung ist als Anhang A in dieser Bedienungsanleitung enthalten.

Visione generale

1 Parte rossa	9 Indicatore a LED	16 Foro impugnatura di regolazione
2 Bottone	10 Viti	17 Linea gialla
3 Cartuccia della batteria	11 Testa angolare	18 Molla di compressione
4 Indicatori luminosi	12 Anello di regolazione	19 Bussola
5 Pulsante di controllo	13 Anello	20 Foro
6 Grilletto dell'interruttore	14 Scala	21 Perno
7 Leva interruttore di inversione	15 Impugnatura di regolazione	
8 Lampadina		

DATI TECNICI

Modello		DFL201F	DFL301F	DFL402F
Coppia di serraggio	Giunto duro	8 – 20 N•m	16 – 30 N•m	25 – 40 N•m
	Giunto morbido	8 – 20 N•m	16 – 30 N•m	25 – 40 N•m
Cacciavite quadrato		9,5 mm	9,5 mm	9,5 mm
Velocità senza carico (min ⁻¹)		360	260	200
Lunghezza complessiva (A seconda della batteria)		417 – 429 mm	465 – 477 mm	465 – 477 mm
Peso netto		1,5 – 2,1 kg	1,7 – 2,1 kg	1,7 – 2,1 kg
Tensione nominale		C.c. 14,4 V		

- Per il nostro continuo programma di ricerca e sviluppo, i presenti dati tecnici sono soggetti a cambiamenti senza avviso.
- I dati tecnici potrebbero differire a seconda del paese di destinazione del modello.
- Il peso può variare a seconda dell'accessorio o degli accessori, inclusa la cartuccia della batteria. La combinazione più leggera e quella più pesante, in base alla Procedura EPTA 01/2014, sono indicate nella tabella.

Cartuccia batteria e caricatore applicabili

Cartuccia batteria	BL1415N / BL1415NA / BL1430 / BL1430B / BL1440 / BL1450 / BL1460A / BL1460B
Caricatore	DC18RC / DC18RD / DC18RE / DC18SD / DC18SE / DC18SF

- Alcune delle cartucce batterie e dei caricatori elencati sopra potrebbero non essere disponibili, a seconda della propria area geografica di residenza.

⚠ AVVERTIMENTO: utilizzare solo le cartucce batterie e i caricatori elencati sopra. L'utilizzo di cartucce batterie e caricatori diversi potrebbe causare lesioni personali e/o incendi.

ENE033-1

GEB139-1

Utilizzo prefissato

L'utensile serve ad avvitare nel legno, metallo e plastica.

GEA010-2

AVVERTENZE DI SICUREZZA RELATIVE ALL'AVVITATORE A BATTERIA

Avvertenze generali relative alla sicurezza dell'utensile elettrico

⚠ AVVERTIMENTO Leggere tutte le avvertenze di sicurezza, le istruzioni, le illustrazioni e i dati tecnici forniti con il presente utensile elettrico. La mancata osservanza di tutte le istruzioni elencate di seguito potrebbe risultare in scosse elettriche, incendi e/o gravi lesioni personali.

Conservare tutte le avvertenze e le istruzioni come riferimento futuro.

Il termine "utensile elettrico" nelle avvertenze si riferisce sia all'utensile elettrico (cablato) nel funzionamento alimentato da rete elettrica che all'utensile elettrico (a batteria) nel funzionamento alimentato a batteria.

- 1. Mantenere l'utensile per le superfici di impugnatura isolate, quando si intende eseguire un'operazione in cui l'elemento di fissaggio potrebbe entrare in contatto con cablaggi nascosti.** Gli elementi di fissaggio che entrino in contatto con un filo elettrico sotto tensione potrebbero mettere sotto tensione le parti metalliche esposte dell'utensile elettrico, e potrebbero dare una scossa elettrica all'operatore.
- 2. Accertarsi sempre di appoggiare i piedi saldamente.** Quando si intende utilizzare l'utensile in posizioni elevate, accertarsi sempre che non sia presente alcuna persona sotto di sé.
- 3. Tenere saldamente l'utensile.**
- 4. Tenere le mani lontane dalle parti rotanti.**

5. Non toccare la punta o il pezzo in lavorazione subito dopo l'uso; la loro temperatura potrebbe essere estremamente elevata e potrebbero causare ustioni.
6. Fissare sempre il pezzo in lavorazione in una morsa o in un dispositivo di fissaggio simile.

CONSERVARE LE PRESENTI ISTRUZIONI.

⚠ AVVERTIMENTO:

NON lasciare che la comodità o la familiarità d'uso con il prodotto (acquisita con l'uso ripetuto) sostituiscano la stretta osservanza delle norme di sicurezza.

L'USO IMPROPRIO o la mancata osservanza delle norme di sicurezza riportate nel presente manuale di istruzioni potrebbero causare lesioni personali gravi.

ENC007-12

ISTRUZIONI DI SICUREZZA IMPORTANTI PER LA CARTUCCIA DELLA BATTERIA

1. Prima di utilizzare la cartuccia della batteria, leggere tutte le istruzioni e le avvertenze riportate (1) sul caricabatteria, (2) sulla batteria e (3) sul prodotto che utilizza la batteria.
2. Non smontare la cartuccia della batteria.
3. Qualora il tempo di utilizzo si riduca eccessivamente, interrompere immediatamente l'utilizzo dell'utensile. In caso contrario, si può incorrere nel rischio di surriscaldamento, possibili ustioni e persino un'esplosione.
4. Qualora l'elettrolita entri in contatto con gli occhi, sciacquarli con acqua pulita e richiedere immediatamente assistenza medica. Questa eventualità può risultare nella perdita della vista.
5. Non cortocircuitare la cartuccia della batteria:
 - (1) Non toccare i terminali con alcun materiale conduttivo.
 - (2) Evitare di conservare la cartuccia della batteria in un contenitore insieme ad altri oggetti metallici quali chiodi, monete, e così via.
 - (3) Non esporre la cartuccia della batteria all'acqua o alla pioggia.

Un cortocircuito della batteria può causare un grande flusso di corrente, un surriscaldamento, possibili ustioni e persino un guasto.

6. Non conservare l'utensile e la cartuccia della batteria in ubicazioni in cui la temperatura possa raggiungere o superare i 50°C.
7. Non incenerire la cartuccia della batteria anche qualora sia gravemente danneggiata o completamente esaurita. La cartuccia della batteria può esplodere se a contatto con il fuoco.
8. Fare attenzione a non far cadere e a non colpire la batteria.
9. Non utilizzare una batteria danneggiata.

10. Le batterie a ioni di litio contenute sono soggette ai requisiti del regolamento sul trasporto di merci pericolose (Dangerous Goods Legislation).

Per trasporti commerciali, ad esempio da parte di terzi o spedizionieri, è necessario osservare dei requisiti speciali sull'imballaggio e sull'etichetta.

Per la preparazione dell'articolo da spedire, è richiesta la consulenza di un esperto in materiali pericolosi. Attenersi anche alle normative nazionali, che potrebbero essere più dettagliate.

Nastrare o coprire i contatti aperti e imballare la batteria in modo tale che non si possa muovere liberamente all'interno dell'imballaggio.

11. **Attenersi alle normative locali relative allo smaltimento della batteria.**
12. **Utilizzare le batterie esclusivamente con i prodotti specificati da Makita.** L'installazione delle batterie in prodotti non compatibili potrebbe risultare in incendi, calore eccessivo, esplosioni o perdite di liquido elettrolitico.

CONSERVARE LE PRESENTI ISTRUZIONI.

⚠ ATTENZIONE:

Utilizzare solo batterie originali Makita. L'utilizzo di batterie Makita non originali, o di batterie che siano state alterate, potrebbe risultare nello scoppio della batteria, causando incendi, lesioni personali e danni. Inoltre, ciò potrebbe invalidare la garanzia Makita per l'utensile e il caricabatterie Makita.

Suggerimenti per preservare la durata massima della batteria

1. Caricare la cartuccia della batteria prima che si scarichi completamente. Smettere sempre di utilizzare l'utensile e caricare la cartuccia della batteria quando si nota che la potenza dell'utensile è diminuita.
2. Non ricaricare mai una cartuccia della batteria completamente carica. La sovraccarica riduce la vita utile della batteria.
3. Caricare la cartuccia della batteria a una temperatura ambiente compresa tra 10°C e 40°C. Lasciar raffreddare una cartuccia della batteria prima di caricarla.
4. Caricare la cartuccia della batteria se non la si è utilizzata per un periodo di tempo prolungato (più di sei mesi).

DESCRIZIONE FUNZIONALE

⚠ ATTENZIONE:

- Accertarsi sempre che l'utensile sia spento e che la batteria sia stata rimossa prima di regolare o di controllare il funzionamento dell'utensile.

Installazione o rimozione della batteria (Fig. 1)

- Spegnerne sempre l'utensile prima di inserire o di rimuovere la batteria.
- Per rimuovere la batteria, estrarla dall'utensile spingendo il bottone sulla parte anteriore della batteria.

- Per inserire la batteria, allineare la linguetta della batteria con la scanalatura dell'alloggiamento e spingerla in posizione. Inserirla sempre completamente finché si blocca in posizione con un piccolo scatto. Se la parte rossa sul lato superiore del bottone è visibile, vuol dire che essa non è fissata completamente. Inserirla completamente finché la parte rossa non è più visibile. In caso contrario, potrebbe cadere accidentalmente fuori dall'utensile causando lesioni all'operatore o a chi gli è vicino.
- Non usare forza per inserire la batteria. Se essa non entra facilmente, vuol dire che non viene inserita correttamente.

Controllo della carica residua della batteria (BL1460A) (Fig. 2)

NOTA:

- A seconda delle condizioni d'uso e della temperatura ambiente, l'indicazione potrebbe variare leggermente rispetto alla carica effettiva.

Durante la ricarica

Quando ha inizio la ricarica, il primo indicatore luminoso (all'estremità sinistra) inizia a sfarfallare. Quindi, man mano che la ricarica procede, gli altri indicatori luminosi si illuminano, uno dopo l'altro, per indicare il livello di carica della batteria.

NOTA:

- Qualora l'indicatore luminoso non si accenda né sfarfalli durante la ricarica, la batteria potrebbe essere difettosa. In questo caso, rivolgersi al proprio centro di assistenza locale.

Durante l'uso

Quando si accende l'utensile, gli indicatori luminosi si illuminano per indicare la carica residua della batteria.

Quando si spegne l'utensile, la luce si spegne dopo circa 5 secondi.

Quando si preme il pulsante di controllo con l'utensile spento, gli indicatori luminosi si accendono per circa 5 secondi per mostrare la carica della batteria.

Qualora l'indicatore luminoso arancione sfarfalli, l'utensile si arresta a causa della bassa carica residua della batteria (meccanismo di arresto automatico). A questo punto, caricare la cartuccia della batteria o utilizzare una cartuccia della batteria caricata.

Quando si accende l'utensile utilizzandolo con una batteria che non sia stata utilizzata per un periodo di tempo prolungato, potrebbe non accendersi alcun indicatore luminoso. In questa circostanza, l'utensile si arresta a causa della bassa carica residua della batteria. Caricare la batteria correttamente.

Azionamento dell'interruttore (Fig. 3)

⚠ ATTENZIONE:

- Prima di inserire la batteria nell'utensile, controllare sempre che il grilletto dell'interruttore funzioni correttamente e che torni sulla posizione "OFF" quando viene rilasciato.

Per avviare l'utensile, schiacciare semplicemente il grilletto dell'interruttore. Rilasciare il grilletto dell'interruttore per fermarlo.

Azionamento dell'interruttore di inversione (Fig. 4)

⚠ ATTENZIONE:

- Controllare sempre la direzione di rotazione prima dell'utilizzo.
- Usare la leva interruttore di inversione soltanto dopo che l'utensile si è arrestato completamente. Cambiando la direzione di rotazione prima dell'arresto dell'utensile, lo si potrebbe danneggiare.
- Quando non si usa l'utensile, regolare sempre la leva interruttore di inversione sulla posizione neutra.

Questo utensile è dotato di un interruttore di inversione per cambiare la direzione di rotazione. Schiacciare la leva interruttore di inversione dal lato A per la rotazione in senso orario, e dal lato B per la rotazione in senso antiorario.

Quando la leva interruttore di inversione è sulla posizione neutra, il grilletto dell'interruttore non può essere schiacciato.

Accensione della lampadina (Fig. 5)

⚠ ATTENZIONE:

- Non guardare direttamente la lampadina o la sorgente della luce.

Schiacciare il grilletto dell'interruttore per accendere la lampadina. La lampadina rimane accesa mentre il grilletto dell'interruttore è schiacciato. La lampadina si spegne automaticamente 10 secondi dopo che il grilletto dell'interruttore è stato rilasciato.

NOTA:

- Usare un panno asciutto per pulire la lente della lampadina. Fare attenzione a non graffiare la lente della lampadina, perché ciò potrebbe ridurre l'illuminazione.

Indicatore a LED/cicalino (Fig. 6)

L'indicatore a LED/cicalino sull'utensile mostra le funzioni seguenti.

Stato indicatore a LED/ cicalino		Funzione	Stato	Azione necessaria
Indicatore a LED	Cicalino			
Si accende in verde → rosso → blu → bianco in successione.	Una serie di suoni molto brevi	Controllare il LED, la spia e il cicalino (quando si schiaccia il grilletto dell'interruttore per la prima volta dopo l'installazione cartuccia della batteria nell'utensile).	Accertarsi che il LED verde, rosso, blu e bianco si accenda e che il cicalino suoni correttamente.	—
Si accende in verde per circa un secondo.	—	Serraggio con arresto automatico	Questa funzione si attiva quando l'utensile ha raggiunto la coppia di serraggio prerogolata e il serraggio normale è stato completato. Ciò aiuta ad evitare il serraggio eccessivo.	—
Lampeggia lentamente in viola.	Una serie di suoni lunghi	Avvertimento della capacità della batteria	Indica il tempo appropriato di sostituzione della batteria quando diventa debole.	Sostituire la batteria con una completamente carica.
Si accende in viola.	Un suono lungo	Controllo della capacità restante della batteria, arresto automatico	Questa funzione si attiva quando la batteria è quasi completamente scarica. L'utensile si arresta allora immediatamente.	Sostituire la batteria con una completamente carica.
Si accende in alternativamente in rosso e verde.	Una serie di suoni brevi	Antiripristino del controllore	Questa funzione si attiva quando per un qualche motivo si verifica un calo anormale di tensione della batteria e l'utensile si arresta.	Sostituire la batteria con una completamente carica.
		Guasto del motore	Questa funzione si attiva quando si verifica un guasto del motore.	Portare l'utensile in un Centro Assistenza Makita autorizzato.
Lampeggia velocemente in rosso.	Una serie di suoni brevi	Surriscaldamento	Questa funzione opera se la temperatura del controllore o del motore sale ad un alto livello, e l'utensile si arresta.	Rimuovere immediatamente la batteria e raffreddare l'utensile.
Lampeggia alternativamente in rosso e giallo.	Un suono lungo	Avvertimento per un serraggio insufficiente	Il serraggio non è completo quando si rilascia l'interruttore dell'utensile prima dell'attivazione della frizione.	—
		Rilevamento del doppio avvita	Questa funzione si attiva quando si avvita di nuovo una vite dopo che è già stata avvitata.	—

011001

Regolazione della coppia di serraggio

Per avvitare le viti comuni, viti per legno, bulloni esagonali, ecc., regolare la coppia di serraggio come segue.

1. Rimuovere per prima cosa la cartuccia della batteria dall'utensile.
2. Allentare e rimuovere le viti che fissa l'anello.
(Allentare le due viti che fissano l'anello soltanto con il modello DFL201F) (Fig. 7)
3. Ruotare a mano l'anello sulla parte anteriore dell'utensile in modo da scoprire il foro sotto l'anello.
4. Rimettere a posto la cartuccia della batteria e schiacciare il grilletto dell'interruttore. Rilasciarlo in modo che l'anello di regolazione ruoti e che il foro diventi visibile, come illustrato (Fig. 8). Rimuovere poi la cartuccia della batteria.
5. Usare una impugnatura di regolazione opzionale per regolare la coppia di serraggio. Inserire il perno dell'impugnatura di regolazione nel foro sulla parte anteriore dell'utensile. Girare poi l'impugnatura di regolazione in senso orario per regolare una coppia di serraggio maggiore, e in senso antiorario per una coppia di serraggio minore. (Fig. 9)
6. Allineare il bordo dell'anello di regolazione con il numero desiderato sulla scala della coppia di serraggio.
7. Inserire la cartuccia della batteria e accertarsi che sia stata regolata una coppia di serraggio usando un tester della coppia di serraggio.
8. Ruotare l'anello in modo che il foro di regolazione dell'impugnatura sia coperto, tenere fermo l'anello e fissarlo poi con la vite.

NOTA:

- I numeri sulla scala della coppia di serraggio sono una guida per regolare la coppia di serraggio desiderata.

MONTAGGIO

⚠ ATTENZIONE:

- Accertarsi sempre che l'utensile sia spento e che la cartuccia della batteria sia stata rimossa prima di qualsiasi intervento sull'utensile.

Selezione della bussola corretta

Per alcuni modelli ci sono tipi diversi di bussole, a seconda dell'applicazione. Scegliere e installare la bussola adatta all'applicazione.

Installazione o rimozione della bussola (Fig. 10)

Per installare la bussola, spingerla con una mano sul cacciavite quadrato dell'utensile schiacciando con l'altra mano il perno sul rotore quadrato finché non si blocca in posizione. Per rimuovere la bussola, tirarla semplicemente via schiacciando il perno sul cacciavite quadrato.

FUNZIONAMENTO

Tenere saldamente l'utensile e mettere la bussola sopra il bullone o dado. Accendere poi l'utensile. Quando la frizione interviene, il motore si arresta automaticamente. Rilasciare allora il grilletto dell'interruttore. (Fig. 11)

NOTA:

- Tenere l'utensile con il suo cacciavite quadrato puntato dritto sul bullone o dado, perché altrimenti si potrebbe danneggiare il bullone o il dado.

Limiti della capacità di serraggio

Usare l'utensile entro una gamma dell'angolo di rotazione fino a 360°. Se si usa l'utensile oltre il limite superiore di questa gamma, la frizione non funziona. L'utensile inoltre non può sviluppare una coppia di serraggio sufficiente (l'indicatore a LED lampeggia lentamente in viola o si accende in viola).

NOTA:

- Per angolo di rivoluzione si intende l'angolo di rotazione della vite/bullone quando l'utensile raggiunge il 100% dal 50% della coppia desiderata.
- L'impiego di una cartuccia della batteria condizionata a bassa temperatura potrebbe a volte dare un avvertimento di capacità della cartuccia della batteria con una spia e un cicalino che causa l'arresto immediato dell'utensile. In tal caso, la capacità di serraggio potrebbe essere inferiore alle specifiche in questo manuale, anche se si usa una cartuccia della batteria carica.

MANUTENZIONE

⚠ ATTENZIONE:

- Accertarsi sempre che l'utensile sia spento e che la cartuccia della batteria sia stata rimossa prima dell'intervento di ispezione o manutenzione.
- Mai usare benzina, benzene, solventi, alcol e altre sostanze simili. Potrebbero causare scolorimenti, deformazioni o crepe.

Per preservare la sicurezza e l'affidabilità del prodotto, le riparazioni, la manutenzione o la regolazione devono essere eseguite da un Centro Assistenza Makita autorizzato usando sempre ricambi Makita.

ACCESSORI OPZIONALI

⚠ ATTENZIONE:

- Per l'utensile specificato in questo manuale, si consigliano questi accessori o ricambi. L'utilizzo di altri accessori o ricambi può costituire un pericolo. Usare soltanto gli accessori o ricambi specificati per il loro utilizzo.

Per maggiori dettagli e l'assistenza, rivolgersi al Centro Assistenza Makita locale.

- Batteria e carica genuini Makita
- Impugnatura di regolazione
- Protettore
- Gruppo testa angolare (Solo modello DFL201F)
- Accessorio anti-contraccolpo

NOTA:

- Alcuni articoli nella lista potrebbero essere inclusi nell'imballo dell'utensile come accessori standard. Essi potrebbero differire da paese a paese.

Rumore

Il tipico livello di rumore pesato A determinato secondo EN62841-2-2:

Modello DFL201F, DFL402F

Livello pressione sonora (L_{pA}): 72 dB (A)

Incertezza (K): 3 dB (A)

Il livello di rumore durante il lavoro potrebbe superare gli 80 dB (A).

Modello DFL301F

Livello pressione sonora (L_{pA}): 74 dB (A)

Incertezza (K): 3 dB (A)

Il livello di rumore durante il lavoro potrebbe superare gli 80 dB (A).

ENG907-1

NOTA:

- Il valore o i valori dichiarati delle emissioni di rumori sono stati misurati in conformità a un metodo standard di verifica, e possono essere utilizzati per confrontare un utensile con un altro.
- Il valore o i valori dichiarati delle emissioni di rumori possono venire utilizzati anche per una valutazione preliminare dell'esposizione.

⚠ AVVERTIMENTO:

- **Indossare protezioni per le orecchie.**
- **L'emissione di rumori durante l'utilizzo effettivo dell'utensile elettrico può variare rispetto al valore o ai valori dichiarati, a seconda dei modi in cui viene utilizzato l'utensile e specialmente a seconda di che tipo di pezzo venga lavorato.**
- **Accertarsi di identificare misure di sicurezza per la protezione dell'operatore che siano basate su una stima dell'esposizione nelle condizioni effettive di utilizzo (tenendo conto di tutte le parti del ciclo operativo, ad esempio del numero di spegnimenti dell'utensile e di quando giri a vuoto, oltre al tempo di attivazione).**

ENG900-1

Vibrazione

Il valore totale di vibrazione (somma vettore triassiale) determinato secondo EN62841-2-2:

Modalità operativa: avvitamento senza impatto

Emissione di vibrazione (a_h): 2,5 m/s² o meno

Incertezza (K): 1,5 m/s²

ENG901-2

NOTA:

- Il valore o i valori complessivi delle vibrazioni dichiarati sono stati misurati in conformità a un metodo standard di verifica, e possono essere utilizzati per confrontare un utensile con un altro.
- Il valore o i valori complessivi delle vibrazioni dichiarati possono venire utilizzati anche per una valutazione preliminare dell'esposizione.

⚠ AVVERTIMENTO:

- **L'emissione delle vibrazioni durante l'utilizzo effettivo dell'utensile elettrico può variare rispetto al valore o ai valori dichiarati, a seconda dei modi in cui viene utilizzato l'utensile, specialmente a seconda di che tipo di pezzo venga lavorato.**
- **Accertarsi di identificare misure di sicurezza per la protezione dell'operatore che siano basate su una stima dell'esposizione nelle condizioni effettive di utilizzo (tenendo conto di tutte le parti del ciclo operativo, ad esempio del numero di spegnimenti dell'utensile e di quando giri a vuoto, oltre al tempo di attivazione).**

Verklaring van algemene gegevens

1 Rood gedeelte	9 LED-indicator	16 Bevestigingsgat voor instelgreep
2 Knop	10 Schroeven	17 Gele streep
3 Accu	11 Haakse kop	18 Drukveer
4 Indicatorlampjes	12 Instelring	19 Sok
5 Testknop	13 Ring	20 Opening
6 Aan/uit trekschakelaar	14 Schaal	21 Pen
7 Omkeerschakelaar	15 Instelgreep	
8 Lampje		

TECHNISCHE GEGEVENS

Model		DFL201F	DFL301F	DFL402F
Aandraaikoppel	Harde verbinding	8 – 20 N•m	16 – 30 N•m	25 – 40 N•m
	Zachte verbinding	8 – 20 N•m	16 – 30 N•m	25 – 40 N•m
Vierkant		9,5 mm	9,5 mm	9,5 mm
Toerental onbelast (min ⁻¹)		360	260	200
Totale lengte (Afhankelijk van de accu)		417 – 429 mm	465 – 477 mm	465 – 477 mm
Netto gewicht		1,5 – 2,1 kg	1,7 – 2,1 kg	1,7 – 2,1 kg
Nominale spanning		D.C. 14,4 V		

- Vanwege ons voortgaand onderzoeks- en ontwikkelingsprogramma kunnen de bijgaande technische gegevens zonder voorafgaande kennisgeving worden gewijzigd.
- De technische gegevens kunnen van land tot land verschillen.
- Het gewicht kan verschillen, afhankelijk van de hulpstukken, inclusief de accu. De lichtste en zwaarste combinatie, overeenkomstig de EPTA-procedure 01/2014, worden aangegeven in de tabel.

Toepasselijke accu en acculader

Accu	BL1415N / BL1415NA / BL1430 / BL1430B / BL1440 / BL1450 / BL1460A / BL1460B
Acculader	DC18RC / DC18RD / DC18RE / DC18SD / DC18SE / DC18SF

- Sommige van de hierboven vermelde accu's en acculaders zijn mogelijk niet verkrijgbaar, afhankelijk van het gebied waarin u woont.

⚠ WAARSCHUWING: Gebruik uitsluitend de hierboven vermelde accu's en acculaders. Als u enige andere accu of acculader gebruikt, kan dat leiden tot letsel en/of brand.

ENE033-1

Bewaar alle waarschuwingen en instructies om in de toekomst te kunnen raadplegen.

Doeleinden van gebruik

Dit gereedschap is bedoeld voor het indraaien van schroeven in hout, metaal en plastic.

GEA010-2

De term “elektrisch gereedschap” in de veiligheidsvoorschriften duidt op gereedschappen die op stroom van het lichtnet werken (met snoer) of gereedschappen met een accu (snoerloos).

Algemene veiligheidswaarschuwingen voor elektrisch gereedschap

⚠ WAARSCHUWING! Lees alle veiligheidswaarschuwingen, aanwijzingen, afbeeldingen en technische gegevens behorend bij dit elektrische gereedschap aandachtig door. Als u niet alle onderstaande aanwijzingen naleeft, kan dat resulteren in brand, elektrische schokken en/of ernstig letsel.

GEB139-1

VEILIGHEIDSWAARSCHUWINGEN VOOR EEN ACCUSCHROEFMACHINE

1. Houd elektrisch gereedschap alleen vast aan de geïsoleerde handgrepen, wanneer u werkt op plaatsen waar het bevestigingsmateriaal met verborgen bedrading in aanraking kan komen. Als een draad die onder stroom staat wordt beschadigd, kunnen de metalen delen van het gereedschap ook onder stroom komen te staan en kunt u een gevaarlijke elektrische schok krijgen.

2. Zorg ook altijd dat u stevig op een solide bodem staat.
Controleer dat er niemand onder u staat wanneer u het gereedschap op een hoge plaats gebruikt.
3. Houd het gereedschap stevig vast.
4. Houd uw handen uit de buurt van draaiende delen.
5. Raak direct na uw werk het bit of het werkstuk niet aan; ze kunnen erg heet zijn en u zou zich kunnen branden.
6. Zet het werkstuk altijd vast in een bankschroef of soortgelijke klemvoorziening.

BEWAAR DEZE VOORSCHRIFTEN.

⚠ WAARSCHUWING:

Laat u NIET misleiden door een vals gevoel van comfort en bekendheid met het gereedschap (na veelvuldig gebruik) en neem alle veiligheidsvoorschriften van het betreffende gereedschap altijd strikt in acht. **VERKEERD GEBRUIK** of het niet naleven van de veiligheidsvoorschriften in deze gebruiksaanwijzing kan leiden tot ernstige verwondingen.

ENC007-12

BELANGRIJKE VEILIGHEIDSLINSTRUCTIES VOOR EEN ACCU

1. Lees alle voorschriften en waarschuwingen op (1) de acculader, (2) de accu, en (3) het product waarvoor de accu wordt gebruikt, alvorens de accu in gebruik te nemen.
2. Neem de accu niet uit elkaar.
3. Als de gebruikstijd van een opgeladen accu aanzienlijk korter is geworden, moet u het gebruik ervan onmiddellijk stopzetten. Voortgezet gebruik kan oververhitting, brandwonden en zelfs een ontploffing veroorzaken.
4. Als elektrolyt in uw ogen is terechtgekomen, spoelt u uw ogen met schoon water en roept u onmiddellijk de hulp van een dokter in. Elektrolyt in de ogen kan blindheid veroorzaken.
5. Voorkom kortsluiting van de accu:
 - (1) Raak de accuklemmen nooit aan met een geleidend materiaal.
 - (2) Bewaar de accu niet in een bak waarin andere metalen voorwerpen zoals spijkers, munten e.d. worden bewaard.
 - (3) Stel de accu niet bloot aan water of regen.

Kortsluiting van de accu kan oorzaak zijn van een grote stroomafgifte, oververhitting, brandwonden, en zelfs defecten.
6. Bewaar het gereedschap en de accu niet op plaatsen waar de temperatuur kan oplopen tot 50°C of hoger.
7. Werp de accu nooit in het vuur, ook niet wanneer hij zwaar beschadigd of volledig versleten is. De accu kan ontploffen in het vuur.
8. Wees voorzichtig dat u de accu niet laat vallen en hem niet blootstelt aan schokken of stoten.
9. Gebruik nooit een beschadigde accu.

10. De bijgeleverde lithium-ionbatterijen zijn onderhevig aan de vereisten in de wetgeving omtrent gevaarlijke stoffen.

Voor commercieel transport en dergelijke door derden en transporteurs moeten speciale vereisten ten aanzien van verpakking en etikettering worden nageleefd.

Als voorbereiding van het artikel dat wordt getransporteerd is het noodzakelijk een expert op het gebied van gevaarlijke stoffen te raadplegen. Houd u tevens aan mogelijk strengere nationale regelgeving.

Blootliggende contactpunten moeten worden afgedekt met tape en de accu moet zodanig worden verpakt dat deze niet kan bewegen in de verpakking.

11. Volg bij het weggoien van de accu de plaatselijke voorschriften.
12. Gebruik de accu's uitsluitend met de gereedschappen die door Makita zijn aanbevolen. Als de accu's worden aangebracht in niet-compatibele gereedschappen, kan dat leiden tot brand, buitensporige warmteontwikkeling, een explosie of lekkage van elektrolyt.

BEWAAR DEZE VOORSCHRIFTEN.

⚠ LET OP:

Gebruik uitsluitend originele Makita accu's. Het gebruik van niet-originele accu's, of accu's die zijn gewijzigd, kan ertoe leiden dat de accu ontploft en brand, persoonlijk letsel en schade veroorzaakt. Ook vervalt daarmee de garantie van Makita op het gereedschap en de lader van Makita.

Tips voor een maximale levensduur van de accu

1. Laad de accu op voordat hij volledig ontladen is. Stop het gebruik van het gereedschap en laad de accu op telkens wanneer u vaststelt dat het vermogen van het gereedschap is afgenomen.
2. Laad een volledig opgeladen accu nooit opnieuw op. Te lang opladen verkort de levensduur van de accu.
3. Laad de accu op bij een omgevingstemperatuur tussen 10°C en 40°C. Laat een warme accu afkoelen alvorens hem op te laden.
4. Laad de accu op als u deze gedurende een lange tijd (meer dan zes maanden) niet gaat gebruiken.

BESCHRIJVING VAN DE FUNCTIES

⚠ LET OP:

- Zorg altijd dat het gereedschap is uitgeschakeld en de accu ervan is verwijderd alvorens de functies op het gereedschap af te stellen of te controleren.

Installeren of verwijderen van de accu (Fig. 1)

- Schakel het gereedschap altijd uit alvorens de accu te installeren of te verwijderen.
- Om de accu te verwijderen, haalt u deze uit het gereedschap terwijl u de knop op de voorkant van de accu verschuift.

- Om de accu te installeren, doet u de tong op de accu overeenkomen met de groef in het huis van het gereedschap, en dan schuift u de accu erin. Schuif de accu zo ver mogelijk erin totdat deze op zijn plaats vastklikt. Als het rode gedeelte op de bovenkant van de knop nog zichtbaar is, zit de accu niet volledig erin. Schuif hem volledig erin totdat het rode gedeelte niet meer zichtbaar is. Als u dit niet doet, kan de accu per ongeluk eruit vallen en uzelf of andere personen in uw omgeving verwonden.
- Als de accu moeilijk in de houder gaat, moet u niet proberen om hem met geweld erin te duwen. Als de accu er niet gemakkelijk ingaat, betekent dit dat u hem niet op de juiste wijze erin steekt.

De resterende acculading controleren (BL1460A) (Fig. 2)

OPMERKING:

- Afhankelijk van de gebruiksomstandigheden en de omgevingstemperatuur, is het mogelijk dat de aangegeven acculading verschilt van de werkelijke acculading.

Tijdens opladen

Wanneer het opladen begint, gaat het eerste (meest linkse) indicatorlampje knipperen. Naar mate het opladen vordert, gaat het ene na het andere lampje branden om de huidige acculading aan te geven.

OPMERKING:

- Als het indicatorlampje niet gaat branden of knipperen tijdens het opladen, kan de accu defect zijn. Vraag in dat geval uw plaatselijke servicecentrum om hulp.

Tijdens gebruik

Wanneer het gereedschap is ingeschakeld, branden de lampjes om de resterende acculading aan te geven.

Wanneer het gereedschap is uitgeschakeld, gaan de lampjes na ongeveer 5 seconden uit.

Wanneer u met uitgeschakeld gereedschap op de controleknop drukt, gaan de indicatorlampjes gedurende ongeveer 5 seconden branden om de acculading aan te geven.

Als het oranje lampje knippert, stopt het gereedschap vanwege de geringe resterende acculading (automatische stopfunctie). Wanneer dat gebeurt, laadt u de accu op of gebruikt u een opgeladen accu.

Wanneer het gereedschap wordt gebruikt met een accu die lange tijd niet is gebruikt en wordt ingeschakeld, branden mogelijk geen lampjes. Wanneer dat gebeurt, stopt het gereedschap vanwege de geringe resterende acculading. Laad de accu goed op.

Werking van de trekschakelaar (Fig. 3)

⚠ LET OP:

- Alvorens de accu in het gereedschap te plaatsen, moet u altijd controleren of de aan/uit trekschakelaar juist werkt en bij het loslaten naar de "OFF" positie terugkeert.

Om het gereedschap te starten drukt u gewoon de aan/uit trekschakelaar in. Laat de aan/uit trekschakelaar los om het gereedschap te stoppen.

Werking van de omkeerschakelaar (Fig. 4)

⚠ LET OP:

- Controleer altijd de draairichting alvorens het gereedschap te gebruiken.

- Verander de stand van de omkeerschakelaar alleen nadat het gereedschap volledig tot stilstand is gekomen. Indien u de draairichting verandert terwijl de schroefbit nog draait, kan het gereedschap beschadigd raken.
- Zet de omkeerschakelaar altijd in de neutrale stand wanneer het gereedschap niet wordt gebruikt.

Dit gereedschap heeft een omkeerschakelaar voor het veranderen van de draairichting. Druk de omkeerschakelaar in vanaf zijde A voor rechtse draairichting, en vanaf zijde B voor linkse draairichting.

Wanneer de omkeerschakelaar in de neutrale stand staat, kan de aan/uit trekschakelaar niet worden ingedrukt.

Aanzetten van de lamp (Fig. 5)

⚠ LET OP:

- Kijk niet direct in het licht van de lamp.

Druk de aan/uit trekschakelaar in om de lamp aan te zetten. De lamp blijft branden zolang als u de aan/uit trekschakelaar ingedrukt houdt. De lamp gaat automatisch uit 10 seconden na het loslaten van de aan/uit trekschakelaar.

OPMERKING:

- Gebruik een droge doek om vuil op de lamplens eraf te vegen. Pas op dat u geen krassen maakt op de lamplens, omdat de verlichtingssterkte daardoor kan verminderen.

LED-indicator/Pieptoon (Fig. 6)

De LED-indicator/Pieptoon van het gereedschap geven de volgende functies aan.

Status van LED-indicator/ pieptoon		Functie	Status	Te nemen maatregel
LED-indicator	Pieptoon			
Brandt achter- eenvolgens Groen → Rood → Blauw → Wit.	Een reeks zeer korte pieptonen	Controleer LED, de kleur en de pieptoon (wanneer u de aan/uit trekschakelaar voor het eerst intrekt nadat u een accu in het gereedschap hebt gestoken).	Controleer dat de LED groen, rood, blauw en wit brandt en de pieptoon klinkt.	—
Brandt groen gedurende ongeveer 1 seconde.	—	Automatisch stoppen met aandraaien	Deze functie treedt in werking wanneer het vooraf ingestelde aandraaikoppel is bereikt en de schroef volledig is aangedraaid. Hierdoor wordt voorkomen dat de schroef te vast wordt aangedraaid.	—
Knippert langzaam paars.	Een reeks lange pieptonen	Waarschuwing voor accucapaciteit	Toont de geschikte tijd voor het vervangen van de accu wanneer de accuspanning zwak geworden is.	Vervang de accu door een volledig opgeladen accu.
Brandt paars.	Een lange pieptoon	Controleren van de resterende accuspanning en automatisch stoppen	Deze functie treedt in werking wanneer de accu bijna leeg is. Het gereedschap stopt dan onmiddellijk.	Vervang de accu door een volledig opgeladen accu.
Brandt beurtelings in rood en groen.	Een reeks korte pieptonen	Neutraliseren van het regelmechanisme	Wanneer een abnormale verlaging van de accuspanning om een of andere reden optreedt, treedt deze functie in werking en zal het gereedschap stoppen.	Vervang de accu door een volledig opgeladen accu.
		Storing in de motor.	Deze functie treedt in werking wanneer de motor defect is.	Ga met het gereedschap naar een erkend Makita- servicecentrum.
Knippert snel in rood.	Een reeks korte pieptonen	Oververhitting	Deze functie treedt in werking wanneer de temperatuur van het regelmechanisme of van de motor te hoog wordt en de motor stopt.	Haal de accu onmiddellijk eruit en laat het gereedschap afkoelen.
Knippert beurtelings rood en geel.	Een lange pieptoon	Waarschuwing voor onvoldoende bevestigen.	Het bevestigen gebeurt onvoldoende wanneer de aan/uit trekschakelaar van het gereedschap wordt losgelaten voordat de koppeling in werking treedt.	—
		Dubbeltellingdetectie	Deze functie treedt in werking wanneer een schroef opnieuw wordt vastgezet na reeds te zijn bevestigd.	—

011001

Instellen van het aandraaikoppel

Wanneer u kolomschroeven, houtschroeven, zeskante bouten e.d. met een gespecificeerd aandraaikoppel wilt aandraaien, moet u het aandraaikoppel als volgt instellen.

1. Haal de accu uit het gereedschap.
2. Draai de bevestigingsschroef van de ring los en verwijder de schroef.
(Alleen voor model DFL201F: Draai de twee schroeven los waarmee de ring is vastgezet.) (Fig. 7)
3. Draai met de hand de ring op de voorkant van het gereedschap zodat het gat onder de ring zichtbaar wordt.
4. Installeer de accu en druk de aan/uit trekschakelaar in. Laat de aan/uit trekschakelaar los zodat de instelling draait en het gat zichtbaar wordt zoals afgebeeld (Fig. 8). Haal daarna de accu eruit.
5. Gebruik de los verkrijgbare instelgreep om het aandraaikoppel in te stellen. Steek de pen van de instelgreep in het gat op de voorkant van het gereedschap. Draai daarna de instelgreep naar rechts om een groter aandraaikoppel in te stellen, of naar links om een kleiner aandraaikoppel in te stellen. (Fig. 9)
6. Doe de rand van de afstelring overeenkomen met het gewenste cijfer op de aandraaikoppelschaal.
7. Installeer de accu en gebruik een aandraaikoppeltestapparaat om te controleren of het aandraaikoppel is ingesteld.
8. Draai de ring zodanig dat het bevestigingsgat voor de instelgreep is afgedekt. Houd de bevestigingsring op zijn plaats en zet deze vast met de schroef.

OPMERKING:

- De cijfers op de aandraaikoppelschaal dienen als een leidraad voor het instellen van het gewenste aandraaikoppel.

INEENZETTEN

⚠ LET OP:

- Controleer altijd of het gereedschap is uitgeschakeld en de accu ervan is verwijderd alvorens enig werk aan het gereedschap uit te voeren.

Selecteren van de juiste sok

Bij sommige modellen zijn er verschillende soorten sokken beschikbaar voor diverse toepassingen. Selecteer en monteer de sok die geschikt is voor uw toepassing.

Installeren of verwijderen van de sok (Fig. 10)

Om de sok te installeren, duwt u met de ene hand de sok op de vierkante aandrijfkop van het gereedschap terwijl u met de andere hand de pen op de vierkante aandrijfkop indrukt, totdat de sok op zijn plaats vergrendelt. Om de sok te verwijderen, trekt u deze gewoon eraf terwijl u de pen op de vierkante aandrijfkop ingedrukt houdt.

BEDIENING

Houd het gereedschap stevig vast en plaats de sok over de bout of moer. Schakel vervolgens het gereedschap in. Wanneer de koppeling ingrijpt, zal de motor automatisch stoppen. Laat daarna de aan/uit trekschakelaar los. (Fig. 11)

OPMERKING:

- Houd het gereedschap met zijn vierkante aandrijving recht op de bout of moer geplaatst, omdat de bout of moer anders beschadigd kan raken.

Toelaatbare aandraaicapaciteiten

Gebruik het gereedschap binnen het bereik van de draaiingshoek tot maximaal 360°. Als u het gereedschap gebruikt boven de bovengrens van dit bereik, werkt de koppeling niet. Het gereedschap kan tevens niet voldoende aandraaikoppel leveren (LED-indicator knippert langzaam paars of brandt paars).

OPMERKING:

- De draaiingshoek is de hoek waarbij een schroef/bout draait wanneer het gereedschap tussen 50% en 100% van het gewenste koppel bereikt.
- Bij gebruik van een accu op lage temperatuur, kunnen het waarschuwinglampje en de zoemer soms een waarschuwing voor te laag accuvermogen geven zodat het gereedschap onmiddellijk zal stoppen. In dit geval kan de aandraaicapaciteit lager zijn dan is gespecificeerd in deze handleiding, ook wanneer een opgeladen accu wordt gebruikt.

ONDERHOUD

⚠ LET OP:

- Zorg altijd dat het gereedschap is uitgeschakeld en de accu ervan is verwijderd alvorens te beginnen met onderhoud of inspectie.
- Gebruik nooit benzine, wasbenzine, thinner, alcohol en dergelijke. Hierdoor het verkleuring, vervormingen en barsten worden veroorzaakt.

Om de VEILIGHEID en BETROUWBAARHEID van het product te handhaven, dienen alle reparaties en alle andere onderhoudswerkzaamheden of afstellingen te worden uitgevoerd door een erkend Makita Servicecentrum, en dat uitsluitend met gebruik van Makita vervangingsonderdelen.

OPTIONELE ACCESSOIRES

⚠ LET OP:

- Deze accessoires of hulpstukken worden aanbevolen voor gebruik met het Makita gereedschap dat in deze gebruiksaanwijzing is beschreven. Bij gebruik van andere accessoires of hulpstukken bestaat er gevaar voor persoonlijke verwonding. Gebruik de accessoires of hulpstukken uitsluitend voor hun bestemd doel.

Wenst u meer bijzonderheden over deze accessoires, neem dan contact op met het plaatselijke Makita servicecentrum.

- Originele Makita accu en acculader
- Instelgreep
- Beschermkap
- Haakse kopmontage (Alleen voor model DFL201F)
- Terugslagvrij-hulpstuk

OPMERKING:

- Sommige onderdelen in deze lijst kunnen bij het gereedschap zijn meegeleverd als standaard-accessoires. Deze kunnen van land tot land verschillen.

Geluidsniveau

De typisch, A-gewogen geluidsniveaus vastgesteld volgens EN62841-2-2:

Model DFL201F, DFL402F

Geluidsdruk niveau (L_{pA}): 72 dB (A)

Onnauwkeurigheid (K): 3 dB (A)

Tijdens het werken kan het geluidsniveau 80 dB (A) overschrijden.

Model DFL301F

Geluidsdruk niveau (L_{pA}): 74 dB (A)

Onnauwkeurigheid (K): 3 dB (A)

Tijdens het werken kan het geluidsniveau 80 dB (A) overschrijden.

ENG907-1

OPMERKING:

- De opgegeven geluidsemisiewaarde(n) is/zijn gemeten volgens een standaardtestmethode en kan/kunnen worden gebruikt om dit gereedschap te vergelijken met andere gereedschappen.
- De opgegeven geluidsemisiewaarde(n) kan/kunnen ook worden gebruikt voor een beoordeling vooraf van de blootstelling.

⚠ WAARSCHUWING:

- Draag gehoorbescherming.
- De geluidsemisie tijdens het gebruik van het elektrisch gereedschap in de praktijk kan verschillen van de opgegeven waarde(n) afhankelijk van de manier waarop het gereedschap wordt gebruikt, met name van het soort werkstuk waarmee wordt gewerkt.
- Zorg ervoor dat veiligheidsmaatregelen worden getroffen ter bescherming van de gebruiker die zijn gebaseerd op een schatting van de blootstelling onder praktijkomstandigheden (rekening houdend met alle fasen van de bedrijfscyclus, zoals de tijdsduur gedurende welke het gereedschap is uitgeschakeld en stationair draait, naast de ingeschakelde tijdsduur).

ENG900-1

Trilling

De totaalwaarde van de trillingen (triaxiale vectorsom) vastgesteld volgens EN62841-2-2:

Toepassing: schroeven zonder slag

Trillingsemisie (a_{h1}): 2,5 m/s² of lager

Onnauwkeurigheid (K): 1,5 m/s²

OPMERKING:

- De totale trillingswaarde(n) is/zijn gemeten volgens een standaardtestmethode en kan/kunnen worden gebruikt om dit gereedschap te vergelijken met andere gereedschappen.
- De opgegeven totale trillingswaarde(n) kan/kunnen ook worden gebruikt voor een beoordeling vooraf van de blootstelling.

⚠ WAARSCHUWING:

- De trillingsemisie tijdens het gebruik van het elektrisch gereedschap in de praktijk kan verschillen van de opgegeven waarde(n) afhankelijk van de manier waarop het gereedschap wordt gebruikt, met name van het soort werkstuk waarmee wordt gewerkt.
- Zorg ervoor dat veiligheidsmaatregelen worden getroffen ter bescherming van de gebruiker die zijn gebaseerd op een schatting van de blootstelling onder praktijkomstandigheden (rekening houdend met alle fasen van de bedrijfscyclus, zoals de tijdsduur gedurende welke het gereedschap is uitgeschakeld en stationair draait, naast de ingeschakelde tijdsduur).

EG-VERKLARING VAN CONFORMITEIT**Alleen voor Europese landen**

De EG-verklaring van conformiteit is bijgesloten als Aanhangsel A bij deze gebruiksaanwijzing.

Explicación de los dibujos

1	Parte roja	8	Lámpara	16	Orificio para asidero de ajuste
2	Botón	9	Indicador de LED	17	Línea amarilla
3	Cartucho de batería	10	Tornillos	18	Resorte de compresión
4	Lámparas indicadoras	11	Cabezal angular	19	Llave de tubo
5	Botón de comprobación	12	Anillo de ajuste	20	Orificio
6	Gatillo interruptor	13	Anillo	21	Pasador
7	Palanca del interruptor de inversión	14	Escala		
		15	Asidero de ajuste		

ESPECIFICACIONES

Modelo		DFL201F	DFL301F	DFL402F
Par de apriete	Unión dura	8 – 20 N•m	16 – 30 N•m	25 – 40 N•m
	Unión blanda	8 – 20 N•m	16 – 30 N•m	25 – 40 N•m
Accionador cuadrado		9,5 mm	9,5 mm	9,5 mm
Velocidad en vacío (min ⁻¹)		360	260	200
Longitud total (Dependiendo de la batería)		417 – 429 mm	465 – 477 mm	465 – 477 mm
Peso neto		1,5 – 2,1 kg	1,7 – 2,1 kg	1,7 – 2,1 kg
Tensión nominal		CC 14,4 V		

- Debido a nuestro continuado programa de investigación y desarrollo, las especificaciones indicadas aquí están sujetas a cambio sin previo aviso.
- Las especificaciones pueden ser diferentes de país a país.
- El peso puede variar dependiendo del accesorio(s), incluyendo el cartucho de batería. La combinación menos pesada y la más pesada, de acuerdo con el procedimiento EPTA 01/2014, se muestran en la tabla.

Cartucho de batería y cargador aplicables

Cartucho de batería	BL1415N / BL1415NA / BL1430 / BL1430B / BL1440 / BL1450 / BL1460A / BL1460B
Cargador	DC18RC / DC18RD / DC18RE / DC18SD / DC18SE / DC18SF

- Algunos de los cartuchos de batería y cargadores indicados arriba puede que no estén disponibles dependiendo de su región de residencia.

⚠ ADVERTENCIA: Utilice solamente los cartuchos de batería y cargadores indicados arriba. La utilización de cualquier otro cartucho de batería y cargador puede ocasionar heridas y/o un incendio.

ENE033-1

GEB139-1

Uso previsto

La herramienta ha sido prevista para atornillar en madera, metal y plástico.

GEA010-2

Advertencias de seguridad para herramientas eléctricas en general

⚠ ¡ADVERTENCIA! Lea todas las advertencias de seguridad, instrucciones, ilustraciones y especificaciones provistas con esta herramienta eléctrica. Si no sigue todas las instrucciones indicadas abajo podrá resultar en una descarga eléctrica, un incendio y/o heridas graves.

Guarde todas las advertencias e instrucciones para futuras referencias.

El término "herramienta eléctrica" en las advertencias se refiere a su herramienta eléctrica de funcionamiento con conexión a la red eléctrica (con cable) o herramienta eléctrica de funcionamiento a batería (sin cable).

ADVERTENCIAS DE SEGURIDAD PARA EL ATORNILLADOR INALÁMBRICO

1. Cuando realice una operación en la que el fijador pueda entrar en contacto con cableado oculto, sujete la herramienta eléctrica por las superficies de asimiento aisladas. El contacto del fijador con un cable con corriente hará que la corriente circule por las partes metálicas expuestas de la herramienta eléctrica y podrá soltar una descarga eléctrica al operario.
2. Asegúrese siempre de que tiene suelo firme. Asegúrese de que no haya nadie debajo cuando utilice la herramienta en lugares altos.
3. Sujete la herramienta firmemente.
4. Mantenga las manos alejadas de las partes giratorias.
5. No toque la punta de atornillar o la pieza de trabajo inmediatamente después de la operación; podrán estar muy calientes y quemarle la piel.

6. Sujete siempre la pieza de trabajo en un tornillo de banco o dispositivo de sujeción similar.

GUARDE ESTAS INSTRUCCIONES.

⚠ ADVERTENCIA:

NO deje que la comodidad o familiaridad con el producto (a base de utilizarlo repetidamente) sustituya la estricta observancia de las normas de seguridad para el producto en cuestión.

El MAL USO o el no seguir las normas de seguridad establecidas en este manual de instrucciones podrá ocasionar graves heridas personales.

ENC007-12

INSTRUCCIONES DE SEGURIDAD IMPORTANTES PARA EL CARTUCHO DE BATERÍA

1. Antes de utilizar el cartucho de batería, lea todas las instrucciones e indicaciones de precaución sobre (1) el cargador de baterías, (2) la batería, y (3) el producto con el que se utiliza la batería.
2. No desarme el cartucho de batería.
3. Si el tiempo de uso se acorta demasiado, cese la operación inmediatamente. Podría resultar en un riesgo de recalentamiento, posibles quemaduras e incluso una explosión.
4. Si entra electrólito en sus ojos, aclárelos con agua limpia y acuda a un médico inmediatamente. Existe el riesgo de poder perder la vista.
5. No cortocircuite el cartucho de batería:
 - (1) No toque los terminales con ningún material conductor.
 - (2) Evite guardar el cartucho de batería en un cajón junto con otros objetos metálicos, como clavos, monedas, etc.
 - (3) No exponga el cartucho de batería al agua ni a la lluvia.

Un cortocircuito en la batería puede producir una gran circulación de corriente, un recalentamiento, posibles quemaduras e incluso una rotura de la misma.

6. No guarde la herramienta y el cartucho de batería en lugares donde la temperatura pueda alcanzar o exceder los 50°C.
7. Nunca incinere el cartucho de batería incluso en el caso de que esté dañado seriamente o ya no sirva en absoluto. El cartucho de batería puede explotar si se tira al fuego.
8. Tenga cuidado de no dejar caer ni golpear el cartucho de batería.
9. No utilice una batería dañada.
10. Las baterías de litio-ion contenidas están sujetas a los requisitos de la Legislación para Materiales Peligrosos.

Para transportes comerciales, p.ej., por terceras personas y agentes de transportes, se deberán observar requisitos especiales para el empaquetado y etiquetado.

Para la preparación del artículo que se va a enviar, se requiere consultar con un experto en materiales peligrosos. Por favor, observe también la posibilidad de reglamentos nacionales más detallados.

Cubra con cinta aislante o enmascare los contactos expuestos y empaquete la batería de tal manera que no se pueda mover alrededor dentro del embalaje.

11. Siga los reglamentos locales referentes al desecho de la batería.
12. Utilice las baterías solamente con los productos especificados por Makita. La instalación de las baterías en productos no compatibles puede resultar en un incendio, calor excesivo, explosión, o fuga de electrolito.

GUARDE ESTAS INSTRUCCIONES.

⚠ PRECAUCIÓN:

Utilice solamente baterías genuinas de Makita. La utilización de baterías no genuinas de Makita, o baterías que han sido alteradas, puede resultar en una explosión de la batería ocasionando incendios, heridas personales y daños. También anulará la garantía de Makita para la herramienta y el cargador de Makita.

Consejos para alargar al máximo la vida de servicio de la batería

1. Cargue el cartucho de batería antes de que se descargue completamente. Detenga siempre la operación y cargue el cartucho de batería cuando note menos potencia en la herramienta.
2. No cargue nunca un cartucho de batería que esté completamente cargado. La sobrecarga acortará la vida de servicio de la batería.
3. Cargue el cartucho de batería a temperatura ambiente de 10°C – 40°C. Si un cartucho de batería está caliente, déjelo enfriar antes de cargarlo.
4. Cargue el cartucho de batería si no lo utiliza durante un periodo de tiempo prolongado (más de seis meses).

DESCRIPCIÓN DEL FUNCIONAMIENTO

⚠ PRECAUCIÓN:

- Asegúrese siempre de que la herramienta esté apagada y el cartucho de batería extraído antes de realizar cualquier ajuste o comprobación en la herramienta.

Instalación y desmontaje del cartucho de batería (Fig. 1)

- Apague siempre la herramienta antes de insertar o extraer el cartucho de batería.
- Para extraer el cartucho de batería, sáquelo de la herramienta mientras desliza el botón que hay en la parte delantera del cartucho.
- Para insertar el cartucho de batería, alinee la lengüeta del cartucho de batería con la acanaladura en el alojamiento y deslícelo hasta que encaje en posición. Insértelo siempre a tope hasta que se bloquee produciendo un pequeño clic. Si puede ver la parte roja del lado superior del botón, no estará bloqueado completamente. Insértelo totalmente hasta que no pueda verse la parte roja. En caso contrario, podrá caerse accidentalmente de la herramienta y causarle heridas a usted o a alguien cerca de usted.
- No emplee fuerza para insertar el cartucho de batería. Si no entra deslizándose suavemente, será porque no está siendo insertado correctamente.

Comprobación de la capacidad de batería restante (BL1460A) (Fig. 2)

NOTA:

- Dependiendo de las condiciones de utilización y de la temperatura ambiente, la indicación podrá variar ligeramente de la capacidad real.

Cuando se está cargando

Cuando comienza la carga, la primera lámpara de indicación (extremo izquierdo) comienza a parpadear. Después, a medida que prosigue la carga, las otras lámparas se iluminan, una tras otra, para indicar la capacidad de batería.

NOTA:

- Si la lámpara de indicación no se enciende o parpadea cuando se está cargando, es posible que la batería esté defectuosa. En este caso, pregunte al centro de servicio local.

Cuando se está utilizando

Cuando se enciende la herramienta, las lámparas se iluminan para indicar la capacidad de batería restante. Cuando se apaga la herramienta, la luz se apaga después de aproximadamente 5 segundos.

Cuando se presiona el botón de comprobación con la herramienta apagada, las lámparas de indicación se encienden durante aproximadamente 5 segundos para mostrar la capacidad de batería.

Si la lámpara naranja parpadea, la herramienta se detendrá debido a la poca capacidad de batería restante (Mecanismo de parada automática). En este momento, cargue el cartucho de batería o utilice un cartucho de batería cargado.

Cuando la herramienta sea usada con una batería que no ha sido utilizada durante largo tiempo y sea puesta en marcha, es posible que no se ilumine ninguna lámpara. En este momento, la herramienta se detendrá debido a la poca capacidad de batería restante. Cargue la batería debidamente.

Accionamiento del interruptor (Fig. 3)

⚠ PRECAUCIÓN:

- Antes de insertar el cartucho de batería en la herramienta, compruebe siempre para ver si el gatillo interruptor se acciona correctamente y regresa a la posición "OFF" cuando lo suelta.

Para poner en marcha la herramienta, simplemente apriete el gatillo interruptor. Suelte el gatillo interruptor para pararla.

Accionamiento del interruptor de inversión (Fig. 4)

⚠ PRECAUCIÓN:

- Confirme siempre la dirección de giro antes de la operación.
- Utilice el interruptor de inversión solamente después de que la herramienta se haya parado completamente. Si cambia la dirección de giro antes de que la herramienta se haya parado podrá dañarla.
- Cuando no esté utilizando la herramienta, ponga siempre la palanca del interruptor de inversión en la posición neutral.

Esta herramienta tiene un interruptor de inversión para cambiar la dirección de rotación. Baje la palanca del interruptor de inversión del lado A para giro hacia la derecha o del lado B para giro hacia la izquierda.

Cuando la palanca del interruptor de inversión esté en la posición neutral, no se podrá apretar el gatillo interruptor.

Encendido de las lámparas (Fig. 5)

⚠ PRECAUCIÓN:

- No mire a la luz ni vea la fuente de luz directamente.

Apriete el gatillo interruptor para encender la lámpara. La lámpara se mantendrá encendida mientras esté apretado el gatillo interruptor. La luz se apagará automáticamente 10 segundos después de soltar el gatillo interruptor.

NOTA:

- Utilice un paño seco para limpiar la suciedad de la lente de la lámpara. Tenga cuidado de no rayar la lente de la lámpara, porque podrá reducirse la iluminación.

Indicador de LED / Zumbador (Fig. 6)

El indicador de LED / Zumbador de la herramienta muestra las siguientes funciones.

Estado del indicador de LED/ zumbador		Función	Estado	Acción a tomar
Indicador de LED	Zumbador			
Se ilumina en verde → rojo → azul → blanco en este orden.	Una serie de pitidos muy cortos	Compruebe el LED, la iluminación y el zumbador (cuando apriete el gatillo interruptor por primera vez después de instalar un cartucho de batería en la herramienta).	Asegúrese de que los LED verde, rojo, azul y blanco se iluminan y el zumbador emite los pitidos debidamente.	—
Se ilumina en verde durante un segundo aproximadamente.	—	Parada automática del apriete	Esta función se accionará cuando la herramienta haya alcanzado el par de apriete predeterminado y se haya completado el apriete normal. Esto ayuda a evitar un apriete excesivo.	—
Parpadea en púrpura lentamente.	Una serie de pitidos largos	Aviso sobre la carga del cartucho de batería	Esto indica el tiempo apropiado para reemplazar el cartucho de batería cuando la batería ya tiene poca potencia.	Reemplace la batería con una completamente cargada.
Se ilumina en púrpura.	Un pitido largo	Comprobación de la carga restante de la batería, parada automática	Esta función se accionará cuando la batería esté casi descargada. En este momento, la herramienta se parará inmediatamente.	Reemplace la batería con una completamente cargada.
Se ilumina en rojo y verde alternativamente.	Una serie de pitidos cortos	Antirreposición del controlador	Esta función se accionará cuando se produzca una caída anormal de la tensión de la batería por alguna razón, y la herramienta se parará.	Reemplace la batería con una completamente cargada.
		Fallo del motor	Esta función se activa cuando falla el motor.	Lleve la herramienta a un centro de servicio autorizado de Makita.
Parpadea en rojo rápidamente.	Una serie de pitidos cortos	Recalentamiento	Esta función se activa si la temperatura del controlador o del motor alcanza un nivel alto y la herramienta se para.	Extraiga el cartucho de batería inmediatamente y deje que la herramienta se enfríe.
Parpadea en rojo y amarillo alternativamente.	Un pitido largo	Aviso contra apriete insuficiente	El apriete será incompleto cuando el gatillo interruptor de la herramienta se libere antes de activarse el embrague.	—
		Detección de doble golpe	Esta función se activa cuando se vuelve a apretar un tornillo después de haberlo apretado.	—

011001

Ajuste del par de apriete

Cuando desee apretar tornillos de máquinas, tornillos para madera, pernos hexagonales, etc., con el par de apriete predeterminado, ajuste el par de apriete de la forma siguiente.

1. Primero extraiga el cartucho de batería de la herramienta.
2. Afloje o quite el tornillo que sujeta al anillo. (Afloje dos tornillos que sujetan al anillo solamente para DFL201F) (Fig. 7)
3. Gire el anillo de la parte delantera de la herramienta a mano de forma que se pueda ver el orificio debajo del anillo.
4. Inserte el cartucho de batería en la herramienta y apriete el gatillo interruptor. Suéltelo de forma que el anillo de ajuste gire y el orificio quede visible como se muestra en la ilustración (Fig. 8). Y después extraiga el cartucho de batería.
5. Utilice el asidero de ajuste opcional para ajustar el par de apriete. Inserte el pasador del asidero de ajuste en el orificio de la parte delantera de la herramienta. Y después, gire el asidero de ajuste hacia la derecha para fijar un par de apriete mayor, y hacia la izquierda para fijar un par de apriete menor. (Fig. 9)
6. Alinee el borde del anillo de ajuste con el número que desee de la escala de torsión de apriete.
7. Inserte el cartucho de batería y asegúrese de que se ha fijado un par de apriete utilizando un comprobador de par de apriete.
8. Gire el anillo de forma que el orificio para asidero de ajuste quede cubierto, sujete y después fije el anillo con el tornillo.

NOTA:

- Los números de la escala de par de apriete son una guía para fijar su par de apriete deseado.

MONTAJE

⚠ PRECAUCIÓN:

- Asegúrese siempre de que la herramienta esté apagada y el cartucho de batería extraído antes de realizar cualquier trabajo en la herramienta.

Selección de la llave de tubo correcta

Para algunos modelos hay diferentes tipos de llaves de tubo según las aplicaciones. Elija e instale la llave de tubo correcta para su aplicación.

Instalación o desmontaje de la llave de tubo (Fig. 10)

Para instalar la llave de tubo, empújela contra el accionador cuadrado de la herramienta con una mano bajando el pasador del accionador cuadrado con la otra mano hasta que se bloquee en su sitio. Para desmontar la llave de tubo, simplemente sáquela presionando el pasador del accionador cuadrado.

OPERACIÓN

Sujete la herramienta firmemente y ponga la llave de tubo sobre el perno o tuerca. Después encienda la herramienta. Cuando el embrague se accione, el motor se parará automáticamente. Después suelte el gatillo interruptor. (Fig. 11)

NOTA:

- Sujete la herramienta con su accionador cuadrado apuntando el línea recta al perno o tuerca, o el perno o tuerca se dañará.

Límites de la capacidad de apriete

Utilice la herramienta dentro del rango del ángulo de giro de hasta 360°. Si utiliza la herramienta por encima del límite superior de este rango, no funcionará el embrague. Y la herramienta no podrá desarrollar suficiente par de apriete (el indicador de LED parpadea en púrpura lentamente o se ilumina en púrpura).

NOTA:

- El ángulo de rotación se refiere al ángulo al que gira un tornillo o perno cuando la herramienta desarrolla del 50% al 100% del par de apriete deseado.
- La utilización de un cartucho condicionado por bajas temperaturas podrá dar algunas veces aviso sobre la capacidad del cartucho de batería mediante la lámpara de aviso y pitido que hará que la herramienta se pare automáticamente. En este caso, la capacidad de apriete podrá ser inferior a la especificación indicada en este manual incluso si se utiliza un cartucho de batería cargado.

MANTENIMIENTO

⚠ PRECAUCIÓN:

- Asegúrese siempre de que la herramienta esté apagada y de que el cartucho de baterías está quitado antes de intentar hacer una inspección o mantenimiento.
- No utilice nunca gasolina, bencina, disolvente, alcohol o similares. Podría producir descolocación, deformación o grietas.

Para mantener la SEGURIDAD y la FIABILIDAD del producto, las reparaciones y cualquier otro mantenimiento o ajuste deberán ser realizados por los centros de servicio autorizado de Makita, siempre con piezas de repuesto de Makita.

ACCESORIOS OPCIONALES

⚠ PRECAUCIÓN:

- Estos accesorios o acoplamientos están recomendados para utilizar con su herramienta Makita especificada en este manual. El empleo de cualesquiera otros accesorios o acoplamientos conllevará un riesgo de sufrir heridas personales. Utilice los accesorios o acoplamientos solamente para su fin establecido.

Si necesita cualquier ayuda para más detalles en relación con estos accesorios, pregunte a su centro de servicio Makita local.

- Batería y cargador genuino de Makita
- Asidero de ajuste
- Protector
- Conjunto de cabezal angular (Para modelo DFL201F solamente)
- Accesorio anti-retrocesos bruscos

NOTA:

- Algunos elementos de la lista podrán estar incluidos en el paquete de la herramienta como accesorios estándar. Pueden variar de un país a otro.

Ruido

El nivel de ruido A-ponderado típico determinado de acuerdo con la norma EN62841-2-2:

Modelo DFL201F, DFL402F

Nivel de presión sonora (L_{pA}): 72 dB (A)

Error (K): 3 dB (A)

El nivel de ruido en condiciones de trabajo puede que sobrepase los 80 dB (A).

Modelo DFL301F

Nivel de presión sonora (L_{pA}): 74 dB (A)

Error (K): 3 dB (A)

El nivel de ruido en condiciones de trabajo puede que sobrepase los 80 dB (A).

ENG907-1

NOTA:

- El valor (o los valores) de emisión de ruido declarado ha sido medido de acuerdo con un método de prueba estándar y se puede utilizar para comparar una herramienta con otra.
- El valor (o valores) de emisión de ruido declarado también se puede utilizar en una valoración preliminar de exposición.

ADVERTENCIA:

- Póngase protectores para oídos.
- La emisión de ruido durante la utilización real de la herramienta eléctrica puede variar del valor (o los valores) de emisión declarado dependiendo de las formas en las que la herramienta sea utilizada, especialmente qué tipo de pieza de trabajo se procesa.
- Asegúrese de identificar medidas de seguridad para proteger al operario que estén basadas en una estimación de la exposición en las condiciones reales de utilización (teniendo en cuenta todas las partes del ciclo operativo como las veces cuando la herramienta está apagada y cuando está funcionando en vacío además del tiempo de gatillo).

ENG900-1

Vibración

El valor total de la vibración (suma de vectores triaxiales) determinado de acuerdo con la norma EN62841-2-2:

Modo tarea: atornillado sin impacto

Emisión de vibración (a_h): 2,5 m/s² o menos

Error (K): 1,5 m/s²

NOTA:

- El valor (o los valores) total de emisión de vibración declarado ha sido medido de acuerdo con un método de prueba estándar y se puede utilizar para comparar una herramienta con otra.
- El valor (o los valores) total de emisión de vibración declarado también se puede utilizar en una valoración preliminar de exposición.

ADVERTENCIA:

- La emisión de vibración durante la utilización real de la herramienta eléctrica puede variar del valor (o los valores) de emisión declarado dependiendo de las formas en las que la herramienta sea utilizada, especialmente qué tipo de pieza de trabajo se procesa.
- Asegúrese de identificar medidas de seguridad para proteger al operario que estén basadas en una estimación de la exposición en las condiciones reales de utilización (teniendo en cuenta todas las partes del ciclo operativo como las veces cuando la herramienta está apagada y cuando está funcionando en vacío además del tiempo de gatillo).

DECLARACIÓN CE DE CONFORMIDAD

Sólo para países europeos

La declaración CE de conformidad está incluida como Anexo A de este manual de instrucciones.

Explicação geral

1 Parte vermelha	8 Lâmpada	15 Punho de ajuste
2 Botão	9 Indicador LED	16 Orifício para o punho de ajuste
3 Bateria	10 Parafusos	17 Linha amarela
4 Luzes indicadoras	11 Cabeça angular	18 Mola de compressão
5 Botão de verificação	12 Anel de ajuste	19 Conector
6 Interruptor de gatilho	13 Anel	20 Orifício
7 Interruptor de inversão	14 Escala	21 Pino

ESPECIFICAÇÕES

Modelo	DFL201F	DFL301F	DFL402F	
Tensão de aperto	Junta dura	8 – 20 N•m	16 – 30 N•m	25 – 40 N•m
	Junta mole	8 – 20 N•m	16 – 30 N•m	25 – 40 N•m
Cubo de transmissão	9,5 mm	9,5 mm	9,5 mm	
Sem velocidade de carga (min ⁻¹)	360	260	200	
Comprimento geral (Dependendo da bateria)	417 – 429 mm	465 – 477 mm	465 – 477 mm	
Peso	1,5 – 2,1 kg	1,7 – 2,1 kg	1,7 – 2,1 kg	
Voltagem nominal	C.C. 14,4 V			

- Devido a um programa contínuo de pesquisa e desenvolvimento, estas especificações podem ser alteradas sem aviso prévio.
- As especificações podem variar de país para país.
- O peso pode diferir dependendo do(s) acessório(s), incluindo a bateria. A combinação mais leve e mais pesada, de acordo com o Procedimento 01/2014 da EPTA (European Power Tool Association), são apresentadas na tabela.

Cartucho de bateria e carregador aplicáveis

Cartucho de bateria	BL1415N / BL1415NA / BL1430 / BL1430B / BL1440 / BL1450 / BL1460A / BL1460B
Carregador	DC18RC / DC18RD / DC18RE / DC18SD / DC18SE / DC18SF

- Alguns dos cartuchos de bateria e carregadores listados acima podem não estar disponíveis, dependendo da sua região de residência.

⚠ ADVERTÊNCIA: Utilize apenas os cartuchos de bateria e os carregadores listados acima. A utilização de qualquer outro cartucho de bateria e carregador pode provocar ferimentos e/ou incêndio.

ENE033-1

GEB139-1

Utilização a que se destina

A ferramenta destina-se a aparafusar em madeira, metal e plástico.

GEA010-2

Avisos gerais de segurança para ferramentas eléctricas

⚠ AVISO! Leia todos os avisos de segurança, instruções, ilustrações e especificações fornecidos com esta ferramenta eléctrica. O não cumprimento de todas as instruções indicadas em baixo pode resultar em choque eléctrico, incêndio e/ou ferimentos graves.

Guarde todos os avisos e instruções para futuras referências.

O termo “ferramenta eléctrica” nos avisos refere-se às ferramentas eléctricas ligadas à corrente eléctrica (com cabo) ou às ferramentas eléctricas operadas por meio de bateria (sem cabo).

AVISOS DE SEGURANÇA DA PARAFUSADEIRA A BATERIA

1. **Segure na ferramenta eléctrica através das superfícies de aderência isoladas quando realizar uma operação na qual o fixador possa estabelecer contacto com os fios escondidos.** Os fixadores que estabelecem contacto com um fio sob tensão poderão colocar peças metálicas expostas da ferramenta eléctrica sob tensão e podem causar um choque eléctrico no operador.
2. **Assegure sempre uma posição firme.** Certifique-se de que ninguém se encontram sob locais elevados quando utiliza a ferramenta nestes locais.
3. **Segure a ferramenta com firmeza.**
4. **Mantenha as mãos afastadas de peças rotativas.**
5. **Não toque na broca ou na peça de trabalho imediatamente após a operação; estas podem estar extremamente quentes e podem queimar a sua pele.**

6. Fixe sempre a peça de trabalho num torno ou num dispositivo de retenção similar.

GUARDE ESTAS INSTRUÇÕES.

⚠ AVISO:

NÃO permita que o conforto ou a familiaridade com o produto (adquirido com o uso repetido) substitua a adesão estrita às regras de segurança da ferramenta. A MÁ INTERPRETAÇÃO ou o não seguimento das regras de segurança estabelecidas neste manual de instruções pode causar danos pessoais graves.

ENC007-12

INSTRUÇÕES DE SEGURANÇA IMPORTANTES PARA A BATERIA

1. Antes de utilizar a bateria, leia todas as instruções e etiquetas de precaução no (1) carregador de bateria (2) bateria e (3) produto que utiliza a bateria.
2. Não abra a bateria.
3. Se o tempo de funcionamento se tornar excessivamente curto, pare o funcionamento imediatamente. Pode resultar em sobreaquecimento, possíveis queimaduras e mesmo explosão.
4. Se entrar eletrólito nos seus olhos, lave-os com água e consulte imediatamente um médico. Pode resultar em perda de visão.
5. Não coloque a bateria em curto-circuito:
 - (1) Não toque nos terminais com qualquer material condutor.
 - (2) Evite guardar a bateria juntamente com outros objetos metálicos tais como pregos, moedas, etc.
 - (3) Não exponha a bateria à água ou chuva.

Um curto-circuito pode ocasionar um enorme fluxo de corrente, sobreaquecimento, possíveis queimaduras e mesmo estragar-se.

6. Não guarde a ferramenta e a bateria em locais onde a temperatura pode atingir ou exceder 50°C.
7. Não queime a bateria mesmo que esteja estragada ou completamente gasta. A bateria pode explodir no fogo.
8. Tenha cuidado para não deixar cair ou dar pancadas na bateria.
9. Não utilize uma bateria danificada.
10. As baterias de iões de lítio contidas na ferramenta são sujeitas aos requisitos da DGL (Dangerous Goods Legislation - Legislação de bens perigosos).

Para o transporte comercial, por exemplo, por terceiros ou agentes de expedição, têm de ser observados os requisitos referentes à embalagem e etiquetagem.

Para preparação do artigo a ser expedido, é necessário consultar um perito em materiais perigosos. Tenha ainda em conta a possibilidade de existirem regulamentos nacionais mais detalhados. Coloque fita-cola ou tape os contactos abertos e embale a bateria de tal forma que não possa mover-se dentro da embalagem.

11. Siga os regulamentos locais relacionados com a eliminação de baterias.

12. Utilize as baterias apenas com os produtos especificados pela Makita. Instalar as baterias em produtos não-conformes poderá resultar num incêndio, calor excessivo, explosão ou fuga de eletrólito.

GUARDE ESTAS INSTRUÇÕES.

⚠ PRECAUÇÃO:

Utilize apenas baterias genuínas da Makita. A utilização de baterias não genuínas da Makita ou de baterias que foram alteradas, pode resultar no rebentamento da bateria provocando incêndios, ferimentos pessoais e danos. Além disso, anulará da garantia da Makita no que se refere à ferramenta e ao carregador Makita.

Conselhos para manter a máxima vida útil da bateria

1. Carregue a bateria antes que esteja completamente descarregada. Pare sempre o funcionamento da ferramenta e carregue a bateria quando notar menos poder na ferramenta.
2. Nunca carregue uma bateria completamente carregada. Carregamento excessivo diminui a vida útil da bateria.
3. Carregue a bateria à temperatura ambiente de 10°C – 40°C. Deixe que uma bateria quente arrefeça antes de a carregar.
4. Carregue a bateria se não a utilizar durante um longo período de tempo (mais de seis meses).

DESCRIÇÃO FUNCIONAL

⚠ PRECAUÇÃO:

- Certifique-se sempre de que a ferramenta está desligada e a bateria retirada antes de regular ou verificar qualquer função na ferramenta.

Instalar ou retirar a bateria (Fig. 1)

- Desligue sempre a ferramenta antes de instalar ou retirar a bateria.
- Para retirar a bateria, desprend-a da ferramenta fazendo deslizar o botão existente na parte da frente da bateria.
- Para instalar a bateria, alinhe a lingueta da bateria com a ranhura existente na ferramenta e empurre-a para dentro. Empurre sempre a bateria bem até ao fundo; a bateria encaixa com um estalido. Se a zona vermelha da parte superior do botão estiver visível, isso significa que a bateria não está bem encaixada. Empurre-a bem até deixar de ver a parte vermelha. Se não ficar bem encaixada a bateria pode desprender-se acidentalmente da ferramenta e feri-lo a si ou as pessoas que estejam perto.
- Não introduza a bateria à força. Se a bateria não entrar facilmente, isso significa que não está a instalá-la correctamente.

Verificar a capacidade restante da bateria (BL1460A) (Fig. 2)

NOTA:

- Dependendo das condições de utilização e da temperatura ambiente, a indicação pode ser ligeiramente diferente da capacidade real.

Quando está a carregar

Quando a carga inicia, a primeira luz indicadora (extremo esquerdo) começa a piscar. De seguida, à medida que a carga avança, as restantes luzes acendem, uma após a outra, para indicar a capacidade da bateria.

NOTA:

- Se a luz indicadora não ligar ou piscar quando estiver a carregar, a bateria poderá estar anómala. Neste caso, solicite assistência ao seu centro de assistência local.

Quando estiver a utilizar

Quando a ferramenta é ligada, as luzes acendem para indicar a capacidade restante da bateria. Quando a ferramenta é desligada, a luz apaga após aprox. 5 segundos.

Quando premir o botão de verificação com a ferramenta desligada, as luzes indicadoras ligam durante aprox. 5 segundos para mostrar a capacidade da bateria.

Se a luz laranja piscar, a ferramenta para devido a pouca capacidade restante da bateria (mecanismo de paragem automática). Carregue a bateria ou utilize uma bateria carregada nesta altura.

Quando a ferramenta é utilizada com a bateria que não foi usada há muito tempo e estiver ligada, nenhuma luz poderá acender. A ferramenta para devido a pouca capacidade restante da bateria nesta altura. Carregue a bateria apropriadamente.

Interruptor de ligação (Fig. 3)

⚠ PRECAUÇÃO:

- Antes de instalar a bateria na ferramenta, verifique sempre se o interruptor de gatilho está a funcionar correctamente e se volta à posição "OFF" quando o soltar.

Para começar a utilizar a ferramenta basta pressionar o interruptor de gatilho. Para parar solte o gatilho.

Interruptor de inversão (Fig. 4)

⚠ PRECAUÇÃO:

- Antes de utilizar a ferramenta verifique sempre a direcção da rotação.
- Utilize apenas o interruptor de inversão depois da ferramenta ter parado completamente. Se alterar a direcção de rotação antes da ferramenta parar, pode danificar a ferramenta.
- Quando não estiver a utilizar a ferramenta, coloque sempre o manípulo do interruptor de inversão na posição neutra.

Esta ferramenta tem um interruptor de inversão para alterar a direcção da rotação. Carregue no lado A do manípulo do interruptor de inversão para fazer a rotação para a direita e no lado B para fazer a rotação para a esquerda.

Quando o interruptor de inversão estiver na posição neutra, não consegue accionar o interruptor de gatilho.

Acender as lâmpadas (Fig. 5)

⚠ PRECAUÇÃO:

- Não olhe para a luz ou para a fonte de luz directamente.

Puxe o interruptor de gatilho para fazer acender a lâmpada. A lâmpada mantém-se acesa enquanto estiver a carregar no interruptor de gatilho.

A luz apaga-se automaticamente 10 segundos depois de soltar o interruptor de gatilho.

NOTA:

- Utilize um pano seco para limpar a sujidade da lente da lâmpada. Tenha cuidado para não riscar a lente da lâmpada pois pode reduzir a luz da mesma.

Indicador LED/Sinal sonoro (Fig. 6)

Indicador LED/Sinal sonoro na ferramenta que mostra as seguintes funções.

Estado do indicador LED/ Sinal sonoro		Função	Estado	Acção a executar
Indicador LED	Sinal sonoro			
Acende-se com uma luz verde → vermelha → azul → branca, nessa ordem.	Uma série de sinais sonoros muito curtos.	Verificação do indicador LED, luz e sinal sonoro (ao carregar no gatilho pela primeira vez depois de instalar a bateria na ferramenta).	Verifique se as luzes LED verde, vermelha, azul e branca se acendem e se o sinal sonoro soa correctamente.	—
Acende-se com uma luz verde durante cerca de um segundo.	—	Paragem automática da tensão de aperto	Esta função funciona quando a ferramenta atingir a tensão de aperto pré-regulada e o aperto normal estiver concluído. Isto impede que aperte demais.	—
Pisca lentamente com uma luz púrpura.	Uma série de sinais sonoros longos	Aviso relativo à carga da bateria	Indica a altura em que deve substituir a bateria quando a carga está baixa.	Substitua a bateria por uma completamente carregada.
Acende-se com uma luz púrpura.	Um sinal sonoro longo	Verificação da capacidade restante da bateria, paragem automática	Esta função funciona quando a carga da bateria estiver quase no fim. Nessa altura, a ferramenta pára imediatamente.	Substitua a bateria por uma completamente carregada.
Acende-se com uma luz vermelha e verde alternadamente.	Uma série de sinais sonoros curtos	Contra-regulação do controlador	Esta função funciona quando, por qualquer razão, ocorre uma diminuição anormal da voltagem da bateria e a ferramenta pára.	Substitua a bateria por uma completamente carregada.
		Falha do motor	Esta função é accionada quando o motor falha.	Leve a um centro de autorizada assistência Makita.
Pisca rapidamente com uma luz vermelha.	Uma série de sinais sonoros curtos	Sobreaquecimento	Esta função é activada se a temperatura do controlador ou motor aumentar para um alto nível e a ferramenta pára.	Retire imediatamente a bateria e deixe a ferramenta arrefecer.
Pisca com uma luz vermelha e amarela alternadamente.	Um sinal sonoro longo	Aviso de aperto insuficiente	O aperto não é concluído se soltar o gatilho da ferramenta antes da embraiagem engatar.	—
		Deteção de duplo impacto	Esta função é activada quando um parafuso é reapertado outra vez depois de ser apertado.	—

011001

Regular a tensão de aperto

Quando quiser aparafusar parafusos de máquina, parafusos para madeira, parafusos sextavados; etc. com a tensão de aperto predeterminada, regule esta última da forma seguinte.

1. Primeiro retire a bateria da ferramenta.
2. Solte e retire o parafuso que prende o anel.
(Soltar os dois parafusos que prendem o anel só para a DFL201F) (Fig. 7)
3. Rode o anel existente na parte da frente da ferramenta à mão, para que o orifício existente por baixo do anel fique visível.
4. Coloque a bateria no lugar e pressione o interruptor de gatilho. Solte-o de forma que o anel de ajuste rode e o orifício fique visível, como ilustrado (Fig. 8). Depois retire a bateria.
5. Utilize um punho de ajuste adicional para ajustar a tensão de aperto. Introduza o pino do punho de ajuste no orifício na parte da frente da ferramenta. Depois, rode o punho de ajuste para a direita para regular uma tensão de aperto maior e para a esquerda para regular uma tensão de aperto menor. (Fig. 9)
6. Alinhe a extremidade do anel de regulação com o número desejado na escala no binário de aperto.
7. Introduza a bateria e verifique se regulou a tensão de aperto utilizando um verificador da tensão de aperto.
8. Rode o anel de forma que o orifício do punho de ajuste fique coberto, segure e prenda o anel com o parafuso.

NOTA:

- Os números da escala da tensão de aperto servem de guia para regular a tensão de aperto desejada.

ASSEMBLAGEM

⚠ PRECAUÇÃO:

- Certifique-se sempre de que a ferramenta está desligada e a bateria retirada antes de executar qualquer manutenção na ferramenta.

Seleção do conector correcto

Há diferentes tipos de conectores para alguns modelos dependendo das aplicações. Escolha e instale o conector correcto para a sua aplicação.

Instalar ou retirar o conector (Fig. 10)

Para instalar o conector, empurre-o para o cubo de transmissão da ferramenta com uma mão e carregando num pino do cubo de transmissão com a outra mão até o encaixar no lugar. Para retirar o conector, basta puxá-lo carregando no pino do cubo de transmissão.

FUNCIONAMENTO

Agarre na ferramenta firmemente e coloque o conector sobre o perno ou porca. Em seguida ligue a ferramenta. Quando a embraiagem engata, o motor pára automaticamente. Nessa altura solte o interruptor de gatilho. (Fig. 11)

NOTA:

- Agarre na ferramenta com o cubo de transmissão apontado direito para o perno ou porca, ou o perno ou a porca ficarão estragados.

Limites da capacidade de tensão de aperto

Utilize a ferramenta dentro dos limites do ângulo de rotação, até 360°. Se utilizar a ferramenta para além do limite superior, a embraiagem não funciona. E a ferramenta não pode fornecer uma tensão de aperto suficiente (o indicador LED pisca lentamente com uma luz púrpura ou acende-se com uma luz púrpura).

NOTA:

- O ângulo de rotação é o ângulo a que o parafuso/perno roda quando a ferramenta atinge os 100% de 50% da tensão de aperto desejada.
- Por vezes, se utilizar uma bateria carregada a uma temperatura baixa, pode activar o indicador luminoso e o sinal sonoro de aviso relativos à capacidade da bateria fazendo com que a ferramenta pare imediatamente. Se isso acontecer, a capacidade de tensão de aperto pode ser inferior à indicada nas especificações deste manual, mesmo que esteja a utilizar uma bateria carregada.

MANUTENÇÃO

⚠ PRECAUÇÃO:

- Certifique-se sempre de que a ferramenta se encontra desligada e de que a bateria foi retirada antes de executar qualquer inspecção ou manutenção.
- Nunca utilize gasolina, benzina, diluente, álcool ou produtos semelhantes. Pode ocorrer a descoloração, deformação ou rachaduras.

Para manter a SEGURANÇA e FIABILIDADE, as reparações e outras acções de manutenção ou ajustes devem ser executados pelos centros de assistência autorizados da Makita, utilizando sempre peças de substituição Makita.

ACESSÓRIOS OPCIONAIS

⚠ PRECAUÇÃO:

- Estes acessórios ou acoplamentos são os recomendados para uso na ferramenta MAKITA especificada neste manual. A utilização de quaisquer outros acessórios ou acoplamento poderá ser perigosa para o operador. Os acessórios ou acoplamentos devem ser utilizados de maneira adequada e apenas para os fins a que se destinam.

No caso de necessitar assistência para mais detalhes sobre estes acessórios, consulte o centro de assistência Makita local.

- Bateria e carregador genuíno Makita
- Punho de ajuste
- Protector
- Conjunto de cabeça angular (Só para modelo DFL201F)
- Acessório antirretorno

NOTA:

- Alguns itens da lista podem estar incluídos na embalagem da ferramenta como acessórios padrão. Eles podem variar de país para país.

Ruído

A característica do nível de ruído A determinado de acordo com EN62841-2-2:

Modelo DFL201F, DFL402F

Nível de pressão de som (L_{pA}): 72 dB (A)

Variabilidade (K): 3 dB (A)

O nível de ruído durante o trabalho pode exceder 80 dB (A).

Modelo DFL301F

Nível de pressão de som (L_{pA}): 74 dB (A)

Variabilidade (K): 3 dB (A)

O nível de ruído durante o trabalho pode exceder 80 dB (A).

ENG907-1

NOTA:

- O(s) valor(es) da emissão de ruído indicado(s) foi medido de acordo com um método de teste padrão e pode ser utilizado para comparar duas ferramentas.
- O(s) valor(es) da emissão de ruído indicado(s) pode também ser utilizado na avaliação preliminar da exposição.

⚠ AVISO:

- **Utilize protectores auriculares.**
- **A emissão de ruído durante a utilização real da ferramenta eléctrica pode diferir do(s) valor(es) indicado(s), dependendo das formas como a ferramenta é utilizada, especialmente o tipo de peça de trabalho que é processada.**
- **Certifique-se de identificar as medidas de segurança para protecção do operador que sejam baseadas em uma estimativa de exposição em condições reais de utilização (considerando todas as partes do ciclo de operação, tal como quando a ferramenta está desligada e quando está a funcionar em marcha lenta além do tempo de accionamento).**

ENG900-1

Vibração

O valor total da vibração (soma vectorial tri-axial) determinado de acordo com EN62841-2-2:

Modo de funcionamento: perfuração sem impacto

Emissão de vibração (a_h): 2,5 m/s² ou inferior

Variabilidade (K): 1,5 m/s²

NOTA:

- O(s) valor(es) total(ais) de vibração indicado(s) foi medido de acordo com um método de teste padrão e pode ser utilizado para comparar duas ferramentas.
- O(s) valor(es) total(ais) de vibração indicado(s) pode também ser utilizado na avaliação preliminar da exposição.

⚠ AVISO:

- **A emissão de vibração durante a utilização real da ferramenta eléctrica pode diferir do(s) valor(es) indicado(s), dependendo das formas como a ferramenta é utilizada, especialmente o tipo de peça de trabalho que é processada.**
- **Certifique-se de identificar as medidas de segurança para protecção do operador que sejam baseadas em uma estimativa de exposição em condições reais de utilização (considerando todas as partes do ciclo de operação, tal como quando a ferramenta está desligada e quando está a funcionar em marcha lenta além do tempo de accionamento).**

DECLARAÇÃO DE CONFORMIDADE CE**Apenas para países europeus**

A declaração de conformidade da CE está incluída no Anexo A deste manual de instruções.

Illustrationsoversigt

1 Rød del	8 Lampe	15 Justeringshåndtag
2 Knap	9 LED indikator	16 Hul til justeringshåndtag
3 Akku	10 Skruer	17 Gul linje
4 Indikatorlamper	11 Vinkelhoved	18 Trykfjeder
5 Kontrolknap	12 Justeringsring	19 Top
6 Afbryder	13 Ring	20 Hul
7 Omløbsvælger	14 Skala	21 Stift

SPECIFIKATIONER

Model		DFL201F	DFL301F	DFL402F
Drejningsmoment	Kraftig iskruning	8 – 20 N•m	16 – 30 N•m	25 – 40 N•m
	Let iskruning	8 – 20 N•m	16 – 30 N•m	25 – 40 N•m
Firkantdrev		9,5 mm	9,5 mm	9,5 mm
Omdrejninger ubelastet (min ⁻¹)		360	260	200
Samlet længde (Afhængigt af batteriet)		417 – 429 mm	465 – 477 mm	465 – 477 mm
Vægt		1,5 – 2,1 kg	1,7 – 2,1 kg	1,7 – 2,1 kg
Spænding		D.C. 14,4 V		

- På grund af vores kontinuerlige forskningsprogrammer og udvikling, kan hosstående specifikationer blive ændret uden varsel.
- Specifikationer kan variere fra land til land.
- Vægten kan variere afhængigt af tilbehøret, inklusive akkuen. Den letteste og tungeste kombination, i henhold til EPTA-Procedure 01/2014, er vist i tabellen.

Anvendelig akku og oplader

Akku	BL1415N / BL1415NA / BL1430 / BL1430B / BL1440 / BL1450 / BL1460A / BL1460B
Oplader	DC18RC / DC18RD / DC18RE / DC18SD / DC18SE / DC18SF

- Nogle af ovenstående akkuer og opladere er muligvis ikke tilgængelige, afhængigt af hvilket område du bor i.

⚠ ADVARSEL: Du må kun anvende ovenstående akkuer og opladere. Brug af andre akkuer og opladere kan medføre personskaade og/eller brand.

ENE033-1

GEB139-1

Tilsigtet anvendelse

Denne maskine er beregnet til skruining i træ, metal og plasticmaterialer.

GEA010-2

SIKKERHEDSADVARSLER FOR AKKU SKRUETRÆKKER

Almindelige sikkerhedsregler for el-værktøj

⚠ ADVARSEL! Læs alle de sikkerhedsadvarsler, instruktioner, illustrationer og specifikationer, der følger med denne maskine. Forsømmelse af at overholde alle nedenstående instruktioner kan medføre elektrisk stød, brand og/eller alvorlig personskaade.

Gem alle advarsler og instruktioner til fremtidig reference.

Ordet "el-værktøj" i advarselne henviser til det netforsynede (netledning) el-værktøj eller batteriforsynede (akku) el-værktøj.

1. **Hold maskinen i de isolerede grebflader, når der udføres et arbejde, hvor fastgørelsesmidlet kan komme i kontakt med skjulte ledninger.** Fastgørelsesmidler, der kommer i kontakt med en strømførende ledning, kan bevirke, at udsatte metaldele på maskinen bliver strømførende, hvorved operatøren kan få elektrisk stød.
2. **Sørg altid for, at du har et godt fodfæste.** Sørg for, at der ikke befinder sig nogen under dig, når maskinen anvendes på højtliggende steder.
3. **Hold godt fast i maskinen.**
4. **Hold hænderne på afstand af roterende dele.**
5. **Rør ikke ved bitten eller arbejdsemnet umiddelbart efter anvendelse.** De kan begge være meget varme og forårsage forbrænding af huden.
6. **Fastgør altid arbejdsemnet i en skruestik eller lignende udstyr til fastgørelse.**

GEM DENNE BRUGSANVISNING.

ADVARSEL:

LAD IKKE bekvemmelighed eller kendskab til produktet (opnået gennem gentagen brug) forhindre, at sikkerhedsforskrifterne for produktet nøje overholdes.

MISBRUG eller forsømmelse af at følge de i denne brugsvejledning givne sikkerhedsforskrifter kan føre til, at De kommer alvorligt til skade.

ENC007-12

VIGTIGE SIKKERHEDSINSTRUKTIONER FOR AKKUEN

1. Læs alle instruktioner og advarselmærkater på (1) akku-opladeren, (2) akkuen og (3) produktet, som anvender akku.
2. Lad være med at skille akkuen ad.
3. Hold straks op med anvendelsen, hvis brugstiden er blevet stærkt afkortet. Fortsat anvendelse kan resultere i risiko for overophedning, forbrændinger og endog eksplosion.
4. Hvis De har fået elektrolytvæske i øjnene, skal De straks skylle den ud med rent vand og derefter øjeblikkeligt søge lægehjælp. I modsat fald kan De miste synet.
5. Vær påpasselig med ikke at komme til at kortslutte akkuen:
 - (1) Rør ikke ved terminalerne med noget ledende materiale.
 - (2) Undgå at opbevare akkuen i en beholder sammen med andre genstande af metal, for eksempel søm, mønter og lignende.
 - (3) Udsæt ikke akkuen for vand eller regn.

Kortslutning af akkuen kan forårsage en kraftig øgning af strømmen, overophedning, mulige forbrændinger og endog værktøjstopt.

6. Opbevar ikke værktøjet og akkuen på et sted, hvor temperaturen kan nå eller overstige 50°C.
7. Lad være med at brænde akkuen, selv ikke i tilfælde, hvor den har lidt alvorlig skade eller er fuldstændig udtjent. Akkuen kan eksplodere, hvis man forsøger at brænde den.
8. Lad være med at brænde akkuen eller udsætte den for stød.
9. Anvend ikke en beskadiget akku.
10. De indbyggede litium-ion-batterier er underlagt lovkrav vedrørende farligt gods. Ved kommerciel transport, f.eks. af tredjeparts transportselskaber, skal særlige krav til forpakning og mærkning overholdes. Ved forberedelse af udstyret til forsendelse skal du kontakte en ekspert i farligt gods. Overhold også eventuel mere detaljeret national lovgivning. Tape eller tildæk åbne kontakter, og pak batteriet på en måde, så det ikke kan flytte sig rundt i pakningen.
11. Følg de lokale love vedrørende bortskaffelsen af batterier.
12. Brug kun batterierne med de produkter, som Makita specificerer. Hvis batterierne installeres i ikke-kompatible produkter, kan det medføre brand, kraftig varme, eksplosion eller udsivning af elektrolyt.

GEM DENNE BRUGSANVISNING.

FORSIGTIG:

Brug kun originale batterier fra Makita. Brug af uoriginale Makita-batterier, eller batterier som er blevet ændret, kan muligvis medføre brud på batteriet, hvilket kan forårsage brand, personskade eller beskadigelse. Det ugyldiggør også Makita-garantien for Makita-maskinen og opladeren.

Tips til opnåelse af maksimal akku-levetid

1. Oplad akkuen, inden den er helt afladet. Stop altid værktøjet, og oplad akkuen, hvis De bemærker, at værktøjeffekten er aftagende.
2. Genoplad aldrig en fuldt opladet akku. Overopladning vil afkorte akkuens levetid.
3. Oplad akkuen ved stuetemperatur ved 10°C – 40°C. Lad altid en varm akku få tid til at køle af, inden den oplades.
4. Oplad akkuen, hvis De ikke skal bruge den i længere tid (mere end seks måneder).

FUNKTIONSBESKRIVELSE

FORSIGTIG:

• Sørg altid for at maskinen er slukket, og at akkuen er taget ud, før der udføres justering eller kontrol af funktioner på maskinen.

Isætning og udtagning af akku (Fig. 1)

- Sluk altid for maskinen, før akkuen sættes i eller tages ud.
- For at fjerne akkuen skydes knappen på forsiden af akkuen til siden, mens akkuen trækkes ud af maskinen.
- Isæt akkuen ved at rette dens tunge ind efter rillen i huset. Skyd derefter akkuen helt ind, til den låser på plads med et klik. Hvis De kan se den røde del på den øvre del af knappen, er akkuen ikke låst korrekt. Skyd den helt ind, indtil den røde del ikke kan ses. Hvis akkuen ikke sættes i på denne måde, kan den ved et uheld falde ud af maskinen, og eventuelt forvolde personskade på Dem selv eller personer i nærheden.
- Brug aldrig magt, når akkuen sættes i. Hvis ikke akkuen glider i uden besvær, er det fordi, at den vender forkert.

Kontrol af den resterende batterikapacitet (BL1460A) (Fig. 2)

BEMÆRK:

• Afhængigt af brugsforholdene og den omgivende temperatur kan indikationen afvige en smule fra den faktiske ladning.

Under opladning

Når opladningen starter, begynder den første indikatorlampe (længst mod venstre) at blinke. Efterhånden som opladningen fortsætter, lyser de andre lamper derefter én efter én for at angive batterikapaciteten.

BEMÆRK:

• Hvis indikatorlampen ikke tændes eller blinker under opladningen, er batteriet muligvis defekt. Kontakt i så fald det lokale servicecenter.

Under brug

Når der tændes for maskinen, lyser lamperne for at vise den resterende batterikapacitet. Når der slukkes for maskinen, går lyset ud efter cirka 5 sekunder.

Hvis du trykker på kontrolknappen, mens der er slukket for maskinen, lyser indikatorlamperne i cirka 5 sekunder for at vise batterikapaciteten.

Hvis den orange lampe blinker, stopper maskinen på grund af lav resterende batterikapacitet (automatisk stopmekanisme). Oplad akkuen, eller brug en opladet akku på dette tidspunkt.

Hvis maskinen anvendes med et batteri, der ikke har været brugt i længere tid, og der tændes for den, lyser ingen af lamperne muligvis. Maskinen stopper på grund af lav resterende batterikapacitet på dette tidspunkt. Oplad batteriet korrekt.

Afbryderbetjening (Fig. 3)

FORSIGTIG:

• Inden akkuen sættes i maskinen, bør De altid kontrollere, at afbryderen fungerer korrekt og returnerer til "OFF" positionen, når den slippes.

For at starte maskinen trykkes der blot på afbryderen. Slip afbryderen for at stoppe.

Omløbsvælger (Fig. 4)

FORSIGTIG:

- Kontroller altid omløbsretningen, inden arbejdet påbegyndes.
- Flyt kun omløbsvælgeren, når maskinen er helt standset. Hvis omløbsretningen ændres, inden maskinen er helt stoppet, kan det beskadige maskinen.
- Sæt altid omløbsvælgeren i neutral stilling, når maskinen ikke anvendes.

Denne maskinen har en omløbsvælger til at skifte omløbsretning. Skub omløbsvælgeren ind fra A-siden for omdrejning med uret, og fra B-siden for omdrejning mod uret.

Når omløbsvælgeren er i neutral stilling, kan afbryderen ikke trykkes ind.

Tænd af lamperne (Fig. 5)

FORSIGTIG:

- Kig aldrig direkte på lyskilden. Lad ikke lyset falde i Deres øjne.

Tryk afbryderen ind for at tænde lampen. Lampen bliver ved med at lyse, så længe afbryderen holdes inde. Lyser slukker automatisk efter 10 sekunder, når afbryderen slippes.

BEMÆRK:

- Anvend en tør klud til at tørre snavs af lampens linse. Undgå at ridse lampens linse, da det kan nedsætte lysstyrken.

LED-indikator/bipper (Fig. 6)

LED-indikatoren/bipperen på maskinen viser følgende funktioner.

Status på LED indikator/Bipper		Funktion	Status	Handling der skal udføres
LED indikator	Bipper			
Lyser grønt → rødt → blåt → hvidt i rækkefølge.	En serie af meget korte biplyde	Kontroller LED-indikatoren, lyset og bipperen (når du trykker afbryderen ind for første gang, efter at akkuen er sat i maskinen).	Kontroller, at de grønne, røde, blå og hvide LED-indikatorer lyser og bipper korrekt.	—
Lyser grønt i cirka et sekund.	—	Automatisk stop af fastspænding	Denne funktion aktiveres, når maskinen har nået det forindstillede drejningsmoment, og normal fastspænding er fuldført. Dette hjælper til at undgå overiskrning.	—
Blinker langsomt i violet.	En serie af lange biplyde	Advarsel vedrørende akkukapacitet	Dette angiver det passende tidspunkt for udskiftning af akkuen, når der ikke længere er meget strøm tilbage på akkuen.	Udskift akkuen med en fuldt opladet.
Lyser violet.	En lang biplyd	Kontrol af tilbageværende akkukapacitet, automatisk stop.	Denne funktion aktiveres, når strømmen er næsten opbrugt. Maskinen stopper øjeblikkeligt.	Udskift akkuen med en fuldt opladet.
Lyser skiftevis rødt og grønt.	En serie af korte biplyde	Anti-nulstilling af kontrolanordning	Denne funktion aktiveres, når et unormalt fald i akkuspænding indtræffer af en eller anden grund og maskinen stopper.	Udskift akkuen med en fuldt opladet.
		Motorsammenbrud	Denne funktion fungerer, hvis motoren bryder sammen.	Indlevér maskinen til et autoriseret Makita-servicecenter.
Blinker hurtigt rødt.	En serie af korte biplyde	Overophedning	Denne funktion aktiveres, hvis temperaturen i kontrolenheden eller motoren når et højt niveau, og maskinen stopper.	Udtag øjeblikkeligt akkuen og lad den afkøle.
Blinker skiftevis i rødt og gult.	En lang biplyd	Advarsel om utilstrækkelig fastgøring	Fastgøringen er utilstrækkelig, hvis afbryderen udløses, inden aktivering af koblingen.	—
		Detektering af dobbeltslag	Denne funktion fungerer, når en skrue fastgøres igen efter den første fastgøring.	—

011001

Justering af drejningsmoment

Når De ønsker at iskrue maskinskruer, træskruer, sekskantbolte, osv. med et forindstillet drejningsmoment, justeres drejningsmomentet som følger.

1. Tag første akkuen ud af maskinen.
2. Løsn og fjern den skrue, der holder ringen. (Løsn de to skruer, som fastholder ringen udelukkende for DFL201F) (Fig. 7)
3. Drej ringen forrest på maskinen med hånden, indtil der ses et hul under ringen.
4. Sæt akkuen i, og tryk på afbryderen. Løsn dem, så justeringsringen drejer og hullet bliver synligt som vist på illustrationen (Fig. 8). Tag derefter akkuen ud.
5. Anvend et justeringshåndtag (ekstraudstyr) til at indstille drejningsmomentet. Før stiftene på justeringshåndtaget ind i hullet forrest på maskinen. Drej derefter justeringshåndtaget med uret for at indstille et højere drejningsmoment, og mod uret for at indstille et mindre drejningsmoment. (Fig. 9)
6. Juster kanten af justeringsringen med det ønskede tal på drejningsmomentskalaen.
7. Sæt akkuen i, og benyt en momentnøgle til at kontrollere, at det korrekte drejningsmoment er blevet indstillet.
8. Drej ringen, så hullet til justeringshåndtaget er dækket, hold og fastgør derefter ringen med skruen.

BEMÆRK:

- Tallene på skalaen for drejningsmoment er ment som vejledende til hjælp ved indstilling af det ønskede drejningsmoment.

SAMLING

⚠ FORSIGTIG:

- Sørg altid for at maskinen er slukket, og at akkuen er taget ud, før der udføres noget arbejde på maskinen.

Valg af korrekt top

Til nogle modeller findes der forskellige typer toppe, afhængigt af anvendelsen. Vælg og monter den top, der passer til din anvendelse.

Montering og afmontering af top (Fig. 10)

Toppen monteres ved at man, mens man med den ene hånd trykker stiftene på den firkantede kraftoverføring ind, sætter toppen på den firkantede kraftoverføring på maskinen, indtil toppen låser på plads. Toppen afmonteres ved at man ganske enkelt trækker den af, mens man holder stiftene på den firkantede kraftoverføring inde.

BETJENING

Hold maskinen fast, og sæt toppen over boltene eller møtrikken. Tænd for maskinen. Motoren stopper automatisk, når koblingen slår til. Slip derefter afbryderen. (Fig. 11)

BEMÆRK:

- Hold maskinen, så firkantdrevet vender direkte mod boltene eller møtrikken. I modsat fald kan boltene eller møtrikken blive beskadiget.

Grænser for fastspændingskapacitet

Anvend maskinen inden for området af omdrejningsvinklen op til 360°. Hvis maskinen anvendes over den øvre grænse for dette område, vil koblingen ikke fungere. Og maskinen kan ikke levere et tilstrækkeligt tilspændingsmoment (LED-indikatoren blinker langsomt i violet eller lyser i violet).

BEMÆRK:

- Omdrejningsvinkel henviser til den vinkel (afstand), som en skrue/bolt drejer, når maskinen opnår 100% til 50% af det ønskede drejningsmoment.
- Anvendelse af en akku med en meget lav temperatur kan sommetider udløse en advarsel om lav akkukapacitet gennem aktiveret advarselslampe og biplyd, hvilket får maskinen til at stoppe øjeblikkeligt. I dette tilfælde kan fastspændingskapaciteten være mindre end specifikationen i dette brugsanvisning, selv hvis en opladet akku anvendes.

VEDLIGEHOLDELSE

⚠ FORSIGTIG:

- Sørg altid for at maskinen er slukket, og at akkuen er taget ud før der gennemføres noget arbejde på selve maskinen.
- Anvend aldrig benzin, rensebenzin, fortynder, alkohol og lignende. Resultatet kan blive misfarvning, deformation eller revner.

For at opretholde produktets SIKKERHED og PALIDELIGHED bør reparationer, anden vedligeholdelse eller justeringer altid udføres af et Makita Service Center, idet der altid bør anvendes Makita reservedele.

EKSTRAUDSTYR

⚠ FORSIGTIG:

- Dette udstyr og tilbehør bør anvendes sammen med Deres Makita maskine, sådan som det er beskrevet i denne vejledning. Anvendelse af andet udstyr eller tilbehør kan medføre personskaade. Tilbehøret bør kun anvendes til det, det er beregnet til.

Hvis De behøver assistance eller yderligere detaljer om dette tilbehør, bedes De kontakte Deres lokale Makita servicecenter.

- Original Makita-akku og oplader
- Justeringshåndtag
- Beskyttelseshætte
- Vinkelhovedsæt (Kun for model DFL201F)
- Tilbehør til modvirkning af tilbageslag

BEMÆRK:

- Nogle ting på denne liste kan være inkluderet i værktøjsspakken som standardtilbehør. Det kan være forskelligt fra land til land.

Lyd

Det typiske A-vægtede støjniveau bestemt i overensstemmelse med EN62841-2-2:

Model DFL201F, DFL402F

Lydtryksniveau (L_{pA}): 72 dB (A)

Usikkerhed (K): 3 dB (A)

Støjniveauet under arbejde kan overstige 80 dB (A).

Model DFL301F

Lydtryksniveau (L_{pA}): 74 dB (A)

Usikkerhed (K): 3 dB (A)

Støjniveauet under arbejde kan overstige 80 dB (A).

ENG907-1

BEMÆRK:

- De(n) angivne støjemissionsværdi(er) er målt i overensstemmelse med en standardtestmetode og kan anvendes til at sammenligne en maskine med en anden.
- De(n) angivne støjemissionsværdi(er) kan også anvendes i en præliminær eksponeringsvurdering.

⚠ ADVARSEL:

- **Bær høreværn.**
- **Støjemissionen under den faktiske anvendelse af maskinen kan være forskellig fra de(n) angivne værdi(er), afhængigt af den måde hvorpå maskinen anvendes, især den type arbejdsemne der behandles.**
- **Sørg for at identificere de sikkerhedsforskrifter til beskyttelse af operatøren, som er baseret på en vurdering af eksponering under de faktiske brugsforhold (med hensyntagen til alle dele i brugscyklussen, f.eks. de gange, hvor maskinen er slukket, og når den kører i tomgang i tilgift til afbrydertiden).**

ENG900-1

Vibration

Vibrations totalværdi (tre-aksial vektorsum) bestemt i overensstemmelse med EN62841-2-2:

Arbejdsindstilling: iskruning uden slag

Vibrationsafgivelse (a_h): 2,5 m/s² eller mindre

Usikkerhed (K): 1,5 m/s²

ENG901-2

BEMÆRK:

- De(n) angivne totalværdi(er) for vibration er målt i overensstemmelse med en standardtestmetode og kan anvendes til at sammenligne en maskine med en anden.
- De(n) angivne totalværdi(er) for vibration kan også anvendes i en præliminær eksponeringsvurdering.

⚠ ADVARSEL:

- **Vibrationsemissionen under den faktiske anvendelse af maskinen kan være forskellig fra de(n) angivne værdi(er), afhængigt af den måde hvorpå maskinen anvendes, især den type arbejdsemne der behandles.**
- **Sørg for at identificere de sikkerhedsforskrifter til beskyttelse af operatøren, som er baseret på en vurdering af eksponering under de faktiske brugsforhold (med hensyntagen til alle dele i brugscyklussen, f.eks. de gange, hvor maskinen er slukket, og når den kører i tomgang i tilgift til afbrydertiden).**

Περιγραφή γενικής άποψης

1 Κόκκινο τμήμα	8 Λαμπάκι	15 Προσαρμοστική λαβή
2 Κουμπί	9 Ένδειξη LED	16 Οπή για προσαρμοστική λαβή
3 Κασέτα μπαταρίας	10 Βίδες	17 Κίτρινη γραμμή
4 Ενδεικτικές λυχνίες	11 Γωνιακή κεφαλή	18 Ελατήριο συμπίεσης
5 Κουμπί ελέγχου	12 Δακτύλιος ρύθμισης	19 Υποδοχή
6 Σκανδάλη διακόπτης	13 Δακτύλιος	20 Οπή
7 Μοχλός διακόπτη αντιστροφής	14 Κλίμακα	21 Πείρος

ΤΕΧΝΙΚΑ ΧΑΡΑΚΤΗΡΙΣΤΙΚΑ

Μοντέλο	DFL201F	DFL301F	DFL402F	
Ροπή στερέωσης	Σκληρός σύνδεσμος	8 – 20 N•m	16 – 30 N•m	25 – 40 N•m
	Μαλακός σύνδεσμος	8 – 20 N•m	16 – 30 N•m	25 – 40 N•m
Τετραγωνικός οδηγός	9,5 χιλ	9,5 χιλ	9,5 χιλ	
Ταχύτητα χωρίς φορτίο (λεπ ⁻¹)	360	260	200	
Συνολικό μήκος (Ανάλογα με την μπαταρία)	417 – 429 χιλ	465 – 477 χιλ	465 – 477 χιλ	
Καθαρό βάρος	1,5 – 2,1 χγρ	1,7 – 2,1 χγρ	1,7 – 2,1 χγρ	
Καθορισμένο βολτάζ	D.C. 14,4 V			

- Λόγω του συνεχόμενου προγράμματος που εφαρμόζουμε για έρευνα και ανάπτυξη, τα τεχνικά χαρακτηριστικά στο παρόν έντυπο υπόκεινται σε αλλαγή χωρίς προειδοποίηση.
- Τα τεχνικά χαρακτηριστικά δύνανται να διαφέρουν από χώρα σε χώρα.
- Το βάρος μπορεί να διαφέρει ανάλογα με το(α) εξάρτημα(τα), συμπεριλαμβανομένης της κασέτας μπαταριών. Ο ελαφρύτερος και βαρύτερος συνδυασμός, σύμφωνα με τη διαδικασία ΕΡΤΑ 01/2014, παρουσιάζονται στον πίνακα.

Ισχύουσα κασέτα μπαταρίας και φορτιστής

Κασέτα μπαταρίας	BL1415N / BL1415NA / BL1430 / BL1430B / BL1440 / BL1450 / BL1460A / BL1460B
Φορτιστής	DC18RC / DC18RD / DC18RE / DC18SD / DC18SE / DC18SF

- Μερικές από τις κασέτες μπαταρίας και φορτιστές που παρατίθενται ανωτέρω μπορεί να μην διατίθενται ανάλογα με την περιοχή κατοικίας σας.

⚠️ ΠΡΟΕΙΔΟΠΟΙΗΣΗ: Να χρησιμοποιείτε μόνο τις κασέτες μπαταρίας και φορτιστές που παρατίθενται ανωτέρω. Η χρήση οποιωνδήποτε άλλων κασετών μπαταρίας και φορτιστών μπορεί να προκαλέσει τραυματισμό ή/και πυρκαγιά.

ENE033-1

Προοριζόμενη χρήση

Αυτό το εργαλείο προορίζεται για βίδωμα σε ξύλο, μέταλλο και πλαστικό.

GEA010-2

Γενικές προειδοποιήσεις ασφαλείας για το ηλεκτρικό εργαλείο

⚠️ ΠΡΟΕΙΔΟΠΟΙΗΣΗ Διαβάστε όλες τις προειδοποιήσεις ασφαλείας, οδηγίες, εικονογραφίες και προδιαγραφές που παρέχονται με αυτό το ηλεκτρικό εργαλείο. Η μη τήρηση όλων των οδηγιών που αναγράφονται κατωτέρω μπορεί να καταλήξει σε ηλεκτροπληξία, πυρκαγιά ή/και σοβαρό τραυματισμό.

Φυλάξτε όλες τις προειδοποιήσεις και τις οδηγίες για μελλοντική παραπομπή.

Στις προειδοποιήσεις, ο όρος “ηλεκτρικό εργαλείο” αναφέρεται σε ηλεκτρικό εργαλείο που τροφοδοτείται από την κύρια παροχή ηλεκτρικού ρεύματος (με ηλεκτρικό καλώδιο) ή σε ηλεκτρικό εργαλείο που τροφοδοτείται από μπαταρία (χωρίς ηλεκτρικό καλώδιο).

GEB139-1

ΠΡΟΕΙΔΟΠΟΙΗΣΕΙΣ ΑΣΦΑΛΕΙΑΣ ΓΙΑ ΤΟ ΑΣΎΡΜΑΤΟ ΚΑΤΣΑΒΪΔΙ

1. **Να κρατάτε το ηλεκτρικό εργαλείο από τις λαβές με μόνωση όταν εκτελείτε εργασίες κατά τις οποίες ο συνδετήρας μπορεί να έρθει σε επαφή με κρυμμένα καλώδια.** Αν ο συνδετήρας έρθει σε επαφή με κάποιο ηλεκτροφόρο καλώδιο, μπορεί τα εκτεθειμένα μεταλλικά μέρη του ηλεκτρικού εργαλείου να γίνουν κι αυτά ηλεκτροφόρα και να προκληθεί ηλεκτροπληξία στο χειριστή.

2. Να φροντίζετε πάντα να στέκεστε σταθερά. Βεβαιωθείτε ότι δεν υπάρχει άτομο ακριβώς από κάτω, όταν χρησιμοποιείτε το ηλεκτρικό εργαλείο σε υψηλά σημεία.
3. Να κρατάτε το εργαλείο σταθερά.
4. Να διατηρείτε τα χέρια σας μακριά από τα περιστρεφόμενα μέρη.
5. Μην αγγίζετε τη μύτη ή το τεμάχιο εργασίας αμέσως μετά τη λειτουργία του εργαλείου. Μπορεί να είναι εξαιρετικά θερμά και να προκληθεί έγκαιμο στο δέρμα σας.
6. Να ασφαρίζετε πάντα τα τεμάχια εργασίας σε μέγγενη ή παρόμοια διάταξη συγκράτησης.
9. Μην χρησιμοποιείτε μπαταρία που έχει υποστεί ζημία.
10. Οι μπαταρίες ιόντων λιθίου που περιέχονται υποκείμενα στις απαιτήσεις της νομοθεσίας για επικίνδυνα αγαθά.
Για εμπορικές μεταφορές, για παράδειγμα από τρίτα μέρη, πρέπει να τηρούνται οι διαμεταφορές, οι ειδικές απαιτήσεις στη συσκευασία και η επισήμανση.
Για προτοιμασία του στοιχείου που αποστέλλεται, είναι απαραίτητο να συμβουλευτείτε έναν ειδικό για επικίνδυνα υλικά. Επίσης, τηρήστε τους πιθανούς, πιο αναλυτικούς εθνικούς κανονισμούς.
Καλύψτε με αυτοκόλλητη ταινία ή κρύψτε τις ανοικτές επαφές και συσκευάστε την μπαταρία με τρόπο που να μην μπορεί να μετακινείται μέσα στη συσκευασία.

ΦΥΛΑΞΤΕ ΤΙΣ ΟΔΗΓΙΕΣ ΑΥΤΕΣ.

⚠️ ΠΡΟΕΙΔΟΠΟΙΗΣΗ:

ΜΗΝ επιτρέψετε στην άνεση ή στην εξοικειώσή σας με το προϊόν (που αποκτήθηκε από επανειλημμένη χρήση) να αντικαταστήσει την αυστηρή τήρηση των κανόνων ασφαλείας του παρόντος εργαλείου. Η **ΛΑΝΘΑΣΜΕΝΗ ΧΡΗΣΗ** ή η αμέλεια να ακολουθήσετε τους κανόνες ασφαλείας που διατυπώνονται στο παρόν εγχειρίδιο οδηγούν μπορεί να προκαλέσει σοβαρό προσωπικό τραυματισμό.

ENC007-12

ΣΗΜΑΝΤΙΚΕΣ ΟΔΗΓΙΕΣ ΑΣΦΑΛΕΙΑΣ ΓΙΑ ΚΑΣΕΤΑ ΜΠΑΤΑΡΙΩΝ

1. Πριν χρησιμοποιήσετε την κασέτα μπαταριών, διαβάστε όλες τις οδηγίες και σημειώσεις προφύλαξης (1) στον φορτιστή μπαταριών, (2) στην μπαταρία και (3) στο προϊόν που χρησιμοποιείτε την μπαταρία.
2. Μην αποσυναρμολογήσετε την κασέτα μπαταριών.
3. Εάν ο χρόνος λειτουργίας έχει γίνει υπερβολικά βραχύς, σταματήστε τη λειτουργία αμέσως. Αλλιώς, μπορεί να έχει ως αποτέλεσμα κίνδυνο υπερθέρμανσης, πιθανά εγκαύματα ή ακόμη και έκρηξη.
4. Εάν ηλεκτρολύτης μπει στα μάτια σας, ξεπλύνετε τα με καθαρό νερό και ζητήστε ιατρική φροντίδα αμέσως. Αλλιώς, μπορεί να έχει ως αποτέλεσμα απώλεια της όρασης σας.
5. Μην βραχυκυκλώνετε την κασέτα μπαταριών:
(1) Μην αγγίζετε τους πόλους με οτιδήποτε αγώγιμο υλικό.
(2) Αποθηκεύετε να αποθηκεύετε την κασέτα μπαταριών μέσα σε ένα δοχείο μαζί με άλλα μεταλλικά αντικείμενα όπως καρφιά, νομίσματα, κλπ.
(3) Μην εκθέτετε την κασέτα μπαταριών στο νερό ή στη βροχή.

Ένα βραχυκύκλωμα μπαταρίας μπορεί να προκαλέσει μεγάλη ροή ρεύματος, υπερθέρμανση, πιθανά εγκαύματα ακόμη και σοβαρή βλάβη.

6. Μην αποθηκεύετε το εργαλείο και την κασέτα μπαταριών σε τοποθεσίες όπου η θερμοκρασία μπορεί να φτάσει ή να ξεπεράσει τους 50°C.
7. Μην καίτε την κασέτα μπαταριών ακόμη και εάν έχει σοβαρή ζημία ή είναι εντελώς φθαρμένη. Η κασέτα μπαταριών μπορεί να εκραγεί στη φωτιά.
8. Προσέχετε να μη ριζέτε κάτω ούτε να χτυπήσετε την μπαταρία.

11. Τηρήστε τους τοπικούς κανονισμούς που σχετίζονται με τη διάθεση της μπαταρίας.
12. Χρησιμοποιήστε τις μπαταρίες μόνο με τα προϊόντα που καθορίζει η Makita. Αν τοποθετήσετε τις μπαταρίες σε μη συμβατά προϊόντα μπορεί να έχει ως αποτέλεσμα πυρκαγιά, υπερβολική θερμότητα, έκρηξη ή διαρροή ηλεκτρολύτη.

ΦΥΛΑΞΤΕ ΤΙΣ ΟΔΗΓΙΕΣ ΑΥΤΕΣ.

⚠️ ΠΡΟΣΟΧΗ:

Να χρησιμοποιείτε μόνο γνήσιες μπαταρίες της Makita. Η χρήση μη γνήσιων μπαταριών Makita, ή μπαταριών που έχουν τροποποιηθεί, μπορεί να έχει ως αποτέλεσμα τη ρύξη της μπαταρίας, προκαλώντας πυρκαγιά, προσωπικό τραυματισμό και βλάβη. Επίσης, θα ακρωθεί η εγγύηση της Makita για το εργαλείο και φορτιστή Makita.

Συμβουλές για τη διατήρηση της μέγιστης ζωής μπαταρίας

1. Φορτίζετε την κασέτα μπαταριών πριν από την πλήρη αποφόρτισή της. Πάντοτε να σταματάτε τη λειτουργία του εργαλείου και να φορτίζετε την κασέτα μπαταριών όταν παρατηρήσετε μειωμένη ισχύ εργαλείου.
2. Ποτέ μην επαναφορτίζετε μια πλήρως φορτισμένη κασέτα μπαταριών. Η υπερφόρτιση μειώνει την ωφέλιμη ζωή της μπαταρίας.
3. Να φορτίζετε την κασέτα μπαταριών σε θερμοκρασία δωματίου, δηλαδή στους 10°C έως 40°C. Αφήστε μια θερμή κασέτα μπαταριών να κρυώσει πριν την φορτίσετε.
4. Να φορτίζετε την κασέτα μπαταριών εάν δεν τη χρησιμοποιείτε για μεγάλη χρονική περίοδο (περισσότερο από έξι μήνες).

ΠΕΡΙΓΡΑΦΗ ΛΕΙΤΟΥΡΓΙΑΣ

⚠️ ΠΡΟΣΟΧΗ:

- Πάντοτε βεβαιώνετε ότι το εργαλείο είναι σβηστό και η κασέτα μπαταρίας έχει αφαιρεθεί πριν ρυθμίσετε ή ελέγξετε κάποια λειτουργία στο εργαλείο.

Τοποθέτηση ή αφαίρεση της κασέτας μπαταρίας (Εικ. 1)

- Πάντοτε σβήνετε το εργαλείο πριν την τοποθέτηση ή αφαίρεση της μπαταρίας.
- Για να αφαιρέσετε την κασέτα μπαταρίας, τραβήχτε την από το εργαλείο ενώ σύρετε το κουμπί στο εμπρόσθιο μέρος της κασέτας.

- Για να τοποθετήσετε την κασέτα μπαταρίας, ευθυγραμμίστε την γλώσσα στην κασέτα μπαταρίας με την εγκοπή στο περίβλημα και σύρτε την στη θέση της. Πάντοτε εισάγετε την εντελώς μέσα μέχρι να κλειδώσει στη θέση της με ένα μικρό κλικ. Εάν το κόκκινο τμήμα στο επάνω μέρος του κουμπιού είναι ορατό δεν έχει κλειδώσει καλά. Εισάγετε την κασέτα εντελώς μέχρι το κόκκινο τμήμα να μην είναι ορατό. Αλλιώς, μπορεί τυχαίως να πέσει έξω από το εργαλείο και να προκαλέσει τραυματισμό σε σας ή σε κάποιον άλλον γύρω σας.
- Μη χρησιμοποιείτε δύναμη όταν τοποθετείτε την κασέτα μπαταρίας. Εάν η κασέτα δεν γλιστράει μέσα με ευκολία, δεν είναι τοποθετημένη σωστά.

Έλεγχος της υπόλοιπης χωρητικότητας μπαταρίας (BL1460A) (Εικ. 2)

ΠΑΡΑΤΗΡΗΣΗ:

- Ανάλογα με τις συνθήκες χρήσης και τη θερμοκρασία περιβάλλοντος, η ένδειξη μπορεί να διαφέρει λίγο από την πραγματική χωρητικότητα.

Κατά τη φόρτιση

Όταν αρχίζει η φόρτιση, αρχίζει να αναβοσβήνει η πρώτη (τέρμα αριστερά) ενδεικτική λυχνία. Κατόπιν, καθώς προχωράει η φόρτιση, ανάβουν οι άλλες λυχνίες, η μία μετά την άλλη, για να υποδείξουν τη χωρητικότητα της μπαταρίας.

ΠΑΡΑΤΗΡΗΣΗ:

- Αν η ενδεικτική λυχνία δεν ανάψει ή αναβοσβήνει κατά τη φόρτιση, η μπαταρία μπορεί να είναι ελαττωματική. Σε αυτή την περίπτωση, απευθυνθείτε στο τοπικό σας κέντρο εξυπηρέτησης.

Κατά τη χρήση

Όταν ανάψετε το εργαλείο, θα ανάβουν οι λυχνίες για να υποδείξουν την υπόλοιπη χωρητικότητα μπαταρίας. Όταν σβήσετε το εργαλείο, σβήνει το φως μετά από περίπου 5 δευτερόλεπτα.

Όταν πατάτε το κουμπί ελέγχου με το εργαλείο απενεργοποιημένο, οι ενδεικτικές λυχνίες ανάβουν για περίπου 5 δευτερόλεπτα για να εμφανίσουν τη χωρητικότητα της μπαταρίας.

Αν η πορτοκαλί λυχνία αναβοσβήνει, το εργαλείο σταματάει επειδή η υπόλοιπη χωρητικότητα μπαταρίας είναι χαμηλή (μηχανισμός αυτόματου σταματήματος).

Φορτίστε την κασέτα μπαταρίας ή χρησιμοποιήστε μια φορτισμένη κασέτα μπαταρίας τώρα.

Όταν το εργαλείο χρησιμοποιείται με μπαταρία που δεν έχει χρησιμοποιηθεί για πολύ καιρό και το ενεργοποιήσετε, μπορεί να μην ανάψει καθόλου καμία λυχνία. Το εργαλείο σταματάει επειδή, τη συγκεκριμένη στιγμή, η υπόλοιπη χωρητικότητα της μπαταρίας είναι χαμηλή. Φορτίστε την μπαταρία σωστά.

Λειτουργία διακόπτη (Εικ. 3)

⚠ ΠΡΟΣΟΧΗ:

- Πριν βάλετε την κασέτα μπαταρίας μέσα στο εργαλείο, πάντοτε ελέγχετε να δείτε ότι η σκανδάλη διακόπτης ενεργοποιείται κανονικά και επιστρέφει στη θέση "OFF" όταν ελευθερώνεται.

Για να ξεκινήσετε το εργαλείο, απλώς τραβήχτε την σκανδάλη διακόπτη. Ελευθερώστε την σκανδάλη διακόπτη για να σταματήσει.

Λειτουργία διακόπτη αντιστροφής (Εικ. 4)

⚠ ΠΡΟΣΟΧΗ:

- Πάντοτε ελέγχετε την διεύθυνση περιστροφής πριν την λειτουργία.
- Χρησιμοποιείτε τον διακόπτη αντιστροφής μόνο όταν το εργαλείο σταματά εντελώς. Αλλάζοντας την διεύθυνση περιστροφής πριν σταματήσει το εργαλείο θα προκαλέσετε ζημιά στο εργαλείο.
- Όταν δεν λειτουργείτε το εργαλείο, πάντοτε τοποθετείτε τον μοχλό του διακόπτη αντιστροφής στην ουδέτερη θέση.

Αυτό το εργαλείο έχει ένα διακόπτη αντιστροφής για να αλλάζει την φορά περιστροφής. Πατήστε το μοχλό του διακόπτη αντιστροφής από την πλευρά Α για δεξιόστροφη περιστροφή ή από την πλευρά Β για αριστερόστροφη περιστροφή.

Όταν ο μοχλός του διακόπτη αντιστροφής βρίσκεται στην ουδέτερη θέση, ο διακόπτης αντιστροφής δεν μπορεί να τραβηχθεί.

Ανάβοντας τα λαμπάκια (Εικ. 5)

⚠ ΠΡΟΣΟΧΗ:

- Μη κοπάζετε το φως ή την πηγή του φωτός απευθείας.

Τραβήχτε την σκανδάλη διακόπτη για να ανάψετε το λαμπάκι. Το λαμπάκι συνεχίζει να είναι αναμμένο ενώ η σκανδάλη είναι τραβηγμένη. Το λαμπάκι σβήνει αυτόματα σε 10 δευτερόλεπτα αφού η σκανδάλη διακόπτης έχει ελευθερωθεί.

ΣΗΜΕΙΩΣΗ:

- Χρησιμοποιείτε ένα ξηρό ύφασμα για να σκουπίσετε τους ρύπους από τους φασκούς στα λαμπάκια. Προσέχετε να μη γρατσουνίσετε τους φασκούς στα λαμπάκια διαφορετικά θα μειωθεί ο φωτισμός.

Ένδειξη LED / Βομβητής (Εικ. 6)

Ένδειξη LED / Ο βομβητής στο εργαλείο δείχνει τις ακόλουθες λειτουργίες.

Κατάσταση της ένδειξης LED / βομβητή		Λειτουργία	Κατάσταση	Απαιτούμενη ενέργεια
Ένδειξη LED	Βομβητής			
Ανάβει Πράσινο → Κόκκινο → Μπλε → Λευκό με αυτήν τη σειρά.	Μία σειρά από πολύ βραχεία μπιπ	Ελέγξε το LED, τη λυχνία φωτισμού και το βομβητή (όταν πιέσετε τη σκανδάλη διακοπής για πρώτη φορά, μετά από την τοποθέτηση μιας κασέτας μπαταρίας στο εργαλείο).	Βεβαιωθείτε ότι το LED ανάβει πράσινο, κόκκινο, μπλε, λευκό και ότι ο βομβητής ηχεί κανονικά.	—
Ανάβει πράσινο για περίπου ένα δευτερόλεπτο.	—	Στερέωση με αυτόματο σταμάτημα	Αυτή η λειτουργία ενεργοποιείται όταν το εργαλείο έχει φτάσει την προρυθμισμένη ροπή στερέωσης και η κανονική σύσφιξη έχει συμπληρωθεί. Αυτό βοηθάει στο να αποφεύγεται η υπερβολική σύσφιξη.	—
Αναβοσβήνει μωβ αργά.	Μία σειρά μακρών μπιπ	Προειδοποίηση για κατάσταση φόρτισης κασέτας	Αυτό υποδεικνύει τον κατάλληλο χρόνο να αντικαταστήσετε την κασέτα μπαταρίας όταν η ισχύς μπαταρίας έχει πέσει.	Αντικαταστήστε την μπαταρία με μία άλλη πλήρως φορτισμένη.
Ανάβει μωβ.	Ένα μακρύ μπιπ	Ένδειξη της κατάστασης φόρτισης της μπαταρίας, αυτόματο σταμάτημα	Αυτή η λειτουργία ενεργοποιείται όταν η ισχύς της μπαταρίας είναι σχεδόν εξαντλημένη. Σε αυτήν την περίπτωση, το εργαλείο σταματά αμέσως.	Αντικαταστήστε την μπαταρία με μία άλλη πλήρως φορτισμένη.
Ανάβει εναλλάξ σε πράσινο και κόκκινο.	Μία σειρά βραχέων μπιπ	Αντι- επαναρύθμιση του ελεγκτή	Αυτή η λειτουργία ενεργοποιείται όταν συμβεί μία απότομη πτώση της τάσης της μπαταρίας για κάποιο λόγο και το εργαλείο σταματά.	Αντικαταστήστε την μπαταρία με μία άλλη πλήρως φορτισμένη.
		Αστοχία ηλεκτροκινητήρα	Αυτή η λειτουργία ενεργοποιείται όταν παρουσιαστεί αστοχία του ηλεκτροκινητήρα.	Πηγαίνετε το σε ένα εξουσιοδοτημένο κέντρο εξυπηρέτησης της Makita.
Αναβοσβήνει γρήγορα σε κόκκινο.	Μία σειρά βραχέων μπιπ	Υπερθέρμανση	Αυτή η λειτουργία ενεργοποιείται εάν η θερμοκρασία του ελεγκτή ή του κινητήρα ανέβει σε υψηλό επίπεδο και το εργαλείο σταματάει.	Αφαιρέστε την κασέτα μπαταρίας αμέσως και ψύξτε το εργαλείο.
Αναβοσβήνει εναλλάξ σε κόκκινο και κίτρινο.	Ένα μακρύ μπιπ	Προειδοποίηση ανεπαρκούς σύσφιξης	Η σύσφιξη δεν είναι πλήρης όταν η σκανδάλη ενεργοποίησης ελευθερώνεται πριν από την ενεργοποίηση του συμπλέκτη.	—
		Ανίχνευση διπλού κτυπήματος	Αυτή η λειτουργία ενεργοποιείται όταν επιχειρείται εκ νέου σύσφιξη μιας βίδας που έχει ήδη σφιστεί.	—

011001

Ρύθμιση της ροπής στερέωσης

Όταν επιθυμείτε να βιδώσετε μηχανόβιδες, ξυλόβιδες, εξαγωνικά μπουλόνια, κλπ. με την προκαθορισμένη ροπή, ρυθμίστε την ροπή στερέωσης ως ακολούθως.

1. Πρώτα αφαιρέστε την κασέτα μπαταρίας από το εργαλείο.
2. Χαλαρώστε και αφαιρέστε την βίδα που ασφαλίζει τον δακτύλιο.
(Χαλαρώστε τις δύο βίδες που ασφαλίζουν τον δακτύλιο μόνο για DFL201F) **(Εικ. 7)**
3. Περιστρέψτε τον δακτύλιο στο εμπρόσθιο μέρος του εργαλείου με το χέρι ώστε να δείτε μία οπή κάτω από το δακτύλιο.
4. Τοποθετήστε την κασέτα μπαταρίας στη θέση της και τραβήχτε την σκανδάλη διακόπτη. Ελευθερώστε την ώστε ο δακτύλιος ρύθμισης να περιστραφεί και να εμφανιστεί η οπή, όπως υποδεικνύεται στην εικόνα **(Εικ. 8)**. Τότε αφαιρέστε την κασέτα μπαταρίας.
5. Χρησιμοποιείστε μία προαιρετική λαβή για να ρυθμίσετε τη ροπή στερέωσης. Βάλτε τον πείρο της ρυθμιστικής λαβής μέσα στην οπή στο εμπρόσθιο μέρος του εργαλείου. Και τότε γυρίστε την ρυθμιστική λαβή δεξιόστροφα για να ρυθμίσετε σε μικρότερη ροπή στερέωσης. **(Εικ. 9)**
6. Ευθυγραμμίστε την άκρη του δακτύλιου ρύθμισης με τον επιθυμητό σας αριθμό στην κλίμακα ροπής στερέωσης.
7. Βάλτε την κασέτα μπαταρίας και βεβαιωθείτε ότι μία ροπή στερέωσης έχει ρυθμιστεί χρησιμοποιώντας ένα μετρητή ροπής στερέωσης.
8. Περιστρέψτε το δακτύλιο ώστε η οπή για τη λαβή ρύθμισης να καλυφθεί, κρατήστε το δακτύλιο και στη συνέχεια ασφαλίστε τον με τη βίδα.

ΣΗΜΕΙΩΣΗ:

- Οι αριθμοί στην κλίμακα της ροπής στερέωσης είναι ένας οδηγός για να ρυθμίσετε την επιθυμητή σας ροπή στερέωσης.

ΣΥΝΑΡΜΟΛΟΓΗΣΗ

⚠ ΠΡΟΣΟΧΗ:

- Πάντοτε βεβαιώνετε ότι το εργαλείο είναι σβηστό και η κασέτα μπαταρίας έχει αφαιρεθεί πριν εκτελέσετε κάποια εργασία στο εργαλείο.

Επιλογή σωστής υποδοχής

Υπάρχουν διαφορετικοί τύποι υποδοχών για μερικά μοντέλα ανάλογα με τις εφαρμογές. Επιλέξτε και τοποθετήστε την σωστή υποδοχή για την εφαρμογή σας.

Τοποθέτηση ή αφαίρεση της υποδοχής (Εικ. 10)

Για να τοποθετήσετε την υποδοχή, πρώτρχτε την στον τετράγωνο οδηγό του εργαλείου με το ένα χέρι πιέζοντας τον πείρο στον τετράγωνο οδηγό με το άλλο χέρι μέχρι να κλειδωθεί στη θέση της. Για να αφαιρέσετε την υποδοχή, απλώς τραβήχτε την έξω πιέζοντας τον πείρο στον τετράγωνο οδηγό.

ΛΕΙΤΟΥΡΓΙΑ

Κρατάτε το εργαλείο σταθερά και τοποθετήστε την υποδοχή πάνω από το μπουλόνι ή το παξιμάδι. Μετά ανάψτε το εργαλείο. Όταν ο συμπλέκτης εμπλακεί, ο κινητήρας θα σταματήσει αυτόματα. Τότε ελευθερώστε την σκανδάλη διακόπτη. **(Εικ. 11)**

ΣΗΜΕΙΩΣΗ:

- Κρατάτε το εργαλείο με τον τετράγωνο οδηγό διευθυνόμενο ίσια προς το μπουλόνι ή παξιμάδι, αλλιώς το μπουλόνι ή το παξιμάδι θα πάθουν ζημιά.

Όρια ικανότητας στερέωσης

Χρησιμοποιήστε το εργαλείο εντός του εύρους της γωνίας περιστροφής έως 360°. Εάν χρησιμοποιήσετε το εργαλείο πέραν του άνω ορίου του συγκεκριμένου εύρους, ο συμπλέκτης δεν λειτουργεί. Επομένως το εργαλείο αδυνατεί να παρέχει επαρκή ροπή σύσφιξης (η ενδεικτική λυχνία LED αναβοσβήνει μωβ αργά ή ανάβει μωβ).

ΣΗΜΕΙΩΣΗ:

- Η γωνία περιστροφής είναι η γωνία την οποία μία βίδα/ μπουλόνι διαγράφει όταν το εργαλείο φθάνει στο 100% από το 50% της επιθυμητής ροπής.
- Η χρήση μίας κασέτας μπαταρίας ευρισκόμενης σε χαμηλή θερμοκρασία μπορεί κάποιες φορές να ενεργοποιήσει το λαμπάκι προειδοποίησης και τον βομβητή για ανεπάρκεια φόρτισης μπαταρίας που αναγκάζουν το εργαλείο να σταματήσει αμέσως. Σε αυτήν την περίπτωση, η ικανότητα σύσφιξης ενδέχεται να είναι κατώτερη των προδιαγραφών του παρόντος εγχειριδίου ακόμη και αν χρησιμοποιηθεί κασέτα φορτισμένης μπαταρίας.

ΣΥΝΤΗΡΗΣΗ

⚠ ΠΡΟΣΟΧΗ:

- Πριν την εκτέλεση εργασιών με τη συσκευή διαβεβαιώνετε πάντοτε, για το ότι η συσκευή σβήστηκε με απομακρυσμένο το συσσωρευτή.
- Μην χρησιμοποιείτε ποτέ βενζίνη, πετρελαϊκό αιθέρα, διαλυτικό, αλκοόλη ή παρόμοιες ουσίες. Ενδέχεται να προκληθεί αποχρωματισμός, παραμόρφωση ή ρωγμές.

Για την διατήρηση της ΑΣΦΑΛΕΙΑΣ και ΑΞΙΟΠΙΣΤΙΑΣ του προϊόντος, επισκευές, οποιαδήποτε άλλη συντήρηση ή ρύθμιση πρέπει να εκτελούνται από τα εξουσιοδοτημένα κέντρα εξυπηρέτησης της Makita, με χρήση πάντοτε ανταλλακτικών Makita.

ΠΡΟΑΙΡΕΤΙΚΑ ΕΞΑΡΤΗΜΑΤΑ

⚠ ΠΡΟΣΟΧΗ:

- Αυτά τα ανταλλακτικά ή προσαρτήματα συνιστώνται για χρήση με το εργαλείο σας της Makita που περιγράφεται στο εγχειρίδιο αυτό. Η χρήση οτιδήποτε άλλων ανταλλακτικών ή προσαρτημάτων μπορεί να παρουσιάσουν κίνδυνο τραυματισμού σε άτομα.

Εάν χρειάζεστε βοήθεια ή περισσότερες λεπτομέρειες σε σχέση με αυτά τα ανταλλακτικά, ρωτήστε το τοπικό σας κέντρο εξυπηρέτησης της Makita.

- Γνήσια μπαταρία και φορτιστής Makita
- Λαβή ρύθμισης
- Προστατευτικό
- Σύνολο γωνιακής κεφαλής (Μόνο για μοντέλο DFL201F)
- Διάταξη αποφυγής κλοστήματος

ΠΑΡΑΤΗΡΗΣΗ:

- Μερικά στοιχεία στη λίστα μπορεί να συμπεριλαμβάνονται στη συσκευασία εργαλείου ως στάνταρ εξαρτήματα. Μπορεί να διαφέρουν ανάλογα με τη χώρα.

Θορύβος

Το τυπικό Α επίπεδο μετρημένου θορύβου καθορίζεται σύμφωνα με το EN62841-2-2:

Μοντέλο DFL201F, DFL402F

Στάθμη πίεσης ήχου (L_{pA}): 72 dB (A)

Αβεβαιότητα (K): 3 dB (A)

Η ένταση ήχου υπο συνθήκες εργασίας μπορεί να υπερβεί τα 80 dB (A).

Μοντέλο DFL301F

Στάθμη πίεσης ήχου (L_{pA}): 74 dB (A)

Αβεβαιότητα (K): 3 dB (A)

Η ένταση ήχου υπο συνθήκες εργασίας μπορεί να υπερβεί τα 80 dB (A).

ENG907-1

ΠΑΡΑΤΗΡΗΣΗ:

- Η δηλωμένη τιμή(ές) εκπομπής θορύβου έχει μετρηθεί σύμφωνα με την πρότυπη μέθοδο δοκιμής και μπορεί να χρησιμοποιηθεί για τη σύγκριση ενός εργαλείου με κάποιο άλλο.
- Η δηλωμένη τιμή(ές) εκπομπής θορύβου μπορεί να χρησιμοποιηθεί και στην προκαταρκτική αξιολόγηση της έκθεσης.

⚠️ ΠΡΟΕΙΔΟΠΟΙΗΣΗ:

- Να φοράτε ωτοασπίδες.
- Η εκπομπή θορύβου κατά τη χρήση του ηλεκτρικού εργαλείου σε πραγματικές συνθήκες μπορεί να διαφέρει από τη δηλωμένη τιμή(ές) ανάλογα με τους τρόπους χρήσης του εργαλείου, ιδιαίτερα το είδος του τεμαχίου εργασίας που υπόκειται επεξεργασία.
- Φροντίστε να λάβετε τα κατάλληλα μέτρα προστασίας του χειριστή βάσει ενός υπολογισμού της έκθεσης σε πραγματικές συνθήκες χρήσης (λαμβάνοντας υπόψη όλες τις συνιστώσες του κύκλου λειτουργίας όπως τους χρόνους που το εργαλείο είναι εκτός λειτουργίας και όταν βρίσκεται σε αδρανή λειτουργία πέραν του χρόνου ενεργοποίησης).

ENG900-1

Κραδασμός

Η ολική τιμή δόνησης (άθροισμα τρι-αξονικού διανύσματος) καθορίζεται σύμφωνα με το EN62841-2-2:

Είδος εργασίας: βίδωμα χωρίς κρούση

Εκπομπή δόνησης (a_{h1}): 2,5 m/s² ή λιγότερο

Αβεβαιότητα (K): 1,5 m/s²

ΠΑΡΑΤΗΡΗΣΗ:

- Η δηλωμένη τιμή(ές) συνολικών κραδασμών έχει μετρηθεί σύμφωνα με την πρότυπη μέθοδο δοκιμής και μπορεί να χρησιμοποιηθεί για τη σύγκριση ενός εργαλείου με κάποιο άλλο.
- Η δηλωμένη τιμή(ές) συνολικών κραδασμών μπορεί να χρησιμοποιηθεί και στην προκαταρκτική αξιολόγηση της έκθεσης.

⚠️ ΠΡΟΕΙΔΟΠΟΙΗΣΗ:

- Η εκπομπή κραδασμών κατά τη χρήση του ηλεκτρικού εργαλείου σε πραγματικές συνθήκες μπορεί να διαφέρει από τη δηλωμένη τιμή(ές) εκπομπής ανάλογα με τους τρόπους χρήσης του εργαλείου, ιδιαίτερα το είδος του τεμαχίου εργασίας που υπόκειται επεξεργασία.
- Φροντίστε να λάβετε τα κατάλληλα μέτρα προστασίας του χειριστή βάσει ενός υπολογισμού της έκθεσης σε πραγματικές συνθήκες χρήσης (λαμβάνοντας υπόψη όλες τις συνιστώσες του κύκλου λειτουργίας όπως τους χρόνους που το εργαλείο είναι εκτός λειτουργίας και όταν βρίσκεται σε αδρανή λειτουργία πέραν του χρόνου ενεργοποίησης).

ΔΗΛΩΣΗ ΣΥΜΜΟΡΦΩΣΗΣ ΕΚ

Για τις ευρωπαϊκές χώρες μόνο

Η δήλωση συμμόρφωσης ΕΚ περιλαμβάνεται ως Παράρτημα Α σε αυτό το εγχειρίδιο οδηγιών.

Makita Europe N.V. Jan-Baptist Vinkstraat 2,
3070 Kortenberg, Belgium

Makita Corporation 3-11-8, Sumiyoshi-cho,
Anjo, Aichi 446-8502 Japan