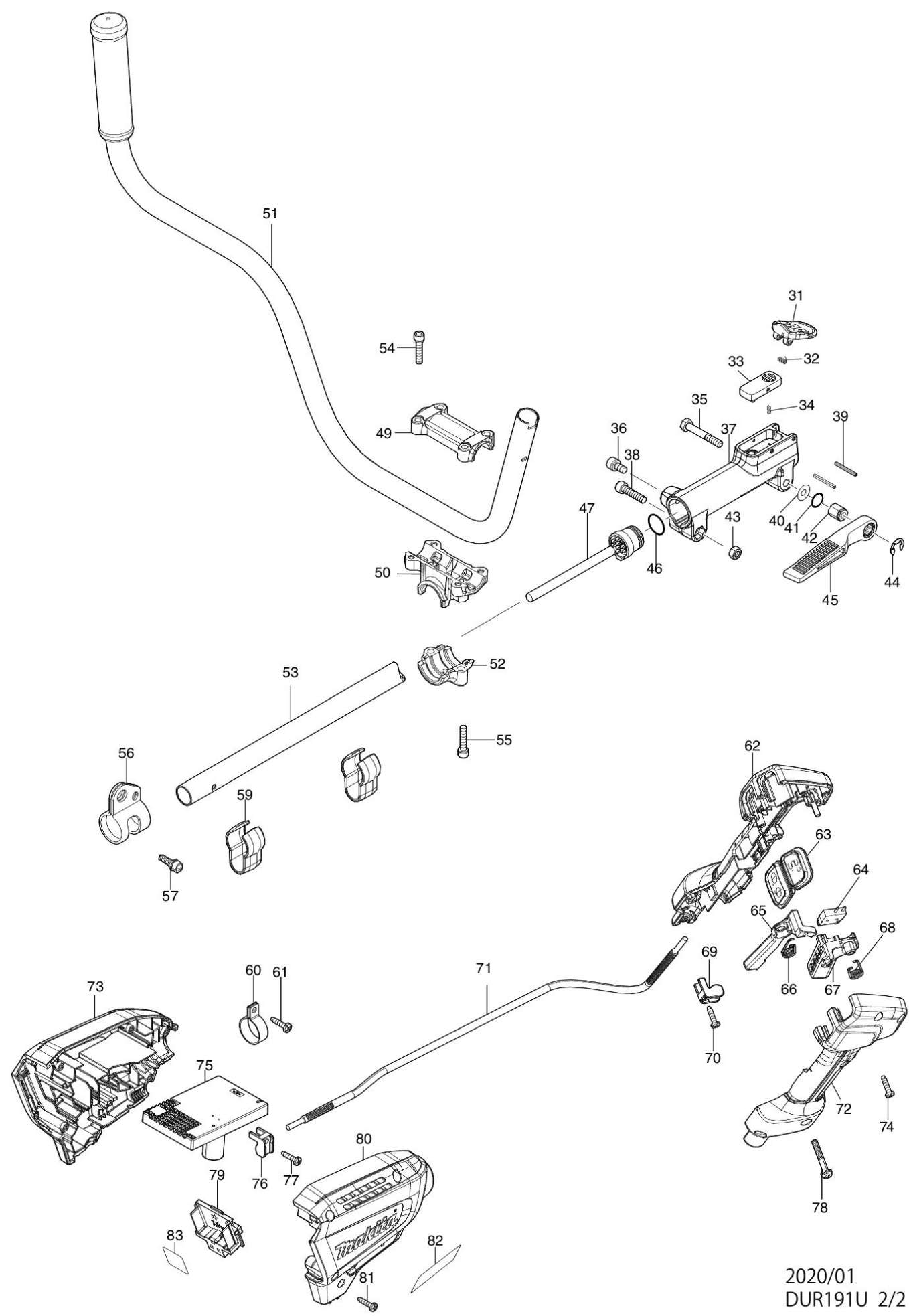
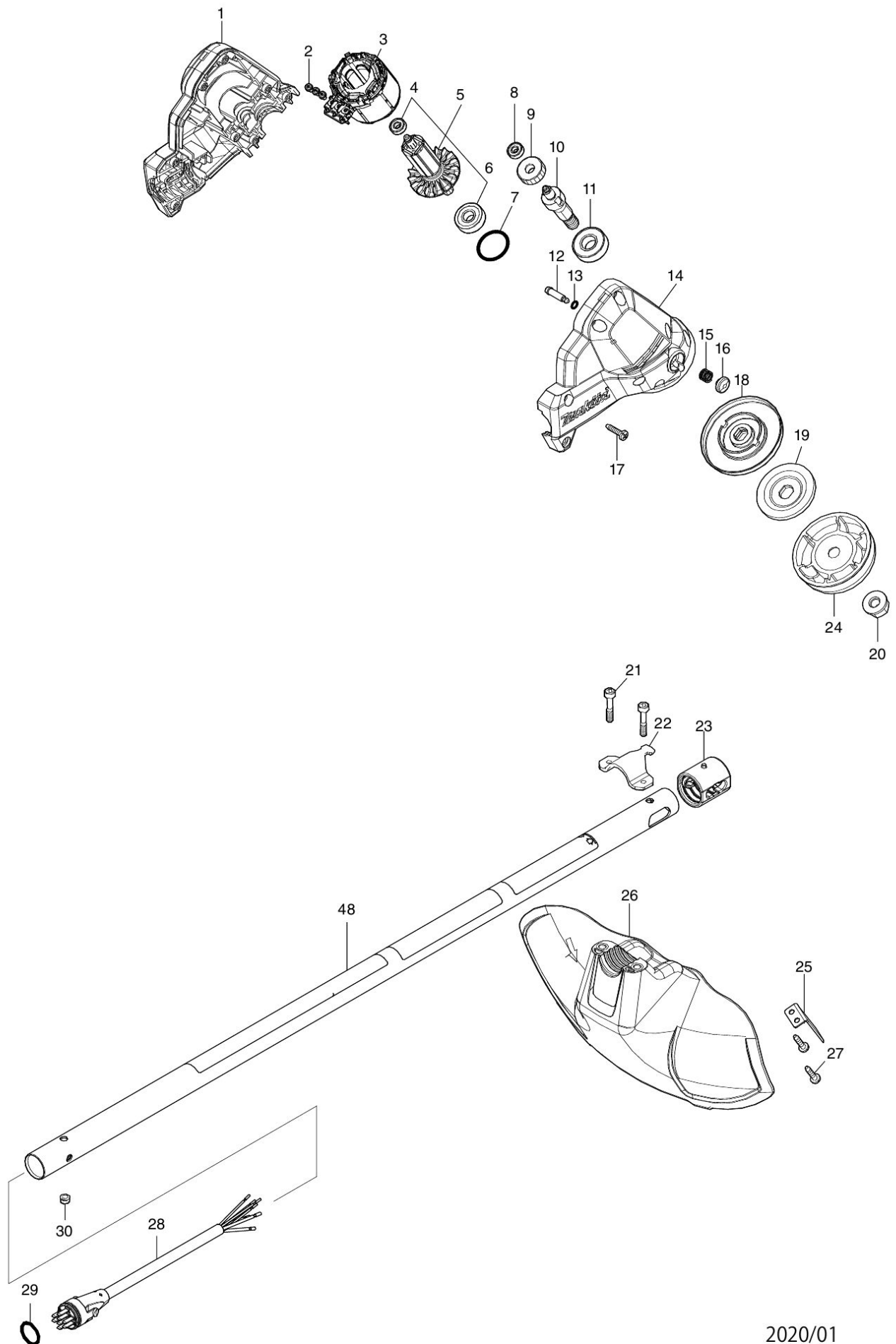


# Partdrawing for DUR191UZX9 - Controleunit



2020/01  
DUR191U 2/2



2020/01  
DUR191U 1/2