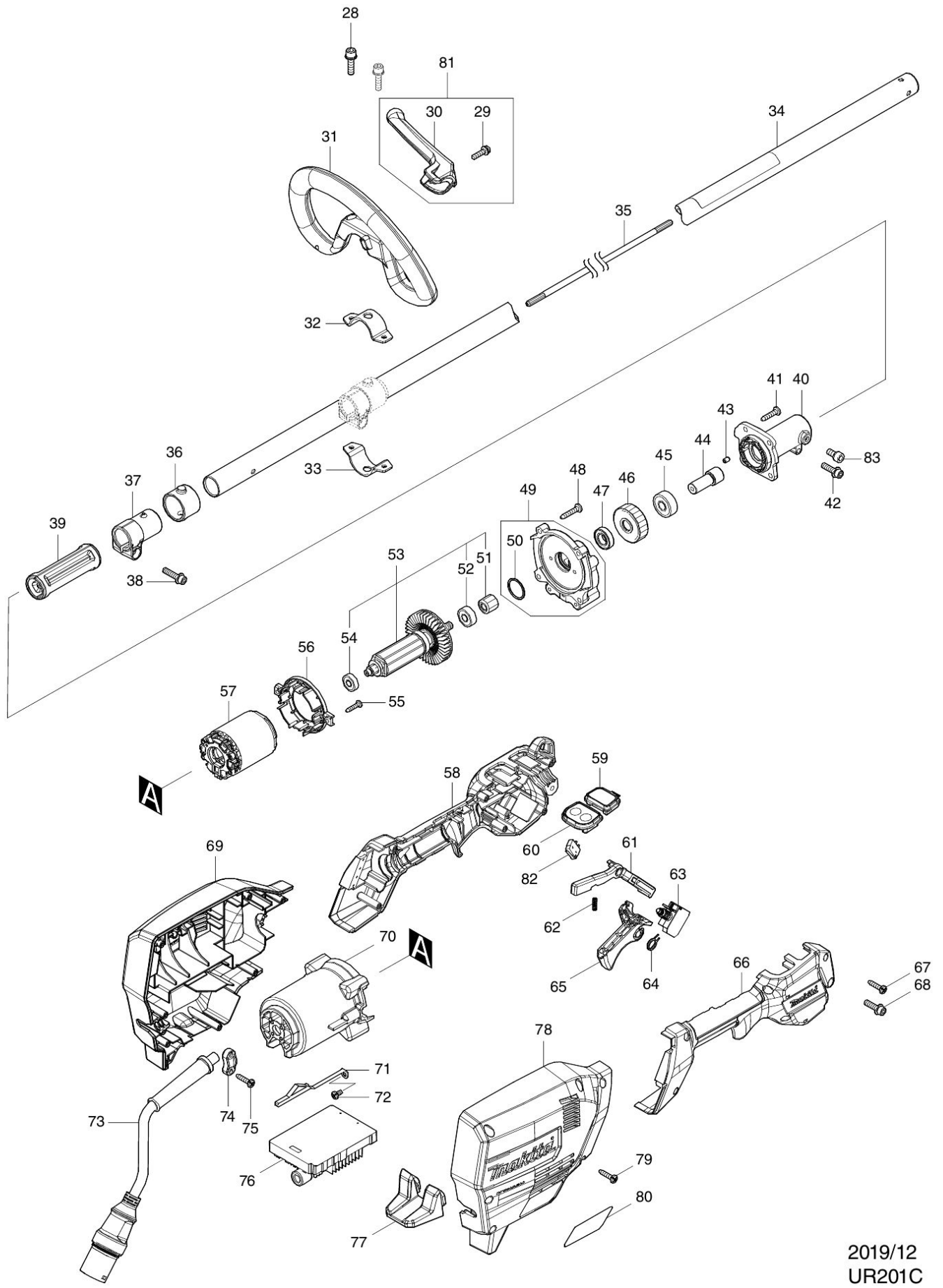
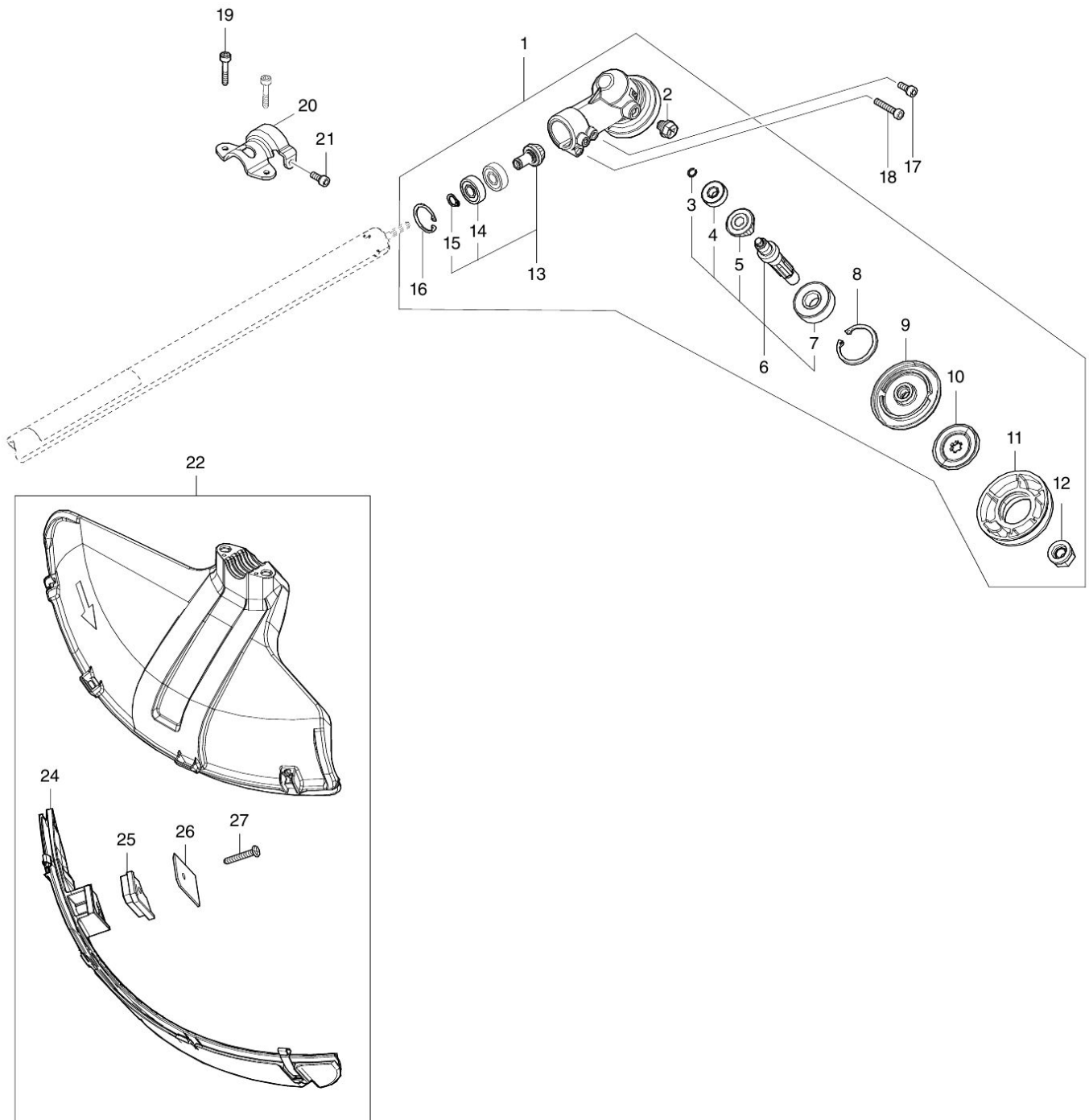


# Partdrawing for UR201CX1 - Machine



2019/12  
UR201C  
2/2



2019/12  
UR201C  
1/2