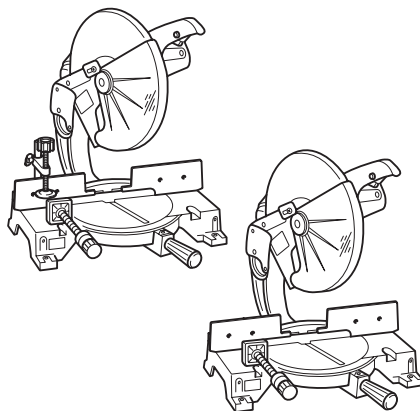




<b>EN</b>	Miter Saw	<b>INSTRUCTION MANUAL</b>	<b>7</b>
<b>FR</b>	Scie à Onglet	<b>MANUEL D'INSTRUCTIONS</b>	<b>15</b>
<b>DE</b>	Kapp- und Gehrungssäge	<b>BEDIENUNGSANLEITUNG</b>	<b>24</b>
<b>IT</b>	Troncatrice	<b>ISTRUZIONI PER L'USO</b>	<b>34</b>
<b>NL</b>	Verstekzaag	<b>GEBRUIKSAANWIJZING</b>	<b>43</b>
<b>ES</b>	Sierra de Inglete	<b>MANUAL DE INSTRUCCIONES</b>	<b>52</b>
<b>PT</b>	Serra de Esquadria	<b>MANUAL DE INSTRUÇÕES</b>	<b>61</b>
<b>DA</b>	Geringssav	<b>BRUGSANVISNING</b>	<b>70</b>
<b>EL</b>	Πριόνι λοξότμησης	<b>ΕΓΧΕΙΡΙΔΙΟ ΟΔΗΓΙΩΝ</b>	<b>78</b>
<b>TR</b>	Gönye Kesme Makinası	<b>KULLANMA KILAVUZU</b>	<b>88</b>

## LS1440



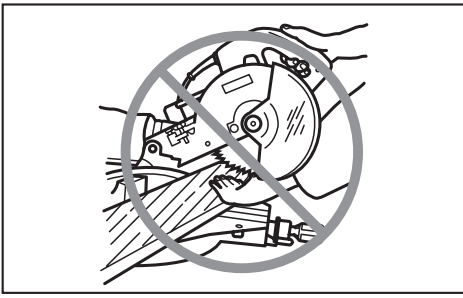


Fig.1

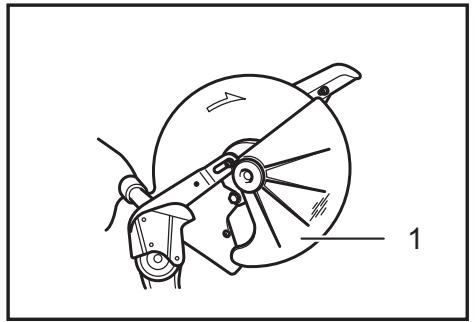


Fig.4

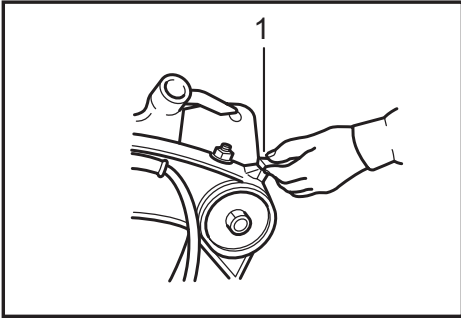


Fig.2

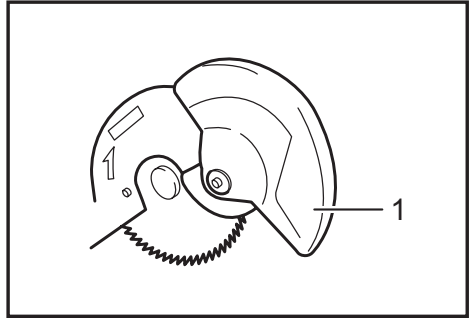


Fig.5

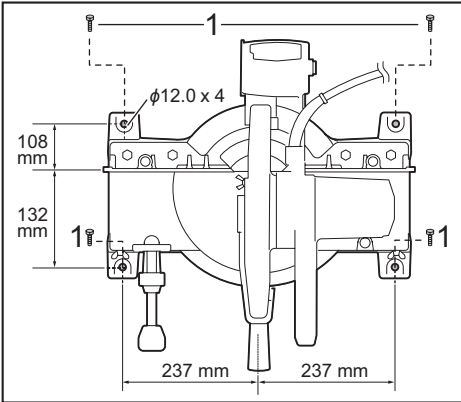


Fig.3

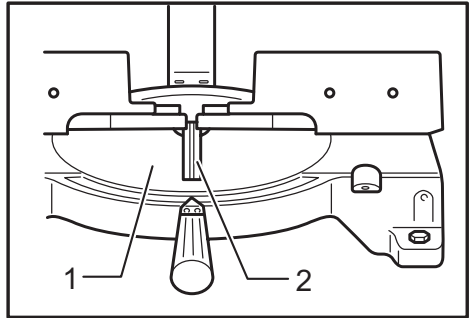


Fig.6

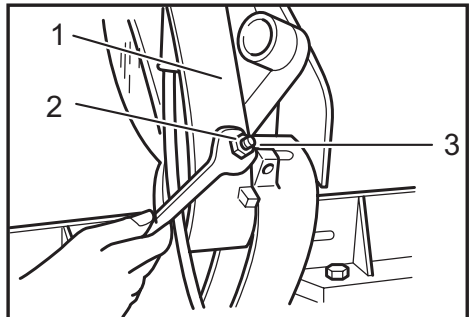


Fig.7

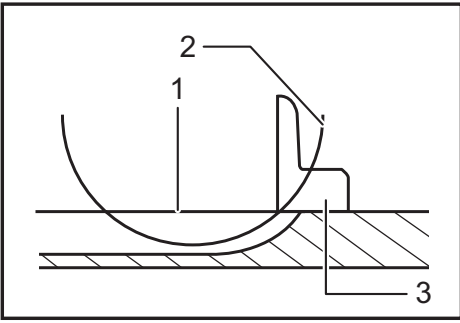


Fig.8

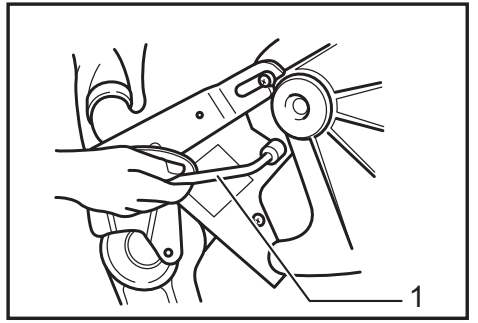


Fig.12

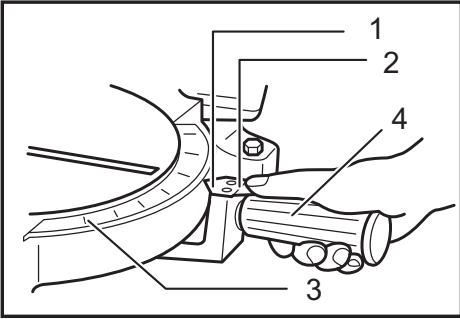


Fig.9

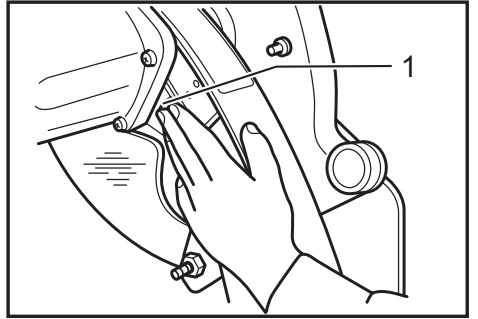


Fig.13

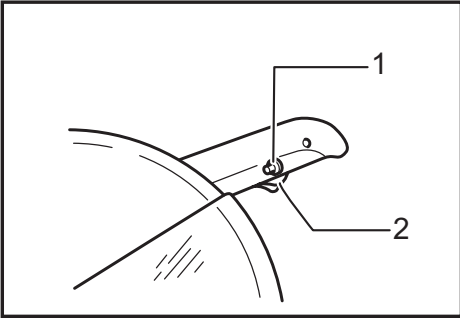


Fig.10

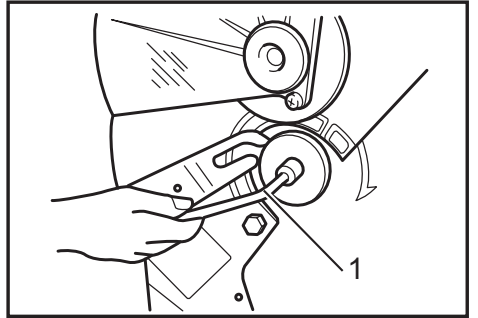


Fig.14

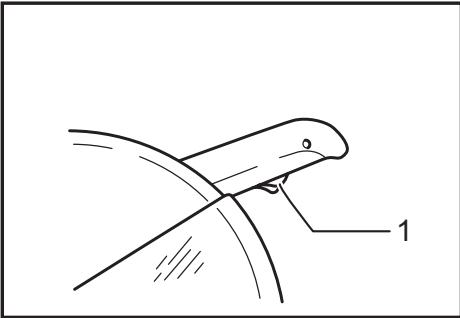


Fig.11

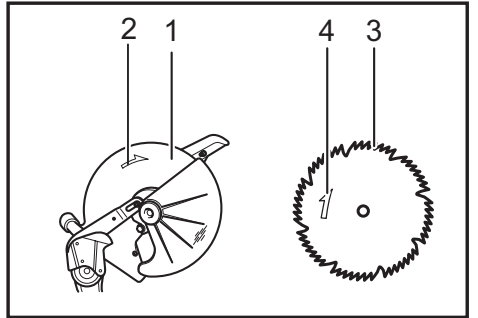


Fig.15

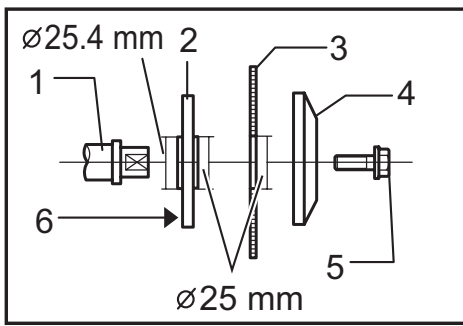


Fig.16

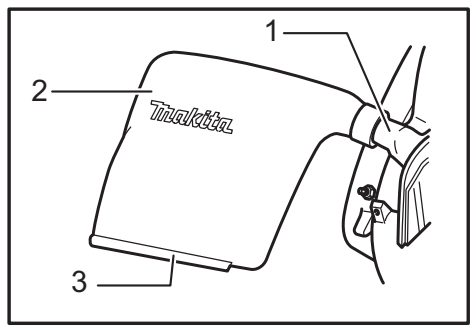


Fig.20

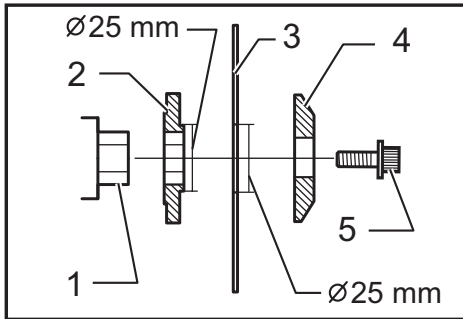


Fig.17

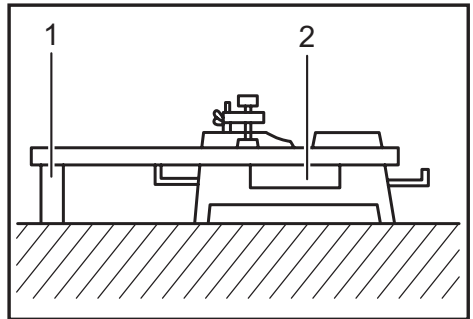


Fig.21

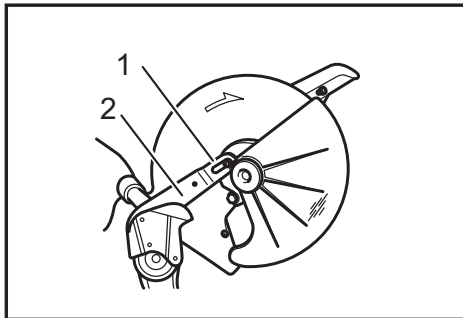


Fig.18

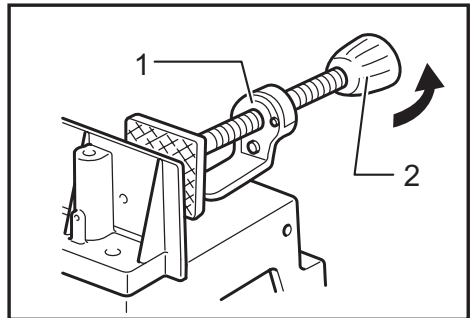


Fig.22

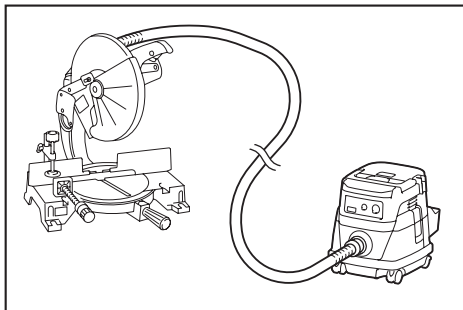


Fig.19

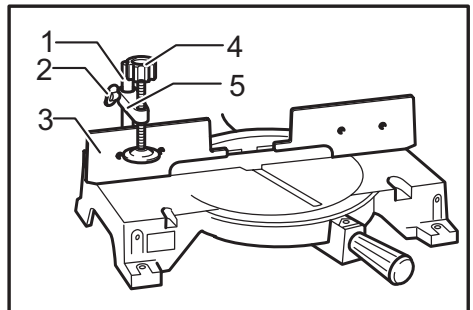


Fig.23



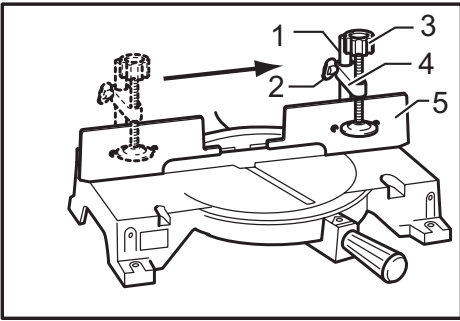


Fig.24

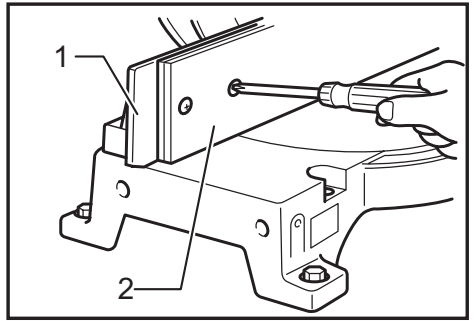


Fig.28

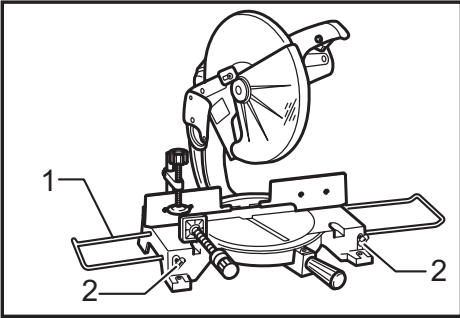


Fig.25

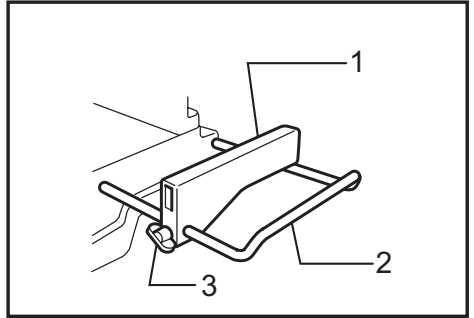


Fig.29

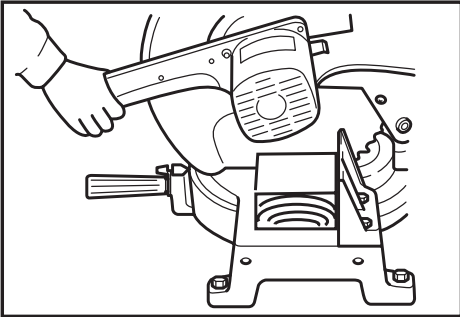


Fig.26

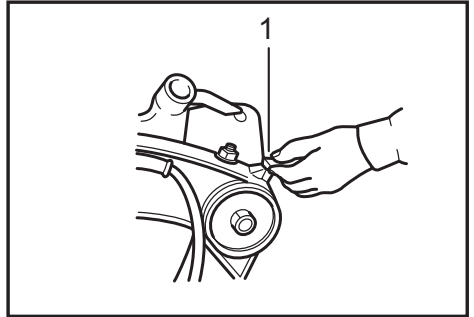


Fig.30

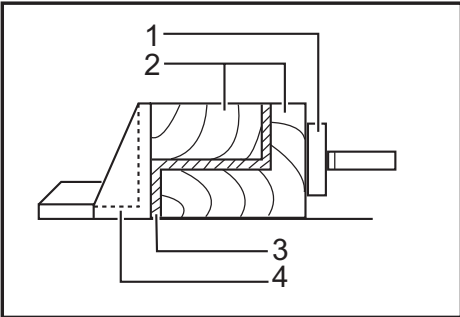


Fig.27

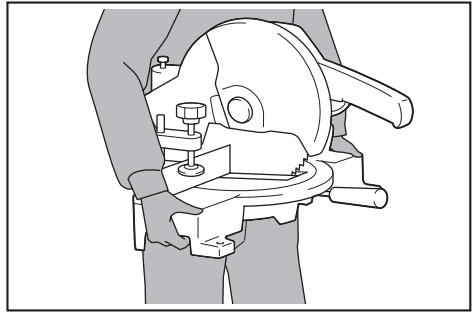


Fig.31

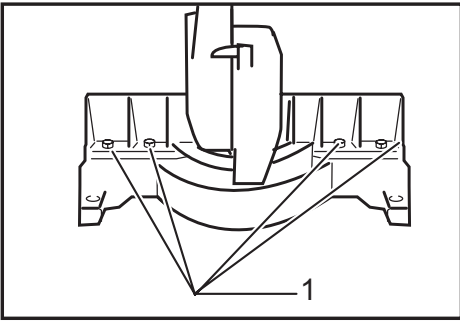


Fig.32

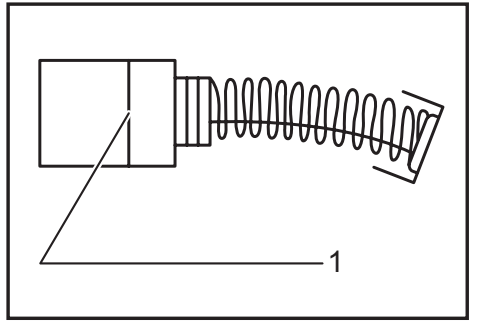


Fig.36

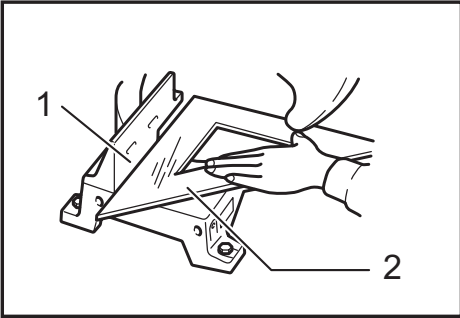


Fig.33

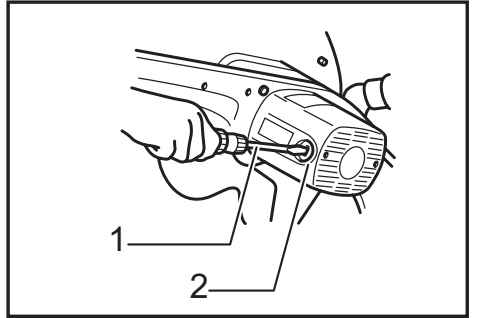


Fig.37

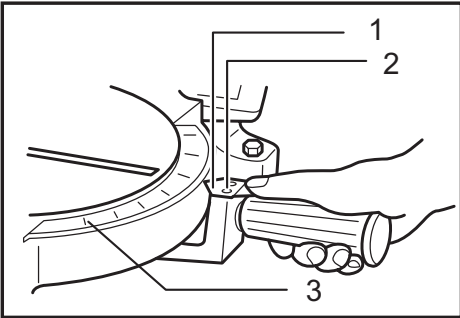


Fig.34

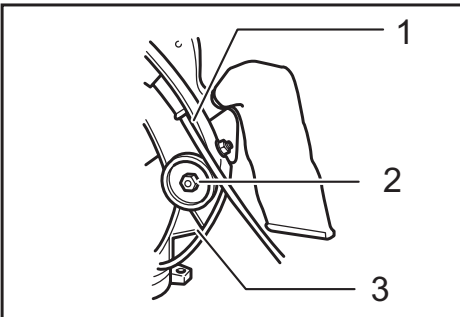


Fig.35

# SPECIFICATIONS

Model	LS1440	
Blade diameter	355 mm	
Hole diameter	For other than European countries	25 mm or 25.4 mm (Country specific)
	For European countries	25 mm
Max. kerf thickness of the saw blade	3.4 mm	
Max. Miter angle	Left 45°, Right 45°	
No load speed	3,900 min <sup>-1</sup>	
Dimensions (L x W x H)	596 mm x 550 mm x 630 mm	
Net weight	33.1 kg	
Safety class	□/II	







- Due to our continuing program of research and development, the specifications herein are subject to change without notice.
- Specifications may differ from country to country.
- Weight according to EPTA-Procedure 01/2014

## Max. Cutting capacities (H x W)

Miter angle	
0°	45° (left and right)
122 mm x 152 mm	122 mm x 115 mm

## Symbols

The followings show the symbols used for the equipment. Be sure that you understand their meaning before use.

	Read instruction manual.
	DOUBLE INSULATION
	To avoid injury from flying debris, keep holding the saw head down, after making cuts, until the blade has come to a complete stop.
	Do not place hand or fingers close to the blade.
	For your safety, remove the chips, small pieces, etc. from the table top before operation.
	Only for EU countries Do not dispose of electric equipment together with household waste material! In observance of the European Directive, on Waste Electric and Electronic Equipment and its implementation in accordance with national law, electric equipment that have reached the end of their life must be collected separately and returned to an environmentally compatible recycling facility.

## Intended use

The tool is intended for accurate straight and miter cutting in wood. With appropriate saw blades, aluminum can also be sawed.

## Power supply

The tool should be connected only to a power supply of the same voltage as indicated on the nameplate, and can only be operated on single-phase AC supply. They are double-insulated and can, therefore, also be used from sockets without earth wire.

## For public low-voltage distribution systems of between 220 V and 250 V

Switching operations of electric apparatus cause voltage fluctuations. The operation of this device under unfavorable mains conditions can have adverse effects to the operation of other equipment. With a mains impedance equal or less than 0.39 Ohms it can be presumed that there will be no negative effects. The mains socket used for this device must be protected with a fuse or protective circuit breaker having slow tripping characteristics.

## Noise

The typical A-weighted noise level determined according to EN62841-3-9:

Sound pressure level ( $L_{pA}$ ) : 94 dB(A)

Sound power level ( $L_{WA}$ ) : 105 dB (A)

Uncertainty (K) : 3 dB(A)

**NOTE:** The declared noise emission value(s) has been measured in accordance with a standard test method and may be used for comparing one tool with another.

**NOTE:** The declared noise emission value(s) may also be used in a preliminary assessment of exposure.

**⚠ WARNING:** Wear ear protection.

**⚠ WARNING:** The noise emission during actual use of the power tool can differ from the declared value(s) depending on the ways in which the tool is used especially what kind of workpiece is processed.

**⚠ WARNING:** Be sure to identify safety measures to protect the operator that are based on an estimation of exposure in the actual conditions of use (taking account of all parts of the operating cycle such as the times when the tool is switched off and when it is running idle in addition to the trigger time).

## Vibration

The vibration total value (tri-axial vector sum) determined according to EN62841-3-9:  
Vibration emission ( $a_{hv}$ ) : 2.5 m/s<sup>2</sup>  
Uncertainty (K) : 1.5 m/s<sup>2</sup>

**NOTE:** The declared vibration total value(s) has been measured in accordance with a standard test method and may be used for comparing one tool with another.

**NOTE:** The declared vibration total value(s) may also be used in a preliminary assessment of exposure.

**⚠ WARNING:** The vibration emission during actual use of the power tool can differ from the declared value(s) depending on the ways in which the tool is used especially what kind of workpiece is processed.

**⚠ WARNING:** Be sure to identify safety measures to protect the operator that are based on an estimation of exposure in the actual conditions of use (taking account of all parts of the operating cycle such as the times when the tool is switched off and when it is running idle in addition to the trigger time).

## EC Declaration of Conformity

### For European countries only

The EC declaration of conformity is included as Annex A to this instruction manual.

## General power tool safety warnings

**⚠ WARNING:** Read all safety warnings, instructions, illustrations and specifications provided with this power tool. Failure to follow all instructions listed below may result in electric shock, fire and/or serious injury.

## Save all warnings and instructions for future reference.

The term "power tool" in the warnings refers to your mains-operated (corded) power tool or battery-operated (cordless) power tool.

## Safety instructions for mitre saws

1. **Mitre saws are intended to cut wood or wood-like products, they cannot be used with abrasive cut-off wheels for cutting ferrous material such as bars, rods, studs, etc.** Abrasive dust causes moving parts such as the lower guard to jam. Sparks from abrasive cutting will burn the lower guard, the kerf insert and other plastic parts.
2. **Use clamps to support the workpiece whenever possible. If supporting the workpiece by hand, you must always keep your hand at least 100 mm from either side of the saw blade. Do not use this saw to cut pieces that are too small to be securely clamped or held by hand.** If your hand is placed too close to the saw blade, there is an increased risk of injury from blade contact.
3. **The workpiece must be stationary and clamped or held against both the fence and the table. Do not feed the workpiece into the blade or cut "freehand" in any way.** Unrestrained or moving workpieces could be thrown at high speeds, causing injury.
4. **Never cross your hand over the intended line of cutting either in front or behind the saw blade.** Supporting the workpiece "cross handed" i.e. holding the workpiece to the right of the saw blade with your left hand or vice versa is very dangerous.  
► Fig.1
5. **Do not reach behind the fence with either hand closer than 100 mm from either side of the saw blade, to remove wood scraps, or for any other reason while the blade is spinning.** The proximity of the spinning saw blade to your hand may not be obvious and you may be seriously injured.
6. **Inspect your workpiece before cutting. If the workpiece is bowed or warped, clamp it with the outside bowed face toward the fence. Always make certain that there is no gap between the workpiece, fence and table along the line of the cut.** Bent or warped workpieces can twist or shift and may cause binding on the spinning saw blade while cutting. There should be no nails or foreign objects in the workpiece.
7. **Do not use the saw until the table is clear of all tools, wood scraps, etc., except for the workpiece.** Small debris or loose pieces of wood or other objects that contact the revolving blade can be thrown with high speed.
8. **Cut only one workpiece at a time.** Stacked multiple workpieces cannot be adequately clamped or braced and may bind on the blade or shift during cutting.
9. **Ensure the mitre saw is mounted or placed on a level, firm work surface before use.** A level and firm work surface reduces the risk of the mitre saw becoming unstable.
10. **Plan your work. Every time you change the bevel or mitre angle setting, make sure the adjustable fence is set correctly to support the workpiece and will not interfere with the blade or the guarding system.** Without turning the tool "ON" and with no workpiece on the table, move the saw blade through a complete simulated cut to assure there will be no interference or danger of cutting the fence.

11. **Provide adequate support such as table extensions, saw horses, etc. for a workpiece that is wider or longer than the table top.** Workpieces longer or wider than the mitre saw table can tip if not securely supported. If the cut-off piece or workpiece tips, it can lift the lower guard or be thrown by the spinning blade.
12. **Do not use another person as a substitute for a table extension or as additional support.** Unstable support for the workpiece can cause the blade to bind or the workpiece to shift during the cutting operation pulling you and the helper into the spinning blade.
13. **The cut-off piece must not be jammed or pressed by any means against the spinning saw blade.** If confined, i.e. using length stops, the cut-off piece could get wedged against the blade and thrown violently.
14. **Always use a clamp or a fixture designed to properly support round material such as rods or tubing.** Rods have a tendency to roll while being cut, causing the blade to "bite" and pull the work with your hand into the blade.
15. **Let the blade reach full speed before contacting the workpiece.** This will reduce the risk of the workpiece being thrown.
16. **If the workpiece or blade becomes jammed, turn the mitre saw off. Wait for all moving parts to stop and disconnect the plug from the power source and/or remove the battery pack. Then work to free the jammed material.** Continued sawing with a jammed workpiece could cause loss of control or damage to the mitre saw.
17. **After finishing the cut, release the switch, hold the saw head down and wait for the blade to stop before removing the cut-off piece.** Reaching with your hand near the coasting blade is dangerous.
18. **Hold the handle firmly when making an incomplete cut or when releasing the switch before the saw head is completely in the down position.** The braking action of the saw may cause the saw head to be suddenly pulled downward, causing a risk of injury.
19. **Only use the saw blade with the diameter that is marked on the tool or specified in the manual.** Use of an incorrectly sized blade may affect the proper guarding of the blade or guard operation which could result in serious personal injury.
20. **Only use the saw blades that are marked with a speed equal or higher than the speed marked on the tool.**
21. **Do not use the saw to cut other than wood, aluminum or similar materials.**
22. **(For European countries only)**  
Always use the blade which conforms to EN847-1.
5. **Keep hands out of path of saw blade. Avoid contact with any coasting blade. It can still cause severe injury.**
6. **Always secure all moving portions before carrying the tool.**
7. **Stopper pin which locks the cutter head down is for carrying and storage purposes only and not for any cutting operations.**
8. **Check the blade carefully for cracks or damage before operation. Replace cracked or damaged blade immediately. Gum and wood pitch hardened on blades slows saw and increases potential for kickback. Keep blade clean by first removing it from tool, then cleaning it with gum and pitch remover, hot water or kerosene. Never use gasoline to clean blade.**
9. **Use only flanges specified for this tool.**
10. **Be careful not to damage the arbor, flanges (especially the installing surface) or bolt. Damage to these parts could result in blade breakage.**
11. **Make sure that the turn base is properly secured so it will not move during operation. Use the holes in the base to fasten the saw to a stable work platform or bench. NEVER use tool where operator positioning would be awkward.**
12. **Make sure the shaft lock is released before the switch is turned on.**
13. **Be sure that the blade does not contact the turn base in the lowest position.**
14. **Hold the handle firmly. Be aware that the saw moves up or down slightly during start-up and stopping.**
15. **Make sure the blade is not contacting the workpiece before the switch is turned on.**
16. **Before using the tool on an actual workpiece, let it run for a while. Watch for vibration or wobbling that could indicate poor installation or a poorly balanced blade.**
17. **Stop operation immediately if you notice anything abnormal.**
18. **Do not attempt to lock the trigger in the "ON" position.**
19. **Always use accessories recommended in this manual. Use of improper accessories such as abrasive wheels may cause an injury.**
20. **Some material contains chemicals which may be toxic. Take caution to prevent dust inhalation and skin contact. Follow material supplier safety data.**

#### Additional instructions

1. **Make workshop kid proof with padlocks.**
2. **Never stand on the tool.** Serious injury could occur if the tool is tipped or if the cutting tool is unintentionally contacted.
3. **Never leave the tool running unattended. Turn the power off. Do not leave tool until it comes to a complete stop.**
4. **Do not operate saw without guards in place. Check blade guard for proper closing before each use. Do not operate saw if blade guard does not move freely and close instantly. Never clamp or tie the blade guard into the open position.**

#### Additional safety rules for the laser

1. **LASER RADIATION, DO NOT STARE INTO THE BEAM OR VIEW DIRECTLY WITH OPTICAL INSTRUMENTS, CLASS 2M LASER PRODUCT.**

## SAVE THESE INSTRUCTIONS.

**⚠ WARNING:** DO NOT let comfort or familiarity with product (gained from repeated use) replace strict adherence to safety rules for the subject product. MISUSE or failure to follow the safety rules stated in this instruction manual may cause serious personal injury.

# INSTALLATION

## Bench mounting

When the tool is shipped, the handle is locked in the lowered position by the handle latch. Release the handle latch by lowering the handle slightly and turn the handle latch to the released position.

► **Fig.2:** 1. Handle latch

This tool should be bolted with four bolts to a level and stable surface using the bolt holes provided in the tool's base. This will help prevent tipping and possible injury.

► **Fig.3:** 1. Bolt

# FUNCTIONAL DESCRIPTION

## ⚠ CAUTION:

- Always be sure that the tool is switched off and unplugged before adjusting or checking function on the tool.

## Blade guard

► **Fig.4:** 1. Blade guard

When lowering the handle, the blade guard rises automatically. The guard is spring loaded so it returns to its original position when the cut is completed and the handle is raised. NEVER DEFEAT OR REMOVE THE BLADE GUARD OR THE SPRING WHICH ATTACHES TO THE GUARD.

In the interest of your personal safety, always maintain the blade guard in good condition. Any irregular operation of the blade guard should be corrected immediately. Check to assure spring loaded return action of guard. NEVER USE THE TOOL IF THE BLADE GUARD OR SPRING ARE DAMAGED, FAULTY OR REMOVED. DOING SO IS HIGHLY DANGEROUS AND CAN CAUSE SERIOUS PERSONAL INJURY.

If the see-through blade guard becomes dirty, or sawdust adheres to it in such a way that the blade is no longer easily visible, unplug the saw and clean the guard carefully with a damp cloth. Do not use solvents or any petroleum-based cleaners on the plastic guard.

If the blade guard is especially dirty and vision through the guard is impaired, use the supplied socket wrench to loosen the hex bolt holding the center cover. Loosen the hex bolt by turning it counterclockwise and raise the blade guard and center cover. With the blade guard so positioned, cleaning can be more completely and efficiently accomplished. When cleaning is complete, reverse procedure above and secure bolt. Do not remove spring holding blade guard. If guard becomes discolored through age or UV light exposure, contact a Makita service center for a new guard. DO NOT DEFEAT OR REMOVE GUARD.

► **Fig.5:** 1. Blade guard

## Kerf board

► **Fig.6:** 1. Turn base 2. Kerf board

This tool is provided with the kerf board in the turn base to minimize tearing on the exit side of a cut. If the kerf groove has not yet been cut in the kerf board by the factory, you should cut the groove before actually using the tool to cut a workpiece. Switch on the tool and lower the blade gently to cut a groove in the kerf board.

## Maintaining maximum cutting capacity

► **Fig.7:** 1. Gear housing 2. Hex nut 3. Adjusting bolt

► **Fig.8:** 1. Top surface of turn base 2. Periphery of blade 3. Guide fence

This tool is factory adjusted to provide the maximum cutting capacity for a 355 mm saw blade.

When installing a new blade, always check the lower limit position of the blade and if necessary, adjust it as follows:

First, unplug the tool. Lower the handle completely. Loosen the hex nut at the rear of the gear housing. Use a screwdriver to turn the adjusting bolt until the periphery of the blade extends slightly below the top surface of the turn base at the point where the front face of the guide fence meets the top surface of the turn base.

With the tool unplugged, rotate the blade by hand while holding the handle all the way down to be sure that the blade does not contact any part of the lower base. Re-adjust slightly, if necessary.

After adjusting, tighten the hex nut with the wrench while carefully holding the adjusting bolt in position with the screwdriver.

At this time, make sure that the handle can be locked in the lowered position by turning the handle latch. If the handle cannot be locked so, turn the adjusting bolt so that the handle can be locked in the lowered position.

## ⚠ CAUTION:

- After installing a new blade, always be sure that the blade does not contact any part of the lower base when the handle is lowered completely. Always do this with the tool unplugged.

## Adjusting the miter angle

► **Fig.9:** 1. Pointer 2. Lock lever 3. Miter scale 4. Grip

Loosen the grip by turning counterclockwise. Turn the turn base while pressing down the lock lever. When you have moved the grip to the position where the pointer points to the desired angle on the miter scale, securely tighten the grip clockwise.

## ⚠ CAUTION:

- When turning the turn base, be sure to raise the handle fully.
- After changing the miter angle, always secure the turn base by tightening the grip firmly.

## Fence plate

The fence plate is designed to prevent smaller cutting scraps from jamming inside the blade case. The fence plate moves right or left automatically as the turn base is rotated.

## Switch action

### ⚠ CAUTION:

- Before plugging in the tool, always check to see that the switch trigger actuates properly and returns to the "OFF" position when released.

### ⚠ WARNING:

- NEVER use tool without a fully operative switch trigger. Any tool with an inoperative switch is **HIGHLY DANGEROUS** and must be repaired before further usage.

## For tool with lock-off button

► Fig.10: 1. Lock-off button 2. Switch trigger

### ⚠ CAUTION:

- When not using the tool, remove the lock-off button and store it in a secure place. This prevents unauthorized operation.
- Do not pull the switch trigger hard without pressing in the lock-off button. This can cause switch breakage.

To prevent the switch trigger from being accidentally pulled, a lock-off button is provided. To start the tool, press in the lock-off button and pull the switch trigger. Release the switch trigger to stop.

### ⚠ WARNING:

- For your safety, this tool is equipped with a lock-off button which prevents the tool from unintended starting. NEVER use the tool if it runs when you simply pull the switch trigger without pressing the lock-off button. Return tool to a Makita service center for proper repairs BEFORE further usage.
- NEVER tape down or defeat purpose and function of lock-off button.

## For tool without lock-off button

► Fig.11: 1. Switch trigger

Switch on the tool and wait until the blade attains full speed. Then lower the blade gently into the cut.

To start the tool, simply pull the switch trigger. Release the switch trigger to stop.

## ASSEMBLY

### ⚠ CAUTION:

- Always be sure that the tool is switched off and unplugged before carrying out any work on the tool.

## Installing or removing saw blade

### ⚠ CAUTION:

- Always be sure that the tool is switched off and unplugged before installing or removing the blade.
- Use only the Makita socket wrench provided to install or remove the blade. Failure to do so may result in overtightening or insufficient tightening of the hex bolt. This could cause an injury.

## Removing the blade

To remove the blade, use the socket wrench to loosen the hex bolt holding the center cover by turning it counterclockwise. Raise the blade guard and center cover.

► Fig.12: 1. Socket wrench

Press the shaft lock to lock the spindle and use the socket wrench to loosen the hex bolt counterclockwise. Then remove the hex bolt, outer flange and blade.

► Fig.13: 1. Shaft lock

► Fig.14: 1. Socket wrench

## Installing the blade

To install the blade, mount it carefully onto the spindle, making sure that the direction of the arrow on the surface of the blade matches the direction of the arrow on the blade case. Install the outer flange and hex bolt, and then use the socket wrench to tighten the hex bolt securely clockwise while pressing the shaft lock.

► Fig.15: 1. Blade case 2. Arrow 3. Saw blade 4. Arrow

### For other than European type

► Fig.16: 1. Spindle 2. Inner flange 3. Blade 4. Outer flange 5. Hex bolt 6. 25.4 mm marking

### ⚠ CAUTION:

- The inner flange has a 25 mm diameter on one side and a 25.4 mm diameter on the other. The side with 25.4 mm diameter is marked by "25.4". Use the correct side for the hole diameter of the blade you intend to use. Mounting the blade on the wrong side can result in dangerous vibration.

### For European type

► Fig.17: 1. Spindle 2. Inner flange 3. Blade 4. Outer flange 5. Hex bolt

### ⚠ CAUTION:

- Make sure that the protrusion 25 mm on the inner flange that is positioned outside fits into the saw blade hole 25 mm perfectly. Mounting the blade on the wrong side can result in the dangerous vibration.



## Returning the blade guard

Slip the pin on the blade guard into the slot in the guide arm while returning the blade guard to its original fully closed position. Then tighten the hex bolt clockwise to secure the center cover. Lower the handle to make sure that the blade guard moves properly. Make sure shaft lock has released spindle before making cut.

► **Fig.18:** 1. Pin 2. Guide arm

## Connecting a vacuum cleaner

When you wish to perform clean cutting operation, connect a Makita vacuum cleaner.

► **Fig.19**

## Dust bag

► **Fig.20:** 1. Dust nozzle 2. Dust bag 3. Fastener

The use of the dust bag makes cutting operations clean and dust collection easy. To attach the dust bag, fit it onto the dust nozzle.

When the dust bag is about half full, remove the dust bag from the tool and pull the fastener out. Empty the dust bag of its contents, tapping it lightly so as to remove particles adhering to the insides which might hamper further collection.

## Securing workpiece

### ⚠ WARNING:

- It is extremely important to always secure the workpiece properly and tightly with the vise. Failure to do so can cause the tool to be damaged and/or the workpiece to be destroyed. PERSONAL INJURY MAY ALSO RESULT. Also, after a cutting operation, DO NOT raise the blade until the blade has come to a complete stop.

### ⚠ CAUTION:

- When cutting long workpieces, use supports that are as high as the top surface level of the turn base. Do not rely solely on the vertical vise and/or horizontal vise to secure the workpiece. Thin material tends to sag. Support workpiece over its entire length to avoid blade pinch and possible KICKBACK.

► **Fig.21:** 1. Support 2. Turn base

## Horizontal vise (optional accessory)

► **Fig.22:** 1. Projection 2. Vise knob

The horizontal vise can be installed on either the left or right side of the base. When performing 15° or greater miter cuts, install the horizontal vise on the side opposite the direction in which the turn base is to be turned. By turning the vise knob counterclockwise, the screw is released and the vise shaft can be moved rapidly in and out. By turning the vise knob clockwise, the screw remains secured. To grip the workpiece, turn the vise knob gently clockwise until the projection reaches its topmost position, then fasten securely. If the vise knob is forced in or pulled out while being turned clockwise, the projection may stop at an angle. In this case, turn the vise knob back counterclockwise until the screw is released, before turning again gently clockwise.

### ⚠ CAUTION:

- Grip the workpiece only when the projection is at the topmost position. Failure to do so may result in insufficient securing of the workpiece. This could cause the workpiece to be thrown, cause damage to the blade or cause the loss of control, which can result in PERSONAL INJURY.

## Vertical vise (optional accessory)

► **Fig.23:** 1. Vise rod 2. Screw 3. Guide fence 4. Vise knob 5. Vise arm

► **Fig.24:** 1. Vise rod 2. Screw 3. Vise knob 4. Vise arm 5. Guide fence

The vertical vise can be installed in the position on either the left or right side of the guide fence. Insert the vise rod into the hole in the guide fence and tighten the screw to secure the vise rod.

Position the vise arm according to the thickness and shape of the workpiece and secure the vise arm by tightening the screw. If the screw to secure the vise arm contacts the guide fence, install the screw on the opposite side of vise arm. Make sure that no part of the tool contacts the vise when lowering the handle all the way. If some part contacts the vise, re-position the vise.

Press the workpiece flat against the guide fence and the turn base. Position the workpiece at the desired cutting position and secure it firmly by tightening the vise knob.

### ⚠ CAUTION:

- The workpiece must be secured firmly against the turn base and guide fence with the vise during all operations.

## Installing the holders (optional accessories)

► **Fig.25:** 1. Holder 2. Screw

Install the holders on both sides of the base and secure them with screws.

## OPERATION

### ⚠ CAUTION:

- Before use, be sure to release the handle from the lowered position by turning the handle latch to the released position.
- Make sure the blade is not contacting the workpiece, etc. before the switch is turned on.
- Do not apply excessive pressure on the handle when cutting. Too much force may result in overload of the motor and/or decreased cutting efficiency. Push down handle with only as much force as is necessary for smooth cutting and without significant decrease in blade speed.
- Gently press down the handle to perform the cut. If the handle is pressed down with force or if lateral force is applied, the blade will vibrate and leave a mark (saw mark) in the workpiece and the precision of the cut will be impaired.



## Press cutting

### ► Fig.26

Secure the workpiece with the vise. Switch on the tool without the blade making any contact and wait until the blade attains full speed before lowering. Then gently lower the handle to the fully lowered position to cut the workpiece. When the cut is completed, switch off the tool and **WAIT UNTIL THE BLADE HAS COME TO A COMPLETE STOP** before returning the blade to its fully elevated position.

## Miter cutting

Refer to the previously covered "Adjusting the miter angle".

## Cutting aluminum extrusion

### ► Fig.27: 1. Horizontal vise 2. Spacer block 3. Aluminum extrusion 4. Guide fence

When securing aluminum extrusions, use spacer blocks or pieces of scrap as shown in the figure to prevent deformation of the aluminum. Use a cutting lubricant when cutting the aluminum extrusion to prevent build-up of the aluminum material on the blade.

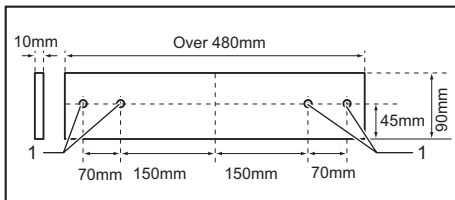
### ▲ CAUTION:

- Never attempt to cut thick or round aluminum extrusions. Thick aluminum extrusions may come loose during operation and round aluminum extrusions cannot be secured firmly with this tool.

## Wood facing

### ► Fig.28: 1. Guide fence 2. Wood facing

Use of wood facing helps to assure splinter-free cuts in workpieces. Attach a wood facing to the guide fence using the holes in the guide fence. See the figure concerning the dimensions for a suggested wood facing.



1. Hole

### ▲ CAUTION:

- Use straight wood of even thickness as the wood facing.
- Use screws to attach the wood facing to the guide fence. The screws should be installed so that the screw heads are below the surface of the wood facing.
- When the wood facing is attached, do not turn the turn base with the handle lowered. The blade and/or the wood facing will be damaged.

### NOTE:

- When the wood facing is attached, the maximum cutting capacities in width will be reduced by thickness of the wood facing.

## Cutting repetitive lengths

### ► Fig.29: 1. Set plate 2. Holder 3. Screw

When cutting several pieces of stock to the same length, ranging from 300 mm to 400 mm, use of the set plate (optional accessory) will facilitate more efficient operation. Install the set plate on the holder (optional accessory) as shown in the figure. Align the cutting line on your workpiece with either the left or right side of the groove in the kerf board, and while holding the workpiece from moving, move the set plate flush against the end of the workpiece. Then secure the set plate with the screw. When the set plate is not used, loosen the screw and turn the set plate out of the way.

### NOTE:

- Use of the holder-rod assembly (optional accessory) allows cutting repetitive lengths up to 2,200 mm approximately.

## Carrying tool

### ► Fig.30: 1. Handle latch

Make sure that the tool is unplugged. Secure the turn base at right miter angle fully by means of the grip. Lower the handle fully and lock it in the lowered position by turning the handle latch to the locked position. Carry the tool by holding both sides of the tool base as shown in the figure. If you remove the holders, dust bag, etc., you can carry the tool more easily.

### ► Fig.31

### ▲ CAUTION:

- Always secure all moving portions before carrying the tool.
- Handle latch is for carrying and storage purposes only and not for any cutting operations.

## MAINTENANCE

### ▲ CAUTION:

- Always be sure that the tool is switched off and unplugged before attempting to perform inspection or maintenance.
- Never use gasoline, benzine, thinner, alcohol or the like. Discoloration, deformation or cracks may result.

### ▲ WARNING:

- Always be sure that the blade is sharp and clean for the best and safest performance.

## Adjusting the cutting angle

This tool is carefully adjusted and aligned at the factory, but rough handling may have affected the alignment. If your tool is not aligned properly, perform the following:

► **Fig.32:** 1. Hex bolt

Loosen the grip which secures the turn base. Turn the turn base so that the pointer points to 0° on the miter scale. Then turn the turn base slightly clockwise and counterclockwise to seat the turn base in the 0° miter notch. (Leave as it is if the pointer does not point to 0°.) Loosen the hex bolts securing the guide fence using the socket wrench.

Lower the handle fully and lock it in the lowered position by turning the handle latch to the locked position. Square the side of the blade with the face of the guide fence using a triangular rule, try-square, etc. Then securely tighten the hex bolts on the guide fence in the order from the right side.

► **Fig.33:** 1. Guide fence 2. Triangular rule

Make sure that the pointer on the indication plate points to 0° on the miter scale. If the pointer does not point to 0°, loosen the screws which secure the indication plate and adjust it so that the pointer will point to 0°.

► **Fig.34:** 1. Pointer 2. Screws 3. Miter scale

## Adjusting for smooth handle action

► **Fig.35:** 1. Gear housing 2. Hex lock nut 3. Arm

The hex lock nut which holds the gear housing and the arm has been factory adjusted to assure smooth handle action up and down and to guarantee precise cutting. Do not tamper with it. Should looseness develop at the gear housing and arm connection, perform the following adjustment. Work the handle up and down while tightening the hex lock nut; the best position to tighten the hex lock nut is just before the motor body weight is obvious.

After adjusting the hex lock nut, be sure that the handle returns automatically to the initial, raised position from any position. If the hex lock nut is too loose, the cutting accuracy will be affected; if it is too tight, it will be hard to work the handle up and down. Note that this is a self locking nut. It is a special type that does not loosen in normal use. It should not be overtightened or replaced with other types of nuts.

## Replacing carbon brushes

► **Fig.36:** 1. Limit mark

Remove and check the carbon brushes regularly. Replace when they wear down to the limit mark. Keep the carbon brushes clean and free to slip in the holders. Both carbon brushes should be replaced at the same time. Use only identical carbon brushes.

Use a screwdriver to remove the brush holder caps. Take out the worn carbon brushes, insert the new ones and secure the brush holder caps.

► **Fig.37:** 1. Screwdriver 2. Brush holder cap

## After use

- After use, wipe off chips and dust adhering to the tool with a cloth or the like. Keep the blade guard clean according to the directions in the previously covered "Blade guard". Lubricate the sliding portions with tool oil to prevent rust.

To maintain product SAFETY and RELIABILITY, repairs, any other maintenance or adjustment should be performed by Makita Authorized Service Centers, always using Makita replacement parts.

## OPTIONAL ACCESSORIES

**⚠WARNING:** These Makita accessories or attachments are recommended for use with your Makita tool specified in this manual. The use of any other accessories or attachments may result in serious personal injury.

**⚠WARNING:** Only use the Makita accessory or attachment for its stated purpose. Misuse of an accessory or attachment may result in serious personal injury.

If you need any assistance for more details regarding these accessories, ask your local Makita Service Center.

- Carbide-tipped saw blades (Refer to our website or contact your local Makita dealer for the correct saw blades to be used for the material to be cut.)
- Socket wrench
- Holder set
- Set plate
- Dust bag
- Triangular rule
- Vise assembly (Horizontal vise)
- Vise assembly (Vertical vise)
- Lock-off button (2 pcs.)

**NOTE:**

- Some items in the list may be included in the tool package as standard accessories. They may differ from country to country.

## SPÉCIFICATIONS

Modèle	LS1440	
Diamètre de lame	355 mm	
Diamètre d'orifice	Pour les pays non européens	25 mm ou 25,4 mm (selon le pays)
	Pour les pays européens	25 mm
Épaisseur max. du trait de la lame de scie	3,4 mm	
Angle de coupe d'onglet max.	Gauche 45°, droite 45°	
Vitesse à vide	3 900 min <sup>-1</sup>	
Dimensions (L x l x H)	596 mm x 550 mm x 630 mm	
Poids net	33,1 kg	
Catégorie de sécurité	□/II	

- Étant donné l'évolution constante de notre programme de recherche et de développement, les spécifications contenues dans ce manuel sont sujettes à modification sans préavis.
- Les spécifications peuvent varier suivant les pays.
- Poids selon la procédure EPTA 01/2014

### Capacités de coupe max. (H x l)

Angle de coupe d'onglet	
0°	45° (gauche et droite)
122 mm x 152 mm	122 mm x 115 mm

## Symboles

Vous trouverez ci-dessous les symboles utilisés pour l'appareil. Veuillez à comprendre leur signification avant toute utilisation.



Lire le mode d'emploi.



DOUBLE ISOLATION



Pour éviter les blessures provoquées par les objets projetés, maintenir la tête de la scie en position basse une fois la coupe terminée, jusqu'à ce que la lame soit complètement arrêtée.



Ne pas placer les mains ou les doigts près de la lame.



Pour votre sécurité, retirez copeaux ou autres fragments de la surface du plateau avant la mise en route.



Uniquement pour les pays de l'Union européenne  
Ne pas jeter les appareils électriques avec les ordures ménagères ! Conformément à la directive européenne relative aux déchets d'équipements électriques et électroniques ainsi qu'à son application en conformité avec les lois nationales, les appareils électriques qui ont atteint la fin de leur durée de service doivent être collectés séparément et renvoyés à un établissement de recyclage respectueux de l'environnement.

## Utilisations

L'outil est conçu pour effectuer des coupes rectilignes et des coupes d'onglet dans le bois, avec précision. En utilisant des lames de scie appropriées, l'aluminium peut également être scié.

## Alimentation

L'outil ne devra être raccordé qu'à une alimentation de la même tension que celle qui figure sur la plaque signalétique, et il ne pourra fonctionner que sur un courant secteur monophasé. Réalisé avec une double isolation, il peut de ce fait être alimenté par une prise sans mise à la terre.

## Pour les systèmes de distribution publics à basse tension, entre 220 V et 250 V

La mise sous tension et hors tension des appareils électriques entraîne des fluctuations de tension. L'utilisation de cet appareil dans des conditions d'alimentation électrique inadéquates peut avoir des effets néfastes sur le fonctionnement des autres équipements. Il ne devrait toutefois pas y avoir d'effets négatifs si l'impédance de l'alimentation est égale ou inférieure à 0,39 ohm. La prise de courant utilisée pour cet appareil doit être protégée par un fusible ou un disjoncteur de protection à déclenchement lent.

## Bruit

Niveau de bruit pondéré A typique, déterminé selon EN62841-3-9 :

Niveau de pression sonore ( $L_{pA}$ ) : 94 dB (A)

Niveau de puissance sonore ( $L_{WA}$ ) : 105 dB (A)

Incertitude (K) : 3 dB (A)

**NOTE** : La ou les valeurs d'émission de bruit déclarées ont été mesurées conformément à la méthode de test standard et peuvent être utilisées pour comparer les outils entre eux.

**NOTE** : La ou les valeurs d'émission de bruit déclarées peuvent aussi être utilisées pour l'évaluation préliminaire de l'exposition.

**⚠ AVERTISSEMENT** : Portez un serre-tête antibruit.

**⚠ AVERTISSEMENT** : L'émission de bruit lors de l'usage réel de l'outil électrique peut être différente de la ou des valeurs déclarées, suivant la façon dont l'outil est utilisé, particulièrement selon le type de pièce usinée.

**⚠ AVERTISSEMENT** : Les mesures de sécurité à prendre pour protéger l'utilisateur doivent être basées sur une estimation de l'exposition dans des conditions réelles d'utilisation (en tenant compte de toutes les composantes du cycle d'utilisation, comme par exemple le moment de sa mise hors tension, lorsqu'il tourne à vide et le moment de son déclenchement).

## Vibrations

Valeur totale de vibrations (somme de vecteur triaxial) déterminée selon EN62841-3-9 :

Émission de vibrations ( $a_h$ ) : 2,5 m/s<sup>2</sup>

Incertitude (K) : 1,5 m/s<sup>2</sup>

**NOTE** : La ou les valeurs de vibration totales déclarées ont été mesurées conformément à la méthode de test standard et peuvent être utilisées pour comparer les outils entre eux.

**NOTE** : La ou les valeurs de vibration totales déclarées peuvent aussi être utilisées pour l'évaluation préliminaire de l'exposition.

**⚠ AVERTISSEMENT** : L'émission de vibrations lors de l'usage réel de l'outil électrique peut être différente de la ou des valeurs déclarées, suivant la façon dont l'outil est utilisé, particulièrement selon le type de pièce usinée.

**⚠ AVERTISSEMENT** : Les mesures de sécurité à prendre pour protéger l'utilisateur doivent être basées sur une estimation de l'exposition dans des conditions réelles d'utilisation (en tenant compte de toutes les composantes du cycle d'utilisation, comme par exemple le moment de sa mise hors tension, lorsqu'il tourne à vide et le moment de son déclenchement).

## Déclaration de conformité CE

*Pour les pays européens uniquement*

La déclaration de conformité CE est fournie en Annexe A à ce mode d'emploi.

## Consignes de sécurité générales pour outils électriques

**⚠ AVERTISSEMENT** : Veuillez lire les consignes de sécurité, instructions, illustrations et spécifications qui accompagnent cet outil électrique. Le non-respect de toutes les instructions indiquées ci-dessous peut entraîner une électrocution, un incendie et/ou de graves blessures.

## Conservez toutes les mises en garde et instructions pour référence ultérieure.

Le terme « outil électrique » dans les avertissements fait référence à l'outil électrique alimenté par le secteur (avec cordon d'alimentation) ou à l'outil électrique fonctionnant sur batterie (sans cordon d'alimentation).

## Consignes de sécurité pour scies radiales

1. Les scies radiales sont conçues pour couper le bois ou des produits similaires au bois ; elles ne peuvent pas être utilisées avec des meules à tronçonner pour couper des matériaux ferreux comme des barres, des tiges, des goujons, etc. La poussière abrasive provoque le blocage des pièces mobiles comme le protecteur inférieur. Les étincelles produites par le tronçonnage abrasif brûleront le protecteur inférieur, le pare-éclats et les autres pièces en plastique.
2. Utilisez des dispositifs de serrage pour soutenir la pièce si possible. Si vous soutenez la pièce avec la main, vous devez toujours tenir votre main à au moins 100 mm des côtés de la lame de scie. N'utilisez pas cette scie pour découper des morceaux trop petits pour être solidement bloqués ou tenus avec la main. Si votre main est placée trop près de la lame de scie, cela présente un risque accru de blessures en cas de contact avec la lame.
3. La pièce doit être immobile et bloquée ou maintenue à la fois contre le guide et la table. En aucun cas, ne poussez la pièce dans la lame, ni ne coupez « à main levée ». Les pièces non retenues ou en mouvement pourraient être projetées à grande vitesse et vous blesser.
4. Ne croisez jamais les mains sur la ligne de coupe prévue devant ou derrière la lame de scie. Soutenir la pièce les « mains croisées », à savoir en tenant la pièce à droite de la lame de scie avec la main gauche et inversement, est très dangereux.

► Fig.1

5. Ne tendez pas les mains derrière le guide plus près que 100 mm d'un côté ou de l'autre de la lame de scie pour retirer les chutes de bois ou pour tout autre motif pendant que la lame tourne. La proximité de la lame de scie en rotation avec votre main pourrait ne pas être évidente et vous pourriez gravement vous blesser.
6. Inspectez votre pièce avant la coupe. Si la pièce est arquée ou tordue, serrez-la en place avec la face externe arquée tournée vers le guide. Assurez-vous toujours qu'il n'y a pas d'espace entre la pièce, le guide et la table le long de la ligne de coupe. Les pièces courbées ou tordues peuvent se tordre ou bouger et pincer la lame de scie en rotation pendant la coupe. La pièce ne doit pas avoir de clous ou corps étrangers.

7. **N'utilisez pas la scie tant que la table n'est pas dégagée de tous les outils, chutes de bois, etc., à l'exception de la pièce.** Les petits débris, les morceaux de bois détachés ou d'autres objets entrant en contact avec la lame en rotation peuvent être projetés à grande vitesse.
  8. **Coupez uniquement une pièce à la fois.** Plusieurs pièces empiilées ne peuvent pas être correctement serrées ou attachées et risquent de pincer la lame ou de bouger pendant la coupe.
  9. **Avant utilisation, assurez-vous que la scie radiale est installée ou posée sur un plan de travail plat et solide.** Un plan de travail plat et solide réduit le risque d'instabilité de la scie radiale.
  10. **Planifiez votre travail. Chaque fois que vous changez le réglage de l'angle de coupe en biseau ou l'angle de coupe d'onglet, assurez-vous que le guide réglable est placé correctement pour soutenir la pièce et qu'il ne gênera pas la lame ou le dispositif de protection.** Sans mettre l'outil sous tension (ON) et sans pièce sur la table, déplacez la lame de scie pour une simulation de coupe complète afin de vous assurer qu'il n'y aura pas d'interférence ou de risque de couper le guide.
  11. **Prévoyez des supports adéquats comme des rallonges de table, un chevalet de sciage, etc., pour les pièces plus larges ou plus longues que la table.** Les pièces plus longues ou plus larges que la table d'appui de la scie radiale peuvent basculer si elles ne sont pas solidement soutenues. Si la partie coupée de la pièce ou la pièce elle-même bascule, elle peut soulever le protecteur inférieur ou être projetée par la lame en rotation.
  12. **Ne vous servez pas d'une autre personne à la place d'une rallonge de table ou d'un support supplémentaire.** Un soutien instable de la pièce peut pincer la lame ou faire bouger la pièce pendant la coupe vous entraînant vous et votre assistant vers la lame en rotation.
  13. **La partie coupée de la pièce ne doit pas être coincée ou appuyée par quelque moyen que ce soit contre la lame de scie en rotation.** Si elle est emprisonnée, au moyen de butées longitudinales par exemple, la partie coupée de la pièce risque de se coincer contre la lame et d'être violemment projetée.
  14. **Utilisez toujours un dispositif de serrage ou de fixation conçu pour soutenir adéquatement les pièces rondes comme les barres ou les tuyaux.** Les barres ont tendance à rouler pendant la coupe, faisant « mordre » la lame et entraînant la pièce et votre main sur la lame.
  15. **Attendez que la lame ait atteint sa pleine vitesse avant de la mettre en contact avec la pièce.** Vous réduirez ainsi le risque de projection de la pièce.
  16. **Si la pièce ou la lame se coince, mettez la scie radiale hors tension. Attendez que toutes les pièces en mouvement s'arrêtent et débranchez la fiche du cordon d'alimentation de la prise secteur et/ou retirez la batterie. Puis essayez de libérer la pièce coincée.** Si vous continuez à scier avec une pièce coincée, vous risquez de perdre le contrôle de la scie radiale ou de l'endommager.
  17. **Une fois la coupe terminée, relâchez l'interrupteur, tenez la tête de scie vers le bas et attendez l'arrêt de la lame avant de retirer la partie coupée de la pièce.** Approcher votre main de la lame « en roue libre » est dangereux.
  18. **Tenez fermement la poignée lorsque vous faites une coupe incomplète ou lorsque vous relâchez l'interrupteur avant d'avoir complètement abaissé la tête de scie.** Le freinage de la scie peut tirer brusquement la tête de scie vers le bas, ce qui présente un risque de blessure.
  19. **Utilisez uniquement une lame de scie ayant le diamètre indiqué sur l'outil ou spécifié dans le mode d'emploi.** L'utilisation d'une taille incorrecte de lame peut affecter la protection de la lame ou le fonctionnement du carter de protection, ce qui pourrait provoquer de graves blessures.
  20. **Utilisez uniquement des lames de scie sur lesquelles est indiquée une vitesse égale ou supérieure à la vitesse figurant sur l'outil.**
  21. **N'utilisez pas la scie pour couper autre chose que du bois, de l'aluminium ou des matériaux similaires.**
  22. **(Pour les pays européens uniquement) Utilisez toujours une lame conforme à la norme EN847-1.**
- Instructions supplémentaires**
1. **Faites en sorte que l'atelier ne présente pas de dangers pour les enfants en plaçant des cadenas.**
  2. **Ne vous tenez jamais debout sur l'outil.** Vous risqueriez de gravement vous blesser si l'outil bascule ou si vous touchez par inadvertance l'outil de coupe.
  3. **Ne laissez jamais sans surveillance un outil en marche. Mettez-le hors tension. Attendez que l'outil soit complètement arrêté avant de vous éloigner.**
  4. **N'utilisez jamais la scie sans les protecteurs en place. Vérifiez le bon fonctionnement du protecteur de lame avant chaque utilisation. N'utilisez pas la scie si le protecteur de lame ne se déplace pas librement et ne se referme pas instantanément. N'immobilisez jamais le protecteur de lame en position ouverte.**
  5. **Gardez bien les mains à l'écart de la lame de scie. Évitez tout contact avec une lame « en roue libre ». Vous pourriez vous blesser gravement.**
  6. **Immobilisez toujours toutes les pièces mobiles de l'outil avant de le transporter.**
  7. **La broche d'arrêt qui verrouille en position basse la tête de coupe sert à des fins de transport et de rangement uniquement et pas pour les opérations de coupe.**
  8. **Vérifiez soigneusement l'absence de fissures ou de dommages sur les lames avant l'utilisation. Remplacez immédiatement les lames fissurées ou abîmées. Les dépôts de colle et les copeaux de bois qui durcissent contre la lame ralentissent la scie et entraînent une augmentation des risques de choc en retour. Pour nettoyer la lame, retirez-la d'abord de l'outil, puis nettoyez-la avec un décapant, de l'eau chaude ou du kérosène. N'utilisez jamais d'essence pour nettoyer la lame.**

9. N'utilisez que les flasques spécifiés pour cet outil.
10. Prenez garde de ne pas endommager l'alésage, les flasques (tout particulièrement leur surface d'installation) ou le boulon. Si ces pièces sont endommagées, la lame peut se casser.
11. Assurez-vous que le socle rotatif est bien immobilisé, afin qu'il ne risque pas de se déplacer pendant l'opération. Utilisez les orifices sur le socle pour fixer la scie sur une plateforme de travail ou un établi stable. N'utilisez JAMAIS l'outil si vous vous trouvez dans une position incommode.
12. Assurez-vous que le blocage de l'arbre est relâché avant de mettre la sous tension.
13. Assurez-vous que la lame ne touche pas le socle rotatif quand elle est abaissée au maximum.
14. Tenez la poignée fermement. N'oubliez pas que la scie se déplace légèrement de haut en bas au démarrage et à l'arrêt.
15. Assurez-vous que la lame ne touche pas la pièce avant de mettre la sous tension.
16. Avant d'utiliser l'outil sur la pièce, faites-le tourner un instant à vide. Vérifiez que la lame ne présente ni balourd ni shimmy qui pourraient résulter d'un montage incorrect ou d'un déséquilibre.
17. Arrêtez immédiatement si vous remarquez quoi que ce soit d'anormal.
18. Ne tentez pas de bloquer la gâchette sur la position de marche (ON).
19. N'utilisez que les accessoires recommandés dans ce manuel. L'utilisation d'accessoires différents, disques à tronçonner notamment, peut entraîner des blessures.
20. Certains matériaux contiennent des produits chimiques qui peuvent être toxiques. Prenez garde de ne pas avaler la poussière et évitez tout contact avec la peau. Suivez les données de sécurité du fournisseur du matériau.

Consignes de sécurité supplémentaires pour le laser

1. RAYONNEMENT LASER, ÉVITEZ DE REGARDER FIXEMENT LE FAISCEAU OU DE L'OBSERVER À L'AIDE D'INSTRUMENTS OPTIQUES, PRODUIT LASER DE CLASSE 2M.

## CONSERVEZ CES INSTRUCTIONS.

**⚠ AVERTISSEMENT :** NE vous laissez PAS tromper (au fil d'une utilisation répétée) par un sentiment d'aisance et de familiarité avec le produit, en négligeant le respect rigoureux des consignes de sécurité qui accompagnent le produit en question. La MAUVAISE UTILISATION de l'outil ou l'ignorance des consignes de sécurité indiquées dans ce mode d'emploi peut entraîner de graves blessures.

## INSTALLATION

### Montage sur établi

À la sortie d'usine, la poignée est verrouillée en position abaissée au moyen du loquet de poignée. Libérez le loquet de poignée en abaissant légèrement la poignée et en tournant le loquet de poignée sur la position ouverte.

► **Fig.2:** 1. Loquet de poignée

Cet outil doit être boulonné avec quatre boulons sur une surface plane et stable au moyen des orifices pour boulon prévus sur le socle de l'outil. Ceci permettra d'éviter tout risque de renversement et de blessure.

► **Fig.3:** 1. Boulon

## DESCRIPTION DU FONCTIONNEMENT

### ⚠ ATTENTION :

- Assurez-vous toujours que l'outil est hors tension et débranché avant de l'ajuster ou de vérifier son fonctionnement.

### Protecteur de lame

► **Fig.4:** 1. Protecteur de lame

Le protecteur de lame s'élève automatiquement lorsque vous abaissez la poignée. Le protecteur étant équipé d'un ressort de rappel, il revient à sa position d'origine une fois la coupe terminée et la poignée relevée. NE MODIFIEZ, NI NE RETIREZ LE PROTECTEUR DE LAME OU SON RESSORT. Par mesure de sécurité, conservez toujours le protecteur de lame en bon état. Un fonctionnement irrégulier du protecteur de lame doit être corrigé sur-le-champ. Vérifiez que le mécanisme de rappel par ressort du protecteur fonctionne correctement. N'UTILISEZ JAMAIS L'OUTIL SI LE PROTECTEUR DE LAME OU LE RESSORT SONT ENDOMMAGÉS, DÉFECTUEUX OU RETIRÉS. CECI EST TRÈS DANGEREUX ET PEUT PROVOQUER DE GRAVES BLESSURES.

Si le protecteur de lame transparent devient sale ou si la sciure de bois y adhère au point que la lame ne soit plus bien visible, débranchez la scie et nettoyez soigneusement le protecteur avec un chiffon humide. N'utilisez aucun solvant ou nettoyant à base de pétrole sur le protecteur en plastique. Si le protecteur de lame est particulièrement sale et qu'il est difficile de voir à travers le protecteur, utilisez la clé à douille fournie pour desserrer le boulon hexagonal maintenant le capot central. Desserrez le boulon hexagonal en le tournant dans le sens inverse des aiguilles d'une montre et soulevez le protecteur de lame et le capot central. Avec le protecteur de lame dans cette position, il est possible de réaliser un nettoyage plus complet et efficace. Une fois le nettoyage terminé, exécutez la procédure ci-dessus dans l'ordre inverse et fixez le boulon. Ne retirez pas le ressort du protecteur de lame. Si le protecteur se décolore avec le temps ou sous l'effet des rayons ultraviolets, contactez un centre de service Makita pour obtenir un protecteur neuf. NE MODIFIEZ NI NE RETIREZ LE PROTECTEUR.

► **Fig.5:** 1. Protecteur de lame



## Plateau de découpe

### ► Fig.6: 1. Socle rotatif 2. Plateau de découpe

Le socle rotatif de cet outil est équipé d'un plateau de découpe pour minimiser la déchirure du côté de sortie de la coupe. Si une rainure n'a pas déjà été coupée dans le plateau de découpe en usine, il est nécessaire de couper la rainure avant d'utiliser réellement l'outil pour couper une pièce. Mettez l'outil sous tension et abaissez délicatement la lame pour couper une rainure dans le plateau de découpe.

## Maintien de la capacité de coupe maximale

### ► Fig.7: 1. Carter d'engrenage 2. Écrou hexagonal 3. Boulon de réglage

### ► Fig.8: 1. Surface supérieure du socle rotatif 2. Périphérie de la lame 3. Guide

Cet outil est réglé en usine pour offrir une capacité de coupe maximale avec une lame de scie de 355 mm. Lorsque vous installez une lame neuve, vérifiez toujours la position limite inférieure de la lame, et réglez-la comme suit si nécessaire :

Commencez par débrancher l'outil. Abaissez complètement la poignée. Desserrez l'écrou hexagonal à l'arrière du carter d'engrenage. Avec un tournevis, tournez le boulon de réglage jusqu'à ce que la périphérie de la lame s'étende légèrement sous la surface supérieure du socle rotatif au point où la face avant du guide rencontre la surface supérieure du socle rotatif.

Avec l'outil débranché, faites tourner la lame manuellement en maintenant la poignée en position complètement abaissée, afin d'être certain que la lame n'entre en contact avec aucune partie du socle inférieur. Au besoin, effectuez un léger réajustement. Après le réglage, serrez l'écrou hexagonal avec la clé tout en tenant soigneusement le boulon de réglage en place avec le tournevis.

À cette étape, assurez-vous que la poignée peut être verrouillée en position abaissée au moyen du loquet de poignée. Si la poignée ne peut pas être verrouillée, tournez le boulon de réglage pour verrouiller la poignée en position abaissée.

### ⚠ ATTENTION :

- Après avoir installé une lame neuve, assurez-vous toujours que la lame ne touche aucune partie du socle inférieur lorsque la poignée est complètement abaissée. Procédez toujours alors que l'outil est débranché.

## Réglage de l'angle de coupe d'onglet

### ► Fig.9: 1. Index 2. Levier de verrouillage 3. Secteur 4. Manche

Desserrez le manche en le tournant dans le sens inverse des aiguilles d'une montre. Tournez le socle rotatif tout en maintenant enfoncé le levier de verrouillage. Une fois déplacé le manche sur la position où l'index pointe sur l'angle souhaité sur le secteur, serrez fermement le manche dans le sens des aiguilles d'une montre.

### ⚠ ATTENTION :

- Lorsque vous tournez le socle rotatif, veillez à relever complètement la poignée.
- Après avoir modifié l'angle de coupe d'onglet, fixez toujours le socle rotatif en serrant le manche à fond.

## Plaque du guide

La plaque du guide est conçue pour empêcher les plus petites chutes de coupe de boucher l'intérieur du porte-lame. La plaque du guide se déplace automatiquement à droite ou à gauche à mesure que le socle rotatif est tourné.

## Interrupteur

### ⚠ ATTENTION :

- Avant de brancher l'outil, assurez-vous toujours que la gâchette fonctionne correctement et revient en position d'arrêt une fois relâchée.

### ⚠ AVERTISSEMENT :

- N'utilisez JAMAIS un outil dont le fonctionnement de la gâchette est défectueux. Tout outil dont la gâchette est défectueuse est **EXTRÊMEMENT DANGEREUX** et doit être réparé avant toute nouvelle utilisation.

## Pour les outils pourvus d'un bouton de déverrouillage

### ► Fig.10: 1. Bouton de sécurité 2. Gâchette

### ⚠ ATTENTION :

- Lorsque vous n'utilisez pas l'outil, retirez le bouton de sécurité et rangez-le en lieu sûr. Ceci afin d'empêcher une utilisation non autorisée.
- Évitez d'appuyer sur la gâchette avec force lorsque le bouton de sécurité n'est pas enfoncé. Vous risqueriez de briser l'interrupteur.

Pour éviter tout déclenchement accidentel de la gâchette, l'outil est muni d'un bouton de sécurité. Pour démarrer l'outil, enfoncez le bouton de sécurité puis appuyez sur la gâchette. Pour l'arrêter, relâchez la gâchette.

### ⚠ AVERTISSEMENT :

- Pour assurer votre sécurité, cet outil est équipé d'un bouton de sécurité qui empêche de faire démarrer l'outil par inadvertance. N'utilisez JAMAIS l'outil s'il se met en marche lorsque vous appuyez simplement sur la gâchette sans avoir enfoncé le bouton de sécurité. Confiez l'outil à un centre d'entretien Makita pour le faire réparer AVANT de poursuivre l'utilisation.
- NE FIXEZ JAMAIS le bouton de sécurité avec du ruban adhésif et abstenez-vous de le mettre hors fonction ou de contrecarrer son utilité.

## Pour les outils sans bouton de sécurité

### ► Fig.11: 1. Gâchette

Mettez l'outil sous tension et attendez que la lame ait atteint sa pleine vitesse. Ensuite, abaissez délicatement la lame dans la coupe.

Il suffit d'enclencher la gâchette pour démarrer l'outil. Pour l'arrêter, relâchez la gâchette.

# ASSEMBLAGE

## ⚠ ATTENTION :

- Avant d'effectuer toute intervention sur l'outil, assurez-vous toujours qu'il est hors tension et débranché.

## Pose et dépose de la lame de scie

### ⚠ ATTENTION :

- Avant de poser ou de retirer la lame, assurez-vous toujours que l'outil est hors tension et débranché.
- Utilisez exclusivement la clé à douille Makita fournie pour installer ou retirer la lame. Sinon, le boulon hexagonal risque d'être trop ou pas assez serré. Cela peut entraîner des blessures.

## Retrait de la lame

Pour retirer la lame, desserrez avec la clé à douille le boulon hexagonal maintenant le capot central en le tournant dans le sens inverse des aiguilles d'une montre. Soulevez le protecteur de lame et le capot central.

► Fig.12: 1. Clé à douille

Appuyez sur le blocage de l'arbre pour verrouiller l'axe et desserrez avec la clé à douille le boulon hexagonal dans le sens inverse des aiguilles d'une montre. Retirez ensuite le boulon hexagonal, le flasque extérieur et la lame.

► Fig.13: 1. Blocage de l'arbre

► Fig.14: 1. Clé à douille

## Pose de la lame

Pour poser la lame, fixez-la soigneusement sur l'axe en vous assurant que le sens de la flèche sur la surface de la lame correspond au sens de la flèche sur la porte-lame. Installez le flasque extérieur et le boulon hexagonal, puis, à l'aide de la clé à douille, serrez à fond le boulon hexagonal dans le sens des aiguilles d'une montre tout en appuyant sur le blocage de l'arbre.

► Fig.15: 1. Porte-lame 2. Flèche 3. Lame 4. Flèche

### Pour les types non européens

► Fig.16: 1. Axe 2. Flasque intérieur 3. Lame  
4. Flasque extérieur 5. Boulon hexagonal  
6. Repère 25,4 mm

## ⚠ ATTENTION :

- Le flasque intérieur présente un diamètre de 25 mm d'un côté et un diamètre de 25,4 mm de l'autre côté. Le côté du diamètre de 25,4 mm est marqué « 25.4 ». Utilisez le côté correct pour le diamètre d'orifice de la lame que vous prévoyez d'utiliser. La fixation de la lame du mauvais côté peut provoquer des vibrations dangereuses.

### Pour le type européen

► Fig.17: 1. Axe 2. Flasque intérieur 3. Lame  
4. Flasque extérieur 5. Boulon hexagonal

## ⚠ ATTENTION :

- Assurez-vous que la partie saillante de 25 mm sur le flasque intérieur positionné à l'extérieur s'engage parfaitement dans l'orifice de la lame de scie de 25 mm. La fixation de la lame du mauvais côté peut provoquer des vibrations dangereuses.

## Retour en place du protecteur de lame

Glissez la goupille sur le protecteur de lame dans la fente sur le bras du guide tout en retournant le protecteur de lame à sa position initiale complètement fermée. Puis serrez le boulon hexagonal dans le sens des aiguilles d'une montre pour fixer le capot central. Abaissez la poignée pour vous assurer que le protecteur de lame se déplace adéquatement. Avant de passer à la coupe, vérifiez que le blocage de l'arbre n'est pas engagé sur l'axe.

► Fig.18: 1. Goupille 2. Bras du guide

## Raccordement à un aspirateur

Pour effectuer une opération de coupe propre, raccordez un aspirateur Makita.

► Fig.19

## Sac à poussière

► Fig.20: 1. Raccord à poussières 2. Sac à poussière  
3. Barrette

L'utilisation du sac à poussière garantit une coupe propre et facilite la collecte de la poussière. Pour fixer le sac à poussière, insérez-le dans le raccord à poussières. Lorsque le sac à poussière est environ à moitié plein, retirez-le de l'outil et tirez sur la barrette. Videz le sac à poussière en le tapotant légèrement pour retirer les particules qui adhèrent à sa surface intérieure et risqueraient de faire obstacle à la collecte de la poussière par la suite.

## Fixation de la pièce de travail

### ⚠ AVERTISSEMENT :

- Il est très important de toujours immobiliser correctement et fermement la pièce à travailler avec l'étau. À défaut, l'outil pourrait être endommagé et/ou la pièce détruite. VOUS POURRIEZ ÉGALEMENT GRAVEMENT VOUS BLESSER. Par ailleurs, après la coupe, NE soulevez PAS la lame avant son arrêt complet.

### ⚠ ATTENTION :

- Pour couper des pièces de grande longueur, utilisez des supports aussi haut que le niveau de la surface supérieure du socle rotatif. Ne vous fiez pas uniquement à un étau vertical et/ou un étau horizontal pour immobiliser la pièce. Les matériaux minces ont tendance à s'affaisser. Soutenez la pièce sur toute sa longueur, pour éviter que la lame ne se coince et provoque un éventuel CHOC EN RETOUR.

► Fig.21: 1. Support 2. Socle rotatif



## Étau horizontal (accessoire en option)

► **Fig.22:** 1. Partie saillante 2. Poignée de l'étau

L'étau horizontal peut être installé du côté gauche ou du côté droit du socle. Lors de coupes d'onglet de 15° ou plus, installez l'étau horizontal sur le côté inverse au sens de rotation du socle rotatif. Quand vous tournez la poignée de l'étau vers la gauche, la vis se libère et la tige de l'étau peut être déplacée rapidement d'avant en arrière. La vis s'immobilise en tournant la poignée de l'étau vers la droite. Pour serrer la pièce, tournez doucement la poignée de l'étau vers la droite jusqu'à ce que la partie saillante atteigne sa position la plus élevée, puis serrez à fond. Si vous tournez la poignée de l'étau avec force ou tirez dessus pendant que vous la tournez vers la droite, vous risquez que la partie saillante s'arrête à mi-course. Dans ce cas, ramenez la poignée de l'étau vers la gauche jusqu'à ce que la vis soit libérée avant de tourner à nouveau délicatement vers la droite.

### ⚠ ATTENTION :

- Pour bien serrer la pièce, il faut que la partie saillante se trouve sur sa position la plus élevée. Autrement, la pièce risque de ne pas être suffisamment serrée. Il pourrait en résulter la projection de la pièce, des dommages à la lame ou une perte de contrôle, ce qui peut provoquer de GRAVES BLESSURES.

## Étau vertical (accessoire en option)

► **Fig.23:** 1. Tige de l'étau 2. Vis 3. Guide 4. Poignée de l'étau 5. Bras de l'étau

► **Fig.24:** 1. Tige de l'étau 2. Vis 3. Poignée de l'étau 4. Bras de l'étau 5. Guide

L'étau vertical peut être installé du côté gauche ou du côté droit du guide. Engagez la tige de l'étau dans l'orifice du guide et serrez la vis pour fixer la tige de l'étau. Placez le bras de l'étau en fonction de l'épaisseur et de la forme de la pièce à travailler et fixez le bras de l'étau en serrant la vis. Si la vis fixant le bras de l'étau entre en contact avec le guide, installez-la de l'autre côté du bras de l'étau. Assurez-vous qu'aucune partie de l'outil n'entre en contact avec l'étau lorsque vous abaissez complètement la poignée. Si une quelconque partie de l'outil entre en contact avec l'étau, modifiez son emplacement. Appuyez la pièce à plat contre le guide et le socle rotatif. Placez la pièce sur la position de coupe désirée et maintenez-la en place en serrant à fond la poignée de l'étau.

### ⚠ ATTENTION :

- La pièce doit être fixée fermement sur le socle rotatif et le guide avec l'étau pendant toutes les opérations.

## Installation des servantes (accessoire en option)

► **Fig.25:** 1. Servante 2. Vis

Installez les servantes des deux côtés du socle et fixez-les avec les vis.

## UTILISATION

### ⚠ ATTENTION :

- Avant l'utilisation, assurez-vous d'avoir dégagé la poignée de la position abaissée en tournant le loquet de poignée sur la position ouverte.
- Avant de mettre le contact, assurez-vous que la lame ne touche pas la pièce, etc.
- Pendant la coupe, n'appliquez pas une pression excessive sur la poignée. Une force excessive risquerait de provoquer une surcharge du moteur et/ou une diminution de la capacité de coupe. Abaissez la poignée en appliquant uniquement la force nécessaire pour obtenir une coupe en douceur sans diminuer de façon significative la vitesse de la lame.
- Appuyez doucement sur la poignée pour effectuer la coupe. Si vous appuyez trop fort sur la poignée ou appuyez latéralement, la lame vibrera et laissera une marque (marque de sciage) sur la pièce ; la précision de coupe sera également affectée.

## Coupe sous presse

► **Fig.26**

Assurez la pièce avec l'étau. Mettez l'outil en marche alors que la lame ne touche à rien et attendez qu'elle ait atteint sa pleine vitesse avant de l'abaisser. Abaissez ensuite doucement la poignée sur la position la plus basse pour couper la pièce. Lorsque la coupe est terminée, mettez l'outil hors tension et ATTENDEZ QUE LA LAME SE SOIT COMPLÈTEMENT ARRÊTÉE avant de ramener la lame en position complètement levée.

## Coupe d'onglet

Reportez-vous à la section précédente « Réglage de l'angle de coupe d'onglet ».

## Coupe d'aluminium extrudé

► **Fig.27:** 1. Étau horizontal 2. Cale d'espacement 3. Aluminium extrudé 4. Guide

Pour immobiliser des pièces en aluminium extrudé, utilisez des blocs espaceurs ou des morceaux de ferraille comme illustré sur la figure pour éviter une déformation de l'aluminium. Utilisez un lubrifiant de coupe pour couper de l'aluminium extrudé afin d'éviter l'accumulation de matériau en aluminium sur la lame.

### ⚠ ATTENTION :

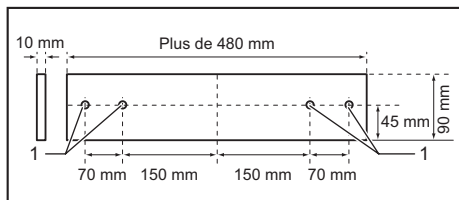
- N'essayez jamais de couper des morceaux épais ou arrondis d'aluminium extrudé. Les morceaux épais d'aluminium extrudé peuvent se détacher pendant la coupe et les morceaux ronds d'aluminium extrudé ne peuvent pas être correctement immobilisés avec cet outil.

## Parement de bois

### ► Fig.28: 1. Guide 2. Parement de bois

L'utilisation de parements de bois permet d'effectuer des coupes sans éclats. Fixez un parement de bois sur le guide en utilisant les orifices du guide.

Pour les dimensions recommandées du parement de bois, voir l'illustration.



1. Orifice

### ⚠ ATTENTION :

- Comme parement de bois, utilisez un morceau de bois droit d'épaisseur régulière.
- Utilisez des vis pour fixer le parement de bois au guide. Les vis doivent être posées de sorte que leur tête se trouve sous la surface du parement de bois.
- Une fois le parement de bois fixé, ne tournez pas le socle rotatif avec le bras abaissé. Vous risqueriez d'endommager la lame et/ou le parement de bois.

### NOTE :

- Lorsque le parement de bois est fixé, les capacités de coupe maximales en largeur seront réduites de l'épaisseur de ce dernier.

## Coupes répétées de longueur identique

### ► Fig.29: 1. Plaque de fixation 2. Servante 3. Vis

Pour couper plusieurs morceaux de matériau à la même longueur, qui peut être comprise entre 300 mm et 400 mm, utiliser la plaque de fixation (accessoire en option) rendra la coupe plus efficace. Installez la plaque de fixation sur sa servante (accessoire en option) comme indiqué sur la figure.

Alignez la ligne de coupe de la pièce sur le côté gauche ou droit de la rainure du plateau de découpe, et tout en empêchant la pièce de bouger, placez la plaque de fixation contre l'extrémité de la pièce. Fixez ensuite la plaque de fixation avec la vis. Lorsque vous ne vous servez pas de la plaque de fixation, desserrez la vis et tournez la plaque de fixation pour la dégager.

### NOTE :

- L'utilisation de l'ensemble de butées et tiges (accessoire en option) permet des coupes répétées d'une longueur identique pouvant aller jusqu'à environ 2 200 mm.

## Transport de l'outil

### ► Fig.30: 1. Loquet de poignée

Assurez-vous que l'outil est débranché. Fixez le socle rotatif complètement à un angle de coupe d'onglet droit au moyen du manche. Abaissez complètement la poignée et verrouillez-la sur la position abaissée en tournant le loquet de poignée sur la position verrouillée. Saisissez l'outil par les deux côtés du socle pour le transporter comme illustré sur la figure. L'outil sera plus facile à transporter si vous retirez les servantes, le sac à poussière, etc.

### ► Fig.31

### ⚠ ATTENTION :

- Immobilisez toujours toutes les pièces mobiles de l'outil avant de le transporter.
- Le loquet de poignée sert à des fins de transport et de rangement uniquement et pas pour les opérations de coupe.

## ENTRETIEN

### ⚠ ATTENTION :

- Assurez-vous toujours que l'outil est hors tension et débranché avant d'y effectuer tout travail d'inspection ou d'entretien.
- N'utilisez jamais d'essence, benzine, diluant, alcool ou autre produit similaire. Cela risquerait de provoquer la décoloration, la déformation ou la fissuration de l'outil.

### ⚠ AVERTISSEMENT :

- Pour obtenir de l'outil une performance optimale et une sécurité maximale, assurez-vous toujours que la lame est affûtée et propre.

## Réglage de l'angle de coupe

L'outil a été soigneusement réglé et aligné en usine, mais une manipulation maladroite a pu dérégler l'alignement. Si l'outil n'est pas aligné correctement, effectuez les opérations suivantes :

### ► Fig.32: 1. Boulon hexagonal

Desserrez le manche qui retient le socle rotatif. Faites pivoter le socle rotatif de sorte que l'index pointe sur 0° sur le secteur. Ensuite, tournez le socle rotatif légèrement vers la droite et la gauche pour le caler dans l'entaille d'onglet de 0°. (Laissez-le tel quel si l'index n'indique pas 0°.) Avec la clé à douille, desserrez les boulons hexagonaux qui retiennent le guide. Abaissez complètement la poignée et verrouillez-la sur la position abaissée en tournant le loquet de poignée sur la position verrouillée. Redressez le côté de la lame avec la face du guide à l'aide d'une règle triangulaire, d'une équerre de menuisier, etc. Serrez ensuite à fond les boulons hexagonaux du guide, dans l'ordre, en commençant du côté droit.

### ► Fig.33: 1. Guide 2. Règle triangulaire

Assurez-vous que l'index sur la plaque d'indication pointe sur 0° sur le secteur. Si l'index ne pointe pas sur 0°, desserrez les vis qui retiennent la plaque d'indication et réglez-la de sorte que l'index pointe sur 0°.

### ► Fig.34: 1. Index 2. Vis 3. Secteur

## Réglage pour une manipulation fluide de la poignée

► **Fig.35:** 1. Carter d'engrenage 2. Contre-écrou hexagonal 3. Bras

Le contre-écrou hexagonal qui retient le carter d'engrenage et le bras a été réglé en usine pour garantir une manipulation fluide de la poignée vers le haut et le bas et pour garantir une coupe précise. Ne le modifiez pas. Si le raccordement du carter d'engrenage et du bras devient lâche, procédez au réglage suivant. Bougez la poignée vers le haut et le bas tout en serrant le contre-écrou hexagonal ; la meilleure position pour serrer le contre-écrou hexagonal est juste avant que le poids du corps du moteur ne devienne évident.

Après avoir ajusté le contre-écrou hexagonal, veillez à ce que la poignée revienne automatiquement sur la position initiale élevée depuis toute position. Si le contre-écrou hexagonal est trop lâche, la précision de la coupe en sera affectée ; s'il est trop serré, il sera difficile de bouger la poignée vers le haut et le bas. Veuillez noter qu'il s'agit d'un écrou auto-bloquant. C'est un type spécial d'écrou qui ne se desserre pas sous une utilisation normale. Il ne doit pas être trop serré ou remplacé par un autre type d'écrou.

## Remplacement d'un balai en carbone

► **Fig.36:** 1. Repère d'usure

Retirez et vérifiez régulièrement les balais en carbone. Remplacez-les lorsqu'ils sont usés jusqu'au trait du repère d'usure. Maintenez les balais en carbone propres et en état de glisser aisément dans les porte-charbons. Les deux balais en carbone doivent être remplacés en même temps. N'utilisez que des balais en carbone identiques.

Retirez les bouchons de porte-charbon à l'aide d'un tournevis. Enlevez les balais en carbone usés, insérez les neufs et revissez solidement les bouchons de porte-charbon.

► **Fig.37:** 1. Tournevis 2. Bouchon de porte-charbon

## Après l'utilisation

- Après l'utilisation, essuyez les copeaux et poussières qui adhèrent à l'outil à l'aide d'un chiffon ou d'un objet similaire. Gardez le protecteur de lame propre, conformément aux instructions fournies dans la section précédente « Protecteur de lame ». Lubrifiez les parties coulissantes avec de l'huile pour outil afin de prévenir la formation de rouille.

Pour assurer la SÉCURITÉ et la FIABILITÉ du produit, toute réparation, tout travail d'entretien ou de réglage doivent être effectués par un centre de service après-vente Makita agréé, exclusivement avec des pièces de rechange Makita.

## ACCESSOIRES EN OPTION

**⚠️ AVERTISSEMENT :** Les accessoires ou pièces supplémentaires Makita qui suivent sont recommandés pour l'utilisation avec l'outil Makita spécifié dans ce manuel. L'utilisation de tout autre accessoire ou pièce supplémentaire peut entraîner de graves blessures.

**⚠️ AVERTISSEMENT :** Utilisez l'accessoire ou la pièce supplémentaire Makita uniquement dans le but spécifié. La mauvaise utilisation d'un accessoire ou d'une pièce supplémentaire peut entraîner de graves blessures.

Pour obtenir plus de détails sur ces accessoires, contactez votre centre d'entretien local Makita.

- Lames à dents de carbure (Consultez notre site Web ou contactez votre revendeur Makita local pour connaître les bonnes lames de scie à utiliser selon le matériau à couper.)
- Clé à douille
- Jeu de servantes
- Plaque de fixation
- Sac à poussière
- Règle triangulaire
- Ensemble d'étau (étau horizontal)
- Ensemble d'étau (étau vertical)
- Bouton de sécurité (x2)

### NOTE :

- Il se peut que certains éléments de la liste soient compris dans l'emballage de l'outil en tant qu'accessoires standard. Ils peuvent varier d'un pays à l'autre.

## TECHNISCHE DATEN

Modell	LS1440	
Sägeblattdurchmesser	355 mm	
Lochdurchmesser	Für Länder außerhalb Europas	25 mm oder 25,4 mm (länderspezifisch)
	Für europäische Länder	25 mm
Max. Schnittfugenbreite des Sägeblatts	3,4 mm	
Max. Gehrungswinkel	Links 45°, Rechts 45°	
Leerlaufdrehzahl	3.900 min <sup>-1</sup>	
Abmessungen (L x B x H)	596 mm × 550 mm × 630 mm	
Nettogewicht	33,1 kg	
Sicherheitsklasse	□/II	







- Wir behalten uns vor, Änderungen der technischen Daten im Zuge der Entwicklung und des technischen Fortschritts ohne vorherige Ankündigung vorzunehmen.
- Die technischen Daten können von Land zu Land unterschiedlich sein.
- Gewicht nach EPTA-Verfahren 01/2014

### Max. Schnittleistung (H × B)

Gehrungswinkel	
0°	45° (links und rechts)
122 mm x 152 mm	122 mm x 115 mm

### Symbole

Nachfolgend werden die für das Gerät verwendeten Symbole beschrieben. Machen Sie sich vor der Benutzung mit ihrer Bedeutung vertraut.

	Betriebsanleitung lesen.
	DOPPELTE ISOLIERUNG
	Um Verletzungen durch herausgeschleuderte Teile zu vermeiden, halten Sie den Sägekopf nach Ausführung von Schnitten abgesenkt, bis das Sägeblatt völlig zum Stillstand gekommen ist.
	Halten Sie Hände oder Finger vom Sägeblatt fern.
	Zur Ihrer eigenen Sicherheit sollten Späne und Kleinteile vor Beginn der Arbeit vom Tisch entfernt werden.
	Nur für EU-Länder Werfen Sie Elektrogeräte nicht in den Hausmüll! Unter Einhaltung der Europäischen Richtlinie über Elektro- und Elektronik-Altgeräte und ihrer Umsetzung gemäß den Landesgesetzen müssen Elektrogeräte, die das Ende ihrer Lebensdauer erreicht haben, getrennt gesammelt und einer umweltgerechten Recycling-Einrichtung zugeführt werden.

### Vorgesehene Verwendung

Das Werkzeug ist für genaue Gerad- und Gehrungsschnitte in Holz vorgesehen. Mit geeigneten Sägeblättern kann auch Aluminium gesägt werden.

### Stromversorgung

Das Werkzeug sollte nur an eine Stromquelle angeschlossen werden, deren Spannung mit der Angabe auf dem Typenschild übereinstimmt, und kann nur mit Einphasen-Wechselstrom betrieben werden. Diese sind doppelt schutzisoliert und können daher auch an Steckdosen ohne Erdleiter verwendet werden.

### Für öffentliche Niederspannungs-Verteilungssysteme mit einer Spannung zwischen 220 V und 250 V

Schaltvorgänge von Elektrogeräten verursachen Spannungsschwankungen. Der Betrieb dieses Gerätes unter ungünstigen Netzstrombedingungen kann sich nachteilig auf den Betrieb anderer Geräte auswirken. Bei einer Netzstromimpedanz von 0,39 Ohm oder weniger ist anzunehmen, dass keine negativen Effekte auftreten. Die für dieses Gerät verwendete Netzsteckdose muss durch eine Sicherung oder einen Schutzschalter mit trägen Auslösungseigenschaften geschützt sein.

## Geräusch

Typischer A-bewerteter Geräuschpegel ermittelt gemäß EN62841-3-9:

Schalldruckpegel ( $L_{pA}$ ): 94 dB (A)

Schallleistungspegel ( $L_{WA}$ ): 105 dB (A)

Messunsicherheit (K): 3 dB (A)

**HINWEIS:** Der (Die) angegebene(n) Schallemissionswert(e) wurde(n) im Einklang mit der Standardprüfmethode gemessen und kann (können) für den Vergleich zwischen Werkzeugen herangezogen werden.

**HINWEIS:** Der (Die) angegebene(n) Schallemissionswert(e) kann (können) auch für eine Vorbewertung des Gefährdungsgrads verwendet werden.

**⚠️ WARNUNG:** Einen Gehörschutz tragen.

**⚠️ WARNUNG:** Die Schallemission während der tatsächlichen Benutzung des Elektrowerkzeugs kann je nach der Benutzungsweise des Werkzeugs, und speziell je nach der Art des bearbeiteten Werkstücks, von dem (den) angegebenen Wert(en) abweichen.

**⚠️ WARNUNG:** Identifizieren Sie Sicherheitsmaßnahmen zum Schutz des Benutzers anhand einer Schätzung des Gefährdungsgrads unter den tatsächlichen Benutzungsbedingungen (unter Berücksichtigung aller Phasen des Arbeitszyklus, wie z. B. Ausschalt- und Leerlaufzeiten des Werkzeugs zusätzlich zur Betriebszeit).

## Schwingungen

Schwingungsgesamtwert (Drei-Achsen-Vektorsumme) ermittelt gemäß EN62841-3-9:

Schwingungsemission ( $a_v$ ): 2,5 m/s<sup>2</sup>

Messunsicherheit (K): 1,5 m/s<sup>2</sup>

**HINWEIS:** Der (Die) angegebene(n) Vibrationsgesamtwert(e) wurde(n) im Einklang mit der Standardprüfmethode gemessen und kann (können) für den Vergleich zwischen Werkzeugen herangezogen werden.

**HINWEIS:** Der (Die) angegebene(n) Vibrationsgesamtwert(e) kann (können) auch für eine Vorbewertung des Gefährdungsgrads verwendet werden.

**⚠️ WARNUNG:** Die Vibrationsemission während der tatsächlichen Benutzung des Elektrowerkzeugs kann je nach der Benutzungsweise des Werkzeugs, und speziell je nach der Art des bearbeiteten Werkstücks, von dem (den) angegebenen Emissionswert(en) abweichen.

**⚠️ WARNUNG:** Identifizieren Sie Sicherheitsmaßnahmen zum Schutz des Benutzers anhand einer Schätzung des Gefährdungsgrads unter den tatsächlichen Benutzungsbedingungen (unter Berücksichtigung aller Phasen des Arbeitszyklus, wie z. B. Ausschalt- und Leerlaufzeiten des Werkzeugs zusätzlich zur Betriebszeit).

## EG-Konformitätserklärung

*Nur für europäische Länder*

Die EG-Konformitätserklärung ist als Anhang A in dieser Bedienungsanleitung enthalten.

## Allgemeine Sicherheitswarnungen für Elektrowerkzeuge

**⚠️ WARNUNG:** Lesen Sie alle mit diesem Elektrowerkzeug gelieferten Sicherheitswarnungen, Anweisungen, Abbildungen und technischen Daten durch. Eine Missachtung der unten aufgeführten Anweisungen kann zu einem elektrischen Schlag, Brand und/oder schweren Verletzungen führen.

## Bewahren Sie alle Warnungen und Anweisungen für spätere Bezugnahme auf.

Der Ausdruck „Elektrowerkzeug“ in den Warnhinweisen bezieht sich auf Ihr mit Netzstrom (mit Kabel) oder Akku (ohne Kabel) betriebenes Elektrowerkzeug.

## Sicherheitsanweisungen für Gehrungssägen

- Gehrungssägen sind zum Schneiden von Holz oder holzähnlichen Produkten vorgesehen. Sie können nicht mit Trennschleifscheiben zum Schneiden von Eisenmaterial, wie z. B. Stäben, Stangen, Bolzen usw., verwendet werden.** Schleifstaub kann Klemmen von beweglichen Teilen, wie z. B. der unteren Schutzhaube, verursachen. Beim Trennschleifen entstehende Funken verbrennen die untere Schutzhaube, den Schnittfugeneinsatz und andere Kunststoffteile.
- Stützen Sie das Werkstück nach Möglichkeit immer mit Klemmen ab. Wenn Sie das Werkstück mit der Hand abstützen, müssen Sie Ihre Hand immer mindestens 100 mm von beiden Seiten des Sägeblatts entfernt halten. Verwenden Sie diese Säge nicht zum Schneiden von Werkstücken, die zu klein sind, um sicher eingespannt oder von Hand gehalten zu werden.** Wenn Sie Ihre Hand zu nah an das Sägeblatt halten, besteht erhöhte Verletzungsgefahr durch Kontakt mit dem Sägeblatt.
- Das Werkstück muss stationär sein und sowohl gegen den Gehrungsanschlag als auch den Tisch geklemmt oder gehalten werden. Schieben Sie das Werkstück nicht in das Sägeblatt, und schneiden Sie auch nicht „freihändig“ in irgendeiner Weise.** Nicht gesicherte oder bewegliche Werkstücke könnten mit hoher Geschwindigkeit herausgeschleudert werden und Verletzungen verursachen.
- Halten Sie niemals Ihre Hand über die beachtete Schnittlinie, weder vor noch hinter dem Sägeblatt.** Abstützen des Werkstücks mit „überkreuzter Hand“, d. h. Halten des Werkstücks rechts vom Sägeblatt mit der linken Hand oder umgekehrt, ist sehr gefährlich.

► **Abb.1**

5. **Reichen Sie bei rotierendem Sägeblatt nicht hinter den Gehrungsanschlag, so dass sich eine Ihrer Hände näher als 100 mm links oder rechts des Sägeblatts befindet, um Holzabfälle zu entfernen, oder aus anderen Gründen.** Es mag nicht offensichtlich sein, wie nah sich Ihre Hand am Sägeblatt befindet, und Sie können sich ernsthaft verletzen.
  6. **Überprüfen Sie Ihr Werkstück vor dem Schneiden. Falls das Werkstück verbogen oder verzogen ist, spannen Sie es mit der äußeren gebogenen Seite zum Gehrungsanschlag gerichtet ein. Vergewissern Sie sich stets, dass keine Lücke zwischen Werkstück, Gehrungsanschlag und Tisch entlang der Schnittlinie vorhanden ist.** Verbogene oder verzogene Werkstücke neigen zum Drehen oder Verlagern und können beim Schneiden Klemmen am rotierenden Sägeblatt verursachen. Es dürfen keine Nägel oder Fremdkörper im Werkstück vorhanden sein.
  7. **Benutzen Sie die Säge nicht eher, bis sämtliche Werkzeuge, Holzabfälle usw. außer dem Werkstück vom Tisch weggeräumt sind.** Kleine Bruchstücke, lose Holzstücke oder andere Objekte, die das rotierende Sägeblatt berühren, können mit hoher Geschwindigkeit herausgeschleudert werden.
  8. **Schneiden Sie nur jeweils ein Werkstück.** Mehrere übereinander gestapelte Werkstücke lassen sich nicht angemessen einspannen oder abstützen und können am Sägeblatt klemmen oder sich während des Schneidens verlagern.
  9. **Vergewissern Sie sich vor Gebrauch, dass die Gehrungssäge auf einer ebenen, stabilen Arbeitsfläche montiert oder platziert ist.** Eine ebene und stabile Arbeitsfläche verringert die Gefahr, dass die Gehrungssäge instabil wird.
  10. **Planen Sie Ihre Arbeit. Stellen Sie bei jeder Änderung der Neigungs- oder Gehrungswinkeleinstellung sicher, dass der verstellbare Gehrungsanschlag korrekt eingestellt ist, um das Werkstück abzustützen, und dass er nicht mit dem Sägeblatt oder dem Schutzsystem in Berührung kommt.** Bewegen Sie das Sägeblatt durch einen vollständigen simulierten Schnitt, ohne das Werkzeug einzuschalten und ein Werkstück auf den Tisch zu legen, um zu gewährleisten, dass es nicht zu einer Berührung oder der Gefahr des Schneidens in den Gehrungsanschlag kommt.
  11. **Sorgen Sie für angemessene Abstützung eines Werkstücks, das breiter oder länger als die Tischplatte ist, z. B. durch Tischverlängerungen, Sägeböcke usw.** Werkstücke, die länger oder breiter als der Tisch der Gehrungssäge sind, können kippen, wenn sie nicht sicher abgestützt werden. Falls das abgeschnittene Stück oder Werkstück kippt, kann es die untere Schutzhaube anheben oder vom rotierenden Sägeblatt weggeschleudert werden.
  12. **Verwenden Sie keine zweite Person als Ersatz für eine Tischverlängerung oder zur zusätzlichen Abstützung.** Instabile Abstützung des Werkstücks kann dazu führen, dass das Sägeblatt klemmt oder das Werkstück sich während des Schneidvorgangs verlagert, so dass Sie und der Helfer in das rotierende Sägeblatt gezogen werden.
  13. **Das abgeschnittene Stücke darf nicht in irgendeiner Weise gegen das rotierende Sägeblatt geklemmt oder gedrückt werden.** Bei Einengung, z. B. durch Längenanschläge, könnte sich das abgeschnittene Stück gegen das Sägeblatt verkeilen und heftig herausgeschleudert werden.
  14. **Verwenden Sie stets eine Klemme oder eine Einspannvorrichtung, um Rundmaterial, wie z. B. Stangen oder Rohre, einwandfrei abzustützen.** Stangen neigen beim Schneiden zum Rollen, so dass das Sägeblatt „beißt“ und das Werkstück mit Ihrer Hand in das Sägeblatt zieht.
  15. **Warten Sie, bis das Sägeblatt die volle Drehzahl erreicht, bevor es das Werkstück kontaktiert.** Dadurch wird die Gefahr des Herausschleuderns des Werkstücks verringert.
  16. **Falls das Werkstück oder das Sägeblatt eingeklemmt wird, schalten Sie die Gehrungssäge aus. Warten Sie, bis alle beweglichen Teile zum Stillstand gekommen sind, und ziehen Sie dann den Stecker von der Stromquelle ab und/oder nehmen Sie den Akku ab. Befreien Sie dann das eingeklemmte Material.** Fortgesetztes Sägen mit einem eingeklemmten Werkstück könnte zum Verlust der Kontrolle oder zu einer Beschädigung der Gehrungssäge führen.
  17. **Nachdem Sie den Schnitt vollendet haben, lassen Sie den Schalter los, halten Sie den Sägekopf nach unten, und warten Sie, bis das Sägeblatt zum Stillstand kommt, bevor Sie das abgeschnittene Stück entfernen.** Es ist gefährlich, mit Ihrer Hand in die Nähe des auslaufenden Sägeblatts zu reichen.
  18. **Halten Sie den Handgriff sicher fest, wenn Sie einen unvollständigen Schnitt ausführen oder den Schalter loslassen, bevor sich der Sägekopf vollständig in der abgesenkten Position befindet.** Die Abbremsung der Säge kann bewirken, dass der Sägekopf plötzlich nach unten gezogen wird, so dass Verletzungsgefahr besteht.
  19. **Verwenden Sie nur Sägeblätter mit einem Durchmesser, der am Werkzeug markiert oder im Handbuch angegeben ist.** Die Verwendung eines Sägeblatts mit falscher Größe kann den einwandfreien Schutz des Sägeblatts oder den Schutzbetrieb beeinträchtigen, was ernsthaften Personenschaden zur Folge haben kann.
  20. **Verwenden Sie nur Sägeblätter, die mit einer Drehzahl markiert sind, die der am Werkzeug angegebenen Drehzahl entspricht oder diese übertrifft.**
  21. **Verwenden Sie die Säge nur zum Schneiden von Holz, Aluminium oder ähnlichen Materialien.**
  22. **(Nur für europäische Länder) Verwenden Sie immer ein Sägeblatt, das EN847-1 entspricht.**
- Zusätzliche Anweisungen**
1. **Machen Sie die Werkstatt mit Vorhängeschlossern kindersicher.**
  2. **Stellen Sie sich niemals auf das Werkzeug.** Durch Kippen des Werkzeugs oder versehentliche Berührung mit dem Schneidwerkzeug könnten ernsthafte Verletzungen auftreten.



3. Lassen Sie das Werkzeug niemals unbeaufsichtigt laufen. Schalten Sie die Stromversorgung aus. Verlassen Sie das Werkzeug nicht eher, bis es zu einem vollständigen Stillstand gekommen ist.
4. Betreiben Sie die Säge nicht ohne Schutzhauben. Überprüfen Sie die Sägeblattschutzhaube vor jeder Benutzung auf einwandfreies Schließen. Betreiben Sie die Säge nicht, wenn sich die Schutzhaube nicht ungehindert bewegt und sich nicht sofort schließt. Die Schutzhaube darf auf keinen Fall in der geöffneten Stellung festgeklemmt oder festgebunden werden.
5. Halten Sie Ihre Hände von der Schnittlinie des Sägeblatts fern. Vermeiden Sie die Berührung eines auslaufenden Sägeblatts. Es kann auch in diesem Zustand noch schwere Verletzungen verursachen.
6. Sichern Sie stets alle beweglichen Teile, bevor Sie das Werkzeug tragen.
7. Der Anschlagstift, der den Schneidkopf verriegelt, ist nur zum Tragen und zur Lagerung, nicht für irgendwelche Schneidarbeiten, vorgesehen.
8. Überprüfen Sie das Sägeblatt vor dem Betrieb sorgfältig auf Risse oder Beschädigung. Wechseln Sie ein gerissenes oder beschädigtes Sägeblatt unverzüglich aus. An den Sägeblättern haftendes und verhärtetes Gummi und Harz verlangsamen die Säge und erhöhen die Rückschlaggefahr. Halten Sie das Sägeblatt sauber, indem Sie es vom Werkzeug abmontieren und dann mit Gummi- und Harzentferner, heißem Wasser oder Petroleum reinigen. Verwenden Sie niemals Benzin zum Reinigen des Sägeblatts.
9. Verwenden Sie nur die für dieses Werkzeug vorgeschriebenen Flansche.
10. Achten Sie sorgfältig darauf, dass die Spindel, die Flansche (insbesondere die Ansatzfläche) oder die Schraube nicht beschädigt werden. Eine Beschädigung dieser Teile kann zu einem Sägeblattbruch führen.
11. Vergewissern Sie sich, dass der Drehteller einwandfrei gesichert ist, damit er sich während des Betriebs nicht bewegt. Verwenden Sie die Löcher in der Grundplatte, um die Säge an einer stabilen Arbeitsbühne oder Werkbank zu befestigen. Benutzen Sie das Werkzeug NIEMALS in Situationen, bei denen der Bediener gezwungen wäre, eine ungünstige Position einzunehmen.
12. Vergewissern Sie sich vor dem Einschalten des Werkzeugs, dass die Spindelarreterierung freigegeben ist.
13. Vergewissern Sie sich, dass das Sägeblatt in der tiefsten Position nicht mit dem Drehteller in Berührung kommt.
14. Halten Sie den Handgriff sicher fest. Beachten Sie, dass sich die Säge beim Anlaufen und Abstellen geringfügig nach oben oder unten bewegt.
15. Vergewissern Sie sich vor dem Einschalten des Werkzeugs, dass das Sägeblatt nicht das Werkstück berührt.
16. Lassen Sie das Werkzeug vor dem eigentlichen Schneiden eines Werkstücks eine Weile laufen. Achten Sie auf Vibrationen oder Taumelbewegungen, die Anzeichen für schlechte Montage oder ein schlecht ausgewuchtetes Sägeblatt sein können.
17. Brechen Sie sofort den Betrieb ab, wenn Sie irgend etwas Ungewöhnliches bemerken.
18. Versuchen Sie nicht, den Auslöser in der EIN-Stellung zu verriegeln.
19. Verwenden Sie stets das in dieser Anleitung empfohlene Zubehör. Der Gebrauch ungeeigneten Zubehörs, wie z. B. Schleifscheiben, kann Verletzungen zur Folge haben.
20. Manche Materialien können giftige Chemikalien enthalten. Treffen Sie Vorsichtsmaßnahmen, um das Einatmen von Arbeitsstaub und Hautkontakt zu verhindern. Befolgen Sie die Sicherheitsdaten des Materialherstellers.

#### Zusätzliche Sicherheitsregeln für den Laser

1. **LASERSTRAHLUNG. NICHT IN DEN STRAHL BLICKEN ODER DIREKT MIT OPTISCHEN INSTRUMENTEN BETRACHTEN. LASERPRODUKT DER KLASSE 2M.**

## DIESE ANWEISUNGEN AUFBEWAHREN.

**⚠️ WARNUNG:** Lassen Sie sich NICHT durch Bequemlichkeit oder Vertrautheit mit dem Produkt (durch wiederholten Gebrauch erworben) von der strikten Einhaltung der Sicherheitsregeln für das vorliegende Produkt abhalten. MISSBRAUCH oder Missachtung der Sicherheitsvorschriften in dieser Anleitung können schwere Personenschäden verursachen.

## INSTALLATION

### Werkbankaufstellung

Bei Versand wird der Handgriff werkseitig mit dem Griffriegel in der unteren Position verriegelt. Lösen Sie den Griffriegel, indem Sie den Griff leicht nach unten drücken und den Griffriegel in die Freigabeposition drehen.

► **Abb.2:** 1. Griffriegel

Dieses Werkzeug ist mit vier Schrauben durch die Schraubenbohrungen im Gleitschuh des Werkzeugs auf einer waagerechten und stabilen Oberfläche zu montieren. So verhindern Sie ein Umkippen und mögliche Verletzungen.

► **Abb.3:** 1. Bolzen

## FUNKTIONSBESCHREIBUNG

### **VORSICHT:**

- Überzeugen Sie sich immer vor dem Einstellen des Werkzeugs oder der Kontrolle seiner Funktion, dass es abgeschaltet und der Stecker aus der Dose gezogen ist.

## Blattschutz

### ► **Abb.4:** 1. Blattschutz

Wird der Handgriff abgesenkt, hebt sich der Blattschutz automatisch. Der Blattschutz ist mit einer Sprungfeder versehen und kehrt daher in seine Ausgangsstellung zurück, wenn der Schnitt vollendet ist und der Handgriff angehoben wird. **ENTFERNEN SIE NIEMALS DEN BLATTSCHUTZ ODER DIE FEDER, DIE MIT DEM SCHUTZ VERBUNDEN IST, UND MACHEN SIE SIE NICHT UNWIRKSAM.**

Im Interesse Ihrer eigenen Sicherheit sollten Sie den Blattschutz stets in ordnungsgemäßem Zustand halten. Etwaige Mängel des Blattschutzes müssen unverzüglich behoben werden. Überprüfen Sie, dass der Schutz durch die Sprungfeder ordnungsgemäß in seine Position zurückkehrt. **VERWENDEN SIE DAS WERKZEUG NIEMALS, WENN DER BLATTSCHUTZ ODER DIE FEDER BESCHÄDIGT ODER DEFEKT SIND ODER ENTFERNT WURDEN. ANDERNFALLS IST DIE VERWENDUNG ÄUSSERST GEFÄHRLICH UND KANN SCHWERE PERSONENSCHÄDEN VERURSACHEN.** Wenn der transparente Blattschutz schmutzig wird oder soviel Sägemehl an ihm haftet, dass das Sägeblatt nicht mehr ohne weiteres sichtbar ist, sollten Sie den Netzstecker der Säge ziehen und den Blattschutz mit einem feuchten Tuch sorgfältig reinigen. Verwenden Sie keine Lösungsmittel oder Reinigungsmittel auf Petroleumbasis zum Reinigen der Blattschutzes. Wenn der Blattschutz stark verschmutzt ist und eine Sicht durch den Schutz nicht mehr möglich ist, verwenden Sie den mitgelieferten Steckschlüssel, um die Sechskantschraube zu lösen, mit der die Mittenabdeckung befestigt ist. Lösen Sie die Sechskantschraube, indem Sie sie gegen den Uhrzeigersinn drehen und heben Sie den Blattschutz und die Mittenabdeckung an. In dieser Position kann der Blattschutz umfassender und effizienter gereinigt werden. Wenn die Reinigung abgeschlossen ist, führen Sie die oben beschriebenen Schritte in umgekehrter Reihenfolge durch und sichern Sie die Schraube wieder. Entfernen Sie nicht die Feder, die den Blattschutz hält. Wenn sich der Blattschutz mit der Zeit oder durch Sonneneinstrahlung verfärbt, wenden Sie sich an ein Makita-Servicecenter, um einen neuen Blattschutz zu erhalten. **ENTFERNEN SIE DEN SCHUTZ NICHT UND MACHEN SIE IHN NICHT UNWIRKSAM.**

### ► **Abb.5:** 1. Blattschutz

## Schlitzplatte

### ► **Abb.6:** 1. Drehteller 2. Schlitzplatte

Dieses Werkzeug ist mit einer Schlitzplatte im Drehteller versehen, um ein Zersplittern an der Außenseite eines Schnittes zu minimieren. Wenn die Schlitzkerbe noch nicht werkseitig in die Schlitzplatte gesägt wurde, sollten Sie die Kerbe schneiden, bevor Sie das Werkzeug zum Schneiden eines Werkstücks verwenden. Schalten Sie das Werkzeug ein und senken Sie das Sägeblatt vorsichtig ab, um eine Kerbe in die Schlitzplatte zu sägen.

## Beibehaltung der maximalen Schnittleistung

- **Abb.7:** 1. Getriebegehäuse 2. Sechskantmutter 3. Einstellschraube
- **Abb.8:** 1. Drehteller-Oberfläche 2. Sägeblattumfang 3. Gehrungsanschlag

Dieses Werkzeug ist werkseitig so eingestellt, dass die maximale Schnittleistung mit einem 355-mm-Sägeblatt erreicht wird. Überprüfen Sie beim Anbringen eines neuen Sägeblatts den unteren Sägeblattanschlag und passen Sie ihn bei Bedarf wie folgt an:

Trennen Sie zunächst das Werkzeug von der Stromversorgung. Senken Sie den Handgriff völlig ab. Lösen Sie die Sechskantmutter an der Rückseite des Getriebegehäuses. Drehen Sie die Einstellschraube mit einem Schraubendreher, bis der Sägeblattumfang am Berührungspunkt von Gehrungsanschlag-Vorderseite und Drehteller-Oberfläche geringfügig unterhalb der Drehteller-Oberfläche liegt.

Drehen Sie das Sägeblatt bei abgezogenem Netzstecker von Hand, während Sie den Handgriff in der Tiefstellung halten, um sicherzugehen, dass das Sägeblatt keinen Teil des Auflagetisches berührt. Bei Bedarf ist eine Nachjustierung vorzunehmen. Ziehen Sie die Sechskantmutter nach dem Einstellen mit dem Schraubenschlüssel fest, während Sie die Einstellschraube gleichzeitig mit einem Schraubendreher in Position halten.

Überprüfen Sie zu diesem Zeitpunkt, dass der Griff durch Drehen des Griffriegels in der unteren Position verriegelt werden kann. Falls der Griff so nicht verriegelt werden kann, drehen Sie die Einstellschraube so, dass der Griff in der unteren Position verriegelt werden kann.

### **VORSICHT:**

- Vergewissern Sie sich nach der Montage eines neuen Sägeblatts stets, dass das Sägeblatt in der Tiefstellung des Handgriffs keinen Teil des Auflagetisches berührt. Nehmen Sie diese Überprüfung stets bei abgezogenem Netzstecker vor.

## Einstellung des Gehrungswinkels

- **Abb.9:** 1. Zeiger 2. Blockierungshebel 3. Gehrungsskala 4. Griff

Lösen Sie den Griff durch Drehung gegen den Uhrzeigersinn. Drehen Sie den Drehteller, während Sie den Arretierhebel niederdrücken. Bewegen Sie den Griff, bis der Zeiger auf den gewünschten Winkel der Gehrungswinkelskala zeigt, und ziehen Sie dann den Griff durch Drehung im Uhrzeigersinn fest.

### **VORSICHT:**

- Bringen Sie den Handgriff in die Hochstellung, bevor Sie den Drehteller drehen.
- Sichern Sie den Drehteller nach jeder Änderung des Gehrungswinkels stets durch Anziehen des Griffs gegen Verdrehen.

## Anschlagplatte

Die Anschlagplatte soll verhindern, dass kleinere Schnittabfälle im Sägeblattgehäuse verklemmen. Die Anschlagplatte bewegt sich automatisch mit dem Drehen des Drehtellers nach links oder rechts.



## Einschalten

### **⚠ VORSICHT:**

- Achten Sie vor dem Einstecken des Netzsteckers des Werkzeugs in die Steckdose darauf, dass sich der Ein/Aus-Schalter korrekt bedienen lässt und beim Loslassen in die Position "OFF" (AUS) zurückkehrt.

### **⚠ WARNUNG:**

- Verwenden Sie das Werkzeug NIEMALS ohne eine voll funktionstüchtigen Auslöseschalter. Jedes Werkzeug mit einem nicht funktionierenden Auslöseschalter ist HÖCHST GEFÄHRLICH und muss vor dem weiteren Gebrauch repariert werden.

## Für Werkzeug mit Einschaltsperrknopf

► **Abb.10:** 1. Entsperrungstaste 2. Griffschalter

### **⚠ VORSICHT:**

- Wenn Sie das Werkzeug nicht benutzen, entfernen Sie den Einschaltsperrknopf, und bewahren Sie ihn an einem sicheren Ort auf. Dadurch wird unbefugter Betrieb verhindert.
- Betätigen Sie den Auslöseschalter nicht gewaltsam, ohne den Einschaltsperrknopf hineinzudrücken. Dies kann zu Beschädigung des Schalters führen.

Um versehentliche Betätigung des Auslöseschalters zu verhüten, ist das Werkzeug mit einem Einschaltsperrknopf ausgestattet. Betätigen Sie zum Starten des Werkzeugs den Auslöseschalter bei gedrücktem Einschaltsperrknopf. Lassen Sie zum Ausschalten den Auslöseschalter los.

### **⚠ WARNUNG:**

- Aus Sicherheitsgründen ist dieses Werkzeug mit einem Einschaltsperrknopf ausgestattet, die versehentliches Einschalten des Werkzeugs verhindert. Betreiben Sie das Werkzeug NIEMALS, wenn es durch bloße Betätigung des Ein-Aus-Schalters eingeschaltet werden kann, ohne den Einschaltsperrknopf zu drücken. Lassen Sie das Werkzeug von einer Makita-Kundendienststelle ordnungsgemäß reparieren, BEVOR Sie es weiter benutzen.
- Der Einschaltsperrknopf darf NIEMALS festgeklebt oder funktionsunfähig gemacht werden.

## Werkzeug ohne Entsperrungstaste

► **Abb.11:** 1. Griffschalter

Schalten Sie das Werkzeug ein und warten Sie, bis das Sägeblatt die volle Drehzahl erreicht hat. Senken Sie anschließend das Sägeblatt langsam in den Schnitt.

Betätigen Sie zum Starten des Werkzeugs einfach den Auslöseschalter. Lassen Sie zum Ausschalten des Werkzeugs den Auslöseschalter los.

## MONTAGE

### **⚠ VORSICHT:**

- Ehe Sie am Werkzeug irgendwelche Arbeiten beginnen, überzeugen Sie sich immer vorher, dass es abgeschaltet und der Stecker aus der Dose gezogen ist.

## Montage und Demontage des Sägeblatts

### **⚠ VORSICHT:**

- Schalten Sie das Werkzeug aus und ziehen Sie den Stecker, bevor Sie das Sägeblatt einsetzen oder entfernen.
- Verwenden Sie nur den mitgelieferten Sechskantschlüssel von Makita zum Demontieren oder Montieren des Sägeblatts. Andernfalls besteht die Gefahr, dass die Sechskantschraube zu stark oder zu schwach angezogen wird. Dies kann zu Verletzungen führen.

## Demontieren des Sägeblatts

Zum Demontieren des Sägeblatts lösen Sie zunächst die Sechskantschraube, mit der die Mittenabdeckung befestigt ist, durch Drehung gegen den Uhrzeigersinn mit dem Steckschlüssel. Dann heben Sie Blattschutz und Mittenabdeckung an.

► **Abb.12:** 1. Steckschlüssel

Verriegeln Sie die Spindel durch Drücken der Spindelarreterierung, und lösen Sie die Sechskantschraube durch Drehung des Steckschlüssels entgegen dem Uhrzeigersinn. Entfernen Sie dann Sechskantschraube, Außenflansch und Sägeblatt.

► **Abb.13:** 1. Spindelarreterierung

► **Abb.14:** 1. Steckschlüssel

## Montieren des Sägeblatts

Zum Montieren schieben Sie das Sägeblatt vorsichtig auf die Spindel; achten Sie dabei darauf, dass der Pfeil auf dem Sägeblatt in dieselbe Richtung zeigt wie der Pfeil auf dem Sägeblattgehäuse. Bringen Sie Außenflansch und Sechskantschraube an, und ziehen Sie dann die Sechskantschraube bei gedrückter Spindelarreterierung durch Drehung des Schraubenschlüssels im Uhrzeigersinn fest.

► **Abb.15:** 1. Sägeblattgehäuse 2. Pfeil 3. Sägeblatt 4. Pfeil

### **Für andere Typen außer dem Europa-Typ**

► **Abb.16:** 1. Spindel 2. Innenflansch 3. Sägeblatt 4. Außenflansch 5. Sechskantschraube 6. 25,4 mm-Markierung

### **⚠ VORSICHT:**

- **Der Innenflansch hat einen Durchmesser von 25 mm auf der einen Seite und 25,4 mm auf der anderen. Die Seite mit 25,4 mm Durchmesser ist mit "25,4" markiert. Verwenden Sie die richtige Seite für den Lochdurchmesser des Blattes, das Sie verwenden möchten.** Das Anbringen des Blattes auf der falschen Seite kann zu gefährlichen Vibrationen führen.

## Für Europa-Typ

- **Abb.17:** 1. Spindel 2. Innenflansch 3. Sägeblatt  
4. Außenflansch 5. Sechskantschraube

### ⚠ **VORSICHT:**

- Stellen Sie sicher, dass der Innenflansch so angebracht ist, dass die Ausbuchtung mit einem Durchmesser von 25 mm nach außen zeigt und perfekt in das 25 mm Loch des Sägeblatts passt. Das Anbringen des Blattes auf der falschen Seite kann zu gefährlichen Vibrationen führen.

## Zurückstellen der Sägeblattschutzhaube

Stecken Sie den Stift am Blattschutz in den Schlitz im Führungsarm, während Sie den Blattschutz wieder in die ursprüngliche, völlig geschlossene Position drehen. Ziehen Sie dann die Sechskantschraube zur Sicherung der mittleren Abdeckung im Uhrzeigersinn an. Senken Sie den Handgriff ab, um zu prüfen, ob sich der Blattschutz einwandfrei bewegt. Stellen Sie sicher, dass die Spindelarretierung die Spindel gelöst hat, bevor Sie einen Schnitt machen.

- **Abb.18:** 1. Stift 2. Führungsarm

## Anschließen eines Sauggeräts

Um saubere Schneidarbeiten durchzuführen, schließen Sie ein Makita-Sauggerät an.

- **Abb.19**

## Staubbeutel

- **Abb.20:** 1. Absaugstützen 2. Staubbeutel  
3. Verschluss

Der Staubbeutel ermöglicht sauberes Arbeiten und einfaches Staubsammeln. Zum Anbringen wird der Staubbeutel auf den Absaugstützen geschoben. Wenn der Staubbeutel etwa halb voll ist, sollten Sie ihn vom Werkzeug entfernen und den Verschluss herausziehen. Leeren Sie den Inhalt des Staubbeutels, und schnippen Sie leicht dagegen, damit sich Partikel lösen, die möglicherweise an der Innenseite haften und eine weitere Sammlung behindern können.

## Sicherung des Werkstücks

### ⚠ **WARNUNG:**

- Die einwandfreie Sicherung des Werkstücks mit der Schraubklemme ist äußerst wichtig. Nachlässigkeit in diesem Punkt kann zu einer Beschädigung des Werkzeugs und/oder Zerstörung des Werkstücks führen. ES BESTEHT VERLETZUNGSGEFAHR. Außerdem sollte das Sägeblatt nach erfolgtem Schnitt erst nach völligem Stillstand angehoben werden.

### ⚠ **VORSICHT:**

- Lange Werkstücke müssen stets auf Höhe der Drehteller-Oberfläche abgestützt werden. Verlassen Sie sich nicht nur auf die vertikale und/oder horizontale Schraubklemme, um das Werkstück zu sichern. Dünnes Material kann absinken. Stützen Sie Werkstücke über die gesamte Länge ab, um zu verhindern, dass das Sägeblatt eingeklemmt wird und ZURÜCKSCHLÄGT.

- **Abb.21:** 1. Halterung 2. Drehteller

## Horizontal-Schraubklemme (optionales Zubehör)

- **Abb.22:** 1. Projektion 2. Schraubklemmenknopf

Die Horizontal-Schraubklemme kann auf der linken oder der rechten Seite des Gleitschuhs befestigt werden. Bei Gehrungsschnitten von 15° oder mehr bringen Sie die Horizontal-Schraubklemme auf der anderen Seite als der an, in die der Drehteller gedreht wird. Wenn Sie den Schraubklemmenknopf gegen den Uhrzeigersinn drehen, wird die Schraube gelöst, und der Schraubklemmenknopf kann schnell hinein- und herausbewegt werden. Durch Drehen des Schraubklemmenknopfes im Uhrzeigersinn bleibt die Schraube gesichert. Um das Werkstück zu greifen, drehen Sie den Schraubklemmenknopf im Uhrzeigersinn, bis der Vorsprung die oberste Position erreicht, und ziehen ihn dann fest an. Wenn der Schraubklemmenknopf während des Drehens im Uhrzeigersinn hineingedrückt oder herausgezogen wird, kann der Vorsprung in einem Winkel angehalten werden. Drehen Sie in diesem Fall den Schraubklemmenknopf zurück gegen den Uhrzeigersinn, bis die Schraube gelöst wird, bevor Sie ihn vorsichtig wieder im Uhrzeigersinn drehen.

### ⚠ **VORSICHT:**

- Greifen Sie das Werkstück nur, wenn sich der Vorsprung in der obersten Position befindet. Andernfalls kann das Werkstück nicht genug gesichert werden. Das Werkstück kann hierdurch abgeworfen werden, das Blatt beschädigen oder zu einem Kontrollverlust führen, der in VERLETZUNGEN enden kann.

## Vertikal-Schraubklemme (optionales Zubehör)

- **Abb.23:** 1. Stehbolzen 2. Schraube  
3. Gehrungsanschlag  
4. Schraubklemmenknopf  
5. Schraubklemmenarm
- **Abb.24:** 1. Stehbolzen 2. Schraube  
3. Schraubklemmenknopf  
4. Schraubklemmenarm  
5. Gehrungsanschlag

Die Vertikal-Schraubklemme kann entweder auf der linken oder auf der rechten Seite des Gehrungsanschlags montiert werden. Setzen Sie den Stehbolzen in die Bohrung des Gehrungsanschlags ein, und sichern Sie den Stehbolzen durch Festziehen der Schraube. Stellen Sie den Schraubklemmenarm auf die Abmessungen des Werkstücks ein, und sichern Sie ihn durch Anziehen der Schraube. Wenn die Schraube zur Sicherung des Schraubklemmenarms den Gehrungsanschlag berührt, bringen Sie sie auf der anderen Seite des Schraubklemmenarms an. Vergewissern Sie sich, dass keine Werkzeugteile mit der Schraubklemme in Berührung kommen, wenn der Handgriff ganz abgesenkt wird. Falls irgendwelche Teile mit der Schraubklemme in Berührung kommen, ist die Schraubklemme zu versetzen. Drücken Sie das Werkstück flach gegen Gehrungsanschlag und Drehteller. Bringen Sie das Werkstück in die gewünschte Schnittposition, und sichern Sie es einwandfrei durch Anziehen des Schraubklemmenknopfes.

### **⚠ VORSICHT:**

- Das Werkstück muss bei allen Arbeiten festgespannt werden und am Gehrungsanschlag sowie am Drehteller anliegen.

## Anbringen der Halterungen (Sonderzubehör)

### ► Abb.25: 1. Halterung 2. Schraube

Bringen Sie die Halterungen an beiden Seiten der Grundplatte an und befestigen Sie die Halterungen mittels Schrauben.

## ARBEIT

### **⚠ VORSICHT:**

- Achten Sie vor der Verwendung darauf, dass der Handgriff aus der abgesenkten Position gelöst wird, indem Sie den Griffriegel in die Freigabeposition drehen.
- Achten Sie vor dem Einschalten des Werkzeugs darauf, dass das Sägeblatt das Werkstück usw. nicht berührt.
- Üben Sie beim Schneiden keinen übermäßigen Druck auf den Handgriff aus. Zu starker Druck kann zu Überlastung des Motors und/oder verminderter Schnittleistung führen. Drücken Sie den Griff nur mit soviel Kraft nach unten, wie für einen sauberen Schnitt notwendig ist und ohne dass die Geschwindigkeit des Sägeblatts deutlich verringert wird.
- Drücken Sie den Griff vorsichtig nach unten, um den Schnitt auszuführen. Wenn der Griff mit Gewalt nach unten gedrückt wird oder wenn seitliche Kräfte darauf einwirken, vibriert das Sägeblatt und hinterlässt eine Riefe (Sägeriefe) im Werkstück, wodurch die Genauigkeit des Schnitts beeinflusst wird.

## Kappschnitt

### ► Abb.26

Sichern Sie das Werkstück mit der Schraubklemme. Schalten Sie das Werkzeug ein, ohne dass das Sägeblatt Kontakt hat, und warten Sie, bis das Sägeblatt seine volle Drehzahl erreicht, bevor Sie es absenken. Senken Sie dann den Handgriff sanft bis zur Tiefstellung ab, um das Werkstück zu schneiden. Sobald der Schnitt beendet ist, schalten Sie das Werkzeug aus und WARTEN, BIS DAS SÄGEBLATT ZUM VÖLLIGEN STILLSTAND GEKOMMEN IST, bevor Sie das Blatt wieder ganz anheben.

## Gehrungsschnitt

Nehmen Sie auf den vorhergehenden Abschnitt „Einstellen des Gehrungswinkels“ Bezug.

## Schneiden von Aluminiumprofilen

- **Abb.27:** 1. Horizontal-Schraubklemme  
2. Abstandsblock 3. Aluminiumprofil  
4. Gehrungsanschlag

Zur Sicherung von Aluminiumprofilen verwenden Sie - wie in der Abbildung gezeigt - Abstandsblöcke oder Zulagen aus Hartholz, um Verformungen des Materials während des Schneidevorgangs zu vermeiden. Benutzen Sie beim Schneiden von dünnwandigen Aluminiumprofilen eine Schneidflüssigkeit, damit sich keine Aluminium-Rückstände am Sägeblatt ansammeln.

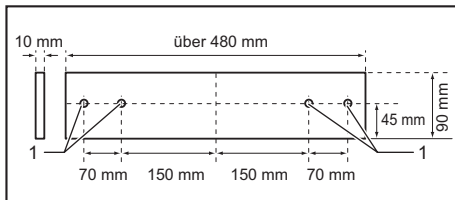
### **⚠ VORSICHT:**

- Vollmaterialien mit großem Querschnitt und Rundmaterial dürfen nicht bearbeitet werden. Beim Sägevorgang kann sich dickes Material lösen und Rundmaterial kann mit diesem Werkzeug nicht sicher befestigt werden.

## Zwischenbrett

- **Abb.28:** 1. Gehrungsanschlag 2. Holzblende

Durch das Benutzen eines Zwischenbretts können Sie die Werkstücke ausrissfrei sägen. Die Bohrungen im Gehrungsanschlag dienen als Befestigungshilfe für ein Zwischenbrett. Hinweise für ein Zwischenbrett entnehmen Sie der Abbildung der Abmessungen.



### 1. Loch

### **⚠ VORSICHT:**

- Benutzen Sie glatt gehobeltes Holz gleichmäßiger Dicke als Zwischenbrett.
- Verwenden Sie Schrauben, um das Holz auf der Seite des Gehrungsanschlags anzubringen. Die Schrauben sollten so angebracht werden, dass die Schraubenköpfe in der Oberfläche des Zwischenbretts versenkt sind.
- Wenn das Zwischenbrett angebracht ist, drehen Sie den Drehteller nicht, wenn der Griff abgesenkt ist. Das Sägeblatt und/oder das Zwischenbrett können sonst beschädigt werden.

### **HINWEIS:**

- Wenn die Holzblende angebracht wurde, werden die maximalen Schnittleistungen in der Breite um die Dicke der Holzblende vermindert.

## Wiederholtes Schneiden auf gleiche Länge

### ► **Abb.29:** 1. Feststellplatte 2. Halterung 3. Schraube

Wenn Sie mehrere Werkstücke innerhalb des Bereichs von 300 mm bis 400 mm auf die gleiche Länge schneiden, wird die Verwendung der Anschlagplatte (optionales Zubehör) empfohlen, um rationeller zu arbeiten. Montieren Sie die Anschlagplatte an der Halterung (optionales Zubehör), wie in der Abbildung gezeigt. Richten Sie die Schnittlinie des Werkstücks entweder auf die linke oder rechte Kante der Nut in der Schlitzplatte aus, und schieben Sie die Anschlagplatte bündig gegen das Ende des Werkstücks, während Sie das Werkstück am Verrutschen hindern. Sichern Sie dann die Anschlagplatte mit der Flügelschraube. Wenn Sie die Anschlagplatte nicht benutzen, lösen Sie die Flügelschraube, um die Anschlagplatte zur Seite zu schieben.

#### **HINWEIS:**

- Der Halterungsstangensatz (optionales Zubehör) ermöglicht wiederholte Schnitte auf gleiche Länge von bis zu etwa 2.200 mm.

## Transport des Werkzeugs

### ► **Abb.30:** 1. Griffriegel

Vergewissern Sie sich, dass das Werkzeug von der Stromversorgung abgetrennt ist. Sichern Sie den Drehteller am rechten Gehrungswinkel mittels Griff. Senken Sie den Griff vollständig und sichern Sie ihn in der abgesenkten Position, indem Sie den Griffriegel in die Verriegelungsposition drehen. Halten Sie das Werkzeug zum Tragen an beiden Seiten des Gleitschuhs, wie in der Abbildung gezeigt. Wenn Sie Halterungen, den Staubbeutel usw. entfernen, können Sie das Werkzeug leichter tragen.

### ► **Abb.31**

#### **⚠ VORSICHT:**

- Sichern Sie immer alle beweglichen Teile, bevor Sie das Werkzeug transportieren.
- Der Griffriegel dient nur zum Tragen und Lagern und ist nicht für den Schneidebetrieb gedacht.

## WARTUNG

#### **⚠ VORSICHT:**

- Bevor Sie mit der Kontrolle oder Wartung des Werkzeugs beginnen, überzeugen Sie sich immer, dass es ausgeschaltet und der Stecker aus der Steckdose herausgezogen ist.
- Verwenden Sie zum Reinigen niemals Kraftstoffe, Benzin, Verdünnern, Alkohol oder ähnliches. Dies kann zu Verfärbungen, Verformungen oder Rissen führen.

#### **⚠ WARNUNG:**

- Achten Sie für die beste und sicherste Leistung darauf, dass das Sägeblatt immer scharf und sauber ist.

## Einstellung des Schnittwinkels

Dieses Werkzeug wurde im Werk sorgfältig eingestellt und justiert. Die Einstellungen können jedoch durch Transporteinflüsse oder unsachgemäße Behandlung beeinträchtigt worden sein. Sollte Ihr Werkzeug einer Nachjustierung bedürfen, gehen Sie folgendermaßen vor:

### ► **Abb.32:** 1. Sechskantschraube

Lösen Sie den Spanngriff, mit dem der Drehteller gesichert wird. Drehen Sie dann den Drehteller, sodass der Zeiger auf 0° auf der Gehrungswinkelskala zeigt. Drehen Sie dann den Drehteller leicht im und gegen den Uhrzeigersinn, so dass er auf die 0°-Gehrungskerbe zeigt. (Lassen Sie ihn so, wie er ist, wenn der Zeiger nicht auf 0° deutet.) Lösen Sie die Sechskantschrauben, die den Gehrungsanschlag halten, mit dem Steckschlüssel. Senken Sie den Griff vollständig und sichern Sie ihn in der abgesenkten Position, indem Sie den Griffriegel in die Verriegelungsposition drehen. Bringen Sie die Seitenfläche des Sägeblatts mit Hilfe eines Einstelldreiecks, Anschlagwinkels usw. in den rechten Winkel zur Fläche des Gehrungsanschlags. Ziehen Sie dann die Sechskantschrauben des Gehrungsanschlags von rechts der Reihe nach fest.

### ► **Abb.33:** 1. Gehrungsanschlag 2. Einstelldreieck

Vergewissern Sie sich, dass der Zeiger auf der Markierungsplatte auf 0° auf der Gehrungswinkelskala zeigt. Wenn der Zeiger nicht auf 0° zeigt, lösen Sie die Schraube, die die Markierungsplatte sichert, und stellen Sie den Zeiger auf 0° ein.

### ► **Abb.34:** 1. Zeiger 2. Schrauben 3. Gehrungsskala

## Einstellung für weiche Griffbewegung

### ► **Abb.35:** 1. Getriebegehäuse 2. Sechskant-Befestigungsmutter 3. Arm

Die Sechskant-Sicherungsmutter, die das Getriebegehäuse und den Arm hält, wurde werkseitig so eingestellt, dass der Griff leicht nach oben und unten bewegt werden kann und ein Präzisionsschnitt garantiert wird. Ändern Sie die Einstellung nicht willkürlich. Sollte sich die Verbindung zwischen Getriebegehäuse und Arm lösen, nehmen Sie die folgende Anpassung vor. Bewegen Sie den Griff nach oben und unten, während Sie die Sechskant-Sicherungsmutter festziehen; die beste Position zum Festziehen der Sechskant-Sicherungsmutter ist direkt bevor das Gewicht des Motorkörpers spürbar wird.

Prüfen Sie nach dem Einstellen der Sechskant-Sicherungsmutter, dass der Griff aus jeder Position automatisch in ursprüngliche, abgesenkte Position zurückkehrt. Falls die Sechskant-Sicherungsmutter zu lose ist, wird die Schnittgenauigkeit negativ beeinflusst; falls die Mutter zu fest ist, kann der Griff schwer nach oben und unten bewegt werden. Beachten Sie, dass dies eine selbstsichernde Mutter ist. Dieser spezielle Typ löst sich bei normaler Verwendung nicht. Diese Mutter darf nicht zu stark angezogen oder durch andere Muttern ersetzt werden.

## Kohlenwechsel

### ► **Abb.36:** 1. Grenzmarke

Nehmen Sie die Kohlen regelmäßig heraus und wechseln Sie sie. Wenn sie bis zur Grenzmarke verbraucht sind, müssen sie ausgewechselt werden. Die Kohlen müssen sauber sein und locker in ihre Halter hineinfallen. Die beiden Kohlen müssen gleichzeitig ausgewechselt werden. Verwenden Sie ausschließlich gleiche Kohlen.

Schrauben Sie mit einem Schraubenzieher den Kohlenhalterdeckel ab. Wechseln Sie die verschlissenen Kohlen, legen Sie neue ein und schrauben Sie den Deckel wieder auf.

### ► **Abb.37:** 1. Schraubendreher 2. Kohlenhalterdeckel

## Nach der Verwendung

- Wischen Sie nach der Verwendung Splitter und Staub, die am Werkzeug haften, mit einem Tuch oder etwas ähnlichem ab. Halten Sie den Blattschutz entsprechend den Hinweisen im vorhergehenden Abschnitt "Blattschutz" sauber. Schmieren Sie die gleitenden Teile mit Werkzeugöl ein, um ein Rosten zu verhindern.

Zur Aufrechterhaltung der SICHERHEIT und ZUVERLÄSSIGKEIT des Produkts müssen die Reparaturen und alle Wartungen und Einstellungen von den autorisierten Servicestellen der Firma Makita und unter Verwendung der Ersatzteile von Makita durchgeführt werden.

## SONDERZUBEHÖR

**⚠️ WARNUNG:** Die folgenden Makita-Zubehörteile oder Vorrichtungen werden für den Einsatz mit dem in dieser Anleitung beschriebenen Makita-Werkzeug empfohlen. Der Gebrauch anderer Zubehörteile oder Vorrichtungen kann zu schweren Personenschäden führen.

**⚠️ WARNUNG:** Verwenden Sie die Makita-Zubehörteile oder -Vorrichtungen nur für ihren vorgesehenen Zweck. Fehlgbrauch eines Zubehörteils oder einer Vorrichtung kann zu schweren Verletzungen führen.

Wenn Sie nähere Informationen bezüglich dieses Zubehörs benötigen, wenden Sie sich bitte an Ihre örtliche Servicestelle der Firma Makita.

- Sägeblätter mit Hartmetallspitzen (Besuchen Sie unsere Website, oder wenden Sie sich an Ihren Makita-Händler vor Ort, um zu erfahren, welche Sägeblätter für das zu schneidende Material korrekt sind.)
- Steckschlüssel
- Halterungsset
- Feststellplatte
- Staubbeutel
- Einstellendreieck
- Schraubklemmensatz (Horizontal-Schraubklemme)
- Schraubklemmensatz (Vertikal-Schraubklemme)
- Entsperrungstaste (2 St.)

### HINWEIS:

- Einige der in der Liste aufgeführten Elemente sind dem Werkzeugpaket als Standardzubehör beigelegt. Diese können in den einzelnen Ländern voneinander abweichen.

## DATI TECNICI

Modello	LS1440	
Diametro lama	355 mm	
Diametro foro	Per nazioni diverse da quelle europee	25 mm o 25,4 mm (specifico in base alla nazione)
	Per le nazioni europee	25 mm
Spessore max. di taglio della lama	3,4 mm	
Angolo di taglio obliquo max.	45° a sinistra, 45° a destra	
Velocità senza carico	3.900 min <sup>-1</sup>	
Dimensioni (L x P x A)	596 mm x 550 mm x 630 mm	
Peso netto	33,1 kg	
Classe di sicurezza	□/II	







- In conseguenza del nostro programma di ricerca e sviluppo continui, i dati tecnici nel presente manuale sono soggetti a modifiche senza preavviso.
- I dati tecnici possono variare da nazione a nazione.
- Peso in base alla procedura EPTA 01/2014

### Capacità massime di taglio (A x P)

Angolo di taglio obliquo	
0°	45° (a sinistra e a destra)
122 mm x 152 mm	122 mm x 115 mm

### Simboli

La figura seguente mostra i simboli utilizzati per l'apparecchio. Accertarsi di comprendere il loro significato prima dell'uso.

	Leggere il manuale d'uso.
	DOPPIO ISOLAMENTO
	Per evitare lesioni personali causate da frammenti volanti, dopo aver effettuato dei tagli, mantenere la testa della sega rivolta verso il basso fino all'arresto completo della lama.
	Non posizionare la mano o le dita in prossimità della lama.
	Per la sicurezza dell'utente, prima di utilizzare l'utensile, rimuovere dalla superficie superiore del tavolo trucioli, pezzetti di materiale, e così via.
	Solo per le nazioni della UE Non smaltire gli apparecchi elettrici insieme ai rifiuti domestici! In conformità alla Direttiva Europea sui rifiuti di apparecchiature elettriche ed elettroniche (RAEE), e alla sua implementazione in base alla legge nazionale, gli apparecchi elettrici che hanno raggiunto la fine della loro vita utile devono essere sottoposti a raccolta differenziata e conferiti a una struttura di riciclaggio ecocompatibile.

### Utilizzo previsto

Questo utensile va utilizzato per eseguire tagli di precisione diritti e inclinati del legno. Con le lame appropriate, è possibile segare anche l'alluminio.

### Alimentazione

L'utensile deve essere collegato a una fonte di alimentazione con la stessa tensione indicata sulla targhetta del nome, e può funzionare solo a corrente alternata monofase. L'utensile è dotato di doppio isolamento, per cui può essere utilizzato con prese elettriche sprovviste di messa a terra.

### Per i sistemi di distribuzione della rete elettrica pubblica a bassa tensione da 220 V a 250 V

Le operazioni di accensione e spegnimento degli apparecchi elettrici causano fluttuazioni di tensione. L'utilizzo di questo dispositivo in condizioni inadatte della rete elettrica potrebbe produrre effetti negativi sul funzionamento di altri apparecchi. Con un'impedenza delle rete elettrica pari o inferiore a 0,39 ohm, si può presumere che non si verifichino effetti negativi. La presa elettrica di rete utilizzata per questo dispositivo deve essere protetta da un fusibile o da un interruttore automatico di protezione a bassa velocità di intervento.

### Rumore

Livello tipico di rumore pesato A determinato in base allo standard EN62841-3-9:

Livello di pressione sonora ( $L_{pA}$ ): 94 dB (A)

Livello di potenza sonora ( $L_{WA}$ ): 105 dB (A)

Incertezza (K): 3 dB (A)



**NOTA:** Il valore o i valori dichiarati delle emissioni di rumori sono stati misurati in conformità a un metodo standard di verifica, e possono essere utilizzati per confrontare un utensile con un altro.

**NOTA:** Il valore o i valori dichiarati delle emissioni di rumori possono venire utilizzati anche per una valutazione preliminare dell'esposizione.

**⚠AVVERTIMENTO:** Indossare protezioni per le orecchie.

**⚠AVVERTIMENTO:** L'emissione di rumori durante l'utilizzo effettivo dell'utensile elettrico può variare rispetto al valore o ai valori dichiarati, a seconda dei modi in cui viene utilizzato l'utensile e specialmente a seconda di che tipo di pezzo venga lavorato.

**⚠AVVERTIMENTO:** Accertarsi di identificare misure di sicurezza per la protezione dell'operatore che siano basate su una stima dell'esposizione nelle condizioni effettive di utilizzo (tenendo conto di tutte le parti del ciclo operativo, ad esempio del numero di spegnimenti dell'utensile e di quando giri a vuoto, oltre al tempo di attivazione).

## Vibrazioni

Valore totale delle vibrazioni (somma vettoriale triassiale) determinato in base allo standard EN62841-3-9: Emissione di vibrazioni ( $a_h$ ): 2,5  $m/s^2$   
Incertezza (K): 1,5  $m/s^2$

**NOTA:** Il valore o i valori complessivi delle vibrazioni dichiarati sono stati misurati in conformità a un metodo standard di verifica, e possono essere utilizzati per confrontare un utensile con un altro.

**NOTA:** Il valore o i valori complessivi delle vibrazioni dichiarati possono venire utilizzati anche per una valutazione preliminare dell'esposizione.

**⚠AVVERTIMENTO:** L'emissione delle vibrazioni durante l'utilizzo effettivo dell'utensile elettrico può variare rispetto al valore o ai valori dichiarati, a seconda dei modi in cui viene utilizzato l'utensile, specialmente a seconda di che tipo di pezzo venga lavorato.

**⚠AVVERTIMENTO:** Accertarsi di identificare misure di sicurezza per la protezione dell'operatore che siano basate su una stima dell'esposizione nelle condizioni effettive di utilizzo (tenendo conto di tutte le parti del ciclo operativo, ad esempio del numero di spegnimenti dell'utensile e di quando giri a vuoto, oltre al tempo di attivazione).

## Dichiarazione di conformità CE

### *Solo per i paesi europei*

La dichiarazione di conformità CE è inclusa nell'Allegato A al presente manuale di istruzioni.

## Avvertenze generali relative alla sicurezza dell'utensile elettrico

**⚠AVVERTIMENTO:** Leggere tutte le avvertenze di sicurezza, le istruzioni, le illustrazioni e i dati tecnici forniti con il presente utensile elettrico. La mancata osservanza di tutte le istruzioni elencate di seguito potrebbe risultare in scosse elettriche, incendi e/o gravi lesioni personali.

## Conservare tutte le avvertenze e le istruzioni come riferimento futuro.

Il termine "utensile elettrico" nelle avvertenze si riferisce sia all'utensile elettrico (cablato) nel funzionamento alimentato da rete elettrica che all'utensile elettrico (a batteria) nel funzionamento alimentato a batteria.

## Istruzioni di sicurezza relative alle troncatrici

- 1. Le troncatrici sono destinate a tagliare legno o prodotti simili al legno, non possono essere utilizzate con mole abrasive per il taglio di materiali ferrosi quali barre, aste, montanti, e così via.** La polvere abrasiva causa l'inceppamento delle parti mobili, ad esempio della protezione inferiore. Le scintille dovute al taglio abrasivo bruciano la protezione inferiore, la placchetta di taglio e altre parti in plastica.
- 2. Utilizzare sempre delle morse per sostenere il pezzo in lavorazione, se possibile. Qualora si mantenga il pezzo in lavorazione con le mani, è necessario sempre tenere la mano ad almeno 100 mm da entrambi i lati della lama. Non utilizzare questa sega per tagliare pezzi che siano troppo piccoli per poter essere fissati saldamente con delle morse o mantenuti in mano.** Qualora si posizioni la mano troppo vicina alla lama, sussiste un maggior rischio di lesioni personali dovute al contatto con la lama.
- 3. Il pezzo in lavorazione deve essere immobile e fissato con delle morse o tenuto fermo appoggiandolo sia contro la guida che contro il tavolo. Non passare il pezzo in lavorazione nella lama né tagliarlo "a mani libere" in alcun modo.** Pezzi in lavorazione non bloccati o in movimento potrebbero venire scagliati ad alte velocità, causando lesioni personali.
- 4. Non attraversare mai con la mano la linea di taglio stabilita, né davanti né dietro la lama.** È molto pericoloso sostenere il pezzo in lavorazione "con la mano incrociata", vale a dire mantenendo il pezzo in lavorazione a destra della lama con la mano sinistra o viceversa.  
▶ Fig.1
- 5. Non allungare le mani dietro la guida a una distanza inferiore a 100 mm da entrambi i lati della lama, per rimuovere sfridi di legno o per qualsiasi altro motivo, mentre la lama sta ruotando.** La prossimità della lama in rotazione alla mano potrebbe non risultare evidente, e si potrebbero subire gravi lesioni personali.
- 6. Ispezionare il pezzo in lavorazione prima di effettuare il taglio. Qualora il pezzo in lavorazione sia curvato o distorto, fissarlo con una morsa con il lato esterno curvato rivolto verso la guida. Accertarsi sempre che non vi siano spazi tra il pezzo in lavorazione, la guida e il tavolo lungo la linea di taglio.** Pezzi in lavorazione piegati o distorti possono torcersi o spostarsi, e potrebbero causare l'inceppamento della lama in rotazione durante il taglio. Nel pezzo in lavorazione non devono essere presenti chiodi o corpi estranei.

7. **Non utilizzare la sega fino a quando il tavolo è libero da tutti gli utensili, gli sfridi di legno, e così via, tranne il pezzo in lavorazione.** Piccoli detriti o pezzi allentati di legno o altri oggetti che entrano in contatto con la lama in rotazione possono venire scagliati ad alta velocità.
  8. **Tagliare un solo pezzo in lavorazione alla volta.** Non è possibile fissare con una morsa o sopportare in modo adeguato più pezzi in lavorazione impilati, e questi ultimi potrebbero incepparsi nella lama o spostarsi durante il taglio.
  9. **Accertarsi che la troncatrice venga montata o posizionata su una superficie di lavoro piana e stabile prima dell'uso.** Una superficie di lavoro piana e stabile riduce il rischio che la troncatrice diventi instabile.
  10. **Pianificare il lavoro. Ogni volta che si cambia l'impostazione dell'angolo di taglio a unghia od obliquo, accertarsi che la guida regolabile sia impostata correttamente per sostenere il pezzo in lavorazione e che non interferisca con la lama o il sistema di protezione.** Senza accendere l'utensile e senza alcun pezzo in lavorazione sul tavolo, spostare la lama attraverso un taglio simulato completo per accertarsi che non vi siano interferenze o pericolo di tagliare la guida.
  11. **Fornire un supporto adeguato, ad esempio prolungamenti del tavolo, cavalletti per segare la legna, e così via, per un pezzo in lavorazione che sia più largo o più lungo della superficie del tavolo.** I pezzi in lavorazione più lunghi o più larghi del tavolo della troncatrice possono rovesciarsi, se non vengono supportati saldamente. Qualora il pezzo tagliato o il pezzo in lavorazione si rovesci, può sollevare la protezione inferiore o venire scagliato dalla lama in rotazione.
  12. **Non utilizzare un'altra persona come sostituto per un prolungamento del tavolo o come supporto aggiuntivo.** Il supporto instabile per il pezzo in lavorazione può causare l'inceppamento della lama o lo spostamento del pezzo in lavorazione durante l'operazione di taglio, tirando sia l'operatore che l'aiutante verso la lama in rotazione.
  13. **Il pezzo tagliato non deve venire spinto con forza né premuto in alcun modo contro la lama in rotazione.** Il pezzo tagliato, qualora sia confinato, ad esempio mediante l'uso di battute longitudinali, potrebbe incunearsi contro la lama e venire scagliato con violenza.
  14. **Utilizzare sempre una morsa o un dispositivo di fissaggio progettato per sostenere correttamente materiali tondi, quali aste o tubazioni.** Le aste tendono a rotolare mentre vengono tagliate, facendo sì che la lama "morda" e tiri il pezzo in lavorazione insieme alla mano verso la lama.
  15. **Lasciar raggiungere la massima velocità alla lama, prima di mettere quest'ultima in contatto con il pezzo in lavorazione.** In tal modo si riduce il rischio che il pezzo in lavorazione venga scagliato.
  16. **Qualora il pezzo in lavorazione o la lama si inceppino, spegnere la troncatrice. Attendere che tutte le parti mobili si arrestino, scollegare la spina dalla fonte di alimentazione, e/o rimuovere la cartuccia della batteria. Quindi, intervenire per liberare il materiale inceppato.** Qualora si continui a segare con un pezzo in lavorazione inceppato, si potrebbe causare la perdita di controllo o il danneggiamento della troncatrice.
  17. **Dopo aver terminato il taglio, rilasciare l'interruttore, mantenere la testa della sega abbassata e attendere che la lama si arresti, prima di rimuovere il pezzo tagliato.** È pericoloso allungare una mano dietro la lama che si sta arrestando.
  18. **Mantenere il manico saldamente quando si intende effettuare un taglio incompleto o quando si intende rilasciare l'interruttore prima che la testa della sega sia completamente in posizione abbassata.** L'operazione di frenatura della sega potrebbe far sì che la testa della sega venga tirata improvvisamente verso il basso, causando un rischio di lesione personale.
  19. **Utilizzare esclusivamente una lama che abbia il diametro indicato sull'utensile o specificato nel manuale.** L'uso di una lama di dimensioni errate potrebbe influire sulla corretta protezione della lama o sul funzionamento della protezione, il che potrebbe risultare in gravi lesioni personali.
  20. **Utilizzare solo lame che siano contrassegnate con una velocità pari o superiore a quella contrassegnata sull'utensile.**
  21. **Non utilizzare la sega per tagliare materiali diversi da legno, alluminio o simili.**
  22. **(Solo per le nazioni europee) Utilizzare sempre una lama conforme allo standard EN847-1.**
- Istruzioni aggiuntive**
1. **Rendere le officine a prova di bambino utilizzando lucchetti.**
  2. **Non salire mai sull'utensile.** Qualora l'utensile si rovesci o si entri accidentalmente in contatto con l'utensile da taglio, si potrebbero verificare gravi lesioni personali.
  3. **Non lasciare mai l'utensile in funzione incustodito. Spegnerlo. Non abbandonare l'utensile fino al suo arresto completo.**
  4. **Non utilizzare la sega senza le protezioni in posizione. Controllare che la protezione lama si chiuda correttamente prima di ciascun utilizzo. Non utilizzare la sega qualora la protezione lama non si muova liberamente e non si chiuda istantaneamente. Non bloccare o legare mai la protezione lama in posizione di apertura.**
  5. **Tenere le mani fuori dal percorso della lama. Evitare il contatto con la lama durante il moto inziale. La lama può ancora causare gravi lesioni personali.**
  6. **Fissare sempre tutte le parti mobili prima di trasportare l'utensile.**
  7. **Il perno di fermo che blocca verso il basso la testa troncatrice va utilizzato solo per trasportare o riporre l'utensile, non per operazioni di taglio di alcun genere.**
  8. **Controllare con cura che la lama non presenti crepe o danneggiamenti prima dell'utilizzo. Sostituire immediatamente le lame spaccate o danneggiate. Gomma e pece nera indurite sulle lame rallentano la sega e fanno aumentare il rischio di contraccolpi. Mantenere la lama pulita rimuovendola innanzitutto dall'utensile, e quindi pulendola con sostanze di rimozione della gomma e della pece, acqua calda o cherosene. Non utilizzare mai benzina per pulire la lama.**



9. Utilizzare esclusivamente le flange specificate per il presente utensile.
10. Fare attenzione a non danneggiare l'albero, le flange (soprattutto la superficie di installazione) o il bullone. Eventuali danni a queste parti potrebbero risultare nella rottura della lama.
11. Accertarsi che la base girevole sia fissata saldamente, affinché non si muova durante l'uso dell'utensile. Utilizzare i fori presenti nella base per fissare la sega a una piattaforma di lavoro o un banco stabili. Non utilizzare MAI l'utensile qualora il posizionamento dell'operatore risulti scomodo.
12. Prima di accendere l'utensile, accertarsi di aver rilasciato il blocco albero.
13. Accertarsi che la lama non sia a contatto con la base girevole nella posizione più bassa.
14. Tenere saldamente l'utensile per il manico. Tenere presente che la sega si muove leggermente verso l'alto o verso il basso durante l'avvio e l'arresto.
15. Accertarsi che la lama non sia a contatto con il pezzo prima di accendere l'utensile.
16. Prima di utilizzare l'utensile su un pezzo, lasciarlo funzionare per qualche momento. Accertarsi che non siano presenti vibrazioni oppure oscillazioni che potrebbero indicare un'installazione inadeguata o un bilanciamento imperfetto della lama.
17. Interrompere immediatamente l'uso qualora si noti qualcosa di anomalo.
18. Non tentare di bloccare l'interruttore a grilletto nella posizione di accensione.
19. Utilizzare sempre gli accessori consigliati nel presente manuale. L'uso di accessori inadeguati, ad esempio ruote abrasive, potrebbe causare lesioni personali.
20. Alcuni materiali contengono sostanze chimiche che potrebbero essere tossiche. Adottare delle precauzioni per evitare l'inalazione delle polveri e il contatto con la pelle. Attenersi ai dati sulla sicurezza del fornitore del materiale.

Regole di sicurezza aggiuntive per il laser

1. **RADIAZIONE LASER, NON FISSARE LO SGUARDO SUL RAGGIO NÉ GUARDARLO DIRETTAMENTE CON STRUMENTI OTTICI; PRODOTTO LASER DI CLASSE 2M.**

## CONSERVARE LE PRESENTI ISTRUZIONI.

**AVVERTIMENTO:** NON lasciare che comedità o la familiarità d'utilizzo con il prodotto (acquisita con l'uso ripetuto) sostituisca la stretta osservanza delle norme di sicurezza per il prodotto in questione. L'USO IMPROPRIO o la mancata osservanza delle norme di sicurezza indicate nel presente manuale di istruzioni potrebbero causare gravi lesioni personali.

## INSTALLAZIONE

### Montaggio su banco

Quando l'utensile viene consegnato, il manico è bloccato nella posizione abbassata mediante il dispositivo di blocco del manico. Sbloccare il dispositivo di blocco del manico abbassando leggermente il manico e ruotando il dispositivo di blocco del manico sulla posizione di sblocco.

► **Fig.2:** 1. Dispositivo di blocco del manico

Questo utensile va imbullonato con quattro bulloni su una superficie piana e stabile utilizzando i fori per i bulloni forniti nella base dell'utensile. Ciò contribuisce a evitare il rovesciamento dell'utensile e le eventuali lesioni personali conseguenti.

► **Fig.3:** 1. Bullone

## DESCRIZIONE DELLE FUNZIONI

### ATTENZIONE:

- Accertarsi sempre che l'utensile sia spento e scollegato dall'alimentazione elettrica prima di regolare o controllare le funzioni sull'utensile.

### Protezione lama

► **Fig.4:** 1. Protezione lama

Quando si abbassa la maniglia, la protezione lama si solleva automaticamente. La protezione è caricata da una molla, per cui torna sulla sua posizione originale quando il taglio viene completato e si solleva la maniglia. **NON RENDERE MAI INOPERANTE NÉ RIMUOVERE LA PROTEZIONE LAMA O LA MOLLA AGGANCIATA ALLA PROTEZIONE.**

Nell'interesse della propria sicurezza personale, mantenere sempre la protezione lama in buone condizioni. Qualsiasi funzionamento irregolare della protezione lama va corretto immediatamente. Accertarsi che la protezione torni in posizione mediante l'azione della carica a molla. **NON UTILIZZARE MAI L'UTENSILE CON LA PROTEZIONE LAMA O LA MOLLA DANNEGGIATE, DIFETTOSE O RIMOSSE. LA MANCATA OSSERVANZA DI QUESTA PRECAUZIONE È ESTREMAMENTE PERICOLOSA E PUÒ CAUSARE GRAVI LESIONI PERSONALI.** Qualora la protezione lama trasparente si sporchi, oppure qualora la segatura si depositi sulla protezione in modo tale da non rendere più visibile la lama, scollegare la sega dall'alimentazione elettrica e pulire con cura la protezione con un panno umido. Non utilizzare sulla protezione in plastica solventi o prodotti di pulizia a base di petrolio. Qualora la protezione lama sia particolarmente sporca e la visione attraverso la protezione risulti ostacolata, utilizzare la chiave a tubo in dotazione per allentare il bullone esagonale che mantiene il coperchio centrale. Allentare il bullone esagonale ruotandolo in senso antiorario e sollevare la protezione lama e il coperchio centrale. Con la protezione lama posizionata in questo modo, è possibile effettuare in modo più completo ed efficiente la pulizia. Al termine della pulizia, eseguire al contrario la procedura indicata sopra e fissare il bullone. Non rimuovete la molla che fissa la protezione lama. Qualora la protezione venga scolorita a causa dell'invecchiamento o dell'esposizione alla luce ultravioletta, contattare un centro di assistenza Makita per ottenere una nuova protezione. **NON RENDERE INOPERANTE NÉ RIMUOVERE LA PROTEZIONE.**

► **Fig.5:** 1. Protezione lama

## Piano di taglio

### ► Fig.6: 1. Base girevole 2. Piano di taglio

Questo utensile è dotato di un piano di taglio nella base girevole, per ridurre al minimo la frammentazione sul lato di uscita del taglio. Qualora la scanalatura di taglio non sia ancora stata tagliata nel piano di taglio in fabbrica, occorre tagliare la scanalatura prima di utilizzare effettivamente l'utensile per tagliare un pezzo in lavorazione. Accendere l'utensile e abbassare delicatamente la lama per tagliare una scanalatura nel piano di taglio.

## Mantenimento della capacità massima di taglio

### ► Fig.7: 1. Alloggiamento degli ingranaggi 2. Dado esagonale 3. Bullone di regolazione

### ► Fig.8: 1. Superficie superiore della base girevole 2. Bordo della lama 3. Guida pezzo

Il presente utensile è stato regolato in fabbrica in modo da fornire la capacità massima di taglio con le lame da 355 mm.

Quando si intende installare una nuova lama, controllare sempre la posizione del limite inferiore della lama e, se necessario, regolarla nel modo seguente:

Innanzitutto, scollegare l'utensile dall'alimentazione elettrica. Abbassare completamente la maniglia.

Allentare il dado esagonale nella parte posteriore dell'alloggiamento degli ingranaggi. Utilizzare un cacciavite per ruotare il bullone di regolazione fino a far sporgere leggermente il bordo della lama sotto la superficie superiore della base girevole, nel punto in cui la faccia anteriore della guida pezzo tocca la superficie superiore della base girevole.

Con l'utensile scollegato dall'alimentazione elettrica, ruotare la lama a mano tenendo il manico completamente abbassato per assicurarsi che la lama non sia in contatto con alcuna parte della base inferiore. Se necessario, effettuare di nuovo una leggera regolazione.

Dopo la regolazione, serrare il dado esagonale con la chiave, mentre si mantiene in posizione con cura il bullone di regolazione con il cacciavite.

A questo punto, accertarsi che il manico possa essere bloccato nella posizione abbassata ruotando il dispositivo di blocco del manico. Qualora non sia possibile bloccare il manico in tal modo, ruotare il bullone di regolazione in modo che sia possibile bloccare il manico nella posizione abbassata.

### ⚠ATTENZIONE:

- Dopo aver installato una nuova lama, verificare sempre che la lama non entri in contatto con alcuna parte della base inferiore quando la maniglia viene abbassata completamente. Effettuare sempre questa operazione con l'utensile scollegato dall'alimentazione elettrica.

## Regolazione dell'angolo di taglio obliquo

### ► Fig.9: 1. Indice 2. Leva di blocco 3. Scala di taglio obliquo 4. Impugnatura

Allentare l'impugnatura ruotandola in senso antiorario. Ruotare la base girevole mentre si tiene premuta la leva di blocco. Quando si è spostata l'impugnatura sulla posizione in cui l'indice punta verso l'angolo desiderato sulla scala di taglio obliquo, fissare saldamente l'impugnatura ruotandola in senso orario.

### ⚠ATTENZIONE:

- Quando si intende ruotare la base girevole, accertarsi di sollevare completamente il manico.
- Dopo aver modificato l'angolo di taglio obliquo, fissare sempre la base girevole serrando saldamente l'impugnatura.

## Barriera piatta

La barriera piatta è progettata per evitare che gli sfridi di taglio più piccoli si inceppino all'interno della cassa della lama. La barriera piatta si sposta automaticamente a destra o a sinistra man mano che si ruota la base girevole.

## Utilizzo dell'interruttore

### ⚠ATTENZIONE:

- Prima di collegare l'utensile all'alimentazione elettrica, accertarsi sempre che l'interruttore a grilletto funzioni correttamente e che torni sulla posizione di spegnimento quando viene rilasciato.

### ⚠AVVERTIMENTO:

- Non utilizzare MAI l'utensile quando l'interruttore a grilletto non è perfettamente funzionante. Qualsiasi utensile con un interruttore non funzionante è ESTREMAMENTE PERICOLOSO e deve essere riparato prima di un ulteriore utilizzo.

## Per utensili dotati di pulsante di sblocco

### ► Fig.10: 1. Pulsante di sblocco 2. Interruttore a grilletto

### ⚠ATTENZIONE:

- Quando non si intende utilizzare l'utensile, rimuovere il pulsante di sblocco e riporlo in un luogo sicuro. In tal modo, si evita l'utilizzo non autorizzato.
- Non premere con forza l'interruttore a grilletto senza aver fatto rientrare il pulsante di sblocco premendolo. In caso contrario, si potrebbe causare la rottura dell'interruttore.

L'utensile è dotato di un pulsante di sblocco, per evitare che l'interruttore a grilletto venga premuto accidentalmente. Per avviare l'utensile, far rientrare il pulsante di sblocco premendolo e premere l'interruttore a grilletto. Per arrestare l'utensile, rilasciare l'interruttore a grilletto.

### **⚠AVVERTIMENTO:**

- Per la sicurezza dell'operatore, l'utensile è dotato di un pulsante di sblocco che ne impedisce l'avvio accidentale. Non utilizzare MAI l'utensile qualora quest'ultimo si avvii semplicemente premendo l'interruttore a grilletto senza premere il pulsante di sblocco. Portare l'utensile a un centro di assistenza Makita per le riparazioni necessarie PRIMA di un ulteriore utilizzo.
- Non fissare MAI con del nastro adesivo il pulsante di sblocco e non renderne MAI inefficace lo scopo e la funzionalità.

## Per gli utensili privi di pulsante di sblocco

► Fig.11: 1. Interruttore a grilletto

Accendere l'utensile e attendere che la lama raggiunga la piena velocità. Quindi, abbassare delicatamente la lama nel taglio.

Per avviare l'utensile, è sufficiente premere l'interruttore a grilletto. Per arrestarlo, rilasciare l'interruttore a grilletto.

## MONTAGGIO

### **⚠ATTENZIONE:**

- Accertarsi sempre che l'utensile sia spento e scollegato dall'alimentazione elettrica prima di eseguire qualsiasi lavoro sull'utensile.

## Installazione o rimozione della lama

### **⚠ATTENZIONE:**

- Accertarsi sempre che l'utensile sia spento e scollegato dall'alimentazione elettrica, prima di installare o di rimuovere la lama.
- Per installare o rimuovere la lama, utilizzare solo la chiave a tubo Makita in dotazione. In caso contrario, si potrebbe causare il serraggio eccessivo o insufficiente del bullone esagonale. Ciò potrebbe causare lesioni personali.

## Rimozione della lama

Per rimuovere la lama, utilizzare la chiave a tubo per allentare il bullone esagonale che fissa il coperchio centrale, ruotando il bullone in senso antiorario. Sollevare la protezione lama e il coperchio centrale.

► Fig.12: 1. Chiave a tubo

Premere il blocco albero per bloccare il mandrino e utilizzare la chiave a tubo per allentare il bullone esagonale in senso antiorario. Quindi, rimuovere il bullone esagonale, la flangia esterna e la lama.

► Fig.13: 1. Blocco albero

► Fig.14: 1. Chiave a tubo

## Installazione della lama

Per installare la lama, montarla con attenzione sul mandrino, accertandosi che la direzione della freccia sulla superficie della lama coincida con la direzione della freccia sulla cassa lama. Installare la flangia esterna e il bullone esagonale, quindi utilizzare la chiave a tubo per serrare saldamente il bullone esagonale in senso orario, tenendo premuto contemporaneamente il blocco albero.

► Fig.15: 1. Cassa lama 2. Freccia 3. Lama 4. Freccia

### **Per tipi diverse da quelle europee**

► Fig.16: 1. Mandrino 2. Flangia interna 3. Lama 4. Flangia esterna 5. Bullone esagonale 6. Indicazione dei 25,4 mm

### **⚠ATTENZIONE:**

- La flangia interna ha un diametro di 25 mm da un lato e un diametro di 25,4 mm dall'altro lato. Il lato con diametro da 25,4 mm è contrassegnato con l'indicazione "25.4". Utilizzare sempre la dimensione corretta per il diametro del foro della lama che si intende utilizzare. Il montaggio della lama dal lato sbagliato può risultare in pericolose vibrazioni.

### **Per il tipo europeo**

► Fig.17: 1. Mandrino 2. Flangia interna 3. Lama 4. Flangia esterna 5. Bullone esagonale

### **⚠ATTENZIONE:**

- Accertarsi che la sporgenza da 25 mm sulla flangia interna che è posizionata all'esterno entri perfettamente nei 25 mm del foro della lama. Il montaggio della lama sul lato sbagliato può risultare in pericolose vibrazioni.

## Come riportare in posizione la protezione lama

Far scivolare il perno che si trova sulla protezione lama nella fessura sul braccio guida, mentre si riporta la protezione lama alla posizione originale completamente chiusa. Quindi, serrare il bullone esagonale in senso orario per fissare il coperchio centrale. Abbassare la maniglia per accertarsi che la protezione lama si muova correttamente. Accertarsi che il blocco albero abbia rilasciato il mandrino, prima di eseguire il taglio.

► Fig.18: 1. Perno 2. Braccio guida

## Collegamento di un aspiratore

Quando si desidera eseguire operazioni di taglio pulite, collegare un aspirapolvere Makita.

► Fig.19

## Sacchetto polveri

► Fig.20: 1. Bocchettone segatura 2. Sacchetto segatura 3. Chiusura

L'utilizzo del sacchetto polveri rende più pulite le operazioni di taglio e più facile la raccolta delle polveri. Per montare il sacchetto polveri, inserirlo sulla bocchetta delle polveri. Quando il sacchetto polveri è quasi pieno a metà, rimuoverlo dall'utensile ed estrarre la chiusura. Svuotare il sacchetto polveri del contenuto dandogli dei leggeri colpetti, in modo da rimuovere le particelle attaccate all'interno che potrebbero ostacolare l'ulteriore raccolta delle polveri.

## Fissaggio del pezzo

### ⚠AVVERTIMENTO:

- È estremamente importante fissare sempre correttamente e saldamente il pezzo in lavorazione con la morsa. La mancata osservanza di questa precauzione può causare il danneggiamento dell'utensile e/o la distruzione del pezzo in lavorazione. **POTREBBERO ANCHE RISULTARE GRAVI LESIONI PERSONALI.** Inoltre, dopo un'operazione di taglio, **NON** sollevare la lama fino al suo arresto completo.

### ⚠ATTENZIONE:

- Quando si intende tagliare pezzi in lavorazione lunghi, utilizzare dei supporti che abbiano la stessa altezza del livello della superficie superiore della base girevole. Per fissare il pezzo in lavorazione, non affidarsi solo alla morsa verticale e/o orizzontale. Il materiale sottile tende a incurvarsi. Sostenere il pezzo in lavorazione per la sua intera lunghezza, al fine di evitare inceppamenti della lama e potenziali **CONTRACCOLPI**.

► **Fig.21:** 1. Sostegno 2. Base girevole

## Morsa orizzontale (accessorio opzionale)

► **Fig.22:** 1. Parte sporgente 2. Manopola morsa

La morsa orizzontale può venire installata sul lato sinistro o sul lato destro della base. Quando si intende eseguire tagli obliqui a 15° o a inclinazione superiore, installare la morsa orizzontale sul lato opposto alla direzione in cui deve ruotare la base girevole. Quando si ruota la manopola morsa in senso antiorario la vite viene rilasciata, ed è possibile spostare rapidamente l'albero morsa verso l'interno o l'esterno. Quando si ruota la manopola morsa in senso orario, la vite resta fissata. Per fissare il pezzo in lavorazione, ruotare delicatamente la manopola morsa in senso orario fino a quando la parte sporgente raggiunge la sua posizione più alta, quindi serrarla saldamente. Se si forza l'inserimento della manopola morsa o la si estrae mentre viene ruotata in senso orario, la parte sporgente potrebbe arrestarsi inclinata. In tal caso, ruotare la manopola morsa indietro in senso antiorario fino al rilascio della vite, prima di ruotarla di nuovo delicatamente in senso orario.

### ⚠ATTENZIONE:

- Fissare il pezzo in lavorazione solo quando la parte sporgente si trova nella sua posizione più alta. La mancata osservanza di questa indicazione potrebbe risultare in un fissaggio insufficiente del pezzo. Ciò può far scagliare via il pezzo in lavorazione, causare il danneggiamento della lama o la perdita del controllo, il che può risultare in **LESIONI PERSONALI**.

## Morsa verticale (accessorio opzionale)

► **Fig.23:** 1. Asta morsa 2. Vite 3. Guida pezzo  
4. Manopola morsa 5. Braccio morsa

► **Fig.24:** 1. Asta morsa 2. Vite 3. Manopola morsa  
4. Braccio morsa 5. Guida pezzo

La morsa verticale può venire installata nella posizione sul lato sinistro o sul lato destro della guida pezzo. Inserire l'asta morsa nel foro della guida pezzo e serrare la vite per fissare l'asta morsa.

Posizionare il braccio morsa in base allo spessore e alla forma del pezzo, e fissare il braccio morsa serrando la vite. Qualora la vite per fissare il braccio morsa entri in contatto con la guida pezzo, installare la vite sul lato opposto del braccio morsa. Accertarsi che nessuna parte dell'utensile entri in contatto con la morsa, quando si intende abbassare completamente il manico. Qualora una qualsiasi parte sia in contatto con la morsa, riposizionare quest'ultima.

Premere il pezzo appoggiato di piatto contro la guida pezzo e la base girevole. Posizionare il pezzo sulla posizione di taglio desiderata e fissarlo saldamente serrando la manopola morsa.

### ⚠ATTENZIONE:

- Il pezzo in lavorazione deve essere fissato saldamente contro la base girevole e la guida pezzo con la morsa durante tutte le operazioni.

## Installazione dei supporti (accessori opzionali)

► **Fig.25:** 1. Supporto 2. Vite

Installare i supporti su entrambi i lati della base e fissarli con delle viti.

## FUNZIONAMENTO

### ⚠ATTENZIONE:

- Prima dell'uso, accertarsi di rilasciare il manico dalla posizione abbassata ruotando il dispositivo di blocco del manico sulla posizione sbloccata.
- Prima di attivare l'interruttore, accertarsi che la lama non sia in contatto con il pezzo, e così via.
- Non esercitare una pressione eccessiva sul manico durante il taglio. Una forza eccessiva può risultare nel sovraccarico del motore e/o in una diminuzione dell'efficienza di taglio. Premere verso il basso il manico solo con la forza necessaria a un taglio uniforme e senza una notevole riduzione della velocità della lama.
- Premere delicatamente verso il basso il manico per eseguire il taglio. Qualora si preme con forza verso il basso il manico o si applichi una forza laterale, la lama vibra lasciando un segno sul pezzo in lavorazione (segno della sega), e la precisione del taglio viene compromessa.

## Taglio con pressione

► **Fig.26**

Fissare il pezzo in lavorazione con la morsa. Accendere l'utensile senza mettere in contatto la lama con il pezzo in lavorazione, quindi attendere che la lama raggiunga la piena velocità, prima di abbassarla. Quindi, abbassare delicatamente la maniglia sulla posizione completamente abbassata per tagliare il pezzo in lavorazione. Al completamento del taglio, spegnere l'utensile e **ATTENDERE CHE LA LAMA SI SIA ARRESTATO COMPLETAMENTE**, prima di riportarla alla posizione di elevazione massima.

## Taglio obliquo

Fare riferimento alla sezione "Regolazione dell'angolo di taglio obliquo" riportata in precedenza.

## Taglio di estrusioni di alluminio

- **Fig.27:** 1. Morsa orizzontale 2. Cubetto distanziatore 3. Estrusione di alluminio 4. Guida pezzo

Quando si intende fissare estrusioni di alluminio, utilizzare dei cubetti distanziatori o degli sfidri come indicato nella figura per evitare la deformazione dell'alluminio. Quando si intende tagliare l'estrusione di alluminio, utilizzare un lubrificante da taglio per evitare l'accumulo di materiale in alluminio sulla lama.

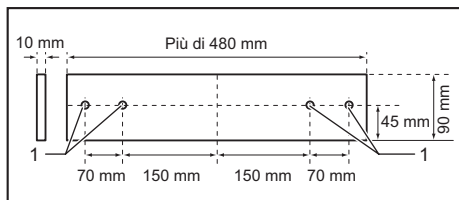
### ATTENZIONE:

- Non tentare mai di tagliare estrusioni di alluminio spesse o rotonde. Le estrusioni di alluminio spesse potrebbero staccarsi durante l'operazione, e non è possibile fissare saldamente le estrusioni di alluminio arrotondate con il presente utensile.

## Spessore di legno

- **Fig.28:** 1. Guida pezzo 2. Spessore di legno

L'impiego di uno spessore di legno contribuisce ad assicurare tagli senza schegge dei pezzi in lavorazione. Montare lo spessore di legno sulla guida pezzo utilizzando i fori della guida pezzo. Per lo spessore di legno consigliato, fare riferimento alla figura relativa alle dimensioni.



1. Foro

### ATTENZIONE:

- Come spessore di legno, utilizzare legno dritto di spessore uniforme.
- Utilizzare delle viti per montare lo spessore di legno sulla guida pezzo. Le viti devono essere installate in modo che le loro teste vengano a trovarsi sotto la superficie dello spessore di legno.
- Quando è montato lo spessore di legno, non ruotare la base girevole con il manico abbassato. In caso contrario, la lama e/o lo spessore di legno verrebbero danneggiati.

### NOTA:

- Quando è montato lo spessore di legno, le capacità massime di taglio in larghezza vengono ridotte in misura pari a quella dello spessore di legno.

## Taglio di lunghezze ripetitive

- **Fig.29:** 1. Piastra di regolazione 2. Supporto 3. Vite

Quando si intende tagliare numerosi pezzi di materiale della stessa lunghezza, dai 300 mm ai 400 mm, l'utilizzo della piastra di regolazione (accessorio opzionale) facilita un utilizzo più efficiente. Installare la piastra di regolazione sul supporto (accessorio opzionale) come mostrato nella illustrazione.

Allineare la linea di taglio sul pezzo in lavorazione con il lato sinistro o destro della scanalatura sul piano di taglio; quindi, tenendo fermo il pezzo in lavorazione, spostare la piastra di regolazione a filo contro l'estremità del pezzo in lavorazione. Quindi, fissare la piastra di regolazione con la vite. Quando non si utilizza la piastra di regolazione, allentare le viti e ruotare la piastra di regolazione in modo che non sia di ingombro.

### NOTA:

- L'utilizzo del gruppo barre supporti (accessorio opzionale) consente di effettuare tagli ripetuti della stessa lunghezza fino a un massimo di 2.200 mm circa.

## Trasporto dell'utensile

- **Fig.30:** 1. Dispositivo di blocco del manico

Accertarsi che l'utensile sia scollegato dall'alimentazione elettrica. Fissare la base girevole sull'angolo massimo di taglio obliquo a destra mediante l'impugnatura. Abbassare completamente il manico e bloccarlo nella posizione abbassata ruotando il dispositivo di blocco del manico sulla posizione bloccata.

Trasportare l'utensile mantenendo entrambi i lati della sua base, come indicato nella figura. Se si rimuovono i supporti, il sacchetto polveri, e così via, è possibile trasportare l'utensile più facilmente.

- **Fig.31**

### ATTENZIONE:

- Fissare sempre tutte le parti mobili prima di trasportare l'utensile.
- Il dispositivo di blocco del manico va utilizzato solo per trasportare o riporre l'utensile, non per operazioni di taglio di alcun genere.

## MANUTENZIONE

### ATTENZIONE:

- Accertarsi sempre che l'utensile sia spento e scollegato dall'alimentazione elettrica prima di tentare di eseguire interventi di ispezione o manutenzione.
- Non utilizzare mai benzina, benzene, solventi, alcol o altre sostanze simili. In caso contrario, si potrebbero causare scolorimenti, deformazioni o crepe.

### AVVERTIMENTO:

- Per ottenere le prestazioni migliori e la massima sicurezza, accertarsi sempre che la lama sia affilata e pulita.

## Regolazione dell'angolo di taglio

Il presente utensile è stato regolato e allineato con cura in fabbrica, ma l'incuria nell'utilizzo potrebbe influenzare l'allineamento. Qualora lo strumento non sia allineato correttamente, attenersi alla procedura seguente:

► **Fig.32:** 1. Bullone esagonale

Allentare l'impugnatura che fissa la base girevole. Ruotare la base girevole in modo che l'indice punti su 0° sulla scala di taglio obliquo. Quindi, ruotare leggermente la base girevole in senso orario e antiorario per sistemarla nella tacca di taglio obliquo di 0°. (Qualora l'indice non indichi 0°, lasciarla nella posizione in cui si trova.) Allentare i bulloni esagonali che fissano la guida pezzo utilizzando la chiave a tubo.

Abbassare completamente il manico e bloccarlo nella posizione abbassata ruotando il dispositivo di blocco del manico sulla posizione bloccata.

Mettere in squadra il fianco della lama con la faccia della guida pezzo utilizzando un righello triangolare, una squadra battente, e così via. Quindi, serrare saldamente i bulloni esagonali sulla guida pezzo in sequenza, a partire dal lato destro.

► **Fig.33:** 1. Guida pezzo 2. Righello triangolare

Accertarsi che l'indice sulla piastrina di indicazione punti su 0° sulla scala di taglio obliquo. Qualora l'indice non punti su 0°, allentare le viti che fissano la piastrina di indicazione e regolare quest'ultima in modo che l'indice punti su 0°.

► **Fig.34:** 1. Indice 2. Viti 3. Scala di taglio obliquo

## Regolazione per un azionamento fluido del manico

► **Fig.35:** 1. Alloggiamento degli ingranaggi  
2. Controdado esagonale 3. Braccio

Il controdado esagonale che tiene fermo l'alloggiamento degli ingranaggi e il braccio è stato regolato in fabbrica per assicurare un azionamento fluido del manico verso l'alto e verso il basso, nonché per garantire un taglio preciso. Non manometterlo. Qualora si dovesse sviluppare un allentamento dell'alloggiamento degli ingranaggi e del collegamento del braccio, effettuare la regolazione seguente. Muovere il manico verso l'alto e verso il basso mentre si serra il controdado esagonale; la posizione ottimale per serrare il controdado esagonale si trova subito prima del punto in cui si avverte il peso del corpo del motore.

Dopo aver regolato il controdado esagonale, accertarsi che il manico torni automaticamente alla posizione iniziale sollevata da qualsiasi posizione. Qualora il controdado esagonale sia troppo allentato, l'accuratezza del taglio verrà compromessa; qualora sia troppo serrato, sarà difficile muovere il manico verso l'alto e verso il basso. Tenere presente che si tratta di un dado autobloccante. Si tratta di un tipo speciale, che non si allenta nell'utilizzo normale. Non va serrato eccessivamente, né sostituito con altri tipi di dadi.

## Sostituzione delle spazzole in carbonio

► **Fig.36:** 1. Segno limite

Rimuovere e controllare a intervalli regolari le spazzole in carbonio. Sostituirle quando si usurano fino ad arrivare al segno limite. Mantenere le spazzole in carbonio pulite e libere di scorrere nei supporti. È necessario sostituire entrambe le spazzole in carbonio contemporaneamente. Utilizzare esclusivamente spazzole in carbonio identiche. Utilizzare un cacciavite per rimuovere i cappucci degli alloggiamenti delle spazzole. Estrarre le spazzole in carbonio usurate, inserire quelle nuove e fissare i cappucci degli alloggiamenti delle spazzole.

► **Fig.37:** 1. Cacciavite 2. Cappuccio dell'alloggiamento della spazzola

## Dopo l'uso

- Dopo l'uso, rimuovere i trucioli e la segatura attaccati all'utensile con un panno o uno straccio. Mantenere pulita la protezione lama attenendosi alle indicazioni fornite precedentemente in "Protezione lama". Per evitare la ruggine, lubrificare le parti scorrevoli con olio per utensili.

Per preservare la SICUREZZA e l'AFFIDABILITÀ del prodotto, le riparazioni e qualsiasi altro intervento di manutenzione e di regolazione devono essere eseguiti da centri di assistenza autorizzati Makita, utilizzando sempre ricambi Makita.

## ACCESSORI OPZIONALI

**AVVERTIMENTO:** Questi accessori o componenti aggiuntivi Makita sono consigliati per l'uso con l'utensile Makita specificato nel presente manuale.

L'uso di qualsiasi altro accessorio o componente aggiuntivo potrebbe risultare in gravi lesioni personali.

**AVVERTIMENTO:** Utilizzare l'accessorio o il componente aggiuntivo Makita unicamente per il suo scopo specificato. L'uso improprio di un accessorio o di un componente aggiuntivo potrebbe risultare in gravi lesioni personali.

Per ottenere ulteriori dettagli relativamente a questi accessori, rivolgersi a un centro di assistenza Makita.

- Lama al carburo  
(Per informazioni sulle lame corrette da utilizzare per il materiale da tagliare, consultare il nostro sito web o contattare il proprio rivenditore locale Makita.)
- Chiave a tubo
- Kit supporti
- Piastra di regolazione
- Sacchetto segatura
- Righello triangolare
- Gruppo morsa (morsa orizzontale)
- Gruppo morsa (morsa verticale)
- Pulsante di sblocco (2 pz.)

**NOTA:**

- Alcuni articoli nell'elenco potrebbero essere inclusi nell'imballaggio dell'utensile come accessori standard. Tali articoli potrebbero variare da nazione a nazione.



## TECHNISCHE GEGEVENS

Model	LS1440	
Diameter zaagblad	355 mm	
Diameter middengat	Voor andere dan Europese landen	25 mm of 25,4 mm (afhankelijk van het land)
	Voor Europese landen	25 mm
Maximale breedte van de zaagsnede van het zaagblad	3,4 mm	
Max. verstekhoek	Links 45°, rechts 45°	
Nullasttoerental	3.900 min <sup>-1</sup>	
Afmetingen (l x b x h)	596 mm x 550 mm x 630 mm	
Nettogewicht	33,1 kg	
Veiligheidsklasse	□/II	

- In verband met ononderbroken research en ontwikkeling behouden wij ons het recht voor bovenstaande technische gegevens te wijzigen zonder voorafgaande kennisgeving.
- De technische gegevens kunnen van land tot land verschillen.
- Gewicht volgens EPTA-procedure 01/2014

### Max. zaagdikten (h x b)

Verstekhoek	
0°	45° (links en rechts)
122 mm x 152 mm	122 mm x 115 mm

## Symbolen

Hieronder staan de symbolen die voor het gereedschap worden gebruikt. Zorg ervoor dat u weet wat ze betekenen alvorens het gereedschap te gebruiken.

	Lees de gebruiksaanwijzing.
	DUBBEL GEÏSOLEERD
	Om letsel door rondvliegende houtsnippers te voorkomen, blijft u na het zagen de zaagkop omlaag gedruwd houden totdat het zaagblad volledig tot stilstand is gekomen.
	Houd handen en vingers uit de buurt van het zaagblad.
	Verwijder voor uw eigen veiligheid zaagafval, stukjes hout e.d. van de werktafel alvorens te gaan zagen.
	Alleen voor EU-landen Geef elektrisch gereedschap niet met het huisvuil mee! Volgens de Europese richtlijn inzake oude elektrische en elektronische apparaten en de toepassing daarvan binnen de nationale wetgeving, dient gebruikt elektrisch gereedschap gescheiden te worden ingezameld en te worden afgevoerd naar een recyclebedrijf dat voldoet aan de geldende milieu-eisen.

## Gebruiksdoelinden

Dit gereedschap is bedoeld voor nauwkeurig recht zagen en verstekzagen in hout. Als het juiste zaagblad wordt gebruikt, kan dit gereedschap ook aluminium zagen.

## Voeding

Het gereedschap mag alleen worden aangesloten op een voeding van dezelfde spanning als aangegeven op het typeplaatje, en kan alleen worden gebruikt op enkelfase-wisselstroom. Het gereedschap is dubbelgeïsoleerd en kan derhalve ook op een niet-geaard stopcontact worden aangesloten.

## Voor openbare laagspanningsverdeelsystemen van tussen 220 V en 250 V

Schakelbedieningen van elektrische apparaten veroorzaken spanningsschommelingen. De bediening van dit gereedschap onder ongunstige lichtnetomstandigheden kan een nadelige invloed hebben op de bediening van andere apparaten. Het kan worden aangenomen dat er geen negatieve effecten zullen zijn wanneer de netimpedantie gelijk is aan of minder is dan 0,39 ohm. Het stopcontact dat voor dit gereedschap wordt gebruikt, moet beveiligd zijn door een zekering of een stroomonderbreker met trage afschakelkarakteristieken.

## Geluidsniveau

De typische, A-gewogen geluidsniveaus zijn gemeten volgens EN62841-3-9:  
 Geluidsdrukniveau (L<sub>pA</sub>): 94 dB (A)  
 Geluidsvermogeniveau (L<sub>WA</sub>): 105 dB (A)  
 Onzekerheid (K): 3 dB (A)



**OPMERKING:** De opgegeven geluidsemissiewaarde(n) is/zijn gemeten volgens een standaardtestmethode en kan/kunnen worden gebruikt om dit gereedschap te vergelijken met andere gereedschappen.

**OPMERKING:** De opgegeven geluidsemissiewaarde(n) kan/kunnen ook worden gebruikt voor een beoordeling vooraf van de blootstelling.

**⚠️ WAARSCHUWING:** Draag gehoorbescherming.

**⚠️ WAARSCHUWING:** De geluidsemissie tijdens het gebruik van het elektrisch gereedschap in de praktijk kan verschillen van de opgegeven waarde(n) afhankelijk van de manier waarop het gereedschap wordt gebruikt, met name van het soort werkstuk waarmee wordt gewerkt.

**⚠️ WAARSCHUWING:** Zorg ervoor dat veiligheidsmaatregelen worden getroffen ter bescherming van de gebruiker die zijn gebaseerd op een schatting van de blootstelling onder praktijkomstandigheden (rekening houdend met alle fasen van de bedrijfscyclus, zoals de tijdsduur gedurende welke het gereedschap is uitgeschakeld en stationair draait, naast de ingeschakelde tijdsduur).

## Trilling

De totale trillingswaarde (triaxiale vectorsom) zoals vastgesteld volgens EN62841-3-9:

Trillingsemissie ( $a_{h,r}$ ):  $2,5 \text{ m/s}^2$

Onzekerheid (K):  $1,5 \text{ m/s}^2$

**OPMERKING:** De totale trillingswaarde(n) is/zijn gemeten volgens een standaardtestmethode en kan/kunnen worden gebruikt om dit gereedschap te vergelijken met andere gereedschappen.

**OPMERKING:** De opgegeven totale trillingswaarde(n) kan/kunnen ook worden gebruikt voor een beoordeling vooraf van de blootstelling.

**⚠️ WAARSCHUWING:** De trillingsemissie tijdens het gebruik van het elektrisch gereedschap in de praktijk kan verschillen van de opgegeven waarde(n) afhankelijk van de manier waarop het gereedschap wordt gebruikt, met name van het soort werkstuk waarmee wordt gewerkt.

**⚠️ WAARSCHUWING:** Zorg ervoor dat veiligheidsmaatregelen worden getroffen ter bescherming van de gebruiker die zijn gebaseerd op een schatting van de blootstelling onder praktijkomstandigheden (rekening houdend met alle fasen van de bedrijfscyclus, zoals de tijdsduur gedurende welke het gereedschap is uitgeschakeld en stationair draait, naast de ingeschakelde tijdsduur).

## EG-verklaring van conformiteit

### Alleen voor Europese landen

De EG-verklaring van conformiteit is bijgevoegd als Bijlage A bij deze gebruiksaanwijzing.

## Algemene veiligheidswaarschuwingen voor elektrisch gereedschap

**⚠️ WAARSCHUWING:** Lees alle veiligheids- en technische gegevens behorend bij dit elektrische gereedschap aandachtig door. Als u niet alle onderstaande aanwijzingen naleeft, kan dat resulteren in brand, elektrische schokken en/of ernstig letsel.

## Bewaar alle waarschuwingen en instructies om in de toekomst te kunnen raadplegen.

De term "elektrisch gereedschap" in de veiligheidsvoorschriften duidt op gereedschappen die op stroom van het lichtnet werken (met snoer) of gereedschappen met een accu (snoerloos).

## Veiligheidsinstructies voor verstekzagen

1. **Verstekzagen zijn bedoeld voor het zagen van hout of houtachtige materialen. Ze kunnen niet worden gebruikt met doorslijpschijven voor het doorslijpen van ferro-materialen, zoals stangen, staven, draadeinden, enz.** Door het slijpstof zullen bewegende delen, zoals de onderste beschermkap, vastlopen. De vonken die bij doorslijpen worden geproduceerd, verbranden de onderste beschermkap, het zaagsnede-inzetstuk en andere kunststofonderdelen.
2. **Gebruik klemmen om het werkstuk vast te zetten wanneer dat mogelijk is. Als u het werkstuk met de hand vasthoudt, moet u uw hand altijd minstens 100 mm van beide kanten van het zaagblad weg houden. Gebruik deze zaag niet voor het zagen van werkstukken die te klein zijn om stevig vast te klemmen of met de hand vast te houden.** Als uw hand te dicht bij het zaagblad is geplaatst, is de kans groter dat u letsel oploopt door het aanraken van het zaagblad.
3. **Het werkstuk moet stil liggen en vastgeklemd zijn of vastgehouden worden tegen zowel de geleider als de tafel. Voer het werkstuk niet in het zaagblad aan, en zaag nooit 'uit de vrije hand'.** Losliggende of bewegende werkstukken kunnen op hoge snelheid worden weggegooid en letsel veroorzaken.
4. **Kruis met uw hand nooit de beoogde zaaglijn, hetzij vóór dan wel achter het zaagblad.** Het 'kruislings' vasthouden van het werkstuk, waarbij het werkstuk aan de rechterkant van het zaagblad wordt vastgehouden met de linkerhand, of vice versa, is bijzonder gevaarlijk.

► Fig.1

5. **Reik niet achter de geleider met een van uw handen dichterbij dan 100 mm bij een van de kanten van het zaagblad, om houtsnippers te verwijderen of om welke andere reden dan ook, terwijl het zaagblad draait.** U realiseert zich mogelijk niet hoe dicht uw hand bij het draaiende zaagblad is en u kunt ernstig letsel oplopen.

6. **Inspecteer uw werkstuk voordat u begint te zagen.** Als het werkstuk gebogen of verdraaid is, klemt u het vast met de buitenkant van het gebogen oppervlak tegen de geleider. Verzeker u er altijd van dat er geen opening is tussen het werkstuk, de geleider en de tafel langs de zaaglijn. Gebogen of verdraaide werkstukken kunnen zich draaien of verschuiven, en kunnen het draaiende zaagblad doen verlopen tijdens het zagen. Er mogen geen spijkers of vreemde voorwerpen in het werkstuk zitten.
  7. **Gebruik de zaag niet totdat de tafel vrij is van alle gereedschappen, houtsnippers, enz., behalve het werkstuk.** Kleine stukjes afval, losse stukjes hout of andere voorwerpen die in aanraking komen met het draaiende zaagblad, kunnen met hoge snelheid worden weggegooid.
  8. **Zaag slechts één werkstuk tegelijkertijd.** Meerdere, opgestapelde werkstukken kunnen niet goed worden vastgeklemd of vastgehouden, en kunnen het zaagblad doen vastlopen of tijdens het zagen verschuiven.
  9. **Verzeker u er vóór gebruik van dat de verstekzaag is bevestigd of geplaatst op een stevig werkoppervlak.** Een horizontaal en stevig werkoppervlak verkleint de kans dat de verstekzaag instabiel wordt.
  10. **Plan uw werkzaamheden. Elke keer wanneer u de instelling voor de schuine hoek of verstekhoek, verzekert u zich ervan dat de verstelbare geleider correct is afgesteld om het werkstuk te steunen en tevens het zaagblad of beschermingssysteem niet raakt tijdens gebruik.** Zonder het gereedschap in te schakelen en zonder een werkstuk op de tafel, beweegt u het zaagblad langs een volledige, gesimuleerde zaagsnede om er zeker van te zijn dat het zaagblad niets raakt en er geen gevaar is dat in de geleider wordt gezaagd.
  11. **Zorg voor voldoende ondersteuning, zoals tafelverlengingen, zaagbokken, enz. voor een werkstuk dat breder of langer is dan het bovenoppervlak van de tafel.** Werkstukken die breder of langer zijn dan de verstekzaagtafel, kunnen kantelen als ze niet goed worden ondersteund. Als het afgezaagde deel of het werkstuk kantelt, kan het de onderste beschermkap optillen of worden weggegooid door het draaiende zaagblad.
  12. **Gebruik niet een andere persoon als vervanging van een tafelverlenging of als extra ondersteuning.** Een instabiele ondersteuning van het werkstuk kan ertoe leiden dat het zaagblad vastloopt of het werkstuk verschuift tijdens het zagen, waardoor u en de helper in het draaiende zaagblad worden getrokken.
  13. **Het afgezaagde deel van het werkstuk mag op geen enkele wijze tegen het draaiende zaagblad bekneld raken of gedrukt worden.** Indien opgesloten, d.w.z. bij gebruik van lengteaanslagen, kan het afgezaagde deel tegen het zaagblad bekneld raken en met kracht weggegooid worden.
  14. **Gebruik altijd een klem of een bevestigingsmethode die bedoeld is om ronde werkstukken, zoals een staaf of buis, te ondersteunen.** Staven neigen te verrollen tijdens het zagen, waardoor het zaagblad zich 'vastbijt' en het werkstuk met uw hand in het zaagblad wordt getrokken.
  15. **Laat het zaagblad de volle snelheid bereiken voordat deze het werkstuk raakt.** Dit verkleint de kans dat het werkstuk wordt weggegooid.
  16. **Als het werkstuk of zaagblad vasttoot, schakelt u de verstekzaag uit. Wacht totdat alle bewegende delen tot stilstand zijn gekomen en trek de stekker uit het stopcontact en/of verwijder de accu. Verwijder daarna het vastgelopen materiaal.** Als u blijft zagen met een vastgelopen zaagblad, kunt u de controle over de verstekzaag verliezen of deze beschadigen.
  17. **Nadat u de zaagsnede hebt voltooid, laat u de schakelaar los, blijft u de zaagkop omlaag gedrukt houden en wacht u tot het zaagblad stilstaat voordat u het afgezaagde deel verwijderd.** Het is gevaarlijk om met uw hand in de buurt van het nalopende zaagblad te reiken.
  18. **Houd het handvat stevig vast bij het maken van een onvolledige zaagsnede en bij het loslaten van de schakelaar voordat de zaagkop helemaal omlaag is geduwd.** Door het remeffect van het zaagblad kan ertoe leiden dat de zaagkop plotseling omlaag getrokken wordt, waardoor een kans op letsel ontstaat.
  19. **Gebruik uitsluitend een zaagblad met een diameter zoals aangegeven op het gereedschap of vermeld in de gebruiksaanwijzing.** Het gebruik van een zaagblad met een verkeerde afmeting, kan een goede bescherming of werking van het zaagblad verhinderen, wat kan leiden tot ernstig persoonlijk letsel.
  20. **Gebruik altijd een zaagblad dat is gemarkeerd met een toerental dat gelijk is aan of hoger is dan het toerental dat is aangegeven op het gereedschap.**
  21. **Gebruik de zaag niet voor het zagen van iets anders dan hout, aluminium of soortgelijke materialen.**
  22. **(Alleen voor Europese landen)**  
Gebruik altijd een zaagblad dat voldoet aan EN847-1.
- Aanvullende instructies**
1. **Houd de werkplaats kinderveilig met hangsloten.**
  2. **Ga nooit op het gereedschap staan.** Er kan ernstig letsel ontstaan als het gereedschap omvalt of als het snij-/zaaggarnituur per ongeluk wordt aangeraakt.
  3. **Laat het gereedschap nooit ingeschakeld achter. Schakel de voeding uit. Laat het gereedschap niet achter totdat het volledig tot stilstand is gekomen.**
  4. **Gebruik de zaag niet zonder dat de beschermkappen zijn aangebracht. Controleer vóór elk gebruik of de beschermkap goed sluit. Gebruik de zaag niet indien de beschermkap niet goed beweegt en niet snel over het zaagblad sluit. Klem of bind de beschermkap nooit in de geopende stand vast.**
  5. **Houd uw handen uit de buurt van het zaagblad. Voorkom contact met het nog nadraaiende zaagblad. Het kan nog steeds ernstig letsel veroorzaken.**
  6. **Zet alle bewegende onderdelen vast alvorens het gereedschap te dragen.**
  7. **De aanslagen die de zaagkop in de onderste stand vergrendelt, wordt alleen gebruikt voor het dragen en opbergen van het gereedschap en niet voor zaagbedieningen.**

8. Controleer vóór het gebruik het zaagblad zorgvuldig op barsten of beschadiging. Vervang een gebarsen of beschadigd zaagblad onmiddellijk. Gom of hars dat op het zaagblad is opgedroogd vertraagt het zaagblad en verhoogt de kans op terugslag. Houd het zaagblad schoon door dit eerst van het gereedschap te demonteren en het vervolgens schoon te maken met een schoonmaakmiddel voor gom en hars, heet water of kerosine. Gebruik nooit benzine om het zaagblad schoon te maken.
  9. Gebruik alleen flenzen die voor dit gereedschap zijn bestemd.
  10. Pas op dat u de as, de flenzen (vooral hun montagevlak) of de bout niet beschadigt. Beschadiging van deze onderdelen kan zaagbladbreuk veroorzaken.
  11. Zorg dat het draaibaar voetstuk goed vastgezet is, zodat het tijdens het zagen niet kan bewegen. Gebruik de gaten in het voetstuk om de zaag te bevestigen op een stevig werkplatform of een stevige werkbank. Gebruik het gereedschap NOOIT wanneer de gebruiker in een ongemakkelijke houding moet staan.
  12. Zet de asblokkering in de vrije stand alvorens de schakelaar in te drukken.
  13. Zorg ervoor dat het zaagblad in zijn laagste positie niet in aanraking komt met het draaibaar voetstuk.
  14. Houd het handvat stevig vast. Denk eraan dat de zaag bij het starten en stoppen even op- en neergaat.
  15. Zorg dat het zaagblad bij het inschakelen niet in contact is met het werkstuk.
  16. Laat het gereedschap een tijdje draaien alvorens het op het werkstuk te gebruiken. Controleer op trillingen of schommelingen die op onjuiste montage of op een slecht uitgebalanceerd zaagblad kunnen wijzen.
  17. Stop onmiddellijk met zagen indien u iets abnormaals opmerkt.
  18. Probeer niet om de trekkerschakelaar in de ingeschakeld stand te vergrendelen.
  19. Gebruik uitsluitend de accessoires die in deze gebruiksaanwijzing worden aanbevolen. Het gebruik van ongeschikte accessoires, zoals slijpschijven, kan letsel veroorzaken.
  20. Sommige materialen bevatten chemische stoffen die giftig kunnen zijn. Wees voorzichtig dat u geen stof inademt en het stof niet op uw huid komt. Volg de veiligheidsinstructies van de leverancier van het materiaal op.
- Aanvullende veiligheidsvoorschriften voor een laser**
1. **LASERSTRALING: KIJK NIET IN DE LASERSTRAAL EN KIJK NIET DOOR OPTISCHE INSTRUMENTEN RECHTSTREEKS NAAR DE LASERSTRAAL. LASERPRODUCT VAN KLASSE 2M.**

## BEWAAR DEZE INSTRUCTIES.

**⚠ WAARSCHUWING:** Laat u NIET misleiden door een vals gevoel van comfort en bekendheid met het gereedschap (na veelvuldig gebruik) en neem alle veiligheidsvoorschriften van het betreffende gereedschap altijd strikt in acht. **VERKEERD GEBRUIK** of het niet naleven van de veiligheidsvoorschriften in deze gebruiksaanwijzing kan leiden tot ernstig persoonlijk letsel.

## BEVESTIGEN

### Op een werktafel bevestigen

In de fabriek is het handvat vergrendeld in de onderste stand met behulp van de handvatvergrendeling. Ontgrendel de handvatvergrendeling door het handvat iets omlaag te duwen en de handvatvergrendeling naar de ontgrendelde stand te draaien.

► **Fig.2:** 1. Handvatvergrendeling

Dit gereedschap moet met vier bouten worden gemonteerd op een horizontale en stabiele ondergrond met gebruikmaking van de boutgaten in het voetstuk van het gereedschap. Hierdoor wordt voorkomen dat het gereedschap kan omvallen en letsel kan veroorzaken.

► **Fig.3:** 1. Bout

## BESCHRIJVING VAN DE FUNCTIES

### ⚠ LET OP:

- Zorg ervoor dat het gereedschap is uitgeschakeld en de stekker uit het stopcontact is getrokken voordat u de werking van het gereedschap aanpast of controleert.

### Beschermkap

► **Fig.4:** 1. Beschermkap

Wanneer u het handvat omlaag duwt, gaat de beschermkap automatisch omhoog. De beschermkap is veerbelast zodat zij naar haar oorspronkelijke positie terugkeert wanneer het zagen voltooid is en het handvat omhoog wordt gebracht. NOOIT DE WERKING VAN DE BESCHERMKAP OF DE DAARAAN BEVESTIGDE VEER HINDEREN OF DEZE VERWIJDEREN.

Omwille van uw persoonlijke veiligheid zorgt u ervoor dat de beschermkap altijd goed werkt. Iedere onregelmatigheid in de werking van de beschermkap moet onmiddellijk worden gecorrigeerd. Controleer of de veer goed werkt zodat de beschermkap goed terugkeert. **GEBRUIK HET GEREEDSCHAP NOOIT WANNEER DE BESCHERMKAP OF DE VEER BESCHADIGD, DEFECT OF VERWIJDERD IS. DIT TOCH DOEN IS UITERST GEVAARLIJK EN KAN LEIDEN TOT ERNSTIG PERSOONLIJK LETSEL.**

Als de doorzichtige beschermkap vuil is geworden of er zaagsel aan kleeft zodat het zaagblad niet meer goed zichtbaar is, trekt u de stekker van het gereedschap uit het stopcontact en maakt u de beschermkap voorzichtig schoon met een vochtige doek. Gebruik geen oplosmiddelen of op petroleum gebaseerde schoonmaakmiddelen of de kunststoffen beschermkap.

Als de beschermkap bijzonder vuil is en u er niet meer doorheen kunt kijken, gebruikt u de bijgeleverde dop sleutel om de zeskantbout los te draaien waarmee de middenkap is bevestigd. Draai de zeskantbout los door deze linksom te draaien en til de beschermkap en middenkap op. Met de beschermkap in deze stand kan deze effectiever en vollediger worden schoongemaakt. Nadat u klaar bent met het schoonmaken, voert u de bovenstaande procedure in omgekeerde volgorde uit en draait u de bout weer vast. Verwijder de veer van de beschermkap niet. Als de beschermkap van kleur is veranderd door ouderdom of blootstelling aan ultravioletlicht, neemt u contact op met een Makita-servicecentrum om een nieuwe beschermkap te bestellen. **DE BESCHERMKAP NOOIT VASTZETTEN OF VERWIJDEREN.**

► **Fig.5:** 1. Beschermkap

## Zaagsnedeplaat

### ► Fig.6: 1. Draaibaar voetstuk 2. Zaagsnedeplaat

Dit gereedschap is voorzien van een zaagsnedeplaat in het draaibaar voetstuk om splinteren aan de uitzangzijde van de zaagsnede te minimaliseren. Als de zaagsnedegroef in de fabriek nog niet is aangebracht in de zaagsnedeplaat, moet u de groef zelf maken voordat u met het gereedschap een werkstuk zaagt. Schakel het gereedschap in en breng het zaagblad langzaam omlaag om een zaagsnede te maken in de zaagsnedeplaat.

## Een maximale zaagdiepte behouden

### ► Fig.7: 1. Tandwielhuis 2. Zeskantmoer 3. Stelbout

### ► Fig.8: 1. Bovenoppervlak van draaibaar voetstuk 2. Rand van zaagblad 3. Geleider

Dit gereedschap is in de fabriek afgesteld om de maximale zaagdikte te leveren met een zaagblad met een diameter van 355 mm.

Controleer bij het monteren van een nieuw zaagblad altijd de onderste stand van het zaagblad en stel deze zo nodig als volgt af:

Trek eerst de stekker van het gereedschap uit het stopcontact. Breng het handvat zo ver mogelijk omlaag. Draai de zeskantmoer op de achterkant van het tandwielhuis los. Gebruik een schroevendraaier om de stelbout te draaien totdat de rand van het zaagblad tot net onder het bovenoppervlak van het draaibaar voetstuk komt op het punt waar de voorzijde van de geleider raakt aan het bovenoppervlak van het draaibaar voetstuk.

Houd, terwijl de stekker van het gereedschap uit het stopcontact is getrokken, het handvat helemaal omlaag gedrukt en draai het zaagblad met de hand rond om u ervan te verzekeren dat het zaagblad geen enkel onderdeel van het onderste voetstuk raakt. Stel opnieuw een beetje af, indien nodig.

Draai na het afstellen de zeskantmoer vast met de sleutel terwijl u de stelbout op zijn plaats houdt met de schroevendraaier.

Verzeker u er op dat moment van dat het handvat in de onderste stand kan worden vergrendeld door de handvatvergrendeling te draaien. Als het handvat niet kan worden vergrendeld, draait u de stelbout zodat het handvat in de onderste stand kan worden vergrendeld.

### ▲LET OP:

- Na het aanbrengen van een nieuw zaagblad controleert u altijd dat het zaagblad geen enkel onderdeel van het voetstuk raakt wanneer het handvat helemaal omlaag wordt geduwd. Doe dit alleen wanneer de stekker van het gereedschap uit het stopcontact is getrokken.

## Afstellen van de verstekhoek

### ► Fig.9: 1. Wijzer 2. Vergrendelknop 3. Verstekhoekschaal 4. Handgreep

Draai de handgreep los door hem linksom te draaien. Houd de vergrendelhendel ingedrukt en draai het draaibaar voetstuk. Nadat u de handgreep hebt gedraaid naar de positie waarop de wijzer de gewenste hoek op de horizontaal-verstekschaalverdeling aangeeft, draait u de handgreep stevig rechtsom vast.

### ▲LET OP:

- Voor het verdraaien van het draaibaar voetstuk dient u het handvat volledig omhoog te brengen.
- Na het wijzigen van de verstekhoek, dient u het draaibaar voetstuk altijd vast te zetten door de handgreep stevig vast te draaien.

## Geleiderplaat

De geleiderplaat is ontworpen om te voorkomen dat kleinere houtsnippers vast komen te zitten binnenin het zaagbladhuis. De geleiderplaat beweegt automatisch naar links of rechts wanneer het draaibaar voetstuk wordt gedraaid.

## Werking van de schakelaar

### ▲LET OP:

- Controleer altijd, voordat u de stekker van het gereedschap in het stopcontact steekt, of de trekkerschakelaar op de juiste manier schakelt en weer terugkeert naar de uit-stand nadat deze is losgelaten.

### ▲WAARSCHUWING:

- Gebruik het gereedschap NOOIT met een defecte trekkerschakelaar. Ieder gereedschap met een defecte trekkerschakelaar is UITERST GEVAARLIJK en moet worden gerepareerd voordat het gereedschap verder wordt gebruikt.

## Voor gereedschappen met een uit-vergrendelknop

### ► Fig.10: 1. Uit-vergrendelknop 2. Trekkerschakelaar

### ▲LET OP:

- Wanneer het gereedschap niet wordt bediend, verwijdt u de uit-vergrendelknop en bewaart u deze op een veilige plaats. Hiermee wordt onbevoegd gebruik voorkomen.
- Druk de trekkerschakelaar niet hard in zonder dat de uit-vergrendelknop is ingedrukt. Hierdoor kan de schakelaar kapot gaan.

Een uit-vergrendelknop is aanwezig om te voorkomen dat de trekkerschakelaar per ongeluk wordt ingedrukt. Om het gereedschap te starten, drukt u de uit-vergrendelknop in en drukt u vervolgens de trekkerschakelaar in. Laat de trekkerschakelaar los om het gereedschap te stoppen.

### ▲WAARSCHUWING:

- Voor uw veiligheid is dit gereedschap voorzien van een uit-vergrendelknop die ongewild starten van het gereedschap voorkomt. Gebruik het gereedschap NOOIT indien het gaat draaien wanneer u gewoon de trekschakelaar indrukt zonder de uit-vergrendelknop in te drukken. Breng het gereedschap naar een Makita-servicecentrum voor reparatie ALVORENS het verder te gebruiken.
- U mag NOOIT de uit-vergrendelknop met plakband vastzetten of anderszins de werking en functie ervan tenietdoen.

## Voor een gereedschap zonder een uit-vergrendelknop

► Fig.11: 1. Trekkerschakelaar

Schakel het gereedschap in en wacht totdat het zaagblad op maximaal toerental draait. Breng daarna het zaagblad voorzichtig omlaag in de sneede.

Om het gereedschap in te schakelen, knijpt u gewoon de trekkerschakelaar in. Laat de trekkerschakelaar los om het gereedschap te stoppen.

## MONTAGE

### ▲ LET OP:

- Zorg altijd dat het gereedschap is uitgeschakeld en de stekker uit het stopcontact is getrokken alvorens enige werkzaamheden aan het gereedschap uit te voeren.

## Het zaagblad aanbrengen en verwijderen

### ▲ LET OP:

- Controleer altijd of het gereedschap is uitgeschakeld en de stekker uit het stopcontact is getrokken alvorens het zaagblad aan te brengen of te verwijderen.
- Gebruik voor het aanbrengen of verwijderen van het zaagblad uitsluitend de bijgeleverde Makita-dopsleutel. Als u dit nalaat, loopt u het risico dat de zeskantbout te vast of onvoldoende vast aangedraaid wordt. Dit kan leiden tot persoonlijk letsel.

## Het zaagblad verwijderen

Als u het zaagblad wilt verwijderen gebruikt u de dopsleutel om de zeskantbout waarmee de middenkap is bevestigd linksom los te draaien. Breng de beschermkap en de middenkap omhoog.

► Fig.12: 1. Dopsleutel

Druk de asvergrendeling in om de as te vergrendelen en gebruik de dopsleutel om de zeskantbout linksom los te draaien. Verwijder daarna de zeskantbout, de buitenflens en het zaagblad.

► Fig.13: 1. Asvergrendeling

► Fig.14: 1. Dopsleutel

## Het zaagblad aanbrengen

Als u een nieuw zaagblad wilt aanbrengen, plaatst u het voorzichtig op de as, waarbij u er goed op let dat de richting van de pijl op de zijkant van het zaagblad overeenkomt met de richting van de pijl op de zaagbladkast. Monteer de buitenflens en zeskantbout en gebruik vervolgens de dopsleutel om de zeskantbout stevig rechtsom vast te draaien terwijl u de asvergrendeling ingedrukt houdt.

► Fig.15: 1. Zaagbladkast 2. Pijl 3. Zaagblad 4. Pijl

## Voor ander dan Europees type

► Fig.16: 1. As 2. Binnenflens 3. Zaagblad  
4. Buitenflens 5. Zeskantbout 6. Markering  
25,4 mm

### ▲ LET OP:

- De binnenflens heeft een diameter van 25 mm één zijde en een diameter van 25,4 mm aan de andere zijde. De zijde van 25,4 mm is gemarkeerd met "25.4". Gebruik de juiste zijde voor de diameter van het gat van het zaagblad dat u gaat gebruiken. Als u het zaagblad op de verkeerde zijde aanbrengt, kan dat leiden tot gevaarlijke trillingen.

## Voor Europees type

► Fig.17: 1. As 2. Binnenflens 3. Zaagblad  
4. Buitenflens 5. Zeskantbout

### ▲ LET OP:

- Zorg ervoor dat het uitsteeksel van 25 mm op de binnenflens dat aan de buitenzijde zit, perfect past in het middengat van 25 mm van het zaagblad. Als u het zaagblad op de verkeerde kant van de binnenflens aanbrengt, kunnen gevaarlijke trillingen het gevolg zijn.

## De beschermkap terugplaatsen

Steek de pen van de beschermkap in de sleuf van de geleidearm terwijl u de beschermkap terugplaatst in zijn oorspronkelijke, geheel gesloten stand. Draai daarna de zeskantbout rechtsom vast om de middenkap vast te zetten. Breng het handvat omlaag om te controleren of de beschermkap goed beweegt. Controleer voordat u begint te zagen of de asvergrendeling de as niet langer vergrendelt.

► Fig.18: 1. Pen 2. Geleidearm

## Een stofzuiger aansluiten

Wanneer u schoon wilt werken, sluit u een Makita-stofzuiger aan.

► Fig.19

## Stofzak

► Fig.20: 1. Mondstuk 2. Stofzak 3. Sluitstrip

Door de stofzak te gebruiken werkt u schoon en kan het zaagsel eenvoudig worden opgeruimd. Om de stofzak te bevestigen, monteert u hem op het mondstuk. Wanneer de stofzak ongeveer halfvol is, maakt u hem los van het gereedschap en trekt u de sluitstrip eruit. Maak de stofzak leeg en tik er zachtjes op voor het verwijderen van achtergebleven stofdeeltjes die verdere stofopvangning zouden kunnen belemmeren.



## Werkstuk vastklemmen

### ⚠ WAARSCHUWING:

- Het is uiterst belangrijk het werkstuk altijd goed en stevig vast te klemmen in de spanschroef. Als u dit niet doet, kan het gereedschap worden beschadigd en/of het werkstuk worden vernield. **DIT KAN TEVENS LEIDEN TOT PERSOONLIJK LETSEL.** Bovendien, nadat u klaar bent met zagen mag u het handvat pas omhoog bewegen nadat het zaagblad volledig tot stilstand is gekomen.

### ⚠ LET OP:

- Als u een lang werkstuk zaagt, gebruikt u steunen die even hoog zijn als het bovenoppervlak van het draaibaar voetstuk. Vertrouw niet alleen op de verticale en/of horizontale spanschroef om het werkstuk op zijn plaats te houden. Dun materiaal hangt gemakkelijk door. Ondersteun het werkstuk over zijn hele lengte om vastklemmen van het zaagblad en mogelijke TERUGSLAG te voorkomen.

► Fig.21: 1. Steun 2. Draaibaar voetstuk

## Horizontale spanschroef (optioneel accessoire)

► Fig.22: 1. Uitsteeksel 2. Spanschroefknop

De horizontale spanschroef kan worden aangebracht aan de linker- of rechterkant van het voetstuk. Als de verstekhoek 15° of groter is, plaatst u de horizontale spanschroef aan de kant tegenover de richting waarin het draaibaar voetstuk wordt gedraaid. Door de knop van de spanschroef linksom te draaien wordt de spanschroef in de vrije stand gezet en kunt u de spanschroefas snel naar binnen en naar buiten bewegen. Door de spanschroefknop rechtsom te draaien wordt de spanschroef vastgezet. Om het werkstuk vast te klemmen, draait u de spanschroefknop langzaam rechtsom totdat het uitsteeksel helemaal bovenaan staat, en daarna draait u de knop stevig vast. Wanneer de spanschroefknop naar binnen of naar buiten wordt getrokken terwijl u hem rechtsom draait, kan het uitsteeksel onder een hoek stoppen. In dit geval draait u de spanschroefknop terug linksom totdat de spanschroef los komt, voordat u hem weer langzaam rechtsom draait.

### ⚠ LET OP:

- Zet het werkstuk alleen vast wanneer het uitsteeksel bovenaan staat. Als u dit niet doet, zal het werkstuk mogelijk niet goed vastgezet zijn. Het werkstuk kan dan weggeslingerd worden, wat kan leiden tot beschadiging van het zaagblad of verlies van controle over het gereedschap, waardoor **PERSOONLIJK LETSEL** kan worden veroorzaakt.

## Verticale spanschroef (optioneel accessoire)

- Fig.23: 1. Spanschroefstang 2. Schroef 3. Geleider 4. Spanschroefknop 5. Spanschroefarm
- Fig.24: 1. Spanschroefstang 2. Schroef 3. Spanschroefknop 4. Spanschroefarm 5. Geleider

De verticale spanschroef kan worden gemonteerd aan de linkerkant of aan de rechterkant van de geleider. Steek de spanschroefstang in het gat in de geleider en draai de schroef vast om de spanschroefstang vast te zetten. Plaats de spanschroefarm overeenkomstig de dikte en vorm van het werkstuk, en zet de spanschroefarm vast door de schroef vast te draaien. Als de schroef voor het vastzetten van de spanschroefarm in aanraking komt met de geleider, moet u de schroef op de tegenovergestelde kant van de spanschroefarm aanbrengen. Controleer dat geen enkel deel van het gereedschap in aanraking komt met de schroef wanneer het handvat tot in de onderste stand omlaag gebracht wordt. Als enig deel de spanschroef raakt, moet u de positie van de spanschroef veranderen. Druk het werkstuk vlak tegen de geleider en het draaibaar voetstuk. Plaats het werkstuk in de gewenste zaagpositie en zet het stevig vast door de spanschroefknop vast te draaien.

### ⚠ LET OP:

- Tijdens alle bedieningen moet het werkstuk door de spanschroef stevig tegen het draaibaar voetstuk en de geleider worden gedrukt.

## De steunstangen aanbrengen (optionele accessoires)

► Fig.25: 1. Steunstang 2. Schroef

Breng de steunstangen aan beide zijanten van het voetstuk aan en zet ze vast met de schroeven.

## BEDIENING

### ⚠ LET OP:

- Voordat u het gereedschap inschakelt, dient u het handvat uit zijn onderste stand te halen door de handvatvergrendeling naar de ontgrendelde stand te draaien.
- Zorg ervoor dat het zaagblad niet in aanraking is met het werkstuk e.d. voordat u de schakelaar inknipt.
- Oefen tijdens het zagen geen overmatige druk op het handvat uit. Wanneer u te hard drukt, kan de motor overbelast raken en/of de zaagefficiëntie afnemen. Duw alleen zo hard als nodig is voor soepel zagen zonder dat het toerental van het zaagblad aanzienlijk vermindert.
- Druk het handvat zachtjes naar beneden om te zagen. Als u het handvat met kracht omlaag drukt of zijwaartse druk erop uitoefent, zal het zaagblad gaan trillen en een vlek (brandplek) op het werkstuk achterlaten, en zal ook de zaagsnede minder nauwkeurig zijn.

## Rechtzagen

### ► Fig.26

Klem het werkstuk vast in de spanschroef. Schakel het gereedschap in zonder dat het zaagblad met het werkstuk in contact is, en wacht totdat het zaagblad op maximaal toerental draait. Breng vervolgens het handvat voorzichtig helemaal omlaag om het werkstuk te zagen. Nadat het zagen klaar is, schakelt u het gereedschap uit en **WACHT U TOTDAT HET ZAAGBLAD VOLLEDIG TOT STILSTAND IS GEKOMEN** voordat u het zaagblad omhoog brengt tot in de hoogste stand.

## Verstekzagen

Zie het gedeelte "Instellen van de verstekhoek" hierboven.

## Aluminiumprofielen zagen

### ► Fig.27: 1. Horizontale spanschroef 2. Vulblok 3. Aluminiumprofiel 4. Geleider

Als u een aluminiumprofiel wilt vastklemmen in de spanschroef, maakt u gebruik van vulblokken of stukken afvalhout, zoals aangegeven in de afbeelding, om te voorkomen dat het aluminiumprofiel vervormt. Gebruik snijolie als smeermiddel bij het zagen van een aluminiumprofiel om te voorkomen dat aluminiumslijpsel zich op het zaagblad ophoopt.

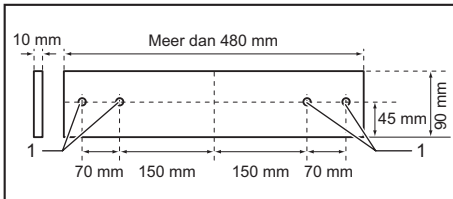
### ▲LET OP:

- Probeer nooit dikke aluminiumprofielen of ronde aluminiumpijpen te zagen. Dikke aluminiumprofielen kunnen losschieten tijdens het zagen en ronde aluminiumprofielen kunnen niet stevig worden vastgeklemd in dit gereedschap.

## Houten bekleding

### ► Fig.28: 1. Geleider 2. Houten bekleding

Het gebruik van een houten hulpstuk helpt om splinter-vrije sneden te krijgen. Gebruik de gaten in de geleider om een houten hulpstuk aan de geleider te bevestigen. Zie de afbeelding voor de afmetingen van een dergelijk houten hulpstuk.



### 1. Gat

### ▲LET OP:

- Gebruik als houten hulpstuk een recht stuk hout van gelijkmatige dikte.
- Bevestig het houten hulpstuk aan de geleider met behulp van schroeven. De schroeven dienen zodanig te worden gemonteerd dat de schroefkoppen onder het oppervlak van het houten hulpstuk liggen.
- Als de houten bekleding op de geleider is bevestigd, mag u het draaibaar voetstuk niet meer draaien terwijl het handvat omlaag staat. Als u dit doet, kan het zaagblad en/of het houten hulpstuk worden beschadigd.

### OPMERKING:

- Wanneer het houten hulpstuk is bevestigd, moeten de maximale zaagdikten in de breedte worden verminderd met de dikte van het houten hulpstuk.

## Steeds dezelfde lengte afzagen

### ► Fig.29: 1. Aanzetplaat 2. Steunstang 3. Schroef

Als u meerdere werkstukken op dezelfde lengte wilt afzagen, van 300 mm tot 400 mm, kunt u efficiënter werken door gebruik te maken van de aanzetplaat (optioneel accessoire). Monteer de aanzetplaat op de steunstang (optioneel accessoire) zoals afgebeeld. Breng de zaaglijn op uw werkstuk op één lijn met de linkerzijde of de rechterzijde van de groef in de zaagsnedeplaat. Houd het werkstuk vast zodat het niet kan bewegen, en plaats de aanzetplaat vlak tegen het einde van het werkstuk. Zet daarna de aanzetplaat vast met de schroef. Wanneer u de aanzetplaat niet gebruikt, draait u de schroef los en draait u de aanzetplaat uit de weg.

### OPMERKING:

- Door de steunstangen en steunstanghouder (optioneel accessoire) te gebruiken, kunt u stukken met dezelfde lengte van maximaal 2.200 mm zagen.

## Het gereedschap dragen

### ► Fig.30: 1. Handvatvergrendeling

Zorg ervoor dat de stekker uit het stopcontact is getrokken. Zet het draaibaar voetstuk met behulp van de handgreep stevig vast op de stand voor rechtzagen. Breng het handvat volledig omlaag en vergrendel het in de onderste stand door de handvatvergrendeling naar de vergrendelde stand te draaien. Draag het gereedschap door beide zijanten van de voetstuk van het gereedschap vast te houden, zoals aangegeven in de afbeelding. Het gereedschap is gemakkelijker om te dragen wanneer u de steunstangen, stofzak, enz., ervan verwijdt.

### ► Fig.31

### ▲LET OP:

- Zet alle bewegende onderdelen vast alvorens het gereedschap te dragen.
- De handvatvergrendeling is uitsluitend bedoeld te worden gebruikt tijdens het dragen en bewaren van het gereedschap, en niet tijdens het zagen.

## ONDERHOUD

### ▲LET OP:

- Zorg altijd dat het gereedschap is uitgeschakeld en de stekker uit het stopcontact is getrokken alvorens te beginnen met onderhoud of inspectie.
- Gebruik nooit benzine, wasbenzine, thinner, alcohol en dergelijke. Hierdoor kunnen verkleuring, vervormingen en barsten worden veroorzaakt.

### ▲WAARSCHUWING:

- Zorg altijd dat het zaagblad scherp en schoon is om optimale en veilige prestaties te krijgen.



## Afstellen van de zaaghoek

Dit gereedschap werd in de fabriek nauwkeurig afgesteld en uitgelijnd, maar door ruwe behandeling kan de uitlijning ervan verslechterd zijn. Doe het volgende indien uw gereedschap niet meer juist is uitgelijnd:

► **Fig.32:** 1. Zeskantbout

Draai de handgreep los waarmee het draaibaar voetstuk is vastgezet. Draai het draaibaar voetstuk zodat de wijzer precies 0° aangeeft op de horizontaal-verstekschaaferdeling. Draai het draaibaar voetstuk vervolgens een beetje naar rechts en naar links zodat hij in de inkeping voor 0° verstek komt te zitten. (Laat het staan zoals het is, ook als de wijzer niet 0° aanwijst.) Draai de zeskantbouten waarmee de geleider is bevestigd los met behulp van de dopsleutel.

Breng het handvat volledig omlaag en vergrendel het in de onderste stand door de handvatvergrendeling naar de vergrendelde stand te draaien. Zet de zijkant van het zaagblad haaks op de voorzijde van de geleider met behulp van een geodriehoek, winkelhaak, enz. Draai vervolgens de zeskantbouten van de geleider op volgorde vast vanaf de rechterkant.

► **Fig.33:** 1. Geleider 2. Geodriehoek

Controleer of de wijzer op de aanwijspaat naar 0° op de verstekhoekschaal wijst. Als de wijzer niet naar 0° wijst, draait u de schroeven los waarmee de aanwijspaat is bevestigd en stelt u deze af zodat de wijzer naar 0° wijst.

► **Fig.34:** 1. Wijzer 2. Schroeven  
3. Verstekhoekschaal

## Het handvat afstellen op een soepele bediening

► **Fig.35:** 1. Tandwielhuis 2. Zeskantborgmoer 3. Arm

De zeskantborgmoer waarmee het tandwielhuis en de arm zijn vastgezet, is in de fabriek zodanig afgesteld dat het handvat soepel omlaag en omhoog bediend kan worden en u verzekerd bent van nauwkeurig zagen. Laat deze onaangeroerd. Mocht de verbinding tussen het tandwielhuis en de arm los gaan zitten, dan voert u de volgende afstelling uit. Beweeg het handvat omlaag en omhoog en draai tegelijkertijd de zeskantborgmoer aan. De beste positie om de zeskantborgmoer aan te draaien is vlak voordat het gewicht van het motorhuis voelbaar wordt.

Nadat u de zeskantborgmoer hebt afgesteld, controleer u dat het handvat automatisch vanuit iedere positie terugkeert naar de bovenste stand. Als de zeskantborgmoer te los zit, wordt de nauwkeurigheid van het zagen nadelig beïnvloed. Als de zeskantborgmoer te vast zit, is het moeilijk het handvat omlaag en omhoog te bewegen. Merk op dat dit een zelfborgende moer is. Het is een speciaal type dat onder normaal gebruik niet los raakt. U mag de borgmoer niet te strak aandraaien of vervangen door een ander soort moer.

## De koolborstels vervangen

► **Fig.36:** 1. Slijtgrensmarkering

Verwijder en controleer de koolborstels regelmatig. Vervang deze wanneer ze tot aan de slijtgrensmarkering zijn afgesleten. Houd de koolborstels schoon en zorg ervoor dat ze vrij kunnen bewegen in de houders. Beide koolborstels dienen tegelijkertijd te worden vervangen. Gebruik alleen identieke koolborstels. Gebruik een schroevendraaier om de koolborsteldoppen te verwijderen. Haal de versleten koolborstels eruit, plaats de nieuwe erin, en zet de koolborsteldoppen goed vast.

► **Fig.37:** 1. Schroevendraaier 2. Koolborsteldop

## Na het gebruik

- Veeg na gebruik alle zaagsel en stof op het gereedschap eraf met een doek of iets dergelijks. Houd de beschermkap schoon volgens de instructies die eerder bij "Beschermkap" werden beschreven. Smeer de schuivende delen in met gereedschapolie om roestvorming te voorkomen.

Om de VEILIGHEID en BETROUWBAARHEID van het gereedschap te handhaven, dienen alle reparaties, onderhoud of afstellingen te worden uitgevoerd door een erkend Makita-servicecentrum, en altijd met gebruikmaking van originele Makita-vervangingsonderdelen.

## OPTIONELE ACCESSOIRES

**⚠WAARSCHUWING:** Deze Makita-accessoires of hulpstukken worden aanbevolen voor gebruik met het Makita-gereedschap dat in deze gebruiksaanwijzing is beschreven. Het gebruik van enige andere accessoires of hulpstukken kan leiden tot ernstig persoonlijk letsel.

**⚠WAARSCHUWING:** Gebruik de Makita-accessoires of -hulpstukken uitsluitend voor de aangegeven gebruiksdoeleinden. Misbruik van een accessoire of hulpstuk kan leiden tot ernstig persoonlijk letsel.

Wenst u meer bijzonderheden over deze accessoires, neem dan contact op met het plaatselijke Makita-servicecentrum.

- Hardmetalen zaagbladen (Raadpleeg onze website of neem contact op met uw plaatselijke Makita-dealer voor de correcte zaagbladen die moeten worden gebruikt voor het te zagen materiaal.)
- Dopsleutel
- Set steunstangen
- Aanzetplaat
- Stofzak
- Geodriehoek
- Spanschroef, compleet (horizontale spanschroef)
- Spanschroef, compleet (verticale spanschroef)
- Uit-vergrendelknop (2 stuks)

**OPMERKING:**

- Sommige items op de lijst kunnen zijn inbegrepen in de doos van het gereedschap als standaard toebehoren. Deze kunnen van land tot land verschillen.

## ESPECIFICACIONES

Modelo	LS1440	
Diámetro del disco	355 mm	
Diámetro del agujero	Para países excepto los europeos	25 mm o 25,4 mm (Específico para cada país)
	Para países europeos	25 mm
Grosor máximo de la henditura del disco	3,4 mm	
Ángulo de inglete máx.	Izquierdo 45°, Derecho 45°	
Velocidad en vacío	3.900 min <sup>-1</sup>	
Dimensiones (La x An x Al)	596 mm x 550 mm x 630 mm	
Peso neto	33,1 kg	
Clase de seguridad	□/II	







- Debido a nuestro continuado programa de investigación y desarrollo, las especificaciones aquí dadas están sujetas a cambios sin previo aviso.
- Las especificaciones pueden ser diferentes de país a país.
- Peso de acuerdo con el procedimiento EPTA 01/2014

### Capacidades de corte máx. (Al x An)

Ángulo de inglete	
0°	45° (izquierdo y derecho)
122 mm x 152 mm	122 mm x 115 mm

### Símbolos

A continuación se muestran los símbolos utilizados con este equipo. Asegúrese de que entiende su significado antes de usarlo.

	Lea el manual de instrucciones.
	DOBLE AISLAMIENTO
	Para evitar heridas causadas por restos que salen volando, siga sujetando el cabezal de la sierra en posición bajada, después de hacer cortes, hasta que el disco se haya parado completamente.
	No ponga la mano o los dedos cerca del disco.
	Por su propia seguridad, antes de iniciar la operación retire las virutas, trozos pequeños, etc. de la parte superior de la mesa.
	Solamente para países de la UE ¡No deseche los aparatos eléctricos junto con los residuos domésticos! De conformidad con la Directiva Europea, sobre residuos de aparatos eléctricos y electrónicos y su aplicación de acuerdo con la legislación nacional, los aparatos eléctricos cuya vida útil haya llegado a su fin deberán ser recogidos por separado y trasladados a una planta de reciclaje que cumpla con las exigencias ecológicas.

### Uso previsto

La herramienta ha sido prevista para hacer cortes precisos rectos y de inglete en madera. Con los discos apropiados, también se puede serrar aluminio.

### Alimentación

La herramienta deberá ser conectada solamente a una fuente de alimentación de la misma tensión que la indicada en la placa de características, y solamente puede ser utilizada con alimentación de CA monofásica. La herramienta tiene doble aislamiento y puede, por lo tanto, utilizarse también en tomas de corriente sin conductor de tierra.

### Para sistemas de distribución públicos de baja tensión de entre 220 V y 250 V

Las operaciones de encendido y apagado de los aparatos eléctricos ocasionan fluctuaciones de tensión. La operación de este dispositivo en condiciones desfavorables de corriente puede afectar adversamente a la operación de otros equipos. Con una impedancia eléctrica igual o inferior a 0,39 ohmios, se puede asumir que no surgirán efectos negativos. La toma de corriente utilizada para este dispositivo deberá estar protegida con un fusible o disyuntor de protección que tenga unas características de desconexión lenta.

### Ruido

El nivel de ruido A-ponderado típico determinado de acuerdo con la norma EN62841-3-9:  
 Nivel de presión sonora ( $L_{pA}$ ) : 94 dB (A)  
 Nivel de potencia sonora ( $L_{WA}$ ) : 105 dB (A)  
 Error (K) : 3 dB (A)

**NOTA:** El valor (o los valores) de emisión de ruido declarado ha sido medido de acuerdo con un método de prueba estándar y se puede utilizar para comparar una herramienta con otra.

**NOTA:** El valor (o valores) de emisión de ruido declarado también se puede utilizar en una valoración preliminar de exposición.

**⚠ADVERTENCIA:** Póngase protectores para oídos.

**⚠ADVERTENCIA:** La emisión de ruido durante la utilización real de la herramienta eléctrica puede variar del valor (o los valores) de emisión declarado dependiendo de las formas en las que la herramienta sea utilizada, especialmente qué tipo de pieza de trabajo se procesa.

**⚠ADVERTENCIA:** Asegúrese de identificar medidas de seguridad para proteger al operario que estén basadas en una estimación de la exposición en las condiciones reales de utilización (teniendo en cuenta todas las partes del ciclo operativo como las veces cuando la herramienta está apagada y cuando está funcionando en vacío además del tiempo de gatillo).

## Vibración

El valor total de la vibración (suma de vectores triaxiales) determinado de acuerdo con la norma EN62841-3-9:

Emisión de vibración ( $a_{h,r}$ ): 2,5 m/s<sup>2</sup>

Error (K): 1,5 m/s<sup>2</sup>

**NOTA:** El valor (o los valores) total de emisión de vibración declarado ha sido medido de acuerdo con un método de prueba estándar y se puede utilizar para comparar una herramienta con otra.

**NOTA:** El valor (o los valores) total de emisión de vibración declarado también se puede utilizar en una valoración preliminar de exposición.

**⚠ADVERTENCIA:** La emisión de vibración durante la utilización real de la herramienta eléctrica puede variar del valor (o los valores) de emisión declarado dependiendo de las formas en las que la herramienta sea utilizada, especialmente qué tipo de pieza de trabajo se procesa.

**⚠ADVERTENCIA:** Asegúrese de identificar medidas de seguridad para proteger al operario que estén basadas en una estimación de la exposición en las condiciones reales de utilización (teniendo en cuenta todas las partes del ciclo operativo como las veces cuando la herramienta está apagada y cuando está funcionando en vacío además del tiempo de gatillo).

## Declaración CE de conformidad

### Para países europeos solamente

La declaración CE de conformidad está incluida como Anexo A de esta manual de instrucciones.

## Advertencias de seguridad para herramientas eléctricas en general

**⚠ADVERTENCIA:** Lea todas las advertencias de seguridad, instrucciones, ilustraciones y especificaciones provistas con esta herramienta eléctrica. Si no sigue todas las instrucciones indicadas abajo podrá resultar en una descarga eléctrica, un incendio y/o heridas graves.

## Guarde todas las advertencias e instrucciones para futuras referencias.

El término "herramienta eléctrica" en las advertencias se refiere a su herramienta eléctrica de funcionamiento con conexión a la red eléctrica (con cable) o herramienta eléctrica de funcionamiento a batería (sin cable).

## Instrucciones de seguridad para las sierras de inglete

1. Las sierras de inglete han sido previstas para cortar madera o productos semejantes a la madera, no han sido previstas para ser utilizadas con muelas de corte abrasivas para cortar materiales ferrosos tales como barras, vástagos, espárragos roscados, etc. El polvo abrasivo ocasiona que las partes móviles tal como el protector inferior se atasquen. Las chispas del corte abrasivo quemarán el protector inferior, la inserción de hendidura y otras partes de plástico.
2. Utilice abrazaderas para sostener la pieza de trabajo siempre que sea posible. Si sostiene la pieza de trabajo con la mano, deberá mantener la mano siempre a al menos 100 mm de cualquiera de los lados del disco. No utilice esta sierra para cortar piezas que sean demasiado pequeñas para ser fijadas firmemente o sujetadas con la mano. Si pone la mano demasiado cerca del disco, aumentará el riesgo de heridas producidas por el contacto con el disco.
3. La pieza de trabajo debe estar inmóvil y fijada o sujeta contra la guía y la mesa. No avance la pieza de trabajo hacia el disco o corte "a pulso" de ninguna forma. Las piezas de trabajo sin sujetar o moviéndose pueden ser lanzadas a grandes velocidades, causando heridas.
4. No cruce nunca la mano sobre la línea de corte prevista ya sea por delante o por detrás del disco. El sostener la pieza de trabajo con la "mano cruzada", por ejemplo, sujetando la pieza de trabajo por la derecha del disco con la mano izquierda o viceversa es muy peligroso.

### ► Fig.1

5. No extienda ninguna de las manos por detrás de la guía hasta más cerca de 100 mm de cualquiera de los lados del disco, para retirar restos de madera, o por cualquier otra razón mientras el disco está girando. La proximidad a su mano del disco girando puede no ser obvia y usted se puede herir gravemente.
6. Inspeccione su pieza de trabajo antes de cortar. Si la pieza de trabajo está curvada o combada, fijela con la cara curvada exterior hacia la guía. Asegúrese siempre de que no hay holgura entre la pieza de trabajo, la guía y la mesa a lo largo de la línea del corte. Las piezas de trabajo curvadas o combadas se pueden retorcer o cambiar de posición y pueden ocasionar que el disco girando se trabe mientras corta. No debe haber clavos u objetos extraños en la pieza de trabajo.

7. **No utilice la sierra hasta que la mesa esté despejada de todas las herramientas, restos de madera, etc., excepto la pieza de trabajo.** Los restos pequeños o trozos de madera sueltos u otros objetos que entren en contacto con el disco mientras está girando pueden salir lanzados a gran velocidad.
  8. **Corte solamente una pieza de trabajo al mismo tiempo.** Múltiples piezas de trabajo apiladas no se pueden fijar o sujetar debidamente y se pueden trabar en el disco o cambiar de posición durante el corte.
  9. **Asegúrese de que la sierra de inglete está montada o colocada sobre una superficie de trabajo nivelada y firme antes de utilizar.** Una superficie de trabajo nivelada y firme reduce el riesgo de que la sierra de inglete se vuelva inestable.
  10. **Planee su trabajo. Cada vez que cambie el ajuste del ángulo de bisel o inglete, asegúrese de que la guía ajustable esté ajustada correctamente para sostener la pieza de trabajo y que no va a interferir con el disco o el sistema de protección.** Sin "ENCENDER" la herramienta y sin pieza de trabajo encima de la mesa, mueva el disco a través de un corte simulado completo para asegurarse de que no va a haber interferencia o peligro de cortar la guía.
  11. **Proporcione un apoyo adecuado tales como extensiones de mesa, caballetes, etc., para una pieza de trabajo que sea más ancha o larga que la parte superior de la mesa.** Las piezas de trabajo más largas o anchas que la mesa de la sierra de inglete se pueden ladear si no se apoyan firmemente. Si la pieza cortada o la pieza de trabajo se ladea, podrá levantar el protector inferior o ser lanzada por el disco que está girando.
  12. **No utilice a otra persona como sustitución de una mesa de extensión o como apoyo adicional.** Un apoyo inestable de la pieza de trabajo puede ocasionar que el disco se trabe o que la pieza de trabajo cambie de posición durante la operación de corte arrastrando a usted y al ayudante hacia el disco que está girando.
  13. **La pieza cortada no deberá ser empujada o presionada de ningún modo contra el disco que está girando.** Si se confina, por ejemplo, utilizando topes de longitud, la pieza cortada puede incrustarse contra el disco y ser lanzada violentamente.
  14. **Asegúrese siempre de utilizar una abrazadera o accesorio designado para sostener debidamente material redondo tales como vástagos o tubos.** Los vástagos tienen tendencia a rodar mientras están siendo cortados, ocasionando que el disco "muerta" y tire de la pieza de trabajo junto con su mano hacia el disco.
  15. **Deje que el disco alcance plena velocidad antes de que haga contacto con la pieza de trabajo.** Esto reducirá el riesgo de que la pieza de trabajo sea lanzada.
  16. **Si la pieza de trabajo o el disco se atasca, apague la sierra de inglete. Espere hasta que todas las partes móviles se detengan y desconecte la clavija de la fuente de alimentación y/o retire la batería.** Después realice la tarea de liberar el material atascado. Si continúa serrando con una pieza de trabajo atascada podrá ocasionar la pérdida de control o daños a la sierra de inglete.
  17. **Después de terminar el corte, libere el interruptor, mantenga el cabezal de la sierra bajado y espere hasta que el disco se detenga antes de retirar la pieza cortada.** El alargar la mano hasta cerca del disco que está girando por inercia es peligroso.
  18. **Sujete la empuñadura firmemente cuando haga un corte incompleto o cuando libere el interruptor antes de que el cabezal de la sierra esté completamente en la posición bajada.** La acción de frenado de la sierra puede ocasionar que el cabezal de la sierra sea arrastrado repentinamente hacia abajo, ocasionando un riesgo de heridas.
  19. **Utilice solamente el disco de sierra con el diámetro que está marcado en la herramienta o especificado en el manual.** La utilización de un disco de tamaño incorrecto puede afectar a la protección apropiada del disco o a la operación del protector lo que puede resultar en heridas personales graves.
  20. **Utilice solamente discos que tengan marcada una velocidad igual o mayor que la velocidad marcada en la herramienta.**
  21. **No utilice la sierra para cortar otra cosa que no sea madera, aluminio y materiales similares.**
  22. **(Para países de Europa solamente) Utilice siempre el disco que cumpla con EN847-1.**
- Instrucciones adicionales**
1. **Haga el taller a prueba de niños utilizando candados.**
  2. **No se ponga nunca encima de la herramienta.** Si la herramienta se vuelca o si se hace contacto involuntario con el implemento de corte se podrán producir heridas graves.
  3. **No deje nunca la herramienta en marcha sin atender.** Desconecte la alimentación. No deje la herramienta hasta que se haya detenido completamente.
  4. **No utilice la sierra sin los protectores puestos.** Compruebe que el protector de disco se cierra debidamente antes de cada uso. No utilice la sierra si el protector de disco no se mueve libremente y se cierra instantáneamente. No sujete ni ate nunca el protector de disco en la posición abierta.
  5. **Mantenga las manos apartadas del recorrido del disco.** Evite el contacto con cualquier disco cuando esté girando por inercia. Incluso entonces puede causar heridas graves.
  6. **Sujete siempre todas las partes móviles antes de transportar la herramienta.**
  7. **El pasador de retención que bloquea el cabezal de corte en posición bajada es solamente para transportar y almacenar la herramienta y no para ninguna operación de corte.**
  8. **Compruebe el disco cuidadosamente por si tiene grietas o daños antes de comenzar la operación.** Reemplace el disco agrietado o dañado inmediatamente. La goma y resina de madera endurecida en los discos ralentiza la sierra y aumenta la posibilidad de que se produzca un retroceso brusco. Mantenga el disco limpio retirándolo primero de la herramienta, después límpielo con un eliminador de goma y resina, agua caliente o keroseno. No utilice nunca gasolina para limpiar el disco.

9. Utilice solamente las bridas especificadas para esta herramienta.
10. Tenga cuidado de no dañar el eje, las bridas (en especial la superficie de instalación) o el perno. Los daños en estas piezas pueden resultar en rotura del disco.
11. Asegúrese de que la base giratoria está debidamente sujeta de forma que no se mueva durante la operación. Utilice los agujeros en la base para sujetar la sierra a una plataforma o banco de trabajo estable. No utilice NUNCA la herramienta donde la postura del operario no sea práctica.
12. Antes de activar el interruptor, asegúrese de que el bloqueo del eje está quitado.
13. Asegúrese de que el disco no toca la base giratoria cuando está en la posición más baja.
14. Sujete la empuñadura firmemente. Tenga presente que la sierra se mueve un poco hacia arriba y hacia abajo durante el inicio y la parada.
15. Asegúrese de que el disco no está tocando la pieza de trabajo antes de activar el interruptor.
16. Antes de utilizar la herramienta en la pieza de trabajo definitiva, déjala funcionar durante un rato. Observe para ver si se producen vibraciones o bamboleos que puedan indicar que el disco está mal instalado o mal equilibrado.
17. Detenga la operación inmediatamente si nota algo anormal.
18. No intente bloquear el gatillo en la posición "ACTIVADA".
19. Utilice siempre los accesorios recomendados en este manual. La utilización de accesorios incorrectos como muelas abrasivas puede ocasionar heridas.
20. Algunos materiales contienen sustancias químicas que pueden ser tóxicas. Tenga precaución para evitar la inhalación de polvo y el contacto con la piel. Siga los datos de seguridad del abastecedor del material.

#### Normas de seguridad adicionales para el láser

1. **RADIACIÓN LÁSER, NO QUEDARSE MIRANDO AL HAZ O MIRAR DIRECTAMENTE CON INSTRUMENTOS ÓPTICOS, PRODUCTO LÁSER CLASE 2M.**

## GUARDE ESTAS INSTRUCCIONES.

**⚠️ ADVERTENCIA:** NO deje que la comodidad o familiaridad con el producto (a base de utilizarlo repetidamente) sustituya la estricta observancia de las normas de seguridad para el producto en cuestión. El MAL USO o el no seguir las normas de seguridad establecidas en este manual de instrucciones podrá ocasionar graves heridas personales.

# INSTALACIÓN

## Montaje en un banco de trabajo

Cuando la herramienta sale de fábrica, la empuñadura está bloqueada en la posición bajada con el seguro de la empuñadura. Libere el seguro de la empuñadura bajando ligeramente la empuñadura y gire el seguro de la empuñadura hasta la posición liberada.

► **Fig.2:** 1. Seguro de la empuñadura

Esta herramienta se deberá fijar con cuatro pernos en una superficie nivelada y estable utilizando los agujeros para pernos provistos en la base de la herramienta. Esto ayudará a evitar que se vuelque y pueda ocasionar heridas.

► **Fig.3:** 1. Perno

# DESCRIPCIÓN DEL FUNCIONAMIENTO

## ⚠️ PRECAUCIÓN:

- Asegúrese siempre de que la herramienta está apagada y desenchufada antes de ajustar o comprobar la función de la herramienta.

## Protector de disco

► **Fig.4:** 1. Protector de disco

Al bajar la empuñadura, el protector de disco se sube automáticamente. El protector se acciona por resorte por lo que retorna a su posición original cuando se completa el corte y se sube la empuñadura. **NO ANULE O RETIRE NUNCA EL PROTECTOR DE DISCO O EL RESORTE QUE HAY EN EL PROTECTOR.**

En beneficio de su seguridad personal, mantenga el protector de disco siempre en buen estado. Cualquier operación irregular del protector de disco deberá ser corregida inmediatamente. Compruebe para asegurarse de que el protector retorna accionado por resorte. **NO UTILICE NUNCA LA HERRAMIENTA SI EL PROTECTOR DE DISCO O EL RESORTE ESTÁ DAÑADO, DEFECTUOSO O HA SIDO RETIRADO. HACERLO ES MUY PELIGROSO Y PUEDE OCASIONAR HERIDAS PERSONALES GRAVES.**

Si el protector de disco transparente se ensucia, o si se adhiere a él serrín de tal forma que no pueda verse fácilmente el disco, desenchufe la sierra y limpie el protector cuidadosamente con un paño húmedo. No utilice disolventes ni ningún producto de limpieza a base de petróleo para limpiar el protector de plástico.

Si el protector de disco está especialmente sucio y la visión a través del protector se ve afectada, utilice la llave de tubo suministrada para aflojar el perno de cabeza hexagonal que sujeta la cubierta central. Afloje el perno de cabeza hexagonal girándolo hacia la izquierda y suba el protector de disco y la cubierta central. Con el protector de disco en esta posición, la limpieza se puede hacer de forma más completa y eficiente. Cuando haya completado la limpieza, invierta el procedimiento de arriba y apriete el perno. No retire el resorte que sujeta el protector de disco. Si el protector de disco se descolora con el paso del tiempo o por la exposición a los rayos ultravioleta, póngase en contacto con el centro de servicio Makita para adquirir un protector nuevo. **NO ANULE NI RETIRE EL PROTECTOR.**

► **Fig.5:** 1. Protector de disco



## Placa de corte

### ► Fig.6: 1. Base giratoria 2. Placa de corte

Esta herramienta se provee con la placa de corte en la base giratoria para minimizar el desgarro en el lado de salida de un corte. Si la ranura para corte en la placa de corte no ha sido hecha en fábrica, usted deberá hacer la ranura antes de utilizar la herramienta para cortar una pieza de trabajo. Encienda la herramienta y baje el disco con cuidado para hacer una ranura en la placa de corte.

## Para mantener la máxima capacidad de corte

### ► Fig.7: 1. Alojamiento del engranaje 2. Tuerca hexagonal 3. Perno de ajuste

### ► Fig.8: 1. Parte superior de la base giratoria 2. Periferia del disco 3. Guía lateral

Esta herramienta se ajusta en fábrica para lograr su capacidad de corte máxima con un disco de 355 mm. Cuando instale un disco nuevo, compruebe siempre la posición límite inferior del disco, y si es necesario, ajústela de la forma siguiente:

Primero, desenchufe la herramienta. Baje la empuñadura completamente. Afloje la tuerca hexagonal en la parte trasera del alojamiento del engranaje. Gire el perno de ajuste utilizando un destornillador hasta que la periferia del disco esté ligeramente por debajo de la parte superior de la base giratoria en el punto donde la cara delantera de la guía lateral se encuentra con la parte superior de la base giratoria. Con la herramienta desenchufada, gire el disco con la mano mientras mantiene la empuñadura bajada completamente para asegurarse de que el disco no hace contacto con ninguna parte de la base inferior. Reajuste ligeramente, si es necesario. Después de ajustar, apriete la tuerca hexagonal con la llave mientras sujeta con cuidado el perno de ajuste en posición con el destornillador.

En este momento, asegúrese de que la empuñadura se puede bloquear en la posición bajada girando el seguro de la empuñadura. Si la empuñadura no se puede bloquear así, gire el perno de ajuste de manera que la empuñadura se pueda bloquear en la posición bajada.

### ▲PRECAUCIÓN:

- Después de instalar un disco nuevo, asegúrese siempre de que el disco no hace contacto con ninguna parte de la base inferior cuando la empuñadura está bajada completamente. Haga esto siempre con la herramienta desenchufada.

## Ajuste del ángulo de inglete

### ► Fig.9: 1. Flecha 2. Palanca de bloqueo 3. Escala de inglete 4. Mango

Afloje el mango girándolo hacia la izquierda. Gire la base giratoria mientras presiona hacia abajo la palanca de bloqueo. Cuando haya movido el mango a la posición donde el puntero apunta al ángulo deseado en la escala de inglete, apriete firmemente el mango hacia la derecha.

### ▲PRECAUCIÓN:

- Cuando vaya a girar la base giratoria, asegúrese de subir la empuñadura completamente.
- Después de cambiar el ángulo de inglete, sujete siempre la base giratoria apretando el mango completamente.

## Placa de guía

La placa de guía ha sido diseñada para evitar que restos más pequeños de corte se atasquen dentro de la caja del disco. La placa de guía se mueve hacia la derecha o hacia la izquierda automáticamente al girar la base giratoria.

## Accionamiento del interruptor

### ▲PRECAUCIÓN:

- Antes de enchufar la herramienta, compruebe siempre para cerciorarse de que el gatillo interruptor se acciona debidamente y que vuelve a la posición "apagada" cuando lo suelta.

### ▲ADVERTENCIA:

- No utilice NUNCA la herramienta si el gatillo interruptor no funciona perfectamente bien. Cualquier herramienta con un interruptor que no funcione bien será MUY PELIGROSA y deberá ser reparada antes de seguir utilizándola.

## Para herramienta con botón de desbloqueo

### ► Fig.10: 1. Botón de desbloqueo 2. Interruptor disparador

### ▲PRECAUCIÓN:

- Cuando no esté utilizando la herramienta, retire el botón de desbloqueo y guárdelo en un lugar seguro. Esto impedirá la utilización no autorizada.
- No apriete con fuerza el gatillo interruptor sin presionar hacia dentro el botón de desbloqueo. Podría romper el interruptor.

Para evitar que el gatillo interruptor pueda accionarse accidentalmente, se ha provisto un botón de desbloqueo. Para poner en marcha la herramienta, presione hacia dentro el botón de desbloqueo y apriete el gatillo interruptor. Suelte el gatillo interruptor para parar.

### ▲ADVERTENCIA:

- Por su propia seguridad, esta herramienta está equipada con un botón de desbloqueo que impide que la herramienta pueda ser puesta en marcha de forma involuntaria. No utilice NUNCA la herramienta si se pone en marcha cuando usted simplemente aprieta el gatillo interruptor sin presionar el botón de desbloqueo. Lleve la herramienta a un centro de servicio Makita para que le hagan las reparaciones apropiadas ANTES de seguir utilizándola.
- No sujete NUNCA con cinta o anule la finalidad o la función del botón de desbloqueo.

## Para herramienta sin botón de desbloqueo

### ► Fig.11: 1. Interruptor disparador

Encienda la herramienta y espere hasta que el disco adquiera plena velocidad. Después baje el disco despacio hasta el corte.

Para poner en marcha la herramienta, simplemente apriete el gatillo interruptor. Suelte el gatillo interruptor para parar.

# MONTAJE

## ⚠️ PRECAUCIÓN:

- Asegúrese siempre de que la herramienta está apagada y desenchufada antes de realizar cualquier trabajo en la herramienta.

## Instalación o desmontaje del disco

### ⚠️ PRECAUCIÓN:

- Asegúrese siempre de que la herramienta está apagada y desenchufada antes de instalar o retirar el disco.
- Utilice solamente la llave de tubo Makita provista para instalar o retirar el disco. De lo contrario podrá resultar en un apriete excesivo o insuficiente del perno hexagonal. Esto podría ocasionarle heridas.

## Desmontaje del disco

Para retirar el disco, utilice la llave de tubo para aflojar el perno de cabeza hexagonal que sujeta la cubierta central girándolo hacia la izquierda. Suba el protector de disco y la cubierta central.

► **Fig.12:** 1. Llave de cubo

Presione el bloqueo del eje para bloquear el eje y utilice la llave de tubo para aflojar el perno de cabeza hexagonal hacia la izquierda. Después retire el perno hexagonal, la brida exterior y el disco.

► **Fig.13:** 1. Bloqueo del eje

► **Fig.14:** 1. Llave de cubo

## Instalación del disco

Para instalar el disco, móntelo con cuidado en el eje, asegurándose de que la dirección de la flecha en la superficie del disco coincide con la dirección de la flecha en la caja del disco. Instale la brida exterior y perno de cabeza hexagonal, y después utilice la llave de tubo para apretar el perno de cabeza hexagonal firmemente hacia la derecha mientras presiona el bloqueo del eje.

► **Fig.15:** 1. Carcasa del disco 2. Flecha 3. Disco de sierra 4. Flecha

### Para tipos *excepto el europeo*

► **Fig.16:** 1. Husillo 2. Brida interior 3. Hoja 4. Brida exterior 5. Perno de cabeza hexagonal 6. Marca 25,4 mm

## ⚠️ PRECAUCIÓN:

- La brida interior tiene un diámetro de 25 mm en una cara y un diámetro de 25,4 mm en la otra cara. La cara con diámetro de 25,4 mm está marcada con "25.4". Utilice la cara correcta para el diámetro del agujero del disco que va a utilizar. Montar el disco en la cara incorrecta puede resultar en una vibración peligrosa.

### Para tipo europeo

► **Fig.17:** 1. Husillo 2. Brida interior 3. Hoja 4. Brida exterior 5. Perno de cabeza hexagonal

## ⚠️ PRECAUCIÓN:

- Asegúrese de que la protuberancia de 25 mm de la brida interior que está posicionado hacia afuera encaja perfectamente en el agujero de 25 mm del disco. Montar el disco en la cara incorrecta puede resultar en una vibración peligrosa.

## Retorno del protector de disco

Deslice el pasador del protector de disco al interior de la ranura en el brazo guía mientras devuelve el protector de disco a su posición original completamente cerrada. Después apriete el perno de cabeza hexagonal hacia la derecha para sujetar la cubierta central. Baje la empuñadura para asegurarse de que el protector de disco se mueve debidamente. Asegúrese de que el bloqueo del eje ha liberado el eje antes de hacer el corte.

► **Fig.18:** 1. Pasador 2. Brazo guía

## Conexión de un aspirador

Cuando quiera realizar una operación de corte limpia, conecte un aspirador Makita.

► **Fig.19**

## Bolsa de polvo

► **Fig.20:** 1. Boquilla para el polvo 2. Bolsa colector de polvo 3. Cierre

La utilización de la bolsa de polvo permite realizar operaciones de corte limpias y recoger fácilmente el polvo. Para colocar la bolsa de polvo, encájela en la boquilla de polvo. Cuando la bolsa de polvo esté medio llena, retírela de la herramienta y abra el cierre. Vacíe la bolsa de polvo golpeándola ligeramente con objeto de retirar las partículas adheridas en el interior para que no impidan la posterior recogida de polvo.

## Sujeción de la pieza de trabajo

### ⚠️ ADVERTENCIA:

- Es muy importante sujetar siempre la pieza de trabajo debida y firmemente con la mordaza. En caso contrario podrá ocasionar que la herramienta se dañe y/o la pieza de trabajo se destroz. TAMBIÉN PODRÁ RESULTAR EN HERIDAS PERSONALES. Además, después de una operación de corte, NO suba el disco hasta que se haya parado completamente.

## ⚠️ PRECAUCIÓN:

- Cuando corte piezas de trabajo largas, utilice apoyos que sean tan altos como el nivel de la parte superior de la base giratoria. No dependa únicamente de la mordaza vertical y/o mordaza horizontal para sujetar la pieza de trabajo. El material fino tiende a combarse. Apoye la pieza de trabajo en toda su longitud para evitar que el disco se atranque y que posiblemente se produzca un RETROCESO BRUSCO.

► **Fig.21:** 1. Soporte 2. Base giratoria



## Mordaza horizontal (accesorio opcional)

► **Fig.22:** 1. Saliente 2. Pomo de la mordaza

La mordaza horizontal se puede instalar tanto en el lado derecho como el izquierdo de la base. Cuando realice cortes en inglete de 15° o mayores, instale la mordaza horizontal en el lado opuesto a la dirección en la que se va a girar la base giratoria. Girando el pomo de la mordaza hacia la izquierda se afloja el tornillo y el eje de la mordaza se puede mover rápidamente hacia dentro y hacia fuera. Girando el pomo de la mordaza hacia la derecha, el tornillo se mantiene apretado. Para sujetar la pieza de trabajo, gire el pomo de la mordaza suavemente hacia la derecha hasta que el saliente alcance su posición más alta, después apriete firmemente. Si fuerza el pomo de la mordaza hacia dentro o lo saca mientras lo esté girando hacia la derecha, el saliente podrá detenerse en ángulo. En este caso, vuelva a girar el pomo de la mordaza hacia la izquierda hasta liberar el tornillo, antes de volver a girar suavemente hacia la derecha.

### ⚠PRECAUCIÓN:

- Sujete la pieza de trabajo solamente cuando el saliente esté en la posición más alta. En caso contrario podrá resultar en una insuficiente sujeción de la pieza de trabajo. Esto podría hacer que la pieza de trabajo salga lanzada, ocasionar daños al disco u ocasionar la pérdida del control, lo cual que puede resultar en HERIDAS PERSONALES.

## Mordaza vertical (accesorio opcional)

► **Fig.23:** 1. Barra de la mordaza 2. Tornillo 3. Guía lateral 4. Pomo de la mordaza 5. Brazo de la mordaza

► **Fig.24:** 1. Barra de la mordaza 2. Tornillo 3. Pomo de la mordaza 4. Brazo de la mordaza 5. Guía lateral

La mordaza vertical se puede instalar en la posición del lado izquierdo o derecho de la guía lateral. Inserte la barra de la mordaza en el agujero de la guía lateral y apriete el tornillo para sujetar la barra de la mordaza. Posicione el brazo de la mordaza de acuerdo con el grosor y forma de la pieza de trabajo y sujete el brazo de la mordaza apretando el tornillo. Si el tornillo para sujetar el brazo de la mordaza hace contacto con la guía lateral, instale el tornillo en el lado opuesto del brazo de la mordaza. Asegúrese de que ninguna parte de la herramienta hace contacto con la mordaza cuando baje la empuñadura completamente. Si alguna parte toca la mordaza, reposicione la mordaza. Presione la pieza de trabajo a ras contra la guía lateral y la base giratoria. Ponga la pieza de trabajo en la posición de corte deseada y sujétela firmemente apretando el pomo de la mordaza.

### ⚠PRECAUCIÓN:

- La pieza de trabajo deberá estar sujetada firmemente contra la base giratoria y la guía lateral con la mordaza durante todas las operaciones.

## Instalación de los soportes (accesorios opcionales)

► **Fig.25:** 1. Soporte 2. Tornillo

Instale los soportes en ambos lados de la base y sujételos con tornillos.

## OPERACIÓN

### ⚠PRECAUCIÓN:

- Antes de utilizar, asegúrese de liberar la empuñadura de la posición bajada girando el seguro de la empuñadura hasta la posición liberada.
- Asegúrese de que el disco no está tocando la pieza de trabajo, etc., antes de activar el interruptor.
- No ejerza presión excesiva en la empuñadura cuando corte. Una fuerza excesiva podrá resultar en una sobrecarga del motor y/o reducir la eficacia de corte. Presione hacia abajo la empuñadura con la fuerza únicamente necesaria para cortar suavemente y sin reducir significativamente la velocidad del disco.
- Presione hacia abajo suavemente la empuñadura para realizar el corte. Si presiona la empuñadura hacia abajo con fuerza o si aplica fuerza lateral, el disco vibrará y dejará una marca (marca de sierra) en la pieza de trabajo y la precisión del corte se deteriorará.

## Corte por presión

► **Fig.26**

Sujete la pieza de trabajo con la mordaza. Encienda la herramienta sin que el disco esté tocando nada y espere hasta que el disco alcance plena velocidad antes de bajarlo. Después baje con cuidado la empuñadura hasta la posición completamente bajada para cortar la pieza de trabajo. Cuando haya completado el corte, apague la herramienta y ESPERE HASTA QUE EL DISCO SE HAYA PARADO COMPLETAMENTE antes de devolver el disco a su posición completamente elevada.

## Corte en inglete

Consulte la sección "Ajuste del ángulo de inglete" explicada más atrás.

## Corte de extrusión de aluminio

► **Fig.27:** 1. Mordaza horizontal 2. Bloque separador 3. Extrusión de aluminio 4. Guía lateral

Cuando sujete extrusiones de aluminio, utilice bloques espaciadores o piezas de desecho como se muestra en la figura para evitar la deformación del aluminio. Utilice un lubricante para cortar cuando corte extrusión de aluminio para evitar la acumulación de material de aluminio en el disco.

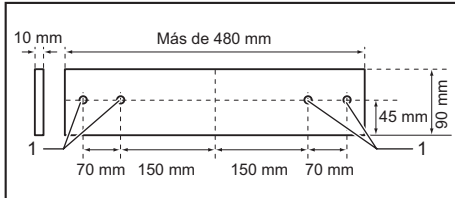
### ⚠PRECAUCIÓN:

- No intente nunca cortar extrusiones de aluminio gruesas o redondas. Las extrusiones de aluminio gruesas pueden aflojarse durante la operación y las extrusiones de aluminio redondas no se pueden sujetar firmemente con esta herramienta.

## Guarnición de madera

### ► Fig.28: 1. Guía lateral 2. Guarnición de madera

La utilización de la guarnición de madera ayuda a conseguir cortes sin astillar la pieza de trabajo. Coloque la guarnición de madera en la guía lateral utilizando los agujeros de la guía lateral. Consulte la figura referente a las dimensiones para elegir una guarnición de madera sugerida.



1. Orificio

### ⚠ PRECAUCIÓN:

- Utilice madera recta de grosor uniforme como guarnición de madera.
- Utilice tornillos para colocar la guarnición de madera en la guía lateral. Los tornillos deberán ser instalados de forma que las cabezas de los tornillos queden por debajo de la superficie de la guarnición de madera.
- Cuando esté puesta la guarnición de madera, no gire la base giratoria con la empuñadura bajada. El disco y/o la guarnición de madera se dañarán.

### NOTA:

- Cuando la guarnición de madera esté colocada, las capacidades máximas de corte en anchura se reducirán según el grosor de la guarnición de madera.

## Corte de longitudes repetitivas

### ► Fig.29: 1. Placa de ajuste 2. Soporte 3. Tornillo

Cuando vaya a cortar varias piezas de madera a la misma longitud, de entre 300 mm a 400 mm, la utilización de la placa de presión (accesorio opcional) posibilitará una operación más eficiente. Instale la placa de presión en el soporte (accesorio opcional) como se muestra en la figura. Alinee la línea de corte de su pieza de trabajo con el lado izquierdo o derecho de la ranura en la placa de corte, y mientras sujeta la pieza de trabajo para que no se mueva, mueva la placa de presión hasta ponerla a ras contra el extremo de la pieza de trabajo. Después sujete la placa de presión con el tornillo. Cuando no utilice la placa de presión, afloje el tornillo y gire la placa de presión para que no estorbe.

### NOTA:

- La utilización del conjunto de barra de soporte (accesorio opcional) permite cortar longitudes repetitivas de hasta 2.200 mm aproximadamente.

## Transporte de la herramienta

### ► Fig.30: 1. Seguro de la empuñadura

Asegúrese de que la herramienta está desenchufada. Sujete la base giratoria en ángulo de inglete derecho completamente por medio del mango. Baje la empuñadura completamente y bloquéela en la posición bajada girando el seguro de la empuñadura hasta la posición bloqueada. Transporte la herramienta cogiéndola por ambos costados de la base como se muestra en la figura. Si retira los soportes, la bolsa de polvo, etc., podrá transportar la herramienta más fácilmente.

### ► Fig.31

### ⚠ PRECAUCIÓN:

- Sujete siempre todas las partes móviles antes de transportar la herramienta.
- El seguro de la empuñadura es solamente para transportar y almacenar la herramienta y no para ninguna operación de corte.

## MANTENIMIENTO

### ⚠ PRECAUCIÓN:

- Asegúrese siempre de que la herramienta está apagada y desenchufada antes de intentar realizar una inspección o mantenimiento.
- No utilice nunca gasolina, bencina, disolvente, alcohol o similares. Podría producir descoloración, deformación o grietas.

### ⚠ ADVERTENCIA:

- Asegúrese siempre de que el disco está afilado y limpio para obtener el mejor y más seguro rendimiento.

## Ajuste del ángulo de corte

Esta herramienta ha sido ajustada y alineada cuidadosamente en fábrica, pero un manejo brusco podrá haber afectado la alineación. Si su herramienta no está debidamente alineada, realice lo siguiente:

### ► Fig.32: 1. Perno de cabeza hexagonal

Afloje el mango que sujeta la base giratoria. Gire la base giratoria de forma que el puntero apunte a 0° en la escala de inglete. Después gire la base giratoria ligeramente hacia la derecha y hacia la izquierda para asentarla en la muesca de inglete de 0°. (Déjela tal como está si el puntero no apunta a 0°). Afloje los pernos de cabeza hexagonal que sujetan la guía lateral utilizando la llave de tubo. Baje la empuñadura completamente y bloquéela en la posición bajada girando el seguro de la empuñadura hasta la posición bloqueada. Escuadre el lateral del disco con la cara de la guía lateral utilizando una escuadra, cartabón, etc. Después apriete firmemente los pernos hexagonales de la guía lateral en orden desde el lado derecho.

### ► Fig.33: 1. Guía lateral 2. Escuadra

Asegúrese de que el puntero en la placa de indicación apunta a 0° en la escala de inglete. Si el puntero no apunta a 0°, afloje los tornillos que sujetan la placa de indicación y ajústela de forma que el puntero apunte a 0°.

### ► Fig.34: 1. Flecha 2. Tornillos 3. Escala de inglete

## Ajuste para un accionamiento suave de la empuñadura

- **Fig.35:** 1. Alojamiento del engranaje  
2. Contratuercas hexagonal 3. Brazo

La contratuercas hexagonal que sujeta el alojamiento del engranaje y el brazo ha sido ajustada en fábrica para asegurar un accionamiento suave de la empuñadura hacia arriba y hacia abajo y para garantizar un corte de precisión. No la manipule. Si el alojamiento del engranaje y la conexión del brazo se aflojasen, realice el ajuste siguiente. Mueva la empuñadura hacia arriba y hacia abajo mientras aprieta la contratuercas hexagonal; la mejor posición para apretar la contratuercas hexagonal está justo antes de que el peso del cuerpo del motor sea evidente.

Después de ajustar la contratuercas hexagonal, asegúrese de que la empuñadura vuelve automáticamente a la posición inicial elevada desde cualquier posición. Si la contratuercas hexagonal está muy floja, la precisión de corte se verá afectada; si está muy apretada, será difícil mover la empuñadura hacia arriba y hacia abajo. Tenga en cuenta que esta es una tuerca autoblocante. Es de un tipo especial que no se afloja con el uso normal. No se deberá apretar demasiado o reemplazar con tuercas de otros tipos.

## Reemplazo de las escobillas de carbón

- **Fig.36:** 1. Marca de límite

Extraiga y compruebe las escobillas de carbón regularmente. Reemplácelas cuando se hayan gastado hasta la marca de límite. Mantenga las escobillas de carbón limpias y de forma que entren libremente en el portaescobillas. Ambas escobillas de carbón deberán ser reemplazadas al mismo tiempo. Utilice únicamente escobillas de carbón idénticas.

Utilice un destornillador para quitar los tapones portaescobillas. Extraiga las escobillas desgastadas, inserte las nuevas y vuelva a colocar los tapones portaescobillas.

- **Fig.37:** 1. Atornillador 2. Tapa del portaescobillas

## Después de la utilización

- Después de la utilización, limpie las virutas y el polvo adheridos a la herramienta con un paño o similar. Mantenga el protector de disco limpio de acuerdo con las indicaciones en "Protector de disco" ofrecidas anteriormente. Lubrique las partes deslizables con aceite para herramientas para evitar que se oxiden.

Para mantener la SEGURIDAD y FIABILIDAD del producto, las reparaciones, y cualquier otra tarea de mantenimiento o ajuste deberán ser realizadas en centros de servicio autorizados por Makita, empleando siempre piezas de repuesto de Makita.

## ACCESORIOS OPCIONALES

**⚠ADVERTENCIA:** Estos accesorios o acoplamientos de Makita están recomendados para utilizar con su herramienta Makita especificada en este manual. La utilización de cualesquiera otros accesorios o acoplamientos puede resultar en heridas personales graves.

**⚠ADVERTENCIA:** Utilice el accesorio o acoplamiento Makita solamente para el propósito que ha sido diseñado. El uso indebido de un accesorio o acoplamiento puede resultar en heridas personales graves.

Si necesita cualquier ayuda para más detalles en relación con estos accesorios, pregunte al centro de servicio Makita local.

- Discos de carburo (Consulte nuestro sitio web o póngase en contacto con el distribuidor Makita local para ver los discos de sierra correctos que hay que utilizar para el material que se va a cortar).
- Llave de cubo
- Juego de soporte
- Placa de presión
- Bolsa de polvo
- Escuadra
- Conjunto de mordaza (Mordaza horizontal)
- Conjunto de mordaza (Mordaza vertical)
- Botón de desbloqueo (2 unidades)

### NOTA:

- Algunos elementos de la lista podrán estar incluidos en el paquete de la herramienta como accesorios estándar. Pueden variar de un país a otro.

## ESPECIFICAÇÕES

Modelo	LS1440	
Diâmetro da lâmina	355 mm	
Diâmetro do orifício	Para outros países além dos países europeus	25 mm ou 25,4 mm (específico do país)
	Para países europeus	25 mm
Espessura máx. de corte da lâmina de serra	3,4 mm	
Ângulo máx. de esquadria	Esquerda 45°, direita 45°	
Velocidade sem carga	3.900 min <sup>-1</sup>	
Dimensões (C x L x A)	596 mm x 550 mm x 630 mm	
Peso líquido	33,1 kg	
Classe de proteção	□/II	

- Devido a um programa contínuo de pesquisa e desenvolvimento, estas especificações podem ser alteradas sem aviso prévio.
- As especificações podem variar de país para país.
- Peso de acordo com o Procedimento EPTA 01/2014

### Capacidades máx. de corte (A x L)

Ângulo de esquadria	
0°	45° (esquerda e direita)
122 mm x 152 mm	122 mm x 115 mm

### Símbolos

A seguir são apresentados os símbolos utilizados para o equipamento. Certifique-se de que compreende o seu significado antes de utilizar o equipamento.



Leia o manual de instruções.



ISOLAMENTO DUPLO



Para evitar ferimentos provocados por resíduos soltos, mantenha a cabeça da serra virada para baixo, depois de realizar cortes, até a lâmina ficar completamente parada.



Não coloque a mão ou os dedos perto da lâmina.



Por razões de segurança, e antes da utilização limpe a bancada de aparas, restos e detritos, etc.



Apenas para os países da União Europeia  
Não elimine os equipamentos elétricos junto com o lixo doméstico! De acordo com a diretiva europeia relativa aos resíduos de equipamentos elétricos e eletrônicos e à sua implementação de acordo com as leis nacionais, os equipamentos elétricos que atingiram o seu fim de vida útil devem ser recolhidas separadamente e entregues numa instalação de reciclagem ambientalmente compatível.

### Utilização a que se destina

Esta ferramenta destina-se a realizar cortes de precisão, retos e de meia esquadria, em madeira. Com lâminas de serra apropriadas, também é possível serrar alumínio.

### Alimentação

A ferramenta só deve ser ligada a uma fonte de alimentação com a mesma tensão da indicada na placa de características, e só funciona com alimentação de corrente alterna (CA) monofásica. Tem um sistema de isolamento duplo e pode, por isso, utilizar tomadas sem ligação à terra.

### Para sistemas públicos de distribuição de baixa tensão entre 220 V e 250 V

Alternar a operação de aparelhos elétricos pode provocar flutuações de tensão. A operação deste aparelho sob condições de alimentação elétrica desfavoráveis pode ter efeitos adversos na operação de outro equipamento. Com uma impedância de alimentação igual ou inferior a 0,39 Ohms pode-se presumir que não haverá efeitos negativos. A tomada de alimentação utilizada para este aparelho tem de estar protegida com um fusível ou um disjuntor de proteção de circuito com características de disparo lentas.

## Ruído

A característica do nível de ruído A determinado de acordo com a EN62841-3-9:

Nível de pressão acústica ( $L_{pA}$ ): 94 dB (A)

Nível de potência acústica ( $L_{WA}$ ): 105 dB (A)

Variabilidade (K): 3 dB (A)

**NOTA:** O(s) valor(es) da emissão de ruído indicado(s) foi medido de acordo com um método de teste padrão e pode ser utilizado para comparar duas ferramentas.

**NOTA:** O(s) valor(es) da emissão de ruído indicado(s) pode também ser utilizado na avaliação preliminar da exposição.

**AVISO:** Utilize protetores auriculares.

**AVISO:** A emissão de ruído durante a utilização real da ferramenta elétrica pode diferir do(s) valor(es) indicado(s), dependendo das formas como a ferramenta é utilizada, especialmente o tipo de peça de trabalho que é processada.

**AVISO:** Certifique-se de identificar as medidas de segurança para proteção do operador que sejam baseadas em uma estimativa de exposição em condições reais de utilização (considerando todas as partes do ciclo de operação, tal como quando a ferramenta está desligada e quando está a funcionar em marcha lenta além do tempo de acionamento).

## Vibração

Valor total da vibração (soma vetorial tri-axial) determinado de acordo com a EN62841-3-9:

Emissão de vibração ( $a_h$ ): 2,5 m/s<sup>2</sup>

Variabilidade (K): 1,5 m/s<sup>2</sup>

**NOTA:** O(s) valor(es) total(ais) de vibração indicado(s) foi medido de acordo com um método de teste padrão e pode ser utilizado para comparar duas ferramentas.

**NOTA:** O(s) valor(es) total(ais) de vibração indicado(s) pode também ser utilizado na avaliação preliminar da exposição.

**AVISO:** A emissão de vibração durante a utilização real da ferramenta elétrica pode diferir do(s) valor(es) indicado(s), dependendo das formas como a ferramenta é utilizada, especialmente o tipo de peça de trabalho que é processada.

**AVISO:** Certifique-se de identificar as medidas de segurança para proteção do operador que sejam baseadas em uma estimativa de exposição em condições reais de utilização (considerando todas as partes do ciclo de operação, tal como quando a ferramenta está desligada e quando está a funcionar em marcha lenta além do tempo de acionamento).

## Declaração de conformidade da CE

### Apenas para os países europeus

A declaração de conformidade da CE está incluída como Anexo A neste manual de instruções.

## Avisos gerais de segurança para ferramentas elétricas

**AVISO:** Leia todos os avisos de segurança, instruções, ilustrações e especificações fornecidos com esta ferramenta elétrica. O não cumprimento de todas as instruções indicadas em baixo pode resultar em choque elétrico, incêndio e/ou ferimentos graves.

## Guarde todos os avisos e instruções para futuras referências.

O termo "ferramenta elétrica" nos avisos refere-se às ferramentas elétricas ligadas à corrente elétrica (com cabo) ou às ferramentas elétricas operadas por meio de bateria (sem cabo).

## Instruções de segurança para serras de esquadria

1. As serras de esquadria destinam-se a cortar madeira ou produtos semelhantes a madeira, não podem ser utilizadas com rodas de corte abrasivas para cortar material ferroso, tal como barras, varões, pinos, etc. A poeira abrasiva provoca o encastramento de peças móveis, tais como o resguardo inferior. As faíscas do corte abrasivo queimam o resguardo inferior, a inserção de corte e outras peças de plástico.
  2. Utilize braçadeiras para apoiar a peça de trabalho sempre que possível. Se apoiar a peça de trabalho manualmente, deve manter sempre as mãos afastadas pelo menos 100 mm de cada lado da lâmina de serra. Não utilize esta serra para cortar peças demasiado pequenas para serem apertadas ou seguras à mão. Se a sua mão estiver colocada demasiado próxima da lâmina de serra, existe um maior risco de lesão devido ao contacto com a lâmina.
  3. A peça de trabalho deve estar fixa e apertada ou segura contra a placa e a mesa. Não alimente a peça de trabalho na lâmina nem corte "com as mãos livres" em qualquer direção. As peças sem fixação ou móveis podem ser projetadas a altas velocidades, causando ferimentos.
  4. Nunca cruze a sua mão sobre a linha de corte pretendida, tanto à frente como atrás da lâmina de serra. Apoiar a peça de trabalho "com as mãos cruzadas", isto é, segurando a peça de trabalho do lado direito da lâmina de serra com a mão esquerda ou vice versa é muito perigoso.
- Fig.1
5. Não tente chegar mais próximo do que 100 mm por trás da placa com as duas mãos a partir dos dois lados da lâmina de serra para remover restos de madeira ou por qualquer outro motivo enquanto a lâmina estiver a rodar. A proximidade da lâmina de serra em rotação em relação à sua mão poderá não ser óbvia e poderá sofrer lesões graves.
  6. Inspeccione a sua peça de trabalho antes de realizar o corte. Se a peça de trabalho for encurvada ou deformada, aperte-a com a face encurvada exterior virada para a placa. Certifique-se sempre de que não existe nenhuma lacuna entre a peça de trabalho, a placa e a mesa ao longo da linha de corte. As peças de trabalho encurvadas ou deformadas podem torcer ou deslocar-se e causar emperramento na lâmina de serra em rotação durante o corte. A peça de trabalho não deve ter pregos ou objetos estranhos.

7. **Não utilize a serra até que a mesa esteja desimpedida de todas as ferramentas, restos de madeira, etc., exceto da peça de trabalho.** Os pequenos resíduos ou pedaços soltos de madeira ou outros objetos que estabeleçam contacto com a lâmina em rotação podem ser projetados a alta velocidade.
  8. **Corte apenas uma peça de trabalho de cada vez.** As peças de trabalho múltiplas empilhadas não podem ser apertadas ou fixadas adequadamente e podem prender na lâmina ou deslocar-se durante o corte.
  9. **Assegure que a serra de esquadria está montada ou colocada numa superfície de trabalho nivelada e firme antes de ser utilizada.** Uma superfície de trabalho nivelada e firme reduz o risco de a serra de esquadria se tornar instável.
  10. **Planeie o seu trabalho. Cada vez que altera a definição do ângulo de bisel e do ângulo de esquadria, certifique-se de que a placa ajustável está corretamente definida para apoiar a peça de trabalho e que não interfere com a lâmina ou o sistema de resguardo.** Sem "LIGAR" a ferramenta e sem qualquer peça de trabalho na mesa, mova a lâmina de serra através de um corte simulado completo, de modo a assegurar que não haverá interferência ou perigo de corte da placa.
  11. **Assegure um apoio adequado, tal como extensões da mesa, cavaletes, etc. para uma peça de trabalho que é mais ampla ou mais comprida do que o topo da mesa.** As peças de trabalho mais compridas ou mais amplas do que a mesa da serra de esquadria podem virar se não estiverem apoiadas em segurança. Se a peça cortada ou a peça de trabalho virarem, estas podem levantar o resguardo inferior ou serem projetadas pela lâmina em rotação.
  12. **Não utilize outra pessoa como substituição de uma extensão de mesa ou um suporte adicional.** O apoio instável para a peça de trabalho pode fazer com que a lâmina fique presa ou a peça de trabalho se desloque durante a operação de corte, puxando-o a si e ao seu assistente na direção da lâmina em rotação.
  13. **A peça de corte não deve estar encravada ou ser pressionada por qualquer meio contra a lâmina de serra em rotação.** Se estiver limitada, isto é, utilizando batentes de comprimento, a peça de corte pode ficar entalada contra a lâmina e ser projetada com violência.
  14. **Utilize sempre uma braçadeira ou uma fixação concebida para apoiar adequadamente material redondo, tal como varões ou tubagens.** Os varões têm tendência de se enrolar enquanto são cortados, fazendo com que a lâmina "morda" e puxe a peça de trabalho com a sua mão para a lâmina.
  15. **Aguarde que o disco atinja a velocidade máxima antes de estabelecer contacto com a peça de trabalho.** Isto reduz o risco de projeção da peça de trabalho.
  16. **Se a peça de trabalho ou a lâmina ficar encravada, desligue a serra de esquadria. Aguarde que todas as peças móveis parem e desligue a ficha da fonte de alimentação e/ou remova a bateria. Em seguida, trabalhe para soltar o material encravado.** A serração continua com uma peça de trabalho encravada pode causar a perda de controlo ou danos na serra de esquadria.
  17. **Após concluir o corte, solte o interruptor, segure a cabeça da serra para baixo e aguarde que a lâmina pare antes de remover a peça de corte.** É perigoso tentar alcançar a lâmina com a mão enquanto esta está a rodar por inércia.
  18. **Segure firmemente na pega quando realizar um corte incompleto ou quando soltar o interruptor antes de a cabeça da serra estar completamente na posição inferior.** A ação de travagem da serra pode fazer com que a cabeça da serra seja subitamente puxada para baixo, causando o risco de lesão.
  19. **Utilize a lâmina de serra apenas com o diâmetro que está marcado na ferramenta ou especificado no manual.** A utilização de uma lâmina de tamanho incorreto pode afetar a proteção adequada da lâmina ou o funcionamento do resguardo, resultando em ferimentos pessoais graves.
  20. **Apenas use lâminas de serra marcadas com uma velocidade igual ou superior à velocidade marcada na ferramenta.**
  21. **Utilize a serra apenas para cortar madeira, alumínio ou materiais similares.**
  22. **(Apenas para países europeus) Utilize sempre a lâmina que possui conformidade com a norma EN847-1.**
- Instruções adicionais**
1. **Feche a oficina com cadeados para segurança das crianças.**
  2. **Nunca se coloque sobre a ferramenta.** Podem ocorrer lesões graves se a ferramenta virar ou se estabelecer contacto inadvertidamente com a ferramenta de corte.
  3. **Nunca deixa a ferramenta ligada sem supervisão.** Desligue a ferramenta. Não deixe a ferramenta sem supervisão antes de estar completamente parada.
  4. **Não utilize a serra sem os resguardos montados.** Verifique se o resguardo da lâmina se encontra devidamente fechado antes de cada utilização. Não trabalhe com a serra se o resguardo da lâmina não se movimentar livremente e fechar instantaneamente. Nunca fixe nem prenda o resguardo da lâmina em posição aberta.
  5. **Mantenha as mãos afastadas da parte cortante da lâmina da serra.** Evite tocar na lâmina quando esta rodar por inércia. Mesmo assim, esta pode provocar lesões.
  6. **Fixe sempre os componentes móveis antes de proceder ao transporte da ferramenta.**
  7. **O pino de bloqueio que bloqueia a cabeça de corte é só para fins de transporte e armazenagem e não para operação de corte.**
  8. **Verifique a lâmina com cuidado quanto a rachaduras ou danos antes da utilização.** Substitua imediatamente a lâmina rachada ou danificada. A pastilha e o passo da madeira endurecidos nas lâminas torna a serra lenta e aumenta o potencial de contragolpe. Mantenha a lâmina limpa, removendo-a primeiramente da ferramenta e, em seguida, limpando-a com removedor de pastilha e de passo, água quente ou querosene. Nunca utilize gasolina para limpar a lâmina.



9. Utilize exclusivamente as flanges especificadas para esta ferramenta.
10. Tenha cuidado para não danificar o eixo, as flanges (especialmente a superfície de instalação) ou o perno. Os danos nestes componentes podem provocar a fratura da lâmina.
11. Certifique-se de que a base giratória está bem fixa, de modo a que não se movimente durante a operação. Utilize os furos na base para apertar a serra a uma plataforma de trabalho estável ou bancada. NUNCA utilize a ferramenta no caso em que o posicionamento do operador fosse considerado estranho.
12. Certifique-se de que soltou o travão do eixo antes de ligar o interruptor.
13. Certifique-se de que, na posição mais baixa, a lâmina não fica em contacto com a base giratória.
14. Agarre na pega com firmeza. Tenha em conta que a serra se movimenta um pouco para cima e para baixo, durante o arranque e a paragem da ferramenta.
15. Verifique se a lâmina não está em contacto com a peça a trabalhar antes de ligar o interruptor.
16. Antes de utilizar a ferramenta na peça a trabalhar, deixe-a funcionar em vazio durante algum tempo. Verifique se existem vibrações ou movimento irregular que possam indicar má instalação ou desequilíbrio da lâmina.
17. Pare a ferramenta de imediato se notar algo no funcionamento que não seja normal.
18. Não tente bloquear o gatilho na posição de ligado.
19. Utilize sempre os acessórios recomendados neste manual. A utilização de acessórios inadequados tais como rodas abrasivas podem dar origem a lesões.
20. Algum material contém produtos químicos que podem ser tóxicos. Tenha cuidado para evitar a inalação de poeira e o contacto com a pele. Respeite os dados de segurança do fornecedor do material.

Normas de segurança adicionais para o laser

1. **RADIAÇÃO DO LASER, NÃO OLHAR FIXAMENTE PARA O FEIXE OU VISUALIZAR DIRETAMENTE COM INSTRUMENTOS ÓPTICOS, PRODUTO DE LASER CLASSE 2M.**

## GUARDE ESTAS INSTRUÇÕES.

**AVISO:** NÃO permita que o conforto ou familiaridade com o produto (adquirido com o uso repetido) substitua o cumprimento estrito das regras de segurança da ferramenta. A MÁ INTERPRETAÇÃO ou o não seguimento das regras de segurança estabelecidas neste manual de instruções pode provocar ferimentos pessoais graves.

## INSTALAÇÃO

### Montagem da bancada

Quando a ferramenta é entregue, a pega está bloqueada na sua posição inferior por meio do fecho da pega. Solte o fecho da pega baixando a pega ligeiramente e rodando o fecho da pega para a posição de desbloqueio.

► **Fig.2:** 1. Fecho da pega

Esta ferramenta deve estar fixa com quatro pernos numa superfície nivelada e estável utilizando os orifícios para os pernos fornecidos na base da ferramenta. Isto ajudará a evitar que tombe e a evitar possíveis ferimentos.

► **Fig.3:** 1. Perno

## DESCRIÇÃO FUNCIONAL

### PRECAUÇÃO:

- Certifique-se sempre de que a ferramenta está desligada e a ficha retirada da tomada de corrente elétrica antes de ajustar ou verificar o funcionamento da ferramenta.

### Resguardo da lâmina

► **Fig.4:** 1. Resguardo da lâmina

Ao descer a pega, o resguardo da lâmina sobe automaticamente. O resguardo dispõe de um dispositivo de mola pelo que volta à posição original depois de concluído o corte e quando se ergue a pega. NUNCA ESTRAGUE OU RETIRE O RESGUARDO DA LÂMINA OU A MOLA QUE SE PRENDE NO RESGUARDO.

Para sua segurança pessoal, mantenha sempre o resguardo da lâmina em bom estado. Qualquer operação irregular do resguardo da lâmina deve ser corrigida imediatamente. Verifique para se assegurar que o retorno do resguardo com a mola funciona bem. NUNCA UTILIZE A FERRAMENTA SE O RESGUARDO DA LÂMINA OU A MOLA ESTIVEREM DANIFICADOS, AVARIADOS OU REMOVIDOS. É MUITO PERIGOSO SE O FIZER E PODE PROVOCAR FERIMENTOS PESSOAIS GRAVES. Se o resguardo da lâmina transparente ficar sujo ou partículas de pó aderirem de modo que a lâmina deixe de ser facilmente visível, desligue a serra da corrente elétrica e limpe cuidadosamente o resguardo com um pano húmido. Não utilize solventes ou quaisquer produtos de limpeza à base de petróleo no resguardo em plástico.

Se o resguardo da lâmina estiver especialmente sujo e for impossível ver através do mesmo, utilize a chave de caixa fornecida para soltar o perno hexagonal segurando a cobertura central. Solte o perno hexagonal rodando-o para a esquerda e levante o resguardo da lâmina e a cobertura central. Com o resguardo da lâmina posicionado desta maneira, é possível realizar uma limpeza mais completa e eficiente. Quando a limpeza estiver concluída, inverta o procedimento acima e fixe o perno. Não retire a mola que prende o resguardo da lâmina. Se o resguardo ficar descolorado com o decorrer do tempo ou pela ação dos raios UV, contacte um centro de assistência Makita para obter um resguardo novo. NÃO FORCE NEM DESMONTE O RESGUARDO.

► **Fig.5:** 1. Resguardo da lâmina



## Placa de corte

### ► Fig.6: 1. Base giratória 2. Placa de corte

Esta ferramenta é fornecida com a placa de corte na base giratória para minimizar a produção de estilhaços no lado de saída de um corte. Se a ranhura de corte não tiver sido cortada na placa de corte na fábrica, deve fazer a ranhura antes de utilizar a ferramenta para cortar uma peça de trabalho. Ligue a ferramenta e baixe suavemente a lâmina para cortar uma ranhura na placa de corte.

## Manter a máxima capacidade de corte

### ► Fig.7: 1. Caixa de transmissão 2. Porca hexagonal 3. Perno de regulação

### ► Fig.8: 1. Superfície superior da base giratória 2. Periferia da lâmina 3. Placa guia

Esta ferramenta foi regulada na fábrica para fornecer a máxima capacidade de corte para uma lâmina da serra de 355 mm.

Quando instalar uma nova lâmina, verifique sempre a posição limite inferior da lâmina e, se necessário, regule como se segue:

Primeiro, desligue a ferramenta da corrente elétrica. Baixe completamente a pega. Solte a porca hexagonal na parte traseira da caixa de transmissão. Utilize uma chave de parafusos para rodar o perno de regulação até a periferia da lâmina se estender ligeiramente por baixo da superfície superior da base giratória, no ponto em que a superfície frontal da placa guia se encontra com a superfície superior da base giratória.

Com a ferramenta desligada da corrente elétrica, rode a lâmina com a mão enquanto agarra na pega completamente para baixo para se certificar de que a lâmina não entra em contacto com qualquer parte da base inferior. Reajuste ligeiramente, se necessário.

Depois de ajustar, aperte a porca hexagonal com a chave inglesa enquanto segura cuidadosamente o perno de regulação na posição correta com a chave de parafusos.

Neste momento, certifique-se de que a pega pode ser bloqueada na sua posição inferior rodando o fecho da pega. Se não for possível bloquear a pega, rode o perno de regulação, de modo a que a pega possa ser bloqueada na posição inferior.

### ▲PRECAUÇÃO:

- Depois de instalar uma lâmina nova, certifique-se sempre de que a lâmina não toca em nenhuma parte da base inferior quando a pega se encontra totalmente abaixada. Faça sempre isto com a ferramenta desligada da corrente elétrica.

## Ajustar o ângulo de esquadria

### ► Fig.9: 1. Ponteiro 2. Alavanca de bloqueio 3. Escala de esquadria 4. Punho

Solte o punho rodando-o para a esquerda. Rode a base giratória ao mesmo tempo que empurra a alavanca de bloqueio para baixo. Depois de ter movido o punho para a posição em que o ponteiro aponta para o ângulo pretendido na escala de esquadria, aperte o punho em segurança para a direita.

### ▲PRECAUÇÃO:

- Quando rodar a base giratória, certifique-se de que levanta a pega totalmente.
- Após mudar o ângulo de esquadria, fixe sempre a base giratória ao apertar o punho firmemente.

## Chapa de vedação

A chapa de vedação foi concebida para impedir que aparas de corte mais pequenas encravem no interior da caixa da lâmina. A chapa de vedação move-se automaticamente para a direita ou para a esquerda à medida que a base giratória roda.

## Ação do interruptor

### ▲PRECAUÇÃO:

- Antes de ligar a ferramenta à corrente elétrica, certifique-se sempre de que o gatilho do interruptor funciona corretamente e volta para a posição de desligado quando libertado.

### ▲AVISO:

- NUNCA utilize a ferramenta sem que esta disponha de um gatilho do interruptor totalmente operacional. Qualquer ferramenta com um interruptor inoperante é ALTAMENTE PERIGOSA e tem de ser reparada antes de ser utilizada novamente.

## Para ferramentas com botão de desbloqueio

### ► Fig.10: 1. Botão de segurança 2. Gatilho do interruptor

### ▲PRECAUÇÃO:

- Quando não estiver a utilizar a ferramenta, remova o botão de segurança e guarde-o num local seguro. Isto evita a operação não autorizada.
- Não carregue a fundo o gatilho do interruptor sem pressionar o botão de segurança. Esta ação pode estragar o interruptor.

Para evitar que o gatilho do interruptor seja acidentalmente acionado, existe um botão de segurança. Para iniciar a ferramenta pressione o botão de segurança e carregue no gatilho do interruptor. Solte o gatilho do interruptor para parar.

### ▲AVISO:

- Para a sua própria segurança, esta ferramenta está equipada com um botão de segurança que evita o arranque acidental da ferramenta. NUNCA utilize a ferramenta se esta funcionar quando carregar no gatilho sem pressionar o botão de segurança. Envie a ferramenta para um centro de assistência Makita, para efeitos de reparação adequada ANTES de nova utilização.
- NUNCA coloque fita nem prejudique o funcionamento e a finalidade do botão de segurança.

## Para ferramentas sem botão de segurança

► Fig.11: 1. Gatilho do interruptor

Ligue a ferramenta e espere até que a lâmina atinja a velocidade máxima. De seguida, desça gentilmente a lâmina até ao corte.

Para iniciar a ferramenta, carregue simplesmente no gatilho do interruptor. Liberte o gatilho do interruptor para parar.

## MONTAGEM

### ⚠PRECAUÇÃO:

- Certifique-se sempre de que a ferramenta está desligada e a ficha retirada da tomada de corrente elétrica antes de realizar qualquer trabalho na ferramenta.

## Instalar ou retirar a lâmina da serra

### ⚠PRECAUÇÃO:

- Certifique-se sempre de que a ferramenta está desligada e a ficha retirada da tomada de corrente elétrica antes de instalar ou retirar a lâmina.
- Utilize apenas a chave de caixa da Makita fornecida para instalar ou retirar a lâmina. Se assim não for pode resultar em aperto excessivo ou insuficiente do perno hexagonal. Pode causar danos.

## Remover a lâmina

Para remover a lâmina, utilize a chave de caixa para soltar o perno hexagonal que prende a cobertura central, rodando-a para a esquerda. Levante o resguardo da lâmina e a cobertura central.

► Fig.12: 1. Chave de caixa

Pressione o travão do eixo para prender o veio e utilize a chave de caixa para soltar o perno hexagonal para a esquerda. Em seguida, retire o perno hexagonal, a flange exterior e a lâmina.

► Fig.13: 1. Travão do eixo

► Fig.14: 1. Chave de caixa

## Instalar a lâmina

Para instalar a lâmina, monte-a cuidadosamente sobre o veio certificando-se de que a direção da seta na superfície da lâmina corresponde à direção da seta na caixa da lâmina. Instale o flange exterior e o perno hexagonal e, em seguida, utilize a chave de caixa para apertar em segurança o perno hexagonal para a direita enquanto pressiona o travão do eixo.

► Fig.15: 1. Caixa da lâmina 2. Seta 3. Lâmina da serra 4. Seta

Para outros tipos além do tipo europeu

► Fig.16: 1. Veio 2. Flange interior 3. Lâmina  
4. Flange exterior 5. Perno hexagonal  
6. Marcação de 25,4 mm

### ⚠PRECAUÇÃO:

- O flange interior possui um diâmetro de 25 mm num lado e um diâmetro de 25,4 mm no outro lado. O lado com 25,4 mm de diâmetro está marcado com "25.4". Utilize o lado correto para o diâmetro do orifício da lâmina que pretende usar. Montar a lâmina no lado errado pode resultar em vibração perigosa.

Para o tipo europeu

► Fig.17: 1. Veio 2. Flange interior 3. Lâmina  
4. Flange exterior 5. Perno hexagonal

### ⚠PRECAUÇÃO:

- Certifique-se de que a saliência de 25 mm no flange interior que está posicionado no exterior encaixa perfeitamente no orifício da lâmina da serra de 25 mm. Montar a lâmina no lado errado pode resultar em vibração perigosa.

## Reposicionar o resguardo da lâmina

Deslize o pino no resguardo da lâmina até à ranhura no braço guia enquanto devolve o resguardo da lâmina à sua posição original totalmente fechada. Em seguida, aperte o perno hexagonal para a direita para prender a cobertura central. Desça a pega para se certificar que o resguardo da lâmina funciona corretamente. Certifique-se de que o travão do eixo soltou o veio antes de fazer o corte.

► Fig.18: 1. Pino 2. Braço guia

## Ligar um aspirador

Quando pretender realizar operações de corte limpo, ligue o aspirador Makita.

► Fig.19

## Saco do pó

► Fig.20: 1. Bocal do pó 2. Saco do pó 3. Fecho

A utilização do saco do pó torna limpa as operações de corte e fácil a recolha do pó. Para prender o saco do pó, coloque-o no bocal do pó.

Quando o saco do pó se encontrar meio cheio, retire-o da ferramenta e tire o fecho. Esvazie o saco do pó, batendo-lhe ligeiramente para remover as partículas aderentes no interior que podem dificultar a recolha.

## Fixar a peça de trabalho

### ⚠AVISO:

- É de extrema importância prender sempre a peça de trabalho bem apertada e adequadamente ao torno. Se assim não for pode fazer com que a ferramenta fique danificada e/ou com que a peça de trabalho fique destruída. **PODEM TAMBÉM RESULTAR FERIMENTOS PESSOAIS.** Além disso, após uma operação de corte, **NÃO** levante a lâmina até que a lâmina esteja completamente parada.

### **⚠️ PRECAUÇÃO:**

- Quando cortar peças de trabalho longas, utilize suportes que fiquem num nível tão elevado como o da superfície da base giratória. Não confie apenas no torno vertical e/ou horizontal para efeitos de fixação da peça de trabalho. O material fino tende a dobrar. Apoie a peça de trabalho em todo o comprimento, para evitar esmagamentos e eventuais CONTRAGOLPES.

► **Fig.21:** 1. Suporte 2. Base giratória

## **Torno horizontal (acessório opcional)**

► **Fig.22:** 1. Projecção 2. Botão do torno

O torno horizontal pode ser instalado no lado esquerdo ou direito da base. Quando realizar cortes em esquadria de 15° ou superior, instale o torno horizontal no lado oposto à direção na qual a base giratória deve ser rodada. Ao rodar o botão do torno para a esquerda, o parafuso é solto e o eixo do torno pode ser movido rapidamente para dentro e para fora. Ao rodar o botão do torno para a direita, o parafuso mantém-se apertado. Para agarrar a peça de trabalho, rode o botão do torno gentilmente para a direita até a projecção atingir a sua posição mais alta e, de seguida, aperte firmemente. Se o botão do torno for forçado para dentro ou puxado para fora enquanto estiver a ser rodado para a direita, a projecção poderá parar num ângulo. Neste caso, rode o botão do torno para a esquerda até o parafuso ser solto antes de rodá-lo novamente para a direita com cuidado.

### **⚠️ PRECAUÇÃO:**

- Agarre a peça de trabalho apenas quando a projecção estiver na posição mais alta. Se não o fizer poderá resultar no aperto insuficiente da peça de trabalho. Isto poderá causar o arremesso da peça de trabalho, causar danos na lâmina ou causar a perda de controlo, o que pode resultar em LESÕES FÍSICAS.

## **Torno vertical (acessório opcional)**

► **Fig.23:** 1. Varão do torno 2. Parafuso 3. Placa guia 4. Botão do torno 5. Braço do torno

► **Fig.24:** 1. Varão do torno 2. Parafuso 3. Botão do torno 4. Braço do torno 5. Placa guia

O torno vertical pode ser instalado na posição no lado esquerdo ou direito da placa guia. Introduza o varão do torno no orifício existente na placa guia e aperte o parafuso para fixar o varão do torno.

Posicione o braço do torno de acordo com a espessura e forma da peça de trabalho e prenda o braço do torno apertando o parafuso. Se o parafuso para fixar o braço do torno tocar na placa guia, instale o parafuso no lado oposto do braço do torno. Certifique-se de que nenhuma parte da ferramenta contacta o torno quando baixa completamente a pega. Se algumas partes contactar o torno, volte a posicionar o torno. Pressione a peça de trabalho de forma plana contra a placa guia e a base giratória. Posicione a peça de trabalho na posição de corte pretendida e fixe-a firmemente ao apertar o botão do torno.

### **⚠️ PRECAUÇÃO:**

- A peça de trabalho tem de ser fixa com segurança contra a base giratória, e a placa guia com o torno durante todas as operações.

## **Instalar os suportes (acessórios opcionais)**

► **Fig.25:** 1. Suporte 2. Parafuso

Instale os suportes em ambos os lados da base e fixe-os com parafusos.

## **OPERAÇÃO**

### **⚠️ PRECAUÇÃO:**

- Antes de utilizar a ferramenta, certifique-se de que solta a pega da posição inferior, rodando o fecho da pega para a posição de desbloqueio.
- Verifique se a lâmina não está em contacto com a peça de trabalho, etc., antes de ligar o interruptor.
- Não exerça pressão excessiva na pega quando realizar o corte. Demasiada força poderá resultar na sobrecarga do motor e/ou na diminuição da eficácia de corte. Pressione a pega para baixo com apenas a força necessária para realizar um corte suave e sem diminuir significativamente a velocidade da lâmina.
- Pressione gentilmente a pega para baixo para realizar o corte. Se a pega for pressionada para baixo com força ou se for aplicada força lateral, a lâmina vibra e deixa uma marca (marca da serra) na peça de trabalho e a precisão do corte será prejudicada.

## **Corte de pressão**

► **Fig.26**

Prenda a peça de trabalho com o torno. Ligue a ferramenta sem que a lâmina faça qualquer contacto e espere até que a lâmina atinja toda a velocidade antes de a descer. Depois, desça a pega suavemente para a posição completamente abaixada para cortar a peça de trabalho. Quando o corte está concluído, desligue a ferramenta e AGUARDE ATÉ A LÂMINA PARAR COMPLETAMENTE antes de voltar a colocar a lâmina na sua posição totalmente elevada.

## **Corte em esquadria**

Consulte a secção anterior "Ajustar o ângulo de esquadria".

## **Corte de extrusão de alumínio**

► **Fig.27:** 1. Torno horizontal 2. Bloco espaçador 3. Extrusão de alumínio 4. Placa guia

Quando fixar extrusões de alumínio, utilize blocos espaçadores ou pedaços de refugo, como indicado na figura, para evitar deformações do alumínio. Quando cortar extrusão de alumínio, utilize um lubrificante de corte para evitar a acumulação do material de alumínio na lâmina.

### **⚠️ PRECAUÇÃO:**

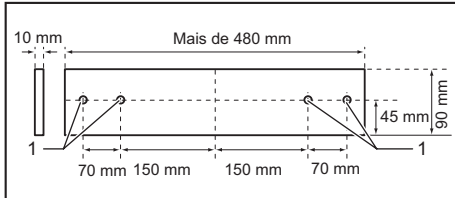
- Nunca tente cortar extrusões de alumínio densas ou redondas. As extrusões de alumínio densas podem soltar-se durante a operação e as extrusões de alumínio redondas não podem ser presas com firmeza com esta ferramenta.

## Orla de madeira

### ► Fig.28: 1. Placa guia 2. Orla de madeira

O uso da orla de madeira ajuda a assegurar cortes sem cavacos nas peças de trabalho. Acople uma orla de madeira à placa guia utilizando os orifícios na placa guia.

Consulte a figura relativamente às dimensões para uma orla de madeira sugerida.



1. Orifício

### ▲PRECAUÇÃO:

- Utilize madeira plana de espessura uniforme como orla de madeira.
- Utilize parafusos para unir a orla de madeira à placa guia. Os parafusos devem ser instalados de modo a que as cabeças dos parafusos fiquem abaixo da superfície da orla de madeira.
- Quando a orla de madeira estiver acoplada, não rode a base giratória com a pega deslizada. A lâmina e/ou a orla de madeira serão danificadas.

### NOTA:

- Quando a orla de madeira estiver acoplada, as capacidades máximas de corte em largura serão reduzidas pela espessura da orla de madeira.

## Cortar comprimentos repetitivos

### ► Fig.29: 1. Placa de ajuste 2. Suporte 3. Parafuso

Quando cortar várias peças de material com o mesmo comprimento, desde 300 mm a 400 mm, o uso da placa de ajuste (acessório opcional) proporcionará uma operação mais eficiente. Instale a placa de ajuste no suporte (acessório opcional), como indicado na figura.

Alinhe a linha de corte na sua peça de trabalho com o lado esquerdo ou direito da ranhura na placa de corte e enquanto segura a peça de trabalho para não se mover, mova o fluxo da placa de ajuste contra a extremidade da peça de trabalho. De seguida, fixe a placa de ajuste com o parafuso. Quando a placa de ajuste não estiver a ser utilizada, solte o parafuso e rode a placa de ajuste para fora do trajeto.

### NOTA:

- O uso do conjunto suporte-varão (acessório opcional) permite cortar comprimentos repetitivos até aproximadamente 2.200 mm.

## Transportar a ferramenta

### ► Fig.30: 1. Fecho da pega

Certifique-se de que a ferramenta está desligada da corrente elétrica. Fixe totalmente a base giratória no ângulo de esquadria direito através do punho. Desça a pega completamente e prenda-a na posição inferior rodando o fecho da pega para a posição bloqueada. Transporte a ferramenta segurando em ambos os lados da base da ferramenta, como indicado na figura. Se retirar os suportes, saco do pó, etc., pode transportar mais facilmente a ferramenta.

### ► Fig.31

### ▲PRECAUÇÃO:

- Fixe sempre os componentes móveis antes de proceder ao transporte da ferramenta.
- O fecho da pega destina-se apenas para fins de transporte e armazenamento e não para qualquer operação de corte.

## MANUTENÇÃO

### ▲PRECAUÇÃO:

- Certifique-se sempre de que a ferramenta está desligada e a ficha retirada da tomada de corrente elétrica antes de tentar realizar trabalhos de inspeção ou manutenção.
- Nunca utilize gasolina, benzina, diluente, álcool ou semelhantes. Poderá ocorrer descoloração, deformação ou fissuras.

### ▲AVISO:

- Certifique-se sempre de que a lâmina está afiada e limpa para obter o melhor e mais seguro desempenho.

## Ajustar o ângulo de corte

Esta ferramenta é cuidadosamente ajustada e alinhada na fábrica, mas o seu manuseio bruto poderá afetar o alinhamento. Se a sua ferramenta não estiver corretamente alinhada, realize o seguinte:

### ► Fig.32: 1. Perno hexagonal

Solte o punho que fixa a base giratória. Rode a base giratória até o ponteiro apontar para os 0° na escala de esquadria. De seguida, rode a base giratória ligeiramente para a direita e para a esquerda para assentar a base giratória na ranhura de esquadria de 0°. (Deixe como está, se o ponteiro não apontar para 0°.) Solte os pernos hexagonais que prendem a placa guia utilizando a chave de caixa. Desça a pega completamente e prenda-a na posição inferior rodando o fecho da pega para a posição bloqueada. Coloque a parte lateral da lâmina em esquadria com a superfície da placa guia utilizando uma régua triangular, esquadro, etc. Depois, aperte os pernos hexagonais em segurança na placa guia por ordem começando a partir do lado direito.

### ► Fig.33: 1. Placa guia 2. Régua triangular

Certifique-se de que o ponteiro na placa de indicação aponta para os 0° na escala de esquadria. Se o ponteiro não apontar para os 0°, solte os parafusos que prendem a placa de indicação e ajuste-a de modo a que o ponteiro aponte para os 0°.

### ► Fig.34: 1. Ponteiro 2. Parafusos 3. Escala de esquadria

## Ajuste para ação suave da pega

► **Fig.35:** 1. Caixa de transmissão 2. Porca de bloqueio hexagonal 3. Braço

A porca de bloqueio hexagonal que segura a caixa de transmissão e o braço foi ajustada de fábrica, de modo a assegurar uma ação suave da pega para cima e para baixo e a garantir um corte preciso. Não mexa nela. Caso a ligação da caixa de transmissão e do braço fique frouxa, realize o seguinte ajuste. Mova a pega para cima e para baixo enquanto aperta a porca de bloqueio hexagonal; a melhor posição para apertar a porca de bloqueio hexagonal é imediatamente antes de o peso do corpo do motor se tornar óbvio.

Após ajustar a porca de bloqueio hexagonal, certifique-se de que a pega retorna automaticamente à posição inicial elevada, partindo de qualquer posição. Se a porca de bloqueio hexagonal estiver demasiado frouxa, a precisão de corte será afetada; se estiver demasiado apertada, será difícil manusear a pega para cima e para baixo. Note que se trata de uma porca autoaperto. Trata-se de um tipo de porca especial que não solta com o uso normal. Não deve ser demasiado apertada ou substituída por outros tipos de porcas.

## Substituir as escovas de carvão

► **Fig.36:** 1. Marca limite

Retire e verifique regularmente as escovas de carvão. Substitua quando apresentarem um desgaste até à marca limite. Mantenha as escovas de carvão limpas e libertas para deslizarem nos suportes. Deve substituir as duas escovas de carvão ao mesmo tempo. Utilize apenas escovas de carvão idênticas.

Utilize uma chave de parafusos para remover as tampas do suporte da escova. Retire as escovas de carvão gastas, insira as novas e fixe as tampas do suporte da escova.

► **Fig.37:** 1. Chave de parafusos 2. Tapa do suporte da escova

## Após a utilização

- Após a utilização, limpe as aparas e o pó aderentes à ferramenta com um pano ou semelhante. Mantenha o resguardo da lâmina limpo de acordo com as instruções constantes no ponto "Resguardo da lâmina" abordado anteriormente. Lubrifique as partes deslizantes com óleo para ferramentas para evitar ferrugem.

De modo a manter a SEGURANÇA e FIABILIDADE do produto, as reparações, qualquer outra manutenção ou ajuste devem ser realizados pelos Centros de Assistência Autorizados da Makita, utilizando sempre peças de substituição da Makita.

## ACESSÓRIOS OPCIONAIS

**AVISO:** Estes acessórios ou extensões Makita são recomendados para utilização com a sua ferramenta Makita especificada neste manual. A utilização de quaisquer outros acessórios ou extensões pode resultar em ferimentos pessoais graves.

**AVISO:** Utilize apenas um acessório ou extensão Makita para o fim a que se destina. A utilização inadequada de um acessório ou extensão pode resultar em ferimentos pessoais graves.

Se necessitar de assistência para mais informações sobre estes acessórios, solicite-a junto do seu Centro de Assistência Makita local.

- Lâminas da serra com ponta em metal duro (Consulte o nosso website ou contacte o seu distribuidor Makita local para obter as lâminas da serra corretas a utilizar para o material a cortar.)
- Chave de caixa
- Conjunto do suporte
- Placa de ajuste
- Saco do pó
- Régua triangular
- Conjunto do torno (torno horizontal)
- Conjunto do torno (torno vertical)
- Botão de segurança (2 peças)

### NOTA:

- Alguns itens da lista poderão ser incluídos no conjunto da ferramenta como acessórios padrão. Poderão diferir de país para país.

## SPECIFIKATIONER

Model	LS1440	
Klangediameter	355 mm	
Diameter af hul	For lande uden for Europa	25 mm eller 25,4 mm (landespecifk)
	For lande i Europa	25 mm
Maks. tykkelse af savsnit for savklinge	3,4 mm	
Maks. geringsvinkel	Venstre 45°, højre 45°	
Hastighed uden belastning	3.900 min <sup>-1</sup>	
Dimensioner (L x B x H)	596 mm x 550 mm x 630 mm	
Nettovægt	33,1 kg	
Sikkerhedsklasse	□/II	

- På grund af vores kontinuerlige forsknings- og udviklingsprogrammer kan hosstående specifikationer blive ændret uden varsel.
- Specifikationer kan variere fra land til land.
- Vægt i henhold til EPTA-procedure 01/2014

### Maks. skæredybde (H x B)

Geringsvinkel	
0°	45° (venstre og højre)
122 mm x 152 mm	122 mm x 115 mm

## Symboler

Følgende viser de symboler, der anvendes til udstyret. Vær sikker på, at De forstår betydningen af symbolerne før brugen.

	Læs brugsanvisningen.
	DOBBELT ISOLERING
	For at undgå personskade fra flyvende rester skal De holde savhovedet nede, når De har foretaget snit, indtil klingene er stoppet helt.
	Placer ikke hånden eller fingrene i nærheden af klingene.
	Af hensyn til Deres sikkerhed bør spåner og smådele osv. fjernes fra drejeshjulens overflade, før arbejdet påbegyndes.
	Kun for lande inden for EU Elektrisk udstyr må ikke bortskaffes sammen med almindelig husholdningsaffald! I henhold til det europæiske direktiv vedrørende håndtering af elektrisk og elektronisk affald og dets implementering i henhold til national lovgivning skal elektrisk udstyr, der har nået slutningen af dets levetid, indsamles separat og returneres til et genindvindingsanlæg, der overholder miljøkravene.

## Tilsigtet anvendelse

Denne maskine er beregnet til udførelse af præcis lige afkortning og geringsnit i træ. Der kan også saves i aluminium med passende savklinger.

## Strømforsyning

Maskinen må kun tilsluttes en strømforsyning med samme spænding som angivet på typeskiltet og kan kun anvendes på enfaset vekselstrømsforsyning. Den er dobbeltisoleret og kan derfor også tilsluttes netstik uden jordforbindelse.

## For offentlige lavspændingsnet på mellem 220 V og 250 V

Tænd og sluk af elektriske apparater medfører spændingssvingninger. Anvendelse af denne maskine under ugunstige lysnetforsyningsforhold kan have negativ indflydelse på driften af andet udstyr. Ved en netimpedans svarende til eller mindre end 0,39 ohm, kan det antages, at der ikke vil være negative påvirkninger. Stikkontakten, der anvendes til denne maskine, skal være beskyttet med en sikring eller en beskyttelsesafbryder med træg udløsning.

## Lyd

Det typiske A-vægtede støjniveau bestemt i overensstemmelse med EN62841-3-9:  
 Lydtryksniveau ( $L_{pA}$ ): 94 dB (A)  
 Lydeffektniveau ( $L_{WA}$ ): 105 dB (A)  
 Usikkerhed (K): 3 dB (A)

**BEMÆRK:** De(n) angivne støjemissionsværdi(er) er målt i overensstemmelse med standardtestmetode og kan anvendes til at sammenligne en maskine med en anden.

**BEMÆRK:** De(n) angivne støjemissionsværdi(er) kan også anvendes i en præliminær eksponeringsvurdering.



**⚠ ADVARSEL:** Bær høreværn.

**⚠ ADVARSEL:** Støjemissionen under den faktiske anvendelse af maskinen kan være forskellig fra de(n) angivne værdi(er), afhængigt af den måde hvorpå maskinen anvendes, især den type arbejdsemne der behandles.

**⚠ ADVARSEL:** Sørg for at identificere de sikkerhedsforskrifter til beskyttelse af operatøren, som er baseret på en vurdering af eksponering under de faktiske brugsforhold (med hensyntagen til alle dele i brugscyklussen, f.eks. de gange, hvor maskinen er slukket, og når den kører i tomgang i tilgift til afbrydertiden).

## Vibration

Vibrationens totalværdi (tre-aksial vektorsum) bestemt i overensstemmelse med EN62841-3-9:

Vibrationsemission ( $a_v$ ): 2,5 m/s<sup>2</sup>

Usikkerhed (K): 1,5 m/s<sup>2</sup>

**BEMÆRK:** De(n) angivne totalværdi(er) for vibration er målt i overensstemmelse med en standardtestmetode og kan anvendes til at sammenligne en maskine med en anden.

**BEMÆRK:** De(n) angivne totalværdi(er) for vibration kan også anvendes i en præliminær eksponeringsvurdering.

**⚠ ADVARSEL:** Vibrationsemissionen under den faktiske anvendelse af maskinen kan være forskellig fra de(n) angivne værdi(er), afhængigt af den måde hvorpå maskinen anvendes, især den type arbejdsemne der behandles.

**⚠ ADVARSEL:** Sørg for at identificere de sikkerhedsforskrifter til beskyttelse af operatøren, som er baseret på en vurdering af eksponering under de faktiske brugsforhold (med hensyntagen til alle dele i brugscyklussen, f.eks. de gange, hvor maskinen er slukket, og når den kører i tomgang i tilgift til afbrydertiden).

## EU-overensstemmelseserklæring

### Kun for lande i Europa

EU-overensstemmelseserklæringen er inkluderet som Bilag A i denne brugsanvisning.

## Almindelige sikkerhedsregler for el-værktøj

**⚠ ADVARSEL:** Læs alle de sikkerhedsadvarsler, instruktioner, illustrationer og specifikationer, der følger med denne maskine. Forsømmelse af at overholde alle nedenstående instruktioner kan medføre elektrisk stød, brand og/eller alvorlig personskade.

## Gem alle advarsler og instruktioner til fremtidig reference.

Ordet "el-værktøj" i advarslerne henviser til det netforsyede (netledning) el-værktøj eller batteriforsyede (akku) el-værktøj.

## Sikkerhedsinstruktioner for geringsssave

1. Geringsssave er beregnet til at save i træ eller træliggende produkter. De kan ikke anvendes med slibende afskæringsskiver til at skære i jernholdige metaller som f.eks. bjælker, stænger, stivere osv. Slibestøv får bevægelige dele som f.eks. den nederste beskyttelsesskærm til at sætte sig fast. Grистер fra slibeskæring vil forbrænde den nederste beskyttelsesskærm, savsnitsindlæg og andre plastikdele.
2. Brug skruetvinger til at understøtte arbejdsemnet, når som helst det er muligt. Hvis du understøtter arbejdsemnet i hånden, skal du altid holde hånden mindst 100 mm fra begge sider af savklingen. Anvend ikke denne sav til at sætte sig fast. Hvis du ikke kan fastgøres forsvarligt eller holdes i hånden. Hvis din hånd er placeret for tæt på savklingen, er der større risiko for personskade pga. kontakt med klingene.
3. Arbejdsemnet skal være i ro og fastgjort eller holdt mod både anslaget og bordet. Undlad at indføre arbejdsemnet til klingene eller at skære "på frihånd" på nogen måde. Ikke-fastholdte eller bevægelige arbejdsemner kan blive slynget bort ved høj hastighed og forårsage personskade.
4. Placer aldrig din hånd over den tilsigtede skærelinje, hverken foran eller bag ved savklingen. Understøttelse af arbejdsemnet med "krydsede hænder", dvs. at holde arbejdsemnet til højre for savklingen med venstre hånd eller omvendt, er meget farligt.  
► Fig.1
5. Undlad at række bag ved anslaget med nogen af hænderne tættere end 100 mm fra begge sider af savklingen, at fjerne træstykker eller af nogen anden årsag, så længe klingene roterer. Det er muligvis ikke tydeligt, hvor tæt den roterende savklinge er på din hånd, og du kan komme alvorligt til skade.
6. Inspecter arbejdsemnet, før der skæres. Hvis arbejdsemnet er buet eller skævt, skal du fastgøre det med den udvendige buede side mod anslaget. Sørg altid for, at der ikke er mellemrum mellem arbejdsemnet, anslaget og bordet langs skærelinjen. Buede eller skæve arbejdsemner kan vride sig eller flytte sig og kan medføre binding af den roterende savklinge, mens der skæres. Der må ikke være søm eller fremmedlegemer i arbejdsemnet.
7. Undlad at bruge saven, før bordet er ryddet for alle værktøjer, træstykker osv. bortset fra arbejdsemnet. Små rester eller løse stykker træ eller andre genstande, der kommer i kontakt med den roterende klinge, kan blive slynget bort med høj hastighed.
8. Skår kun i ét arbejdsemne ad gangen. Flere stablede arbejdsemner kan ikke fastgøres eller understøttes tilstrækkeligt og kan binde klingene eller flytte sig under skæringen.
9. Sørg for, at geringsssaven er monteret eller placeret på en jævn, stabil arbejdsoverflade, før den bruges. En jævn og stabil arbejdsoverflade mindsker risikoen for, at geringsssaven bliver ustabil.
10. Planlæg dit arbejde. Hver gang du ændrer indstillingen for skrå- eller geringsvinkel, skal du sikre dig, at det justerbare anslag er indstillet korrekt til at understøtte arbejdsemnet, og at det ikke kommer i vejen for klingene eller beskyttelsessystemet. Uden at slå maskinen "TIL" og uden arbejdsemne på bordet skal du flytte savklingen gennem et komplet simuleret snit for at sikre dig, at der ikke er noget i vejen eller risiko for at skære i anslaget.

11. **Sørg for tilstrækkelig understøttelse, for eksempel bordforlængelser, savbukke osv., for et arbejdsemne, der er bredere eller længere end bordpladen.** Arbejdsemner, der er længere eller bredere end gerings-savens bord, kan vippe, hvis de ikke er tilstrækkeligt understøttet. Hvis det afskårne stykke eller arbejdsemnet vipper, kan det løfte den nederste beskyttelsesskærm eller blive slynget bort af den roterende klinge.
12. **Undlad at bruge en anden person som erstatning for en bordforlængelse eller som ekstra støtte.** Ustabil understøttelse af arbejdsemnet kan få klingerne til at binde eller arbejdsemnet til at flytte sig under skæringen, så du selv og hjælperen bliver trukket ind i den roterende klinge.
13. **Det afskårne stykke må ikke på nogen måde sidde fast eller blive trykket imod den roterende savklinge.** Hvis det begrænses, for eksempel med længdestopper, kan det afskårne stykke blive klemt mod klingerne og slynget voldsomt bort.
14. **Brug altid en skruetvinge eller et stykke inventar, der er beregnet til korrekt at støtte runde materialer som f.eks. stænger eller rør.** Stænger har tendens til at rulle, når de skæres, hvilket får klingerne til at "bide" og trække emnet med din hånd ind i klingerne.
15. **Lad klingerne nå fuld hastighed, før den sættes mod arbejdsemnet.** Dette reducerer risikoen for, at arbejdsemnet slynget bort.
16. **Sluk for gerings-saven, hvis arbejdsemnet eller klingerne klemmer sig fast. Vent, til alle bevægelige dele er stoppet, og tag stikket ud af strømkilden og/eller fjern akkuen. Begynd derefter at frigøre det fastklemede materiale.** Fortsat savning med et fastklemt arbejdsemne kan medføre, at du mister kontrollen, eller beskadigelse af gerings-saven.
17. **Når et snit er færdigt, skal du slippe afbryderen, holde savhovedet nede og vente, til klingerne er stoppet, før du fjerner det afskårne stykke.** Det er farligt at stikke hånden hen til klingerne, mens den stadig kører.
18. **Hold godt fast i håndtaget, når der foretages et ufærdigt snit, eller hvis du slipper afbryderen, inden savhovedet er helt nede i den nederste position.** Savens bremsefunktion kan medføre, at savhovedet pludseligt trækkes nedad, og medføre risiko for personskade.
19. **Brug kun savklingen med den diameter, som er markeret på maskinen eller angivet i vejledningen.** Brug af en klinge med forkert størrelse kan muligvis påvirke den korrekte afskærmning af klingerne eller skærmfunktionen, hvilket muligvis kan resultere i alvorlig personskade.
20. **Brug kun savklinger, der er mærket med en hastighed svarende til eller større end den hastighed, der er angivet på maskinen.**
21. **Anvend ikke saven til at skære i andet end træ, aluminium eller lignende materialer.**
22. **(Kun for lande i Europa)  
Brug altid en klinge, der overholder EN847-1.**
4. **Anvend ikke saven, uden at beskyttelsesskærmene er på plads.** Kontrollér beskyttelsesskærmen for korrekt funktion før hver brug. **Anvend ikke saven, hvis beskyttelsesskærmen ikke bevæger sig frit og lukker øjeblikkeligt.** Beskyttelsesskærmen må aldrig klemmes eller bindes til åben position.
5. **Hold hænderne væk fra savklingsbane.** Undgå kontakt med klingerne, mens denne kører i frihjul. Dette kan stadig medføre alvorlig personskade.
6. **Fastgør altid bevægelige dele, før maskinen transporteres.**
7. **Stopstiften, som låser skærehovedet nede, er kun beregnet til transport- og opbevaringsformål og ikke til nogen form for skæring.**
8. **Efterse omhyggeligt klingerne for revner eller beskadigelse før brugen.** Udskift øjeblikkeligt en revnet eller beskadiget klinge. **Gummi og tjære, der hærdes mod klingerne, gør saven langsommere og øger risikoen for tilbageslag.** Hold klingerne rene ved først at tage den ud af maskinen og derefter rense den med gummi- og tjærefjerner, varmt vand eller petroleum. **Benyt aldrig benzin til at rense klingerne.**
9. **Anvend kun flanger, der er anbefalet til brug med denne maskine.**
10. **Sørg for ikke at beskadige akslen, flangerne (specielt monteringsfladen) eller boltene.** Beskadigelse af disse dele kan medføre beskadigelse af klingerne.
11. **Sørg for, at drejeskiven er fastlåst og ikke bevæger sig under brug.** Brug hullerne i foden til at fastgøre saven til en stabil arbejdsplatform eller bänk. **Anvend ALDRIG maskinen, hvis operatørens position kan blive akavet.**
12. **Sørg for, at spindellåsen er løsnet, før der tændes på afbryderen.**
13. **Sørg for, at klingerne ikke rører drejeskiven i nederste position.**
14. **Hold godt fast i håndtaget. Vær opmærksom på, at saven ved start og stop bevæger sig let op og ned.**
15. **Sørg for, at klingerne ikke er i berøring med arbejdsemnet, før der tændes på afbryderen.**
16. **Før maskinen anvendes på arbejdsemnet, skal den køre i tomgang et stykke tid.** Vær opmærksom på vibrationer eller rystelser, der kan være forårsaget af forkert montage eller manglende afbalancering af klingerne.
17. **Afbryd straks anvendelsen, hvis du bemærker noget unormalt under brugen.**
18. **Forsøg aldrig at fastlåse afbryderen i "TIL"-stillingen.**
19. **Anvend altid kun det tilbehør, der er anbefalet i denne brugsanvisning.** Anvendelse af forkert tilbehør, eksempelvis silbeskiver, kan medføre personskade.
20. **Nogle materialer indeholder kemikalier, der kan være giftige.** Sørg omhyggeligt for at undgå at indånde støv samt kontakt med huden. Følg materialeleverandørens sikkerhedsdata.

#### Yderligere instruktioner

1. **Gør dit værksted børnesikkert med hængelåse.**
2. **Stå aldrig på maskinen.** Det kan medføre alvorlig personskade, hvis maskinen vælter, eller ved utilsigtet kontakt med skæremaskinen.
3. **Lad aldrig maskinen køre uovervåget. Sluk for strømmen. Gå ikke fra maskinen, før den er stoppet helt.**

#### Yderligere sikkerhedsregler for laseren

1. **LASERSTRÅLING, UNDLAD AT SE IND I STRÅLEN ELLER AT BETRAGTE DEN DIREKTE MED OPTISKE INSTRUMENTER, KLASSE 2M LASERPRODUKT.**

## GEM DISSE FORSKRIFTER.

**⚠ ADVARSEL:** LAD IKKE bekvemmelighed eller kendskab til produktet (opnået gennem gentagen brug) forhindre, at sikkerhedsforskrifterne for produktet nøje overholdes. MISBRUG eller forsømmelse af at følge de i denne brugsvejledning givne sikkerhedsforskrifter kan medføre alvorlig personskade.

## MONTERING

### Montering på bænk

Ved leveringen af maskinen er håndtaget låst i den sænkede position ved hjælp af låsen til håndtaget. Frigør låsen til håndtaget ved at sænke håndtaget en smule og dreje låsen til håndtaget til den frigjorte position.

► **Fig.2:** 1. Lås til håndtag

Denne maskine skal fastgøres med fire bolte til en plan og stabil overflade ved hjælp af bolthullerne i maskinens bund. Dette hjælper med til at forhindre, at den vipper med personskade til følge.

► **Fig.3:** 1. Bolt

## FUNKTIONSBESKRIVELSE

### ⚠ FORSIGTIG:

- Sørg altid for, at der er slukket for maskinen, og at stikket er taget ud af stikkontakten, før du justerer maskinen eller kontrollerer dens funktion.

### Beskyttelsesskærm

► **Fig.4:** 1. Beskyttelsesskærm

Når håndtaget sænkes, hæves beskyttelsesskærmen automatisk. Beskyttelsesskærmen er fjederbelastet og vender tilbage til den oprindelige position, når arbejdet er afsluttet, og håndtaget hæves.

**BESKYTTELSESSKÆRMEN OG FJEDEREN PÅ SKÆRMEN MÅ ALDRIG SÆTTES UD AF FUNKTION ELLER FJERNES.**

For din personlige sikkerheds skyld skal du altid holde beskyttelsesskærmen i god stand. Enhver uregelmæssig funktion i beskyttelsesskærmen skal repareres med det samme. Kontroller, at den fjederbelastede beskyttelsesskærm returnerer. BRUG ALDRIG MASKINEN, HVIS BESKYTTELSESSKÆRMEN ELLER FJEDEREN ER BESKADIGET, DEFEKT ELLER MANGLER. DET ER YDERST FARLIGT AT GØRE DETTE OG KAN MEDFØRE ALVORLIG PERSONSKADE.

Hvis den gennemsigtige beskyttelsesskærm bliver snavset, eller savsmuld klæber til den på en sådan måde, at klingens ikke længere er let synlig, skal saven tages ud af stikkontakten, og beskyttelsesskærmen skal rengøres forsigtigt med en fugtig klud. Anvend ikke opløsningsmidler eller oliebaseerede rengøringsmidler på plastikbeskyttelsesskærmen.

Hvis beskyttelsesskærmen er meget snavset, og det er vanskeligt at se gennem skærmen, skal du bruge den medfølgende topnøgle til at løsne sekskantbolten, der holder midterafdækningen. Løsn sekskantbolten ved at dreje den i retningen mod uret, og løft beskyttelsesskærmen og midterafdækningen. Når beskyttelsesskærmen er placeret på denne måde, kan rengøring udføres mere komplet og effektivt. Udfør ovenstående procedure i omvendt rækkefølge, og fastgør bolten, når rengøringen er fuldført. Fjern ikke den fjeder, der holder beskyttelsesskærmen. Hvis beskyttelsesskærmen bliver misfarvet med tiden eller på grund af udsættelse for ultraviolet lys, skal du kontakte et Makita servicecenter for at få en ny skærm. **OMGÅ ELLER AFMONTER IKKE BESKYTTELSESSKÆRMEN.**

► **Fig.5:** 1. Beskyttelsesskærm

### Indlægsplade

► **Fig.6:** 1. Drejeskive 2. Indlægsplade

Denne maskine er udstyret med en indlægsplade i drejeskiven med det formål at minimere rivning på udgangssiden af en skæring. Hvis indlægsrillen endnu ikke er skåret ind i indlægspladen fra fabrikkens side, bør du skære rillen, før du faktisk bruger maskinen til at skære et arbejdsstykke. Tænd for maskinen, og sænk forsigtigt klingens for at skære en rille i indlægspladen.

### Vedligeholdelse af maksimal skæredybde

► **Fig.7:** 1. Gearhus 2. Sekskantmøtrik 3. Justeringsbolt

► **Fig.8:** 1. Øverste flade af drejeskiven 2. Kanten af klingens 3. Anslag

Denne maskine er fra fabrikken indstillet til at give den maksimale skærekapacitet med en 355 mm savklinge. Når der monteres en ny klinge, skal den nedre grænseposition på klingens kanten altid kontrolleres og, såfremt det er påkrævet, justeres som beskrevet herunder:

Tag først maskinen ud af stikkontakten. Sænk håndtaget helt. Løsn sekskantmøtrikken på bagsiden af gearhuset. Brug en skruetrækker til at dreje justeringsbolten, indtil kanten af klingens stikker en smule ud under drejeskivens øverste flade på det sted, hvor den forreste ende af anslaget og den øverste flade af drejeskiven mødes.

Tag maskinen ud af stikkontakten, og drej klingens kanten med hånden, idet du holder håndtaget helt nede, for at sikre dig, at klingens kanten kommer i berøring med nogen del af den nederste skive. Juster om nødvendigt en smule. Stram sekskantmøtrikken med en nøgle efter justeringen, idet du forsigtigt holder justeringsbolten på plads med skruetrækkeren.

Sørg på dette tidspunkt for, at håndtaget kan låses i den sænkede position ved at dreje låsen til håndtaget. Hvis håndtaget ikke kan låses på denne måde, skal du dreje justeringsbolten, så håndtaget kan låses i den sænkede position.

### ⚠ FORSIGTIG:

- Sørg altid for, når en ny klinge er monteret, at klingens kanten ikke kommer i berøring med nogen del af den nederste skive, når håndtaget sænkes helt. Gør altid dette med maskinen taget ud af stikkontakten.

## Justering af geringsvinklen

- **Fig.9:** 1. Viser 2. Låsearm 3. Geringsskala  
4. Indstillingsgreb

Løsn indstillingsgrebet ved at dreje det i retningen mod uret. Drej drejeskiven, idet der trykkes ned på låsearmen. Når du har flyttet indstillingsgrebet til den position, hvor viseren peger på den ønskede vinkel på geringsskalaen, strammes indstillingsgrebet forsvarligt i retningen med uret.

### ⚠ **FORSIGTIG:**

- Når drejeskiven drejes, skal håndtaget været helt hævet.
- Efter ændring af geringsvinklen skal drejeskiven altid sikres ved, at indstillingsgrebet spændes stramt til.

## Parallelanslagsplade

Parallelanslagspladen er beregnet til at forhindre mindre rester fra afskæring i at sætte sig fast inde i klingehuset. Parallelanslagspladen flyttes automatisk til højre eller venstre, når drejeskiven roteres.

## Afbryderfunktion

### ⚠ **FORSIGTIG:**

- Før maskinen tilkobles, skal du altid kontrollere, at afbryderknappen aktiveres korrekt og går tilbage i "FRA"-stillingen, når den slippes.

### ⚠ **ADVARSEL:**

- Anvend ALDRIG maskinen, hvis afbryderknappen ikke fungerer, som den skal. Enhver maskine med en afbryder, der ikke fungerer, er YDERST FARLIG og skal repareres, før den anvendes igen.

## For maskiner med lås fra-knap

- **Fig.10:** 1. Aflåseknap 2. Afbryderknap

### ⚠ **FORSIGTIG:**

- Når maskinen ikke betjenes, skal du fjerne aflåseknappen og opbevare den på et sikkert sted. Dette forhindrer uautoriseret anvendelse.
- Tryk ikke hårdt på afbryderknappen uden først at trykke aflåseknappen ind. Dette kan ødelægge afbryderen.

Før at forhindre, at afbryderknappen trykkes ind ved et uheld, er maskinen udstyret med en aflåseknap. Maskinen startes ved at trykke aflåseknappen ind og derefter trykke på afbryderknappen. Slip afbryderknappen for at stoppe.

### ⚠ **ADVARSEL:**

- Af hensyn til Deres sikkerhed er dette værktøj forsynet med en aflåseknap, der forhindrer utilsigtet start af værktøjet. Anvend ALDRIG værktøjet, hvis det kører, når blot De trykker på afbryderkontakten, uden at der først er trykket på aflåseknappen. Indlevér værktøjet til et Makita servicecenter til reparation FØR yderligere anvendelse.
- Du må ALDRIG fastgøre aflåseknappen med tape eller omgå dens formål og funktion.

## For maskiner uden aflåseknap

- **Fig.11:** 1. Afbryderknap

Tænd derefter for maskinen og vent, indtil klingen når fuld hastighed. Sænk derefter forsigtigt klingens snittet.

Maskinen startes ved blot at trykke på afbryderknappen. Slip afbryderknappen for at stoppe.

## SAMLING

### ⚠ **FORSIGTIG:**

- Sørg altid for, at maskinen er slukket og taget ud af stikkontakten, før du udfører nogen form for arbejde på maskinen.

## Montering eller afmontering af savklingen

### ⚠ **FORSIGTIG:**

- Vær altid sikker på, at maskinen er slukket og taget ud af stikkontakten, før klingens monteres eller afmonteres.
- Anvend kun den topnøgle, som er leveret af Makita, til at montere eller afmontere klingens sekskantbolt. Hvis du ikke gør det, kan det medføre en for hård eller for let tilspænding af sekskantbolten. Dette kan medføre personskaade.

## Afmontering af klingens sekskantbolt

Før afmontering af klingens sekskantbolt skal du bruge topnøglen til at løsne sekskantbolten, der holder midterafdækningen, ved at dreje den i retningen mod uret. Løft beskyttelsesskærmen og midterafdækningen.

- **Fig.12:** 1. Topnøgle

Tryk på spindellåsen, så spindlen låses, og anvend topnøglen til at løsne sekskantbolten i retningen mod uret. Fjern derefter sekskantbolten, den ydre flange og klingens sekskantbolt.

- **Fig.13:** 1. Spindellås

- **Fig.14:** 1. Topnøgle

## Montering af klingens sekskantbolt

Før at montere klingens sekskantbolt skal du placere den forsigtigt på spindelen, idet det kontrolleres, at retningen af pilen på klingens overflade svarer til retningen af pilen på klingehuset. Monter den ydre flange og sekskantbolten, og brug derefter topnøglen til at spænde sekskantbolten fast ved at dreje den i retningen med uret, mens der trykkes på spindellåsen.

- **Fig.15:** 1. Klingehus 2. Pil 3. Savklinge 4. Pil

### For andre typer end den europæiske type

- **Fig.16:** 1. Spindel 2. Indvendig flange 3. Klinge 4. Ydre flange 5. Sekskantbolt 6. 25,4 mm-mærke

### ⚠ **FORSIGTIG:**

- Den indvendige flange har en diameter på 25 mm på den ene side og en diameter på 25,4 mm på den anden side. Siden med en diameter på 25,4 mm er mærket "25.4". Brug den rigtige side til huldiameteren på den klinges forkerte side, når den monteres på den forkerte side, kan det medføre farlig vibration.

## For den europæiske type

- **Fig.17:** 1. Spindel 2. Indvendig flange 3. Klinge  
4. Ydre flange 5. Sekskantbolt

### **⚠FORSIGTIG:**

- **Sørg for, at 25 mm-fremspringet på den indvendige flange, der er placeret på ydersiden, passer perfekt ind i 25 mm-hullet på savklingen.** Hvis klingens monteres på den forkerte side, kan det medføre farlig vibration.

## Returnering af beskyttelseskærmen

Skub stiften på beskyttelseskærmen ind i åbningen på styrearmen, idet beskyttelseskærmen returneres til dens oprindelige helt lukkede position. Stram dernæst sekskantbolten i retningen med uret for at holde midterafdækningen fast. Sænk håndtaget for at sikre, at beskyttelseskærmen bevæger sig på korrekt vis. Sørg for, at spindelåsen har frigivet spindlen, før der skæres.

- **Fig.18:** 1. Stift 2. Styrearm

## Tilslutning af en støvsuger

Hvis du ønsker at udføre en ren skæreoperation, skal du tilslutte en Makita-støvsuger.

- **Fig.19**

## Støvpose

- **Fig.20:** 1. Støvtud 2. Støvpose 3. Lukkeskinne

Anvendelse af støvposen giver et rent arbejdsmiljø og gør det nemt at opsamle støv. Støvposen sættes på ved, at posens mundstykke sættes over støvmundstykket.

Når støvposen er cirka halvt fyldt, tages den af værktøjet, og lukkeskinnen trækkes ud. Tøm støvposen, og bank let på den, så de støvpartikler, der har samlet sig på de indvendige flader, og som kan nedsætte effektiviteten af støvopsamlingen, fjernes.

## Fastspænding af arbejdsemnet

### **⚠ADVARSEL:**

- Det er yderst vigtigt altid at sørge for, at arbejdsemnet er fastspændt korrekt og stramt i skruestikken. Forsømmelse af dette kan medføre beskadigelse af maskinen, og/eller at arbejdsemnet ødelægges. **DET KAN OGSÅ MEDFØRE PERSONSKADE.** Efter et snit må du desuden **IKKE** hæve klingens, før klingens er standset fuldstændigt.

### **⚠FORSIGTIG:**

- Ved skæring i lange arbejdsemner skal der benyttes støtter, der er lige så høje som den øverste overflade af drejeskiven. Forlad dig ikke udelukkende på den lodrette og/eller vandrette skruestik ved fastspænding af arbejdsemnet. Tynde materialer har tendens til at bøje. Understøt arbejdsemnet i hele dets længde, så det undgås, at klingens klemmes fast med risiko for **TILBAGESLAG.**

- **Fig.21:** 1. Støtte 2. Drejeskive

## Vandret skruestik (ekstraudstyr)

- **Fig.22:** 1. Fremspring 2. Skrueknop

Den vandrette skruestik kan enten monteres i venstre eller højre side af skiven. Ved udførelse af geringsnit med 15° eller derover skal den vandrette skruestik monteres i den side, der er modsat den retning, som drejeskiven skal drejes i. Ved at dreje skrueknappen i retningen mod uret, frigøres skruen, og skrue-spindelen kan bevæges hurtigt ind og ud. Ved at dreje skrueknappen i retningen med uret holdes skruen på plads. Arbejdsemnet fastholdes ved, at man drejer skrueknappen forsigtigt i retningen med uret, indtil fremspringet når den øverste position, og derefter spænder godt til. Hvis skrueknappen tvinges ind eller trækkes ud, mens den drejes i retningen med uret, kan fremspringet stoppe i en vinkel. I så fald skal skrueknappen drejes tilbage i retningen mod uret, indtil skruen frigøres, hvorefter den igen drejes forsigtigt i retningen med uret.

### **⚠FORSIGTIG:**

- Fastspænd kun arbejdsemnet, når fremspringet er i den øverste position. Forsømmelse af dette kan medføre, at arbejdsemnet ikke fastspændes ordentligt. Dette kan medføre, at arbejdsemnet slynges bort, hvilket kan beskadige klingens eller medføre, at man mister kontrollen, hvilket kan forårsage **PERSONSKADE.**

## Lodret skruestik (ekstraudstyr)

- **Fig.23:** 1. Skruestang 2. Skrue 3. Anslag  
4. Skrueknop 5. Skruarm

- **Fig.24:** 1. Skruestang 2. Skrue 3. Skrueknop  
4. Skruarm 5. Anslag

Den lodrette skruestik kan enten monteres i positionen til venstre eller til højre for anslaget. Sæt skruestangen ind i hullet på anslaget, og stram skruen for at holde skruestangen på plads. Indstil skruearmen efter arbejdsemnets tykkelse og form, og fastspænd den ved at stramme skruen. Hvis skruen til fastgørelse af skruearmen kommer i kontakt med anslaget, skal skruen monteres på den anden side af skruearmen. Sørg for, at ingen del af maskinen kommer i kontakt med skruestikken, når håndtaget sænkes helt. Hvis nogen dele berører skruestikken, bør skruestikken genindstilles. Tryk arbejdsemnet fladt mod anslaget og drejeskiven. Juster arbejdsemnet til den ønskede skråningsposition, og fastgør det ved at stramme skrueknappen.

### **⚠FORSIGTIG:**

- Arbejdsemnet bør være helt fastspændt mod drejeskiven og anslaget med skruestikken under alt arbejde.

## Montering af holderne (ekstraudstyr)

- **Fig.25:** 1. Holder 2. Skrue

Monter holderne på begge sider af skiven, og fastgør dem med skrue.



# ANVENDELSE

## ⚠️ FORSIGTIG:

- Før brugen skal du sørge for at frigøre håndtaget fra den nederste stilling ved at dreje låsen til håndtaget til den frigjorte position.
- Sørg for, at klingens ikke berører arbejdsområdet osv., før der tændes på afbryderen.
- Læg ikke for meget tryk på håndtaget, når der savnes. Et for kraftigt tryk kan resultere i overbelastning af motoren og/eller formindsket saveeffektivitet. Skub kun håndtaget ned med så megen kraft, som der kræves for at udføre ubesværet savning, og uden at klingens hastighed reduceres ret meget.
- Tryk forsigtigt håndtaget ned for at udføre savningen. Hvis håndtaget trykkes ned med magt, eller hvis det udsættes for sidelæns tryk, vil klingens vibrere og efterlade mærker (savmærker) på arbejdsområdet, og savningen vil muligvis ikke være nøjagtig.

## Savning ved tryk

### ► Fig.26

Fastspænd arbejdsområdet ved hjælp af skruestikken. Tænd for maskinen, uden at klingens er i kontakt, og vent, til klingens er kommet op på fuld hastighed, før den sænkes. Sænk derefter forsigtigt håndtaget til den helt sænkede position for at skære arbejdsområdet. Når skæringen er færdig, skal du slukke for maskinen og VENTE, TIL KLINGEN ER STOPPET HELT, før klingens returneres til dens øverste position.

## Geringsnit

Vi henviser til det tidligere afsnit "Justering af geringsvinklen".

## Skæring af aluminiumekstruderung

### ► Fig.27: 1. Vandret skruestik 2. Mellemblok 3. Aluminiumekstruderung 4. Anslag

Ved fastgøring af aluminiumekstruderungen skal der benyttes mellemblokke eller stykker af affaldstrø som vist i figuren til at forhindre deformation af aluminiummet. Brug et skæresmøremiddel ved skæring af aluminiumekstruderungen for at forhindre, at der opsamles aluminiumsmateriale på klingens.

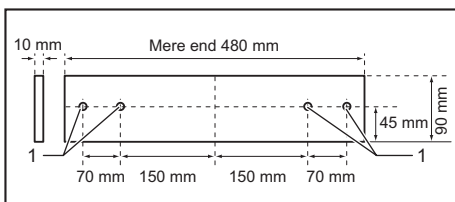
## ⚠️ FORSIGTIG:

- Forsøg aldrig at skære i tykke eller runde aluminiumekstruderungen. Tykke aluminiumekstruderungen kan rive sig løs under arbejdet, og runde aluminiumekstruderungen kan ikke fastgøres forsvarligt på denne maskine.

## Træanlæg

### ► Fig.28: 1. Anslag 2. Træanlæg

Anvendelse af træanlæg hjælper med til opnåelse af snit, der er fri for splinter. Fastgør et træanlæg til anslaget ved hjælp af hullerne i anslaget. Se illustrationen angående målene for et foreslået træanlæg.



1. Hul

## ⚠️ FORSIGTIG:

- Anvend et lige stykke træ med ensartet tykkelse som træanlæg.
- Anvend skruer til at fastgøre træanlægget på anslaget. Skrueene bør installeres således, at skruerhovederne er under overfladen på træanlægget.
- Når træanlægget er monteret, må De ikke dreje drejeskiven med håndtaget sænket. Klingens eller træanlægget vil i så fald lide skade.

## BEMÆRK:

- Når træanlægget er monteret, er den største skærekapacitet i bredden reduceret med tykkelsen af træanlægget.

## Skæring af ensartede længder

### ► Fig.29: 1. Indstillingsplade 2. Holder 3. Skruer

Hvis flere stykker materiale skal skæres til den samme længde mellem 300 mm og 400 mm, kan du opnå en effektivere operation ved at anvende indstillingspladen (ekstraudstyr). Monter indstillingspladen på holderen (ekstraudstyr) som vist på illustrationen. Ret snitlinjen på arbejdsområdet ind efter enten den venstre eller højre side af slidens i indlægspladen. Mens arbejdsområdet holdes, så det ikke kan bevæge sig, bringes indstillingspladen i flugt med enden af arbejdsområdet. Fastgør derefter indstillingspladen med skruen. Når indstillingspladen ikke anvendes, løsnes skruen, og indstillingspladen drejes væk, så den ikke er i vejen.

## BEMÆRK:

- Anvendelse af holderstangenheden (ekstraudstyr) muliggør savning af ensartede længder op til cirka 2.200 mm.

## Transport af værktøjet

### ► Fig.30: 1. Lås til håndtag

Kontroller, at maskinen ikke er sat i stikkontakt. Fastgør drejeskiven helt ved den højre geringsvinkel ved hjælp af indstillingsgrebet. Sænk håndtaget helt, og lås det i den nederste position ved at dreje låsen til håndtaget til den låste position. Bær maskinen ved at holde i begge sider af maskinens bund som vist i figuren. Hvis du fjerner holderne, støvposen osv., bliver det nemmere at bære maskinen.

### ► Fig.31

## ⚠️ FORSIGTIG:

- Fastgør altid alle bevægelige dele, før maskinen transporteres.
- Låsen til håndtaget er kun til transport- og opbevaringsformål og ikke til nogen form for skæring.



## VEDLIGEHOJDELSE

### **▲FORSIGTIG:**

- Sørg altid for, at maskinen er slukket og taget ud af stikkontakten, før du forsøger at udføre inspektion eller vedligeholdelse.
- Anvend aldrig benzin, rensebenzin, fortynder, alkohol og lignende. Det kan medføre misfarvning, deformation eller revner.

### **▲ADVARSEL:**

- Sørg altid for, at klingen er skarp og ren, for at opnå det bedste resultat.

## Justering af skærevinklen

Dette værktøj er omhyggeligt indstillet og justeret på fabrikken, men indstillingerne kan ændre sig under transport og brug. De kan selv foretage indstillinger som beskrevet herunder, hvis værktøjet ikke er indstillet korrekt:

### ► Fig.32: 1. Sekskantbolt

Løsn indstillingsgrebet, der holder drejeskiven. Drej drejeskiven, så viseren peger mod 0° på geringssskalaen. Drej derefter drejeskiven en smule i retningen med og mod uret for at stille drejeskiven i 0° geringsmærket. (Lad den være som den er, hvis viseren ikke peger mod 0°.) Løsn de sekskantbolte, der holder anslaget, ved hjælp af topnøglen. Sænk håndtaget helt, og lås det i den nederste position ved at dreje låsen til håndtaget til den låste position. Juster siden af klingens med siden af anslaget ved hjælp af en trekantslineal, anslagsvinkel osv. Fastsænder derefter sekskantboltene på anslaget i rækkefølge fra højre side.

### ► Fig.33: 1. Anslag 2. Trekantslineal

Sørg for, at viseren på indikatorpladen peger på 0° på geringssskalaen. Hvis viseren ikke peger på 0°, skal du løsne skruerne, der holder indikatorpladen, og justere den, så viseren peger på 0°.

### ► Fig.34: 1. Viser 2. Skrue 3. Geringssskala

## Justering af håndtaget til jævn funktion

### ► Fig.35: 1. Gearhus 2. Sekskantlåsémøtrik 3. Arm

Sekskantlåsémøtrikken, der holder gearhuset og armen, er justeret fra fabrikken for at sikre jævn funktion af håndtaget op og ned og for at sikre nøjagtig skæring. Undlad at ændre ved det. Hvis tilspændingen af gearhuset og armforbindelsen bliver for løs, skal du foretage følgende justering. Flyt håndtaget op og ned, idet sekskantlåsémøtrikken strammes. Det bedste sted at stramme sekskantlåsémøtrikken er, lige før motorværkserivægten er tydelig.

Når sekskantlåsémøtrikken er justeret, skal du sikre dig, at håndtaget automatisk går tilbage til den oprindelige løftede position fra enhver position. Hvis sekskantlåsémøtrikken er for løs, vil det påvirke nøjagtigheden af skæring. Hvis den er for stram, er det svært at flytte håndtaget op og ned. Bemærk, at den er en selv-løsende møtrik. Den er en særlig type, der ikke løses ved normal brug. Den bør ikke overspændes eller udskiftes med andre typer af møtrikker.

## Udskiftning af kulbørster

### ► Fig.36: 1. Slidgrænse

Fjern og kontroller regelmæssigt kulbørsterne. Udskift dem, når de er nedslidt til slidgrænsen. Hold kulbørsterne rene og fri til at glide i holderne. Begge kulbørster skal udskiftes samtidigt. Brug kun identiske kulbørster.

Brug en skruetrækker til at fjerne kulholderdækslerne. Tag de slidte kulbørster ud, indsæt de nye, og fastgør kulholderdækslerne.

### ► Fig.37: 1. Skruetrækker 2. Kulholderdæksel

## Efter anvendelse

- Efter anvendelse aftørres spåner eller støv, der måtte klæbe til værktøjet, med en klud eller lignende. Hold beskyttelseskærmen ren som beskrevet i det tidligere afsnit "Beskyttelseskærm". Smør de glidende dele med maskinolie for at forhindre rustdannelse. For at opretholde produktets SIKKERHED og PALIDELIGHED må reparation, vedligeholdelse eller justering kun udføres af et autoriseret Makita servicecenter med anvendelse af Makita reservedele.

## EKSTRAUDSTYR

**▲ADVARSEL:** Dette Makita udstyr og tilbehør bør anvendes sammen med den Makita maskine, der er beskrevet i denne brugsanvisning.

Anvendelse af andet ekstraudstyr eller tilbehør kan medføre alvorlig personskade.

**▲ADVARSEL:** Anvend kun Makita ekstraudstyr eller tilbehør til det beregnede formål. Misbrug af ekstraudstyr eller tilbehør kan medføre alvorlig personskade.

Hvis De behøver hjælp ved valg af tilbehør eller ønsker yderligere informationer, bedes De kontakte Deres lokale Makita servicecenter.

- Savklinge med hårdmetalplade (Se vores websted, eller kontakt den lokale Makita-forhandler angående de korrekte savklinger, der skal bruges til det materiale, der skal skæres.)
- Topnøgler
- Holdersæt
- Indstillingsplade
- Støvpøse
- Trekantslineal
- Skruestik (vandret skruestik)
- Skruestik (lodret skruestik)
- Aflåseknap (2 stk.)

### BEMÆRK:

- Nogle ting på denne liste kan være inkluderet i værktøjsspakken som standardtilbehør. Det kan være forskellige fra land til land.

## ΠΡΟΔΙΑΓΡΑΦΕΣ

Μοντέλο	LS1440	
Διάμετρος λάμας	355 mm	
Διάμετρος οπής	Για άλλες χώρες εκτός Ευρώπης	25 mm ή 25,4 mm (ανάλογα με τη χώρα)
	Για ευρωπαϊκές χώρες	25 mm
Μέγιστο πάχος εγκοπής της λάμας πριονιού	3,4 mm	
Μέγιστη λοξή γωνία	Αριστερά 45°, Δεξιά 45°	
Ταχύτητα χωρίς φορτίο	3.900 min <sup>-1</sup>	
Διαστάσεις (Μ x Π x Υ)	596 mm x 550 mm x 630 mm	
Καθαρό βάρος	33,1 kg	
Κλάση ασφάλειας	□/II	







- Λόγω του συνεχόμενου προγράμματος που εφαρμόζουμε για έρευνα και ανάπτυξη, τα τεχνικά χαρακτηριστικά στο παρόν έντυπο υπόκεινται σε αλλαγή χωρίς προειδοποίηση.
- Τα τεχνικά χαρακτηριστικά μπορεί να διαφέρουν από χώρα σε χώρα.
- Βάρος σύμφωνα με διαδικασία ΕΡΤΑ 01/2014

### Μέγ. ικανότητες κοπής (Υ x Π)

	Λοξή γωνία	
0°		45° (αριστερά και δεξιά)
122 mm x 152 mm		122 mm x 115 mm

### Σύμβολα

Παρακάτω παρουσιάζονται τα σύμβολα που χρησιμοποιούνται για τον εξοπλισμό. Βεβαιωθείτε ότι κατανοείτε τη σημασία τους πριν από τη χρήση.

	Διαβάστε το εγχειρίδιο οδηγιών.
	ΔΙΠΛΗ ΜΟΝΩΣΗ
	Για να αποφύγετε τον τραυματισμό από εκτοξευόμενα θραύσματα, να κρατάτε την κεφαλή του πριονιού προς τα κάτω μετά την ολοκλήρωση των κοπών, έως ότου η λάμα ακινητοποιηθεί εντελώς.
	Μην πλησιάζετε τα χέρια και τα δάκτυλά σας κοντά στη λάμα.
	Για την ασφάλειά σας, αφαιρέστε τα αποκοπτικά, μικρά τεμάχια κ.λπ. από το τραπέζι πριν τη λειτουργία.
	Μόνο για τις χώρες της ΕΕ Μην απορρίπτετε ηλεκτρικό εξοπλισμό μαζί με τα οικιακά απορρίμματα! Σύμφωνα με την Ευρωπαϊκή Οδηγία σχετικά με απόβλητο ηλεκτρικό και ηλεκτρονικό εξοπλισμό και την ενσωμάτωσή της στην εθνική νομοθεσία, ο ηλεκτρικός εξοπλισμός που έχει φτάσει το τέλος ζωής του πρέπει να συλλέγεται ξεχωριστά και να επιστρέφεται σε περιβαλλοντικά συμβατές εγκαταστάσεις ανακύκλωσης.

### Προοριζόμενη χρήση

Το εργαλείο προορίζεται για ευθείες και λοξές κοπές ακριβείας σε ξύλο. Με τις κατάλληλες λάμες πριονιού, μπορείτε να πριονίσετε και αλουμίνιο.

### Ηλεκτρική παροχή

Το εργαλείο πρέπει να συνδέεται μόνο με ηλεκτρική παροχή της ίδιας τάσης με αυτή που αναγράφεται στην πινακίδα ονομαστικών τιμών και μπορεί να λειτουργήσει μόνο με εναλλασσόμενο μονοφασικό ρεύμα. Υπάρχει διπλή μόνωση και κατά συνέπεια, μπορεί να γίνει σύνδεση σε ακροδέκτες χωρίς σύρμα γείωσης.

### Για δημόσια συστήματα διανομής ηλεκτρικού ρεύματος χαμηλής τάσης μεταξύ 220 V και 250 V

Η αλλαγή λειτουργιών ηλεκτρικής συσκευής προκαλεί διακυμάνσεις τάσης. Η λειτουργία αυτής της συσκευής κάτω από άσηχμες συνθήκες παροχής ηλεκτρικού ρεύματος μπορεί να έχει δυσμενή αποτελέσματα στη λειτουργία άλλου εξοπλισμού. Με μια σύνθετη αντίσταση ίση ή μικρότερη από 0,39 Ω, μπορεί να θεωρηθεί πιθανό ότι δεν θα προκύψουν αρνητικά αποτελέσματα. Η υποδοχή παροχής ρεύματος για την συσκευή αυτή πρέπει να προστατεύεται από μια ασφάλεια ή ένα προστατευτικό κύκλωμα διακόπτη που να έχει αργά χαρακτηριστικά αποσύνδεσης.

## Θόρυβος

Το τυπικό Α επίπεδο καταμετρημένου θορύβου καθορίζεται σύμφωνα με το EN62841-3-9:  
Στάθμη ηχητικής πίεσης ( $L_{pA}$ ): 94 dB (A)  
Στάθμη ηχητικής ισχύος ( $L_{WA}$ ): 105 dB (A)  
Αβεβαιότητα (K): 3 dB (A)

**ΠΑΡΑΤΗΡΗΣΗ:** Η δηλωμένη τιμή(ές) εκπομπής θορύβου έχει μετρηθεί σύμφωνα με την πρότυπη μέθοδο δοκιμής και μπορεί να χρησιμοποιηθεί για τη σύγκριση ενός εργαλείου με κάποιο άλλο.

**ΠΑΡΑΤΗΡΗΣΗ:** Η δηλωμένη τιμή(ές) εκπομπής θορύβου μπορεί να χρησιμοποιηθεί και στην προκαταρκτική αξιολόγηση της έκθεσης.

**▲ ΠΡΟΕΙΔΟΠΟΙΗΣΗ:** Να φοράτε ωτοασπίδες.

**▲ ΠΡΟΕΙΔΟΠΟΙΗΣΗ:** Η εκπομπή θορύβου κατά τη χρήση του ηλεκτρικού εργαλείου σε πραγματικές συνθήκες μπορεί να διαφέρει από τη δηλωμένη τιμή(ές) ανάλογα με τους τρόπους χρήσης του εργαλείου, ιδιαίτερα το είδος του τεμαχίου εργασίας που υπόκειται επεξεργασία.

**▲ ΠΡΟΕΙΔΟΠΟΙΗΣΗ:** Φροντίστε να λάβετε τα κατάλληλα μέτρα προστασίας του χειριστή βάσει ενός υπολογισμού της έκθεσης σε πραγματικές συνθήκες χρήσης (λαμβάνοντας υπόψη όλες τις συνιστώσες του κύκλου λειτουργίας όπως τους χρόνους που το εργαλείο είναι εκτός λειτουργίας και όταν βρίσκεται σε αδρανή λειτουργία πέραν του χρόνου ενεργοποίησης).

## Κραδασμός

Η ολική τιμή δόνησης (άθροισμα τρι-αξονικού διανύσματος) καθορίζεται σύμφωνα με το EN62841-3-9:  
Εκπομπή δόνησης ( $a_{h1}$ ): 2,5 m/s<sup>2</sup>  
Αβεβαιότητα (K): 1,5 m/s<sup>2</sup>

**ΠΑΡΑΤΗΡΗΣΗ:** Η δηλωμένη τιμή(ές) συνολικών κραδασμών έχει μετρηθεί σύμφωνα με την πρότυπη μέθοδο δοκιμής και μπορεί να χρησιμοποιηθεί για τη σύγκριση ενός εργαλείου με κάποιο άλλο.

**ΠΑΡΑΤΗΡΗΣΗ:** Η δηλωμένη τιμή(ές) συνολικών κραδασμών μπορεί να χρησιμοποιηθεί και στην προκαταρκτική αξιολόγηση της έκθεσης.

**▲ ΠΡΟΕΙΔΟΠΟΙΗΣΗ:** Η εκπομπή κραδασμών κατά τη χρήση του ηλεκτρικού εργαλείου σε πραγματικές συνθήκες μπορεί να διαφέρει από τη δηλωμένη τιμή(ές) εκπομπής ανάλογα με τους τρόπους χρήσης του εργαλείου, ιδιαίτερα το είδος του τεμαχίου εργασίας που υπόκειται επεξεργασία.

**▲ ΠΡΟΕΙΔΟΠΟΙΗΣΗ:** Φροντίστε να λάβετε τα κατάλληλα μέτρα προστασίας του χειριστή βάσει ενός υπολογισμού της έκθεσης σε πραγματικές συνθήκες χρήσης (λαμβάνοντας υπόψη όλες τις συνιστώσες του κύκλου λειτουργίας όπως τους χρόνους που το εργαλείο είναι εκτός λειτουργίας και όταν βρίσκεται σε αδρανή λειτουργία πέραν του χρόνου ενεργοποίησης).

## Δήλωση συμμόρφωσης ΕΚ

*Μόνο για χώρες της Ευρώπης*

Η δήλωση συμμόρφωσης ΕΚ περιλαμβάνεται ως Παράρτημα Α στο παρόν εγχειρίδιο οδηγιών.

## Γενικές προειδοποιήσεις ασφαλείας για το ηλεκτρικό εργαλείο

**▲ ΠΡΟΕΙΔΟΠΟΙΗΣΗ:** Διαβάστε όλες τις προειδοποιήσεις ασφάλειας, οδηγίες, εικονογραφίες και προδιαγραφές που παρέχονται με αυτό το ηλεκτρικό εργαλείο. Η μη τήρηση όλων των οδηγιών που αναγράφονται κατωτέρω μπορεί να καταλήξει σε ηλεκτροπληξία, πυρκαγιά ή/και σοβαρό τραυματισμό.

## Φυλάξτε όλες τις προειδοποιήσεις και τις οδηγίες για μελλοντική παραπομπή.

Στις προειδοποιήσεις, ο όρος «ηλεκτρικό εργαλείο» αναφέρεται σε ηλεκτρικό εργαλείο που τροφοδοτείται από την κύρια παροχή ηλεκτρικού ρεύματος (με ηλεκτρικό καλώδιο) ή σε ηλεκτρικό εργαλείο που τροφοδοτείται από μπαταρία (χωρίς ηλεκτρικό καλώδιο).

## Οδηγίες ασφάλειας για πριόνια λοξότμησης

1. Τα πριόνια λοξότμησης προορίζονται για την κοπή ξύλου ή ξυλοειδών προϊόντων. Δεν μπορούν να χρησιμοποιηθούν με λειαντικούς τροχούς αποκοπής για την κοπή σιδηρούχων υλικών όπως μπάρες, ράβδους, στελέχη, κτλ. Η λειαντική σκόνη προκαλεί την εμπλοκή των κινούμενων μερών, όπως του κάτω προφυλακτήρα. Οι σπινθήρες από τη λειαντική κοπή θα κάψουν τον κάτω προφυλακτήρα, το ένθετο εγκοπής και άλλα πλαστικά μέρη.
2. Χρησιμοποιήστε συγκρατητήρες για να στηρίξετε το τεμάχιο εργασίας με το χέρι, πρέπει πάντα να έχετε το χέρι σας τουλάχιστον 100 mm από κάθε πλευρά της λάμας πριονιού. Μη χρησιμοποιείτε αυτό το πριόνι για να κόψετε κομμάτια που είναι πολύ μικρά για να συγκρατήσετε με ασφάλεια ή να κρατήσετε με το χέρι. Αν υποθετήσετε το χέρι σας πολύ κοντά στη λάμα πριονιού, υπάρχει αυξημένος κίνδυνος τραυματισμός λόγω επαφής με τη λάμα.
3. Το τεμάχιο εργασίας πρέπει να είναι ακινητοποιημένο και να συγκρατείται ή να κρατείται επάνω στο φράχτη και τον πάγκο. Μην τροφοδοτείτε ποτέ το τεμάχιο εργασίας στη λάμα και μην κόβετε «με το χέρι». Τα τεμάχια εργασίας που δεν συγκρατούνται ή που κινούνται μπορούν να εκτοξευτούν με υψηλές ταχύτητες, προκαλώντας τραυματισμό.
4. Μην περνάτε ποτέ το χέρι σας πάνω από την ενδεξιμένη γραμμή κοπής, ούτε μπροστά ούτε πίσω από τη λάμα πριονιού. Είναι πολύ επικίνδυνο να στηρίζετε το τεμάχιο εργασίας με διασταυρωμένα χέρια, δηλαδή κρατάτε το τεμάχιο εργασίας στα δεξιά της λάμας πριονιού με το αριστερό χέρι σας, ή αντίστροφα.

► **Εικ. 1**

5. **Μη απλώνετε οποιοδήποτε χέρι πίσω από το φράχτη πιο κοντά από 100 mm από οποιαδήποτε πλευρά της λάμας πριονιού για να απομακρύνετε υπολείμματα ξύλου ή για να αποινδύητε άλλο λόγω ενώ η λάμα περιστρέφεται.** Η απόσταση της περιστρεφόμενης λάμας από το χέρι σας μπορεί να μην είναι προφανής και να τραυματίσετε σοβαρά.
6. **Επιθεωρήστε το τεμάχιο εργασίας σας πριν την κοπή. Αν το τεμάχιο εργασίας είναι καμπυλωμένο ή περιστραμμένο, συγκρατήστε το με την εξωτερική πρόσοψη της καμπύλης προς το φράχτη. Να βεβαιώνετε πάντα ότι δεν υπάρχουν κενό μεταξύ του τεμαχίου εργασίας, του φράχτη και του πάγκου κατά μήκος της γραμμής κοπής.** Τα λυσιγμένα ή περιστραμμένα τεμάχια εργασίας μπορούν να συσφαριστούν ή να μετατοπιστούν, και μπορεί να εμπλακούν στην περιστρεφόμενη λάμα πριονιού κατά την κοπή. Δεν πρέπει να υπάρχουν καρφιά ή ξένα αντικείμενα στο τεμάχιο εργασίας.
7. **Μη χρησιμοποιείτε το πριόνι αν υπάρχουν εργαλεία, υπολείμματα ξύλου, κτλ. επάνω στον πάγκο, θα πρέπει να υπάρχει μόνο το τεμάχιο εργασίας.** Τα υπολείμματα μικρού μεγέθους ή τα χαλαρά κομμάτια ξύλου ή άλλα αντικείμενα που μπορεί να έρθουν σε επαφή με την περιστρεφόμενη λάμα μπορεί να εκτοξευτούν με υψηλή ταχύτητα.
8. **Μην κόβετε ποτέ περισσότερα από ένα τεμάχια εργασίας ταυτόχρονα.** Τα πολλά στοιβαγμένα τεμάχια εργασίας δεν γίνεται να συγκρατηθούν ή να στηριχθούν σωστά και μπορεί να εμπλακούν στη λάμα ή να μετατοπιστούν κατά την κοπή.
9. **Βεβαιωθείτε ότι το πριόνι λοξότμησης είναι σταθερωμένο ή τοποθετημένο σε μια επίπεδη, σταθερή επιφάνεια πριν τη χρήση.** Μια επίπεδη και σταθερή επιφάνεια εργασίας μειώνει τον κίνδυνο αστάθειας του πριονιού λοξότμησης.
10. **Να προγραμματίζετε την εργασία σας. Κάθε φορά που αλλάζετε τη ρύθμιση της κωνικής γωνίας ή της λοξής γωνίας, να βεβαιώνετε ότι ο ρυθμιζόμενος φράχτης είναι σωστά ρυθμισμένος για να στηρίξει το τεμάχιο εργασίας καθώς και ότι δεν παρεμβαίνει με τη λάμα ή το σύστημα προστασίας.** Χωρίς να ενεργοποιήσετε το εργαλείο και χωρίς τεμάχιο εργασίας στον πάγκο, μετακινήστε τη λάμα πριονιού σε μια ολοκληρωμένη προσομοιωμένη κοπή για να βεβαιωθείτε ότι δεν θα υπάρχει καμία παρεμβολή ή κίνδυνος κοπής του φράχτη.
11. **Παράχετε επαρκή στήριξη, όπως επεκτάσεις πάγκου, τρίποδα πριονίσματος, κτλ. για ένα τεμάχιο εργασίας με πλάτος ή μήκος μεγαλύτερο από την επιφάνεια του πάγκου.** Τα τεμάχια εργασίας που είναι μακρύτερα ή πλατύτερα από τον πάγκο του πριονιού λοξότμησης μπορούν να ανατραπούν αν δεν υποστηρίζονται με ασφάλεια. Αν το αποκομμένο κομμάτι ή το τεμάχιο εργασίας ανατραπεί, μπορεί να ανασκωθεί ο κάτω προφυλακτήρας ή να εκτοξευτεί από την περιστρεφόμενη λάμα.
12. **Μη χρησιμοποιείτε κάποιο άλλο άτομο ως υποκατάστατο μιας επέκτασης πάγκου ή ως επιπρόσθετη στήριξη.** Η ασταθής στήριξη του τεμαχίου εργασίας μπορεί να προκαλέσει την εμπλοκή της λάμας ή τη μετατόπιση του τεμαχίου εργασίας κατά την εργασία κοπής, τραβώντας εσάς και το βοηθό μέσα στην περιστρεφόμενη λάμα.
13. **Το αποκομμένο κομμάτι δεν πρέπει να εμπλακεί ή να πιεστεί με οποιοδήποτε τρόπο επάνω σε μια περιστρεφόμενη λάμα πριονιού.** Αν περιοριστεί, δηλ. με τη χρήση αναστολέων μήκους, το αποκομμένο κομμάτι μπορεί να σφηνώσει επάνω στη λάμα και να εκτοξευτεί βίαια.
14. **Να χρησιμοποιείτε πάντα συγκρατητήρα ή μηχανισμό που έχει σχεδιαστεί για τη σωστή στήριξη στρογγυλεμένων υλικών όπως ράβδους ή σωληνώσεις.** Οι ράβδοι έχουν την τάση να κυλιούνται ενώ κοβόνται, προκαλώντας την εμπλοκή της λάμας και το τράβηγμα του τεμαχίου εργασίας μαζί με το χέρι σας μέσα στη λάμα.
15. **Αφήστε τη λάμα να αποκτήσει μέγιστη ταχύτητα πριν έρθει σε επαφή με το τεμάχιο εργασίας.** Έτσι θα μειωθεί ο κίνδυνος εκτόξευσης του τεμαχίου εργασίας.
16. **Αν το τεμάχιο εργασίας ή η λάμα εμπλακεί, απενεργοποιήστε το πριόνι λοξότμησης. Περιμένετε να ακινητοποιηθούν όλα τα κινούμενα μέρη και αποσυνδέστε το φιν από την πηγή τροφοδοσίας ή/και βγάλτε το πακέτο μπαταριών. Μετά, εργαστείτε για να ελευθερώσετε το υλικό που έχει εμπλακεί.** Το συνεχιζόμενο πριόνισμα με τεμάχιο εργασίας που έχει εμπλακεί μπορεί να προκαλέσει την απώλεια ελέγχου ή ζημιά στο πριόνι λοξότμησης.
17. **Αφού τελειώσετε την κοπή, αφήστε το διακόπτη, κρατήστε την κεφαλή πριονιού προς τα κάτω και περιμένετε να ακινητοποιηθεί η λάμα πριν αφαιρέσετε το αποκομμένο κομμάτι.** Είναι επικίνδυνο να τοποθετήσετε το χέρι σας κοντά σε λάμα που συνεχίζει να περιστρέφεται.
18. **Κρατήστε τη λαβή σταθερά όταν εκτελείτε μια ατελή κοπή ή όταν αφήνετε το διακόπτη πριν η κεφαλή πριονιού βρεθεί πλήρως στην κάτω θέση.** Η ενέργεια πέδησης του πριονιού μπορεί να προκαλέσει το ξαφνικό τράβηγμα της κεφαλής πριονιού προς τα κάτω, προκαλώντας κίνδυνο τραυματισμού.
19. **Χρησιμοποιείτε μόνο τη λάμα πριονιού με τη διάμετρο που είναι επισημασμένη στο εργαλείο ή που καθορίζεται στο εγχειρίδιο.** Η χρήση μιας λάμας λανθασμένου μεγέθους μπορεί να επηρεάσει τη σωστή προστασία της λάμας ή τη λειτουργία του προφυλακτήρα, γεγονός που μπορεί να έχει ως αποτέλεσμα σοβαρό προσωπικό τραυματισμό.
20. **Να χρησιμοποιείτε μόνο λάμες πριονιού που είναι επισημασμένες με ταχύτητα ίση με ή υψηλότερη από την ταχύτητα που είναι επισημασμένη στο εργαλείο.**
21. **Μη χρησιμοποιείτε το πριόνι για να κόψετε οτιδήποτε άλλο εκτός από ξύλο, αλουμίνιο ή παρόμοια υλικά.**
22. **(Για τις Ευρωπαϊκές χώρες μόνο)** Να χρησιμοποιείτε πάντα λάμα που συμμορφώνεται με το πρότυπο EN847-1.

## Επιπρόσθετες οδηγίες

1. Χρησιμοποιήστε λουκέτα για να καταστήσετε το συνεργείο ασφαλές για παιδιά.
2. Ποτέ μην στέκεστε πάνω στο εργαλείο. Μπορεί να προκληθεί σοβαρός τραυματισμός αν το εργαλείο ανατραπεί ή αν αγγίξετε κατά λάθος το εργαλείο κοπής.
3. Μην αφήνετε ποτέ το εργαλείο σε λειτουργία αν δεν το προσέχετε. Απενεργοποιήστε την ισχύ. Μην αφήσετε το εργαλείο μέχρι να ακινητοποιηθεί εντελώς.
4. Μη χειρίζεστε το εργαλείο χωρίς τους προφυλακτήρες στη θέση τους. Ελέγξτε τον προφυλακτήρα λάμας για κανονικό κλείσιμο πριν από κάθε χρήση. Μη θέτετε το πριόνι σε λειτουργία αν ο προφυλακτήρας λάμας δεν κινείται ελεύθερα και δεν κλείνει αμέσως. Ποτέ μη σφίξετε ή δέσετε τον προφυλακτήρα λάμας στη θέση ανοίγματος.
5. Κρατάτε τα χέρια μακριά από την τροχιά της λάμας πριονιού. Αποφύγετε επαφή και με λάμες μικρής ταχύτητας. Μπορεί επίσης να προκαλέσουν σοβαρό τραυματισμό.
6. Να ασφαρίζετε πάντα όλα τα κινούμενα μέρηματα πριν μεταφέρετε το εργαλείο.
7. Ο ανασταλτικός πείρος που κλειδώνει την κεφαλή του κόπτη κάτω είναι μόνο για τον σκοπό μεταφοράς και αποθήκευσης και όχι για λειτουργίες κοπής.
8. Πριν από τη λειτουργία, να ελέγχετε προσεχτικά τη λάμα για ραγίσματα ή ζημιά. Να αντικαθιστάτε αμέσως ραγισμένη ή κατεστραμμένη λάμα. Η κόλλα και τα πριονίσματα ξύλου που έχουν ξεραθεί επάνω στις λάμες επιβραδύνουν το πριόνι και αυξάνουν την πιθανότητα κλοτσήματος. Διατηρείτε τη λάμα καθαρή αφού πρώτα τη βγάλετε από το εργαλείο και μετά την καθαρίσετε με καθαριστικό για κόλλα και πριονίσματα, ζεστό νερό ή κηροζίνη. Μην χρησιμοποιείτε ποτέ βενζίνη για να καθαρίσετε τη λάμα.
9. Χρησιμοποιείτε μόνο τις ειδικές φλάντζες για το εργαλείο αυτό.
10. Προσέξτε να μη κάνετε ζημιά στην άτρακτο, στις φλάντζες (ειδικά στην επιφάνεια εγκατάστασης) ή στο μπουλόνι. Ζημιά στα εξαρτήματα αυτά μπορεί να προκαλέσει σπάσιμο της λάμας.
11. Να βεβαιώνετε ότι η περιστροφική βάση είναι κατάλληλα ασφαλισμένη, ώστε να μη μετακινήσει κατά τη λειτουργία. Χρησιμοποιήστε τις σπές στη βάση για να στερεώσετε το πριόνι σε μια σταθερή πλατφόρμα εργασίας ή πάγκο. Μην χρησιμοποιείτε ΠΟΤΕ εργαλείο όταν η στάση του χειριστή μπορεί να είναι αδέξια.
12. Να βεβαιώνετε ότι η ασφάλιση άξονα είναι ελεύθερη πριν ενεργοποιήσετε τον διακόπτη.
13. Να βεβαιώνετε ότι η λάμα δεν αγγίζει την περιστροφική βάση στην κατώτατη θέση.
14. Να κρατάτε σταθερά τη λαβή. Έχετε υπόψη σας ότι το πριόνι κινείται πάνω και κάτω ελαφρά κατά το ξεκίνημα και το σταμάτημα.
15. Να βεβαιώνετε ότι η λάμα δεν αγγίζει το τεμάχιο εργασίας πριν την ενεργοποίηση του διακόπτη.

16. Πριν χρησιμοποιήσετε το εργαλείο στο πραγματικό τεμάχιο εργασίας, αφήστε το να τρέξει για λίγο. Παρακολουθήστε το για κραδασμούς ή ταλαντώσεις που μπορεί να δείχνουν κακή τοποθέτηση ή κακή ισοζύγηση λάμας.
17. Σταματήστε αμέσως τη λειτουργία εάν παρατηρήσετε κάτι αφύσικο.
18. Μην προσπαθήσετε να κλειδώσετε τη σκανδάλη στη θέση «ΕΝΕΡΓΟΠΟΙΗΣΗΣ».
19. Να χρησιμοποιείτε πάντα τα ανταλλακτικά που συνιστώνται στο εγχειρίδιο αυτό. Η χρήση ακατάλληλων ανταλλακτικών όπως λειαντικών τροχών μπορεί να προκαλέσει τραυματισμό.
20. Μερικά υλικά περιέχουν χημικά που μπορεί να είναι τοξικά. Να προσέχετε ώστε να αποφεύγετε την εισπνοή σκόνης και την επαφή με το δέρμα. Να ακολουθείτε τα δεδομένα ασφαλείας του προμηθευτή υλικού.

Πρόσθετοι κανόνες ασφαλείας για το λείζερ

1. **ΑΚΤΙΝΟΒΟΛΙΑ ΛΕΙΖΕΡ, ΜΗΝ ΚΟΙΤΑΤΕ ΜΕΣΑ ΣΤΗ ΔΕΣΜΗ ΚΑΙ ΜΗΝ ΠΡΟΒΑΛΕΤΕ ΚΑΤΕΥΘΕΙΑ ΜΕ ΟΠΤΙΚΑ ΟΡΓΑΝΑ, ΠΡΟΪΟΝ ΛΕΙΖΕΡ ΤΑΞΗΣ 2M.**

## ΦΥΛΑΞΕΤΕ ΑΥΤΕΣ ΤΙΣ ΟΔΗΓΙΕΣ.

**▲ ΠΡΟΕΙΔΟΠΟΙΗΣΗ:** ΜΗΝ επιτρέψετε στην άνεση ή στην εξοικειώσή σας με το προϊόν (που αποκτήθηκε από επανειλημμένη χρήση) να αντικαταστήσει την αυστηρή τήρηση των κανόνων ασφαλείας του παρόντος εργαλείου. Η **ΛΑΝΘΑΣΜΕΝΗ ΧΡΗΣΗ** ή η αμέλεια να ακολουθήσετε τους κανόνες ασφαλείας που διατυπώνονται στο παρόν εγχειρίδιο οδηγίων μπορεί να προκαλέσει σοβαρό προσωπικό τραυματισμό.

## ΤΟΠΟΘΕΤΗΣΗ

### Στερέωση στον πάγκο

Κατά την αποστολή του εργαλείου, η λαβή είναι κλειδωμένη στην κάτω θέση με την ασφάλεια λαβής. Απασφαλίστε την ασφάλεια της λαβής χαμηλώνοντας λίγο τη λαβή και γυρίστε την ασφάλεια στη θέση απασφάλισης.

► **Εικ.2:** 1. Ασφάλεια λαβής

Το εργαλείο αυτό πρέπει να είναι βιδωμένο με τέσσερα μπουλόνια σε μια επίπεδη και σταθερή επιφάνεια χρησιμοποιώντας τις σπές για μπουλόνια που παρέχονται στη βάση του εργαλείου. Αυτό θα βοηθήσει στην αποφυγή ανατροπής και πιθανού τραυματισμού.

► **Εικ.3:** 1. Μπουλόνι



## ΠΕΡΙΓΡΑΦΗ ΛΕΙΤΟΥΡΓΙΑΣ

### ΠΡΟΣΟΧΗ:

- Να βεβαιώνετε πάντα ότι το εργαλείο είναι σβηστό και αποσυνδεδεμένο από την ηλεκτρική παροχή πριν ρυθμίσετε ή ελέγχετε κάποια λειτουργία του εργαλείου.

## Προφυλακτήρας λάμας

### ► **Εικ.4:** 1. Προφυλακτήρας λάμας

Όταν χαμηλώνετε τη λαβή, ο προφυλακτήρας λάμας ανυψώνεται αυτόματα. Ο προφυλακτήρας έχει ελατήρια ώστε να επιστρέφει στην αρχική του θέση όταν η κοπή έχει συμπληρωθεί και η λαβή έχει ανυψωθεί. ΜΗΝ ΠΑΡΑΒΙΑΖΕΤΕ ΚΑΙ ΜΗΝ ΑΦΑΙΡΕΙΤΕ ΠΟΤΕ ΤΟΝ ΠΡΟΦΥΛΑΚΤΗΡΑ ΛΑΜΑΣ Ή ΤΟ ΕΛΑΤΗΡΙΟ ΠΟΥ ΣΥΝΔΕΕΤΑΙ ΜΕ ΤΟΝ ΠΡΟΦΥΛΑΚΤΗΡΑ.

Για την προσωπική σας ασφάλεια, να διατηρείτε πάντα τον προφυλακτήρα λάμας σε καλή κατάσταση. Οποιαδήποτε ακανόνιστη λειτουργία του προφυλακτήρα λάμας θα πρέπει να διορθωθεί αμέσως. Ελέγξτε να βεβαιωθείτε για τη δράση του ελατηρίου επαναφοράς του προφυλακτήρα. ΜΗ ΧΡΗΣΙΜΟΠΟΙΗΣΕΤΕ ΠΟΤΕ ΤΟ ΕΡΓΑΛΕΙΟ ΕΑΝ Ο ΠΡΟΦΥΛΑΚΤΗΡΑΣ ΛΑΜΑΣ Ή ΤΟ ΕΛΑΤΗΡΙΟ ΕΧΕΙ ΥΠΟΣΤΕΙ ΖΗΜΙΑ, ΒΛΑΒΗ Ή ΕΧΕΙ ΑΦΑΙΡΕΘΕΙ. ΕΙΝΑΙ ΠΟΛΥ ΕΠΙΚΙΝΔΥΝΟ ΝΑ ΤΟ ΚΑΝΕΤΕ ΑΥΤΟ ΚΑΙ ΜΠΟΡΕΙ ΝΑ ΠΡΟΚΛΗΘΕΙ ΣΟΒΑΡΟΣ ΠΡΟΣΩΠΙΚΟΣ ΤΡΑΥΜΑΤΙΣΜΟΣ.

Αν συσσωρευτούν ακαθαρσίες στο διάφανο προφυλακτήρα λάμας, ή έχει προσκολληθεί πριονίδι ώστε να μην είναι πλέον ορατή η λάμα, αποσυνδέστε το πριόνι από την παροχή ρεύματος και καθαρίστε τον προφυλακτήρα προσεκτικά με ένα υγρό πανί. Μην χρησιμοποιείτε διαλύτες ή καθαριστικά με βάση το πετρέλαιο στον πλαστικό προφυλακτήρα. Αν ο προφυλακτήρας λάμας είναι ιδιαίτερα βρόμικος και η ορατότητα μέσα από τον προφυλακτήρα είναι μειωμένη, χρησιμοποιήστε το παρεχόμενο σκληρωτό κλειδί για να χαλαρώσετε το εξαγωνικό μπουλόνι κρατώντας το κεντρικό κάλυμμα. Χαλαρώστε το εξαγωνικό μπουλόνι περιστρέφοντάς το αριστερόστροφα και σηκώστε τον προφυλακτήρα λάμας και το κεντρικό κάλυμμα. Με τον προφυλακτήρα λάμας σε αυτή τη θέση, μπορείτε να επιτύχετε πιο ολοκληρωμένο και αποδοτικό καθαρισμό. Όταν ο καθαρισμός ολοκληρωθεί, ακολουθήστε την ανωτέρω διαδικασία με αντίστροφη σειρά και ασφαλίστε το μπουλόνι. Μην αφαιρέσετε τον ελατηριώχο προφυλακτήρα λάμας. Αν ο προφυλακτήρας αποχρωματιστεί λόγω φθοράς ή έκθεσης σε ακτινοβολία UV, απευθυνθείτε σε κάποιο κέντρο σέρβις της Makita για έναν καινούριο προφυλακτήρα. ΜΗΝ ΕΞΟΥΔΕΤΕΡΩΣΕΤΕ Ή ΑΦΑΙΡΕΣΕΤΕ ΤΟΝ ΠΡΟΦΥΛΑΚΤΗΡΑ.

### ► **Εικ.5:** 1. Προφυλακτήρας λάμας

## Σανίδα εγκοπής

### ► **Εικ.6:** 1. Περιστροφική βάση 2. Σανίδα εγκοπής

Αυτό το εργαλείο είναι εφοδιασμένο με σανίδα εγκοπής στην περιστροφική βάση του για να ελαχιστοποιεί το σχίσμο στην πλευρά εξόδου μιας κοπής. Αν το αυλάκι σανίδας δεν έχει κοπεί στη σανίδα εγκοπής εργοστασιακά, θα πρέπει να κόψετε εσείς το αυλάκι πριν χρησιμοποιήσετε το εργαλείο για την κοπή ενός τεμαχίου εργασίας. Ενεργοποιήστε το εργαλείο και χαμηλώστε σιγά τη λάμα για να κόψετε ένα αυλάκι στη σανίδα εγκοπής.

## Διατήρηση της μέγιστης ικανότητας κοπής

- **Εικ.7:** 1. Περιβλήμα οδοντοτροχού 2. Εξαγωνικό παξιμάδι 3. Ρυθμιστικό μπουλόνι
- **Εικ.8:** 1. Άνω επιφάνεια της περιστροφικής βάσης 2. Περιφέρεια της λάμας 3. Φράχτης οδηγός

Αυτό το εργαλείο είναι εργοστασιακά ρυθμισμένο για να παρέχει τη μέγιστη ικανότητα κοπής για μια λάμα πριονιού 355 mm. Όταν τοποθετείτε μια νέα λάμα, να ελέγχετε πάντα την κάτω οριζική θέση της λάμας, και αν είναι απαραίτητο, ρυθμίστε ως εξής: Πρώτα, αποσυνδέστε το εργαλείο από το ηλεκτρικό ρεύμα. Χαμηλώστε εντελώς τη λαβή. Χαλαρώστε το εξαγωνικό παξιμάδι στο πίσω μέρος του περιβλήματος οδοντοτροχού. Χρησιμοποιήστε ένα καταβιδί για να περιστρέψετε το ρυθμιστικό μπουλόνι μέχρι η περιφέρεια της λάμας να επεκταθεί λίγο κάτω από την άνω επιφάνεια της περιστροφικής βάσης στο σημείο όπου η πρόσωση του φράχτη οδηγού συναντήσει την άνω επιφάνεια της περιστροφικής βάσης.

Με το εργαλείο αποσυνδεδεμένο από την ηλεκτρική παροχή, περιστρέψτε τη λάμα με το χέρι ενώ κρατάτε τη λαβή τέρμα κάτω για να βεβαιωθείτε ότι η λάμα δεν έρχεται σε επαφή με κανένα τμήμα της κάτω βάσης. Επαναρυθμίστε ελαφρώς, εάν είναι απαραίτητο. Μετά τη ρύθμιση, σφίξτε το εξαγωνικό παξιμάδι με το κλειδί κρατώντας προσεκτικά το ρυθμιστικό μπουλόνι στη σωστή θέση με το καταβιδί.

Βεβαιωθείτε τότε ότι η λαβή μπορεί να κλειδώνει στην κάτω θέση περιστρέφοντας την ασφάλεια της λαβής. Αν η λαβή δεν μπορεί να κλειδώσει έτσι, περιστρέψτε το ρυθμιστικό μπουλόνι έτσι ώστε η λαβή να μπορεί να κλειδώσει στην κάτω θέση.

### ΠΡΟΣΟΧΗ:

- Μετά από την τοποθέτηση νέας λάμας, φροντίστε κάθε φορά ώστε η λάμα να μην έρχεται σε επαφή με οποιοδήποτε μέρος της κάτω βάσης όταν χαμηλώνετε πλήρως τη λαβή. Η ενέργεια αυτή πρέπει να γίνεται πάντα με το εργαλείο αποσυνδεδεμένο από την ηλεκτρική παροχή.

## Ρύθμιση της λοξής γωνίας

- **Εικ.9:** 1. Δείκτης 2. Μοχλός ασφάλισης 3. Κλίμακα λοξής γωνίας 4. Λαβή

Χαλαρώστε τη λαβή περιστρέφοντάς την αριστερόστροφα. Περιστρέψτε την περιστροφική βάση ενώ πιέζετε κάτω το μοχλό ασφάλισης. Όταν έχετε μετακινήσει τη λαβή στη θέση όπου ο δείκτης είναι στραμμένος στην επιθυμητή γωνία στη λοξή κλίμακα, σφίξτε με ασφάλεια τη λαβή δεξιόστροφα.

### ΠΡΟΣΟΧΗ:

- Όταν γυρίζετε την περιστροφική βάση, να βεβαιώνετε ότι ανυψώνετε τη λαβή εντελώς.
- Αφού αλλάξετε τη λοξή γωνία, πάντοτε να ασφαλίσετε την περιστροφική βάση σφίγγοντας τη λαβή σταθερά.

## Πλάκα φράχτη

Η πλάκα φράχτη σχεδιάστηκε για να αποτρέψει την εμπλοκή μικρότερων υπολειμμάτων κοπής μέσα στη θήκη λάμας. Η πλάκα φράχτη κινείται αυτόματα δεξιά ή αριστερά, καθώς περιστρέφεται η περιστροφική βάση.



## Δράση διακόπτη

### **▲ ΠΡΟΣΟΧΗ:**

- Πριν από τη σύνδεση του εργαλείου στην ηλεκτρική παροχή, να ελέγχετε πάντα ότι η σκανδάλη διακόπτης ενεργοποιείται σωστά και επιστρέφει στην ανενεργή θέση «ANENERGO» όταν την αφήνετε.

### **▲ ΠΡΟΕΙΔΟΠΟΙΗΣΗ:**

- ΠΟΤΕ μη χρησιμοποιήσετε εργαλείο χωρίς πλήρως λειτουργική σκανδάλη διακόπτη. Οποιοδήποτε εργαλείο με διακόπτη εκτός λειτουργίας είναι ΕΞΑΙΡΕΤΙΚΑ ΕΠΙΚΙΝΔΥΝΟ και απαιτείται επισκευή του πριν από περαιτέρω χρήση.

## Για εργαλείο με κουμπί κλειδώματος

- **Εικ.10:** 1. Κουμπί κλειδώματος 2. Σκανδάλη διακόπτης

### **▲ ΠΡΟΣΟΧΗ:**

- Όταν το εργαλείο δεν χρησιμοποιείται, πιέστε το κουμπί κλειδώματος και αποθηκεύστε το σε ασφαλές μέρος. Αυτό αποτρέπει τυχόν μη εξουσιοδοτημένη λειτουργία.
- Μην τραβάτε τη σκανδάλη διακόπτη δυνατά χωρίς να πατήσετε μέσα το κουμπί κλειδώματος. Αυτό μπορεί να προκαλέσει βλάβη του διακόπτη.

Για να εμποδιστεί το τυχαίο τράβηγμα της σκανδάλης διακόπτη, υπάρχει ένα κουμπί κλειδώματος. Για να ξεκινήσει το εργαλείο, πατήστε μέσα το κουμπί κλειδώματος και πατήστε τη σκανδάλη διακόπτη. Αφήστε τη σκανδάλη διακόπτη για διακοπή της λειτουργίας.

### **▲ ΠΡΟΕΙΔΟΠΟΙΗΣΗ:**

- Για την ασφάλειά σας, αυτό το εργαλείο είναι εφοδιασμένο με ένα κουμπί κλειδώματος που εμποδίζει το εργαλείο να ξεκινήσει κατά λάθος. ΠΟΤΕ μη χρησιμοποιείτε το εργαλείο εάν λειτουργεί όταν απλώς πατάτε τη σκανδάλη διακόπτη χωρίς να πατήσετε το κουμπί κλειδώματος. Επιστρέψτε το εργαλείο σε ένα κέντρο εξυπηρέτησης Makita για κατάλληλες επισκευές ΠΡΙΝ την περαιτέρω χρήση.
- ΠΟΤΕ μην κολλάτε το μοχλό απασφάλισης στην πατημένη θέση του και ΠΟΤΕ μην παρακάμπετε το σκοπό του κουμπιού κλειδώματος.

## Για εργαλείο χωρίς κουμπί κλειδώματος

- **Εικ.11:** 1. Σκανδάλη διακόπτης

Ενεργοποιήστε το εργαλείο και περιμένετε έως ότου η λάμα φτάσει στην τελική ταχύτητα. Μετά κατεβάστε ομαλά τη λάμα στο σημείο που θέλετε να κοπεί.

Για να ξεκινήσετε το εργαλείο, απλώς τραβήξτε τη σκανδάλη διακόπτη. Αφήστε τη σκανδάλη διακόπτη για διακοπή της λειτουργίας.

## ΣΥΝΑΡΜΟΛΟΓΗΣΗ

### **▲ ΠΡΟΣΟΧΗ:**

- Να βεβαιώνετε πάντα ότι το εργαλείο είναι απενεργοποιημένο και αποσυνδεδεμένο από την πρίζα πριν εκτελέσετε οποιαδήποτε εργασία στο εργαλείο.

## Τοποθέτηση ή αφαίρεση της λάμας πριονιού

### **▲ ΠΡΟΣΟΧΗ:**

- Να βεβαιώνετε πάντα ότι το εργαλείο είναι σβηστό και αποσυνδεδεμένο από την ηλεκτρική παροχή πριν τοποθετήσετε ή αφαιρέσετε τη λάμα.
- Χρησιμοποιείτε μόνο το παρεχόμενο σωληνωτό κλειδί Makita για να τοποθετήσετε ή να αφαιρέσετε τη λάμα. Αν δεν το κάνετε αυτό, μπορεί να σφίξει υπερβολικά ή να μη σφίξει αρκετά το εξαγωνικό μπουλόνι. Αυτό μπορεί να προκαλέσει τραυματισμό.

## Αφαίρεση της λάμας

Για να αφαιρέσετε τη λάμα, χρησιμοποιήστε το σωληνωτό κλειδί για να χαλαρώσετε το εξαγωνικό μπουλόνι κρατώντας το κεντρικό κάλυμμα, περιστρέφοντάς το αριστερόστροφα. Σηκώστε τον προφυλακτήρα λάμας και το κεντρικό κάλυμμα.

- **Εικ.12:** 1. Σωληνωτό κλειδί

Πατήστε την ασφάλεια άξονα για να κλειδώσετε τον αξονίσκο και χρησιμοποιήστε το σωληνωτό κλειδί για να χαλαρώσετε το εξαγωνικό μπουλόνι αριστερόστροφα. Κατόπιν, αφαιρέστε το εξαγωνικό μπουλόνι, την εξωτερική φλάντζα και τη λάμα.

- **Εικ.13:** 1. Ασφάλεια άξονα

- **Εικ.14:** 1. Σωληνωτό κλειδί

## Τοποθέτηση λάμας

Για να τοποθετήσετε τη λάμα, στερεώστε την προσεκτικά επάνω στον αξονίσκο, φροντίζοντας η κατεύθυνση του βέλους στην επιφάνεια της λάμας να ταιριάζει με την κατεύθυνση του βέλους στη θήκη λάμας. Τοποθετήστε την εξωτερική φλάντζα και το εξαγωνικό μπουλόνι, και μετά χρησιμοποιήστε το σωληνωτό κλειδί για να σφίξετε με ασφάλεια το εξαγωνικό μπουλόνι δεξιόστροφα ενώ πιέζετε την ασφάλεια άξονα.

- **Εικ.15:** 1. Θήκη λάμας 2. Βέλος 3. Λάμα πριονιού 4. Βέλος

### Για άλλον τύπο εκτός του ευρωπαϊκού

- **Εικ.16:** 1. Αξονίσκος 2. Εσωτερική φλάντζα 3. Λάμα 4. Εξωτερική φλάντζα 5. Εξαγωνικό μπουλόνι 6. Σήμανση 25,4 mm

### **▲ ΠΡΟΣΟΧΗ:**

- Η εσωτερική φλάντζα έχει διάμετρο 25 mm στη μία πλευρά και διάμετρο 25,4 mm στην άλλη πλευρά. Η πλευρά με διάμετρο 25,4 mm φέρει τη σήμανση «25.4». Χρησιμοποιήστε τη σωστή πλευρά ανάλογα με τη διάμετρο οπής της λάμας που σκοπεύετε να χρησιμοποιήσετε. Εάν στερεώσετε τη λάμα στη λανθασμένη πλευρά, μπορεί να προκληθεί επικίνδυνος κραδασμός.

## Για ευρωπαϊκό τύπο

- **Εικ.17:** 1. Αξονίσκος 2. Εσωτερική φλάντζα 3. Λάμα  
4. Εξωτερική φλάντζα 5. Εξαγωνικό μπουλόνι

### ▲ ΠΡΟΣΟΧΗ:

- Βεβαιωθείτε ότι η προεξοχή 25 mm στην εσωτερική φλάντζα που είναι τοποθετημένη εξωτερικά εφαρμόζει απόλυτα στην οπή 25 mm της λάμας πριονιού. Εάν στερεώσετε τη λάμα στη λανθασμένη πλευρά, μπορεί να προκληθεί επικίνδυνος κραδασμός.

## Επαναφορά του προφυλακτήρα λάμας

Σύρτε τον πείρο στον προφυλακτήρα λάμας μέσα στην σχισμή του βραχίονα οδήγησης, ενώ επαναφέρετε τον προφυλακτήρα λάμας στην αρχική τελειώς κλειστή θέση του. Μετά σφίξτε δεξιόστροφα το εξαγωνικό μπουλόνι για να ασφαλίσετε το κεντρικό κάλυμμα. Χαμηλώστε τη λαβή για να βεβαιωθείτε ότι ο προφυλακτήρας λάμας κινείται σωστά. Βεβαιωθείτε ότι η ασφάλιση άξονα έχει ελευθερώσει τον αξονίσκο πριν κάνετε την κοπή.

- **Εικ.18:** 1. Πείρος 2. Βραχίονας οδήγησης

## Σύνδεση με ηλεκτρική σκούπα

Όταν θέλετε να εκτελέσετε κοπές καθαρά, συνδέστε την ηλεκτρική σκούπα της Makita.

- **Εικ.19**

## Σάκος σκόνης

- **Εικ.20:** 1. Στόμιο σκόνης 2. Σάκος σκόνης  
3. Προσδετήρας

Η χρήση του σάκου σκόνης καθιστά καθαρές τις λειτουργίες κοπής και εύκολη τη συλλογή της σκόνης. Για να προσαρμόσετε τον σάκο σκόνης, εφαρμόστε τον πάνω στο στόμιο σκόνης.

Όταν ο σάκος σκόνης είναι περίπου μισογεμάτος, αφαιρέστε τον σάκο σκόνης από το εργαλείο και τραβήξτε τον προσδετήρα έξω. Αδειάστε τον σάκο σκόνης από τα περιεχόμενά του, χτυπήστε τον ελαφρά έτσι ώστε να αφαιρεθούν τα σωματίδια που είναι κολλημένα από μέσα και μπορεί να εμποδίζουν την περαιτέρω συλλογή.

## Ασφάλιση του τεμαχίου εργασίας

### ▲ ΠΡΟΕΙΔΟΠΟΙΗΣΗ:

- Είναι εξαιρετικά σημαντικό να ασφαλίσετε πάντα το τεμάχιο εργασίας σωστά και σφικτά με τη μέγγενη. Αν δεν το κάνετε αυτό, μπορεί να προκληθεί ζημιά στο εργαλείο ή/και να καταστραφεί το τεμάχιο εργασίας. ΜΠΟΡΕΙ ΝΑ ΠΡΟΚΛΗΘΕΙ ΚΑΙ ΠΡΟΣΩΠΙΚΟΣ ΤΡΑΥΜΑΤΙΣΜΟΣ. Επίσης, μετά το πέρας μιας λειτουργίας κοπής, ΜΗΝ ανυψώσετε τη λάμα αν η λάμα δεν έχει ακινητοποιηθεί πλήρως.

### ▲ ΠΡΟΣΟΧΗ:

- Όταν κόβετε μακριά τεμάχια εργασίας, να χρησιμοποιείτε στηρίγματα που είναι τόσο ψηλά όσα το επίπεδο της επιφάνειας εργασίας της περιστροφικής βάσης. Μη βασίζεστε αποκλειστικά στην κάθετη ή/και οριζόντια μέγγενη για να ασφαλίσετε το τεμάχιο εργασίας. Τα λεπτά υλικά έχουν την τάση να λυγίζουν. Υποστηρίξτε το τεμάχιο εργασίας καθ' όλο το μήκος του για να αποφύγετε τσίμπημα της λάμας και πιθανό ΚΛΟΤΣΗΜΑ.

- **Εικ.21:** 1. Υποστηρίξη 2. Περιστροφική βάση

## Οριζόντια μέγγενη (προαιρετικό αξεσουάρ)

- **Εικ.22:** 1. Προεξοχή 2. Κουμπί μέγγενης

Η οριζόντια μέγγενη μπορεί να τοποθετηθεί είτε στην αριστερή είτε στη δεξιά πλευρά της βάσης. Όταν εκτελείτε λοξές κοπές 15° ή μεγαλύτερες, τοποθετήστε την οριζόντια μέγγενη στην πλευρά αντίθετα από την κατεύθυνση που πρόκειται να περιστραφεί η περιστροφική βάση. Εάν γυρίσετε το κουμπί της μέγγενης αριστερόστροφα, η βίδα ελευθερώνεται και ο άξονας της μέγγενης μπορεί να μετακινηθεί γρήγορα μέσα και έξω. Εάν γυρίσετε το κουμπί της μέγγενης δεξιόστροφα, η βίδα παραμένει ασφαλισμένη. Για να πιάσετε το τεμάχιο εργασίας, γυρίστε απαλά το κουμπί της μέγγενης δεξιόστροφα μέχρι η προεξοχή να φτάσει στην υψηλότερη θέση, μετά στερεώστε με ασφάλεια. Εάν το κουμπί της μέγγενης σπρωχτεί μέσα ή τραβηχθεί έξω ενώ περιστρέφεται δεξιόστροφα, η προεξοχή μπορεί να σταματήσει σε κάποια γωνία. Στην περίπτωση αυτή, γυρίστε πίσω το κουμπί της μέγγενης αριστερόστροφα μέχρι να ελευθερωθεί η βίδα, πριν την γυρίσετε ξανά απαλά δεξιόστροφα.

### ▲ ΠΡΟΣΟΧΗ:

- Πιάστε το τεμάχιο εργασίας μόνο όταν η προεξοχή είναι στην υψηλότερη θέση. Αμέλεια να το κάνετε θα έχει ως αποτέλεσμα ανεπαρκή ασφάλεια του τεμαχίου εργασίας. Αυτό μπορεί να προκαλέσει εκτόξευση του τεμαχίου εργασίας, ζημιά στη λάμα ή την απώλεια ελέγχου, που μπορεί να έχει ως αποτέλεσμα ΤΡΑΥΜΑΤΙΣΜΟ.

## Κάθετη μέγγενη (προαιρετικό αξεσουάρ)

- **Εικ.23:** 1. Ράβδος μέγγενης 2. Βίδα 3. Φράχτης οδηγός  
4. Κουμπί μέγγενης 5. Βραχίονας μέγγενης

- **Εικ.24:** 1. Ράβδος μέγγενης 2. Βίδα 3. Κουμπί μέγγενης  
4. Βραχίονας μέγγενης 5. Φράχτης οδηγός

Η κάθετη μέγγενη μπορεί να τοποθετηθεί είτε στην αριστερή είτε στη δεξιά πλευρά του φράχτη οδηγού. Βάλτε τη ράβδο μέγγενης μέσα στην οπή του φράχτη οδηγού και σφίξτε τη βίδα για να ασφαλίσετε τη ράβδο μέγγενης. Τοποθετήστε τον βραχίονα της μέγγενης ανάλογα με το πάχος και το σχήμα του τεμαχίου εργασίας και ασφαλίστε τον βραχίονα της μέγγενης σφίγγοντας τη βίδα. Εάν η βίδα που ασφαλίσει το βραχίονα της μέγγενης αγγίξει τον φράχτη οδηγό, τοποθετήστε τη βίδα στην απέναντι πλευρά του βραχίονα της μέγγενης. Βεβαιωθείτε ότι κανένα μέρος του εργαλείου δεν έχει έρθει σε επαφή με τη μέγγενη όταν χαμηλώνετε εντελώς τη λαβή. Αν κάποιο μέρος έχει έρθει σε επαφή, επανατοποθετήστε την μέγγενη.

Πιέστε το τεμάχιο εργασίας επίπεδα επί του φράχτη οδηγού και της περιστροφικής βάσης. Τοποθετήστε το τεμάχιο εργασίας στην επιθυμητή θέση κοπής και ασφαλίστε το σταθερά σφίγγοντας το κουμπί της μέγγενης.



## Κοπή επαναληπτικών μηκών

### ► Εικ.29: 1. Πλάκα ρύθμισης 2. Συγκρατητής 3. Βίδα

Όταν κόβετε πολλά τεμάχια υλικού στο ίδιο μήκος, από 300 mm έως 400 mm, η χρήση της πλάκας ρύθμισης (προαιρετικό εξάρτημα) θα διευκολύνει την αποτελεσματικότερη λειτουργία. Τοποθετήστε την πλάκα ρύθμισης στη θήκη (προαιρετικό εξάρτημα) όπως φαίνεται στην εικόνα.

Ευθυγραμμίστε τη γραμμή κοπής στο τεμάχιο εργασίας σας με την αριστερή ή δεξιά πλευρά της αυλάκωσης στη σανίδα εγκοπής και, ενώ κρατάτε το τεμάχιο εργασίας για να μην κινηθεί, μετακινήστε την πλάκα ρύθμισης στο ίδιο ύψος με την άκρη του τεμαχίου εργασίας. Μετά ασφαλίστε την πλάκα ρύθμισης με τη βίδα. Όταν η πλάκα ρύθμισης δεν χρησιμοποιείται, χαλαρώστε τη βίδα και γυρίστε την πλάκα ρύθμισης ώστε να μην εμποδίζει.

#### ΠΑΡΑΤΗΡΗΣΗ:

- Η χρήση της διάταξης θήκης-ράβδου (προαιρετικό εξάρτημα) επιτρέπει την κοπή επαναληπτικών μηκών μέχρι 2.200 mm περίπου.

## Μεταφορά εργαλείου

### ► Εικ.30: 1. Ασφάλεια λαβής

Βεβαιωθείτε ότι το εργαλείο δεν είναι συνδεδεμένο στην ηλεκτρική παροχή. Ασφαλίστε καλά την περιστροφική βάση στη δεξιά λοξή γωνία με τη βοήθεια της λαβής. Χαμηλώστε εντελώς τη λαβή και ασφαλίστε την στην κάτω θέση περιστρέφοντας την ασφάλεια λαβής στη θέση κλειδώματος. Να μεταφέρετε το εργαλείο κρατώντας και τις δύο πλευρές της βάσης του εργαλείου όπως απεικονίζεται στην εικόνα. Εάν αφαιρέσετε τους συγκρατητές, σακούλα σκόνης κ.λπ., μπορείτε να μεταφέρετε το εργαλείο ευκολότερα.

### ► Εικ.31

#### ▲ ΠΡΟΣΟΧΗ:

- Να ασφαρίζετε πάντα όλα τα κινούμενα μέρηματα πριν μεταφέρετε το εργαλείο.
- Η ασφάλεια λαβής προορίζεται μόνο για τους σκοπούς μεταφοράς και αποθήκευσης και όχι για λειτουργίες κοπής.

## ΣΥΝΤΗΡΗΣΗ

#### ▲ ΠΡΟΣΟΧΗ:

- Να βεβαιώνετε πάντα ότι το εργαλείο είναι σβηστό και αποσυνδεδεμένο από την ηλεκτρική παροχή πριν εκτελέσετε οποιαδήποτε εργασία επιθεώρησης ή συντήρησης.
- Μην χρησιμοποιείτε ποτέ βενζίνη, πετρελαϊκό αιθέρα, διαλυτικό, αλκοόλη ή παρόμοιες ουσίες. Μπορεί να προκληθεί αποχρωματισμός, παραμόρφωση ή ρωγμές.

#### ▲ ΠΡΟΕΙΔΟΠΟΙΗΣΗ:

- Πάντοτε να επιβεβαιώνετε ότι η λάμα είναι ακοινισμένη και καθαρή για την καλύτερη και ασφαλέστερη απόδοση.

## Ρύθμιση της γωνίας κοπής

Αυτό το εργαλείο είναι προσεκτικά ρυθμισμένο και ευθυγραμμισμένο στο εργοστάσιο, αλλά σκληρή μεταχείριση μπορεί να έχει επηρεάσει την ευθυγράμμιση. Εάν το εργαλείο σας δεν είναι ευθυγραμμισμένο κατάλληλα, εκτελέστε τα ακόλουθα:

### ► Εικ.32: 1. Εξαγωνικό μπουλόνι

Χαλαρώστε τη λαβή που ασφαρίζει την περιστροφική βάση. Γυρίστε την περιστροφική βάση ώστε ο δείκτης να είναι στραμμένος στις 0° στην λοξή κλίμακα. Μετά γυρίστε ελαφρώς την περιστροφική βάση δεξιόστροφα και αριστερόστροφα για να τοποθετήσετε την περιστροφική βάση στη λοξή εγκοπή των 0°. (Αφήστε το όπως είναι εάν ο δείκτης δεν δείχνει τις 0°). Χαλαρώστε τα εξαγωνικά μπουλόνια που ασφαλίζουν το φράχτη οδηγό χρησιμοποιώντας το σωληνωτό κλειδί.

Χαμηλώστε εντελώς τη λαβή και ασφαλίστε την στην κάτω θέση περιστρέφοντας την ασφάλεια λαβής στη θέση κλειδώματος. Τετραγωνίστε το πλαίσιο της λάμας με την πρόσωση του φράχτη οδηγού χρησιμοποιώντας έναν τριγωνικό κανόνα, τετραγωνό κανόνα, κτλ. Μετά, ασφαλίστε καλά τα εξαγωνικά μπουλόνια στο φράχτη οδηγού με τη σειρά, ξεκινώντας από τη δεξιά πλευρά.

### ► Εικ.33: 1. Φράχτης οδηγός 2. Τριγωνικός κανόνας

Βεβαιωθείτε ότι ο δείκτης στην πλάκα ενδείξεων δείχνει τις 0° στην κλίμακα λοξής γωνίας. Εάν ο δείκτης δεν δείχνει στις 0°, χαλαρώστε τις βίδες που ασφαλίζουν την πλάκα ενδείξεων και ρυθμίστε την έτσι ώστε ο δείκτης να δείχνει 0°.

### ► Εικ.34: 1. Δείκτης 2. Βίδες 3. Κλίμακα λοξής γωνίας

## Ρύθμιση για ομαλή κίνηση της λαβής

### ► Εικ.35: 1. Περιβλήμα οδοντοτροχού 2. Εξαγωνικό παξιμάδι ασφάλισης 3. Βραχίονας

Το εξαγωνικό παξιμάδι ασφάλισης που συγκρατεί το περιβλήμα οδοντοτροχού και τον βραχίονα έχει ρυθμιστεί στο εργοστάσιο για να εξασφαλίζει την ομαλή κίνηση της λαβής πάνω και κάτω και για να διασφαλίζει ακριβή κοπή. Μην κάνετε παρεμβάσεις σε αυτό. Αν παρουσιαστεί χαλάρωση στο περίβλημα οδοντοτροχού και στη σύνδεση του βραχίονα, πραγματοποιήστε την παρακάτω ρύθμιση. Κινήστε τη λαβή πάνω και κάτω σφίγγοντας το εξαγωνικό παξιμάδι ασφάλισης. Η καλύτερη θέση για να σφίξει το εξαγωνικό παξιμάδι ασφάλισης είναι ακριβώς πριν γίνει εμφανές το βάρος του σώματος του μοτέρ.

Μετά τη ρύθμιση του εξαγωνικού παξιμαδιού ασφάλισης, βεβαιωθείτε ότι η λαβή επιστρέφει αυτόματα από οποιαδήποτε θέση στην αρχική θέση ανύψωσης. Αν το εξαγωνικό παξιμάδι ασφάλισης είναι πολύ χαλαρό, η ακρίβεια κοπής θα επηρεαστεί αρνητικά. Αν είναι πολύ σφιχτό, θα είναι δύσκολο να μετακινήσετε τη λαβή πάνω και κάτω. Σημειωτέον ότι το παξιμάδι αυτό είναι αυτοασφαλιζόμενο. Είναι ειδικού τύπου και δεν χαλαρώνει σε συνθήκες κανονικής χρήσης. Δεν θα πρέπει να σφίγγεται υπερβολικά ούτε να αντικαθίσταται με άλλους τύπους παξιμαδιών.

## Αντικατάσταση καρβουνάκιών

### ► Εικ.36: 1. Σημάδι ορίου

Αφαιρείτε και ελέγχετε τα καρβουνάκια τακτικά. Αντικαθιστάτε όταν φθαρούν μέχρι το σημάδι ορίου. Κρατάτε τα καρβουνάκια καθαρά και ελεύθερα να ολισθαίνουν στις θήκες. Και τα δύο καρβουνάκια πρέπει να αντικαθίστανται ταυτόχρονα. Να χρησιμοποιείτε μόνο καρβουνάκια ίδιου τύπου.

Χρησιμοποιήστε ένα κατσαβίδι για να αφαιρέσετε τα καπάκια των θηκών καρβουνάκιών. Βγάλτε τα φθαρμένα καρβουνάκια, τοποθετήστε τα καινούρια και ασφαλίστε τα καπάκια των θηκών καρβουνάκιών.

### ► Εικ.37: 1. Κατσαβίδι 2. Καπάκι θήκης καρβουνάκιου

## Μετά τη χρήση

- Μετά τη χρήση, σφουγγίστε τα τεμαχίδια και τη σκόνη που είναι κολλημένα στο εργαλείο με ένα πανί ή κάτι παρόμοιο. Διατηρείτε τον προφυλακτήρα λάμας καθαρό σύμφωνα με τις οδηγίες της προηγούμενης ενότητας «Προφυλακτήρας λάμας». Λιπαίνετε τα μέρη που γλιστρούν με μηχανικό λάδι για να μην οξειδωθούν.

Για διατήρηση της ΑΣΦΑΛΕΙΑΣ και ΑΞΙΟΠΙΣΤΙΑΣ του προϊόντος, τυχόν επισκευές και οποιαδήποτε άλλη εργασία συντήρησης ή ρύθμισης θα πρέπει να εκτελούνται από εξουσιοδοτημένα κέντρα εξυπηρέτησης της Makita, πάντοτε με ανταλλακτικά της Makita.

## ΠΡΟΑΙΡΕΤΙΚΑ ΕΞΑΡΤΗΜΑΤΑ

**⚠ ΠΡΟΕΙΔΟΠΟΙΗΣΗ:** Αυτά τα εξαρτήματα Makita ή προσαρτήματα συνιστώνται για χρήση με το εργαλείο Makita που περιγράφηκε στις οδηγίες αυτές. Η χρήση οποιωνδήποτε άλλων εξαρτημάτων ή προσαρτημάτων μπορεί να καταλήξει σε πρόκληση σοβαρού τραυματισμού.

**⚠ ΠΡΟΕΙΔΟΠΟΙΗΣΗ:** Το εξαρτήματα ή το προσαρτήμα της Makita να χρησιμοποιείται μόνο για την προοριζόμενη χρήση του. Η κακή χρήση ενός εξαρτήματος ή προσαρτήματος μπορεί να καταλήξει σε πρόκληση σοβαρού τραυματισμού.

Εάν χρειάζεστε οποιαδήποτε βοήθεια για περισσότερες πληροφορίες σε σχέση με αυτά τα εξαρτήματα, απευθυνθείτε στο τοπικό σας κέντρο εξυπηρέτησης Makita.

- Λάμες πριονιού καρβιδικών άκρων (Ανατρέξτε στον ιστότοπό μας ή επικοινωνήστε με τον τοπικό σας αντιπρόσωπο της Makita για τις σωστές λάμες πριονιού για χρήση με το υλικό προς κοπή).
- Σωληνωτό κλειδί
- Σύνολο υποδοχέα
- Πλάκα ρύθμισης
- Σάκος σκόνης
- Τριγωνικός κανόνας
- Διάταξη μέγγενης (οριζόντια μέγγενη)
- Διάταξη μέγγενης (κάθετη μέγγενη)
- Κουμπί κλειδώματος (2 τεμ.)

### ΠΑΡΑΤΗΡΗΣΗ:

- Μερικά στοιχεία στη λίστα μπορεί να συμπεριλαμβάνονται στη συσκευασία εργαλείου ως στάνταρ εξαρτήματα. Μπορεί να διαφέρουν ανάλογα με τη χώρα.

## TEKNİK ÖZELLİKLER

Model	LS1440	
Bıçak çapı	355 mm	
Delik çapı	Avrupa ülkeleri dışındaki ülkeler için	25 mm veya 25,4 mm (Ülkeye özgü)
	Avrupa ülkeleri için	25 mm
Testere bıçağı maks. kesim kalınlığı	3,4 mm	
Maks. gönye açısı	Sol 45°, Sağ 45°	
Yüksüz hız	3.900 min <sup>-1</sup>	
Ebat (U x G x Y)	596 mm x 550 mm x 630 mm	
Net ağırlık	33,1 kg	
Güvenlik sınıfı	□/II	

- Sürekli yapılan araştırma ve geliştirmelerden dolayı, burada belirtilen özellikler önceden bildirilmeksizin değiştirilebilir.
- Özellikler ülkeden ülkeye değişebilir.
- EPTA-Prosedürü 01/2014 uyarınca ağırlık

### Maks. kesme kapasiteleri (Y x G)

Gönye açısı	
0°	45° (sol ve sağ)
122 mm x 152 mm	122 mm x 115 mm

## Semboller

Aşağıdakiler makineniz için kullanılan sembolleri göstermektedir. Kullanmadan önce manalarını anladığınızdan emin olunuz.



Kullanma kılavuzunu okuyun.



ÇİFT YALITIMLI



Sıçrayan parçalardan yaralanmayı önlemek için kesim bittikten sonra bıçak tamamen durana kadar testere başını daima aşağıda tutun.



Elinizi ve parmaklarınızı bıçağa yaklaştırmayın.



Güvenliğiniz için, kullanımdan önce tezgahın üstündeki küçük parçaları vb.ni kaldırın.



Sadece AB ülkeleri için  
Elektrik donanımını evsel atıklarla birlikte bertaraf etmeyiniz! Kullanılmış elektrikli cihazları, Elektrikli ve Elektronik Cihaz Atıkları Hakkındaki Avrupa Yönergesine göre ve bu yönergeler ulusal hukuk kurallarına göre uyarlanarak, ayrı olarak toplanmalı ve çevre şartlarına uygun bir şekilde tekrar değerlendirilmeye gönderilmelidir.

## Kullanım amacı

Bu alet, ahşap malzemede düz ve gönyeli hassas kesimler yapmak için tasarlanmıştır. Uygun testere bıçakları ile alüminyum da kesilebilir.

## Güç kaynağı

Aletin, yalnızca isim levhasında belirtilenle aynı voltajlı güç kaynağına bağlanması gerekir ve yalnızca tek fazlı AC güç kaynağıyla çalıştırılabilir. Çifte yalıtımlıdır ve topraklamasız prizlerle de kullanılabilir.

## 220 V ile 250 V arası umumi düşük voltaj dağıtım sistemleri için

Elektrikli aletlerin açma-kapama işlemleri voltaj dalgalanmalarına sebep olur. Ana şebekenin uygun olmadığı koşullarda, bu makinenin çalıştırılması diğer cihazların çalışması üzerinde ters etki yapabilir. Ana şebeke impedansının 0,39 Ohms'a eşit veya ondan daha küçük olması durumunda, ters etkilerin olmayacağı varsayılabilir. Bu makinenin bağlı olduğu ana şebeke prizi, yavaş tetikleme özellikleri olan bir sigorta veya koruyucu devre kesici ile korunmalıdır.

## Gürültü

Tipik A-ağırlıklı gürültü düzeyi (EN62841-3-9 standardına göre belirlenen):

Ses basınç seviyesi (L<sub>pA</sub>): 94 dB (A)

Ses gücü düzeyi (L<sub>WA</sub>): 105 dB (A)

Belirsizlik (K): 3 dB (A)

**NOT:** Beyan edilen gürültü emisyonu değer(ler) bir standart test yöntemine uygun şekilde ölçülmüştür ve bir aleti bir başkasıyla karşılaştırmak için kullanılabilir.

**NOT:** Beyan edilen gürültü emisyonu değer(ler) i bir ön maruz kalma değerlendirmesi olarak da kullanılabilir.



**⚠UYARI:** Kulak koruyucuları takın.

**⚠UYARI:** Elektrikli aletin gerçek kullanımı sırasındaki gürültü emisyonu, aletin kullanım biçimlerine, özellikle işlenen iş parçasının türüne bağlı olarak beyan edilen değer(ler)den farklı olabilir.

**⚠UYARI:** Gerçek kullanım koşullarındaki tahmini maruziyeti baz alan, operatörü koruyacak güvenlik önlemlerini mutlaka belirleyin (çalışma döngüsü içerisinde aletin kapalı olduğu ve aktif durumda olmasının yanı sıra boşta çalıştığı zamanlar gibi, bütün zaman dilimleri göz önünde bulundurarak).

## Titreşim

Titreşim toplam değeri (üç eksenli vektör toplamı) (EN62841-3-9 standardına göre hesaplanan):  
Titreşim emisyonu ( $a_{h}$ ): 2,5 m/s<sup>2</sup>  
Belirsizlik (K) : 1,5 m/s<sup>2</sup>

**NOT:** Beyan edilen titreşim toplam değer(ler)i bir standart test yöntemine uygun şekilde ölçülmüştür ve bir aleti bir başkasıyla karşılaştırmak için kullanılabilir.

**NOT:** Beyan edilen titreşim toplam değer(ler)i bir ön maruz kalma değerlendirmesi olarak da kullanılabilir.

**⚠UYARI:** Elektrikli aletin gerçek kullanımı sırasındaki titreşim emisyonu, aletin kullanım biçimlerine, özellikle işlenen iş parçasının türüne bağlı olarak beyan edilen değer(ler)den farklı olabilir.

**⚠UYARI:** Gerçek kullanım koşullarındaki tahmini maruziyeti baz alan, operatörü koruyacak güvenlik önlemlerini mutlaka belirleyin (çalışma döngüsü içerisinde aletin kapalı olduğu ve aktif durumda olmasının yanı sıra boşta çalıştığı zamanlar gibi, bütün zaman dilimleri göz önünde bulundurarak).

## EC Uygunluk Beyanı

### Sadece Avrupa ülkeleri için

EC uygunluk beyanı bu kullanım kılavuzuna Ek A olarak eklenmiştir.

## Genel elektrikli alet güvenliği uyarıları

**⚠UYARI:** Bu elektrikli aletle birlikte sunulan tüm güvenlik uyarılarını, talimatları, çizimleri ve teknik özellikleri okuyun. Aşağıda verilen talimatlara uyulmaması elektrik şoku, yangın ve/veya ciddi yaralanmalar ile sonuçlanabilir.

## Tüm uyarıları ve talimatları iletiride başvurmak için saklayın.

Uyarılardaki "elektrikli alet" terimi ile ya prizden çalışan (kordonlu) elektrikli aletiniz ya da kendi aküsü ile çalışan (kordsuz) elektrikli aletiniz kastedilmektedir.

## Gönye kesme testereleri için güvenlik talimatları

- Gönye kesme testereleri ahşap veya ahşap benzeri ürünleri kesmek için tasarlanmıştır, çubuklar, rodlar, saplamalar, vb. gibi demir malzemeleri kesmek için aşındırıcı kesim diskleriyle kullanılamaz.** Aşındırıcı toz alt siper gibi hareketli parçaların sıkışmasına neden olur. Aşındırıcı kesimden kaynaklanan kıvılcımlar alt siperi, kesim kanalı ve diğer plastik parçaları yakar.
  - Mümkün olan her durumda iş parçasını men-geneler kullanarak destekleyin. İş parçasını elle destekliyorsanız elini daima testere bıçağının her iki tarafından en az 100 mm uzakta tutun. Bu testereyi, sabitlemeyecek veya elle tutulamayacak kadar küçük parçaları kesmek için kullanmayın.** Eliniz testere bıçağına çok yakın yerleştirilirse yüksek oranda bıçağa temas ederek yaralanma riski vardır.
  - İş parçası sabit olmalı ve mengene ile sabitlenmeli veya bariyer ve tezgaha dayanacak şekilde tutulmalıdır. İş parçasını "sabitlemeden" hiçbir şekilde bıçağa sürmeyin veya kesmeyin.** Sabitlenmemiş veya hareket eden iş parçaları yüksek hızlarda fırlayarak yaralanmaya neden olabilir.
  - Elinizi, testere bıçağının önünden veya arkasından tasarlanan kesim çizgisinin öbür tarafa geçirmeyin.** İş parçasının "çapraz şekilde" yani iş parçasını testere bıçağının sağında sol elinizde tutarak veya tersi şekilde desteklemek çok tehlikelidir.
- **Şek.1**
- Bıçak dönerken atık ahşap parçalarını kaldırmak veya başka herhangi bir nedenle testere bıçağının her iki tarafına 100 mm'den daha yakın olacak şekilde ellerinizle bariyerin arkasına uzanmayın.** Dönen testere bıçağının elinize olan yakınlığı belli olmayabilir ve ciddi şekilde yaralanabilirsiniz.
  - Kesmeden önce iş parçasını inceleyin. İş parçası eğri veya çarpık ise dış eğri kısmı bariyere gelecek şekilde mengene ile sabitleyin. Kesim çizgisi boyunca iş parçası, bariyer ve tezgah arasında boşluk kalmadığından daima emin olun.** Eğri veya çarpık iş parçaları dönebilir veya kayabilir ve kesim sırasında dönen testere bıçağına takılmasına neden olabilir. İş parçasında çivi veya yabancı maddeler olmamalıdır.
  - Tezgahta iş parçası dışındaki tüm aletler, atık ahşap parçaları, vb. kaldırılmadan testereyi kullanmayın.** Dönen bıçağa temas eden küçük atıklar veya gevşek ahşap parçaları ya da başka nesnelere yüksek hızla fırlayabilir.
  - Tek seferde sadece bir adet iş parçası kesin.** Üst üste dizilen birden fazla iş parçası yeteri kadar sabitlenemeyebilir veya desteklenemeyebilir ve kesim sırasında bıçağa takılabilir veya kayabilir.
  - Kullanmadan önce gönye kesme makinasının düz, sabit bir çalışma yüzeyine monte edildiğinden veya yerleştirildiğinden emin olun.** Düz ve sabit çalışma yüzeyi gönye kesme makinasının dengasını yitirme riskini azaltır.

10. **İşinizi planlayın. Eğitim veya gönye açısı ayarını her değiştirdiğinizde ayarlanabilir bariyerin iş parçasını destekleyecek şekilde doğru ayarlandığından ve bıçak veya koruma siperi sisteminde müdahale etmeyeceğinden emin olun.** Aleti "Açık" konuma almadan önce ve tezgahta iş parçası yokken bariyere müdahale edilmeyeceğinden veya bariyerin kesilme tehlikesi olmadığından emin olmak için testere bıçağını tam bir temsilî kesim yapacak şekilde hareket ettirin.
  11. **Tezgahtan daha geniş veya uzun iş parçası için tezgah uzantıları, testere tezgahları, vb. gibi yeterli destek sağlayın.** Gönye kesme makinasının tezgahından daha uzun veya daha geniş iş parçaları emniyetli bir şekilde desteklenmezse devrilebilir. Kesilen parça veya iş parçası devrilsen alt siperi kaldırılabilir veya dönen bıçak tarafından fırlatılabilir.
  12. **Tezgah uzantısı veya ilave destek yerine başka bir kişiyi kullanmayın.** İş parçasının dengesiz şekilde desteklenmesi kesim işlemi sırasında bıçağın takılmasına veya iş parçasının kaymasına neden olarak sizi veya yardım eden kişiyi dönen bıçağa çekebilir.
  13. **Kesilen parça dönen testere bıçağına dayanacak şekilde hiçbir biçimde sıkıştırılmamalı veya bastırılmamalıdır.** Uzunluk dayanakları kullanarak sınırlandırılması durumunda kesilen parça bıçağa dayanıp kalarak şiddetli bir şekilde fırlayabilir.
  14. **Daima çubuklar veya borular gibi yuvarlak malzemeleri düzgün şekilde desteklemek üzere tasarlanmış menegene veya sabitleme aparatı kullanın.** Çubuklar kesilirken dönme eğilimi gösterdiklerinden bıçak iş parçasını kavrayarak elinizle birlikte bıçağa çekilmesine neden olur.
  15. **İş parçasına temas ettirmeden önce bıçağın tam hız çıkmasını bekleyin.** Bu, iş parçasının fırlatılma riskini düşürecektir.
  16. **İş parçası veya bıçak sıkışırca gönye kesme makinasını kapatın.** Tüm hareketli parçaların durmasını bekleyin ve fişi elektrik prizinden çekin ve/veya bataryayı çıkarın. Daha sonra sıkışan malzemeyi çıkarmaya çalışın. Sıkışma iş parçası ile kesmeye devam etmek kontrol kaybına veya gönye kesme makinasının hasar görmesine neden olabilir.
  17. **Kesimi tamamladıktan sonra anahtarları bırakın, testere kafasını aşağıda tutun ve kesilen parçayı çıkarmadan önce bıçağın durmasını bekleyin.** Boşta dönen bıçağın yakınına elinizle uzanmak tehlikelidir.
  18. **Eksik kesim yaparken veya testere kafası tamamen aşağı konuma gelmeden önce anahtarları bırakırken tutamağı sıkıca tutun.** Testerenin frenleme hareketi testere kafasının aniden aşağı doğru çekilmesine neden olarak yaralanma riskine yol açabilir.
  19. **Sadece alet üzerinde işaretli olan ya da kılavuzda belirtilen çapta testere bıçağı kullanın.** Yanlış boyutta bir bıçak kullanılması bıçağın doğru bir şekilde korunmasını ya da koruma parçasının işleyişini etkileyebilir, bu da ciddi kişisel yaralanmalara neden olabilir.
  20. **Sadece hızı alet üzerinde işaretli olan hıza eşit ya da ondan daha yüksek olan testere bıçaklarını kullanın.**
  21. **Testereyi tahta, alüminyum ve benzeri dışındaki malzemeleri kesmek için kullanmayın.**
  22. **(Sadece Avrupa ülkeleri için) Daima EN847-1'e uygun bıçak kullanın.**
- Ek talimatlar**
1. **Atölyeyi asma kilitlerle çocukların erişemeyeceği hale getirin.**
  2. **Hiçbir zaman aletin üzerine çıkmayın.** Alet devrilir veya kesim aleti kazara temas ederse ciddi yaralanma meydana gelebilir.
  3. **Aleti hiçbir zaman çalışır durumda başı boş bırakmayın.** Gücü kapatın. Tamamen durmadan aletin başından ayrılmayın.
  4. **Koruma siperlerini yerine takmadan testereyi kullanmayın.** Her kullanımdan önce bıçak siperinin doğru bir şekilde kapatılıp kapatılmadığını kontrol edin. Bıçak siperi serbest bir şekilde hareket etmiyor ve anında kapanmıyorsa testereyi kullanmayın. Bıçak siperini asla açık konumda kalacak şekilde sıkıştırmayın ve bağlamayın.
  5. **Elleriniz testere bıçağının hareket alanından uzak tutun.** Alet durdurulduktan sonra durana kadar boşta dönen bıçağa temastan sakının. Ciddi yaralanmalara sebep olabilir.
  6. **Aleti taşımadan önce hareket eden tüm parçaları sabitleyin.**
  7. **Kesici kafanın aşağı sabitlenmesini sağlayan sabitleme pimi sadece taşıma ve saklama amacıyla kullanılmalı, hiçbir kesim işlemi sırasında kullanılmamalıdır.**
  8. **Kullanmadan önce bıçakta çatlak ya da hasar olup olmadığını dikkatlice kontrol edin.** Çatlak veya hasarlı bıçak hemen değiştirin. Bıçakların üzerinde sertleşen sakız ve odun katranı testereyi yavaşlatır ve geri tepme potansiyelini artırır. Bıçağı ilk önce aletten çıkarıp daha sonra sakız veya katran temizleyici, sıcak su veya gaz yağı ile temizleyerek temiz tutun. Bıçağı temizlemek için asla benzin kullanmayın.
  9. **Sadece bu alete uygun olan flanşları kullanın.**
  10. **Mil, flanş (özellikle montaj yüzeyi) ve civatalara zarar gelmemesine dikkat edin.** Bu parçalara zarar gelirse bıçak kırılabilir.
  11. **Dönüş kaidesinin iyice sabitlendiğinden, kullanımı sırasında hareket etmeyeceğinden emin olun.** Testereyi sabit bir çalışma platformuna veya tezgaha sabitlemek için kaide üzerindeki delikleri kullanın. Aleti, operatörün konumu biçimsiz olacak şekilde ASLA kullanmayın.
  12. **Anahtar açılmadan önce mil kilidinin serbest olduğundan emin olun.**
  13. **Bıçağın en düşük konumda dönüş kaidesine temas etmediğinden emin olun.**
  14. **Tutamağı elinizle sıkıca tutun.** Başlatma ve durma sırasında testerenin hafifçe yukarı veya aşağı hareket ettiğini unutmayın.
  15. **Anahtar açılmadan önce bıçağın iş parçasına temas etmediğinden emin olun.**

16. Aleti iş parçası üzerinde kullanmadan önce bir müddet çalıştırın. İyi takılmamış veya tam dengelenmemiş bir bıçağın belirtileri olan vibrasyon ya da sallanma olup olmadığına bakın.
17. Anormal bir durum fark ederseniz kullanımı derhal durdurun.
18. Tetiği "Açık" konumda kilitlemeye çalışmayın.
19. Daima bu kılavuzda tavsiye edilen aksesuarları kullanın. Aşındırıcı disk gibi uygun olmayan aksesuarların kullanımı yaralanmaya sebep olabilir.
20. Bazı malzemeler zehirli olabilecek kimyasal maddeler içerir. Tozun solunmasını ve cilde temas etmesini önlemek için dikkatli olun. Malzeme tedarikçisinin güvenlik bilgilerini izleyin.

#### Lazer için ek güvenlik kuralları

1. LAZER RADYASYONU, İŞİNA BAKMAYIN VEYA OPTİK ALETLERLE DOĞRUDAN İZLEMİYİN, SINIF 2M LAZERLİ ÜRÜN.

## BU TALİMATLARI MUHAFAZA EDİNİZ.

**⚠UYARI:** Ürünü kullanırken (defalarca kullanınca kazanılan) rahatlık ve tanıdıklık duygusunun ilgili ürünün güvenli kullanımına sıkı sıkıya bağlı kalmanın yerine geçmesine İZİN VERMEYİN. YANLIŞ KULLANIM veya bu kullanma kılavuzunda belirtilen emniyet kurallarına uymama ciddi yaralanmaya neden olabilir.

## KURULUM

### Tezgahın montajı

Alet gönderildiğinde tutamak, tutamak mandalı tarafından aşağı indirilmiş konumda kilitli durumdadır. Tutamağı hafifçe aşağı doğru indirip tutamak mandalını serbest bırakın.

► **Şek.2:** 1. Tutamak mandalı

Bu alet, aletin kaidesindeki civata delikleri kullanılarak, dört civatayla düz ve dengeli bir yüzeye sabitlenmelidir. Bu, kaymayı ve olası yaralanmaları önlemeye yardımcı olacaktır.

► **Şek.3:** 1. Civata

## İŞLEVSEL NİTELİKLER

### ⚠DİKKAT:

- Alet üzerinde ayarlama ya da işleyiş kontrolü yapmadan önce aletin kapalı ve fişin prizden çıkartılmış olduğundan daima emin olun.

### Bıçak siperi

► **Şek.4:** 1. Bıçak siperi

Tutamağı indirirken, bıçak siperi otomatik olarak kalkar. Siper yayılı olduğu için kesim tamamlanıp tutamak kaldırıldığında orijinal konumuna döner. BİÇAK SİPERİNİ VEYA SİPERE BAĞLI OLAN YAYI ASLA DEVRE DIŞI BIRAKMAYIN VE ÇIKARMAYIN. Kişisel güvenliğinizi korumak için, bıçak siperini daima iyi durumda muhafaza edin. Bıçak siperinin işleyişinde herhangi bir düzensizlik görülürse hemen düzeltilmelidir. Siperin yayılı geri dönüş hareketini kontrol edin. BİÇAK SİPERİ YA DA YAYI HASARLI, ARIZALI YA DA ÇIKIŞI İSE ALETİ ASLA KULLANMAYIN. BUNU YAPMAK ÇOK TEHLİKELİDİR VE CİDDİ KİŞİSEL YARALANMALAR NEDEN OLABİLİR. Şeffaf bıçak siperi kirlenirse ya da testereden çıkan tozların yapışması sonucu bıçak görünmez hale gelirse, testereyi fişten çekin ve siperi nemli bir bezle dikkatlice temizleyin. Plastik siper üzerinde çözümü ya da petrol bazlı temizleyici kullanmayın. Bıçak siperi oldukça kirliyse ve siperden görüş sağlanamıyorsa, verilen lokma anahtarını kullanarak orta kapağı tutan altigen civatayı gevşetin. Altigen civatayı saatin aksi yönünde döndürerek gevşetin, bıçak siperini ve orta kapağı kaldırın. Bıçak siperi bu şekilde konumlandırıldığında daha eksiksiz ve etkili temizleme yapılabilir. Temizleme tamamlandıktan sonra yukarıdaki işlemi tersinden izleyerek civatayı sıkın. Bıçak siperini tutan yayı çıkarmayın. Siper zamanla ya da UV ışınlarına maruz kalma sonucu renk atarsa, yeni bir siper için Makita servisimize başvurun. SİPERİ DEVRE DIŞI BIRAKMAYIN VE ÇIKARMAYIN.

► **Şek.5:** 1. Bıçak siperi

### Kesim tahtası

► **Şek.6:** 1. Dönüş kaidesi 2. Kesim tahtası

Kesimin çıkışı tarafında yarımaları azaltmak için, bu alet dönüş kaidesinde kesim tahtası ile birlikte sunulmuştur. Fabrikada kesim tahtasında kesim oluğu açılmamışsa, aleti bir iş parçasını kesmek için fiilen kullanmaya başlamadan önce oluğu sizin açmanız gerekir. Aleti çalıştırın ve kesim tahtasında oluk açmak için bıçağı hafifçe indirin.

### Maksimum kesme kapasitesinin sağlanması

► **Şek.7:** 1. Dişli muhafazası 2. Altigen somun 3. Ayar civatası

► **Şek.8:** 1. Dönüş kaidesinin üst yüzeyi 2. Bıçak çevresi 3. Kılavuz bariyeri

Bu alet 355 mm'lik testere bıçağı için maksimum kesme kapasitesi sağlamak için fabrikada ayarlanmıştır. Yeni bir bıçak takarken, bıçağın alt limit pozisyonunu kontrol edin ve gerekirse, aşağıdaki gibi ayarlayın: Önce aleti fişten çekin. Tutamağı tamamen indirin. Dişli muhafazasının arkasındaki altigen somunu gevşetin. Ayar civatasını çevirmek için bir tornavida kullanın ve kılavuz bariyerinin ön yüzü ile dönüş kaidesinin ön yüzünün kesiştiği noktada bıçağın çevresi dönüş kaidesinin üst yüzeyinin altından hafifçe uzanana kadar çevirin.

Aleti fişten çekin ve bıçağın alt kaidenin herhangi bir parçasına dokunmadığına emin olmak için, tutamağı sürekli aşağıda tutup, bıçağı elle döndürün. Gerekirse yeniden hafifçe ayarlayın. Ayardan sonra ayar civatasını tornavida ile yerinde dikkatlice tutarak altıgen somunu anahtar ile sıkın. Bu esnada tutamağın, tutamak mandalı çevrilerek aşağı indirilmiş konumda kilitlenebildiğinden emin olun. Tutamak kilitlenemiyorsa tutamak aşağı indirilmiş konumda kilitlenebilecek şekilde ayar civatasını çevirin.

#### **⚠️ DİKKAT:**

- Yeni bir bıçak taktıktan sonra tutamak tam olarak aşağı indirildiğinde bıçağın alt kaidenin herhangi bir parçasına dokunmadığından daima emin olun. Bunu daima alet fişten çekili durumdayken yapın.

### **Gönye açısının ayarlanması**

- **Şek.9:** 1. İşaretçi 2. Kilitleme kolu 3. Gönye ölçeği 4. Kavrama kolu

Kavrama kolunu saatin aksi yönünde döndürerek gevşetin. Kilitleme koluna bastırarak dönüş kaidesini çevirin. Kavrama kolunu işaretçi gönye ölçeği üzerinde istenilen açıyı gösterecek şekilde yerleştirdikten sonra kavrama kolunu saat yönünde çevirerek iyice sıkıştırın.

#### **⚠️ DİKKAT:**

- Dönüş kaidesini çevirirken, kolu tam olarak yukarı kaldırdığınızdan emin olun.
- Gönye açısını değiştirdikten sonra, kavrama kolunu iyice sıkıştırarak dönüş kaidesini sabitleyin.

### **Bariyer plakası**

Bariyer plakası, küçük atık kesim parçalarının bıçak kılıfının içinde sıkışmasını engellemek için tasarlanmıştır. Bariyer plakası, dönüş kaidesi döndükçe otomatik olarak sağa veya sola hareket eder.

### **Anahtar işlemi**

#### **⚠️ DİKKAT:**

- Aleti fişe takmadan önce anahtar tetiğinin doğru çalıştığından ve bırakıldığında "OFF" (KAPALI) konumuna döndüğünden emin olun.

#### **⚠️ UYARI:**

- Anahtar tetiği tam olarak çalışmayan bir aleti ASLA kullanmayın. Anahtar çalışmayan bir alet SON DERECE TEHLİKELİ'dir ve kullanıma devam edilmeden önce onarılmalıdır.

### **Güvenlik kilidi düğmeli aletler için**

- **Şek.10:** 1. Güvenlik kilidi düğmesi 2. Anahtar tetik

#### **⚠️ DİKKAT:**

- Aleti kullanmadığınız zamanlarda güvenlik kilidi düğmesini çıkarın ve güvenli bir yerde saklayın. Bu, yetkisiz kullanımı önler.
- Güvenlik kilidi düğmesine basmadan anahtar tetiği sıkıca çekmeyin. Bu, anahtarın kırılmasına neden olabilir.

Anahtar tetiğinin kazara çekilmesini önlemek için, bir güvenlik kilidi düğmesi sunulmuştur. Aleti başlatmak için güvenlik kilidi düğmesine bastırın ve anahtar tetiği çekin. Durdurmak için anahtar tetiği bırakın.

#### **⚠️ UYARI:**

- Güvenliğiniz için, bu alet istem dışı başlatmayı önlemek için bir güvenlik kilidi ile donatılmıştır. Güvenlik kilidi düğmesine basmadan sadece anahtar tetik çekildiğinde çalışan bir aleti ASLA kullanmayın. Daha fazla kullanımdan ÖNCE tamir ettirmek için aleti bir Makita servisine götürün.
- Güvenlik kilidi düğmesini ASLA bantlamayın veya amacını ve işlevini engelleyecek şekilde devre dışı bırakmayın.

### **Güvenlik kilidi düğmesi bulunmayan aletler için**

- **Şek.11:** 1. Anahtar tetik

Aleti çalıştırın ve bıçak tam hıza ulaşana kadar bekleyin. Ardından, bıçağı hafifçe kesimin içine indirin.

Aleti çalıştırmak için anahtar tetiği çekmeniz yeterlidir. Durdurmak için anahtar tetiği bırakın.

## **MONTAJ**

#### **⚠️ DİKKAT:**

- Alet üzerinde herhangi bir işlem yapmadan önce mutlaka aletin kapalı ve fişinin çekili olduğundan emin olun.

### **Testere bıçağının takılması ve çıkarılması**

#### **⚠️ DİKKAT:**

- Bıçağı takmadan ya da çıkarmadan önce aletin kapalı ve fişinin çekili olduğundan daima emin olun.
- Bıçağı takmak ve çıkarmak için sadece ürünle verilen Makita lokma anahtarını kullanın. Aksi takdirde altıgen civata aşırı derecede ya da yetersiz sıkılabilir. Bu da yaralanmalara yol açabilir.

### **Bıçağın çıkarılması**

Bıçağı çıkarmak için lokma anahtarını kullanarak orta kapağı tutan altıgen civatayı saatin aksi yönünde çevirerek gevşetin. Bıçak siperini ve orta kapağı kaldırın.

- **Şek.12:** 1. Lokma anahtarı

İği kilitlemek için şaft kilidine bastırın ve lokma anahtarını kullanarak altıgen civatayı saatin aksi yönünde çevirerek gevşetin. Ardından altıgen civatayı, dış flanşı ve bıçağı çıkarın.

- **Şek.13:** 1. Şaft kilidi

- **Şek.14:** 1. Lokma anahtarı

## Bıçağın takılması

Bıçağı takmak için, dikkatli bir şekilde iğn üzerine monte edin ve bıçağın yüzeyindeki okun yönünün bıçak kılıfı üzerindeki okun yönü ile aynı olduğundan emin olun. Dış flanş ve altıgen civatayı takın ve şaft kilidine basılı tutarken lokma anahtarını kullanarak altıgen civatayı saat yönünde çevirerek sıkın.

► **Şek.15:** 1. Bıçak kılıfı 2. Ok 3. Testere bıçağı 4. Ok

### Avrupa tipi dışındakiler için

► **Şek.16:** 1. İğ 2. İç flanş 3. Bıçak 4. Dış flanş 5. Altıgen civata 6. 25,4 mm işaretli

### ⚠ DİKKAT:

- İç flanş bir tarafta 25 mm çapa, diğer tarafta 25,4 mm çapa sahiptir. 25,4 mm çaplı taraf "25.4" ile işaretlenmiştir. Kullanmayı planladığınız bıçağın delik çapı için doğru tarafı kullanın. Bıçağın yanlış tarafa takılması tehlikeli titreşimlere neden olabilir.

### Avrupa tipi için

► **Şek.17:** 1. İğ 2. İç flanş 3. Bıçak 4. Dış flanş 5. Altıgen civata

### ⚠ DİKKAT:

- İç flanş üzerindeki dışarı bakan 25 mm çıkıntısının testere bıçağının 25 mm deliğine tam olarak oturduğundan emin olun. Bıçağın yanlış tarafa takılması tehlikeli titreşimlere neden olabilir.

## Bıçak siperinin geri alınması

Bıçak siperini orijinal tam kapalı konumuna geri alırken bıçak siperi üzerindeki pimi kılavuz koldaki yuvaya geçirin. Ardından orta kapağı sabitlemek için altıgen civatayı saat yönünde sıkın. Bıçak siperinin düzgün bir şekilde hareket ettiğinden emin olmak için tutamağı indirin. Kesim yapmadan önce şaft kilidinin iği serbest bıraktığından emin olun.

► **Şek.18:** 1. Pim 2. Kılavuz kol

## Bir elektrikli süpürge bağlanması

Temiz kesim işlemi yapmak istediğinizde bir Makita elektrikli süpürge bağlayın.

► **Şek.19**

## Toz torbası

► **Şek.20:** 1. Toz toplama başlığı 2. Toz torbası 3. Bağlama elemanı

Toz torbası kullanımı, kesim işlemlerinin temiz, toz toplamanın da kolay bir şekilde yapılmasını sağlar. Toz torbasını toz oluğuna takın.

Toz torbasının yarısı dolduğunda toz torbasını aletten ayırın ve bağlama elemanını çekip çıkarın. Toz torbasının içine yapışan ve daha fazla toplama yapılmasını engelleyebilecek olan parçacıkların çıkması için torbaya hafifçe vurarak içindekileri boşaltın.

## İş parçasının sabitlenmesi

### ⚠ UYARI:

- İş parçasını daima mengene kullanarak doğru bir şekilde ve sıkıca sabitlemek oldukça önemlidir. Bunu yapmamak aletin zarar görmesine ve/veya iş parçasının parçalanmasına neden olabilir. KİŞİSEL YARALANMALAR DA GERÇEKLEŞEBİLİR. Bir kesme işleminden sonra bıçak tam olarak durmadan önce bıçağı KALDIRMAYIN.

### ⚠ DİKKAT:

- Uzun iş parçalarını keserken dönüş kaidesinin üst yüzeyinin seviyesinin yüksekliğinde destekler kullanın. İş parçasını sabitlemek için sadece dikey ve/veya yatay mengene yeterli olmayabilir. İnce malzemeler eğilebilir. Bıçağın sıkışmasını ve olası bir GERİ TEPMEYİ önlemek için iş parçasının tüm uzunluğu boyunca desteklendiğinden emin olun.

► **Şek.21:** 1. Destek 2. Dönüş kaidesi

## Yatay mengene (isteğe bağlı aksesuar)

► **Şek.22:** 1. Çıkıntı 2. Mengene topuzu

Yatay mengene, kaidenin sol veya sağ tarafına monte edilebilir. 15° veya daha büyük gönye kesimleri yaparken yatay mengene, dönüş kaidesinin çevrildiği yönün aksi tarafına takın. Mengene topuzu saatin aksi yönünde çevrilerek vida serbest bırakılır ve mengene mili hızlı bir şekilde içeri ve dışarı hareket ettirilebilir. Mengene topuzu saat yönünde çevrilirse vida sabitlenir. İş parçasını kavramak için, çıkıntı en üste gelene kadar mengene topuzu yavaşça saat yönünde çevirin ve ardından iyice sıkın. Mengene topuzu, saat yönünde çevrilirken içeri zorlanır veya dışarı çikilirse, çıkıntı bir açıda durabilir. Bu durumda, tekrar yavaşça saat yönünde çevirmeden önce vida serbest kalana kadar mengene topuzunu saatin aksi yönünde çevirin.

### ⚠ DİKKAT:

- İş parçasını ancak çıkıntı en üst konumdayken kavrayın. Aksi takdirde iş parçası yeterli bir şekilde sabitlenemeyebilir. Bu da iş parçasının fırlamasına, bıçağı zarar gelmesine veya kontrolün kaybedilmesine, sonuç olarak da YARALANMALARLA sebep olabilir.

## Dikey mengene (isteğe bağlı aksesuar)

► **Şek.23:** 1. Mengene rodu 2. Vida 3. Kılavuz bariyeri 4. Mengene topuzu 5. Mengene kolu

► **Şek.24:** 1. Mengene rodu 2. Vida 3. Mengene topuzu 4. Mengene kolu 5. Kılavuz bariyeri

Dikey mengene kılavuz bariyerinin sol veya sağ tarafına takılabilir. Mengene rodunu kılavuz bariyerindeki deliğe sokun ve mengene rodunu sabitlemek için vidayı sıkın. Mengene kolunu iş parçasının kalınlığına ve şekline göre konumlandırın ve vidayı sıkarak mengene kolunu sabitleyin. Mengene kolunu sabitleyecek vida kılavuz bariyerine temas ediyorsa vidayı, mengene kolunun diğer tarafına takın. Tutamağı tam olarak aşağı indirdiğinizde aletin hiçbir parçasının mengeneyle temas etmediğinden emin olun. Bazı parçalar mengeneyle temas ederse mengeneyi yeniden konumlandırın. İş parçasını kılavuz bariyeri tam olarak bastırın ve kaideyi döndürün. İş parçasını istenen kesim konumunda konumlandırın ve mengene topuzunu sıkarak iyice sabitleyin.

### ⚠ DİKKAT:

- Tüm işlemler sırasında iş parçası dönüş kaidesine ve kılavuz bariyerine mengene ile sıkıca sabitlenmelidir.

## Tutucuların takılması (isteğe bağlı aksesuarlar)

### ► Şek.25: 1. Tutucu 2. Vida

Tutucuları kaideinin her iki tarafına takın ve vidalarla sabitleyin.

## KULLANIM

### ⚠ DİKKAT:

- Kullanmadan önce, tutamak mandalını serbest bırakılmış konuma çevirerek tutamağı indirilmiş konumdan serbest bıraktığınıza emin olun.
- Anahtar açılmadan önce bıçağın iş parçasına veya başka bir yere temas etmediğinden emin olun.
- Kesim sırasında tutamağa aşırı basınç uygulamayın. Fazla güç kullanılması motorun aşırı yüklenmesine ve/veya kesim etkinliğinin düşmesine neden olabilir. Yumuşak bir kesim ve bıçak hızında önemli bir düşüş yaşanmaması için tutamağa sadece gereken oranda bir güçle bastırın.
- Kesimi gerçekleştirmek için tutamağa hafifçe bastırın. Tutamağa güç kullanılarak basılırsa veya yatay güç uygulanırsa, bıçak titreşir ve iş parçasında bir iz (testere izi) bırakır, kesimin hassasiyeti zarar görebilir.

## Kalıp kesme

### ► Şek.26

İş parçasını mengene ile sabitleyin. Bıçak hiçbir şeyle temas etmeyecek konumdayken aleti çalıştırın ve bıçağı indirmeden önce tam hıza ulaşmasını bekleyin. Ardından, iş parçasını kesmek için tutamağı yavaşça en alt konuma indirin. Kesim tamamlandığında, aleti kapatın ve bıçağı en üst konuma döndürmeden önce BİÇAK TAM OLARAK DURANA KADAR BEKLEYİN.

## Gönye kesme

Önceki sayfalarda yer verilen "Gönye açısını ayarlanması" bölümüne bakın.

## Alüminyum doğramanın kesilmesi

### ► Şek.27: 1. Yatay mengene 2. Ara blok 3. Alüminyum doğrama 4. Kılavuz bariyeri

Alüminyum doğramaları sabitlerken, alüminyumun deforme olmasını önlemek için ara blokları veya hurda parçalarını kullanın. Bıçak üzerinde alüminyum malzeme birikmesini önlemek için alüminyum doğramayı keserken bir kesim yağı kullanın.

### ⚠ DİKKAT:

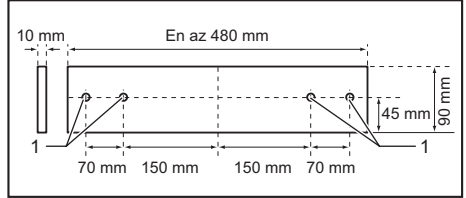
- Kalın veya yuvarlak alüminyum doğramaları asla kesmeye çalışmayın. Kalın alüminyum doğramalar çalışma sırasında gevşeyebilir, yuvarlak alüminyum doğramalar ise bu aletle sıkı bir şekilde sabitlenemeyebilir.

## Ahşap kaplama

### ► Şek.28: 1. Kılavuz bariyeri 2. Ahşap kaplama

Ahşap kaplama kullanımı iş parçalarında kıymıksız kesim yapılmasına yardımcı olur. Kılavuz bariyerdeki delikleri kullanarak kılavuz bariyeri ahşap kaplama için monte edilir.

Tavsiye edilen bir ahşap kaplamanın boyutlarını öğrenmek için ilgili şekle bakın.



### 1. Delik

### ⚠ DİKKAT:

- Ahşap kaplama olarak eşit kalınlıktaki düz bir tahta kullanın.
- Ahşap kaplamayı kılavuz bariyerine monte etmek için vidaları kullanın. Vidalar, vida başları ahşap kaplamanın yüzeyinin altında kalacak şekilde takılmalıdır.
- Ahşap kaplama takılı olduğunda, dönüş kaidesini tutamak aşağı konumdayken çevirmeyin. Bıçağı ve/veya ahşap kaplamaya zarar gelebilir.

### NOT:

- Ahşap kaplama takıldığında genişlik açısından maksimum kesme kapasitesi, ahşap kaplama kalınlığı kadar azalacaktır.

## Aynı uzunlukta yinelenen kesimler yapma

### ► Şek.29: 1. Ayar plakası 2. Tutucu 3. Vida

300 mm ile 400 mm arasında değişen aynı uzunlukta birkaç parça keserken, ayar plakası (isteğe bağlı aksesuar) kullanılması daha verimli işlem yapılmasını sağlar. Ayar plakasını şekilde gösterildiği gibi tutucuya (isteğe bağlı aksesuar) monte edin. İş parçasının kesim çizgisini, kesim tahtasındaki oluğun sağ veya sol tarafı ile hizalayın ve iş parçasını hareket etmemesi için tutarken ayar plakasını iş parçasının ucu ile aynı hizaya getirin. Ardından ayar plakasını vida ile sabitleyin. Ayar plakası kullanılmadığında, vidayı gevşetin ve ayar plakasını kaldırın.

### NOT:

- Tutucu-çubuk düzeneğinin kullanımı (isteğe bağlı aksesuar) yaklaşık 2.200 mm uzunluğa kadar yinelenen kesim yapmanızı sağlar.



## Aletin taşınması

### ► Şek.30: 1. Tutamak mandalı

Aletin fişten çekili olduğundan emin olun. Dönüş kaidesini sağ gönye açısında kavrama vasıtasıyla tamamen sabitleyin. Tutamağı tam aşağı indirin ve tutamak mandalını kilittli konuma çevirerek indirilmiş konumda kilitleyin.

Aleti, şekilde gösterildiği gibi alet kaidesinin her iki yanından tutarak taşıyın. Tutucuları, toz torbasını ve benzeri parçaları çıkarırsanız aleti daha kolay taşıyabilirsiniz.

### ► Şek.31

#### ▲ DİKKAT:

- Aleti taşımadan önce hareket eden tüm parçaları sabitleyin.
- Tutamak mandalı sadece taşıma ve saklama amaçları için tasarlanmıştır, kesim işlemlerinde kullanılmaz.

## BAKIM

#### ▲ DİKKAT:

- Alet üzerinde kontrol veya bakım işlemlerine başlamadan önce mutlaka aletin kapalı ve fişinin çekili olduğundan emin olun.
- Benzin, tiner, alkol ve benzeri maddeleri kesinlikle kullanmayın. Renk değişimi, deformasyon veya çatlaklar oluşabilir.

#### ▲ UYARI:

- En iyi ve en güvenli performans için bıçağın daima temiz ve keskin olduğundan emin olun.

## Kesim açısının ayarlanması

Bu alet fabrikada dikkatli bir şekilde ayarlanmış ve hizalanmıştır fakat kötü bir şekilde taşımak hizalamayı bozabilir. Aletinizi doğru bir şekilde hizalanmamışsa aşağıdakileri gerçekleştirin:

### ► Şek.32: 1. Altıgen civata

Dönüş kaidesini sabitleyen kavrama kolunu gevşetin. Dönüş kaidesini, işaretçi gönye ölçeği üzerinde 0°'yi gösterecek şekilde döndürün. Ardından dönüş kaidesini saat yönünde ve saatin aksi yönünde hafifçe çevirerek 0° gönye çentiğine oturmasını sağlayın. (İşaretçi 0°'yi göstermiyorsa olduğu gibi bırakın.) Lokma anahtarını kullanarak kılavuz bariyeri sabitleyen altıgen civataları gevşetin. Tutamağı tam aşağı indirin ve tutamak mandalını kilittli konuma çevirerek indirilmiş konumda kilitleyin. Üçgen cetvel, ayarlı gönye vb. yardımıyla bıçağın kenarını kılavuz bariyerin ön yüzüyle eşitleyin. Ardından sağ taraftan başlayarak sırayla kılavuz bariyeri üzerindeki altıgen civataları iyice sıkılayın.

### ► Şek.33: 1. Kılavuz bariyeri 2. Üçgen cetvel

Gösterge plakası üzerindeki işaretçinin gönye ölçeği üzerinde 0°'yi gösterdiğinden emin olun. İşaretçi 0°'yi göstermiyorsa, gösterge plakasını sabitleyen vidaları gevşetin ve işaretçi 0°'yi gösterecek şekilde ayarlayın.

### ► Şek.34: 1. İşaretçi 2. Vidalar 3. Gönye ölçeği

## Rahat tutamak hareketi için ayarlama

### ► Şek.35: 1. Dişli muhafazası 2. Altıgen kilit somunu 3. Kol

Dişli muhafazası ile kolu tutan altıgen kilit somunu, yukarı ve aşağı rahat tutamak hareketi sağlamak ve hassas kesim temin etmek için fabrikada ayarlanmıştır. Kurcalamayın.

Dişli muhafazası ve kol bağlantısında gevşeklik oluşursa aşağıdaki ayarı yapın. Altıgen kilit somununu sıkarken tutamağı yukarı ve aşağı hareket ettirin; altıgen kilit somununu sıkamak için en iyi konum, motor gövdesi ağırlığının açık olarak hissedilmesinden hemen önceki konumdur.

Altıgen kilit somununu ayarladıktan sonra tutamağın, her konumdan ilk, kalkık konuma otomatik olarak döndüğünden emin olun. Altıgen kilit somunu çok gevşek ise kesim doğruluğu etkilenir; çok sıkı ise tutamağın yukarı ve aşağı alınması zorlaşır. Bunun kendinden kilitlemeli somun olduğunu unutmayın. Normal kullanımında gevşemeyen özel tip bir somundur. Aşırı sıkılmaları veya başka tip somunlarla değiştirilmemelidir.

## Karbon fırçaların değişmesi

### ► Şek.36: 1. Sınır işareti

Karbon fırçaları düzenli olarak sökerek kontrol edin. Limit işaretine kadar aşındıklarında değiştirin. Karbon fırçaların temiz ve tutucuları içinde serbestçe kayar durumda kalmalarını sağlayın. Her iki karbon fırça aynı anda değiştirilmelidir. Sadece aynı karbon fırçaları kullanın.

Fırça tutucu kapaklarını çıkarmak için bir tornavida kullanın. Aşınmış karbon fırçalarını dışarı çıkarın, yerlerine yenilerini geçirin ve fırça tutucu kapaklarını sıkıca takın.

### ► Şek.37: 1. Tornavida 2. Fırça tutucu kapağı

## Kullanımdan sonra

- Kullanımdan sonra, parçacıkları ve alete yapışan tozları nemli bir bez veya benzeri ile temizleyin. Daha önce "Bıçak siperi" bölümünde anlatılan talimatları izleyerek bıçak siperini temiz tutun. Paslanmayı önlemek için kızıllı bölümleri alet yağı ile yağlayın.

Aleti EMNİYETLİ ve ÇALIŞMAYA HAZIR durumda tutmak için onarımlar, başka her türlü bakım ve ayarlamalar daima Makita yedek parçaları kullanılarak Makita Yetkili Servis Merkezleri tarafından yapılmalıdır.

## İSTEĞE BAĞLI AKSESUARLAR

▲ UYARI: Bu el kitabında belirtilen Makita aletiniz ile kullanılmalı için bu aksesuarlar ve ek parçalar tavsiye edilmektedir. Başka aksesuar ve ek parçaların kullanımı ciddi yaralanmalara yol açabilir.

▲ UYARI: Makita aksesuarları ya da ek parçaları yalnızca belirtilmiş olan kullanım amaçlarına uygun olarak kullanın. Bir aksesuarın ya da ek parçanın hatalı kullanımı ciddi yaralanmalara yol açabilir.

Bu aksesuarlarla ilgili daha fazla bilgiye ihtiyac duyarsanız bulunduğunuz yerdeki yetkili Makita servisine başvurun.

- Karbid uçlu testere bıçakları (Kesilecek materyalde kullanılacak doğru testere bıçakları için web sitemize bakın veya Makita satıcınıza başvurun.)

- Lokma anahtarı
- Tutucu seti
- Ayar plakası
- Toz torbası
- Üçgen cetvel
- Mengene tertibatı (Yatay mengene)
- Mengene tertibatı (Dikey mengene)
- Güvenlik kilidi düğmesi (2 adet)

**NOT:**

- Listedeki parçaların bazıları alet paketi içerisinde standart aksesuar olarak dahil edilmiş olabilir. Bunlar ülkeden ülkeye farklılık gösterebilir.

**Makita Europe N.V.** Jan-Baptist Vinkstraat 2,  
3070 Kortenberq, Belgium

**Makita Corporation** 3-11-8, Sumiyoshi-cho,  
Anjo, Aichi 446-8502 Japan

[www.makita.com](http://www.makita.com)

885682-994  
EN, FR, DE, IT, NL,  
ES, PT, DA, EL, TR  
20180914