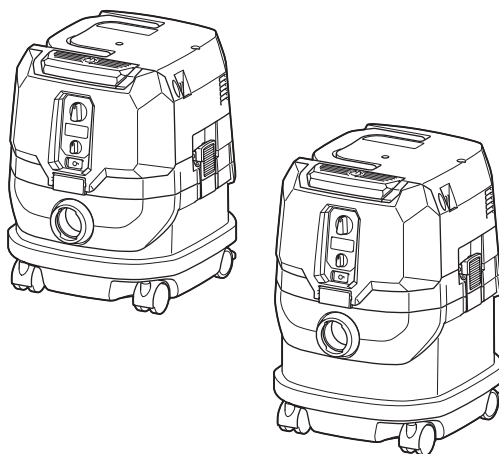




EN	Cordless Vacuum Cleaner	INSTRUCTION MANUAL	9
FR	Aspirateur Sans Fil	MANUEL D'INSTRUCTIONS	23
DE	Akku-Staubsauger	BETRIEBSANLEITUNG	39
IT	Aspirapolvere a batteria	ISTRUZIONI PER L'USO	55
NL	Accustofzuiger	GEBRUIKSAANWIJZING	71
ES	Aspiradora Inalámbrica	MANUAL DE INSTRUCCIONES	87
PT	Aspirador de Pó a Bateria	MANUAL DE INSTRUÇÕES	103
DA	Akku støvsuger	BRUGSANVISNING	119
EL	Φορητή σκούπα αναρρόφησης	ΕΓΧΕΙΡΙΔΙΟ ΟΔΗΓΙΩΝ	133
TR	Akülü Süpürge	KULLANMA KILAVUZU	150

VC002GL
VC004GL



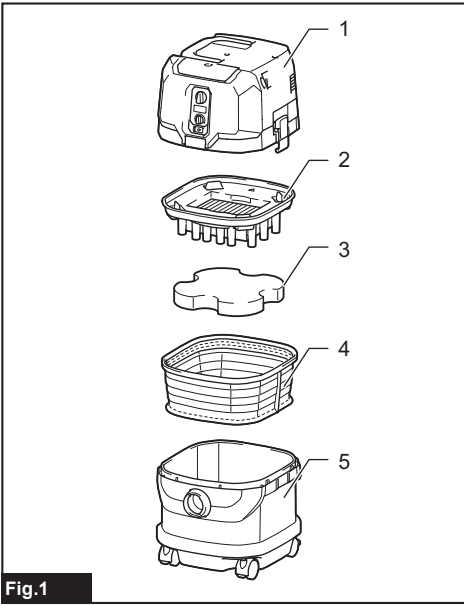


Fig.1

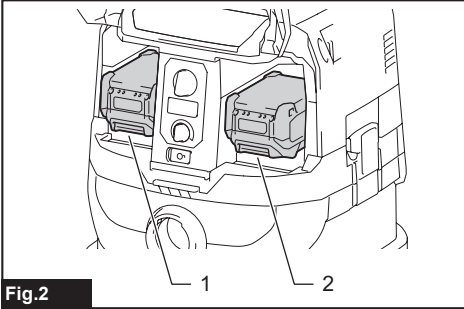


Fig.2

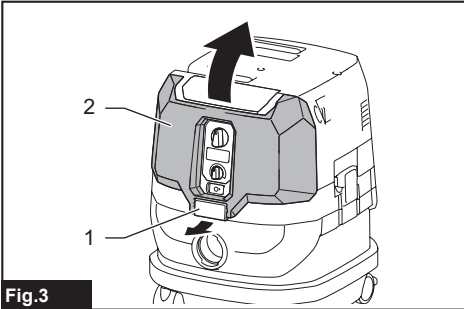


Fig.3

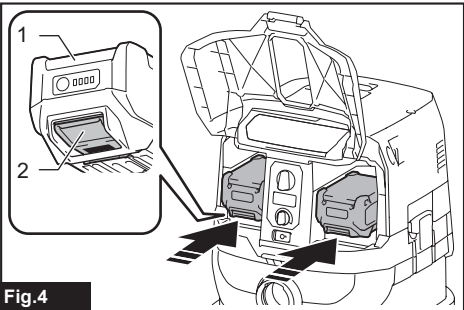


Fig.4

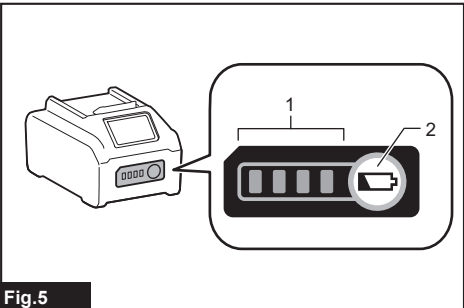


Fig.5

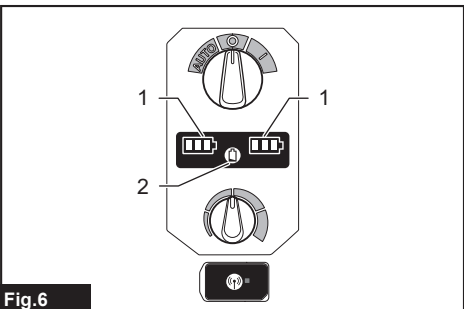


Fig.6

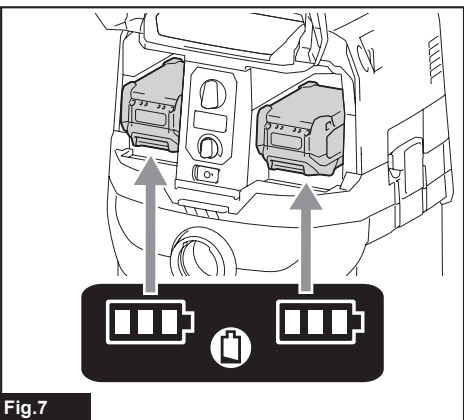


Fig.7

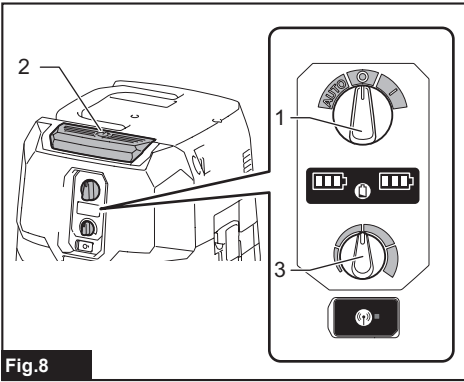


Fig.8

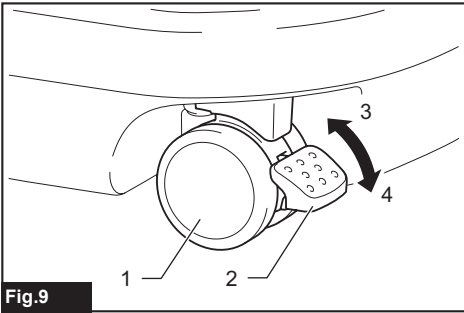


Fig.9

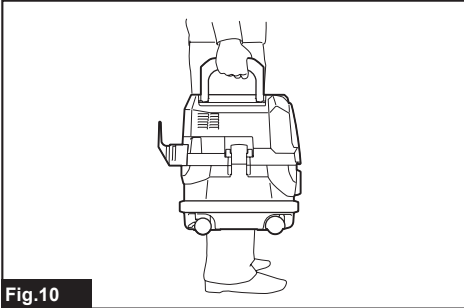


Fig.10

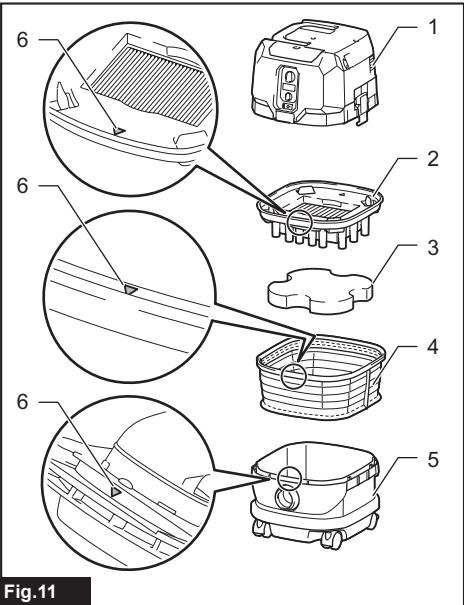


Fig.11

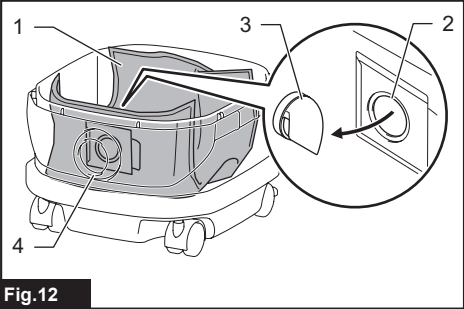


Fig.12

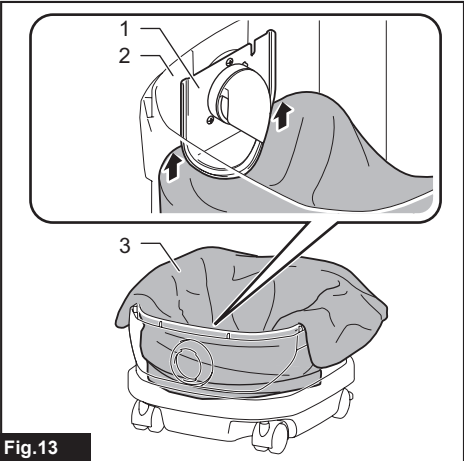


Fig.13

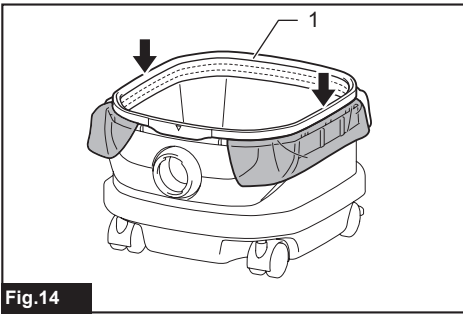


Fig.14

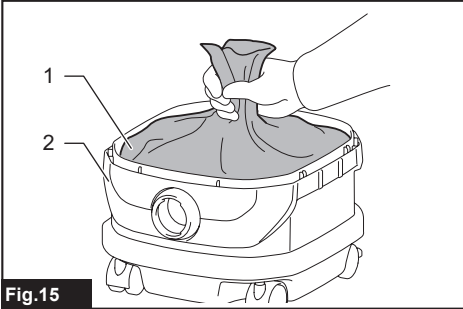


Fig.15

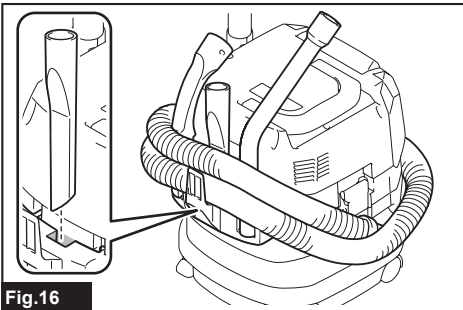


Fig.16

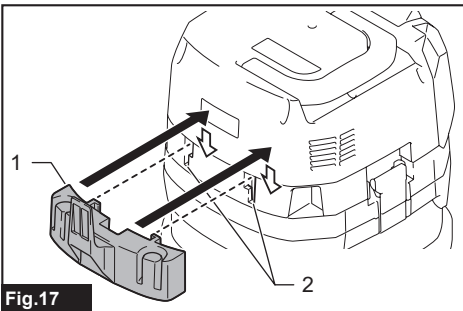


Fig.17

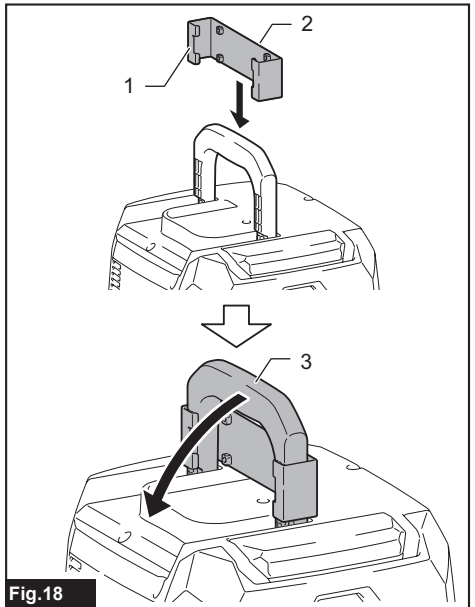


Fig.18

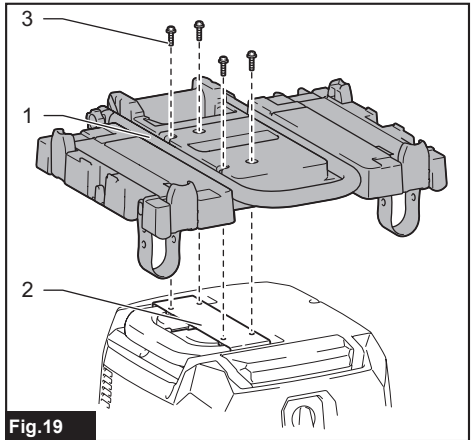


Fig.19

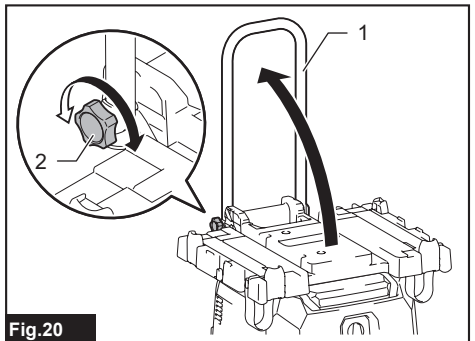


Fig.20

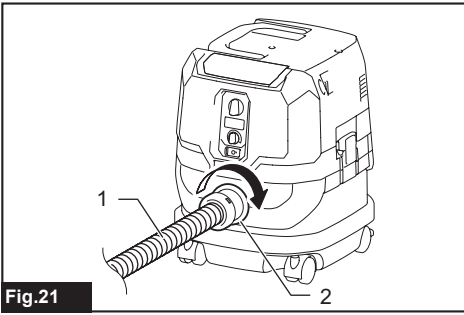


Fig.21

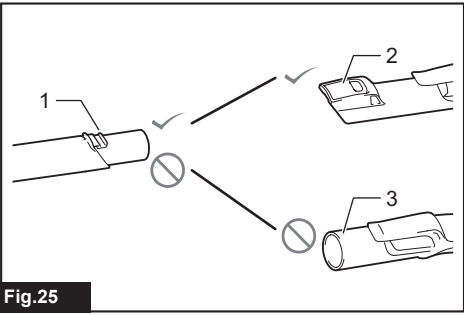


Fig.25

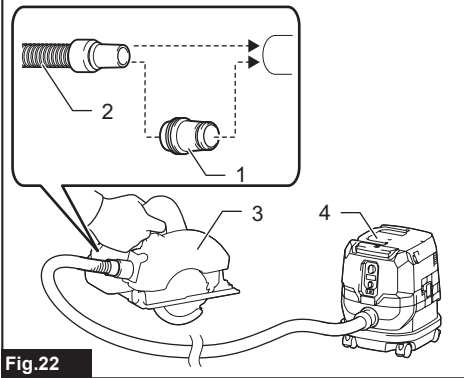


Fig.22

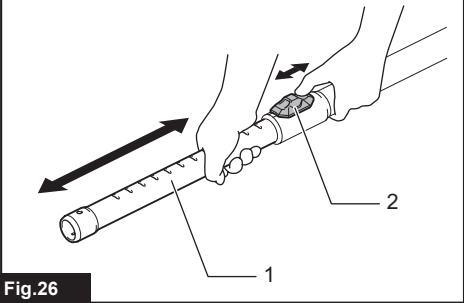


Fig.26

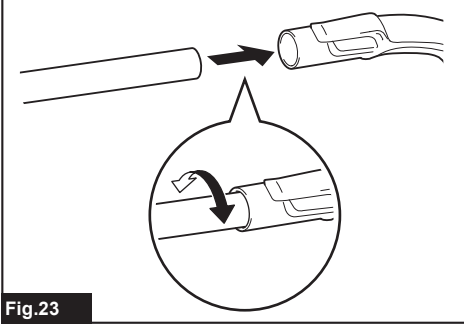


Fig.23

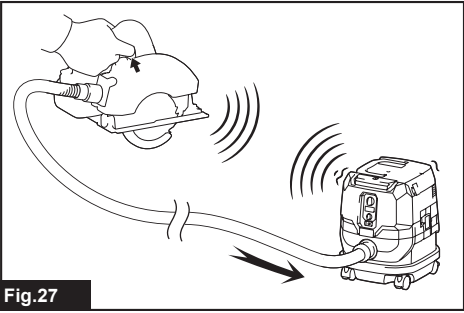


Fig.27

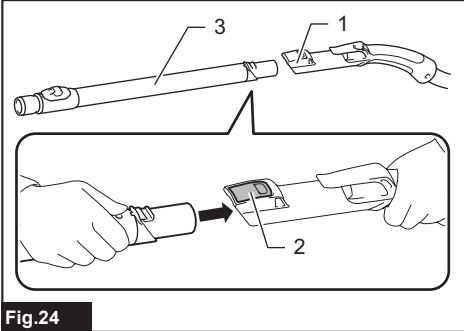


Fig.24

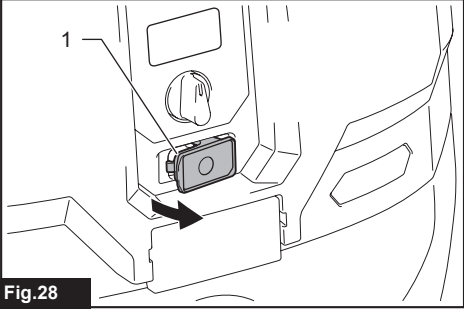


Fig.28

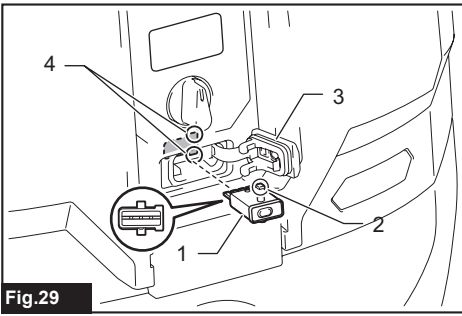


Fig.29

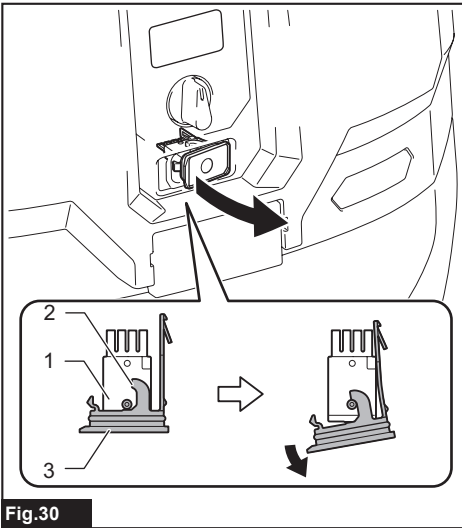


Fig.30

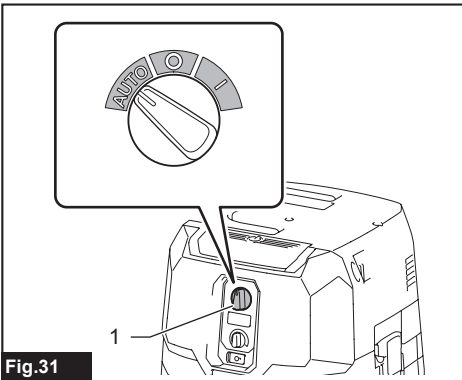


Fig.31

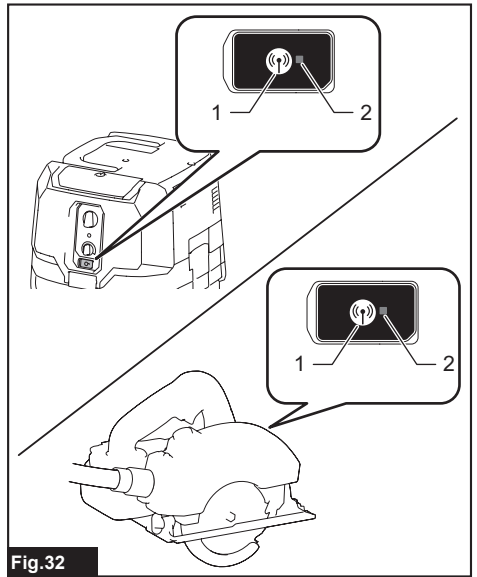


Fig.32

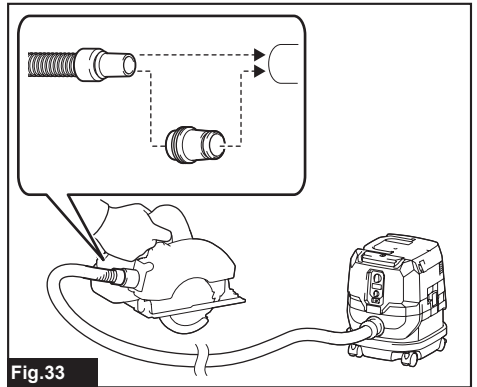


Fig.33

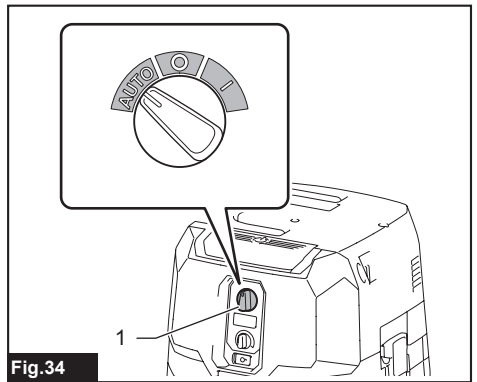
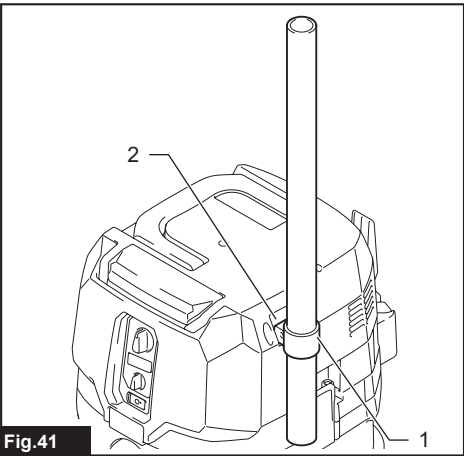
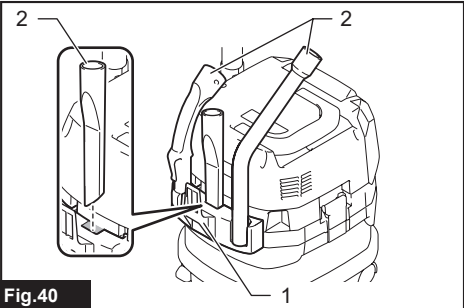
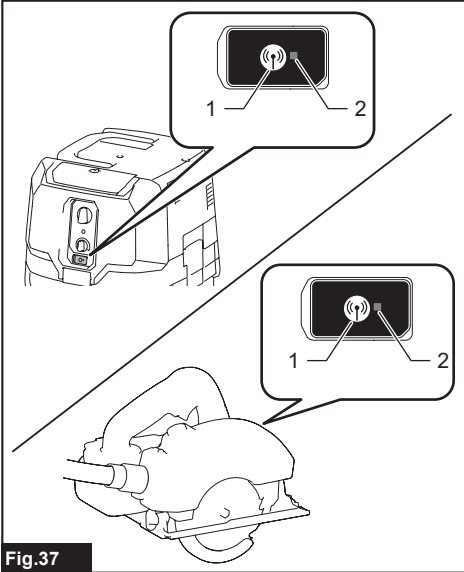
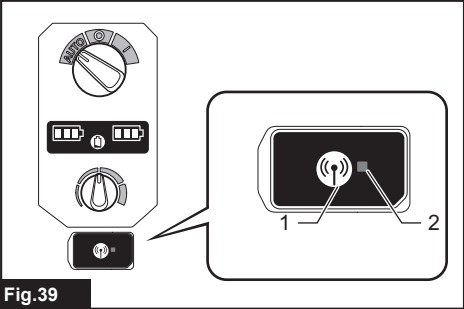
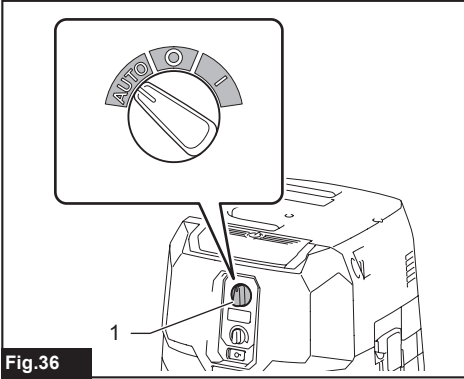
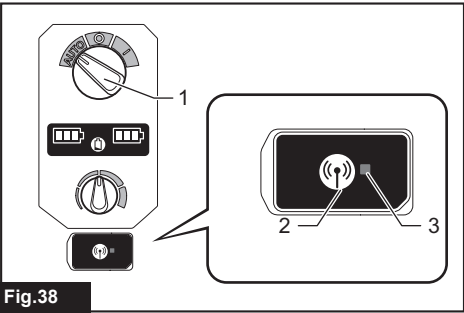
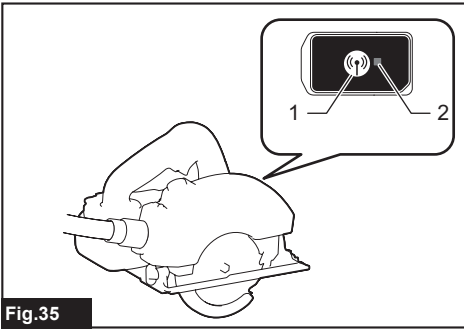


Fig.34



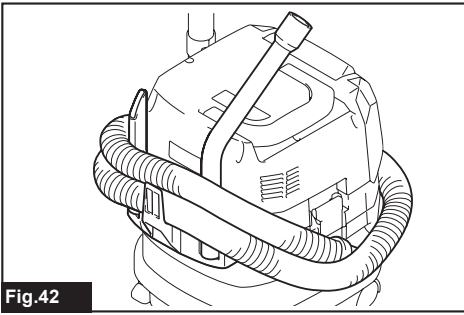


Fig.42

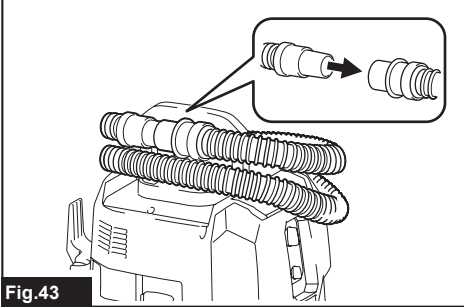


Fig.43

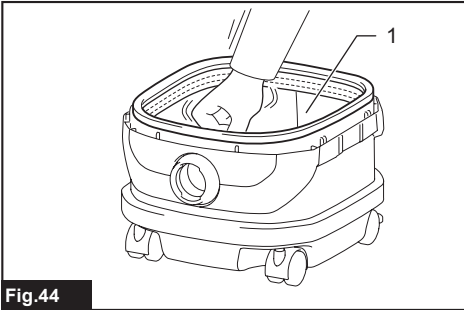


Fig.44

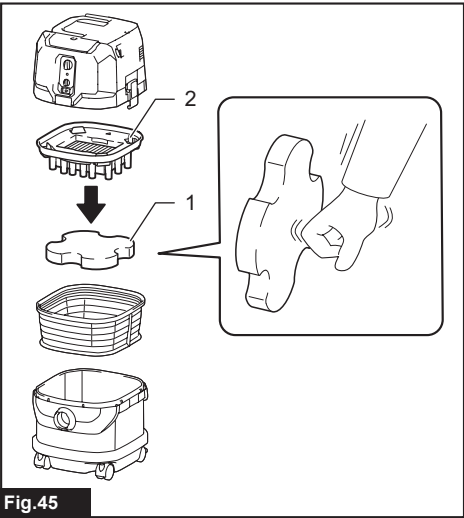


Fig.45

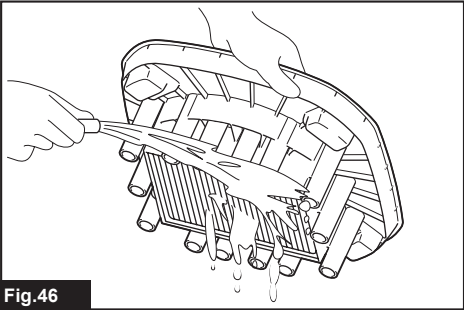


Fig.46

WARNING

- This machine is not intended for use by persons including children with reduced physical, sensory or mental capabilities, or lack of experience and knowledge.
- Children should be supervised to ensure that they do not play with the cleaner.
- See the chapter "SPECIFICATIONS" for the type reference of the battery.
- See the section "Installing or removing battery cartridge" for how to remove or install the battery.
- When disposing the battery cartridge, remove it from the tool and dispose of it in a safe place. Follow your local regulations relating to disposal of battery.
- If the tool is not used for a long period of time, the battery must be removed from the tool.
- Do not short the battery cartridge.
- See the chapter "MAINTENANCE" for the appropriate details of precautions during user maintenance.

SPECIFICATIONS

Model:	VC002GL	VC004GL
Standard filter type	Powder filter (for dry dust)	
Maximum air volume (with BL4040, ø38 mm x 2.5 m hose)	2.7 m ³ /min	
Vacuum (with BL4040, ø38 mm x 2.5 m hose)	23 kPa	
Recoverable capacity	8 L	15 L
Dimensions (L x W x H)	366 mm x 334 mm x 425 mm	366 mm x 334 mm x 475 mm
Rated voltage	D.C. 36 V - 40 V max	
Net weight	8.3 - 11.4 kg	8.6 - 11.7 kg
Protection degree	IPX4	

- Due to our continuing program of research and development, the specifications herein are subject to change without notice.
- Specifications and battery cartridge may differ from country to country.
- The weight does not include accessories but battery cartridge(s). The lightest and heaviest combination weight of the appliance and battery cartridge(s) are shown in the table.
- For wet dust, the float and the water filter or cloth filter are required.

Applicable battery cartridge and charger

Battery cartridge	BL4020 / BL4025 / BL4040* / BL4050F* / BL4080F* *: Recommended battery
Charger	DC40RA / DC40RB / DC40RC

- Some of the battery cartridges and chargers listed above may not be available depending on your region of residence.

⚠ WARNING: Only use the battery cartridges and chargers listed above. Use of any other battery cartridges and chargers may cause injury and/or fire.

Symbols

The followings show the symbols which may be used for the equipment. Be sure that you understand their meaning before use.



Read instruction manual.



Take particular care and attention.



Warning! The cleaner may contain hazardous dust.



Never stand on the cleaner.



Dust class L (light). The cleaners are capable of picking up dust class L. Follow your country's regulations relating to dusts and to occupational health and safety.



Only for EU countries
Due to the presence of hazardous components in the equipment, waste electrical and electronic equipment, accumulators and batteries may have a negative impact on the environment and human health. Do not dispose of electrical and electronic appliances or batteries with household waste!

In accordance with the European Directive on waste electrical and electronic equipment and on accumulators and batteries and waste accumulators and batteries, as well as their adaptation to national law, waste electrical equipment, batteries and accumulators should be stored separately and delivered to a separate collection point for municipal waste, operating in accordance with the regulations on environmental protection.

This is indicated by the symbol of the crossed-out wheeled bin placed on the equipment.

Intended use

The appliance is intended for collecting dry dust. The appliance is suitable for commercial use, for example in hotels, schools, hospitals, factories, shops, offices and rental businesses.

Noise

The typical A-weighted noise level determined according to EN60335-2-69:

Model VC002GL

Sound pressure level (L_{pA}) : 70 dB(A) or less
Uncertainty (K) : 2.5 dB(A)

Model VC004GL

Sound pressure level (L_{pA}) : 70 dB(A) or less
Uncertainty (K) : 2.5 dB(A)

The noise level under working may exceed 80 dB (A).

NOTE: The declared noise emission value(s) has been measured in accordance with a standard test method and may be used for comparing one tool with another.

NOTE: The declared noise emission value(s) may also be used in a preliminary assessment of exposure.

⚠ WARNING: Wear ear protection.

⚠ WARNING: The noise emission during actual use of the power tool can differ from the declared value(s) depending on the ways in which the tool is used especially what kind of workpiece is processed.

⚠ WARNING: Be sure to identify safety measures to protect the operator that are based on an estimation of exposure in the actual conditions of use (taking account of all parts of the operating cycle such as the times when the tool is switched off and when it is running idle in addition to the trigger time).

Vibration

The vibration total value (tri-axial vector sum) determined according to EN60335-2-69:

Model VC002GL

Vibration emission ($a_{h,M}$) : 2.5 m/s² or less
Uncertainty (K) : 1.5 m/s²

Model VC004GL

Vibration emission ($a_{h,M}$) : 2.5 m/s² or less
Uncertainty (K) : 1.5 m/s²

NOTE: The declared vibration total value(s) has been measured in accordance with a standard test method and may be used for comparing one tool with another.

NOTE: The declared vibration total value(s) may also be used in a preliminary assessment of exposure.

⚠ WARNING: The vibration emission during actual use of the power tool can differ from the declared value(s) depending on the ways in which the tool is used especially what kind of workpiece is processed.

⚠ WARNING: Be sure to identify safety measures to protect the operator that are based on an estimation of exposure in the actual conditions of use (taking account of all parts of the operating cycle such as the times when the tool is switched off and when it is running idle in addition to the trigger time).

EC Declaration of Conformity

For European countries only

The EC declaration of conformity is included as Annex A to this instruction manual.

SAFETY WARNINGS

Cordless vacuum cleaner safety warnings

⚠ WARNING: IMPORTANT! READ CAREFULLY all safety warnings and all instructions BEFORE USE. Failure to follow the warnings and instructions may result in electric shock, fire and/or serious injury.

1. Before use, make sure that this cleaner must be used by people who have been adequately instructed on the use of this cleaner.
2. Before use, operators shall be provided with information, instruction and training for the use of the machine and the substances for which it is to be used, including the safe method of removal and disposal of the material collected.
3. Always make sure that filters are correctly installed before use. Do not use the cleaner without filters in place. Replace a damaged filter immediately. It is recommended to have some spares as filters are consumable items.
4. AVOID UNINTENTIONAL STARTING. Be sure switch is OFF when installing battery(ies).

5. Do not attempt to pick up flammable materials, fire works, lighted cigarettes, hot ashes, hot metal chips, sharp materials such as razors, needles, broken glass or the like.
 6. NEVER USE THE CLEANER IN THE VICINITY OF GASOLINE, GAS, PAINT, ADHESIVES OR OTHER HIGHLY EXPLOSIVE SUBSTANCES. The switch emits sparks when turned ON and OFF. And so does the motor commutator during operation. A dangerous explosion may result.
 7. Never vacuum up toxic, carcinogenic, combustible or other hazardous materials such as asbestos, arsenic, barium, beryllium, lead, pesticides, or other health endangering materials.
 8. Always place the cleaner on a horizontal flat surface to prevent it from falling or moving unintentionally.
 9. Never use the cleaner outdoors in the rain.
 10. For Finland, this machine is not to be used outdoors at low temperature.
 11. Do not use close to heat sources (stoves, etc.).
 12. If the exhaust air is returned to the room, it is necessary to provide for an adequate air change rate in the room. Reference to National regulations is necessary.
 13. Do not block suction inlet/outlet/cooling vents. These vents permit cooling of the motor. Blockage should be carefully avoided otherwise the motor will burn out due to a lack of ventilation.
 14. Keep proper footing and balance at all times.
 15. Do not fold, tug or step on the hose.
 16. Stop the cleaner immediately if you notice poor performance or anything abnormal during operation.
 17. REMOVE THE BATTERY(IES). When not in use, before servicing, and when changing accessories.
 18. Clean and service the cleaner immediately after each use to keep it in tiptop operating condition.
 19. MAINTAIN THE CLEANER WITH CARE. Keep the cleaner clean for better and safer performance. Follow instructions for changing accessories. Keep handles dry, clean, and free from oil and grease.
 20. CHECK DAMAGED PARTS. Before further use of the cleaner, a guard or other part that is damaged should be carefully checked to determine that it will operate properly and perform its intended function. Check for alignment of moving parts, binding of moving parts, breakage of parts, mounting, and any other conditions that may affect its operation. A guard or other part that is damaged should be properly repaired or replaced by an authorized service center unless otherwise indicated elsewhere in this instruction manual. Have defective switches replaced by authorized service center. Don't use the cleaner if switch does not turn it on and off.
 21. For user servicing, the machine shall be dismantled, cleaned and serviced, as far as is reasonably practicable, without causing risk to the maintenance staff and others.
 22. The machine should be technically inspected by the manufacturer, or an instructed person, at least annually, consisting of, for example, inspection of filters for damage, air tightness of the machine and proper function of the control mechanism.
 23. When carrying out service or repair operations, all contaminated items which cannot be satisfactorily cleaned are to be disposed of; such items shall be disposed of in impervious bags in accordance with any current regulation for the disposal of such waste.
 24. REPLACEMENT PARTS. When servicing, use only identical replacement parts.
 25. When not in use, always store the cleaner indoors.
 26. Be kind to your cleaner. Rough handling can cause breakage of even the most sturdily built cleaner.
 27. Do not attempt to clean the exterior or interior with benzine, thinner or cleaning chemicals. Cracks and discoloration may be caused.
 28. Do not use cleaner in an enclosed space where flammable, explosive or toxic vapors are given off by oil-base paint, paint-thinner, gasoline, some mothproofing substances, etc., or in areas where flammable dust is present.
 29. Do not operate the cleaner or any tool while under the influence of drugs or alcohol.
 30. As a basic rule of safety, use safety goggles or safety glasses with side shields.
 31. Use a dust mask in dusty work conditions.
 32. This machine is not intended for use by persons including children with reduced physical, sensory or mental capabilities, or lack of experience and knowledge.
 33. Children should be supervised to ensure that they do not play with the cleaner.
 34. Never handle battery(ies) and cleaner with wet hands.
 35. Use extreme caution when cleaning on stairs.
 36. Do not use the cleaner as a stool or work bench. The machine may fall down and may result in personal injury.
 37. Do not pick up foam or soapy liquid. It can cause foam to come out of air exit, resulting in electric shock and damage to the cleaner.
- Battery tool use and care**
1. Recharge only with the charger specified by the manufacturer. A charger that is suitable for one type of battery pack may create a risk of fire when used with another battery pack.
 2. Use power tools only with specifically designated battery packs. Use of any other battery packs may create a risk of injury and fire.
 3. When battery pack is not in use, keep it away from other metal objects, like paper clips, coins, keys, nails, screws or other small metal objects, that can make a connection from one terminal to another. Shorting the battery terminals together may cause burns or a fire.
 4. Under abusive conditions, liquid may be ejected from the battery; avoid contact. If contact accidentally occurs, flush with water. If liquid contacts eyes, additionally seek medical help. Liquid ejected from the battery may cause irritation or burns.

5. **Do not use a battery pack or tool that is damaged or modified.** Damaged or modified batteries may exhibit unpredictable behaviour resulting in fire, explosion or risk of injury.
6. **Do not expose a battery pack or tool to fire or excessive temperature.** Exposure to fire or temperature above 130 °C may cause explosion.
7. **Follow all charging instructions and do not charge the battery pack or tool outside the temperature range specified in the instructions.** Charging improperly or at temperatures outside the specified range may damage the battery and increase the risk of fire.
10. **The contained lithium-ion batteries are subject to the Dangerous Goods Legislation requirements.** For commercial transports e.g. by third parties, forwarding agents, special requirement on packaging and labeling must be observed. For preparation of the item being shipped, consulting an expert for hazardous material is required. Please also observe possibly more detailed national regulations.
Tape or mask off open contacts and pack up the battery in such a manner that it cannot move around in the packaging.

SAVE THESE INSTRUCTIONS.

⚠WARNING: DO NOT let comfort or familiarity with product (gained from repeated use) replace strict adherence to safety rules for the subject product. MISUSE or failure to follow the safety rules stated in this instruction manual may cause serious personal injury.

Important safety instructions for battery cartridge

1. **Before using battery cartridge, read all instructions and cautionary markings on (1) battery charger, (2) battery, and (3) product using battery.**
2. **Do not disassemble or tamper with the battery cartridge.** It may result in a fire, excessive heat, or explosion.
3. **If operating time has become excessively shorter, stop operating immediately.** It may result in a risk of overheating, possible burns and even an explosion.
4. **If electrolyte gets into your eyes, rinse them out with clear water and seek medical attention right away.** It may result in loss of your eyesight.
5. **Do not short the battery cartridge:**
 - (1) **Do not touch the terminals with any conductive material.**
 - (2) **Avoid storing battery cartridge in a container with other metal objects such as nails, coins, etc.**
 - (3) **Do not expose battery cartridge to water or rain.**

A battery short can cause a large current flow, overheating, possible burns and even a breakdown.
6. **Do not store and use the tool and battery cartridge in locations where the temperature may reach or exceed 50 °C (122 °F).**
7. **Do not incinerate the battery cartridge even if it is severely damaged or is completely worn out.** The battery cartridge can explode in a fire.
8. **Do not nail, cut, crush, throw, drop the battery cartridge, or hit against a hard object to the battery cartridge.** Such conduct may result in a fire, excessive heat, or explosion.
9. **Do not use a damaged battery.**
11. **When disposing the battery cartridge, remove it from the tool and dispose of it in a safe place.** Follow your local regulations relating to disposal of battery.
12. **Use the batteries only with the products specified by Makita.** Installing the batteries to non-compliant products may result in a fire, excessive heat, explosion, or leak of electrolyte.
13. **If the tool is not used for a long period of time, the battery must be removed from the tool.**
14. **During and after use, the battery cartridge may take on heat which can cause burns or low temperature burns.** Pay attention to the handling of hot battery cartridges.
15. **Do not touch the terminal of the tool immediately after use as it may get hot enough to cause burns.**
16. **Do not allow chips, dust, or soil stuck into the terminals, holes, and grooves of the battery cartridge.** It may cause heating, catching fire, burst and malfunction of the tool or battery cartridge, resulting in burns or personal injury.
17. **Unless the tool supports the use near high-voltage electrical power lines, do not use the battery cartridge near a high-voltage electrical power lines.** It may result in a malfunction or breakdown of the tool or battery cartridge.
18. **Keep the battery away from children.**

SAVE THESE INSTRUCTIONS.

⚠CAUTION: Only use genuine Makita batteries. Use of non-genuine Makita batteries, or batteries that have been altered, may result in the battery bursting causing fires, personal injury and damage. It will also void the Makita warranty for the Makita tool and charger.

Tips for maintaining maximum battery life

1. **Charge the battery cartridge before completely discharged.** Always stop tool operation and charge the battery cartridge when you notice less tool power.
2. **Never recharge a fully charged battery cartridge.** Overcharging shortens the battery service life.
3. **Charge the battery cartridge with room temperature at 10 °C - 40 °C (50 °F - 104 °F).** Let a hot battery cartridge cool down before charging it.
4. **When not using the battery cartridge, remove it from the tool or the charger.**
5. **Charge the battery cartridge if you do not use it for a long period (more than six months).**

Important safety instructions for wireless unit

1. Do not disassemble or tamper with the wireless unit.
2. Keep the wireless unit away from young children. If accidentally swallowed, seek medical attention immediately.
3. Use the wireless unit only with Makita tools.
4. Do not expose the wireless unit to rain or wet conditions.
5. Do not use the wireless unit in places where the temperature exceeds 50 °C (122 °F).
6. Do not operate the wireless unit in places where medical instruments, such as heart pace makers are nearby.
7. Do not operate the wireless unit in places where automated devices are nearby. If operated, automated devices may develop malfunction or error.
8. Do not operate the wireless unit in places under high temperature or places where static electricity or electrical noise could be generated.
9. The wireless unit can produce electromagnetic fields (EMF) but they are not harmful to the user.
10. The wireless unit is an accurate instrument. Be careful not to drop or strike the wireless unit.
11. Avoid touching the terminal of the wireless unit with bare hands or metallic materials.
12. Always remove the battery on the product when installing the wireless unit into it.
13. When opening the lid of the slot, avoid the place where dust and water may come into the slot. Always keep the inlet of the slot clean.
14. Always insert the wireless unit in the correct direction.
15. Do not press the wireless activation button on the wireless unit too hard and/or press the button with an object with a sharp edge.
16. Always close the lid of the slot when operating.
17. Do not remove the wireless unit from the slot while the power is being supplied to the tool. Doing so may cause a malfunction of the wireless unit.
18. Do not remove the sticker on the wireless unit.
19. Do not put any sticker on the wireless unit.
20. Do not leave the wireless unit in a place where static electricity or electrical noise could be generated.
21. Do not leave the wireless unit in a place subject to high heat, such as a car sitting in the sun.
22. Do not leave the wireless unit in a dusty or powdery place or in a place corrosive gas could be generated.
23. Sudden change of the temperature may bedew the wireless unit. Do not use the wireless unit until the dew is completely dried.

24. When cleaning the wireless unit, gently wipe with a dry soft cloth. Do not use benzine, thinner, conductive grease or the like.
25. When storing the wireless unit, keep it in the supplied case or a static-free container.
26. Do not insert any devices other than Makita wireless unit into the slot on the tool.
27. Do not use the tool with the lid of the slot damaged. Water, dust, and dirt come into the slot may cause malfunction.
28. Do not pull and/or twist the lid of the slot more than necessary. Restore the lid if it comes off from the tool.
29. Replace the lid of the slot if it is lost or damaged.

SAVE THESE INSTRUCTIONS.

PARTS DESCRIPTION

- Fig.1: 1. Head unit 2. Powder filter (HEPA)
3. Damper 4. Prefilter 5. Tank

FUNCTIONAL DESCRIPTION

CAUTION: Always be sure that the appliance is switched off and the battery cartridges are removed before adjusting or checking function on the appliance.

Installing or removing battery cartridge

CAUTION: Always switch off the appliance before installing or removing battery cartridges.

CAUTION: Hold the cleaner and battery cartridges firmly when installing or removing battery cartridges. Failure to do so may cause them to slip off your hands, resulting in damage to the cleaner and battery cartridges or personal injury.

CAUTION: Be careful not to pinch your fingers when opening or closing the battery cover. Failure to do so may cause personal injury.

The cleaner has double battery slots. With two identical batteries in parallel, you can extend your running time in one or more uses without having to stop to recharge batteries. The cleaner also works with a single battery, so you can choose with either double batteries or single battery according to your needs.

- Fig.2: 1. Left battery slot 2. Right battery slot

With double batteries

Continuous drive with two batteries allows longer runtime and more efficient cleaning. When the first battery is becoming empty, the cleaner automatically switches a power source, so it continues working with the second battery.

NOTE: The left battery slot (when facing the front of the cleaner) has priority over the right battery slot. The right battery slot will only be identified as a power source, either when no battery is installed in the left battery slot or the battery in the left battery slot becomes empty.

NOTE: You can remove the battery from the left battery slot and recharge it after the cleaner has switched its power source from the left battery slot to the right without ceasing operation. To give priority back to the left battery slot after installing a recharged battery, restart the cleaner.

With a single battery

Only one battery is required as a power source in either the left or right battery slot. The cleaner automatically determines which battery slot is available according to operating conditions.

Installation and uninstallation

To install battery cartridges, release the lock first, and open the battery cover. Then insert the battery cartridges.

► **Fig.3:** 1. Lock 2. Battery cover

Align the tongues on the battery cartridges with the grooves in the battery housing and slip them into place. Insert them all the way until they lock in place with a little click.

Then lock the battery cover.

► **Fig.4:** 1. Battery cartridge 2. Button

To remove the battery cartridges, slide them out of the battery housing while pressing and holding the buttons in front of the cartridges.

CAUTION: Always install the battery cartridge fully. If not, it may accidentally fall out of the appliance, causing injury to you or someone around you.

CAUTION: Do not install the battery cartridge forcibly. If the cartridge does not slide in easily, it is not being inserted correctly.

NOTE: When the cleaner switches the power source from the first battery to the second, it may require a temporary halt in operations, causing a slight loss of suction. Please note that it is not malfunction so the cleaner recovers and resumes operations immediately after the pause.

Indicating the remaining battery capacity

Press the check button on the battery cartridge to indicate the remaining battery capacity. The indicator lamps light up for a few seconds.

► **Fig.5:** 1. Indicator lamps 2. Check button

Indicator lamps			Remaining capacity
Lighted	Off	Blinking	
■ ■ ■ ■			75% to 100%
■ ■ ■ □			50% to 75%
■ ■ □ □			25% to 50%
■ □ □ □			0% to 25%
▣ □ □ □			Charge the battery.
■ ■ □ □			The battery may have malfunctioned.
□ □ ■ ■	↑ ↓		

NOTE: Depending on the conditions of use and the ambient temperature, the indication may differ slightly from the actual capacity.

NOTE: The first (far left) indicator lamp will blink when the battery protection system works.

Battery indicators on control panel

The remaining battery capacity can be read on the control panel at any time. Press the check button, and the left and right indicators will show the battery charge levels correspondingly.

► **Fig.6:** 1. Battery indicators 2. Check button

► **Fig.7**

Battery indicator status			Remaining battery capacity
On	Off	Blinking	
■ ■ ■ ■			50% to 100%
■ ■ ■ □			20% to 50%
■ □ □ □			0% to 20%
▣ □ □ □			Charge the battery
			Battery not inserted

NOTE: The battery indicators will also be activated when the cleaner starts functioning or switches its power source from one to another.

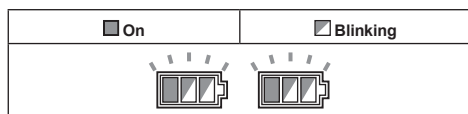
Appliance / battery protection system

The appliance is equipped with an appliance/battery protection system. This system automatically cuts off power to the motor to extend appliance and battery life. The appliance will automatically stop during operation if the appliance or battery is placed under one of the following conditions:

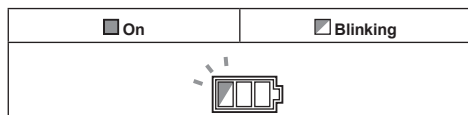
Overload protection

When the appliance/battery is operated in a manner that causes it to draw an abnormally high current, the appliance automatically stops. In this situation, turn the appliance off and stop the application that caused the appliance to become overloaded. Then turn the appliance on to restart.

Overheat protection



When the appliance is overheated, the appliance stops automatically, and both left and right battery indicators blink. In this situation, let the appliance cool down before turning the appliance on again.



When the battery is overheated, the appliance stops automatically, and one of the indicators for overheated battery blinks. In this situation, let the battery cool down before turning the appliance on again.

Overdischarge protection

When the battery capacity becomes low, the appliance stops automatically. If the appliance does not run along with the switch operation, remove the batteries from the appliance and recharge them.

Protections against other causes

Protection system is also designed for other causes that could damage the appliance and allows the appliance to stop automatically. Take all the following steps to clear the causes, when the appliance has been brought to a temporary halt or stop in operation.

1. Turn the appliance off, and then turn it on again to restart.
2. Charge the battery(ies) or replace it/them with recharged battery(ies).
3. Let the appliance and battery(ies) cool down.

If no improvement can be found by restoring protection system, then contact your local Makita Service Center.

Switch action

Turning cleaner on

1. Turn the stand-by switch in the "I" (ON) or "AUTO" (ON) position to have the cleaner ready in stand-by mode.
2. Press the power button.
To switch back to stand-by mode, press the power button again.

Turning cleaner off

Perform one of the following steps.

- Press the power button to set the cleaner back in stand-by mode, and then turn the stand-by switch in the "O" (OFF) position.
- Turn the stand-by switch in the "O" (OFF) position.

Adjusting suction power

The suction power can be adjusted according to your work needs.

- Turn the suction force adjusting knob to the left to reduce the suction power.
- Turn the suction force adjusting knob to the right to increase the suction power.

► **Fig.8:** 1. Stand-by switch 2. Power button 3. Suction force adjusting knob

Locking and unlocking casters

Rear casters can be locked with stoppers to help the cleaner stand still.

Lower the stopper lever by hand to lock the caster, and raise it up to release.

► **Fig.9:** 1. Caster 2. Stopper lever 3. Unlocked position 4. Locked position

NOTE: When moving the cleaner, make sure that the caster is unlocked. Moving the cleaner with the caster in a locked position may cause damage to the caster.

Carriage handle

CAUTION: Lift and carry the appliance with due care. Failing to do so may result in personal injury or damage to the appliance.

When carrying the cleaner, carry it by holding the handle on the head unit. The handle is retractable on the head unit when not in use.

► **Fig.10**

ASSEMBLY

⚠ CAUTION: Always be sure that the appliance is switched off and the battery cartridges are removed before carrying out any work on the appliance.

⚠ CAUTION: Always wear dust mask during assembly or maintenance.

Installing powder filter (HEPA) and prefilter (for dry dust)

⚠ CAUTION: Never pick up water or other liquids or wet dusts when using the powder filter. Picking up such things may cause the powder filter breakage.

To use powder filter:

1. Place the prefilter into the tank aligning the mounting position markings on the prefilter and tank.
2. Set the damper into the prefilter, and then place the powder filter over the damper aligning the mounting position markings on the powder filter and prefilter.
3. Mount the head unit over the tank and secure them with the locking latches.

► **Fig.11:** 1. Head unit 2. Powder filter (HEPA) 3. Damper 4. Prefilter 5. Tank 6. Mounting position marking

NOTICE: Before using the powder filter, make sure that prefilter and damper are used together. It is not allowed to install powder filter alone.

Installing paper pack

Optional accessory

⚠ WARNING: Before using a paper pack, make sure that the prefilter is used together. Failure to use the prefilter together may cause unusual noise and heat, resulting in a fire.

NOTICE: Never pick up water or other liquids or wet dusts when using a paper pack. Picking up such things may cause the paper pack breakage.

NOTICE: Before using a paper pack, make sure that the powder filter, damper and prefilter are always used together.

1. Unfold a paper pack.
 2. Align the paper pack opening with the dust intake of the tank.
 3. Install the paper pack into the tank with its cardboard opening hooked on the paper pack holder.
- **Fig.12:** 1. Paper pack 2. Cardboard opening 3. Paper pack holder 4. Dust intake

Installing polyethylene bag

With a polyethylene bag installed in the tank, you can easily empty the tank without letting your hands dirty.

Lay a polyethylene bag over the tank, and slip one side of the top edge of the bag at its open end in between the holder plate and the front wall of the tank.

► **Fig.13:** 1. Holder plate 2. Front wall of tank 3. Polyethylene bag

Spread the other top edges of the bag outwards over the top rims of the tank. Place the prefilter over the polyethylene bag to fasten the opening of the bag securely.

► **Fig.14:** 1. Prefilter

NOTE: A polyethylene bag available on the market can be used. 0.04 mm or thicker one is recommended.

NOTE: Too much dust will tear the bag easily, so do not collect the dust more than the half of the bag capacity.

Emptying tank with polyethylene bag

⚠ WARNING: Always make sure that the cleaner is switched off and the battery cartridges are removed before emptying the tank. Failure to do so may cause an electric shock and serious personal injury.

NOTICE: Do not apply a great impact on the tank. Applying a great impact may cause deformation and damage to the parts.

NOTICE: Empty the tank at least once a day although this depends on picked-up dust volume in the tank. Or, the suction force will weaken and the motor may be broken.

NOTICE: Do not grab the hooks or latches when emptying the tank. Grabbing the hooks or latches may cause them to break.

Release the locking latches and lift the head unit up off the tank.

Shake off dust from the prefilter before lifting the filter away from the tank.

Then remove the polyethylene bag out of the tank, closing the opening of the bag by hand.

► **Fig.15:** 1. Polyethylene bag 2. Tank

NOTE: Take the polyethylene bag out of the tank carefully to avoid it from being scratched and torn by the edges inside the tank.

NOTE: Empty the polyethylene bag before it becomes full. Too much dust in the tank may cause the polyethylene bag to be torn.

Installing multi hook

Use the multi hook to hold a hose, accessories and attachments not in use in place, and you can quickly take them out according to your preferences.

► **Fig.16**

Place the multi hook over the mounting base at the rear of the cleaner, setting the rails on the multi hook along the grooves on the mounting base.

► **Fig.17:** 1. Multi hook 2. Mounting base

Installing MAKPAC adapter

Optional accessory

Connectable and stackable MAKPAC storage cases can be installed on top of the cleaner with an optional adapter. The cases are available in many sizes and styles to suit your preferences.

Place the mounting base hook over the handle of the cleaner with its mounting surface facing upwards when the handle is folded into the closed position.

► **Fig.18:** 1. Mounting base hook 2. Mounting surface 3. Handle

Mount the MAKPAC adapter onto the mounting base hook, and secure them together with four screws provided.

► **Fig.19:** 1. MAKPAC adapter 2. Mounting base hook 3. Screw

Lift the push bar up and tighten the knob to prepare installing the MAKPAC cases onto the cleaner.

► **Fig.20:** 1. Push bar 2. Knob

NOTE: For details on installing the MAKPAC cases, refer to the instructions provided with the MAKPAC adapter and cases.

Installing hose

NOTICE: Never force the hose for bending or stamp it. Never move the cleaner by pulling the hose. Forcing, stamping and pulling the hose may cause a breakage or deformation of the hose.

NOTICE: When picking up large wastes such as planer carvings, concrete dusts or similar other than small wastes, use the 38 mm inner diameter hose (optional accessory). Using the 28 mm inner diameter hose (optional accessory) may cause a hose stuffing and damage.

Connection to cleaner

Insert the hose end to the dust intake (hose inlet) of the cleaner, then turn it clockwise until it locks in place.

► **Fig.21:** 1. Hose 2. Dust intake (hose inlet)

Connections with your work tools (Country specific)

By connecting the vacuum cleaner to any available work tools compatible with the cleaner, it works as a dust extractor for your power tools.

Select one of the front cuffs or joints (optional accessories) as most suitable for your tool model. Place the cuffs or joint, as necessary, between the front end of the cleaner hose and a dust extraction port of your tool.

► **Fig.22:** 1. Front cuffs or joint 2. Cleaner hose
3. Power tool 4. Vacuum cleaner

Installing or removing cleaner attachments

CAUTION: After installing an attachment, check if it is securely installed. If the attachment is installed imperfectly, it may come off and cause personal injury.

Attachments without lock function

Optional accessory

Insert an attachment into the suction inlet of the cleaner by pushing and hand screwing it in place.

Hand twist and pull the attachment apart from the suction inlet after use.

► **Fig.23**

Attachments with lock function

Optional accessory

NOTICE: When installing the attachment with lock function, be sure to align the release button with the hook on the attachment. If they are not aligned, the attachment will not be locked and may come off from the cleaner.

Insert an attachment into the suction inlet of the cleaner by pushing them together with a click.

To remove the attachment, pull it off while pushing the release button.

► **Fig.24:** 1. Suction inlet with lock function 2. Release button 3. Attachment with lock function

NOTE: An attachment with lock function can only be installed in the suction inlet with lock function.

► **Fig.25:** 1. Attachment with lock function 2. Suction inlet with lock function 3. Suction inlet without lock function

Adjusting lengths of slide-type extension wand

Optional accessory

A slide-type extension wand can be combined for shorter and longer lengths. It allows to clean hard-to-reach areas and comfortable positioning options.

Pull in and out the slide pipe to change wand lengths while pressing and holding the slide button.

Release the slide button to lock the slide pipe in your desired position.

► **Fig.26:** 1. Slide pipe 2. Slide button

WIRELESS ACTIVATION FUNCTION

What you can do with the wireless activation function

The wireless activation function enables clean and comfortable operation. By connecting a supported tool to the cleaner, you can run the cleaner automatically along with the switch operation of the tool.

► Fig.27

NOTICE: Be sure to refer to the instruction manual of the tool when using the cleaner with wireless activation function.

NOTICE: Do not disassemble or tamper with the wireless unit.

NOTICE: To prevent dust coming into the slot of the wireless unit, always close the lid securely during operation and storage.

NOTICE: Do not remove the wireless unit while the power is being supplied. Doing so may cause a malfunction of the wireless unit.

NOTICE: Do not press the wireless activation button too hard and/or press the button with an object with a sharp edge.

NOTE: Wireless activation needs Makita tools equipped with the wireless unit.

NOTE: Prior to the initial use of the wireless activation function with each tool, the tool registration is required. Once the registration is finished with the tool, the re-registration is not required unless it is cancelled.

NOTE: Before registration, be sure that the wireless unit is properly inserted.

NOTE: One wireless unit can register up to 10 links with other wireless units. If more than 10 other wireless units are registered to one wireless unit, the one registered earliest will be cancelled automatically.

NOTE: The position of the wireless activation button varies depending on the tool.

NOTE: The cleaner also starts by pressing the power button when the stand-by switch is set to "AUTO". However the power button will not actuate when the wireless activation function is used.

Installing the wireless unit

CAUTION: Place the cleaner on a flat and stable surface when installing the wireless unit.

NOTICE: Clean the dust and dirt on the cleaner before installing the wireless unit. Dust or dirt may cause malfunction if it comes into the slot of the wireless unit.

NOTICE: To prevent the malfunction caused by static, touch a static discharging material, such as a metallic part, before picking up the wireless unit.

NOTICE: When installing the wireless unit, always be sure that the wireless unit is inserted in the correct direction and the lid is completely closed.

1. Open the lid on the cleaner as shown in the figure.

► Fig.28: 1. Lid

2. Insert the wireless unit to the slot and then close the lid.

When inserting the wireless unit, align the projections with the recessed portions on the slot.

► Fig.29: 1. Wireless unit 2. Projection 3. Lid
4. Recessed portion

When removing the wireless unit, open the lid slowly. The hooks on the back of the lid will lift the wireless unit as you pull up the lid.

► Fig.30: 1. Wireless unit 2. Hook 3. Lid

After removing the wireless unit, keep it in the supplied case or a static-free container.

NOTICE: Always use the hooks on the back of the lid when removing the wireless unit. If the hooks do not catch the wireless unit, close the lid completely and open it slowly again.

Tool registration for the cleaner

NOTE: A Makita tool supporting the wireless activation function is required for the tool registration.

NOTE: Finish installing the wireless unit to the tool before starting the tool registration.

NOTE: During the tool registration, do not pull the switch trigger on the tool or turn on the power switch on the cleaner.

NOTE: Refer to the instruction manual of the tool, too.

If you wish to activate the cleaner along with the switch operation of the tool, finish the tool registration beforehand.

1. Install the wireless units to the cleaner and the tool, respectively.

2. Install the batteries to the cleaner and the tool.

3. Set the stand-by switch on the cleaner to "AUTO".

► Fig.31: 1. Stand-by switch

4. Press the wireless activation button on the cleaner for 3 seconds until the wireless activation lamp blinks in green. And then press the wireless activation button on the tool in the same way.

► Fig.32: 1. Wireless activation button 2. Wireless activation lamp

If the cleaner and the tool are linked successfully, the wireless activation lamps will light up in green for 2 seconds and start blinking in blue.

NOTE: The wireless activation lamps finish blinking in green after 20 seconds elapsed. Press the wireless activation button on the tool while the wireless activation lamp on the cleaner is blinking. If the wireless activation lamp does not blink in green, push the wireless activation button briefly and hold it down again.

NOTE: When performing two or more tool registration for the cleaner, finish the tool registration one by one.

Starting the wireless activation function

NOTE: Finish the tool registration for the cleaner for wireless activation.

NOTE: Always place the cleaner so that you can see the status of the wireless activation lamp.

NOTE: Refer to the instruction manual of the tool, too.

After registering a tool to the cleaner, the cleaner will automatically runs along with the switch operation of the tool.

1. Install the wireless units to the cleaner and the tool, respectively.
2. Install the batteries to the cleaner and the tool.
3. Connect the hose of the cleaner with the tool.
▶ **Fig.33**
4. Set the stand-by switch on the cleaner to "AUTO".
▶ **Fig.34:** 1. Stand-by switch
5. Push the wireless activation button on the tool briefly. The wireless activation lamp will blink in blue.
▶ **Fig.35:** 1. Wireless activation button 2. Wireless activation lamp
6. Turn on the tool. Check if the cleaner runs while the tool is operating.

CAUTION: Always check if the wireless activation function works before starting a work with the tool.

To stop the wireless activation, push the wireless activation button on the tool, or set the stand-by switch on the cleaner to "I" or "O".

NOTE: The wireless activation lamp on the tool will stop blinking in blue when there is no operation for 2 hours. In this case, set the stand-by switch on the cleaner to "AUTO" and press the wireless activation button on the tool again.

NOTE: The cleaner starts/stops with a delay. There is a time lag when the cleaner detects a switch operation of the tool.

NOTE: The transmission distance of the wireless unit may vary depending on the location and surrounding circumstances.

NOTE: When two or more tools are registered to one cleaner, the cleaner may start running even if you do not turn on the tool because other user is using the wireless activation function.

Canceling tool registration for the cleaner

Perform the following procedure when cancelling the tool registration for the cleaner.

1. Install the wireless units to the cleaner and the tool, respectively.
2. Install the batteries to the cleaner and the tool.
3. Set the stand-by switch on the cleaner to "AUTO".
▶ **Fig.36:** 1. Stand-by switch
4. Press the wireless activation button on the cleaner for 6 seconds. The wireless activation lamp blinks in green and then become red. After that, press the wireless activation button on the tool in the same way.
▶ **Fig.37:** 1. Wireless activation button 2. Wireless activation lamp

If the cancellation is performed successfully, the wireless activation lamps will light up in red for 2 seconds and start blinking in blue.

NOTE: The wireless activation lamps finish blinking in red after 20 seconds elapsed. Press the wireless activation button on the tool while the wireless activation lamp on the cleaner is blinking. If the wireless activation lamp does not blink in red, push the wireless activation button briefly and hold it down again.

Erasing all tool registrations

You can erase all tool registrations from the cleaner as follows.











- ▶ **Fig.38:** 1. Stand-by switch 2. Wireless activation button 3. Wireless activation lamp
1. Install the wireless unit to the cleaner.
 2. Install the batteries to the cleaner.
 3. Set the stand-by switch to "AUTO".
 4. Hold down the wireless activation button for about 6 seconds until the wireless activation lamp blinks in red (about twice per one second).
 5. When the wireless activation lamp starts blinking in red, release your finger from the wireless activation button. Thereafter, hold down the wireless activation button again for about 6 seconds.
 6. When the wireless activation lamp starts blinking fast (about 5 times per one second) in red, release your finger from the wireless activation button. When the wireless activation lamp lights up in red and later lights off, all tool registrations are erased.

NOTE: If the wireless activation lamp does not blink in red, press the wireless activation button briefly and try again.

Description of the wireless activation lamp status

► **Fig.39:** 1. Wireless activation button 2. Wireless activation lamp

The wireless activation lamp shows the status of the wireless activation function. Refer to the below table for the meaning of the lamp status.

Status	Wireless activation lamp			Description
	Color	 On	 Blinking	
Standby	Blue		Cleaner: continuing Tool: 2 hours	Waiting for the tool registration or the wireless activation function is available. The lamp on the cleaner blinks when the stand-by switch is set in AUTO. The lamp on the tool blinks when the wireless activation button is pushed. The lamp on the tool will automatically turn off when no operation is performed for 2 hours.
			When the tool is running.	The wireless activation of the cleaner is available and the tool is running.
Tool registration	Green		20 seconds	Ready for the tool registration. Searching the tool to be registered.
			2 seconds	The tool registration has been finished. The wireless activation lamp will start blinking in blue.
Cancelling/erasing tool registration	Red	 (slow: 2 times/sec.)	20 seconds	Ready for the cancellation of the tool registration. Searching the tool to be cancelled.
		 (fast: 5 times/sec.)	When the wireless activation button is pressed down.	Ready to erase all tool registrations.
			2 seconds	The tool registration has been cancelled/erased. The wireless activation lamp will start blinking in blue.
Others	Red		3 seconds	The power is supplied to the wireless unit and the wireless activation function is starting up.
	Off	-	-	The stand-by switch is not set to "AUTO".

Troubleshooting for wireless activation function

Before asking for repairs, conduct your own inspection first. If you find a problem that is not explained in the manual, do not attempt to dismantle the tool. Instead, ask Makita Authorized Service Centers, always using Makita replacement parts for repairs.

State of abnormality	Probable cause (malfunction)	Remedy
The wireless activation lamp does not light/blink.	The wireless unit is not installed into the cleaner and/or the tool. The wireless unit is improperly installed into the cleaner and/or the tool.	Install the wireless unit correctly.
	The terminal of the wireless unit and/or the slot is dirty.	Gently wipe off dust and dirt on the terminal of the wireless unit and clean the slot of the cleaner and/or the tool.
	The wireless activation button on the tool has not been pushed.	Push the wireless activation button on the tool briefly.
	The stand-by switch on the cleaner is not set to "AUTO".	Set the stand-by switch on the cleaner to "AUTO".
	No power supply	Supply the power to the tool and the cleaner.
Cannot finish tool registration / cancelling tool registration successfully.	The wireless unit is not installed into the cleaner and/or the tool. The wireless unit is improperly installed into the cleaner and/or the tool.	Install the wireless unit correctly.
	The terminal of the wireless unit and/or the slot is dirty.	Gently wipe off dust and dirt on the terminal of the wireless unit and clean the slot of the cleaner and/or the tool.
	The stand-by switch on the cleaner is not set to "AUTO".	Set the stand-by switch on the cleaner to "AUTO".
	No power supply	Supply the power to the tool and the cleaner.
	Incorrect operation	Push the wireless activation button briefly and perform the tool registration/cancellation procedures again.
	The tool and cleaner are away from each other (out of the transmission range).	Get the tool and the cleaner closer to each other. The maximum transmission distance is approximately 10 m however it may vary according to the circumstances.
	Before finishing the tool registration/cancellation; - the switch of the tool is turned on or; - the power button on the cleaner is turned on.	Push the wireless activation button briefly and perform the tool registration/cancellation procedures again.
	The tool registration procedures for the tool or the cleaner has not finished.	Perform the tool registration procedures for the tool and the cleaner at the same timing.
	Radio disturbance by other appliances which generate high-intensity radio waves.	Keep the tool and the cleaner away from the appliances such as Wi-Fi devices and microwave ovens.
	The cleaner does not run along with the switch operation of the tool.	The wireless unit is not installed into the cleaner and/or the tool. The wireless unit is improperly installed into the cleaner and/or the tool.
The terminal of the wireless unit and/or the slot is dirty.		Gently wipe off dust and dirt on the terminal of the wireless unit and clean the slot of the cleaner and/or the tool.
The wireless activation button on the tool has not been pushed.		Push the wireless activation button briefly and make sure that the wireless activation lamp is blinking in blue.
The stand-by switch on the cleaner is not set to "AUTO".		Set the stand-by switch on the cleaner to "AUTO".
More than 10 tools are registered to the cleaner.		Perform the tool registration again. If more than 10 tools are registered to the cleaner, the tool registered earliest will be cancelled automatically.
The cleaner erased all tool registrations.		Perform the tool registration again.
No power supply		Supply the power to the tool and the cleaner.
The tool and cleaner are away from each other (out of the transmission range).		Get the tool and the cleaner closer to each other. The maximum transmission distance is approximately 10 m however it may vary according to the circumstances.
Radio disturbance by other appliances which generate high-intensity radio waves.		Keep the tool and the cleaner away from the appliances such as Wi-Fi devices and microwave ovens.
The cleaner runs while the tool is not operating.		Other users are using the wireless activation of the cleaner with their tools.

State of abnormality	Probable cause (malfunction)	Remedy
Cannot erase all tool registrations in the cleaner.	Pressing the wireless button on the tool.	Press the wireless button on the cleaner for erasing all tool registrations.
	The stand-by switch on the cleaner is not set to "AUTO".	Set the stand-by switch on the cleaner to "AUTO".
	The wireless activation button is not held down correctly.	Hold down the wireless activation button for more than 6 seconds and then release it when the wireless activation lamp blinks in red. Hold down the wireless activation button for more than 6 seconds again until the wireless activation button rapidly blinks in red and then release the button.

MAINTENANCE

CAUTION: Always be sure that the appliance is switched off and the battery cartridges are removed before attempting to perform inspection or maintenance.

NOTICE: Never use gasoline, benzine, thinner, alcohol or the like. Discoloration, deformation or cracks may result.

To maintain product SAFETY and RELIABILITY, repairs, any other maintenance or adjustment should be performed by Makita Authorized or Factory Service Centers, always using Makita replacement parts.

Storage of accessories

Accessories and attachments not in use, such as nozzles and brushes, can be hooked and stored in the multi hook at the rear of the cleaner.

► **Fig.40:** 1. Multi hook 2. Accessories and attachments not in use

Pipes (with an optional stopper installed) can be placed into the pipe holder when not using the cleaner for a short time.

► **Fig.41:** 1. Stopper (optional accessory) 2. Pipe holder

A hose can be wrapped and stored around the housing or handle of the cleaner in large loops. Connect its both ends together to make loops and hook the loops onto the handle raised up. Alternatively, keep its root end installed in the hose inlet and hang the loops on the multi hook with the loose end tied up.

► **Fig.42**

► **Fig.43**

Cleaning of powder filter (HEPA) and prefilter

Clean out the powder filter, prefilter and damper at regular intervals since clogged filters and damper may result in poor suction performance.

Routinely wipe and shake dust off filters and damper by hand.

► **Fig.44:** 1. Prefilter

► **Fig.45:** 1. Damper 2. Powder filter (HEPA)

Occasionally wash the powder filter in water, rinse and dry thoroughly in the shade before use. Never wash filters in a washing machine.

► **Fig.46**

NOTE: Do not rub or scratch the powder filter, the prefilter and the damper with hard objects such as a brush and a paddle.

NOTE: The filters wear out in course of time. It is recommended to have some spares for them.

OPTIONAL ACCESSORIES

CAUTION: These accessories or attachments are recommended for use with your Makita tool specified in this manual. The use of any other accessories or attachments might present a risk of injury to persons. Only use accessory or attachment for its stated purpose.

If you need any assistance for more details regarding these accessories, ask your local Makita Service Center.

- Hose
- Front cuffs (22, 24, 38)
- Straight pipe
- Extension wand
- Corner nozzle
- Round brush
- Powder filter, HEPA (for dry dust)
- Damper
- Prefilter
- Nozzle assembly
- Bent pipe
- Polyethylene bag
- Paper pack
- MAKPAC adapter
- Wireless unit
- Makita genuine battery and charger

NOTE: Some items in the list may be included in the tool package as standard accessories. They may differ from country to country.

AVERTISSEMENT

- Cette machine n'est pas destinée à être utilisée par des personnes (y compris les enfants) aux facultés physiques, sensorielles ou mentales diminuées ou sans expérience ni expertise.
- Les enfants doivent être sous la surveillance d'un adulte afin de s'assurer qu'ils ne jouent pas avec l'aspirateur.
- Voir le chapitre « SPÉCIFICATIONS » pour la désignation de la batterie.
- Voir la section « Insertion ou retrait de la batterie » pour la méthode de retrait ou d'insertion de la batterie.
- Une fois la batterie arrivée en fin de vie, retirez-la de l'outil et déposez-la en lieu sûr. Respectez la réglementation locale en matière de mise au rebut des batteries.
- Lorsque vous n'utilisez pas l'outil pendant une période prolongée, la batterie doit être retirée de l'outil.
- Ne court-circuitez pas la batterie.
- Voir le chapitre « ENTRETIEN » pour des précautions détaillées pendant l'entretien à la charge de l'utilisateur.

SPÉCIFICATIONS

Modèle :	VC002GL	VC004GL
Type de filtre standard	Filtre à poudre (pour les poussières sèches)	
Volume d'air maximum (avec BL4040, un tuyau de ø38 mm x 2,5 m)	2,7 m ³ /min	
Vide (avec BL4040, un tuyau de ø38 mm x 2,5 m)	23 kPa	
Capacité de récupération	8 L	15 L
Dimensions (L x P x H)	366 mm x 334 mm x 425 mm	366 mm x 334 mm x 475 mm
Tension nominale	C.C. 36 V - 40 V max.	
Poids net	8,3 - 11,4 kg	8,6 - 11,7 kg
Degré de protection	IPX4	

- Étant donné l'évolution constante de notre programme de recherche et de développement, les spécifications contenues dans ce manuel sont sujettes à modification sans préavis.
- Les spécifications et la batterie peuvent être différentes suivant les pays.
- Le poids ne comprend pas les accessoires, mais la ou les batteries. Le poids combiné le plus léger et le plus lourd de l'appareil et de la ou des batteries est indiqué dans le tableau.
- Pour la poussière humide, le flotteur et le filtre à eau ou le filtre en tissu sont nécessaires.

Batterie et chargeur applicables

Batterie	BL4020 / BL4025 / BL4040* / BL4050F* / BL4080F* * : Batterie recommandée
Chargeur	DC40RA / DC40RB / DC40RC

- Certains chargeurs et batteries répertoriés ci-dessus peuvent ne pas être disponibles selon la région où vous résidez.

⚠ AVERTISSEMENT : N'utilisez que les batteries et les chargeurs répertoriés ci-dessus. L'utilisation d'autres batteries et chargeurs peut provoquer des blessures et/ou un incendie.

Symboles

Vous trouverez ci-dessous les symboles susceptibles d'être utilisés pour l'appareil. Veuillez à comprendre leur signification avant toute utilisation.



Lire le mode d'emploi.



Veuillez être prudent et rester attentif.



Avertissement ! Il se peut que l'aspirateur contienne des poussières dangereuses.



Ne vous tenez jamais sur l'aspirateur.



Catégorie de poussière L (légère). Un aspirateur est capable de ramasser les poussières de catégorie L. Suivez les réglementations de votre pays concernant les poussières et la santé et la sécurité au travail.



Pour les pays de l'Union européenne uniquement

En raison de la présence de composants dangereux dans l'équipement, les déchets d'équipements électriques et électroniques, les accumulateurs et les batteries peuvent avoir un impact négatif sur l'environnement et la santé humaine.

Ne jetez pas les appareils électriques et électroniques ou les batteries avec les ordures ménagères ! Conformément à la directive européenne relative aux déchets d'équipements électriques et électroniques et aux déchets d'accumulateurs et de batteries, ainsi qu'à son adaptation à la législation nationale, les déchets d'équipements électriques, les batteries et les accumulateurs doivent être collectés séparément et déposés dans un point de collecte distinct pour déchets urbains, conformément aux réglementations en matière de protection de l'environnement.

Cela est indiqué par le symbole de la poubelle à roulettes barrée sur l'équipement.

Utilisations

L'appareil est conçu pour la collecte des poussières sèches. L'appareil est prévu pour un usage commercial, par exemple, dans les hôtels, écoles, hôpitaux, usines, magasins, bureaux et agences de location.

Bruit

Niveau de bruit pondéré A typique, déterminé selon EN60335-2-69 :

Modèle VC002GL

Niveau de pression sonore (L_{pA}) : 70 dB (A) ou moins
Incertitude (K) : 2,5 dB (A)

Modèle VC004GL

Niveau de pression sonore (L_{pA}) : 70 dB (A) ou moins
Incertitude (K) : 2,5 dB (A)

Le niveau de bruit en fonctionnement peut dépasser 80 dB (A).

NOTE : La ou les valeurs d'émission de bruit déclarées ont été mesurées conformément à la méthode de test standard et peuvent être utilisées pour comparer les outils entre eux.

NOTE : La ou les valeurs d'émission de bruit déclarées peuvent aussi être utilisées pour l'évaluation préliminaire de l'exposition.

⚠️ AVERTISSEMENT : Portez un serre-tête antibruit.

⚠️ AVERTISSEMENT : L'émission de bruit lors de l'usage réel de l'outil électrique peut être différente de la ou des valeurs déclarées, suivant la façon dont l'outil est utilisé, particulièrement selon le type de pièce usinée.

⚠️ AVERTISSEMENT : Les mesures de sécurité à prendre pour protéger l'utilisateur doivent être basées sur une estimation de l'exposition dans des conditions réelles d'utilisation (en tenant compte de toutes les composantes du cycle d'utilisation, comme par exemple le moment de sa mise hors tension, lorsqu'il tourne à vide et le moment de son déclenchement).

Vibrations

Valeur totale de vibrations (somme de vecteur triaxial) déterminée selon EN60335-2-69 :

Modèle VC002GL

Émission de vibrations ($a_{h,M}$) : 2,5 m/s² ou moins
Incertitude (K) : 1,5 m/s²

Modèle VC004GL

Émission de vibrations ($a_{h,M}$) : 2,5 m/s² ou moins
Incertitude (K) : 1,5 m/s²

NOTE : La ou les valeurs de vibration totales déclarées ont été mesurées conformément à la méthode de test standard et peuvent être utilisées pour comparer les outils entre eux.

NOTE : La ou les valeurs de vibration totales déclarées peuvent aussi être utilisées pour l'évaluation préliminaire de l'exposition.

⚠️ AVERTISSEMENT : L'émission de vibrations lors de l'usage réel de l'outil électrique peut être différente de la ou des valeurs déclarées, suivant la façon dont l'outil est utilisé, particulièrement selon le type de pièce usinée.

⚠️ AVERTISSEMENT : Les mesures de sécurité à prendre pour protéger l'utilisateur doivent être basées sur une estimation de l'exposition dans des conditions réelles d'utilisation (en tenant compte de toutes les composantes du cycle d'utilisation, comme par exemple le moment de sa mise hors tension, lorsqu'il tourne à vide et le moment de son déclenchement).

Déclaration de conformité CE

Pour les pays européens uniquement

La déclaration de conformité CE est fournie en Annexe A à ce mode d'emploi.

CONSIGNES DE SÉCURITÉ

Consignes de sécurité pour aspirateur sans fil

⚠️ AVERTISSEMENT : IMPORTANT ! LIRE ATTENTIVEMENT toutes les consignes de sécurité et toutes les instructions AVANT UTILISATION. Le non-respect des avertissements et des instructions peut entraîner une électrocution, un incendie et/ou de graves blessures.

1. Avant l'utilisation, veillez à ce que l'aspirateur soit utilisé par des personnes ayant reçu des instructions adéquates quant à son utilisation.
2. Avant toute utilisation, les opérateurs doivent recevoir les informations, les instructions et la formation nécessaires à l'utilisation de la machine et sur les substances pour lesquelles elle est utilisée, notamment la méthode sûre pour retirer et jeter les matières collectées.

3. Assurez-vous toujours que les filtres sont correctement installés avant toute utilisation. N'utilisez pas l'aspirateur sans filtres en place. Remplacez immédiatement le filtre s'il est endommagé. Il est recommandé de disposer de pièces de rechange, car les filtres sont des pièces consommables.
4. **ÉVITEZ LES DÉMARRAGES INTEMPESTIFS.** Veillez à mettre l'outil hors tension lors de la mise en place de la ou des batteries.
5. N'essayez pas d'aspirer des matériaux inflammables, du matériel pyrotechnique, des cigarettes allumées, des cendres chaudes, des copeaux de métal chauds, des matériaux tranchants comme un rasoir, des aiguilles, des morceaux de verre, etc.
6. **N'UTILISEZ JAMAIS L'ASPIRATEUR À PROXIMITÉ D'ESSENCE, GAZ, PEINTURE, ADHÉSIFS OU AUTRES SUBSTANCES TRÈS EXPLOSIVES.** L'interrupteur émet des étincelles à la mise sous et hors tension. Tout comme le commutateur du moteur pendant le fonctionnement. Une dangereuse explosion peut survenir.
7. N'aspirez jamais des matériaux toxiques, cancérogènes, combustibles ou d'autres produits dangereux comme l'amiante, l'arsenic, le baryum, le béryllium, le plomb, les pesticides ou d'autres matières présentant un danger pour la santé.
8. Placez toujours l'aspirateur sur une surface plane et horizontale afin d'empêcher sa chute ou son déplacement accidentel.
9. N'utilisez jamais l'aspirateur à l'extérieur sous la pluie.
10. Pour la Finlande, cette machine ne doit pas être utilisée à l'extérieur à basse température.
11. N'utilisez pas l'aspirateur près de sources de chaleur (cuisinières, etc.).
12. Si l'air évacué est ramené dans la pièce, il est nécessaire de prévoir un taux de renouvellement d'air adéquat dans la pièce. Il est nécessaire de consulter les réglementations nationales.
13. Ne bloquez pas les fentes de l'entrée d'aspiration, de la sortie ou d'aération. Ces fentes permettent le refroidissement du moteur. Il faut éviter soigneusement de les bloquer sous peine de griller le moteur en raison d'un manque d'aération.
14. Maintenez constamment une bonne assise et un bon équilibre.
15. Ne pliez pas le tuyau, ni ne tirez ou marchez dessus.
16. Arrêtez immédiatement l'aspirateur si vous remarquez des performances médiocres ou toute autre anomalie pendant le fonctionnement.
17. **RETIREZ LA OU LES BATTERIES.** Lorsque vous n'utilisez pas l'aspirateur, avant de le réparer et lors du remplacement des accessoires.
18. Procédez au nettoyage et à l'entretien de l'aspirateur immédiatement après chaque utilisation pour le maintenir dans des conditions de fonctionnement optimales.
19. **ENTRETENEZ SOIGNEUSEMENT L'ASPIRATEUR.** L'aspirateur doit toujours être propre pour améliorer la sécurité et les performances. Suivez les instructions pour remplacer les accessoires. Les poignées doivent toujours être sèches, propres et exemptes d'huile ou de graisse.
20. **VÉRIFIEZ LES PIÈCES ENDOMMAGÉES.** Avant toute nouvelle utilisation de l'aspirateur, vérifiez soigneusement un carter de protection ou toute autre pièce endommagées pour déterminer qu'ils fonctionnent bien et remplissent leurs fonctions respectives. Vérifiez l'alignement des pièces mobiles, le blocage des pièces mobiles, les pièces cassées, l'installation et tout autre état susceptible d'affecter le fonctionnement. Un carter de protection ou toute autre pièce endommagées doivent être réparés ou remplacés correctement par un centre de service après-vente agréé sauf indication contraire de ce mode d'emploi. Confiez le remplacement des interrupteurs défectueux à un centre de service après-vente agréé. N'utilisez pas l'aspirateur s'il ne peut pas être mis sous et hors tension au moyen de l'interrupteur.
21. Pour le dépannage utilisateur, la machine doit être démontée, nettoyée et dépannée, autant que raisonnablement possible, sans mettre en danger le personnel de maintenance et d'autres personnes.
22. La machine doit être inspectée sur le plan technique par le fabricant ou une personne formée, au moins une fois par an, et cette inspection doit comprendre, entre autres, la vérification des dommages des filtres, de l'étanchéité à l'air de la machine et du bon fonctionnement du mécanisme de contrôle.
23. Lors des tâches d'entretien ou de réparation, tous les éléments contaminés ne pouvant être nettoyés de manière satisfaisante doivent être mis au rebut. Ces éléments doivent être jetés dans des sacs étanches conformément aux réglementations actuelles en matière de mise au rebut de ce type de déchets.
24. **PIÈCES DE RECHANGE.** En cas de réparation, utilisez uniquement des pièces de rechange identiques.
25. **RANGÉZ L'ASPIRATEUR APRÈS UTILISATION.** Lorsque vous n'utilisez pas l'aspirateur, rangez-le à l'intérieur.
26. Épargnez votre aspirateur. Une manipulation brutale peut entraîner la rupture de l'aspirateur le plus robuste.
27. Ne nettoyez pas l'extérieur ou l'intérieur avec du benzène, du diluant ou d'autres produits chimiques de nettoyage. Vous risqueriez de le fissurer ou de le décolorer.
28. N'utilisez pas l'aspirateur dans un endroit fermé où des vapeurs inflammables, explosives ou toxiques sont dégagées par de la peinture à base d'huile, du diluant pour peinture, de l'essence, certains produits antimites, etc., ou dans des endroits exposés à des poussières inflammables.

29. **N'utilisez pas cet outil ou tout autre sous l'emprise de drogues, de médicaments ou d'alcool.**
30. **Par mesure de sécurité, utilisez des lunettes à coques ou des lunettes de sécurité avec écrans latéraux.**
31. **Utilisez un masque anti-poussière dans des conditions de travail poussiéreuses.**
32. **Cette machine n'est pas destinée à être utilisée par des personnes (y compris les enfants) aux facultés physiques, sensorielles ou mentales diminuées ou sans expérience ni expertise.**
33. **Les enfants doivent être sous la surveillance d'un adulte afin de s'assurer qu'ils ne jouent pas avec l'aspirateur.**
34. **Ne manipulez jamais la ou les batteries et l'aspirateur avec les mains mouillées.**
35. **Redoublez de précaution lorsque vous nettoyez des escaliers.**
36. **N'utilisez pas l'aspirateur comme marchepied ou établi. La machine pourrait tomber et provoquer des blessures corporelles.**
37. **Ne ramassez pas la mousse ou les liquides savonneux. La mousse peut s'échapper de la sortie d'air, ce qui peut provoquer une électrocution et endommager l'aspirateur.**

Utilisation et entretien des outils fonctionnant sur batterie

1. **Rechargez la batterie uniquement avec le chargeur spécifié par le fabricant.** Un chargeur qui est adapté à un type spécifique de batterie peut présenter un risque d'incendie s'il est utilisé avec un autre type de batterie.
2. **Utilisez un outil électrique uniquement avec la batterie spécifiquement indiquée.** L'utilisation de toute autre batterie peut présenter un risque de blessure et d'incendie.
3. **Lorsque vous n'utilisez pas la batterie, tenez-la à l'écart des objets métalliques, comme des trombones, pièces de monnaie, clés, clous, vis ou autres petits objets métalliques, susceptibles de créer une connexion entre deux bornes.** Court-circuiter les bornes d'une batterie entre elles peut provoquer des brûlures ou un incendie.
4. **Dans des conditions d'utilisation inadéquate, il peut y avoir une fuite de l'électrolyte de la batterie. Le cas échéant, évitez tout contact avec ce liquide. En cas de contact accidentel, rincez à l'eau. Si le liquide pénètre dans les yeux, consultez par ailleurs un médecin.** Le liquide s'échappant de la batterie peut provoquer une irritation ou des brûlures.
5. **N'utilisez pas une batterie ou un outil s'ils sont endommagés ou modifiés.** Une batterie endommagée ou modifiée peut avoir un comportement imprévisible susceptible d'entraîner un incendie, une explosion ou des blessures.
6. **N'exposez pas la batterie ou l'outil au feu ou à une température excessive.** L'exposition au feu ou à une température supérieure à 130 °C peut provoquer une explosion.

7. **Respectez toutes les instructions de charge et ne chargez pas la batterie ou l'outil en dehors de la plage de température indiquée dans les instructions.** Une charge incorrecte ou à une température en dehors de la plage indiquée peut endommager la batterie et augmenter le risque d'incendie.

CONSERVEZ CES INSTRUCTIONS.

⚠️ AVERTISSEMENT : NE vous laissez PAS tromper (au fil d'une utilisation répétée) par un sentiment d'aisance et de familiarité avec le produit, en négligeant le respect rigoureux des consignes de sécurité qui accompagnent le produit en question. La MAUVAISE UTILISATION de l'outil ou l'ignorance des consignes de sécurité indiquées dans ce mode d'emploi peut entraîner de graves blessures.

Consignes de sécurité importantes pour la batterie

1. **Avant d'utiliser la batterie, lisez toutes les instructions et précautions relatives (1) au chargeur de batterie, (2) à la batterie, et (3) au produit utilisant la batterie.**
2. **Ne désassemblez pas et ne modifiez pas la batterie.** Cela pourrait entraîner un incendie, une chaleur excessive ou une explosion.
3. **Cessez immédiatement l'utilisation si le temps de fonctionnement devient excessivement court.** Il y a un risque de surchauffe, de brûlures, voire d'explosion.
4. **Si l'électrolyte pénètre dans vos yeux, rincez-les à l'eau claire et consultez immédiatement un médecin.** Il y a un risque de perte de la vue.
5. **Ne court-circuitez pas la batterie :**
 - (1) **Ne touchez les bornes avec aucun matériau conducteur.**
 - (2) **Évitez de ranger la batterie dans un conteneur avec d'autres objets métalliques, par exemple des clous, des pièces de monnaie, etc.**
 - (3) **N'exposez pas la batterie à l'eau ou à la pluie.**

Un court-circuit de la batterie peut provoquer une intensité de courant élevée, une surchauffe, parfois des brûlures et même une panne.
6. **Ne rangez ni n'utilisez l'outil et la batterie dans un endroit où la température risque d'atteindre ou de dépasser 50 °C.**
7. **Ne jetez pas la batterie au feu même si elle est sérieusement endommagée ou complètement épuisée.** La batterie peut exploser au contact du feu.
8. **Abstenez-vous de clouer, couper, écraser, jeter, laisser tomber la batterie, ou de la heurter contre un objet dur.** Cela pourrait entraîner un incendie, une chaleur excessive ou une explosion.

9. **N'utilisez pas la batterie si elle est endommagée.**
10. **Les batteries au lithium-ion contenues sont soumises aux exigences de la législation sur les marchandises dangereuses.**
Lors du transport commercial par des tierces parties ou des transitaires par exemple, des exigences spécifiques en matière d'étiquetage et d'emballage doivent être respectées.
Pour la préparation de l'article expédié, il est nécessaire de consulter un expert en matériau dangereux. Veuillez également respecter les réglementations nationales susceptibles d'être plus détaillées.
Recouvrez les contacts exposés avec du ruban adhésif ou du ruban de masquage et emballez la batterie de telle sorte qu'elle ne puisse pas bouger dans l'emballage.
11. **Lors de la mise au rebut de la batterie, retirez-la de l'outil et jetez-la en lieu sûr. Suivez les réglementations locales en matière de mise au rebut des batteries.**
12. **Utilisez les batteries uniquement avec les produits spécifiés par Makita.** L'insertion de batteries dans des produits non conformes peut provoquer un incendie, une chaleur excessive, une explosion ou une fuite de l'électrolyte.
13. **Lorsque vous n'utilisez pas l'outil pendant une période prolongée, la batterie doit être retirée de l'outil.**
14. **Pendant et après l'utilisation, la batterie peut chauffer, ce qui peut entraîner des brûlures, y compris en cas de température relativement basse. Manipulez les batteries chaudes avec précaution.**
15. **Ne touchez pas la borne de l'outil immédiatement après utilisation car elle peut être assez chaude pour provoquer des brûlures.**
16. **Évitez que des copeaux, de la poussière ou du sol adhèrent aux bornes, aux trous et aux rainures de la batterie.** Cela peut provoquer un échauffement, un incendie, une explosion ou un dysfonctionnement de l'outil ou de la batterie, ce qui peut entraîner des brûlures ou des blessures.
17. **À moins que l'outil prenne en charge un tel usage, n'utilisez pas la batterie à proximité de lignes électriques haute tension.** Cela pourrait entraîner un dysfonctionnement ou casser l'outil ou la batterie.
18. **Conservez la batterie hors de portée des enfants.**

CONSERVEZ CES INSTRUCTIONS.

⚠ ATTENTION : N'utilisez que des batteries Makita d'origine. L'utilisation de batteries de marque autre que Makita ou de batteries modifiées peut provoquer l'explosion des batteries, ce qui présente un risque d'incendie, de dommages matériels et corporels. Cela annulera également la garantie Makita pour l'outil et le chargeur Makita.

Conseils pour assurer la durée de vie optimale de la batterie

1. Chargez la batterie avant qu'elle ne soit complètement déchargée. Arrêtez toujours l'outil et rechargez la batterie quand vous remarquez que la puissance de l'outil diminue.
2. Ne rechargez jamais une batterie complètement chargée. La surcharge réduit la durée de service de la batterie.
3. Chargez la batterie à une température ambiante comprise entre 10 °C et 40 °C. Avant de charger une batterie chaude, laissez-la refroidir.
4. Lorsque vous n'utilisez pas la batterie, retirez-la de l'outil ou du chargeur.
5. Rechargez la batterie si elle est restée inutilisée pendant une période prolongée (plus de six mois).

Consignes de sécurité importantes pour le connecteur sans fil

1. Ne démontez ni ne modifiez le connecteur sans fil.
2. Conservez le connecteur sans fil hors de portée des jeunes enfants. En cas d'ingestion accidentelle, consultez immédiatement un médecin.
3. Utilisez le connecteur sans fil uniquement avec des outils Makita.
4. N'exposez pas le connecteur sans fil à la pluie ou à l'humidité.
5. N'utilisez pas le connecteur sans fil dans un endroit où la température dépasse 50 °C.
6. Ne faites pas fonctionner le connecteur sans fil dans un endroit où des appareils médicaux comme des simulateurs cardiaques sont utilisés.
7. Ne faites pas fonctionner le connecteur sans fil dans un endroit où des appareils automatiques sont utilisés. Sinon, ces appareils pourraient présenter un dysfonctionnement ou une erreur.
8. N'utilisez pas le connecteur sans fil dans un endroit à température élevée ou dans un endroit susceptible de générer de l'électricité statique ou du bruit électrique.
9. Le connecteur sans fil peut produire des champs électromagnétiques (CEM), mais ceux-ci ne sont pas dangereux pour l'utilisateur.
10. Le connecteur sans fil est un instrument de précision. Évitez de laisser tomber ou de cogner le connecteur sans fil.
11. Évitez de toucher la borne du connecteur sans fil avec les mains nues ou avec des objets métalliques.
12. Retirez toujours la batterie du produit avant d'y installer le connecteur sans fil.
13. Évitez d'ouvrir le couvercle de la fente dans un endroit où de la poussière ou de l'eau pourrait pénétrer dans la fente. Maintenez toujours propre l'entrée de la fente.

14. Insérez toujours le connecteur sans fil dans le bon sens.
15. N'appuyez pas trop fort sur le bouton d'activation sans fil du connecteur sans fil, ni n'appuyez dessus avec un objet pointu.
16. Fermez toujours le couvercle de la fente pendant le fonctionnement.
17. Ne retirez pas le connecteur sans fil de la fente alors que l'outil est sous tension. Vous risqueriez de provoquer un dysfonctionnement du connecteur sans fil.
18. Ne retirez pas l'autocollant du connecteur sans fil.
19. Ne placez pas d'autocollant sur le connecteur sans fil.
20. Ne laissez pas le connecteur sans fil dans un endroit susceptible de générer de l'électricité statique ou du bruit électrique.
21. Ne laissez pas le connecteur sans fil dans un endroit soumis à une forte chaleur, comme une voiture en plein soleil.
22. Ne laissez pas le connecteur sans fil dans un endroit poussiéreux ou sablonneux ou dans un endroit susceptible de générer des gaz corrosifs.
23. De la condensation peut se former sur le connecteur sans fil en cas de brusque changement de température. N'utilisez pas le connecteur sans fil tant que la condensation n'a pas complètement séché.
24. Pour nettoyer le connecteur sans fil, essuyez-le délicatement avec un chiffon doux et sec. N'utilisez pas de benzine, diluant, graisse conductrice ou autre.
25. Rangez le connecteur sans fil en le conservant dans l'étui fourni ou dans un récipient anti-statique.
26. N'insérez pas d'autres dispositifs que le connecteur sans fil Makita dans la fente sur l'outil.
27. N'utilisez pas l'outil si le couvercle de la fente est endommagé. L'eau, la poussière ou la saleté pourraient pénétrer dans la fente provoquant un dysfonctionnement.
28. Ne tirez, ni ne tordez plus que nécessaire le couvercle de la fente. Remettez le couvercle en place s'il se détache de l'outil.
29. Remplacez le couvercle de la fente si vous le perdez ou l'endommagez.

CONSERVEZ CES INSTRUCTIONS.

DESCRIPTION DES PIÈCES

- Fig.1: 1. Unité de la tête 2. Filtre à poudre (HEPA)
3. Amortisseur 4. Préfiltre 5. Réservoir

DESCRIPTION DU FONCTIONNEMENT

ATTENTION : Assurez-vous toujours que l'appareil est hors tension et que ses batteries sont retirées avant de l'ajuster ou de vérifier son fonctionnement.

Insertion ou retrait de la batterie

ATTENTION : Éteignez toujours l'appareil avant de mettre en place ou de retirer les batteries.

ATTENTION : Tenez fermement l'aspirateur et les batteries lors de la mise en place ou du retrait des batteries. Autrement, ils peuvent vous glisser des mains et endommager l'aspirateur et les batteries ou vous blesser.

ATTENTION : Veillez à ne pas vous pincer les doigts lors de l'ouverture ou de la fermeture du couvercle de batterie. Vous risqueriez autrement de vous blesser.

L'aspirateur a deux emplacements pour batterie. Avec deux batteries identiques en parallèle, vous pouvez prolonger votre autonomie d'une ou plusieurs utilisations sans devoir vous arrêter pour recharger les batteries. L'aspirateur fonctionne également avec une seule batterie, ce qui vous permet de choisir entre deux batteries ou une seule batterie selon vos besoins.

- Fig.2: 1. Emplacement pour batterie gauche
2. Emplacement pour batterie droit

Avec doubles batteries

L'entraînement continu avec deux batteries permet une autonomie plus longue et un nettoyage plus efficace. Lorsque la première batterie est déchargée, l'aspirateur change automatiquement de source d'alimentation, pour continuer à fonctionner avec la deuxième batterie.

NOTE : L'emplacement pour batterie gauche (lorsque vous êtes face à l'avant de l'aspirateur) a priorité sur l'emplacement pour batterie droit. L'emplacement pour batterie droit sert uniquement de source d'alimentation, en l'absence de batterie dans l'emplacement pour batterie gauche ou lorsque la batterie sur l'emplacement pour batterie gauche est déchargée.

NOTE : Vous pouvez retirer la batterie de l'emplacement pour batterie gauche et la recharger une fois que l'aspirateur a changé de source d'alimentation de l'emplacement pour batterie gauche à l'emplacement pour batterie droit sans cesser de fonctionner. Pour redonner la priorité à l'emplacement pour batterie gauche après avoir installé une batterie rechargée, redémarrez l'aspirateur.

Avec une seule batterie

Une seule batterie est requise comme source d'alimentation sur l'emplacement pour batterie gauche ou droit. L'aspirateur détermine automatiquement quel emplacement pour batterie est disponible selon les conditions de fonctionnement.

Installation et désinstallation

Pour mettre les batteries en place, libérez d'abord le verrou, puis ouvrez le couvercle de batterie. Insérez ensuite les batteries.

► **Fig.3:** 1. Verrou 2. Couvercle de batterie

Alignez les languettes sur les batteries avec les rainures sur le compartiment de batterie et insérez-les en place. Insérez-les à fond jusqu'à ce qu'un léger dé clic se fasse entendre. Verrouillez ensuite le couvercle de batterie.

► **Fig.4:** 1. Batterie 2. Bouton

Pour retirer les batteries, faites-les glisser hors du compartiment de batterie tout en maintenant enfoncés les boutons devant les batteries.

⚠ ATTENTION : Insérez toujours complètement la batterie. Sinon, elle pourrait tomber accidentellement de l'appareil au risque de vous blesser ou de blesser quelqu'un se trouvant à proximité.

⚠ ATTENTION : N'insérez pas la batterie de force. Si elle ne glisse pas facilement, c'est que vous ne l'insérez pas correctement.

NOTE : Lorsque l'aspirateur change de source d'alimentation de la première batterie à la seconde, il peut s'avérer nécessaire d'interrompre provisoirement le fonctionnement, ce qui entraîne une légère perte d'aspiration. Veuillez noter qu'il ne s'agit pas d'un dysfonctionnement et que l'aspirateur se rétablit et recommence à fonctionner immédiatement après la pause.

Indication de la charge restante de la batterie

Appuyez sur le bouton de vérification sur la batterie pour indiquer la charge restante de la batterie. Les témoins s'allument pendant quelques secondes.

► **Fig.5:** 1. Témoins 2. Bouton de vérification

Témoins			Charge restante
Allumé	Éteint	Cliquant	
■	□	◐	75 % à 100 %
■	■	□	50 % à 75 %
■	■	□	25 % à 50 %
■	□	□	0 % à 25 %
◐	□	□	Chargez la batterie.
■	■	□	Anomalie possible de la batterie.
□	□	■	

NOTE : Selon les conditions d'utilisation et la température ambiante, l'indication peut être légèrement différente de la capacité réelle.

NOTE : Le premier témoin (complètement à gauche) cliquera pendant le fonctionnement du système de protection de la batterie.

Témoins de batterie sur le panneau de commande

La capacité restante de la batterie peut être lue à tout moment sur le panneau de commande. Appuyez sur le bouton de vérification. Les indicateurs gauche et droit indiquent les niveaux de charge de batterie en conséquence.

► **Fig.6:** 1. Témoins de batterie 2. Bouton de vérification

► **Fig.7**

Statut du témoin de la batterie			Charge restante de la batterie
Allumé	Éteint	Cliquant	
■	□	◐	50 % à 100 %
■	■	□	20 % à 50 %
■	□	□	0 % à 20 %
◐	□	□	Chargez la batterie
□	□	□	Batterie non insérée

NOTE : Les témoins de batterie sont également activés lorsque l'aspirateur commence à fonctionner ou change de source d'alimentation en passant de l'une à l'autre.

Système de protection de l'appareil/la batterie

L'appareil est équipé d'un système de protection de l'appareil/la batterie. Ce système met automatiquement hors tension le moteur pour accroître l'autonomie de l'appareil et de la batterie. Si l'appareil ou la batterie se trouve dans l'une des situations suivantes, l'appareil cesse automatiquement de fonctionner :

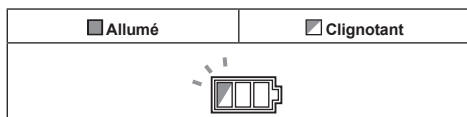
Protection contre la surcharge

Lorsque l'appareil/la batterie est utilisé(e) d'une manière provoquant un appel de courant anormalement élevé, il s'arrête automatiquement. Dans ce cas, éteignez l'appareil et arrêtez la tâche ayant provoqué la surcharge de l'appareil. Puis rallumez l'appareil pour reprendre la tâche.

Protection contre la surchauffe

■ Allumé	◐ Cliquant
■	◐

En cas de surchauffe de l'appareil, celui-ci s'arrête automatiquement et les deux témoins de batterie gauche et droit cliquent. Dans ce cas, laissez l'appareil refroidir avant de rallumer l'appareil.



En cas de surchauffe de la batterie, l'appareil s'arrête automatiquement et l'un des témoins de surchauffe de la batterie clignote. Dans ce cas, laissez la batterie refroidir avant de rallumer l'appareil.

Protection contre la décharge totale de la batterie

Lorsque la capacité de la batterie devient faible, l'appareil s'arrête automatiquement. Si l'appareil ne fonctionne pas en utilisant l'interrupteur, retirez les batteries de l'appareil et rechargez-les.

Protections contre d'autres causes

Le système de protection est également conçu pour d'autres causes qui pourraient endommager l'appareil et lui permet de s'arrêter automatiquement. Suivez toutes les étapes ci-dessous pour éliminer les causes, lorsque l'appareil a été arrêté provisoirement ou a cessé de fonctionner.

1. Éteignez l'appareil, puis rallumez-le pour le redémarrer.
2. Chargez la ou les batteries ou remplacez-les par des batteries rechargées.
3. Laissez l'appareil et la ou les batteries refroidir.

En l'absence d'amélioration après avoir rétabli le système de protection, contactez votre centre de service Makita local.

Fonctionnement de la gâchette

Mise sous tension de l'aspirateur

1. Tournez le bouton de veille sur la position « I » (marche) ou « AUTO » (marche) pour que l'aspirateur soit prêt en mode de veille.
2. Appuyez sur le bouton d'alimentation. Pour que l'aspirateur revienne en mode de veille, appuyez à nouveau sur le bouton d'alimentation.

Mise hors tension de l'aspirateur

Effectuez l'une des étapes suivantes.

- Appuyez sur le bouton d'alimentation pour remettre l'aspirateur en mode de veille, puis tournez le bouton de veille sur la position « O » (arrêt).
- Tournez le bouton de veille sur la position « O » (arrêt).

Réglage de la puissance d'aspiration

La puissance d'aspiration peut être réglée en fonction de vos besoins.

- Tournez le bouton de réglage de la puissance d'aspiration vers la gauche pour réduire la puissance d'aspiration.
- Tournez le bouton de réglage de la puissance d'aspiration vers la droite pour augmenter la puissance d'aspiration.

► **Fig.8:** 1. Bouton de veille 2. Bouton d'alimentation 3. Bouton de réglage de la puissance d'aspiration

Blocage et déblocage des roulettes

Les roulettes arrière peuvent être bloquées avec des freins pour aider l'aspirateur à rester immobile.

Abaissez manuellement le frein de blocage pour bloquer la roulette, puis soulevez-le pour la libérer.

► **Fig.9:** 1. Roulette 2. Frein de blocage 3. Position LIBRE 4. Position BLOQUÉE

NOTE : Lorsque vous déplacez l'aspirateur, assurez-vous que la roulette est débloquée. Si vous déplacez l'aspirateur avec la roulette dans une position bloquée, vous risquez d'endommager la roulette.

Poignée de transport

ATTENTION : Soulevez et transportez l'appareil avec précaution. Le non-respect de cette consigne peut entraîner des blessures corporelles ou des dommages à l'appareil.

Transportez l'aspirateur en le tenant par la poignée située sur l'unité de la tête. La poignée est rétractable sur l'unité de la tête lorsqu'elle n'est pas utilisée.

► **Fig.10**

ASSEMBLAGE

ATTENTION : Vérifiez toujours que l'appareil est hors tension et que les batteries sont retirées avant toute intervention dessus.

ATTENTION : Portez toujours un masque anti-poussière pendant l'assemblage ou l'entretien.

Mise en place du filtre à poudre (HEPA) et du préfiltre (pour les poussières sèches)

ATTENTION : Ne ramassez jamais d'eau, d'autres liquides ou de poussières humides lorsque vous utilisez le filtre à poudre. Le filtre à poudre pourrait autrement se rompre.

Utilisation du filtre à poudre :

1. Placez le préfiltre dans le réservoir en alignant les repères d'emplacement de montage sur le préfiltre et le réservoir.
2. Montez l'amortisseur dans le préfiltre, puis placez le filtre à poudre sur l'amortisseur en alignant les repères d'emplacement de montage sur le filtre à poudre et le préfiltre.

3. Montez l'unité de la tête sur le réservoir et fixez-les avec les loquets de verrouillage.

► **Fig.11:** 1. Unité de la tête 2. Filtre à poudre (HEPA) 3. Amortisseur 4. Préfiltre 5. Réservoir 6. Repère d'emplacement de montage

REMARQUE : Avant d'utiliser le filtre à poudre, assurez-vous que le préfiltre et l'amortisseur sont toujours utilisés ensemble. Il est interdit d'installer uniquement le filtre à poudre.

Installation d'un sac papier

Accessoire en option

AVERTISSEMENT : Avant d'utiliser un sac papier, assurez-vous que le préfiltre est utilisé avec. Si vous n'utilisez pas également le préfiltre, un dégagement de chaleur et un bruit anormaux peuvent se produire et provoquer un incendie.

REMARQUE : Ne ramassez jamais d'eau, d'autres liquides ou des poussières humides lorsque vous utilisez un sac papier. En ramassant ces matières, vous risqueriez de rompre le sac papier.

REMARQUE : Avant d'utiliser un sac papier, assurez-vous que le filtre à poudre, l'amortisseur et le préfiltre sont toujours utilisés ensemble.

1. Dépliez un sac papier.
 2. Alignez l'ouverture du sac papier sur l'entrée de la poussière du réservoir.
 3. Installez le sac papier dans le réservoir avec son ouverture en carton accrochée sur le support du sac papier.
- Fig.12: 1. Sac papier 2. Ouverture en carton 3. Support du sac papier 4. Entrée de la poussière

Installation d'un sac en polyéthylène

Avec un sac en polyéthylène installé dans le réservoir, vous pouvez facilement vider le réservoir sans vous salir les mains.

Placez un sac en polyéthylène sur le réservoir et glissez un côté du bord supérieur du sac à son extrémité ouverte entre la plaque du support et la paroi avant du réservoir.

- Fig.13: 1. Plaque du support 2. Paroi avant du réservoir 3. Sac en polyéthylène

Déployez les autres bords supérieurs du sac vers l'extérieur sur les bords supérieurs du réservoir. Placez le préfiltre sur le sac en polyéthylène pour bien fixer l'ouverture du sac.

- Fig.14: 1. Préfiltre

NOTE : Un sac en polyéthylène en vente sur le marché peut être utilisé. Son épaisseur doit être d'au moins 0,04 mm.

NOTE : Étant donné qu'un excès de poussière déchirera facilement le sac, ne ramassez pas la poussière à plus de la moitié de la capacité du sac.

Comment vider le réservoir avec le sac en polyéthylène

AVERTISSEMENT : Assurez-vous toujours que l'aspirateur est hors tension et que les batteries sont retirées avant de vider le réservoir. Vous pourriez autrement vous électrocuter et gravement vous blesser.

REMARQUE : N'exercez pas une force importante sur le réservoir. Vous pourriez déformer et endommager les pièces.

REMARQUE : Videz le réservoir au moins une fois par jour (toutefois cela dépend du volume de poussière ramassée dans le réservoir). Sinon, la puissance d'aspiration diminuera et le moteur risque de casser.

REMARQUE : Ne tenez pas les crochets ou les loquets lorsque vous videz le réservoir. Si vous saisissez les crochets ou les loquets, vous risquez de les casser.

Libérez les loquets de verrouillage et soulevez l'unité de la tête hors du réservoir.

Secouez le préfiltre pour éliminer la poussière avant de soulever le filtre hors du réservoir.

Retirez ensuite le sac en polyéthylène du réservoir, en fermant manuellement l'ouverture du sac.

- Fig.15: 1. Sac en polyéthylène 2. Réservoir

NOTE : Sortez le sac en polyéthylène du réservoir avec précaution pour éviter qu'il ne soit rayé et déchiré par les bords à l'intérieur du réservoir.

NOTE : Videz le sac en polyéthylène avant qu'il ne soit plein. Trop de poussière dans le réservoir peut déchirer le sac en polyéthylène.

Installation du crochet multiple

Utilisez le crochet multiple pour maintenir en place un tuyau, des accessoires et des fixations qui ne sont pas utilisés. Vous pouvez les retirer rapidement selon vos préférences.

- Fig.16

Placez le crochet multiple sur le socle de montage à l'arrière de l'aspirateur en plaçant les rails sur le crochet multiple le long des rainures du socle de montage.

- Fig.17: 1. Crochet multiple 2. Socle de montage

Installation de l'adaptateur MAKPAC

Accessoire en option

Les boîtiers de rangement MAKPAC connectables et empilables peuvent être installés sur le dessus de l'aspirateur avec un adaptateur en option. Les boîtiers sont disponibles en plusieurs tailles et styles pour s'adapter à vos préférences.

Placez le crochet du socle de montage sur la poignée de l'aspirateur avec sa surface de montage orientée vers le haut lorsque la poignée est repliée en position fermée.

- Fig.18: 1. Crochet du socle de montage 2. Surface de montage 3. Poignée

Montez l'adaptateur MAKPAC sur le crochet du socle de montage et fixez-les ensemble avec les quatre vis fournies.

- Fig.19: 1. Adaptateur MAKPAC 2. Crochet du socle de montage 3. Vis

Soulevez la barre de poussée et serrez la molette pour préparer l'installation des boîtiers MAKPAC sur l'aspirateur.

- Fig.20: 1. Barre de poussée 2. Molette

NOTE : Pour en savoir plus sur l'installation des boîtiers MAKPAC, reportez-vous aux instructions accompagnant l'adaptateur MAKPAC et les boîtiers.

Installation du tuyau

REMARQUE : Ne pliez jamais de force le tuyau, ni ne le piétinez. Ne déplacez jamais l'aspirateur en tirant sur le tuyau. Si vous forcez sur le tuyau, le piétinez ou tirez dessus, vous risquez de le rompre ou de le déformer.

REMARQUE : Lorsque vous ramassez des déchets de grande taille comme des débris de rabot, des poussières de béton ou autres déchets similaires de grande taille, utilisez un tuyau ayant un diamètre interne de 38 mm (accessoire en option). Si vous utilisez le tuyau ayant un diamètre interne de 28 mm (accessoire en option), vous risquez de boucher et endommager le tuyau.

Raccordement à l'aspirateur

Insérez l'extrémité du tuyau dans l'entrée de la poussière (entrée du tuyau) de l'aspirateur, puis tournez-la dans le sens des aiguilles d'une montre jusqu'à ce qu'elle se verrouille en place.

► Fig.21: 1. Tuyau 2. Entrée de la poussière (entrée du tuyau)

Raccordements avec vos outils de travail (Propre au pays)

En connectant l'aspirateur à tous les outils de travail compatibles avec l'aspirateur, il fonctionne comme un extracteur de poussière pour vos outils électriques.

Sélectionnez l'un des manchons avant ou des joints (accessoires en option) le mieux adapté à votre modèle d'outil. Placez les manchons ou le joint, au besoin, entre l'extrémité avant du tuyau de l'aspirateur et un orifice d'extraction de la poussière de votre outil.

► Fig.22: 1. Manchons avant ou joint 2. Tuyau de l'aspirateur 3. Outil électrique 4. Aspirateur

Pose ou dépose des accessoires de l'aspirateur

ATTENTION : Après avoir installé un accessoire, assurez-vous qu'il est solidement installé. Si l'accessoire est mal installé, il risque de se déloger et de provoquer des blessures.

Lorsque vous utilisez un accessoire sans fonction de blocage

Accessoire en option

Insérez un accessoire dans l'entrée d'aspiration de l'aspirateur en le poussant et en le vissant en place à la main. Faites tourner l'accessoire à la main et retirez-le de l'entrée d'aspiration après utilisation.

► Fig.23

Accessoires avec fonction de blocage

Accessoire en option

REMARQUE : Lorsque vous installez un accessoire avec fonction de blocage, veillez à aligner le bouton de dégagement avec le crochet sur l'accessoire. S'ils ne sont pas alignés, l'accessoire ne se verrouillera pas et pourra se détacher de l'aspirateur.

Insérez un accessoire dans l'entrée d'aspiration de l'aspirateur en les poussant ensemble jusqu'au déclic. Pour retirer l'accessoire, tirez-le tout en appuyant sur le bouton de dégagement.

► Fig.24: 1. Entrée d'aspiration avec fonction de blocage 2. Bouton de dégagement 3. Accessoire avec fonction de blocage

NOTE : Un accessoire avec fonction de blocage ne peut être installé que dans l'entrée d'aspiration avec fonction de blocage.

► Fig.25: 1. Accessoire avec fonction de blocage 2. Entrée d'aspiration avec fonction de blocage 3. Entrée d'aspiration sans fonction de blocage

Réglage des longueurs du tube prolongateur de type coulissant

Accessoire en option

Un tube prolongateur de type coulissant peut être combiné pour des longueurs plus courtes et plus longues. Il permet de nettoyer les zones difficiles d'accès et offre des options de positionnement confortables.

Tirez d'avant en arrière le tube coulissant pour changer la longueur de la baguette tout en maintenant enfoncé le bouton coulissant.

Relâchez le bouton coulissant pour verrouiller le tube coulissant dans la position souhaitée.

► Fig.26: 1. Tube coulissant 2. Bouton coulissant

FONCTION D'ACTIVATION SANS FIL

À quoi sert la fonction d'activation sans fil

La fonction d'activation sans fil offre un fonctionnement propre et confortable. En raccordant un outil compatible à l'aspirateur, vous pouvez déclencher automatiquement l'aspirateur en utilisant l'interrupteur de l'outil.

► Fig.27

REMARQUE : Consultez impérativement le mode d'emploi de l'outil lorsque vous utilisez l'aspirateur avec la fonction d'activation sans fil.

REMARQUE : Ne démontez ni ne modifiez le connecteur sans fil.

REMARQUE : Pour empêcher la poussière d'entrer dans la fente du connecteur sans fil, fermez toujours solidement le couvercle pendant le fonctionnement et le rangement.

REMARQUE : Ne retirez pas le connecteur sans fil alors que l'aspirateur est sous tension. Vous risqueriez de provoquer un dysfonctionnement du connecteur sans fil.

REMARQUE : N'appuyez pas trop fort sur le bouton d'activation sans fil, ni n'appuyez dessus avec un objet pointu.

NOTE : L'activation sans fil nécessite des outils Makita pourvus du connecteur sans fil.

NOTE : Avant la première utilisation de la fonction d'activation sans fil avec chaque outil, il est nécessaire de procéder à l'enregistrement de l'outil. Une fois l'enregistrement de l'outil terminé, il n'est pas nécessaire de le ré-enregistrer sauf en cas d'annulation.

NOTE : Avant l'enregistrement, assurez-vous que le connecteur sans fil est correctement inséré.

NOTE : Un connecteur sans fil peut enregistrer jusqu'à 10 liens avec d'autres connecteurs sans fil. Si plus de 10 autres connecteurs sans fil sont enregistrés sur un connecteur sans fil, celui enregistré en premier sera automatiquement annulé.

NOTE : L'emplacement du bouton d'activation sans fil dépend de l'outil.

NOTE : L'aspirateur démarre également en appuyant sur le bouton d'alimentation lorsque le bouton de veille est placé sur « AUTO ».

Toutefois, le bouton d'alimentation ne fonctionnera pas pendant que la fonction d'activation sans fil est utilisée.

Installation du connecteur sans fil

⚠ ATTENTION : Placez l'aspirateur sur une surface plane et stable pour y installer le connecteur sans fil.

REMARQUE : Retirez la poussière et la saleté sur l'aspirateur avant d'installer le connecteur sans fil. La poussière ou la saleté peuvent provoquer des dysfonctionnements si elles pénètrent dans la fente sur le connecteur sans fil.

REMARQUE : Pour éviter un dysfonctionnement provoqué par l'électricité statique, touchez un matériau conducteur comme une pièce métallique, avant de prendre dans vos mains le connecteur sans fil.

REMARQUE : Lorsque vous installez le connecteur sans fil, veillez toujours à l'insérer dans le bon sens et assurez-vous que le couvercle est complètement fermé.

1. Ouvrez le couvercle sur l'aspirateur comme illustré sur la figure.

► **Fig.28**: 1. Couvercle

2. Insérez le connecteur sans fil dans la fente, puis refermez le couvercle.

Lors de l'insertion du connecteur sans fil, alignez les parties saillantes avec les parties creuses sur la fente.

► **Fig.29**: 1. Connecteur sans fil 2. Partie saillante 3. Couvercle 4. Partie creuse

Pour retirer le connecteur sans fil, ouvrez lentement le couvercle. Les crochets au dos du couvercle soulèveront le connecteur sans fil à mesure que vous tirez le couvercle vers le haut.

► **Fig.30**: 1. Connecteur sans fil 2. Crochet 3. Couvercle

Après avoir retiré le connecteur sans fil, gardez-le dans l'étui fourni ou dans un récipient anti-statique.

REMARQUE : Utilisez toujours les crochets au dos du couvercle lorsque vous retirez le connecteur sans fil. Si les crochets ne s'attachent pas au connecteur sans fil, fermez complètement le couvercle, puis rouvrez-le lentement.

Enregistrement de l'outil pour l'aspirateur

NOTE : Un outil Makita compatible avec la fonction d'activation sans fil est nécessaire pour l'enregistrement de l'outil.

NOTE : Terminez la mise en place du connecteur sans fil sur l'outil avant de commencer l'enregistrement de l'outil.

NOTE : Pendant l'enregistrement de l'outil, n'enclenchez pas la gâchette sur l'outil, ni ne mettez sous tension l'aspirateur.

NOTE : Consultez aussi le mode d'emploi de l'outil.

Si vous souhaitez activer l'aspirateur en utilisant l'interrupteur de l'outil, terminez d'abord l'enregistrement de l'outil.

1. Installez les connecteurs sans fil sur l'aspirateur et l'outil, respectivement.

2. Installez les batteries dans l'aspirateur et l'outil.

3. Placez le bouton de veille de l'aspirateur sur « AUTO ».

► **Fig.31**: 1. Bouton de veille

4. Appuyez sur le bouton d'activation sans fil de l'aspirateur pendant 3 secondes jusqu'à ce que le témoin d'activation sans fil clignote en vert. Puis appuyez sur le bouton d'activation sans fil de l'outil de la même façon.

► **Fig.32**: 1. Bouton d'activation sans fil 2. Témoin d'activation sans fil

Si la liaison entre l'aspirateur et l'outil est réussie, les témoins d'activation sans fil s'allumeront en vert pendant 2 secondes et se mettront à clignoter en bleu.

NOTE : Les témoins d'activation sans fil cessent de clignoter en vert au bout de 20 secondes. Appuyez sur le bouton d'activation sans fil de l'outil pendant que le témoin d'activation sans fil de l'aspirateur clignote. Si le témoin d'activation sans fil ne clignote pas en vert, appuyez brièvement sur le bouton d'activation sans fil et maintenez-le à nouveau enfoncé.

NOTE : Si vous effectuez plus de deux enregistrements d'outils pour l'aspirateur, terminez-les l'un après l'autre.

Démarrage de la fonction d'activation sans fil

NOTE : Terminez l'enregistrement de l'outil pour l'aspirateur pour l'activation sans fil.

NOTE : Positionnez toujours l'aspirateur de sorte à voir le statut du témoin d'activation sans fil.

NOTE : Consultez aussi le mode d'emploi de l'outil.

Après avoir enregistré un outil sur l'aspirateur, ce dernier se déclenchera automatiquement en utilisant l'interrupteur de l'outil.

1. Installez les connecteurs sans fil sur l'aspirateur et l'outil, respectivement.

2. Installez les batteries dans l'aspirateur et l'outil.

3. Raccordez le tuyau de l'aspirateur à l'outil.

► **Fig.33**

4. Placez le bouton de veille de l'aspirateur sur « AUTO ».

► **Fig.34**: 1. Bouton de veille

5. Appuyez brièvement sur le bouton d'activation sans fil sur l'outil. Le témoin d'activation sans fil clignote en bleu.

► **Fig.35**: 1. Bouton d'activation sans fil 2. Témoin d'activation sans fil

6. Mettez l'outil sous tension. Vérifiez que l'aspirateur fonctionne pendant le fonctionnement de l'outil.

⚠ ATTENTION : Vérifiez toujours si la fonction d'activation sans fil fonctionne avant de commencer une tâche avec l'outil.

Pour arrêter l'activation sans fil, poussez le bouton d'activation sans fil sur l'outil ou placez le bouton de veille sur l'aspirateur sur « I » ou « O ».

NOTE : Le témoin d'activation sans fil de l'outil cessera de clignoter en bleu en l'absence d'opérations pendant 2 heures. Dans ce cas, placez le bouton de veille de l'aspirateur sur « AUTO » et appuyez à nouveau sur le bouton d'activation sans fil de l'outil.

NOTE : L'aspirateur démarre/s'arrête avec un léger retard. Il y a un décalage lorsque l'aspirateur détecte l'utilisation de l'interrupteur de l'outil.

NOTE : La distance de transmission du connecteur sans fil peut varier selon l'emplacement et les conditions environnantes.

NOTE : Si plus de deux outils sont enregistrés sur un aspirateur, ce dernier peut se mettre en marche sans que vous mettiez sous tension l'outil, car un autre utilisateur emploie la fonction d'activation sans fil.

Annulation de l'enregistrement de l'outil pour l'aspirateur

Procédez comme indiqué ci-après pour annuler l'enregistrement de l'outil pour l'aspirateur.

1. Installez les connecteurs sans fil sur l'aspirateur et l'outil, respectivement.

2. Installez les batteries dans l'aspirateur et l'outil.

3. Placez le bouton de veille de l'aspirateur sur « AUTO ».

► **Fig.36**: 1. Bouton de veille

4. Appuyez sur le bouton d'activation sans fil de l'aspirateur pendant 6 secondes. Le témoin d'activation sans fil clignote en vert, puis devient rouge. Après cela, appuyez sur le bouton d'activation sans fil de l'outil de la même façon.

► **Fig.37**: 1. Bouton d'activation sans fil 2. Témoin d'activation sans fil

Si l'annulation est réussie, les témoins d'activation sans fil s'allumeront en rouge pendant 2 secondes et se mettront à clignoter en bleu.

NOTE : Les témoins d'activation sans fil arrêtent de clignoter en rouge au bout de 20 secondes. Appuyez sur le bouton d'activation sans fil de l'outil pendant que le témoin d'activation sans fil de l'aspirateur clignote. Si le témoin d'activation sans fil ne clignote pas en rouge, appuyez brièvement sur le bouton d'activation sans fil et maintenez-le à nouveau enfoncé.

Effacement de tous les enregistrements d'outils

Vous pouvez effacer tous les enregistrements d'outils de l'aspirateur comme suit.

► **Fig.38**: 1. Bouton de veille 2. Bouton d'activation sans fil 3. Témoin d'activation sans fil

1. Installez le connecteur sans fil sur l'aspirateur.

2. Installez les batteries dans l'aspirateur.

3. Placez le bouton de veille sur « AUTO ».

4. Maintenez enfoncé le bouton d'activation sans fil pendant 6 secondes environ jusqu'à ce que le témoin d'activation sans fil clignote en rouge (environ deux fois par seconde).

5. Lorsque le témoin d'activation sans fil se met à clignoter en rouge, relâchez votre doigt du bouton d'activation sans fil. Ensuite, maintenez à nouveau enfoncé le bouton d'activation sans fil pendant 6 secondes environ.











6. Lorsque le témoin d'activation sans fil se met à clignoter rapidement en rouge (environ 5 fois par seconde), relâchez votre doigt du bouton d'activation sans fil. Lorsque le témoin d'activation sans fil s'allume en rouge, puis s'éteint, tous les enregistrements d'outils sont effacés.

NOTE : Si le témoin d'activation sans fil ne clignote pas en rouge, appuyez brièvement sur le bouton d'activation sans fil et réessayez.

Description du statut du témoin d'activation sans fil

► **Fig.39:** 1. Bouton d'activation sans fil 2. Témoin d'activation sans fil

Le témoin d'activation sans fil indique le statut de la fonction d'activation sans fil. Consultez le tableau ci-dessous pour la signification du statut du témoin.

Statut	Témoin d'activation sans fil			Description
	Couleur	 Allumé	 Clignotant	
Veille	Bleu		Aspirateur : continu Outil : 2 heures	En attente de la disponibilité de l'enregistrement de l'outil ou de la fonction d'activation sans fil. Le témoin sur l'aspirateur clignote lorsque le bouton de veille est placé sur AUTO. Le témoin sur l'outil clignote lorsque le bouton d'activation sans fil est enfoncé. Le témoin sur l'outil s'éteint automatiquement en l'absence d'opérations pendant 2 heures.
			Pendant le fonctionnement de l'outil.	L'activation sans fil de l'aspirateur est disponible et l'outil fonctionne.
Enregistrement de l'outil	Vert		20 secondes	Prêt pour l'enregistrement de l'outil. Recherche en cours de l'outil à enregistrer.
			2 secondes	L'enregistrement de l'outil est terminé. Le témoin d'activation sans fil se met à clignoter en bleu.
Annulation/effacement de l'enregistrement de l'outil	Rouge	 (lent : 2 fois/seconde)	20 secondes	Prêt pour l'annulation de l'enregistrement de l'outil. Recherche en cours de l'outil à annuler.
		 (rapide : 5 fois/seconde)	Lorsque le bouton d'activation sans fil est enfoncé.	Prêt à effacer tous les enregistrements d'outils.
			2 secondes	L'enregistrement de l'outil a été annulé/effacé. Le témoin d'activation sans fil se met à clignoter en bleu.
Autres	Rouge		3 secondes	Le connecteur sans fil est alimenté en électricité et la fonction d'activation sans fil démarre.
	Éteint	-	-	Le bouton de veille n'est pas placé sur « AUTO ».

Guide de dépannage de la fonction d'activation sans fil

Avant de faire une demande de réparation, effectuez d'abord vous-même une inspection. Si vous rencontrez un problème non documenté dans le mode d'emploi, n'essayez pas de démonter l'outil. Demandez plutôt à un centre de service après-vente Makita agréé d'effectuer la réparation au moyen de pièces de rechange Makita.

État d'anomalie	Cause probable (dysfonctionnement)	Solution
Le témoin d'activation sans fil ne s'allume pas ou ne clignote pas.	Le connecteur sans fil n'est pas installé sur l'aspirateur et/ou l'outil. Le connecteur sans fil est mal installé sur l'aspirateur et/ou l'outil.	Installez correctement le connecteur sans fil.
	La borne du connecteur sans fil et/ou la fente sont sales.	Essuyez délicatement la poussière et la saleté sur la borne du connecteur sans fil et nettoyez la fente de l'aspirateur et/ou de l'outil.
	Le bouton d'activation sans fil de l'outil n'a pas été enfoncé.	Appuyez brièvement sur le bouton d'activation sans fil sur l'outil.
	Le bouton de veille de l'aspirateur n'est pas placé sur « AUTO ».	Placez le bouton de veille de l'aspirateur sur « AUTO ».
	Pas d'alimentation électrique	Mettez sous tension l'outil et l'aspirateur.
Impossible de terminer correctement l'enregistrement de l'outil/l'annulation de l'enregistrement de l'outil.	Le connecteur sans fil n'est pas installé sur l'aspirateur et/ou l'outil. Le connecteur sans fil est mal installé sur l'aspirateur et/ou l'outil.	Installez correctement le connecteur sans fil.
	La borne du connecteur sans fil et/ou la fente sont sales.	Essuyez délicatement la poussière et la saleté sur la borne du connecteur sans fil et nettoyez la fente de l'aspirateur et/ou de l'outil.
	Le bouton de veille de l'aspirateur n'est pas placé sur « AUTO ».	Placez le bouton de veille de l'aspirateur sur « AUTO ».
	Pas d'alimentation électrique	Mettez sous tension l'outil et l'aspirateur.
	Fonctionnement incorrect	Appuyez brièvement sur le bouton d'activation sans fil et recommencez l'enregistrement de l'outil/l'annulation de l'enregistrement de l'outil.
	L'outil et l'aspirateur sont éloignés l'un de l'autre (hors de la portée de transmission).	Rapprochez l'outil de l'aspirateur. La distance de transmission maximum est d'environ 10 m, toutefois elle peut varier selon les circonstances.
	Avant de terminer l'enregistrement/l'annulation de l'outil ; - l'interrupteur de l'outil est en position de marche ou ; - le bouton d'alimentation de l'aspirateur est placé sur Marche.	Appuyez brièvement sur le bouton d'activation sans fil et recommencez l'enregistrement de l'outil/l'annulation de l'enregistrement de l'outil.
	Les procédures d'enregistrement de l'outil pour l'outil ou l'aspirateur ne sont pas terminées.	Procédez à l'enregistrement de l'outil pour l'outil et l'aspirateur en même temps.
Interférence radio d'autres appareils qui génèrent des ondes radio puissantes.	Maintenez l'outil et l'aspirateur à l'écart des appareils comme des appareils Wi-Fi et des fours à micro-ondes.	

État d'anomalie	Cause probable (dysfonctionnement)	Solution
L'aspirateur ne se met pas en marche avec l'utilisation de l'interrupteur de l'outil.	Le connecteur sans fil n'est pas installé sur l'aspirateur et/ou l'outil. Le connecteur sans fil est mal installé sur l'aspirateur et/ou l'outil.	Installez correctement le connecteur sans fil.
	La borne du connecteur sans fil et/ou la fente sont sales.	Essayez délicatement la poussière et la saleté sur la borne du connecteur sans fil et nettoyez la fente de l'aspirateur et/ou de l'outil.
	Le bouton d'activation sans fil de l'outil n'a pas été enfoncé.	Appuyez brièvement sur le bouton d'activation sans fil et assurez-vous que le témoin d'activation sans fil clignote en bleu.
	Le bouton de veille de l'aspirateur n'est pas placé sur « AUTO ».	Placez le bouton de veille de l'aspirateur sur « AUTO ».
	Plus de 10 outils sont enregistrés sur l'aspirateur.	Recommencez l'enregistrement de l'outil. Si plus de 10 outils sont enregistrés sur l'aspirateur, l'outil enregistré le plus tôt sera automatiquement annulé.
	L'aspirateur a effacé tous les enregistrements d'outils.	Recommencez l'enregistrement de l'outil.
	Pas d'alimentation électrique	Mettez sous tension l'outil et l'aspirateur.
	L'outil et l'aspirateur sont éloignés l'un de l'autre (hors de la portée de transmission).	Rapprochez l'outil de l'aspirateur. La distance de transmission maximum est d'environ 10 m, toutefois elle peut varier selon les circonstances.
	Interférence radio d'autres appareils qui génèrent des ondes radio puissantes.	Maintenez l'outil et l'aspirateur à l'écart des appareils comme des appareils Wi-Fi et des fours à micro-ondes.
L'aspirateur fonctionne alors que l'outil ne fonctionne pas.	D'autres utilisateurs emploient la fonction d'activation sans fil de l'aspirateur avec leurs outils.	Placez le bouton d'activation sans fil des autres outils sur Arrêt ou annulez l'enregistrement de l'outil des autres outils.
Impossible d'effacer tous les enregistrements d'outils dans l'aspirateur.	Pression sur le bouton sans fil sur l'outil.	Appuyez sur le bouton sans fil de l'aspirateur pour effacer tous les enregistrements d'outils.
	Le bouton de veille de l'aspirateur n'est pas placé sur « AUTO ».	Placez le bouton de veille de l'aspirateur sur « AUTO ».
	Le bouton d'activation sans fil n'est pas maintenu enfoncé correctement.	Maintenez enfoncé le bouton d'activation sans fil pendant plus de 6 secondes, puis relâchez-le lorsque le témoin d'activation sans fil clignote en rouge. Maintenez à nouveau enfoncé le bouton d'activation sans fil pendant plus de 6 secondes jusqu'à ce que le bouton d'activation sans fil clignote rapidement en rouge, puis relâchez-le.

ENTRETIEN

⚠ ATTENTION : Assurez-vous toujours que l'appareil est hors tension et que les batteries sont retirées avant d'y effectuer tout travail d'inspection ou d'entretien.

REMARQUE : N'utilisez jamais d'essence, benzène, diluant, alcool ou autre produit similaire. Cela risquerait de provoquer la décoloration, la déformation ou la fissuration de l'outil.

Pour assurer la SÉCURITÉ et la FIABILITÉ du produit, toute réparation, tout travail d'entretien ou de réglage doivent être effectués par un centre d'entretien Makita agréé, avec des pièces de rechange Makita.

Rangement des accessoires

Les accessoires et fixations non utilisés, tels que les suceurs et les brosses, peuvent être accrochés et rangés dans le crochet multiple à l'arrière de l'aspirateur.
► **Fig.40:** 1. Crochet multiple 2. Accessoires et fixations non utilisés

Les tubes (avec un frein en option installé) peuvent être placés dans le porte-tube lorsque vous n'utilisez pas l'aspirateur pendant un court instant.
► **Fig.41:** 1. Frein (accessoire en option) 2. Porte-tube

Un tuyau peut être enroulé et rangé autour du logement ou de la poignée de l'aspirateur en grandes boucles. Attachez ses deux extrémités ensemble pour former des boucles et accrochez les boucles sur la poignée relevée. Vous pouvez également maintenir son extrémité souche installée dans l'entrée du tuyau et accrocher les boucles sur le crochet multiple avec l'extrémité libre attachée.

► **Fig.42**

► **Fig.43**

Nettoyage du filtre à poudre (HEPA) et du préfiltre

Nettoyez régulièrement le filtre à poudre, le préfiltre et l'amortisseur, car des filtres et un amortisseur obstrués peuvent entraîner une aspiration médiocre.

Éliminez régulièrement la poussière en essuyant et secouant à la main les filtres et l'amortisseur.

► **Fig.44:** 1. Préfiltre

► **Fig.45:** 1. Amortisseur 2. Filtre à poudre (HEPA)

Lavez à l'occasion le filtre à poudre dans l'eau, rincez-le et séchez-le bien à l'ombre avant de le réutiliser. Ne lavez jamais les filtres dans un lave-linge.

► **Fig.46**

NOTE : Ne frottez pas ni ne grattez le filtre à poudre, le préfiltre ou l'amortisseur avec des objets durs comme une brosse ou une spatule.

NOTE : Les filtres s'usent avec le temps. Il est recommandé d'avoir des filtres de rechange.

ACCESSOIRES EN OPTION

⚠ ATTENTION : Ces accessoires ou pièces complémentaires sont recommandés pour l'utilisation avec l'outil Makita spécifié dans ce mode d'emploi. L'utilisation de tout autre accessoire ou pièce complémentaire peut comporter un risque de blessure. N'utilisez les accessoires ou pièces complémentaires qu'aux fins auxquelles ils ont été conçus.

Pour obtenir plus de détails sur ces accessoires, contactez votre centre d'entretien local Makita.

- Tuyau
- Manchons avant (22, 24, 38)
- Tuyau droit
- Tube prolongateur
- Suceur plat
- Brosse ronde
- Filtre à poudre, HEPA (pour les poussières sèches)
- Amortisseur
- Préfiltre
- Ensemble du suceur
- Tube cintré
- Sac en polyéthylène
- Sac papier
- Adaptateur MAKPAC
- Connecteur sans fil
- Batterie et chargeur Makita d'origine

NOTE : Il se peut que certains éléments de la liste soient compris dans l'emballage de l'outil en tant qu'accessoires standard. Ils peuvent varier d'un pays à l'autre.

WARNUNG

- Diese Maschine sollte nicht von Personen (einschließlich Kindern) mit reduzierten körperlichen, sensorischen oder geistigen Fähigkeiten oder mangelnder Erfahrung und Kenntnis benutzt werden.
- Kinder sollten beaufsichtigt werden, um sicherzugehen, dass sie nicht mit dem Sauggerät spielen.
- Angaben zur Typenbezeichnung des Akkus finden Sie im Kapitel „TECHNISCHE DATEN“.
- Angaben zum Demontage- oder Installationsverfahren des Akkus finden Sie im Abschnitt „Installieren oder Demontieren des Akkus“.
- Entfernen Sie den Akku zum Entsorgen vom Werkzeug, und entsorgen Sie ihn an einem sicheren Ort. Befolgen Sie die örtlichen Vorschriften bezüglich der Entsorgung von Akkus.
- Soll das Werkzeug längere Zeit nicht benutzt werden, muss der Akku vom Werkzeug entfernt werden.
- Der Akku darf nicht kurzgeschlossen werden.
- Entsprechende Details der Vorsichtsmaßnahmen während der Benutzerwartung finden Sie im Kapitel „WARTUNG“.

TECHNISCHE DATEN

Modell:	VC002GL	VC004GL
Standard-Filtertyp	Pulverfilter (für Trockenstaub)	
Maximales Luftvolumen (mit BL4040, ø38 mm x 2,5-m-Schlauch)	2,7 m ³ /min	
Unterdruck (mit BL4040, ø38 mm x 2,5-m-Schlauch)	23 kPa	
Rückgewinnbare Kapazität	8 L	15 L
Abmessungen (L x B x H)	366 mm x 334 mm x 425 mm	366 mm x 334 mm x 475 mm
Nennspannung	Gleichstrom 36 V - 40 V max.	
Nettogewicht	8,3 - 11,4 kg	8,6 - 11,7 kg
Schutzgrad	IPX4	

- Wir behalten uns vor, Änderungen der technischen Daten im Zuge der Entwicklung und des technischen Fortschritts ohne vorherige Ankündigung vorzunehmen.
- Die technischen Daten und der Akku können von Land zu Land unterschiedlich sein.
- Das Gewicht schließt keine Zubehörteile, aber Akkus ein. Das niedrigste und höchste Kombinationsgewicht des Gerätes und der Akkus sind in der Tabelle angegeben.
- Für Nassstaub sind der Schwimmer und der Wasserfilter oder der Tuchfilter erforderlich.

Zutreffende Akkus und Ladegeräte

Akku	BL4020 / BL4025 / BL4040* / BL4050F* / BL4080F* *: Empfohlener Akku
Ladegerät	DC40RA / DC40RB / DC40RC

- Einige der oben aufgelisteten Akkus und Ladegeräte sind je nach Ihrem Wohngebiet eventuell nicht erhältlich.

⚠️ WARNUNG: Verwenden Sie nur die oben aufgeführten Akkus und Ladegeräte. Bei Verwendung irgendwelcher anderer Akkus und Ladegeräte besteht Verletzungs- und/oder Brandgefahr.

Symbole

Nachfolgend werden Symbole beschrieben, die für das Gerät verwendet werden können. Machen Sie sich unbedingt vor der Benutzung mit ihrer Bedeutung vertraut.



Betriebsanleitung lesen.



Besondere Umsicht und Aufmerksamkeit erforderlich.



Warnung! Der Staubsauger kann gefährlichen Staub enthalten.



Stellen Sie sich niemals auf den Staubsauger.



Staubklasse L (leicht). Die Staubsauger sind in der Lage, Staub der Staubklasse L aufzusaugen. Befolgen Sie die Vorschriften Ihres Landes in Bezug auf Stäube sowie Sicherheit und Gesundheitsschutz am Arbeitsplatz.



Nur für EU-Länder
Aufgrund des Vorhandenseins gefährlicher Komponenten in der Ausrüstung können Elektro- und Elektronik-Altgeräte, Akkumulatoren und Batterien sich negativ auf die Umwelt und die menschliche Gesundheit auswirken.
Entsorgen Sie Elektro- und Elektronikgeräte oder Batterien nicht mit dem Hausmüll!
In Übereinstimmung mit der Europäischen Richtlinie über Elektro- und Elektronik-Altgeräte, Akkumulatoren und Batterien, verbrauchte Akkumulatoren und Batterien sowie ihrer Anpassung an nationales Recht sollten Elektro-Altgeräte, Batterien und Akkumulatoren gemäß den Umweltschutzbestimmungen getrennt gelagert und zu einer getrennten Sammelstelle für Siedlungsabfälle geliefert werden.
Dies wird durch das am Gerät angebrachte Symbol der durchgestrichenen Abfalltonne auf Rädern angezeigt.

Vorgesehene Verwendung

Das Gerät ist für das Absaugen von Trockenstaub vorgesehen. Das Gerät eignet sich für kommerziellen Einsatz, z. B. in Hotels, Schulen, Krankenhäusern, Fabriken, Läden, Büros und Mietunternehmen.

Geräusch

Typischer A-bewerteter Geräuschpegel ermittelt gemäß EN60335-2-69:

Modell VC002GL

Schalldruckpegel (L_{pA}): 70 dB (A) oder weniger
Messunsicherheit (K): 2,5 dB (A)

Modell VC004GL

Schalldruckpegel (L_{pA}): 70 dB (A) oder weniger
Messunsicherheit (K): 2,5 dB (A)

Der Geräuschpegel kann während des Betriebs 80 dB (A) überschreiten.

HINWEIS: Der (Die) angegebene(n) Schallemissionswert(e) wurde(n) im Einklang mit der Standardprüfmethode gemessen und kann (können) für den Vergleich zwischen Werkzeugen herangezogen werden.

HINWEIS: Der (Die) angegebene(n) Schallemissionswert(e) kann (können) auch für eine Vorbewertung des Gefährdungsgrads verwendet werden.

⚠️ WARNUNG: Einen Gehörschutz tragen.

⚠️ WARNUNG: Die Schallemission während der tatsächlichen Benutzung des Elektrowerkzeugs kann je nach der Benutzungsweise des Werkzeugs, und speziell je nach der Art des bearbeiteten Werkstücks, von dem (den) angegebenen Wert(en) abweichen.

⚠️ WARNUNG: Identifizieren Sie Sicherheitsmaßnahmen zum Schutz des Benutzers anhand einer Schätzung des Gefährdungsgrads unter den tatsächlichen Benutzungsbedingungen (unter Berücksichtigung aller Phasen des Arbeitszyklus, wie z. B. Ausschalt- und Leerlaufzeiten des Werkzeugs zusätzlich zur Betriebszeit).

Schwingungen

Schwingungsgesamtwert (Drei-Achsen-Vektorsumme) ermittelt gemäß EN60335-2-69:

Modell VC002GL

Schwingungsemission ($a_{h,M}$): 2,5 m/s² oder weniger
Messunsicherheit (K): 1,5 m/s²

Modell VC004GL

Schwingungsemission ($a_{h,M}$): 2,5 m/s² oder weniger
Messunsicherheit (K): 1,5 m/s²

HINWEIS: Der (Die) angegebene(n) Vibrationsgesamtwert(e) wurde(n) im Einklang mit der Standardprüfmethode gemessen und kann (können) für den Vergleich zwischen Werkzeugen herangezogen werden.

HINWEIS: Der (Die) angegebene(n) Vibrationsgesamtwert(e) kann (können) auch für eine Vorbewertung des Gefährdungsgrads verwendet werden.

⚠️ WARNUNG: Die Vibrationsemission während der tatsächlichen Benutzung des Elektrowerkzeugs kann je nach der Benutzungsweise des Werkzeugs, und speziell je nach der Art des bearbeiteten Werkstücks, von dem (den) angegebenen Emissionswert(en) abweichen.

⚠️ WARNUNG: Identifizieren Sie Sicherheitsmaßnahmen zum Schutz des Benutzers anhand einer Schätzung des Gefährdungsgrads unter den tatsächlichen Benutzungsbedingungen (unter Berücksichtigung aller Phasen des Arbeitszyklus, wie z. B. Ausschalt- und Leerlaufzeiten des Werkzeugs zusätzlich zur Betriebszeit).

EG-Konformitätserklärung

Nur für europäische Länder

Die EG-Konformitätserklärung ist als Anhang A in dieser Bedienungsanleitung enthalten.

SICHERHEITSWARNUNGEN

Sicherheitswarnungen für Akku-Sauggerät

⚠️ WARNUNG: WICHTIG! Alle Sicherheitswarnungen und Anweisungen VOR GEBRAUCH AUFMERKSAM LESEN. Eine Missachtung der Warnungen und Anweisungen kann zu einem elektrischen Schlag, Brand und/oder schweren Verletzungen führen.

1. Stellen Sie vor dem Gebrauch sicher, dass dieses Sauggerät nur von Personen benutzt wird, die im Gebrauch dieses Sauggeräts hinreichend unterrichtet worden sind.
2. Vor dem Gebrauch sollten Bediener Informationen, Anweisungen und Schulung im Gebrauch der Maschine und der Substanzen, für die sie zu benutzen ist, einschließlich der sicheren Methode zur Entnahme und Entsorgung des aufgesammelten Materials, erhalten.

3. Stellen Sie vor dem Gebrauch immer sicher, dass die Filter korrekt installiert sind. Benutzen Sie das Sauggerät nicht ohne ein-gesetzte Filter. Ersetzen Sie einen beschädig-ten Filter unverzüglich. Es wird empfohlen, einige Ersatzteile bereitzuhalten, da Filter Verbrauchsmaterial sind.
4. **UNBEABSICHTIGTES EINSCHALTEN VERMEIDEN.** Vergewissern Sie sich, dass der Schalter ausgeschaltet ist, wenn Sie einen oder mehrere Akku(s) einsetzen.
5. Versuchen Sie nicht, brennbare Materialien, Feuerwerk, brennende Zigaretten, heiÙe Asche, heiÙe Metallspäne, scharfe Gegenstände, wie etwa Rasierklingen, Nadeln, Glasscherben oder dergleichen aufzusaugen.
6. **BENUTZEN SIE DAS SAUGGERÄT NIEMALS IN DER NÄHE VON BENZIN, GAS, LACK, KLEBSTOFFEN ODER ANDEREN HOCH EXPLOSIVEN SUBSTANZEN.** Der Schalter erzeugt Funken beim Ein- und Ausschalten. Ebenso der Motorkollektor während des Betriebs. Es kann zu einer gefährlichen Explosion kommen.
7. Saugen Sie niemals giftige, krebserregende, brennbare oder andere Gefahrstoffe wie Asbest, Arsen, Barium, Beryllium, Blei, Pestizide oder sonstige gesundheitsgefähr-dernde Materialien auf.
8. Stellen Sie das Sauggerät immer auf eine hori-zontale und ebene Fläche, um zu verhindern, dass es herunterfällt oder sich unbeabsichtigt bewegt.
9. Benutzen Sie das Sauggerät niemals im Freien bei Regen.
10. Für Finnland: Diese Maschine darf nicht im Freien bei niedrigen Temperaturen benutzt werden.
11. Benutzen Sie das Sauggerät nicht in der Nähe von Wärmequellen (Öfen usw.).
12. Wird die Abluft in den Raum zurückgeleitet, muss für eine angemessene Luftwechselrate im Raum gesorgt werden. Bezugnahme auf nationale Vorschriften ist notwendig.
13. Blockieren Sie nicht den Saugeinlass/den Gebläseauslass/die Kühlluftöffnungen. Diese Öffnungen gestatten eine Kühlung des Motors. Blockierung ist sorgfältig zu vermeiden, weil sonst der Motor wegen mangelnder Belüftung überhitzt.
14. Achten Sie stets auf sicheren Stand und gute Balance.
15. Vermeiden Sie Knicken, Ziehen oder Zertreten des Schlauchs.
16. Stellen Sie das Sauggerät sofort ab, wenn Sie während des Betriebs eine Leistungsverschlechterung oder etwas Ungewöhnliches bemerken.
17. **AKKU(S) ENTNEHMEN.** Bei Nichtgebrauch, vor der Wartung und beim Wechseln von Zubehör.
18. Reinigen und warten Sie das Sauggerät sofort nach jedem Gebrauch, um es in tadellosem Betriebszustand zu halten.
19. **SAUGGERÄT SORGFÄLTIG WARTEN.** Halten Sie das Sauggerät für bessere und sicherere Leistung sauber. Befolgen Sie die Anweisungen zum Auswechseln von Zubehör. Halten Sie die Handgriffe trocken, sauber und frei von Öl und Fett.
20. **GERÄT AUF BESCHÄDIGTE TEILE ÜBERPRÜFEN.** Bevor Sie das Sauggerät weiter benutzen, sollten Sie beschä-digte Schutzvorrichtungen und Teile sorgfältig auf ihre Betriebsfähigkeit und Funktionstüchtigkeit hin überprüfen. Überprüfen Sie das Gerät auf Ausrichtung und Klemmen beweglicher Teile, Beschädigung von Teilen, Befestigungszustand und sons-tige Mängel von Teilen, die seinen Betrieb beeinträchtigen können. Beschädigte Schutzvorrichtungen oder Teile sollten von einem autorisierten Service-Center ordnungsgemäß repariert oder ausgewech-selt werden, wenn nicht anders in dieser Bedienungsanleitung angegeben. Lassen Sie defekte Schalter von einem autorisierten Service-Center auswechseln. Benutzen Sie das Sauggerät nicht, wenn es sich nicht mit dem Schalter ein- und ausschalten lässt.
21. Für Benutzerwartung muss die Maschine zer-legt, gereinigt und gewartet werden, soweit dies einigermaßen praktikabel ist, ohne ein Risiko für das Wartungspersonal und andere Personen zu verursachen.
22. Die Maschine ist mindestens einmal jährlich vom Hersteller oder einer unterwiesenen Person einer technischen Untersuchung zu unterziehen, die z. B. aus der Überprüfung der Filter auf Beschädigung, der Luftdichtigkeit der Maschine und der einwandfreien Funktion des Steuermechanismus besteht.
23. Wenn Wartungs- oder Reparaturarbeiten ausgeführt werden, sind alle verunreinigten Artikel, die nicht zufriedenstellend gerei-nigt werden können, zu entsorgen; solche Artikel sind in undurchlässigen Beuteln im Einklang mit der geltenden Verordnung für die Entsorgung solcher Abfälle zu entsorgen.
24. **ERSATZTEILE.** Verwenden Sie bei der Wartung nur identische Ersatzteile.
25. **UNBENUTZTES SAUGGERÄT LAGERN.** Bei Nichtgebrauch sollte das Sauggerät in einem Innenraum gelagert werden.
26. Behandeln Sie Ihr Sauggerät mit Sorgfalt. Grobe Behandlung kann eine Beschädigung des Sauggerätes verursachen, selbst wenn es noch so robust gebaut ist.
27. Versuchen Sie nicht, die Außen- oder Innenseite mit Waschbenzin, Verdüner oder Reinigungschemikalien zu reinigen. Dadurch können Risse und Verfärbung verursacht werden.
28. Benutzen Sie das Sauggerät nicht in einem geschlossenen Raum, wo brennbare, explosive oder giftige Dämpfe von Lack auf Ölbasis, Lackverdüner, Benzin, bestimmten Mottenschutzmitteln usw. abgegeben werden, oder in Bereichen, wo brennbarer Staub vor-handen ist.

29. **Betreiben Sie weder dieses noch andere Werkzeuge unter dem Einfluss von Medikamenten oder Alkohol.**
30. **Als Grundregel der Sicherheit sollten Sie stets eine Schutzbrille oder eine Sicherheitsbrille mit Seitenschützern verwenden.**
31. **Verwenden Sie eine Staubmaske bei staubigen Arbeitsbedingungen.**
32. **Diese Maschine sollte nicht von Personen (einschließlich Kindern) mit reduzierten körperlichen, sensorischen oder geistigen Fähigkeiten oder mangelnder Erfahrung und Kenntnis benutzt werden.**
33. **Kinder sollten beaufsichtigt werden, um sicherzugehen, dass sie nicht mit dem Sauggerät spielen.**
34. **Fassen Sie Akku(s) und den Staubsauger niemals mit nassen Händen an.**
35. **Lassen Sie bei der Reinigung auf Treppen äußerste Vorsicht walten.**
36. **Benutzen Sie das Sauggerät nicht als Hocker oder Werkbank. Anderenfalls kann die Maschine herunterfallen und Personenschäden verursachen.**
37. **Saugen Sie keinen Schaum oder seifige Flüssigkeit auf. Es kann bewirken, dass Schaum aus dem Luftauslass austritt, was zu einem elektrischen Schlag und einer Beschädigung des Sauggerätes führen kann.**

Gebrauch und Pflege von Akkuwerkzeugen

1. **Laden Sie den Akku nur mit dem vom Hersteller vorgeschriebenen Ladegerät.** Ein Ladegerät, das für einen Akkutyp geeignet ist, kann eine Brandgefahr darstellen, wenn es mit einem anderen Akku verwendet wird.
2. **Benutzen Sie Elektrowerkzeuge nur mit den ausdrücklich vorgeschriebenen Akkus.** Bei Verwendung irgendwelcher anderer Akkus besteht Verletzungs- und Brandgefahr.
3. **Halten Sie den Akku bei Nichtgebrauch von anderen Metallgegenständen, wie z. B. Büroklammern, Münzen, Schlüsseln, Nägeln, Schrauben oder anderen kleinen Metallgegenständen, fern, welche die Kontakte kurzschließen können.** Kurzschließen der Akkukontakte kann Verbrennungen oder einen Brand verursachen.
4. **Bei Missbrauch kann Flüssigkeit aus dem Akku austreten. Vermeiden Sie Kontakt mit dieser Flüssigkeit. Falls Sie versehentlich mit der Flüssigkeit in Berührung kommen, spülen Sie die betroffenen Stellen mit Wasser ab. Falls die Flüssigkeit in die Augen gelangt, suchen Sie zusätzlich ärztliche Hilfe auf.** Die vom Akku austretende Flüssigkeit kann Hautreizungen oder Verätzungen verursachen.
5. **Verwenden Sie keinen Akku und auch kein Werkzeug, der (das) beschädigt oder modifiziert ist.** Beschädigte oder modifizierte Akkus können unvorhersehbares Verhalten zeigen, das zu einem Brand, einer Explosion oder Verletzungsgefahr führen kann.
6. **Setzen Sie einen Akku oder ein Werkzeug nicht Feuer oder übermäßigen Temperaturen aus.** Bei Einwirkung von Feuer oder Temperaturen über 130 °C kann es zu einer Explosion kommen.
7. **Befolgen Sie alle Ladeanweisungen, und laden Sie den Akku bzw. das Werkzeug nicht außerhalb des in den Anweisungen angegebenen Temperaturbereichs.** Wird der Ladevorgang unsachgemäß oder bei Temperaturen außerhalb des angegebenen Bereichs durchgeführt, kann es zu einer Beschädigung des Akkus und erhöhter Brandgefahr kommen.

DIESE ANWEISUNGEN AUFBEWAHREN.

⚠️ WARNUNG: Lassen Sie sich **NICHT** durch Bequemlichkeit oder Vertrautheit mit dem Produkt (durch wiederholten Gebrauch erworben) von der strikten Einhaltung der Sicherheitsregeln für das vorliegende Produkt abhalten. **MISSBRAUCH** oder Missachtung der Sicherheitsvorschriften in dieser Anleitung können schwere Verletzungen verursachen.

Wichtige Sicherheitsanweisungen für Akku

1. **Lesen Sie vor der Benutzung des Akkus alle Anweisungen und Warnhinweise, die an (1) Ladegerät, (2) Akku und (3) Akkuwerkzeug angebracht sind.**
2. **Unterlassen Sie Zerlegen oder Manipulieren des Akkus.** Es kann sonst zu einem Brand, übermäßiger Hitzeentwicklung oder einer Explosion kommen.
3. **Falls die Betriebszeit beträchtlich kürzer geworden ist, stellen Sie den Betrieb sofort ein. Anderenfalls besteht die Gefahr von Überhitzung, möglichen Verbrennungen und sogar einer Explosion.**
4. **Falls Elektrolyt in Ihre Augen gelangt, waschen Sie sie mit sauberem Wasser aus, und begeben Sie sich unverzüglich in ärztliche Behandlung. Anderenfalls können Sie Ihre Sehkraft verlieren.**
5. **Der Akku darf nicht kurzgeschlossen werden:**
 - (1) **Die Kontakte dürfen nicht mit leitfähigem Material berührt werden.**
 - (2) **Lagern Sie den Akku nicht in einem Behälter zusammen mit anderen Metallgegenständen, wie z. B. Nägel, Münzen usw.**
 - (3) **Setzen Sie den Akku weder Wasser noch Regen aus.**

Ein Kurzschluss des Akkus verursacht starken Stromfluss, der Überhitzung, mögliche Verbrennungen und einen Defekt zur Folge haben kann.
6. **Lagern und benutzen Sie das Werkzeug und den Akku nicht an Orten, an denen die Temperatur 50 °C erreichen oder überschreiten kann.**
7. **Versuchen Sie niemals, den Akku zu verbrennen, selbst wenn er stark beschädigt oder vollkommen verbraucht ist. Der Akku kann im Feuer explodieren.**
8. **Unterlassen Sie Nageln, Schneiden, Zerquetschen, Werfen, Fallenlassen des Akkus oder Schlagen des Akkus mit einem harten Gegenstand.** Eine solche Handlung kann zu einem Brand, übermäßiger Hitzeentwicklung oder einer Explosion führen.

9. **Benutzen Sie keine beschädigten Akkus.**
10. **Die enthaltenen Lithium-Ionen-Akkus unterliegen den Anforderungen der Gefahrgut-Gesetzgebung.**
Für kommerzielle Transporte, z. B. durch Dritte oder Spediteure, müssen besondere Anforderungen zu Verpackung und Etikettierung beachtet werden.
Zur Vorbereitung des zu transportierenden Artikels ist eine Beratung durch einen Experten für Gefahrgut erforderlich. Bitte beachten Sie möglicherweise ausführlichere nationale Vorschriften. Überkleben oder verdecken Sie offene Kontakte, und verpacken Sie den Akku so, dass er sich in der Verpackung nicht umher bewegen kann.
11. **Entfernen Sie den Akku zum Entsorgen vom Werkzeug, und entsorgen Sie ihn an einem sicheren Ort. Befolgen Sie die örtlichen Vorschriften bezüglich der Entsorgung von Akkus.**
12. **Verwenden Sie die Akkus nur mit den von Makita angegebenen Produkten.** Das Einsetzen der Akkus in nicht konforme Produkte kann zu einem Brand, übermäßiger Hitzebildung, einer Explosion oder Auslaufen von Elektrolyt führen.
13. **Soll das Werkzeug längere Zeit nicht benutzt werden, muss der Akku vom Werkzeug entfernt werden.**
14. **Bei und nach dem Gebrauch kann der Akku heiß werden, was Verbrennungen oder Niedertemperaturverbrennungen verursachen kann. Beachten Sie die Handhabung von heißen Akkus.**
15. **Berühren Sie nicht den Anschlusskontakt des Werkzeugs unmittelbar nach dem Gebrauch, da er heiß genug werden kann, um Verbrennungen zu verursachen.**
16. **Achten Sie darauf, dass sich keine Späne, Staub oder Schmutz in den Anschlusskontakten, Löchern und Nuten des Akkus absetzen.** Es könnte sonst zu Erhitzung, Brandauslösung, Bersten und Funktionsstörungen des Werkzeugs oder des Akkus kommen, was zu Verbrennungen oder Personenschäden führen kann.
17. **Wenn das Werkzeug den Einsatz in der Nähe einer Hochspannungs-Stromleitung nicht unterstützt, benutzen Sie den Akku nicht in der Nähe einer Hochspannungs-Stromleitung.** Dies kann zu einer Funktionsstörung oder Betriebsstörung des Werkzeugs oder des Akkus führen.
18. **Halten Sie die Batterie von Kindern fern.**

DIESE ANWEISUNGEN AUFBEWAHREN.

▲ VORSICHT: Verwenden Sie nur Original-Makita-Akkus. Die Verwendung von Nicht-Original-Makita-Akkus oder von Akkus, die abgeändert worden sind, kann zum Bersten des Akkus und daraus resultierenden Bränden, Personenschäden und Beschädigung führen. Außerdem wird dadurch die Makita-Garantie für das Makita-Werkzeug und -Ladegerät ungültig.

Hinweise zur Aufrechterhaltung der maximalen Akku-Nutzungsdauer

1. **Laden Sie den Akku, bevor er vollkommen erschöpft ist. Schalten Sie das Werkzeug stets aus, und laden Sie den Akku, wenn Sie ein Nachlassen der Werkzeugleistung feststellen.**
2. **Unterlassen Sie erneutes Laden eines voll aufgeladenen Akkus. Überladen führt zu einer Verkürzung der Nutzungsdauer des Akkus.**
3. **Laden Sie den Akku bei Raumtemperatur zwischen 10 – 40 °C. Lassen Sie einen heißen Akku abkühlen, bevor Sie ihn laden.**
4. **Wenn Sie den Akku nicht benutzen, nehmen Sie ihn vom Werkzeug oder Ladegerät ab.**
5. **Der Akku muss geladen werden, wenn er lange Zeit (länger als sechs Monate) nicht benutzt wird.**

Wichtige Sicherheitsanweisungen für Funk-Adapter

1. **Unterlassen Sie Zerlegen oder Manipulieren des Funk-Adapters.**
2. **Halten Sie den Funk-Adapter von kleinen Kindern fern. Suchen Sie bei versehentlichem Verschlucken sofort ärztliche Behandlung auf.**
3. **Benutzen Sie den Funk-Adapter nur mit Makita-Werkzeugen.**
4. **Setzen Sie den Funk-Adapter keinem Regen oder Nässe aus.**
5. **Benutzen Sie den Funk-Adapter nicht an Orten, wo die Temperatur 50 °C überschreitet.**
6. **Betreiben Sie den Funk-Adapter nicht an Orten, in deren Nähe sich medizinische Geräte, wie z. B. Herzschrittmacher, befinden.**
7. **Betreiben Sie den Funk-Adapter nicht an Orten, in deren Nähe sich automatisierte Geräte befinden. Bei Betrieb kann in den automatisierten Geräten eine Funktionsstörung oder ein Fehler entstehen.**
8. **Betreiben Sie den Funk-Adapter nicht an Orten unter hohen Temperaturen oder an Orten, wo statische Elektrizität oder elektrisches Rauschen erzeugt werden könnte.**
9. **Der Funk-Adapter kann elektromagnetische Felder (EMF) erzeugen, die aber für den Benutzer nicht gesundheitsschädlich sind.**
10. **Der Funk-Adapter ist ein Präzisionsinstrument. Achten Sie darauf, dass der Funk-Adapter nicht fallen gelassen oder Stößen ausgesetzt wird.**
11. **Vermeiden Sie Berühren der Kontakte des Funk-Adapters mit bloßen Händen oder Metallgegenständen.**
12. **Entfernen Sie stets den Akku vom Produkt, bevor Sie den Funk-Adapter installieren.**
13. **Öffnen Sie den Deckel des Steckplatzes nicht an Orten, wo Staub und Wasser in den Steckplatz eindringen können. Halten Sie den Einlass des Steckplatzes stets sauber.**
14. **Führen Sie den Funk-Adapter stets in der korrekten Richtung ein.**

15. Drücken Sie nicht zu fest und/oder mit einem scharfkantigen Gegenstand auf die Funk-Aktivierungstaste des Funk-Adapters.
16. Halten Sie den Deckel des Steckplatzes beim Betrieb immer geschlossen.
17. Entfernen Sie den Funk-Adapter nicht aus dem Steckplatz, während das Werkzeug mit Strom versorgt wird. Anderenfalls kann eine Funktionsstörung des Funk-Adapters verursacht werden.
18. Entfernen Sie nicht den Aufkleber vom Funk-Adapter.
19. Kleben Sie keinen anderen Aufkleber auf den Funk-Adapter.
20. Lassen Sie den Funk-Adapter nicht an einem Ort liegen, wo statische Elektrizität oder elektrisches Rauschen erzeugt werden könnte.
21. Lassen Sie den Funk-Adapter nicht an einem Ort liegen, der starker Hitze ausgesetzt ist, wie z. B. in einem in praller Sonne geparkten Auto.
22. Lassen Sie den Funk-Adapter nicht an einem Ort liegen, der Staub oder Puder aufweist, oder an dem ein korrosives Gas erzeugt werden könnte.
23. Plötzliche Temperaturschwankungen können den Funk-Adapter betauen. Benutzen Sie den Funk-Adapter nicht eher, bis der Tau vollständig getrocknet ist.
24. Wischen Sie den Funk-Adapter zum Reinigen sanft mit einem trockenen, weichen Tuch ab. Verwenden Sie kein Waschbenzin, kein leitfähiges Fett, keinen Verdünnern oder dergleichen.
25. Bewahren Sie den Funk-Adapter zur Lagerung in der mitgelieferten Schachtel oder einem statikfreien Behälter auf.
26. Führen Sie keine anderen Geräte außer dem Makita-Funk-Adapter in den Steckplatz des Werkzeugs ein.
27. Benutzen Sie das Werkzeug nicht, wenn der Deckel des Steckplatzes beschädigt ist. Wasser, Staub und Schmutz, die in den Steckplatz eindringen, können eine Funktionsstörung verursachen.
28. Ziehen und/oder verdrehen Sie den Deckel des Steckplatzes nicht mehr als nötig. Bringen Sie den Deckel wieder an, falls er sich vom Werkzeug löst.
29. Ersetzen Sie den Deckel des Steckplatzes, falls er verloren geht oder beschädigt wird.

BEWAHREN SIE DIESE ANLEITUNG AUF.

BEZEICHNUNG DER TEILE

- **Abb.1:** 1. Kopfeinheit 2. Pulverfilter (HEPA)
3. Dämpfer 4. Vorfilter 5. Tank

FUNKTIONSBESCHREIBUNG

▲VORSICHT: Vergewissern Sie sich vor der Durchführung von Einstellungen oder Funktionsprüfungen des Gerätes stets, dass das Gerät ausgeschaltet ist und die Akkus abgenommen sind.

Anbringen und Abnehmen des Akkus

▲VORSICHT: Schalten Sie das Gerät stets aus, bevor Sie die Akkus anbringen oder abnehmen.

▲VORSICHT: Halten Sie das Sauggerät und die Akkus beim Anbringen oder Abnehmen der Akkus sicher fest. Anderenfalls kann es dazu führen, dass sie Ihnen aus der Hand rutschen, was zu Schäden am Sauggerät und an den Akkus oder zu Personenschäden führen kann.

▲VORSICHT: Achten Sie beim Öffnen oder Schließen der Akkuabdeckung darauf, dass Sie sich nicht die Finger klemmen. Anderenfalls kann es zu Personenschäden kommen.

Das Sauggerät verfügt über zwei Akkuschächte. Mit zwei identischen Akkus, die parallel verwendet werden, können Sie die Laufzeit bei einer oder mehreren Verwendungen verlängern, ohne dass Sie zum Aufladen der Akkus anhalten müssen. Das Sauggerät arbeitet auch mit einem einzelnen Akku, so dass Sie je nach Ihren Bedürfnissen entweder mit zwei Akkus oder mit einem einzelnen Akku arbeiten können.

► **Abb.2:** 1. Linker Akkuschacht 2. Rechter Akkuschacht

Mit zwei Akkus

Kontinuierlicher Antrieb mit zwei Akkus ermöglicht längere Laufzeit und effizientere Reinigung. Wenn der erste Akku leer wird, schaltet das Sauggerät automatisch auf die andere Stromquelle um, so dass es mit dem zweiten Akku weiterarbeitet.

HINWEIS: Der linke Akkuschacht (bei Frontansicht des Sauggerätes) hat Vorrang vor dem rechten Akkuschacht. Der rechte Akkuschacht wird nur dann als Stromquelle identifiziert, wenn entweder kein Akku im linken Akkuschacht installiert ist oder der Akku im linken Akkuschacht leer wird.

HINWEIS: Sie können den Akku aus dem linken Akkuschacht entnehmen und wieder aufladen, nachdem das Sauggerät seine Stromquelle vom linken auf den rechten Akkuschacht umgeschaltet hat, ohne den Betrieb zu unterbrechen. Um dem linken Akkuschacht nach dem Installieren eines aufgeladenen Akkus wieder Vorrang zu geben, starten Sie das Sauggerät neu.

Mit einem einzelnen Akku

Es wird nur ein Akku als Stromquelle im linken oder rechten Akkuschacht benötigt. Das Sauggerät bestimmt je nach den Betriebsbedingungen automatisch, welcher Akkuschacht verfügbar ist.

Installation und Deinstallation

Um die Akkus zu installieren, lösen Sie zuerst die Verriegelung, und öffnen Sie die Akkuabdeckung. Setzen Sie dann die Akkus ein.

► **Abb.3:** 1. Verschluss 2. Akkuabdeckung

Richten Sie die Führungsfedern der Akkus auf die Nuten des Akkugehäuses aus und schieben Sie sie ein. Schieben Sie sie bis zum Anschlag ein, bis sie mit einem leisen Klick einrasten. Verriegeln Sie dann die Akkuabdeckung.

► **Abb.4:** 1. Akku 2. Knopf

Um die Akkus zu entfernen, schieben Sie sie aus dem Akkugehäuse, während Sie die Knöpfe vor den Akkus gedrückt halten.

⚠ VORSICHT: Setzen Sie den Akku immer vollständig ein. Anderenfalls kann er versehentlich aus dem Gerät herausfallen und Sie oder umstehende Personen verletzen.

⚠ VORSICHT: Unterlassen Sie Gewaltanwendung beim Anbringen des Akkus. Falls der Akku nicht reibungslos hineingleitet, ist er nicht richtig ausgerichtet.

HINWEIS: Wenn das Sauggerät die Stromquelle vom ersten auf den zweiten Akku umschaltet, muss der Betrieb möglicherweise vorübergehend unterbrochen werden, was einen geringfügigen Verlust der Saugleistung verursacht. Bitte beachten Sie, dass es sich nicht um eine Funktionsstörung handelt, so dass sich das Sauggerät erholt und den Betrieb nach der Pause sofort wieder aufnimmt.

Anzeigen der Akku-Restkapazität

Drücken Sie die Prüftaste am Akku, um die Akku-Restkapazität anzuzeigen. Die Anzeigelampen leuchten wenige Sekunden lang auf.

► **Abb.5:** 1. Anzeigelampen 2. Prüftaste

Anzeigelampen			Restkapazität
Erleuchtet	Aus	Blinkend	
			75% bis 100%
			50% bis 75%
			25% bis 50%
			0% bis 25%
			Den Akku aufladen.
			Möglicherweise liegt eine Funktionsstörung im Akku vor.

HINWEIS: Abhängig von den Benutzungsbedingungen und der Umgebungstemperatur kann die Anzeige geringfügig von der tatsächlichen Kapazität abweichen.

HINWEIS: Die erste (äußerste linke) Anzeigelampe blinkt, wenn das Akku-Schutzsystem aktiv ist.

Akku-Anzeigen am Bedienfeld

Die Akku-Restkapazität kann jederzeit auf dem Bedienfeld abgelesen werden. Wenn Sie die Prüftaste drücken, zeigen die linke und rechte Anzeige den Ladezustand des Akkus entsprechend an.

► **Abb.6:** 1. Akku-Anzeige 2. Prüftaste

► **Abb.7**

Status der Akku-Anzeige			Akku-Restkapazität
Ein	Aus	Blinkend	
			50% bis 100%
			20% bis 50%
			0% bis 20%
			Akku aufladen
			Kein Akku eingesetzt

HINWEIS: Die Akku-Anzeigen werden auch aktiviert, wenn das Sauggerät in Betrieb geht oder seine Stromquelle wechselt.

Geräte-/Akku-Schutzsystem

Das Gerät ist mit einem Geräte-/Akku-Schutzsystem ausgestattet. Dieses System schaltet die Stromversorgung des Motors automatisch ab, um die Lebensdauer von Gerät und Akku zu verlängern. Das Gerät bleibt während des Betriebs automatisch stehen, wenn das Gerät oder der Akku einer der folgenden Bedingungen unterliegt:

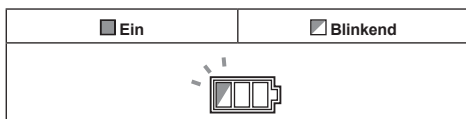
Überlastschutz

Wird das Gerät/der Akku in einer Weise betrieben, die eine ungewöhnlich hohe Stromaufnahme bewirkt, bleibt das Gerät automatisch stehen. Schalten Sie in dieser Situation das Gerät aus, und brechen Sie die Anwendung ab, die eine Überlastung des Gerätes verursacht hat. Schalten Sie dann das Gerät wieder ein, um es neu zu starten.

Überhitzungsschutz

Ein	Blinkend

Wenn das Gerät überhitzt ist, bleibt es automatisch stehen, und die Anzeigen für den linken und rechten Akku blinken. Lassen Sie das Gerät in dieser Situation abkühlen, bevor Sie es wieder einschalten.



Wenn der Akku überhitzt ist, bleibt das Gerät automatisch stehen, und eine der Anzeigen für einen überhitzten Akku blinkt. Lassen Sie den Akku in dieser Situation abkühlen, bevor Sie das Gerät wieder einschalten.

Überentladungsschutz

Wenn die Akkukapazität niedrig wird, bleibt das Gerät automatisch stehen. Falls das Gerät nicht mit der Schalterbetätigung läuft, nehmen Sie die Akkus aus dem Gerät und laden Sie sie auf.

Schutz gegen andere Ursachen

Das Schutzsystem ist auch für andere Ursachen ausgelegt, die eine Beschädigung des Gerätes verursachen könnten, und ermöglicht, dass das Gerät automatisch stehen bleibt. Führen Sie alle folgenden Schritte aus, um die Ursachen zu beseitigen, wenn das Gerät vorübergehend zum Stillstand gekommen ist oder im Betrieb stehen geblieben ist.

1. Schalten Sie das Gerät aus und dann wieder ein, um es neu zu starten.
2. Laden Sie den/die Akku(s) auf oder tauschen Sie ihn/sie gegen einen aufgeladenen Akku/aufgeladene Akkus aus.
3. Lassen Sie das Gerät und den/die Akku(s) abkühlen.

Falls die Wiederherstellung des Schutzsystems keine Besserung bringt, wenden Sie sich an Ihre lokale Makita-Kundendienststelle.

Schalterfunktion

Einschalten des Sauggerätes

1. Stellen Sie den Bereitschaftsschalter auf die Position „I“ (EIN) oder „AUTO“ (EIN), um das Sauggerät im Bereitschaftsmodus zu halten.
2. Drücken Sie die Ein-Aus-Taste. Um wieder in den Bereitschaftsmodus zu wechseln, drücken Sie erneut die Ein-Aus-Taste.

Ausschalten des Sauggerätes

Führen Sie einen der folgenden Schritte aus.

- Drücken Sie die Ein-Aus-Taste, um das Sauggerät wieder in den Bereitschaftsmodus zu versetzen, und stellen Sie dann den Bereitschaftsschalter auf die Position "O" (AUS).
- Stellen Sie den Bereitschaftsschalter auf die Position "O" (AUS).

Einstellen der Saugkraft

Die Saugkraft kann an die jeweils anstehende Arbeit angepasst werden.

- Drehen Sie den Saugkraft-Einstellknopf nach links, um die Saugkraft zu verringern.
- Drehen Sie den Saugkraft-Einstellknopf nach rechts, um die Saugkraft zu erhöhen.

► **Abb.8:** 1. Bereitschaftsschalter 2. Ein-Aus-Taste 3. Saugkraft-Einstellknopf

Verriegeln und Entriegeln der Laufrollen

Die hinteren Laufrollen können mit Stopperrn arretiert werden, um das Sauggerät zum Stillstand zu bringen. Senken Sie den Stopperhebel von Hand ab, um die Laufrolle zu arretieren, und heben Sie ihn an, um sie zu lösen.

► **Abb.9:** 1. Laufrolle 2. Stopperhebel 3. Entriegelte Stellung 4. Verriegelte Stellung

HINWEIS: Vergewissern Sie sich vor dem Bewegen des Sauggerätes, dass die Laufrolle entriegelt ist. Bewegen des Sauggerätes mit verriegelter Laufrolle kann eine Beschädigung der Laufrolle verursachen.

Tragehandgriff

⚠ VORSICHT: Heben und tragen Sie das Gerät mit der gebotenen Sorgfalt. Anderenfalls kann es zu Personenschäden oder Beschädigung des Gerätes kommen.

Halten Sie das Sauggerät beim Tragen am Handgriff an der Kopfeinheit. Der Handgriff ist bei Nichtgebrauch an der Kopfeinheit einklappbar.

► **Abb.10**

MONTAGE

⚠ VORSICHT: Vergewissern Sie sich vor der Ausführung von Arbeiten am Gerät stets, dass das Gerät ausgeschaltet ist und die Akkus abgenommen sind.

⚠ VORSICHT: Tragen Sie während der Montage oder Wartung immer eine Staubmaske.

Installieren des Pulverfilters (HEPA) und des Vorfilters (für Trockenstaub)

⚠ VORSICHT: Saugen Sie niemals Wasser oder andere Flüssigkeiten oder Nassstaub auf, wenn Sie den Pulverfilter verwenden. Durch Aufsaugen solcher Substanzen kann der Pulverfilter beschädigt werden.

Zum Verwenden des Pulverfilters:

1. Setzen Sie den Vorfilter in den Tank ein, wobei Sie die Montagepositionsmarkierungen an Vorfilter und Tank ausrichten.
 2. Setzen Sie den Dämpfer in den Vorfilter ein, und setzen Sie dann den Pulverfilter über den Dämpfer, wobei Sie die Montagepositionsmarkierungen auf dem Pulverfilter und dem Vorfilter ausrichten.
 3. Montieren Sie die Kopfeinheit über dem Tank, und sichern Sie sie mit den Verriegelungsklinken.
- **Abb.11:** 1. Kopfeinheit 2. Pulverfilter (HEPA) 3. Dämpfer 4. Vorfilter 5. Tank 6. Montagepositionsmarkierung

ANMERKUNG: Stellen Sie vor der Benutzung des Pulverfilters sicher, dass Vorfilter und Dämpfer immer zusammen verwendet werden. Es ist nicht erlaubt, den Pulverfilter allein zu installieren.

Einsetzen des Papierbeutels

Sonderzubehör

⚠️ WARNUNG: Vergewissern Sie sich vor der Benutzung eines Papierbeutels, dass der Vorfilter zusammen verwendet wird. Wird der Vorfilter nicht zusammen mit dem Papierbeutel verwendet, können ungewöhnliche Geräusche und Hitze erzeugt werden, was zu einem Brand führen kann.

ANMERKUNG: Saugen Sie niemals Wasser oder andere Flüssigkeiten oder Nassstaub auf, wenn Sie den Papierbeutel verwenden. Durch Aufsaugen solcher Substanzen kann der Papierbeutel beschädigt werden.

ANMERKUNG: Stellen Sie vor der Benutzung eines Papierbeutels sicher, dass der Pulverfilter, der Dämpfer und der Vorfilter immer zusammen verwendet werden.

1. Entfalten Sie einen Papierbeutel.
2. Richten Sie die Öffnung des Papierbeutels auf den Staubeinlass des Tanks aus.
3. Setzen Sie den Papierbeutel so in den Tank ein, dass seine Kartonöffnung in den Papierbeutelhalter eingehakt ist.
▶ **Abb.12:** 1. Papierbeutel 2. Kartonöffnung
3. Papierbeutelhalter 4. Staubeinlass

Installieren des Polyethylenbeutels

Mit einem im Tank installierten Polyethylenbeutel können Sie den Tank leicht entleeren, ohne sich die Hände schmutzig zu machen.

Legen Sie einen Polyethylenbeutel über den Tank und schieben Sie eine Seite der Oberkante des Beutels an seinem offenen Ende zwischen die Halterplatte und die Vorderwand des Tanks.

- ▶ **Abb.13:** 1. Halterplatte 2. Vorderwand des Tanks
3. Polyethylenbeutel

Spreizen Sie die anderen oberen Kanten des Beutels nach außen über die oberen Ränder des Tanks. Legen Sie den Vorfilter auf den Polyethylenbeutel, um die Öffnung des Beutels sicher zu verschließen.

- ▶ **Abb.14:** 1. Vorfilter

HINWEIS: Ein im Fachhandel erhältlicher Polyethylenbeutel kann verwendet werden. Beutel mit einer Dicke von mindestens 0,04 mm werden empfohlen.

HINWEIS: Zu viel Staub kann den Beutel leicht zum Zerreißen bringen. Sammeln Sie daher nicht mehr Staub als die Hälfte des Fassungsvermögens des Beutels auf.

Entleeren des Tanks mit Polyethylenbeutel

⚠️ WARNUNG: Vergewissern Sie sich vor dem Entleeren des Tanks immer, dass das Sauggerät ausgeschaltet ist und die Akkus abgenommen sind. Anderenfalls kann es zu einem elektrischen Schlag und schweren Personenschäden kommen.

ANMERKUNG: Schützen Sie den Tank vor starken Stößen. Starke Stöße können die Teile verformen und beschädigen.

ANMERKUNG: Entleeren Sie den Tank mindestens einmal pro Tag, obwohl dies von der im Tank angesammelten Staubmenge abhängt. Anderenfalls verschlechtert sich die Saugkraft, und der Motor kann beschädigt werden.

ANMERKUNG: Fassen Sie beim Entleeren des Tanks nicht an die Haken oder Klinken. Das Anfassen der Haken oder Klinken kann deren Bruch verursachen.

Lösen Sie die Verriegelungsklinken, und heben Sie die Kopfeinheit vom Tank ab.
Schütteln Sie den Staub vom Vorfilter ab, bevor Sie den Filter vom Tank abheben.

Nehmen Sie dann den Polyethylenbeutel aus dem Tank, wobei Sie die Öffnung des Beutels mit der Hand verschließen.

- ▶ **Abb.15:** 1. Polyethylenbeutel 2. Tank

HINWEIS: Nehmen Sie den Polyethylenbeutel vorsichtig aus dem Tank, um zu vermeiden, dass er durch die Kanten im Tank zerkratzt und zerrissen wird.

HINWEIS: Entleeren Sie den Polyethylenbeutel, bevor er ganz voll wird. Zu viel Staub im Tank kann Zerreißen des Polyethylenbeutels verursachen.

Installieren des Multi-Hakens

Verwenden Sie den Multi-Haken, um einen Schlauch, Zubehör und Anbauteile, die nicht verwendet werden, an Ort und Stelle zu halten, damit Sie sie gemäß Ihren Präferenzen schnell herausnehmen können.

- ▶ **Abb.16**

Setzen Sie den Multi-Haken auf die Montagebasis auf der Rückseite des Sauggerätes, und richten Sie die Schienen am Multi-Haken entlang den Nuten an der Montagebasis aus.

- ▶ **Abb.17:** 1. Multi-Haken 2. Montagebasis

Installieren des MAKPAC-Adapters

Sonderzubehör

Mit einem optionalen Adapter können anschließbare und stapelbare MAKPAC-Aufbewahrungsbehälter auf dem Sauggerät installiert werden. Die Behälter sind in vielen Größen und Ausführungen erhältlich, um Ihren Wünschen gerecht zu werden.

Setzen Sie den Haken der Montagebasis auf den Handgriff des Sauggerätes, wobei die Montagefläche nach oben zeigt, wenn der Handgriff in die geschlossene Position geklappt ist.

- ▶ **Abb.18:** 1. Montagebasishaken 2. Montagefläche
3. Handgriff

Montieren Sie den MAKPAC-Adapter an den Montagebasishaken, und sichern Sie die Teile mit vier mitgelieferten Schrauben.

- **Abb.19:** 1. MAKPAC-Adapter
2. Montagebasishaken 3. Schraube

Heben Sie den Druckbügel an, und ziehen Sie den Knopf fest, um die Installation der MAKPAC-Behälter am Sauggerät vorzubereiten.

- **Abb.20:** 1. Druckbügel 2. Knopf

HINWEIS: Einzelheiten zur Installation der MAKPAC-Behälter finden Sie in den Anweisungen, die mit dem MAKPAC-Adapter und den Behältern geliefert werden.

Installieren des Schlauchs

ANMERKUNG: Biegen Sie den Schlauch niemals gewaltsam, und vermeiden Sie, auf ihn zu treten. Bewegen Sie das Sauggerät niemals durch Ziehen am Schlauch. Gewaltanwendung, Stampfen und Ziehen des Schlauchs können eine Beschädigung oder Verformung des Schlauchs verursachen.

ANMERKUNG: Wenn Sie größere Abfallstücke, wie z. B. Hobelspäne, Betonstaub oder ähnliche größere Abfallstücke aufsaugen, verwenden Sie den Schlauch mit 38 mm Innendurchmesser (Sonderzubehör). Bei Verwendung des Schlauchs mit 28 mm Innendurchmesser (Sonderzubehör) kann es zu Verstopfung und Beschädigung des Schlauchs kommen.

Anschluss an das Sauggerät

Führen Sie das Schlauchende in den Staubeinlass (Schlaucheinlass) des Sauggerätes ein, und drehen Sie es dann im Uhrzeigersinn, bis es einrastet.

- **Abb.21:** 1. Schlauch 2. Staubeinlass (Schlaucheinlass)

Anschluss an Ihre Arbeitsgeräte (länderspezifisch)

Durch Anschließen des Sauggerätes an alle verfügbaren Arbeitsgeräte, die mit dem Sauggerät kompatibel sind, funktioniert es als Staubabsauger für Ihre Elektrowerkzeuge.

Wählen Sie eine der Frontmanschetten oder Verbindungsstücke (Sonderzubehör), die für Ihr Werkzeugmodell am besten geeignet sind. Platzieren Sie die Manschetten bzw. das Verbindungsstück je nach Bedarf zwischen dem vorderen Ende des Sauggeräteschlauchs und einer Staubabsaugöffnung Ihres Werkzeugs.

- **Abb.22:** 1. Frontmanschetten oder Verbindungsstück 2. Sauggeräteschlauch 3. Elektrowerkzeug 4. Sauggerät

Montieren und Demontieren von Sauggeräteaufsätzen

⚠ VORSICHT: Prüfen Sie nach der Anbringung eines Aufsatzes, ob er sicher angebracht ist. Falls der Aufsatz unvollständig angebracht ist, kann er sich lösen und Personenschäden verursachen.

Bei Verwendung des Aufsatzes ohne Verriegelungsfunktion

Sonderzubehör

Setzen Sie einen Aufsatz in den Saugeinlass des Sauggerätes ein, indem Sie ihn einschieben und von Hand festschrauben.

Drehen Sie den Aufsatz mit der Hand, und ziehen Sie ihn nach Gebrauch vom Saugeinlass ab.

- **Abb.23**

Aufsätze mit Verriegelungsfunktion

Sonderzubehör

ANMERKUNG: Achten Sie beim Anbringen des Aufsatzes mit Verriegelungsfunktion darauf, dass der Einriegelungsknopf auf die Raste am Aufsatz ausgerichtet ist. Falls sie nicht ausgerichtet sind, wird der Aufsatz nicht verriegelt und kann sich vom Staubsauger lösen.

Stecken Sie einen Aufsatz in den Saugeinlass des Sauggerätes, indem Sie diese mit einem Klick zusammenschieben.

Um den Aufsatz zu entfernen, ziehen Sie ihn ab, während Sie den Einriegelungsknopf drücken.

- **Abb.24:** 1. Saugeinlass mit Verriegelungsfunktion
2. Einriegelungsknopf 3. Aufsatz mit Verriegelungsfunktion

HINWEIS: Ein Aufsatz mit Verriegelungsfunktion kann nur in den Saugeinlass mit Verriegelungsfunktion installiert werden.

- **Abb.25:** 1. Aufsatz mit Verriegelungsfunktion
2. Saugeinlass mit Verriegelungsfunktion
3. Saugeinlass ohne Verriegelungsfunktion

Einstellen der Länge des Klemmknopf-Verlängerungsrohrs

Sonderzubehör

Ein Klemmknopf-Verlängerungsrohr kann für kürzere oder längere Längen kombiniert werden. Es ermöglicht die Reinigung schwer zugänglicher Bereiche und komfortable Positionierungsoptionen.

Ziehen Sie das Schieberrohr ein und aus, um die Rohrlänge zu ändern, während Sie den Klemmknopf gedrückt halten.

Lassen Sie den Klemmknopf los, um das Schieberrohr in der gewünschten Position zu fixieren.

- **Abb.26:** 1. Schieberrohr 2. Klemmknopf

FUNK- AKTIVIERUNGSFUNKTION

Mit der Funk-Aktivierungsfunktion verfügbare Möglichkeiten

Die Funk-Aktivierungsfunktion ermöglicht sauberen und komfortablen Betrieb. Wenn Sie ein unterstütztes Werkzeug an den Staubsauger anschließen, können Sie den Staubsauger automatisch mit der Schalterbetätigung des Werkzeugs betreiben.

► **Abb.27**

ANMERKUNG: Nehmen Sie unbedingt die Betriebsanleitung des Werkzeugs zur Hand, wenn Sie den Staubsauger mit der Funk-Aktivierungsfunktion benutzen.

ANMERKUNG: Unterlassen Sie Zerlegen oder Manipulieren des Funk-Adapters.

ANMERKUNG: Um zu verhindern, dass Staub in den Schlitz des Funk-Adapters gelangt, schließen Sie stets den Deckel einwandfrei während Betrieb und Lagerung.

ANMERKUNG: Entfernen Sie den Funk-Adapter nicht, während Strom zugeführt wird. Anderenfalls kann eine Funktionsstörung des Funk-Adapters verursacht werden.

ANMERKUNG: Drücken Sie nicht zu fest und/oder mit einem scharfkantigen Gegenstand auf die Funk-Aktivierungstaste.

HINWEIS: Für die Funk-Aktivierung werden Makita-Werkzeuge mit dem Funk-Adapter benötigt.

HINWEIS: Bevor die Funk-Aktivierungsfunktion zum ersten Mal mit dem jeweiligen Werkzeug benutzt werden kann, ist die Werkzeugregistrierung erforderlich. Wenn die Registrierung des Werkzeugs einmal durchgeführt worden ist, erübrigt sich eine Neuregistrierung, sofern die Registrierung nicht aufgehoben wird.

HINWEIS: Vergewissern Sie sich vor der Registrierung, dass der Funk-Adapter ordnungsgemäß eingesetzt ist.

HINWEIS: Ein Funk-Adapter kann bis zu 10 Verbindungen mit anderen Funk-Adaptoren registrieren. Wenn mehr als 10 andere Funk-Adapter in einem Funk-Adapter registriert werden, wird die Registrierung des ersten automatisch gelöscht.

HINWEIS: Die Position der Funk-Aktivierungstaste ist je nach Werkzeug unterschiedlich.

HINWEIS: Der Staubsauger kann auch durch Drücken der Ein-Aus-Taste gestartet werden, wenn der Bereitschaftsschalter auf „AUTO“ steht. Die Ein-Aus-Taste lässt sich jedoch nicht betätigen, wenn die Funk-Aktivierungsfunktion benutzt wird.

Installieren des Funk-Adapters

⚠ VORSICHT: Legen Sie das Sauggerät zum Installieren des Funk-Adapters auf eine ebene und stabile Oberfläche.

ANMERKUNG: Entfernen Sie Staub und Schmutz vom Sauggerät, bevor Sie den Funk-Adapter installieren. Staub oder Schmutz können eine Funktionsstörung verursachen, falls sie in den Schlitz des Funk-Adapters gelangen.

ANMERKUNG: Um eine durch statische Entladung verursachte Funktionsstörung zu verhindern, berühren Sie ein Material zur Ableitung statischer Elektrizität, wie z. B. ein Metallteil, bevor Sie den Funk-Adapter anfassen.

ANMERKUNG: Achten Sie beim Installieren des Funk-Adapters immer darauf, dass der Funk-Adapter in der korrekten Richtung eingeführt wird und der Deckel vollständig geschlossen ist.

1. Öffnen Sie den Deckel am Sauggerät, wie in der Abbildung gezeigt.

► **Abb.28:** 1. Deckel

2. Führen Sie den Funk-Adapter in den Steckplatz ein, und schließen Sie dann den Deckel.

Wenn Sie den Funk-Adapter einführen, richten Sie die Vorsprünge auf die Vertiefungen des Steckplatzes aus.

► **Abb.29:** 1. Funk-Adapter 2. Vorsprung 3. Deckel 4. Vertiefung

Zum Entfernen des Funk-Adapters öffnen Sie den Deckel langsam. Die Haken an der Rückseite des Deckels heben den Funk-Adapter an, wenn Sie den Deckel hochziehen.

► **Abb.30:** 1. Funk-Adapter 2. Haken 3. Deckel

Bewahren Sie den Funk-Adapter nach der Entnahme in der mitgelieferten Schachtel oder einem statikfreien Behälter auf.

ANMERKUNG: Verwenden Sie immer die Haken an der Rückseite des Deckels zum Entfernen des Funk-Adapters. Falls die Haken den Funk-Adapter nicht greifen, schließen Sie den Deckel vollständig, und öffnen Sie ihn dann wieder langsam.

Werkzeugregistrierung für den Staubsauger

HINWEIS: Ein Makita-Werkzeug, das die Funk-Aktivierungsfunktion unterstützt, ist für die Werkzeugregistrierung erforderlich.

HINWEIS: Die Installation des Funk-Adapters im Werkzeug muss vollendet sein, bevor mit der Werkzeugregistrierung begonnen wird.

HINWEIS: Unterlassen Sie während der Werkzeugregistrierung die Betätigung des Auslöseschalters am Werkzeug oder das Einschalten des Ein-Aus-Schalters am Staubsauger.

HINWEIS: Nehmen Sie auch auf die Betriebsanleitung des Werkzeugs Bezug.

Wenn Sie den Staubsauger zusammen mit der Schalterbetätigung des Werkzeugs aktivieren möchten, müssen Sie zuvor die Werkzeugregistrierung beenden.

1. Setzen Sie die Funk-Adapter jeweils in das Sauggerät und das Werkzeug ein.

2. Setzen Sie die Akkus in den Staubsauger und das Werkzeug ein.

3. Stellen Sie den Bereitschaftsschalter am Staubsauger auf „AUTO“.

► **Abb.31:** 1. Bereitschaftsschalter

4. Drücken Sie die Funk-Aktivierungstaste am Staubsauger für 3 Sekunden, bis die Funk-Aktivierungslampe in Grün blinkt. Drücken Sie dann die Funk-Aktivierungstaste am Werkzeug in der gleichen Weise.

► **Abb.32:** 1. Funk-Aktivierungstaste
2. Funk-Aktivierungslampe

Wenn Staubsauger und Werkzeug erfolgreich verbunden werden, leuchtet die Funk-Aktivierungslampe 2 Sekunden lang in Grün auf und beginnt dann in Blau zu blinken.

HINWEIS: Nach Ablauf von 20 Sekunden hören die Funk-Aktivierungslampen auf, in Grün zu blinken. Drücken Sie die Funk-Aktivierungstaste am Werkzeug, während die Funk-Aktivierungslampe am Staubsauger blinkt. Falls die Funk-Aktivierungslampe nicht in Grün blinkt, drücken Sie die Funk-Aktivierungstaste kurz, und halten Sie sie erneut gedrückt.

HINWEIS: Wenn Sie zwei oder mehr Werkzeugregistrierungen für den Staubsauger durchführen, beenden Sie die Werkzeugregistrierungen nacheinander.

Starten der Funk-Aktivierungsfunktion

HINWEIS: Beenden Sie die Werkzeugregistrierung für den Staubsauger für die Funk-Aktivierung.

HINWEIS: Platzieren Sie den Staubsauger immer so, dass Sie den Status der Funk-Aktivierungslampe sehen können.

HINWEIS: Nehmen Sie auch auf die Betriebsanleitung des Werkzeugs Bezug.

Nachdem Sie ein Werkzeug im Staubsauger registriert haben, läuft der Staubsauger automatisch mit der Schalterbetätigung am Werkzeug an.

1. Setzen Sie die Funk-Adapter jeweils in das Sauggerät und das Werkzeug ein.

2. Setzen Sie die Akkus in den Staubsauger und das Werkzeug ein.

3. Schließen Sie den Schlauch des Staubsaugers am Werkzeug an.

► **Abb.33**

4. Stellen Sie den Bereitschaftsschalter am Staubsauger auf „AUTO“.

► **Abb.34:** 1. Bereitschaftsschalter

5. Drücken Sie die Funk-Aktivierungstaste am Werkzeug kurz. Die Funk-Aktivierungslampe blinkt in Blau.

► **Abb.35:** 1. Funk-Aktivierungstaste
2. Funk-Aktivierungslampe

6. Schalten Sie das Werkzeug ein. Prüfen Sie, ob das Sauggerät während des Betriebs des Werkzeugs läuft.

⚠ VORSICHT: Prüfen Sie immer nach, ob die Funk-Aktivierungsfunktion wirksam ist, bevor Sie eine Arbeit mit dem Werkzeug beginnen.

Um die Funk-Aktivierung zu stoppen, drücken Sie die Funk-Aktivierungstaste am Werkzeug, oder stellen Sie den Bereitschaftsschalter am Staubsauger auf „I“ oder „O“.

HINWEIS: Die Funk-Aktivierungslampe am Werkzeug hört auf, in Blau zu blinken, wenn 2 Stunden lang kein Betrieb erfolgt. Stellen Sie in diesem Fall den Bereitschaftsschalter am Staubsauger auf „AUTO“, und drücken Sie die Funk-Aktivierungstaste am Werkzeug erneut.

HINWEIS: Der Staubsauger startet/stoppt mit einer Verzögerung. Es tritt eine Zeitverzögerung auf, wenn der Staubsauger eine Schalterbetätigung des Werkzeugs erkennt.

HINWEIS: Die Übertragungreichweite des Funk-Adapters kann abhängig vom Ort und den Umgebungsbedingungen schwanken.

HINWEIS: Wenn zwei oder mehr Werkzeuge in einem Sauggerät registriert sind, kann das Sauggerät anlaufen, selbst wenn Sie das Werkzeug nicht einschalten, weil ein anderer Benutzer die Funk-Aktivierungsfunktion benutzt.

Aufheben der Werkzeugregistrierung für den Staubsauger

Führen Sie das folgende Verfahren durch, um die Werkzeugregistrierung für den Staubsauger aufzuheben.

1. Setzen Sie die Funk-Adapter jeweils in das Sauggerät und das Werkzeug ein.

2. Setzen Sie die Akkus in den Staubsauger und das Werkzeug ein.

3. Stellen Sie den Bereitschaftsschalter am Staubsauger auf „AUTO“.

► **Abb.36:** 1. Bereitschaftsschalter

4. Drücken Sie die Funk-Aktivierungstaste am Staubsauger für 6 Sekunden. Die Funk-Aktivierungslampe blinkt in Grün und wird dann rot. Drücken Sie danach die Funk-Aktivierungstaste am Werkzeug in der gleichen Weise.

► **Abb.37:** 1. Funk-Aktivierungstaste
2. Funk-Aktivierungslampe

Wenn die Aufhebung erfolgreich war, leuchten die Funk-Aktivierungslampen 2 Sekunden lang in Rot auf und beginnen dann in Blau zu blinken.

HINWEIS: Nach Ablauf von 20 Sekunden hören die Funk-Aktivierungslampen auf, in Rot zu blinken. Drücken Sie die Funk-Aktivierungstaste am Werkzeug, während die Funk-Aktivierungslampe am Staubsauger blinkt. Falls die Funk-Aktivierungslampe nicht in Rot blinkt, drücken Sie die Funk-Aktivierungstaste kurz, und halten Sie sie erneut gedrückt.

Löschen aller Werkzeugregistrierungen

Um alle Werkzeugregistrierungen im Staubsauger zu löschen, gehen Sie wie folgt vor.

- **Abb.38:**
1. Bereitschaftsschalter
 2. Funk-Aktivierungstaste
 3. Funk-Aktivierungslampe
1. Installieren Sie den Funk-Adapter am Sauggerät.
 2. Setzen Sie die Akkus in den Staubsauger ein.
 3. Stellen Sie den Bereitschaftsschalter auf „AUTO“.
 4. Halten Sie die Funk-Aktivierungstaste etwa 6 Sekunden lang gedrückt, bis die Funk-Aktivierungslampe in Rot blinkt (etwa zweimal pro Sekunde).

5. Sobald die Funk-Aktivierungslampe in Rot zu blinken beginnt, nehmen Sie den Finger von der Funk-Aktivierungstaste. Halten Sie danach die Funk-Aktivierungstaste erneut etwa 6 Sekunden lang gedrückt.











6. Sobald die Funk-Aktivierungslampe schnell in Rot zu blinken beginnt (etwa 5-mal pro Sekunde), nehmen Sie den Finger von der Funk-Aktivierungstaste. Wenn die Funk-Aktivierungslampe in Rot aufleuchtet und später erlischt, werden alle Werkzeugregistrierungen gelöscht.

HINWEIS: Falls die Funk-Aktivierungslampe nicht in Rot blinkt, drücken Sie die Funk-Aktivierungstaste kurz, und versuchen Sie es erneut.

Beschreibung des Zustands der Funk-Aktivierungslampe

- **Abb.39:**
1. Funk-Aktivierungstaste
 2. Funk-Aktivierungslampe

Die Funk-Aktivierungslampe zeigt den Zustand der Funk-Aktivierungsfunktion an. Die Bedeutung des Lampenzustands ist aus der nachstehenden Tabelle ersichtlich.

Zustand	Funk-Aktivierungslampe			Beschreibung	
	Farbe	 Ein	 Blinkend		Dauer (ungefähr)
Bereitschaft	Blau			Staubsauger: fortlaufend Werkzeug: 2 Stunden	Warten darauf, ob die Werkzeugregistrierung oder die Funk-Aktivierungsfunktion verfügbar ist. Die Lampe am Staubsauger blinkt, wenn der Bereitschaftsschalter auf „AUTO“ steht. Die Lampe am Werkzeug blinkt, wenn die Funk-Aktivierungstaste gedrückt wird. Die Lampe am Werkzeug erlischt automatisch, wenn 2 Stunden lang kein Betrieb erfolgt.
				Wenn das Werkzeug läuft.	
Werkzeugregistrierung	Grün			20 Sekunden	Bereit für die Werkzeugregistrierung. Suchen des zu registrierenden Werkzeugs.
				2 Sekunden	Die Werkzeugregistrierung ist beendet worden. Die Funk-Aktivierungslampe beginnt, in Blau zu blinken.
Aufheben/ Löschen der Werkzeugregistrierung	Rot	 (langsam: 2-mal/Sek.)		20 Sekunden	Bereit für die Aufhebung der Werkzeugregistrierung. Suchen des aufzuhebenden Werkzeugs.
		 (schnell: 5-mal/Sek.)		Wenn die Funk-Aktivierungstaste gedrückt wird.	Bereit, alle Werkzeugregistrierungen zu löschen.
				2 Sekunden	Die Werkzeugregistrierung ist aufgehoben/gelöscht worden. Die Funk-Aktivierungslampe beginnt, in Blau zu blinken.
Sonstiges	Rot			3 Sekunden	Der Funk-Adapter wird mit Strom versorgt, und die Funk-Aktivierungsfunktion wird gestartet.
	Aus	-		-	Der Bereitschaftsschalter steht nicht auf „AUTO“.

Fehlersuche für Funk-Aktivierungsfunktion

Bevor Sie den Reparaturdienst anrufen, führen Sie zunächst Ihre eigene Inspektion durch. Falls Sie ein Problem finden, das nicht in der Anleitung erläutert wird, versuchen Sie nicht, das Werkzeug zu zerlegen. Wenden Sie sich stattdessen an autorisierte Makita-Kundendienstzentren, und achten Sie darauf, dass stets Makita-Ersatzteile für Reparaturen verwendet werden.

Zustand der Unregelmäßigkeit	Wahrscheinliche Ursache (Funktionsstörung)	Abhilfemaßnahme
Die Funk-Aktivierungslampe leuchtet/blinkt nicht.	Es ist kein Funk-Adapter im Sauggerät und/oder Werkzeug installiert. Der Funk-Adapter ist falsch im Sauggerät und/oder Werkzeug installiert.	Installieren Sie den Funk-Adapter korrekt.
	Die Kontakte des Funk-Adapters und/oder des Steckplatzes sind verschmutzt.	Wischen Sie Staub und Schmutz an den Kontakten des Funk-Adapters sachte ab, und reinigen Sie den Schlitz des Sauggerätes und/oder Werkzeugs.
	Die Funk-Aktivierungstaste am Werkzeug ist nicht gedrückt worden.	Drücken Sie die Funk-Aktivierungstaste am Werkzeug kurz.
	Der Bereitschaftsschalter am Staubsauger steht nicht auf „AUTO“.	Stellen Sie den Bereitschaftsschalter am Staubsauger auf „AUTO“.
	Keine Stromversorgung	Versorgen Sie Werkzeug und Staubsauger mit Strom.
Die Werkzeugregistrierung/ Aufhebung der Werkzeugregistrierung kann nicht erfolgreich beendet werden.	Es ist kein Funk-Adapter im Sauggerät und/oder Werkzeug installiert. Der Funk-Adapter ist falsch im Sauggerät und/oder Werkzeug installiert.	Installieren Sie den Funk-Adapter korrekt.
	Die Kontakte des Funk-Adapters und/oder des Steckplatzes sind verschmutzt.	Wischen Sie Staub und Schmutz an den Kontakten des Funk-Adapters sachte ab, und reinigen Sie den Schlitz des Sauggerätes und/oder Werkzeugs.
	Der Bereitschaftsschalter am Staubsauger steht nicht auf „AUTO“.	Stellen Sie den Bereitschaftsschalter am Staubsauger auf „AUTO“.
	Keine Stromversorgung	Versorgen Sie Werkzeug und Staubsauger mit Strom.
	Falsche Bedienung	Drücken Sie die Funk-Aktivierungstaste kurz, und führen Sie die Verfahren der Registrierung/ Registrierungsaufhebung des Werkzeugs erneut durch.
	Der Abstand zwischen Werkzeug und Staubsauger ist zu groß (außerhalb der Übertragungsreichweite).	Verkleinern Sie den Abstand zwischen Werkzeug und Staubsauger. Die maximale Übertragungsreichweite beträgt ungefähr 10 m, sie kann aber je nach den Umständen schwanken.
	Bevor Sie die Werkzeugregistrierung/ Aufhebung der Werkzeugregistrierung beenden; - der Schalter des Werkzeugs wird eingeschaltet, oder; - die Betriebstaste am Sauggerät wird eingeschaltet.	Drücken Sie die Funk-Aktivierungstaste kurz, und führen Sie die Verfahren der Registrierung/ Registrierungsaufhebung des Werkzeugs erneut durch.
	Die Verfahren der Werkzeugregistrierung sowohl für das Werkzeug als auch den Staubsauger sind nicht beendet.	Führen Sie die Verfahren der Werkzeugregistrierung sowohl für das Werkzeug als auch den Staubsauger zum selben Zeitpunkt durch.
Funkstörungen durch andere Geräte, die starke Funkwellen erzeugen.	Halten Sie das Werkzeug und den Staubsauger von solchen Geräten wie WLAN-Geräten und Mikrowellenöfen fern.	

Zustand der Unregelmäßigkeit	Wahrscheinliche Ursache (Funktionsstörung)	Abhilfemaßnahme
Der Staubsauger läuft bei der Schalterbetätigung des Werkzeugs nicht an.	Es ist kein Funk-Adapter im Sauggerät und/oder Werkzeug installiert. Der Funk-Adapter ist falsch im Sauggerät und/oder Werkzeug installiert.	Installieren Sie den Funk-Adapter korrekt.
	Die Kontakte des Funk-Adapters und/oder des Steckplatzes sind verschmutzt.	Wischen Sie Staub und Schmutz an den Kontakten des Funk-Adapters sachte ab, und reinigen Sie den Schlitz des Sauggerätes und/oder Werkzeugs.
	Die Funk-Aktivierungstaste am Werkzeug ist nicht gedrückt worden.	Drücken Sie die Funk-Aktivierungstaste kurz, und vergewissern Sie sich, dass die Funk-Aktivierungslampe in Blau blinkt.
	Der Bereitschaftsschalter am Staubsauger steht nicht auf „AUTO“.	Stellen Sie den Bereitschaftsschalter am Staubsauger auf „AUTO“.
	Es sind mehr als 10 Werkzeuge im Staubsauger registriert.	Führen Sie die Werkzeugregistrierung erneut durch. Wenn mehr als 10 Werkzeuge im Staubsauger registriert werden, wird die Registrierung des ersten Werkzeugs automatisch gelöscht.
	Der Staubsauger hat alle Werkzeugregistrierungen gelöscht.	Führen Sie die Werkzeugregistrierung erneut durch.
	Keine Stromversorgung	Versorgen Sie Werkzeug und Staubsauger mit Strom.
	Der Abstand zwischen Werkzeug und Staubsauger ist zu groß (außerhalb der Übertragungreichweite).	Verkleinern Sie den Abstand zwischen Werkzeug und Staubsauger. Die maximale Übertragungreichweite beträgt ungefähr 10 m, sie kann aber je nach den Umständen schwanken.
	Funkstörungen durch andere Geräte, die starke Funkwellen erzeugen.	Halten Sie das Werkzeug und den Staubsauger von solchen Geräten wie WLAN-Geräten und Mikrowellenöfen fern.
Das Sauggerät läuft, während das Werkzeug außer Betrieb ist.	Andere Benutzer nutzen die Funk-Aktivierung des Staubsaugers mit ihren Werkzeugen.	Schalten Sie die Funk-Aktivierungstaste der anderen Werkzeuge aus, oder heben Sie die Werkzeugregistrierung der anderen Werkzeuge auf.
Es können nicht alle Werkzeugregistrierungen im Staubsauger gelöscht werden.	Drücken der Funk-Aktivierungstaste am Werkzeug.	Drücken Sie die Funk-Aktivierungstaste am Staubsauger, um alle Werkzeugregistrierungen zu löschen.
	Der Bereitschaftsschalter am Staubsauger steht nicht auf „AUTO“.	Stellen Sie den Bereitschaftsschalter am Staubsauger auf „AUTO“.
	Die Funk-Aktivierungstaste wird nicht korrekt gedrückt gehalten.	Halten Sie die Funk-Aktivierungstaste länger als 6 Sekunden gedrückt, und lassen Sie sie dann los, wenn die Funk-Aktivierungslampe in Rot blinkt. Halten Sie die Funk-Aktivierungstaste erneut länger als 6 Sekunden gedrückt, bis die Funk-Aktivierungslampe schnell in Rot blinkt, und lassen Sie dann die Taste los.

WARTUNG

⚠ VORSICHT: Vergewissern Sie sich vor der Durchführung von Inspektions- oder Wartungsarbeiten stets, dass das Gerät ausgeschaltet ist und die Akkus abgenommen sind.

ANMERKUNG: Verwenden Sie auf keinen Fall Benzin, Waschbenzin, Verdünnern, Alkohol oder dergleichen. Solche Mittel können Verfärbung, Verformung oder Rissbildung verursachen.

Um die SICHERHEIT und ZUVERLÄSSIGKEIT dieses Produkts zu gewährleisten, sollten Reparaturen und andere Wartungs- oder Einstellarbeiten nur von Makita-Vertragswerkstätten oder Makita-Kundendienstzentren unter ausschließlicher Verwendung von Makita-Originalersatzteilen ausgeführt werden.

Aufbewahrung von Zubehörteilen

Nicht verwendetes Zubehör und Aufsätze, wie z. B. Düsen und Bürsten, können im Multi-Haken an der Rückseite des Sauggerätes befestigt und aufbewahrt werden.

► **Abb.40:** 1. Multi-Haken 2. Nicht verwendetes Zubehör und Aufsätze

Rohre (mit optionalem Stopper) können in den Rohrhalter gelegt werden, wenn das Sauggerät für kurze Zeit nicht verwendet wird.

► **Abb.41:** 1. Stopper (Sonderzubehör) 2. Rohrhalter

Ein Schlauch kann in großen Schlaufen um das Gehäuse oder den Handgriff des Sauggerätes gewickelt und aufbewahrt werden. Verbinden Sie seine beiden Enden zu Schlaufen, und hängen Sie die Schlaufen in den hochgeklappten Handgriff ein. Alternativ können Sie das Wurzelende im Schlaucheinlass installiert lassen und die Schlaufen mit einem angebundenes losen Ende an den Multi-Haken hängen.

► **Abb.42**

► **Abb.43**

Reinigen des Pulverfilters (HEPA) und Vorfilters

Reinigen Sie den Pulverfilter, den Vorfilter und den Dämpfer in regelmäßigen Abständen, da verstopfte Filter und Dämpfer zu einer schlechten Saugleistung führen können.

Wischen Sie die Filter und den Dämpfer regelmäßig mit der Hand ab und schütteln Sie den Staub ab.

► **Abb.44:** 1. Vorfilter

► **Abb.45:** 1. Dämpfer 2. Pulverfilter (HEPA)

Waschen Sie den Pulverfilter gelegentlich in Wasser aus, spülen Sie ihn ab, und lassen Sie ihn vor Gebrauch im Schatten trocknen. Waschen Sie die Filter niemals in einer Waschmaschine.

► **Abb.46**

HINWEIS: Unterlassen Sie Abreiben oder Abkratzen des Pulverfilters, des Vorfilters oder des Dämpfers mit harten Gegenständen, wie z. B. einer Bürste und einer Kratze.

HINWEIS: Die Filter nutzen im Laufe der Zeit ab. Es ist empfehlenswert, Ersatzfilter bereitzuhalten.

SONDERZUBEHÖR

⚠ VORSICHT: Die folgenden Zubehörteile oder Vorrichtungen werden für den Einsatz mit dem in dieser Anleitung beschriebenen Makita-Werkzeug empfohlen. Die Verwendung anderer Zubehörteile oder Vorrichtungen kann eine Verletzungsgefahr darstellen. Verwenden Sie Zubehörteile oder Vorrichtungen nur für ihren vorgesehenen Zweck.

Wenn Sie weitere Einzelheiten bezüglich dieser Zubehörteile benötigen, wenden Sie sich bitte an Ihre Makita-Kundendienststelle.

- Schlauch
- Frontmanschetten (22, 24, 38)
- Gerades Rohr
- Verlängerungsrohr
- Spitzdüse
- Rundbürste
- Pulverfilter, HEPA (für Trockenstaub)
- Dämpfer
- Vorfilter
- Absaugstutzen
- Gebogenes Rohr
- Polyethylenbeutel
- Papierbeutel
- MAKPAC-Adapter
- Funkadapter
- Original-Makita-Akku und -Ladegerät

HINWEIS: Manche Teile in der Liste können als Standardzubehör im Werkzeugsatz enthalten sein. Sie können von Land zu Land unterschiedlich sein.

AVVERTENZA

- La presente macchina non è destinata all'utilizzo da parte di persone, inclusi i bambini, dalle capacità fisiche, sensoriali o mentali ridotte, o prive di esperienza e preparazione.
- I bambini vanno tenuti sotto controllo per accertarsi che non giochino con l'aspiratore.
- Per il riferimento sul tipo di batteria, vedere il capitolo "DATI TECNICI".
- Per istruzioni su come rimuovere o installare la batteria, vedere la sezione "Installazione o rimozione della cartuccia della batteria".
- Quando si intende smaltire la cartuccia della batteria, rimuoverla dall'utensile e smaltirla in un luogo sicuro. Attenersi alle normative locali relative allo smaltimento della batteria.
- Se l'utensile non viene utilizzato per un periodo di tempo prolungato, la batteria deve essere rimossa dall'utensile.
- Non cortocircuitare la cartuccia della batteria.
- Per i dettagli appropriati relativi alle precauzioni durante la manutenzione da parte dell'utente, vedere il capitolo "MANUTENZIONE".

DATI TECNICI

Modello:	VC002GL	VC004GL
Tipo di filtro standard	Filtro antipolveri (per polveri asciutte)	
Portata aria massima (con BL4040 e tubo flessibile da ø38 mm x 2,5 m)	2,7 m ³ /min	
Pressione di vuoto (con BL4040 e tubo flessibile da ø38 mm x 2,5 m)	23 kPa	
Capacità di recupero	8 L	15 L
Dimensioni (L x P x A)	366 mm x 334 mm x 425 mm	366 mm x 334 mm x 475 mm
Tensione nominale	C.C. Da 36 V a 40 V max	
Peso netto	8,3 - 11,4 kg	8,6 - 11,7 kg
Grado di protezione	IPX4	

- A causa del nostro programma continuativo di ricerca e sviluppo, i dati tecnici sono soggetti a modifiche senza preavviso.
- I dati tecnici e la cartuccia della batteria potrebbero differire da nazione a nazione.
- Il peso non comprende gli accessori ma comprende la cartuccia della batteria o le cartucce delle batterie. Nella tabella sono indicati il peso combinato minimo e massimo dell'apparecchio insieme alla cartuccia della batteria o alle cartucce delle batterie.
- Per polveri umide, sono richiesti il galleggiante e il filtro dell'acqua o il filtro in tessuto.

Cartuccia della batteria e caricabatterie applicabili

Cartuccia della batteria	BL4020 / BL4025 / BL4040* / BL4050F* / BL4080F* * : Batteria consigliata
Caricabatterie	DC40RA / DC40RB / DC40RC

- Alcune cartucce delle batterie e alcuni caricabatterie elencati sopra potrebbero non essere disponibili a seconda della propria area geografica di residenza.

⚠ AVVERTIMENTO: Utilizzare solo le cartucce delle batterie e i caricabatterie elencati sopra. L'utilizzo di altre cartucce delle batterie e di altri caricabatterie potrebbe causare lesioni personali e/o un incendio.

Simboli

Le figure seguenti mostrano i simboli utilizzati per l'apparecchio. Accertarsi di comprenderne il significato prima dell'uso.



Leggere il manuale d'uso.



Adottare cura e attenzione particolari.



Avvertenza! L'aspiratore potrebbe contenere polveri pericolose.



Non salire mai sull'aspiratore.



Classe di polveri L (leggera). Gli aspiratori sono in grado di raccogliere polveri di classe L. Attenersi alle normative della propria nazione relative alle polveri e alla salute e alla sicurezza sul lavoro.



Solo per le nazioni dell'EU
A causa della presenza di componenti pericolosi nelle apparecchiature, i rifiuti di apparecchiature elettriche ed elettroniche, accumulatori e batterie potrebbero produrre un impatto negativo sull'ambiente e sulla salute umana.

Non smaltire elettrodomestici elettrici ed elettronici o batterie insieme ai rifiuti domestici!

In conformità alla direttiva europea sui rifiuti di apparecchiature elettriche ed elettroniche (RAEE), sugli accumulatori e le batterie, nonché sui rifiuti di accumulatori e batterie, e al suo adattamento alle normative nazionali, i rifiuti di apparecchiature elettriche ed elettroniche, batterie e accumulatori vanno conservati separatamente e conferiti a un punto di raccolta separato per i rifiuti comunali, operando in conformità alle normative per la protezione dell'ambiente.

Tale requisito viene indicato mediante il simbolo del bidone della spazzatura con ruote barrato apposto sull'apparecchio.

Utilizzo previsto

Questo elettrodomestico è progettato per la raccolta delle polveri secche. L'elettrodomestico è idoneo a usi commerciali, ad esempio in hotel, scuole, ospedali, fabbriche, negozi, uffici e noleggi.

Rumore

Livello tipico di rumore pesato A determinato in base allo standard EN60335-2-69:

Modello VC002GL

Livello di pressione sonora (L_{pA}): 70 dB (A) o inferiore
Incertezza (K): 2,5 dB (A)

Modello VC004GL

Livello di pressione sonora (L_{pA}): 70 dB (A) o inferiore
Incertezza (K): 2,5 dB (A)

Il livello del rumore nelle condizioni di lavoro può superare gli 80 dB (A).

NOTA: Il valore o i valori dichiarati delle emissioni di rumori sono stati misurati in conformità a un metodo standard di verifica, e possono essere utilizzati per confrontare un utensile con un altro.

NOTA: Il valore o i valori dichiarati delle emissioni di rumori possono venire utilizzati anche per una valutazione preliminare dell'esposizione.

AVVERTIMENTO: Indossare protezioni per le orecchie.

AVVERTIMENTO: L'emissione di rumori durante l'utilizzo effettivo dell'utensile elettrico può variare rispetto al valore o ai valori dichiarati, a seconda dei modi in cui viene utilizzato l'utensile e specialmente a seconda di che tipo di pezzo venga lavorato.

AVVERTIMENTO: Accertarsi di identificare misure di sicurezza per la protezione dell'operatore che siano basate su una stima dell'esposizione nelle condizioni effettive di utilizzo (tenendo conto di tutte le parti del ciclo operativo, ad esempio del numero di spegnimenti dell'utensile e di quando giri a vuoto, oltre al tempo di attivazione).

Vibrazioni

Valore totale delle vibrazioni (somma vettoriale triassiale) determinato in base allo standard EN60335-2-69:

Modello VC002GL

Emissione di vibrazioni ($a_{h,M}$): 2,5 m/s^2 o inferiore
Incertezza (K): 1,5 m/s^2

Modello VC004GL

Emissione di vibrazioni ($a_{h,M}$): 2,5 m/s^2 o inferiore
Incertezza (K): 1,5 m/s^2

NOTA: Il valore o i valori complessivi delle vibrazioni dichiarati sono stati misurati in conformità a un metodo standard di verifica, e possono essere utilizzati per confrontare un utensile con un altro.

NOTA: Il valore o i valori complessivi delle vibrazioni dichiarati possono venire utilizzati anche per una valutazione preliminare dell'esposizione.

AVVERTIMENTO: L'emissione delle vibrazioni durante l'utilizzo effettivo dell'utensile elettrico può variare rispetto al valore o ai valori dichiarati, a seconda dei modi in cui viene utilizzato l'utensile, specialmente a seconda di che tipo di pezzo venga lavorato.

AVVERTIMENTO: Accertarsi di identificare misure di sicurezza per la protezione dell'operatore che siano basate su una stima dell'esposizione nelle condizioni effettive di utilizzo (tenendo conto di tutte le parti del ciclo operativo, ad esempio del numero di spegnimenti dell'utensile e di quando giri a vuoto, oltre al tempo di attivazione).

Dichiarazione di conformità CE

Solo per i paesi europei

La dichiarazione di conformità CE è inclusa nell'Allegato A al presente manuale di istruzioni.

AVVERTENZE DI SICUREZZA

Avvertenze di sicurezza dell'aspirapolvere a batteria

AVVERTIMENTO: IMPORTANTE! LEGGERE CON ATTENZIONE tutte le avvertenze di sicurezza e tutte le istruzioni PRIMA DELL'USO. La mancata osservanza delle avvertenze e delle istruzioni potrebbe risultare in scosse elettriche, incendi e/o gravi lesioni personali.

1. Prima dell'uso, accertarsi che il presente aspiratore venga utilizzato esclusivamente da personale che sia stato istruito in modo adeguato sull'utilizzo del presente aspiratore.
2. Prima dell'uso, è necessario fornire agli operatori informazioni, istruzioni e addestramento sull'utilizzo della macchina e delle sostanze per le quali deve essere utilizzata, incluso il metodo sicuro di rimozione e smaltimento dei materiali raccolti.

3. Prima dell'uso, accertarsi sempre che i filtri siano installati correttamente. Non utilizzare l'aspiratore senza i filtri installati. Sostituire immediatamente un filtro danneggiato. Si consiglia di procurarsi dei ricambi, in quanto i filtri sono articoli consumabili.
4. **EVITARE L'AVVIO ACCIDENTALE.** Accertarsi che l'interruttore sia in posizione OFF (spento) durante l'installazione della/delle batteria/e.
5. Non tentare di raccogliere materiali infiammabili, fuochi d'artificio, sigarette accese, cenere calde, schegge di metallo roventi, materiali affilati quali rasoi, aghi, vetri rotti o simili.
6. **NON UTILIZZARE MAI L'ASPIRATORE IN PROSSIMITÀ DI BENZINA, GAS, VERNICI, ADESIVI O ALTRE SOSTANZE ALTAMENTE ESPLOSIVE.** L'interruttore emette delle scintille quando viene attivato e disattivato. Anche il commutatore del motore emette scintille durante l'uso. Di conseguenza, potrebbe verificarsi un'esplosione pericolosa.
7. Non aspirare mai materiali tossici, cancerogeni, combustibili o altri materiali pericolosi quali amianto, arsenico, bario, berillio, piombo, pesticidi o altri materiali nocivi.
8. Collocare sempre l'aspiratore su una superficie piana orizzontale, per evitarne la caduta o lo spostamento accidentali.
9. Non utilizzare mai l'aspiratore all'aperto sotto la pioggia.
10. Per la Finlandia, questa macchina non va utilizzata all'aperto a basse temperature.
11. Non utilizzare in prossimità di fonti di calore (cucine, e così via).
12. Qualora l'aria di scarico ritorni nella stanza, è necessario provvedere al ricambio dell'aria nella stanza con una frequenza adeguata. Se necessario, fare riferimento alle normative nazionali.
13. Non ostruire le feritoie della presa di aspirazione, dell'apertura di uscita o di raffreddamento. Tali feritoie consentono il raffreddamento del motore. Le ostruzioni vanno evitate con cura; in caso contrario, il motore si brucia a causa della mancanza di ventilazione.
14. Mantenere sempre un corretto appoggio sui piedi e l'equilibrio.
15. Non piegare, tirare o calpestare il tubo flessibile.
16. Arrestare immediatamente l'aspiratore qualora si notino prestazioni scadenti o qualsiasi anomalia durante l'uso.
17. **RIMUOVERE LA/LE BATTERIA/E** quando non si utilizza l'apparecchio, prima di interventi di assistenza e quando si intende sostituire gli accessori.
18. Pulire e sottoporre a manutenzione l'aspiratore subito dopo ciascun utilizzo per mantenerlo in condizioni operative ottimali.
19. **SOTTOPORRE A MANUTENZIONE L'ASPIRATORE CON CURA.** Mantenere l'aspiratore pulito per prestazioni migliori e più sicure. Seguire le istruzioni per la sostituzione degli accessori. Mantenere le maniglie pulite, asciutte e prive di olio e grasso.
20. **CONTROLLARE L'EVENTUALE PRESENZA DI PARTI DANNEGGIATE.** Prima di utilizzare ulteriormente l'aspiratore, controllare con cura protezioni o altre parti che siano danneggiate per accertarsi che funzionino correttamente e che svolgano la funzione a cui sono destinate. Controllare l'allineamento delle parti mobili, la presenza di eventuali inceppamenti delle parti mobili o rottura dei componenti, il montaggio ed eventuali altre condizioni che potrebbero influenzare il funzionamento. Una protezione o un'altra parte che siano danneggiate vanno riparate correttamente o sostituite da un centro di assistenza autorizzato, se non diversamente indicato altrove nel presente manuale di istruzioni. Far sostituire gli interruttori difettosi da un centro di assistenza autorizzato. Non utilizzare l'aspiratore qualora l'interruttore non consenta di accenderlo e spegnerlo.
21. Per la manutenzione eseguita dall'utente, la macchina va smantellata, pulita e sottoposta a manutenzione, entro i limiti ragionevolmente praticabili, senza causare rischi al personale di manutenzione e ad altri.
22. Almeno una volta all'anno, il produttore o una persona appositamente preparata devono sottoporre la macchina a un'ispezione tecnica che comprenda, ad esempio, l'ispezione dei filtri alla ricerca di eventuali danni, l'ermeticità della macchina e il funzionamento corretto del meccanismo di controllo.
23. Quando si intende eseguire operazioni di manutenzione o di riparazione, tutti gli elementi contaminati che non possano venire puliti in modo soddisfacente devono essere smaltiti; tali elementi vanno smaltiti in sacchetti impenetrabili, in conformità a qualsiasi normativa corrente relativa allo smaltimento di tali rifiuti.
24. **PEZZI DI RICAMBIO.** Quando si effettuano interventi di assistenza, utilizzare esclusivamente pezzi di ricambio identici.
25. **RIPORRE L'ASPIRATORE QUANDO NON VIENE UTILIZZATO.** Quando l'aspiratore non è in uso, dovrebbe venire riposto al chiuso.
26. Maneggiare con delicatezza l'aspiratore. Anche l'aspiratore più robusto può rompersi a causa dell'incuria nel maneggiarlo.
27. Non tentare di pulire la superficie esterna o interna con benzina, solventi o prodotti chimici di pulizia. In caso contrario, si potrebbero causare spaccature e scolorimenti.
28. Non utilizzare l'aspiratore in spazi chiusi in cui siano presenti emissioni di vapori infiammabili, esplosivi o tossici dovute a vernici a olio, diluenti per vernici, benzina, alcune sostanze per trattamenti antifunghi, e così via, o in aree in cui siano presenti polveri infiammabili.
29. Non utilizzare questo utensile o altri utensili sotto l'effetto di droghe o alcolici.
30. Come regola di base per la sicurezza, utilizzare occhiali oppure occhiali di sicurezza con paraocchi laterali.
31. Utilizzare una maschera antipolvere in condizioni di lavoro che presentino polveri.
32. La presente macchina non è destinata all'utilizzo da parte di persone, inclusi i bambini, dalle capacità fisiche, sensoriali o mentali ridotte, o prive di esperienza e preparazione.

33. I bambini vanno tenuti sotto controllo per accertarsi che non giochino con l'aspiratore.
34. Non maneggiare mai la/le batteria/e e l'aspiratore con le mani bagnate.
35. Adottare estrema cautela durante la pulizia delle scale.
36. Non utilizzare l'aspiratore come sgabello o piano di lavoro. In caso contrario, la macchina potrebbe cadere, causando lesioni personali.
37. Non aspirare schiuma o liquidi saponosi. Questa operazione potrebbe causare la fuoriuscita della schiuma dall'uscita dell'aria, causando una scossa elettrica e danni all'aspiratore.

Uso e manutenzione degli strumenti a batterie

1. Ricaricare solo con il caricabatterie specificato dal produttore. Un caricabatterie appropriato per un tipo di batteria potrebbe creare un rischio di incendio, se utilizzato con un'altra batteria.
2. Utilizzare gli utensili elettrici solo con le batterie specificamente designate. L'uso di qualsiasi altra batteria potrebbe creare un rischio di lesioni personali e incendi.
3. Quando la batteria non è in uso, tenerla lontana da altri oggetti metallici, quali graffette, monete, chiavi, chiodi, viti o altri piccoli oggetti metallici, che potrebbero fare contatto tra terminali diversi. Il cortocircuito dei terminali della batteria può causare ustioni o incendi.
4. In condizioni di uso improprio, la batteria potrebbe emettere un liquido: evitare il contatto con tale liquido. Qualora si verifici un contatto accidentale con il liquido, lavare abbondantemente con acqua. Qualora il liquido entri in contatto con gli occhi, richiedere anche assistenza medica. Il liquido espulso dalla batteria può causare irritazioni o ustioni.
5. Non utilizzare una batteria o un utensile che siano danneggiati o che siano stati modificati. Batterie danneggiate o modificate potrebbero mostrare un comportamento imprevedibile che può risultare in incendi, esplosioni o nel rischio di lesioni personali.
6. Non esporre una batteria o un utensile al fuoco o a temperature eccessive. L'esposizione al fuoco o a temperature superiori ai 130 °C potrebbe causare un'esplosione.
7. Attenersi a tutte le istruzioni relative alla carica e non caricare la batteria o l'utensile al di fuori della gamma di temperature specificata nelle istruzioni. Una carica inappropriata o a temperature al di fuori della gamma specificata potrebbe danneggiare la batteria e incrementare il rischio di incendio.

CONSERVARE LE PRESENTI ISTRUZIONI.

⚠AVVERTIMENTO: NON lasciare che la comodità o la familiarità d'uso con il prodotto (acquisita con l'uso ripetuto) sostituiscano la stretta osservanza delle norme di sicurezza. L'USO IMPROPRIO o la mancata osservanza delle norme di sicurezza riportate nel presente manuale manuale di istruzioni potrebbero causare lesioni personali gravi.

Istruzioni di sicurezza importanti per la cartuccia della batteria

1. Prima di utilizzare la cartuccia della batteria, leggere tutte le istruzioni e le avvertenze riportate (1) sul caricabatteria, (2) sulla batteria e (3) sul prodotto che utilizza la batteria.
2. Non smantellare né manomettere la cartuccia della batteria. In caso contrario, si potrebbe causare un incendio, calore eccessivo o un'esplosione.
3. Qualora il tempo di utilizzo si riduca eccessivamente, interrompere immediatamente l'utilizzo dell'utensile. In caso contrario, si può incorrere nel rischio di surriscaldamento, possibili ustioni e persino un'esplosione.
4. Qualora l'elettrolita entri in contatto con gli occhi, sciacquarli con acqua pulita e richiedere immediatamente assistenza medica. Questa eventualità può risultare nella perdita della vista.
5. Non cortocircuitare la cartuccia della batteria:
 - (1) Non toccare i terminali con alcun materiale conduttivo.
 - (2) Evitare di conservare la cartuccia della batteria in un contenitore insieme ad altri oggetti metallici quali chiodi, monete, e così via.
 - (3) Non esporre la cartuccia della batteria all'acqua o alla pioggia.
 Un cortocircuito della batteria può causare un grande flusso di corrente, un surriscaldamento, possibili ustioni e persino un guasto.
6. Non conservare e utilizzare l'utensile e la cartuccia della batteria in ubicazioni in cui la temperatura possa raggiungere o superare i 50 °C.
7. Non incenerire la cartuccia della batteria anche qualora sia gravemente danneggiata o completamente esaurita. La cartuccia della batteria può esplodere se a contatto con il fuoco.
8. Non inchiodare, tagliare, schiacciare, lanciare o far cadere la cartuccia della batteria, né farla urtare con forza contro un oggetto duro. Questi comportamenti potrebbero risultare in un incendio, calore eccessivo o un'esplosione.
9. Non utilizzare una batteria danneggiata.
10. Le batterie a ioni di litio contenute sono soggette ai requisiti del regolamento sul trasporto di merci pericolose (Dangerous Goods Legislation). Per trasporti commerciali, ad esempio da parte di terzi o spedizionieri, è necessario osservare dei requisiti speciali sull'imballaggio e sull'etichetta. Per la preparazione dell'articolo da spedire, è richiesta la consulenza di un esperto in materiali pericolosi. Attenersi anche alle normative nazionali, che potrebbero essere più dettagliate. Nasturare o coprire i contatti aperti e imballare la batteria in modo tale che non si possa muovere liberamente all'interno dell'imballaggio.
11. Quando si intende smaltire la cartuccia della batteria, rimuoverla dall'utensile e smaltirla in un luogo sicuro. Attenersi alle normative locali relative allo smaltimento della batteria.

12. **Utilizzare le batterie esclusivamente con i prodotti specificati da Makita.** L'installazione delle batterie in prodotti non compatibili potrebbe risultare in incendi, calore eccessivo, esplosioni o perdite di liquido elettrolitico.
13. **Se l'utensile non viene utilizzato per un periodo di tempo prolungato, la batteria deve essere rimossa dall'utensile.**
14. **Durante e dopo l'uso, la cartuccia della batteria potrebbe assorbire calore, che può causare ustioni o ustioni a bassa temperatura. Fare attenzione a come si maneggiano le cartucce delle batterie estremamente calde.**
15. **Non toccare i terminali dell'utensile subito dopo l'uso, in quanto potrebbero diventare estremamente caldi al punto da causare ustioni.**
16. **Evitare di far incastrare schegge, polveri o terreno nei terminali, nei fori e nelle scanalature della cartuccia della batteria.** In caso contrario, l'utensile o la cartuccia della batteria potrebbero riscaldarsi, prendere fuoco, scoppiare o guastarsi, causando ustioni o lesioni personali.
17. **A meno che l'utensile supporti l'uso in prossimità di linee elettriche ad alta tensione, non utilizzare la cartuccia della batteria in prossimità di linee elettriche ad alta tensione.** In caso contrario, si potrebbe causare un malfunzionamento o la rottura dell'utensile o della cartuccia della batteria.
18. **Tenere la batteria lontana dai bambini.**

CONSERVARE LE PRESENTI ISTRUZIONI.

⚠ATTENZIONE: Utilizzare solo batterie originali Makita. L'utilizzo di batterie Makita non originali, o di batterie che siano state alterate, potrebbe risultare nello scoppio della batteria, causando incendi, lesioni personali e danni. Inoltre, ciò potrebbe invalidare la garanzia Makita per l'utensile e il caricabatterie Makita.

Suggerimenti per preservare la durata massima della batteria

1. **Caricare la cartuccia della batteria prima che si scarichi completamente.** Smettere sempre di utilizzare l'utensile e caricare la cartuccia della batteria quando si nota che la potenza dell'utensile è diminuita.
2. **Non ricaricare mai una cartuccia della batteria completamente carica.** La sovraccarica riduce la vita utile della batteria.
3. **Caricare la cartuccia della batteria a una temperatura ambiente compresa tra 10 °C e 40 °C.** Lasciar raffreddare una cartuccia della batteria prima di caricarla.
4. **Quando non si utilizza la cartuccia della batteria, rimuoverla dall'utensile o dal caricabatterie.**
5. **Caricare la cartuccia della batteria se non la si è utilizzata per un periodo di tempo prolungato (più di sei mesi).**

Istruzioni importanti per la sicurezza dell'unità senza fili

1. **Non smontare né manomettere l'unità senza fili.**
2. **Tenere l'unità senza fili lontana dai bambini piccoli.** Qualora venga inghiottita accidentalmente, richiedere immediatamente assistenza medica.
3. **Utilizzare l'unità senza fili esclusivamente con utensili Makita.**
4. **Non esporre l'unità senza fili alla pioggia o a condizioni di bagnato.**
5. **Non utilizzare l'unità senza fili in luoghi in cui la temperatura superi i 50 °C.**
6. **Non utilizzare l'unità senza fili in luoghi in cui siano presenti strumenti medici, ad esempio pacemaker, nelle vicinanze.**
7. **Non utilizzare l'unità senza fili in luoghi in cui siano presenti dispositivi automatizzati nelle vicinanze.** In caso contrario, i dispositivi automatizzati potrebbero sviluppare un malfunzionamento o un errore.
8. **Non far funzionare l'unità senza fili in ubicazioni con temperatura ambiente elevata o in ubicazioni in cui potrebbero venire generati elettricità statica o disturbi elettrici.**
9. **L'unità senza fili può produrre campi elettromagnetici (EMF) ma questi ultimi non sono dannosi per l'utente.**
10. **L'unità senza fili è uno strumento preciso. Fare attenzione a non far cadere e a non colpire l'unità senza fili.**
11. **Evitare di toccare il terminale dell'unità senza fili a mani nude o con materiali metallici.**
12. **Rimuovere sempre la batteria sul prodotto quando si intende installare su quest'ultimo l'unità senza fili.**
13. **Quando si intende aprire il coperchio dell'alloggiamento, evitare ubicazioni in cui polvere e acqua potrebbero penetrare nell'alloggiamento. Mantenere sempre l'apertura di entrata dell'alloggiamento pulita.**
14. **Inserire sempre l'unità senza fili nella direzione corretta.**
15. **Non premere con forza eccessiva il pulsante di attivazione della comunicazione senza fili sull'unità senza fili, né premere il pulsante con un oggetto dal bordo affilato.**
16. **Chiudere sempre il coperchio dell'alloggiamento durante il funzionamento.**
17. **Non rimuovere l'unità senza fili dall'alloggiamento mentre viene fornita l'alimentazione all'utensile.** In caso contrario, si potrebbe causare un malfunzionamento dell'unità senza fili.
18. **Non rimuovere l'adesivo sull'unità senza fili.**
19. **Non applicare alcun adesivo sull'unità senza fili.**
20. **Non lasciare l'unità senza fili in un'ubicazione in cui potrebbero venire generati elettricità statica o disturbi elettrici.**
21. **Non lasciare l'unità senza fili in ubicazioni soggette a calore elevato, ad esempio in un'auto parcheggiata al sole.**
22. **Non lasciare l'unità senza fili in ubicazioni polverose o in ubicazioni in cui potrebbero venire generati gas corrosivi.**

23. **Una variazione improvvisa di temperatura potrebbe far bagnare di condensa l'unità senza fili. Non utilizzare l'unità senza fili fino alla completa asciugatura della condensa.**
24. **Quando si intende pulire l'unità senza fili, passarvi sopra delicatamente un panno morbido asciutto. Non utilizzare benzina per pulizia, diluenti, grasso conduttivo o simili.**
25. **Quando si intende riporre l'unità senza fili, conservarla nella custodia in dotazione o in un contenitore antistatico.**
26. **Non inserire alcun dispositivo diverso dall'unità senza fili Makita nell'alloggiamento presente sull'utensile.**
27. **Non utilizzare l'utensile con il coperchio dell'alloggiamento danneggiato. Qualora nell'alloggiamento penetrino acqua, polvere e sporco, potrebbero causare un malfunzionamento.**
28. **Non tirare né attorcigliare il coperchio dell'alloggiamento oltre il necessario. Qualora il coperchio si stacchi dall'utensile, riapplicarlo.**
29. **Qualora il coperchio dell'alloggiamento vada perso o venga danneggiato, sostituirlo.**

CONSERVARE LE PRESENTI ISTRUZIONI.

DESCRIZIONE DELLE PARTI

- Fig.1: 1. Unità di testa 2. Filtro antipolveri (HEPA) 3. Filtro in spugna 4. Prefiltro 5. Serbatoio

DESCRIZIONE DELLE FUNZIONI

⚠ATTENZIONE: Accertarsi sempre che l'elettrodomestico sia spento e che le cartucce delle batterie siano state rimosse, prima di regolare o di controllare il funzionamento dell'elettrodomestico.

Installazione o rimozione della cartuccia della batteria

⚠ATTENZIONE: Spegnerne sempre l'elettrodomestico prima di installare o rimuovere le cartucce delle batterie.

⚠ATTENZIONE: Quando si intende installare o rimuovere le cartucce delle batterie, mantenere saldamente l'aspiratore e le cartucce delle batterie. In caso contrario, si potrebbe farle scivolare dalle mani, causando danni all'aspiratore e alle cartucce delle batterie stesse o lesioni personali.

⚠ATTENZIONE: Fare attenzione a non far restare incastrate le dita durante l'apertura o la chiusura dello sportellino delle batterie. In caso contrario, si potrebbero causare lesioni personali.

L'aspiratore dispone di due alloggiamenti per batterie. Con due batterie identiche in parallelo, è possibile prolungare il tempo di funzionamento in uno o più utilizzi senza doversi arrestare per ricaricare le batterie. L'aspiratore funziona anche con una singola batteria, pertanto è possibile scegliere tra doppia batteria o singola batteria a seconda delle proprie esigenze.

- Fig.2: 1. Alloggiamento sinistro della batteria
2. Alloggiamento destro della batteria

Con doppia batteria

Il funzionamento continuo con due batterie consente un tempo di esercizio più lungo e una pulizia più efficiente. Quando la prima batteria si sta scaricando, l'aspiratore commuta automaticamente una fonte di alimentazione, pertanto continua a funzionare con la seconda batteria.

NOTA: L'alloggiamento sinistro della batteria (guardando il lato anteriore dell'aspiratore) ha la priorità rispetto all'alloggiamento destro della batteria. L'alloggiamento destro della batteria viene identificato come fonte di alimentazione solo quando non è installata una batteria nell'alloggiamento sinistro della batteria, oppure la batteria nell'alloggiamento sinistro della batteria è completamente scarica.

NOTA: È possibile rimuovere la batteria dall'alloggiamento sinistro della batteria e ricaricarla dopo che l'aspiratore ha commutato la sua fonte di alimentazione dall'alloggiamento sinistro della batteria a quello destro senza interrompere il funzionamento. Per ridare la priorità all'alloggiamento sinistro della batteria dopo aver installato una batteria ricaricata, riavviare l'aspiratore.

Con una singola batteria

È richiesta una sola batteria come fonte di alimentazione, nell'alloggiamento sinistro o destro della batteria. L'aspiratore stabilisce automaticamente quale alloggiamento della batteria sia disponibile, a seconda delle condizioni d'uso.

Installazione e disinstallazione

Per installare le cartucce delle batterie, sbloccare innanzitutto la chiusura, e aprire lo sportellino delle batterie. Quindi, inserire le cartucce delle batterie.

- Fig.3: 1. Chiusura 2. Sportellino delle batterie

Allineare le linguette sulle cartucce delle batterie con le scanalature nell'alloggiamento delle batterie, quindi far scivolare le batterie in sede. Inserirle completamente fino a quando si innestano in sede con un piccolo scatto.

Quindi, bloccare lo sportellino delle batterie.

- Fig.4: 1. Cartuccia della batteria 2. Pulsante

Per rimuovere le cartucce delle batterie, farle scivolare fuori dall'alloggiamento delle batterie mentre si tengono premuti i pulsanti sul lato anteriore delle cartucce.

⚠ATTENZIONE: Installare sempre la cartuccia della batteria fino in fondo. In caso contrario, potrebbe cadere accidentalmente dall'apparecchio, causando lesioni personali all'operatore o a chi gli è vicino.

⚠ATTENZIONE: Non installare forzatamente la cartuccia della batteria. Qualora la batteria non si inserisca scorrendo agevolmente, vuol dire che non viene inserita correttamente.

NOTA: Quando l'aspiratore commuta la fonte di alimentazione dalla prima batteria alla seconda, potrebbe richiedere un arresto temporaneo delle operazioni, causando una leggera perdita nella forza di aspirazione. Tenere presente che questo non denota un malfunzionamento, pertanto l'aspiratore recupera e riprende le operazioni subito dopo la pausa.

Indicazione della carica residua della batteria

Premere il pulsante di controllo sulla cartuccia della batteria per indicare la carica residua della batteria. Gli indicatori luminosi si illuminano per alcuni secondi.

► **Fig.5:** 1. Indicatori luminosi 2. Pulsante di controllo

Indicatori luminosi			Carica residua
■ Illuminato	□ Spento	◐ Lampeggiante	
■ ■ ■ ■			Dal 75% al 100%
■ ■ ■ □			Dal 50% al 75%
■ ■ □ □			Dal 25% al 50%
■ □ □ □			Dallo 0% al 25%
◐ □ □ □			Caricare la batteria.
■ ■ □ □	↑ □ □	↓ ■ ■	La batteria potrebbe essersi guastata.

NOTA: A seconda delle condizioni d'uso e della temperatura ambiente, l'indicazione potrebbe variare leggermente rispetto alla carica effettiva.

NOTA: Il primo indicatore luminoso (all'estremità sinistra) lampeggia quando il sistema di protezione della batteria è in funzione.

Indicatori delle batterie sul pannello di controllo

È possibile leggere la carica residua delle batterie sul pannello di controllo in qualsiasi momento. Premere il pulsante di controllo, e gli indicatori a sinistra e a destra indicano i livelli di carica delle batterie corrispondenti.

► **Fig.6:** 1. Indicatori delle batterie 2. Pulsante di controllo

► **Fig.7**

Stato dell'indicatore della batteria			Carica residua della batteria
■ Acceso	□ Spento	◐ Lampeggiante	
		◐	Dal 50% al 100%
		◐	Dal 20% al 50%

Stato dell'indicatore della batteria			Carica residua della batteria
■ Acceso	□ Spento	◐ Lampeggiante	
		◐	Dallo 0% al 20%
		◐	Caricare la batteria
		◐	Batteria non inserita

NOTA: Gli indicatori delle batterie vengono attivati anche quando l'aspiratore inizia a funzionare o commuta la sua fonte di alimentazione dall'una all'altra.

Sistema di protezione dell'elettrodomestico e della batteria

L'elettrodomestico è dotato di un sistema di protezione dell'elettrodomestico stesso e della batteria. Questo sistema interrompe automaticamente l'alimentazione al motore per prolungare la vita utile dell'elettrodomestico e della batteria. L'elettrodomestico si arresta automaticamente durante il funzionamento, qualora l'elettrodomestico stesso o la batteria vengano a trovarsi in una delle condizioni seguenti:

Protezione dal sovraccarico

Quando l'elettrodomestico o la batteria vengono utilizzati in modo tale da causare un assorbimento di corrente elevato in modo anomalo, l'elettrodomestico si arresta automaticamente. In questa circostanza, spegnere l'elettrodomestico e interrompere l'applicazione che ha causato il sovraccarico dell'elettrodomestico. Quindi, accendere l'elettrodomestico per ricominciare.

Protezione dal surriscaldamento

■ Acceso	◐ Lampeggiante
◐	◐

Quando l'elettrodomestico è surriscaldato si arresta automaticamente, ed entrambi gli indicatori delle batterie sinistro e destro lampeggiano. In questa circostanza, lasciar raffreddare l'elettrodomestico prima di riaccenderlo.

■ Acceso	◐ Lampeggiante
	◐

Quando la batteria è surriscaldata, l'elettrodomestico si arresta automaticamente, e uno degli indicatori di batteria surriscaldata lampeggia. In questa situazione, lasciar raffreddare la batteria prima di riaccendere l'elettrodomestico.

Protezione dalla sovrascarica

Quando la carica della batteria diventa bassa, l'elettrodomestico si arresta automaticamente. Qualora l'elettrodomestico non funzioni con l'operazione di commutazione, rimuovere le batterie dall'elettrodomestico e ricaricarle.

Protezione da altre cause

Il sistema di protezione è progettato anche per altre cause che potrebbero danneggiare l'elettrodomestico, e consente all'elettrodomestico di arrestarsi automaticamente. Adottare tutte le misure seguenti per rimuovere le cause, quando l'elettrodomestico è stato portato a un'interruzione temporanea o a un arresto del funzionamento.

1. Spegnerne l'elettrodomestico, quindi riaccenderlo per ricominciare.
2. Caricare la batteria o le batterie, o sostituirla/sostituirle con una batteria o delle batterie ricaricate.
3. Lasciar raffreddare l'elettrodomestico e la batteria o le batterie.

Qualora non si riscontri alcun miglioramento ripristinando il sistema di protezione, contattare il proprio centro di assistenza locale Makita.

Funzionamento dell'interruttore

Accensione dell'aspiratore

1. Ruotare il commutatore di standby sulla posizione "I" (ACCESO) o sulla posizione "AUTO" (ACCESO) per far sì che l'aspiratore sia pronto in modalità standby.
2. Premere il pulsante di accensione. Per commutare di nuovo sulla modalità standby, premere di nuovo il pulsante di accensione.

Spegnimento dell'aspiratore

Effettuare una delle operazioni seguenti.

- Premere il pulsante di accensione per disporre nuovamente l'aspiratore in modalità standby, quindi ruotare il commutatore di standby sulla posizione "O" (SPENTO).
- Ruotare il commutatore di standby sulla posizione "O" (SPENTO).

Regolazione della potenza di aspirazione

È possibile regolare la forza di aspirazione a seconda delle esigenze del lavoro.

- Per ridurre la potenza di aspirazione, ruotare la manopola di regolazione della forza di aspirazione verso sinistra.
- Per aumentare la potenza di aspirazione, ruotare la manopola di regolazione della forza di aspirazione verso destra.

► **Fig.8:** 1. Commutatore di standby 2. Pulsante di accensione 3. Manopola di regolazione della forza di aspirazione

Blocco e sblocco delle rotelle girevoli

È possibile bloccare le rotelle girevoli posteriori con dei freni, come aiuto per tenere fermo l'aspiratore.

Per bloccare la rotella girevole abbassare la leva del freno con la mano, e per sbloccarla sollevare la leva del freno.

► **Fig.9:** 1. Rotella girevole 2. Leva del freno 3. Posizione di MOVIMENTO LIBERO 4. Posizione di BLOCCO

NOTA: Quando si intende spostare l'aspiratore, accertarsi che la rotella girevole sia sbloccata. Qualora si sposti l'aspiratore con la rotella girevole in una posizione bloccata, si potrebbe danneggiare la rotella girevole.

Maniglia da trasporto

ATTENZIONE: Sollevare e trasportare l'elettrodomestico con cautela. La mancata osservanza di questa indicazione potrebbe causare lesioni personali o danni all'elettrodomestico.

Quando si intende trasportare l'aspiratore, trasportarlo afferrandolo per la maniglia sull'unità di testa. La maniglia è retrattile sull'unità di testa, quando non è in uso.

► **Fig.10**

MONTAGGIO

ATTENZIONE: Prima di effettuare qualsiasi intervento sull'elettrodomestico, accertarsi sempre che sia spento e che le cartucce delle batterie siano state rimosse.

ATTENZIONE: Indossare sempre una mascherina antipolvere durante il montaggio o la manutenzione.

Installazione del filtro antipolveri (HEPA) e del prefiltro (per polveri asciutte)

ATTENZIONE: Non raccogliere mai acqua o altri liquidi né polveri bagnate quando si utilizza il filtro antipolveri. La raccolta di oggetti di questo genere potrebbe causare la rottura del filtro antipolveri.

Per utilizzare il filtro antipolveri:

1. Posizionare il prefiltro nel serbatoio allineando gli indicatori delle posizioni di montaggio sul prefiltro e sul serbatoio.
2. Inserire il filtro in spugna nel prefiltro, quindi posizionare il filtro antipolveri sul filtro in spugna, allineando gli indicatori delle posizioni di montaggio sul filtro antipolveri e sul prefiltro.
3. Montare l'unità di testa sul serbatoio e fissarla con le chiusure a scatto di blocco.

► **Fig.11:** 1. Unità di testa 2. Filtro antipolveri (HEPA) 3. Filtro in spugna 4. Prefiltro 5. Serbatoio 6. Indicatore della posizione di montaggio

AVVISO: Prima di utilizzare il filtro antipolveri, accertarsi che il prefiltro e il filtro in spugna siano sempre utilizzati assieme. Non è consentito installare il filtro antipolveri da solo.

Installazione del pacchetto di carta

Accessorio opzionale

AVVERTIMENTO: Prima di utilizzare un pacchetto di carta, accertarsi che il prefiltro sia utilizzato assieme. Il mancato utilizzo congiunto del prefiltro potrebbe causare rumore e calore anomali, e risultare in un incendio.

AVVISO: Non raccogliere mai acqua o altri liquidi né polveri bagnate quando si utilizza un pacchetto di carta. La raccolta di oggetti di questo genere potrebbe causare la rottura del pacchetto di carta.

AVVISO: Prima di utilizzare un pacchetto di carta, accertarsi che il filtro antipolveri, il filtro in spugna e il prefiltro siano sempre utilizzati assieme.

1. Distendere un pacchetto di carta.
 2. Allineare l'apertura del pacchetto di carta con l'entrata delle polveri del serbatoio.
 3. Installare nel serbatoio il pacchetto di carta con la sua apertura in cartone agganciata al supporto del pacchetto di carta.
- **Fig.12:** 1. Pacchetto di carta 2. Apertura in cartone 3. Supporto del pacchetto di carta 4. Entrata delle polveri

Installazione del sacchetto in polietilene

Con un sacchetto in polietilene installato nel serbatoio, è possibile svuotare facilmente il serbatoio senza sporcarsi le mani.

Disporre un sacchetto in polietilene sul serbatoio, quindi far scivolare un lato dell'orlo superiore del sacchetto, alla sua estremità aperta, tra la piastra del supporto e la parete anteriore del serbatoio.

- **Fig.13:** 1. Piastra del supporto 2. Parete anteriore del serbatoio 3. Sacchetto in polietilene

Distendere gli altri orli superiori del sacchetto verso l'esterno sopra i bordi superiori del serbatoio. Posizionare il prefiltro sopra il sacchetto in polietilene, per fissare saldamente l'apertura del sacchetto.

- **Fig.14:** 1. Prefiltro

NOTA: È possibile utilizzare un comune sacchetto in polietilene disponibile in commercio. Si consiglia di utilizzarne uno di spessore pari o superiore a 0,04 mm.

NOTA: Una quantità eccessiva di polveri causa facilmente lo strappo del sacchetto; pertanto, evitare di superare la metà della capacità del sacchetto nel raccogliere le polveri.

Svuotamento del serbatoio con il sacchetto in polietilene

AVVERTIMENTO: Prima di svuotare il serbatoio, accertarsi sempre che l'aspiratore sia spento e che le cartucce delle batterie siano state rimosse. In caso contrario, si potrebbero causare scosse elettriche e gravi lesioni personali.

AVVISO: Evitare forti impatti sul serbatoio. Qualora si verifichi un forte impatto, si potrebbe causare la deformazione e il danneggiamento delle parti.

AVVISO: Svuotare il serbatoio almeno una volta al giorno, anche se la frequenza dipende dal volume delle polveri raccolte nel serbatoio. In caso contrario, la forza di aspirazione si riduce e il motore potrebbe rompersi.

AVVISO: Quando si intende svuotare il serbatoio, non afferrare i ganci o le chiusure a scatto. Qualora si afferrino i ganci o le chiusure a scatto, si potrebbe causarne la rottura.

Sganciare le chiusure a scatto di blocco e sollevare l'unità di testa rimuovendola dal serbatoio. Scuotere via le polveri dal prefiltro prima di sollevare il filtro per estrarlo dal serbatoio.

Quindi, rimuovere il sacchetto in polietilene dal serbatoio, chiudendo l'apertura del sacchetto con la mano.

- **Fig.15:** 1. Sacchetto in polietilene 2. Serbatoio

NOTA: Estrarre il sacchetto in polietilene dal serbatoio con cautela, per evitare che venga graffiato e strappato dai bordi all'interno del serbatoio.

NOTA: Svuotare il sacchetto in polietilene prima che sia completamente pieno. Una quantità eccessiva di polveri nel serbatoio potrebbe causare lo strappo del sacchetto in polietilene.

Installazione del gancio multiplo

Utilizzare il gancio multiplo per mantenere in sede un tubo flessibile, accessori e componenti aggiuntivi non utilizzati, per poterli estrarre rapidamente in base alle proprie preferenze.

- **Fig.16**

Posizionare il gancio multiplo sulla base di montaggio sul lato posteriore dell'aspiratore, disponendo i binari presenti sul gancio multiplo lungo le scanalature presenti sulla base di montaggio.

- **Fig.17:** 1. Gancio multiplo 2. Base di montaggio

Installazione dell'adattatore MAKPAC

Accessorio opzionale

Con un adattatore opzionale, è possibile installare sul lato superiore dell'aspiratore contenitori di stoccaggio collegabili e impilabili MAKPAC. I contenitori sono disponibili in svariati formati e stili, per adattarli alle proprie preferenze.

Posizionare il gancio della base di montaggio sulla maniglia dell'aspiratore, con la sua superficie di montaggio rivolta verso l'alto, quando la maniglia è ripiegata nella posizione chiusa.

- **Fig.18:** 1. Gancio della base di montaggio 2. Superficie di montaggio 3. Maniglia

Montare l'adattatore MAKPAC sul gancio della base di montaggio, quindi fissarli assieme con le quattro viti fornite in dotazione.

► **Fig.19:** 1. Adattatore MAKPAC 2. Gancio della base di montaggio 3. Vite

Sollevare la maniglia di spinta verso l'alto e serrare la manopola per preparare l'installazione dei contenitori MAKPAC sull'aspiratore.

► **Fig.20:** 1. Maniglia di spinta 2. Manopola

NOTA: Per i dettagli sull'installazione dei contenitori MAKPAC, fare riferimento alle istruzioni fornite con l'adattatore e i contenitori MAKPAC.

Installazione del tubo flessibile

AVVISO: Non piegare mai forzatamente il tubo flessibile né calpestarlo. Non spostare mai l'aspiratore tirando il tubo flessibile. Qualora si forzi, si calpesti o si tiri il tubo flessibile, si potrebbe causarne la rottura o la deformazione.

AVVISO: Quando si intende raccogliere rifiuti di grandi dimensioni, ad esempio trucioli di piallatura, polveri di calcestruzzo o rifiuti simili che non siano di piccole dimensioni, utilizzare il tubo flessibile con diametro interno di 38 mm (accessorio opzionale). L'uso di un tubo flessibile con diametro interno di 28 mm (accessorio opzionale) potrebbe causare l'ostruzione e il danneggiamento del tubo flessibile.

Collegamento all'aspiratore

Inserire l'estremità del tubo flessibile nell'entrata delle polveri (apertura di entrata del tubo flessibile) dell'aspiratore, quindi ruotarla in senso orario fino a innestarla in sede.

► **Fig.21:** 1. Tubo flessibile 2. Entrata delle polveri (apertura di entrata del tubo flessibile)

Collegamenti con gli utensili da lavoro utilizzati (Specifici in base alla nazione)

Collegando l'aspirapolvere a utensili da lavoro disponibili di qualsiasi genere che siano compatibili con l'aspiratore, quest'ultimo funziona come estrattore delle polveri per gli utensili elettrici utilizzati.

Selezionare uno dei risvolti anteriori o dei giunti (accessori opzionali) più idonei per il modello di utensile utilizzato. Collocare il risvolto o il giunto, se necessario, tra l'estremità anteriore del tubo flessibile dell'aspiratore e un'apertura di estrazione delle polveri dell'utensile utilizzato.

► **Fig.22:** 1. Risvolto anteriore o giunto 2. Tubo flessibile dell'aspiratore 3. Utensile elettrico 4. Aspirapolvere

Installazione o rimozione dei componenti aggiuntivi dell'aspiratore

ATTENZIONE: Dopo aver installato un accessorio, verificare se sia installato saldamente. Qualora l'accessorio non sia installato perfettamente, potrebbe staccarsi e causare lesioni personali.

Quando si intende utilizzare un accessorio privo di funzione di blocco

Accessorio opzionale

Inserire un componente aggiuntivo nella presa di aspirazione dell'aspiratore, premendolo e avvitandolo a mano in sede.

Dopo l'uso, girare e tirare a mano il componente aggiuntivo per staccarlo dalla presa di aspirazione.

► **Fig.23**

Componenti aggiuntivi dotati di funzione di blocco

Accessorio opzionale

AVVISO: Quando si intende installare un accessorio dotato di funzione di blocco, accertarsi di allineare il pulsante di sblocco con il gancio sull'accessorio. Qualora non siano allineati, l'accessorio non viene bloccato, e potrebbe staccarsi dall'aspiratore.

Inserire un componente aggiuntivo nella presa di aspirazione dell'aspiratore premendoli per unirli tra di loro fino a sentire uno scatto.

Per rimuovere il componente aggiuntivo, tirarlo via mentre si preme il pulsante di sblocco.

► **Fig.24:** 1. Presa di aspirazione dotata di funzione di blocco 2. Pulsante di sblocco 3. Accessorio dotato di funzione di blocco

NOTA: Un componente aggiuntivo dotato di funzione di blocco può venire installato solo nella presa di aspirazione dotata di funzione di blocco.

► **Fig.25:** 1. Accessorio dotato di funzione di blocco 2. Presa di aspirazione dotata di funzione di blocco 3. Presa di aspirazione senza funzione di blocco

Regolazione delle lunghezze della prolunga a scorrimento

Accessorio opzionale

È possibile combinare una prolunga a scorrimento per ottenere lunghezze inferiori e superiori. La prolunga a scorrimento consente di pulire in aree difficili da raggiungere, nonché di ottenere opzioni di posizionamento comode.

Tirare verso l'interno o verso l'esterno il tubo scorrevole per cambiare le lunghezze della prolunga mentre si tiene premuto il pulsante di scorrimento.

Rilasciare il pulsante di scorrimento per bloccare il tubo scorrevole sulla posizione desiderata.

► **Fig.26:** 1. Tubo scorrevole 2. Pulsante di scorrimento

FUNZIONE DI ATTIVAZIONE DELLA COMUNICAZIONE SENZA FILI

Cosa si può fare con la funzione di attivazione della comunicazione senza fili

La funzione di attivazione della comunicazione senza fili consente un funzionamento pulito e comodo. Collegando un utensile supportato all'aspiratore, è possibile far funzionare automaticamente l'aspiratore insieme all'attivazione dell'interruttore dell'utensile.

► Fig.27

AVVISO: Quando si intende utilizzare l'aspiratore con la funzione di attivazione della comunicazione senza fili, accertarsi di fare riferimento al manuale d'uso dell'utensile.

AVVISO: Non smontare né manomettere l'unità senza fili.

AVVISO: Per evitare che le polveri penetrino nell'alloggiamento dell'unità senza fili, chiuderne sempre saldamente il coperchio durante il funzionamento o la conservazione.

AVVISO: Non rimuovere l'unità senza fili mentre viene fornita l'alimentazione. In caso contrario, si potrebbe causare un malfunzionamento dell'unità senza fili.

AVVISO: Non premere con forza eccessiva il pulsante di attivazione della comunicazione senza fili, né premere il pulsante con un oggetto dal bordo affilato.

NOTA: L'attivazione della comunicazione senza fili necessita di utensili Makita dotati di unità senza fili.

NOTA: Prima dell'utilizzo iniziale della funzione di attivazione della comunicazione senza fili con ciascun utensile, è richiesta la registrazione dell'utensile. Una volta che la registrazione è stata completata con l'utensile, non è necessario eseguirla di nuovo, a meno che sia stata annullata.

NOTA: Prima della registrazione, accertarsi che l'unità senza fili sia inserita correttamente.

NOTA: Una singola unità senza fili può registrare fino a 10 collegamenti con altre unità senza fili. Qualora su una singola unità senza fili vengano registrate più di 10 ulteriori unità senza fili, quella registrata per prima viene annullata automaticamente.

NOTA: La posizione del pulsante di attivazione della comunicazione senza fili varia a seconda dell'utensile.

NOTA: L'aspiratore si avvia anche premendo il pulsante di accensione quando il commutatore di standby è impostato su "AUTO".

Tuttavia, il pulsante di accensione non è operativo, quando si utilizza la funzione di attivazione della comunicazione senza fili.

Installazione dell'unità senza fili

ATTENZIONE: Posizionare l'aspiratore su una superficie piana e stabile, quando si intende installare l'unità senza fili.

AVVISO: Pulire le polveri e lo sporco sull'aspiratore, prima di installare l'unità senza fili. Polveri o sporco potrebbero causare un malfunzionamento, qualora penetrino nell'alloggiamento dell'unità senza fili.

AVVISO: Per evitare il malfunzionamento causato dall'elettricità statica, toccare un materiale che consenta di scaricarla, ad esempio una parte metallica, prima di prendere in mano l'unità senza fili.

AVVISO: Quando si installa l'unità senza fili, accertarsi sempre che quest'ultima sia inserita nella direzione corretta e che il coperchio sia completamente chiuso.

1. Aprire il coperchio sull'aspiratore, come indicato nella figura.
► Fig.28: 1. Coperchio

2. Inserire l'unità senza fili nell'alloggiamento, quindi chiudere il coperchio.

Quando si inserisce l'unità senza fili, allineare le sporgenze con le rientranze presenti nell'alloggiamento.

► Fig.29: 1. Unità senza fili 2. Sporgenza
3. Coperchio 4. Rientranza

Quando si intende rimuovere l'unità senza fili, aprire lentamente il coperchio. I ganci sul retro del coperchio sollevano l'unità senza fili mentre si tira su il coperchio.

► Fig.30: 1. Unità senza fili 2. Gancio 3. Coperchio

Dopo aver rimosso l'unità senza fili, conservarla nella custodia in dotazione o in un contenitore antistatico.

AVVISO: Utilizzare sempre i ganci sul retro del coperchio quando si intende rimuovere l'unità senza fili. Qualora i ganci non si inseriscano nell'unità senza fili, chiudere completamente il coperchio e riaprirlo lentamente.

Registrazione dell'utensile per l'aspiratore

NOTA: Per la registrazione dell'utensile, è richiesto un utensile Makita che supporti la funzione di attivazione della comunicazione senza fili.

NOTA: Completare l'installazione dell'unità senza fili nello strumento prima di avviare la registrazione dell'utensile.

NOTA: Durante la registrazione dell'utensile, non premere l'interruttore a grilletto sull'utensile né attivare l'interruttore di accensione sull'aspiratore.

NOTA: Fare riferimento anche al manuale d'uso dell'utensile.

Se si desidera attivare l'aspiratore insieme all'attivazione dell'interruttore dell'utensile, completare anticipatamente la registrazione dell'utensile.

1. Installare le unità senza fili nell'aspiratore e nell'utensile, rispettivamente.

2. Installare le batterie nell'aspiratore e nell'utensile.

3. Impostare il commutatore di standby sull'aspiratore su "AUTO".

► Fig.31: 1. Commutatore di standby

4. Premere il pulsante di attivazione della comunicazione senza fili sull'aspiratore per 3 secondi, fino a quando l'indicatore luminoso di attivazione della comunicazione senza fili lampeggia in verde. Quindi, premere il pulsante di attivazione della comunicazione senza fili sull'utensile in modo analogo.

► **Fig.32:** 1. Pulsante di attivazione della comunicazione senza fili 2. Indicatore luminoso di attivazione della comunicazione senza fili

Se l'aspiratore e l'utensile sono collegati con esito positivo, gli indicatori luminosi di attivazione della comunicazione senza fili si illuminano in verde per 2 secondi, quindi iniziano a lampeggiare in blu.

NOTA: Gli indicatori luminosi di attivazione della comunicazione senza fili smettono di lampeggiare in verde dopo 20 secondi. Premere il pulsante di attivazione della comunicazione senza fili sull'utensile mentre l'indicatore luminoso di attivazione della comunicazione senza fili sull'aspiratore sta lampeggiando. Qualora l'indicatore luminoso di attivazione della comunicazione senza fili non lampeggi in verde, premere brevemente e tenere premuto di nuovo il pulsante di attivazione della comunicazione senza fili.

NOTA: Quando si intende effettuare la registrazione di due o più utensili per l'aspiratore, completare la registrazione degli utensili uno alla volta.

Avvio della funzione di attivazione della comunicazione senza fili

NOTA: Per l'attivazione della comunicazione senza fili, completare la registrazione dell'utensile per l'aspiratore.

NOTA: Posizionare sempre l'aspiratore in modo da poter vedere lo stato dell'indicatore luminoso di attivazione della comunicazione senza fili.

NOTA: Fare riferimento anche al manuale d'uso dell'utensile.

Dopo aver registrato un utensile sull'aspiratore, quest'ultimo entra in funzione automaticamente insieme all'attivazione dell'interruttore dell'utensile.

1. Installare le unità senza fili nell'aspiratore e nell'utensile, rispettivamente.
2. Installare le batterie nell'aspiratore e nell'utensile.
3. Collegare il tubo flessibile dell'aspiratore all'utensile.

► **Fig.33**

4. Impostare il commutatore di standby sull'aspiratore su "AUTO".

► **Fig.34:** 1. Commutatore di standby

5. Premere brevemente il pulsante di attivazione della comunicazione senza fili sull'utensile. L'indicatore luminoso di attivazione della comunicazione senza fili lampeggia in blu.

► **Fig.35:** 1. Pulsante di attivazione della comunicazione senza fili 2. Indicatore luminoso di attivazione della comunicazione senza fili

6. Accendere l'utensile. Verificare se l'aspiratore sia in funzione quando l'utensile sta funzionando.

ATTENZIONE: Prima di iniziare un lavoro con l'utensile, controllare sempre se la funzione di attivazione della comunicazione senza fili sia operativa.

Per arrestare l'attivazione della comunicazione senza fili, premere il pulsante di attivazione della comunicazione senza fili sull'utensile, oppure impostare il commutatore di standby sull'aspiratore sulla posizione "I" oppure "O".

NOTA: L'indicatore luminoso di attivazione della comunicazione senza fili sull'utensile smette di lampeggiare in blu quando non viene effettuata alcuna operazione per 2 ore. In questo caso, impostare il commutatore di standby sull'aspiratore su "AUTO" e premere di nuovo il pulsante di attivazione della comunicazione senza fili sull'utensile.

NOTA: L'aspiratore si avvia o si arresta con un ritardo. Si verifica un ritardo temporale quando l'aspiratore rileva l'utilizzo dell'interruttore sull'utensile.

NOTA: La distanza di trasmissione dell'unità senza fili può variare a seconda dell'ubicazione e della situazione circostante.

NOTA: Quando due o più utensili sono registrati su un unico aspiratore, quest'ultimo potrebbe iniziare a funzionare anche se non si accende l'utensile, a causa di un altro utente che sta utilizzando la funzione di attivazione della comunicazione senza fili.

Annullamento della registrazione dell'utensile per l'aspiratore

Quando si intende annullare la registrazione dell'utensile per l'aspiratore, attenersi alla procedura seguente.

1. Installare le unità senza fili nell'aspiratore e nell'utensile, rispettivamente.
2. Installare le batterie nell'aspiratore e nell'utensile.
3. Impostare il commutatore di standby sull'aspiratore su "AUTO".

► **Fig.36:** 1. Commutatore di standby

4. Premere il pulsante di attivazione della comunicazione senza fili sull'aspiratore per 6 secondi. L'indicatore luminoso di attivazione della comunicazione senza fili lampeggia in verde, quindi diventa rosso. Dopodiché, premere il pulsante di attivazione della comunicazione senza fili sull'utensile in modo analogo.

► **Fig.37:** 1. Pulsante di attivazione della comunicazione senza fili 2. Indicatore luminoso di attivazione della comunicazione senza fili

Se l'annullamento è stato eseguito con esito positivo, gli indicatori luminosi di attivazione della comunicazione senza fili si illuminano in rosso per 2 secondi, quindi iniziano a lampeggiare in blu.

NOTA: Gli indicatori luminosi di attivazione della comunicazione senza fili smettono di lampeggiare in rosso dopo 20 secondi. Premere il pulsante di attivazione della comunicazione senza fili sull'utensile mentre l'indicatore luminoso di attivazione della comunicazione senza fili sull'aspiratore sta lampeggiando. Qualora l'indicatore luminoso di attivazione della comunicazione senza fili non lampeggi in rosso, premere brevemente e tenere premuto di nuovo il pulsante di attivazione della comunicazione senza fili.

Cancellazione di tutte le registrazioni degli utensili

È possibile cancellare tutte le registrazioni degli utensili dall'aspiratore nel modo seguente.

► **Fig.38:** 1. Commutatore di standby 2. Pulsante di attivazione della comunicazione senza fili
3. Indicatore luminoso di attivazione della comunicazione senza fili

1. Installare l'unità senza fili sull'aspiratore.
2. Installare le batterie nell'aspiratore.
3. Impostare il commutatore di standby su "AUTO".
4. Tenere premuto il pulsante di attivazione della comunicazione senza fili per circa 6 secondi, fino a quando l'indicatore luminoso di attivazione della comunicazione senza fili lampeggia in rosso (circa due volte al secondo).

5. Quando l'indicatore luminoso di attivazione della comunicazione senza fili inizia a lampeggiare in rosso, rilasciare il dito dal pulsante di attivazione della comunicazione senza fili. Quindi, tenere premuto di nuovo il pulsante di attivazione della comunicazione senza fili per circa 6 secondi.









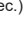

6. Quando l'indicatore luminoso di attivazione della comunicazione senza fili inizia a lampeggiare rapidamente (circa 5 volte al secondo) in rosso, rilasciare il dito dal pulsante di attivazione della comunicazione senza fili. Quando l'indicatore luminoso di attivazione della comunicazione senza fili si illumina in rosso e successivamente si spegne, tutte le registrazioni degli utensili sono state cancellate.

NOTA: Qualora l'indicatore luminoso di attivazione della comunicazione senza fili non lampeggi in rosso, premere brevemente di nuovo il pulsante di attivazione della comunicazione senza fili e riprovare.

Descrizione dello stato dell'indicatore luminoso di attivazione della comunicazione senza fili

► **Fig.39:** 1. Pulsante di attivazione della comunicazione senza fili 2. Indicatore luminoso di attivazione della comunicazione senza fili

L'indicatore luminoso di attivazione della comunicazione senza fili mostra lo stato della funzione di attivazione della comunicazione senza fili. Per informazioni sul significato dello stato dell'indicatore luminoso, fare riferimento alla tabella seguente.

Stato	Indicatore luminoso di attivazione della comunicazione senza fili			Descrizione
	Colore	 Accesso	 Lampeggiante	
Standby	Blu		Aspiratore: continua Utensile: 2 ore	In attesa di registrazione dell'utensile, oppure la funzione di attivazione della comunicazione senza fili è disponibile. L'indicatore luminoso sull'aspiratore lampeggia quando il commutatore di standby è impostato su AUTO. L'indicatore luminoso sull'utensile lampeggia quando viene premuto il pulsante di attivazione della comunicazione senza fili. L'indicatore luminoso sull'utensile si spegne automaticamente quando non viene eseguita alcuna operazione per 2 ore.
			Quando l'utensile è in funzione.	È disponibile l'attivazione della funzione di comunicazione senza fili dell'aspiratore e l'utensile è in funzione.
Registrazione dell'utensile	Verde		20 secondi	Pronto alla registrazione dell'utensile. Ricerca dell'utensile da registrare in corso.
			2 secondi	La registrazione dell'utensile è stata completata. L'indicatore luminoso di attivazione della comunicazione senza fili inizia a lampeggiare in blu.
Annullamento/cancellazione della registrazione dell'utensile in corso	Rosso	 (lento: 2 volte al sec.)	20 secondi	Pronto alla cancellazione della registrazione dell'utensile. Ricerca dell'utensile da annullare in corso.
		 (veloce: 5 volte al sec.)	Quando viene tenuto premuto il pulsante di attivazione della comunicazione senza fili.	Pronto a cancellare tutte le registrazioni degli utensili.
			2 secondi	La registrazione dell'utensile è stata annullata/cancellata. L'indicatore luminoso di attivazione della comunicazione senza fili inizia a lampeggiare in blu.
Altro	Rosso		3 secondi	L'alimentazione è fornita all'unità senza fili e la funzione di attivazione della comunicazione senza fili si sta avviando.
	Spento	-	-	Il commutatore di standby non è impostato su "AUTO".

Risoluzione dei problemi per la funzione di attivazione della comunicazione senza fili

Prima di richiedere riparazioni, eseguire un'ispezione personalmente. Qualora si rilevi un problema che non è illustrato nel manuale, non tentare di smontare l'utensile. Rivolgersi, invece, a un centro di assistenza autorizzato Makita, utilizzando sempre pezzi di ricambio Makita per le riparazioni.

Stato di anomalia	Causa probabile (guasto)	Azione correttiva
L'indicatore luminoso di attivazione della comunicazione senza fili non si illumina o non lampeggia.	L'unità senza fili non è installata nell'aspiratore e/o nell'utensile. L'unità senza fili è installata in modo errato nell'aspiratore e/o nell'utensile.	Installare l'unità senza fili correttamente.
	Il terminale dell'unità senza fili e/o l'alloggiamento sono sporchi.	Asportare delicatamente polveri e sporco presenti sul terminale dell'unità senza fili e pulire l'alloggiamento dell'aspiratore e/o dell'utensile.
	Il pulsante di attivazione della comunicazione senza fili sull'utensile non è stato premuto.	Premere brevemente il pulsante di attivazione della comunicazione senza fili sull'utensile.
	Il commutatore di standby sull'aspiratore non è impostato su "AUTO".	Impostare il commutatore di standby sull'aspiratore su "AUTO".
	Alimentazione assente	Fornire l'alimentazione all'utensile e all'aspiratore.
Impossibile completare con esito positivo la registrazione dell'utensile o l'annullamento della registrazione dell'utensile.	L'unità senza fili non è installata nell'aspiratore e/o nell'utensile. L'unità senza fili è installata in modo errato nell'aspiratore e/o nell'utensile.	Installare l'unità senza fili correttamente.
	Il terminale dell'unità senza fili e/o l'alloggiamento sono sporchi.	Asportare delicatamente polveri e sporco presenti sul terminale dell'unità senza fili e pulire l'alloggiamento dell'aspiratore e/o dell'utensile.
	Il commutatore di standby sull'aspiratore non è impostato su "AUTO".	Impostare il commutatore di standby sull'aspiratore su "AUTO".
	Alimentazione assente	Fornire l'alimentazione all'utensile e all'aspiratore.
	Funzionamento errato	Premere brevemente il pulsante di attivazione della comunicazione senza fili ed eseguire di nuovo le procedure di registrazione o di annullamento dell'utensile.
	L'utensile e l'aspiratore sono lontani l'uno dall'altro (fuori dalla portata di trasmissione).	Avvicinare l'utensile e l'aspiratore tra di loro. La distanza massima di trasmissione è di circa 10 m, ma può variare in base alle circostanze.
	Prima di completare la registrazione o l'annullamento dell'utensile: - l'interruttore dell'utensile è attivato, oppure; - il pulsante di accensione sull'aspiratore è attivato.	Premere brevemente il pulsante di attivazione della comunicazione senza fili ed eseguire di nuovo le procedure di registrazione o di annullamento dell'utensile.
	Le procedure di registrazione per l'utensile o per l'aspiratore non sono state completate.	Eseguire le procedure di registrazione dell'utensile sia per l'utensile che per l'aspiratore allo stesso tempo.
Sono presenti disturbi radio dovuti ad altri apparecchi che generano onde radio ad alta intensità.	Tenere l'utensile e l'aspiratore lontani da apparecchi quali dispositivi Wi-Fi e forni a microonde.	

Stato di anomalia	Causa probabile (guasto)	Azione correttiva
L'aspiratore non entra in funzione insieme all'attivazione dell'interruttore dell'utensile.	L'unità senza fili non è installata nell'aspiratore e/o nell'utensile. L'unità senza fili è installata in modo errato nell'aspiratore e/o nell'utensile.	Installare l'unità senza fili correttamente.
	Il terminale dell'unità senza fili e/o l'alloggiamento sono sporchi.	Asportare delicatamente polveri e sporco presenti sul terminale dell'unità senza fili e pulire l'alloggiamento dell'aspiratore e/o dell'utensile.
	Il pulsante di attivazione della comunicazione senza fili sull'utensile non è stato premuto.	Premere brevemente il pulsante di attivazione della comunicazione senza fili e accertarsi che l'indicatore luminoso di attivazione della comunicazione senza fili stia lampeggiando in blu.
	Il commutatore di standby sull'aspiratore non è impostato su "AUTO".	Impostare il commutatore di standby sull'aspiratore su "AUTO".
	Sull'aspiratore sono registrati più di 10 utensili.	Effettuare di nuovo la registrazione dell'utensile. Qualora sull'aspiratore siano registrati più di 10 utensili, l'utensile registrato per primo viene annullato automaticamente.
	L'aspiratore ha cancellato tutte le registrazioni degli utensili.	Effettuare di nuovo la registrazione dell'utensile.
	Alimentazione assente	Fornire l'alimentazione all'utensile e all'aspiratore.
	L'utensile e l'aspiratore sono lontani l'uno dall'altro (fuori dalla portata di trasmissione).	Avvicinare l'utensile e l'aspiratore tra di loro. La distanza massima di trasmissione è di circa 10 m, ma può variare in base alle circostanze.
	Sono presenti disturbi radio dovuti ad altri apparecchi che generano onde radio ad alta intensità.	Tenere l'utensile e l'aspiratore lontani da apparecchi quali dispositivi Wi-Fi e forni a microonde.
L'aspiratore è in funzione mentre l'utensile non sta funzionando.	Altri utenti stanno utilizzando l'attivazione della comunicazione senza fili dell'aspiratore con i loro utensili.	Disattivare il pulsante di attivazione della comunicazione senza fili degli altri utensili oppure annullare la registrazione degli altri utensili.
Non è possibile cancellare tutte le registrazioni degli utensili nell'aspiratore.	Pressione del pulsante della comunicazione senza fili sull'utensile.	Premere il pulsante della comunicazione senza fili sull'aspiratore per cancellare tutte le registrazioni degli utensili.
	Il commutatore di standby sull'aspiratore non è impostato su "AUTO".	Impostare il commutatore di standby sull'aspiratore su "AUTO".
	Non si sta tenendo premuto correttamente il pulsante di attivazione della comunicazione senza fili.	Tenere premuto il pulsante di attivazione della comunicazione senza fili per più di 6 secondi, quindi rilasciarlo quando l'indicatore luminoso di attivazione della comunicazione senza fili lampeggia in rosso. Tenere premuto di nuovo il pulsante di attivazione della comunicazione senza fili per più di 6 secondi, fino a quando il pulsante di attivazione della comunicazione senza fili lampeggia rapidamente in rosso, quindi rilasciare il pulsante.

MANUTENZIONE

⚠ATTENZIONE: Prima di tentare di eseguire interventi di ispezione o manutenzione, accertarsi sempre che l'elettrodomestico sia spento e che le cartucce delle batterie siano state rimosse.

AVVISO: Non utilizzare mai benzina, benzene, solventi, alcol o altre sostanze simili. In caso contrario, si potrebbero causare scolorimenti, deformazioni o crepe.

Per preservare la SICUREZZA e l'AFFIDABILITÀ del prodotto, le riparazioni e qualsiasi altro intervento di manutenzione e di regolazione devono essere eseguiti da un centro di assistenza autorizzato Makita, utilizzando sempre ricambi Makita.

Conservazione degli accessori

È possibile agganciare e riporre nel gancio multiplo sul retro dell'aspiratore gli accessori e i componenti aggiuntivi non utilizzati, quali bocchette e spazzole.

► **Fig.40:** 1. Gancio multiplo 2. Accessori e componenti aggiuntivi non utilizzati

È possibile posizionare i tubi (con un fermo opzionale installato) nell'apposito supporto, quando non si intende utilizzare l'aspiratore per un breve periodo di tempo.

► **Fig.41:** 1. Fermo (accessorio opzionale)
2. Fermatubo

È possibile avvolgere e riporre un tubo flessibile in grandi anelli intorno all'alloggiamento o alla maniglia dell'aspiratore. Collegare assieme entrambe le estremità del tubo flessibile per creare degli anelli, quindi agganciare gli anelli sulla maniglia sollevata. In alternativa, mantenere l'estremità di base del tubo flessibile installata nell'entrata per il tubo flessibile, e appendere gli anelli sul gancio multiplo con l'estremità libera legata.

► **Fig.42**

► **Fig.43**

Pulizia del filtro antipolveri (HEPA) e del prefiltra

Pulire il filtro antipolveri, il prefiltra e il filtro in spugna a intervalli regolari, poiché i filtri e il filtro in spugna intasati possono causare prestazioni di aspirazione scadenti.

Pulire e scuotere via con le mani le polveri dai filtri e dal filtro in spugna regolarmente.

► **Fig.44:** 1. Prefiltra

► **Fig.45:** 1. Filtro in spugna 2. Filtro antipolveri (HEPA)

Ogni tanto, lavare il filtro antipolveri in acqua, risciacquarlo e farlo asciugare completamente all'ombra prima dell'uso. Non lavare mai i filtri in lavatrice.

► **Fig.46**

NOTA: Non strofinare né graffiare il filtro antipolveri, il prefiltra o il filtro in spugna con oggetti duri, quali spazzole o spatole.

NOTA: I filtri si usurano con il passare del tempo. Si consiglia di avere a disposizione dei ricambi per i filtri.

ACCESSORI OPZIONALI

⚠ATTENZIONE: Questi accessori o componenti aggiuntivi sono consigliati per l'uso con l'utensile Makita specificato nel presente manuale. L'impiego di altri accessori o componenti aggiuntivi può costituire un rischio di lesioni alle persone. Utilizzare gli accessori o i componenti aggiuntivi solo per il loro scopo prefissato.

Per ottenere ulteriori dettagli relativamente a questi accessori, rivolgersi a un centro di assistenza Makita.

- Tubo flessibile
- Risvolto anteriore (22, 24, 38)
- Tubo diritto
- Prolunga
- Bocchetta per angoli
- Spazzola rotonda
- Filtro antipolveri, HEPA (per polveri asciutte)
- Filtro in spugna
- Prefiltra
- Gruppo bocchetta
- Tubo piegato
- Sacchetto in polietilene
- Pacchetto di carta
- Adattatore MAKPAC
- Unità senza fili
- Batteria e caricabatterie originali Makita

NOTA: Alcuni articoli nell'elenco potrebbero essere inclusi nell'imballaggio dell'utensile come accessori standard. Tali articoli potrebbero variare da nazione a nazione.

WAARSCHUWING

- Dit apparaat is niet bedoeld voor gebruik door personen, waaronder kinderen, met een verminderd lichamelijk, zintuiglijk of geestelijk vermogen, of gebrek aan kennis en ervaring.
- Kinderen dienen onder toezicht te staan om ervoor te zorgen dat zij niet met de stofzuiger spelen.
- Zie het hoofdstuk "TECHNISCHE GEGEVENS" voor de typeaanduiding van de accu.
- Zie het hoofdstuk "De accu aanbrengen en verwijderen" voor hoe u de accu kunt aanbrengen en verwijderen.
- Wanneer u de accu wilt weggooien, verwijdert u de accu vanaf het gereedschap en gooit u hem op een veilige manier weg. Volg bij het weggooien van de accu de plaatselijke voorschriften.
- Als u het gereedschap gedurende een lange tijd niet denkt te gaan gebruiken, moet de accu vanaf het gereedschap worden verwijderd.
- Voorkom kortsluiting van de accu.
- Zie het hoofdstuk "ONDERHOUD" voor de benodigde informatie over de voorzorgsmaatregelen tijdens onderhoud door de gebruiker.

TECHNISCHE GEGEVENS

Model:	VC002GL	VC004GL
Standaard type filter	Poedfilter (voor droog stof)	
Maximaal luchtvolume (met BL4040 en slang met $\varnothing 38$ mm en lengte 2,5 m)	2,7 m ³ /min	
Vacuüm (met BL4040 en slang met $\varnothing 38$ mm en lengte 2,5 m)	23 kPa	
Opneembare inhoud	8 L	15 L
Afmetingen (l x b x h)	366 mm x 334 mm x 425 mm	366 mm x 334 mm x 475 mm
Nominale spanning	D.C. 36 V - 40 V max	
Nettogewicht	8,3 - 11,4 kg	8,6 - 11,7 kg
Beschermingsklasse	IPX4	

- In verband met ononderbroken research en ontwikkeling, behouden wij ons het recht voor de bovenstaande technische gegevens zonder voorafgaande kennisgeving te wijzigen.
- De technische gegevens van de accu kunnen van land tot land verschillen.
- Het gewicht is exclusief bijgeleverde accessoires, maar inclusief de accu('s). Het laagste en hoogste gecombineerde gewicht van het apparaat en de accu('s) wordt vermeld in de tabel.
- Voor nat stof zijn de vlotter en het waterfilter of doekfilter vereist.

Toepasselijke accu's en laders

Accu	BL4020 / BL4025 / BL4040* / BL4050F* / BL4080F* * : Aanbevolen accu
Lader	DC40RA / DC40RB / DC40RC

- Sommige van de hierboven vermelde accu's en laders zijn mogelijk niet leverbaar afhankelijk van waar u woont.

⚠ WAARSCHUWING: Gebruik uitsluitend de accu's en laders die hierboven worden genoemd. Gebruik van enige andere accu of lader kan leiden tot letsel en/of brand.

Symbolen

Hieronder staan de symbolen die voor het gereedschap kunnen worden gebruikt. Zorg ervoor dat u de betekenis ervan kent voordat u het gereedschap gaat gebruiken.



Lees de gebruiksaanwijzing.



Wees vooral voorzichtig en let goed op.



Waarschuwing: De stofzuiger kan schadelijk stof bevatten.



Ga nooit op de stofzuiger staan.



Stofklasse L (licht). De stofzuigers zijn in staat om stofklasse L op te zuigen. Houd u aan de nationale regelgeving met betrekking tot stof en veiligheid en gezondheid op de werkplek.



Alleen voor EU-landen
Als gevolg van de aanwezigheid van schadelijke componenten in het apparaat, kunnen oude elektrische en elektronische apparaten, accu's en batterijen negatieve gevolgen hebben voor het milieu en de gezondheid van mensen.
Gooi elektrische en elektronische apparaten en accu's niet met het huisvuil weg!
In overeenstemming met de Europese richtlijn inzake oude elektrische en elektronische apparaten en inzake accu's en batterijen en oude accu's en batterijen, alsmede de toepassing daarvan binnen de nationale wetgeving, dienen oude elektrische apparaten, accu's en batterijen gescheiden te worden opgeslagen en te worden ingeleverd bij een apart inzamelingspunt voor huishoudelijk afval dat de milieubeschermingsvoorschriften in acht neemt.
Dit wordt op het apparaat aangegeven door het symbool van een doorgekruiste afvalcontainer.

Gebruiksdoelinden

Het apparaat is bedoeld om droog stof te verzamelen. Het apparaat is geschikt voor commercieel gebruik, bijvoorbeeld in hotels, scholen, ziekenhuizen, fabrieken, winkels, kantoren en verhuurbedrijven.

Geluidsniveau

De typische, A-gewogen geluidsniveaus zijn gemeten volgens EN60335-2-69:

Model VC002GL

Geluidsdruk niveau (L_{pA}): 70 dB (A) of lager
Onzekerheid (K): 2,5 dB (A)

Model VC004GL

Geluidsdruk niveau (L_{pA}): 70 dB (A) of lager
Onzekerheid (K): 2,5 dB (A)

Het geluidsniveau kan tijdens gebruik hoger worden dan 80 dB (A).

OPMERKING: De opgegeven geluidsemissiewaarde(n) is/zijn gemeten volgens een standaardtestmethode en kan/kunnen worden gebruikt om dit gereedschap te vergelijken met andere gereedschappen.

OPMERKING: De opgegeven geluidsemissiewaarde(n) kan/kunnen ook worden gebruikt voor een beoordeling vooraf van de blootstelling.

⚠️ WAARSCHUWING: Draag gehoorbescherming.

⚠️ WAARSCHUWING: De geluidsemissie tijdens het gebruik van het elektrisch gereedschap in de praktijk kan verschillen van de opgegeven waarde(n) afhankelijk van de manier waarop het gereedschap wordt gebruikt, met name van het soort werkstuk waarmee wordt gewerkt.

⚠️ WAARSCHUWING: Zorg ervoor dat veiligheidsmaatregelen worden getroffen ter bescherming van de gebruiker die zijn gebaseerd op een schatting van de blootstelling onder praktijkomstandigheden (rekening houdend met alle fasen van de bedrijfscyclus, zoals de tijdsduur gedurende welke het gereedschap is uitgeschakeld en stationair draait, naast de ingeschakelde tijdsduur).

Trilling

De totale trillingswaarde (triaxiale vectorsom) zoals vastgesteld volgens EN60335-2-69:

Model VC002GL

Trillingsemissie ($a_{h,M}$): 2,5 m/s² of lager
Onzekerheid (K): 1,5 m/s²

Model VC004GL

Trillingsemissie ($a_{h,M}$): 2,5 m/s² of lager
Onzekerheid (K): 1,5 m/s²

OPMERKING: De totale trillingswaarde(n) is/zijn gemeten volgens een standaardtestmethode en kan/kunnen worden gebruikt om dit gereedschap te vergelijken met andere gereedschappen.

OPMERKING: De opgegeven totale trillingswaarde(n) kan/kunnen ook worden gebruikt voor een beoordeling vooraf van de blootstelling.

⚠️ WAARSCHUWING: De trillingsemissie tijdens het gebruik van het elektrisch gereedschap in de praktijk kan verschillen van de opgegeven waarde(n) afhankelijk van de manier waarop het gereedschap wordt gebruikt, met name van het soort werkstuk waarmee wordt gewerkt.

⚠️ WAARSCHUWING: Zorg ervoor dat veiligheidsmaatregelen worden getroffen ter bescherming van de gebruiker die zijn gebaseerd op een schatting van de blootstelling onder praktijkomstandigheden (rekening houdend met alle fasen van de bedrijfscyclus, zoals de tijdsduur gedurende welke het gereedschap is uitgeschakeld en stationair draait, naast de ingeschakelde tijdsduur).

EG-verklaring van conformiteit

Alleen voor Europese landen

De EG-verklaring van conformiteit is bijgevoegd als Bijlage A bij deze gebruiksaanwijzing.

VEILIGHEIDSWAARSCHUWINGEN

Veiligheidswaarschuwingen voor een accustofzuiger

⚠️ WAARSCHUWING: BELANGRIJK! LEES VÓÓR GEBRUIK alle veiligheidswaarschuwingen en alle instructies ZORGVULDIG DOOR. Het niet volgen van de waarschuwingen en instructies kan leiden tot elektrische schokken, brand en/of ernstig letsel.

1. Bedenk vóór gebruik dat deze stofzuiger moet worden gebruikt door mensen die goed zijn geïnstrueerd in het gebruik van deze stofzuiger.
2. Vóór gebruik moeten gebruikers informatie, instructie en training krijgen over het gebruik van het apparaat en de materialen waarvoor het moet worden gebruikt, inclusief de veilige werkwijze voor het verwijderen en weggooien van het verzamelde materiaal.

3. Verzeker u er vóór gebruik altijd van dat de filters correct zijn aangebracht. Gebruik de stofzuiger niet zonder dat de filters zijn aangebracht. Vervang een beschadigd filter onmiddellijk. Wij adviseren u enkele filters op voorraad te houden aangezien dit verbruiksartikelen zijn.
4. **VOORKOM ONBEDOELD STARTEN.** Verzeker u ervan dat de schakelaar in de uit-stand staat voordat u de accu('s) aanbrengt.
5. Probeer niet brandbare materialen, vuurwerk, brandende sigaretten, hete as, hete metaaldeeltjes, scherpe materialen, zoals scheermesjes, naalden, gebroken glas en dergelijke, op te zuigen.
6. **GEBRUIK DE STOFZUIGER NOOIT IN DE BUURT VAN BENZINE, GAS, VERF, LIJM OF ANDERE UITERST EXPLOSIEVE STOFFEN.** De schakelaar produceert vonken bij het in- en uitschakelen. En dat doet ook de collector in de motor tijdens gebruik. Hierdoor kan een gevaarlijke explosie worden veroorzaakt.
7. Zuig nooit giftige, kankerverwekkende, ontbrandbare of andere gevaarlijke stoffen op, zoals asbest, arsenicum, barium, beryllium, lood, pesticiden en andere gezondheidsbedrigende materialen.
8. Plaats de stofzuiger altijd op een horizontale en vlakke ondergrond om te voorkomen dat hij omvalt of onbedoeld beweegt.
9. Gebruik de stofzuiger nooit buitenshuis in de regen.
10. In Finland mag dit apparaat niet buitenshuis worden gebruikt bij lage temperaturen.
11. Gebruik hem niet dichtbij een warmtebron (fornuis, enz.).
12. Als de uitlaatlucht terugstroomt in het vertrek, is het noodzakelijk voor voldoende luchtverversing in het vertrek te zorgen. Raadpleeg hiervoor de nationale regelgeving.
13. Blokkeer de aanzuigopening/uitlaat/koelventilatieopeningen niet. Deze ventilatieopeningen zorgen voor de koeling van de motor. Blokkering ervan moet zorgvuldig worden voorkomen omdat anders de motor zal doorbranden als gevolg van gebrek aan ventilatie.
14. Zorg altijd voor een stevige stand en goede lichaamsbalans.
15. U mag de slang niet knikken, eraan trekken of erop gaan staan.
16. Schakel de stofzuiger onmiddellijk uit als u tijdens gebruik slechte prestaties of iets abnormaals opmerkt.
17. **VERWIJDER DE ACCU('S)** wanneer het gereedschap niet in gebruik is, u er onderhoud aan gaat plegen, en u accessoires verwisselt.
18. Reinig en onderhoud de stofzuiger onmiddellijk na elk gebruik om hem in optimale conditie te houden.
19. **ONDERHOUD DE STOFZUIGER GOED.** Houd de stofzuiger schoon om beter en veiliger te kunnen werken. Houdt u aan de instructies voor het verwisselen van de accessoires. Houd de handgrepen droog, schoon en vrij van olie en vetten.
20. **CONTROLEER BESCHADIGDE ONDERDELEN.** Zonder de stofzuiger verder te gebruiken, moet een beschermkap of ander onderdeel dat beschadigd is eerst goed worden onderzocht om te beoordelen of het goed werkt en zijn beoogde functie kan uitvoeren. Controleer of bewegende delen goed uitgelijnd zijn en niet vastgelopen zijn, of onderdelen niet kapot zijn en stevig gemonteerd zijn, en enige andere situatie die van invloed kan zijn op de werking ervan. Een beschermkap of ander onderdeel dat beschadigd is, dient vakkundig te worden gerepareerd of vervangen door een erkend servicecentrum, behalve indien anders aangegeven elders in deze gebruiksaanwijzing. Laat een kapotte schakelaar vervangen door een erkend servicecentrum. Gebruik de stofzuiger niet als hij niet kan worden in- en uitgeschakeld met de schakelaar.
21. Bij onderhoud door de gebruiker moet het apparaat worden gedemonteerd, gereinigd en onderhouden voor zover dat redelijkerwijs praktisch is zonder dat dit risico's oplevert voor het onderhoudspersoneel en anderen.
22. Het apparaat moet minimaal jaarlijks worden onderworpen aan een technische inspectie door de fabrikant of een opgeleid persoon, welke dient te bestaan uit, bijvoorbeeld, een inspectie van de filters op beschadigingen, de luchtdichtheid van het apparaat en de juiste werking van het bedieningsmechanisme.
23. Tijdens het uitvoeren van onderhouds- of reparatiewerkzaamheden moeten alle verontreinigde onderdelen die niet naar tevredenheid kunnen worden schoongemaakt, worden weggegooid. Dergelijke onderdelen moeten worden weggegooid in ondoordringbare zakken conform alle huidige regelgeving voor het weggooiën van dergelijk afval.
24. **VERVANGINGSONDERDELEN.** Gebruik tijdens reparaties uitsluitend identieke vervangingsonderdelen.
25. **BERG EEN STOFZUIGER DIE NIET WORDT GEBRUIKT VEILIG OP.** Wanneer de stofzuiger niet wordt gebruikt, dient hij binnenshuis te worden opgeborgen.
26. Behandel uw stofzuiger voorzichtig. Een ruwe behandeling kan leiden tot een defect van zelfs de meest stevig gebouwde stofzuiger.
27. Probeer niet de buitenkant of binnenkant van de stofzuiger schoon te maken met wasbenzine, thinner of schoonmaakmiddelen. Hierdoor kunnen barsten en verkleuringen ontstaan.
28. Gebruik de stofzuiger niet in een afgesloten ruimte waarin brandbare, explosieve of giftige dampen worden afgegeven door verf op olie-basis, thinner, benzine, bepaalde motenbestrijdingsmiddelen, enz., of op plaatsen waar brandbaar stof aanwezig is.
29. Gebruik dit of enig ander gereedschap niet wanneer u onder invloed bent van drugs of alcohol.
30. Als basisveiligheidsmaatregel gebruikt u een beschermende bril of veiligheidsbril met zijstukken.

31. Gebruik een stofmasker onder stoffige werkomstandigheden.
32. Dit apparaat is niet bedoeld voor gebruik door personen, waaronder kinderen, met een verminderd lichamelijk, zintuiglijk of geestelijk vermogen, of gebrek aan kennis en ervaring.
33. Kinderen dienen onder toezicht te staan om ervoor te zorgen dat zij niet met de stofzuiger spelen.
34. Hanteer de stofzuiger en accu(s) nooit met natte handen.
35. Wees bijzonder voorzichtig tijdens stofzuigen op een trap.
36. Gebruik de stofzuiger niet als een kruk of werkbank. Anders kan het apparaat vallen, waardoor persoonlijk letsel kan worden veroorzaakt.
37. Zuig geen schuim of zepige vloeistoffen op. Hierdoor kan schuim uit de luchtuitstroomopening komen waardoor een elektrische schok kan worden veroorzaakt en de stofzuiger kan worden beschadigd.

Gebruik en verzorging van gereedschap dat op een accu werkt

1. **Laad alleen op met de acculader aanbevolen door de fabrikant.** Een acculader die geschikt is voor een bepaald type accu, kan brandgevaar opleveren indien gebruikt met een ander type accu.
2. **Gebruik elektrisch gereedschap uitsluitend met de daarvoor bestemde accu.** Gebruik van andere accu's kan gevaar voor letsel of brandgevaar opleveren.
3. **Als de accu niet wordt gebruikt, houdt u deze uit de buurt van metalen voorwerpen, zoals paperclips, muntgeld, sleutels, spijkers, schroeven en andere kleine metalen voorwerpen die een kortsluiting kunnen veroorzaken tussen de accupolen.** Kortsluiting tussen de accupolen kan leiden tot brandwonden of brand.
4. **Onder zware gebruiksomstandigheden kan vloeistof uit de accu komen. Voorkom aanraking!** Als u er per ongeluk mee in aanraking komt, spoelt u het er met water af. Als de vloeistof in uw ogen komt, raadpleegt u tevens een arts. Vloeistof uit de accu kan irritatie en brandwonden veroorzaken.
5. **Gebruik geen accu of gereedschap dat beschadigd of gewijzigd is.** Beschadigde of gewijzigde accu's kunnen onvoorspelbaar gedrag vertonen dat kan leiden tot brand, explosie of gevaar van letsel.
6. **Stel een accu of gereedschap niet bloot aan vuur of buitensporige temperaturen.** Blootstelling aan vuur of temperaturen hoger dan 130 °C kunnen een explosie veroorzaken.
7. **Volg alle oplaadinstructies en laad de accu of het gereedschap niet op buiten het temperatuurbereik opgegeven in de instructies.** Verkeerd opladen of bij een temperatuur buiten het opgegeven bereik kan de accu beschadigen en de kans op brand vergroten.

BEWAAR DEZE VOORSCHRIFTEN.

⚠WAARSCHUWING: Laat u NIET misleiden door een vals gevoel van comfort en bekendheid met het gereedschap (na veelvuldig gebruik) en neem alle veiligheidsvoorschriften van het betreffende gereedschap altijd strikt in acht. **VERKEERD GEBRUIK** of het niet naleven van de veiligheidsvoorschriften in deze gebruiksaanwijzing kan leiden tot ernstig letsel.

Belangrijke veiligheidsinstructies voor een accu

1. Lees alle voorschriften en waarschuwingen op (1) de acculader, (2) de accu, en (3) het product waarvoor de accu wordt gebruikt, alvorens de accu in gebruik te nemen.
2. Haal de accu niet uit elkaar en saboteer hem niet. Dit kan leiden tot brand, buitensporige hitte of een explosie.
3. Als de gebruikstijd van een opgeladen accu aanzienlijk korter is geworden, moet u het gebruik ervan onmiddellijk stopzetten. Voortgezet gebruik kan oververhitting, brandwonden en zelfs een ontploffing veroorzaken.
4. Als elektrolyt in uw ogen is terechtgekomen, spoelt u uw ogen met schoon water en roept u onmiddellijk de hulp van een dokter in. Elektrolyt in de ogen kan blindheid veroorzaken.
5. **Voorkom kortsluiting van de accu:**
 - (1) Raak de accuklemmen nooit aan met een geleidend materiaal.
 - (2) Bewaar de accu niet in een bak waarin andere metalen voorwerpen zoals spijkers, munten e.d. worden bewaard.
 - (3) Stel de accu niet bloot aan water of regen. Kortsluiting van de accu kan oorzaak zijn van een grote stroomafgifte, oververhitting, brandwonden, en zelfs defecten.
6. Bewaar en gebruik het gereedschap en de accu niet op plaatsen waar de temperatuur kan oplopen tot 50 °C of hoger.
7. Werp de accu nooit in het vuur, ook niet wanneer hij zwaar beschadigd of volledig versleten is. De accu kan ontploffen in het vuur.
8. Laat de accu niet vallen, sla er geen spijker in, snijd er niet in, gooi er niet mee en stoot hem niet tegen een hard voorwerp. Dergelijke handelingen kunnen leiden tot brand, buitensporige hitte of een explosie.
9. **Gebruik nooit een beschadigde accu.**
10. **De bijgeleverde lithium-ionbatterijen zijn onderhevig aan de vereisten in de wetgeving omtrent gevaarlijke stoffen.** Voor commercieel transport en dergelijke door derden en transporteurs moeten speciale vereisten ten aanzien van verpakking en etikettering worden nageleefd. Als voorbereiding van het artikel dat wordt getransporteerd is het noodzakelijk een expert op het gebied van gevaarlijke stoffen te raadplegen. Houid u tevens aan mogelijk strengere nationale regelgeving. Blootliggende contactpunten moeten worden afgedekt met tape en de accu moet zodanig worden verpakt dat deze niet kan bewegen in de verpakking.

11. Wanneer u de accu wilt weggooiden, verwijdert u de accu vanaf het gereedschap en gooit u hem op een veilige manier weg. Volg bij het weggooiden van de accu de plaatselijke voorschriften.
12. Gebruik de accu's uitsluitend met de gereedschappen die door Makita zijn aanbevolen. Als de accu's worden aangebracht in niet-compatibele gereedschappen, kan dat leiden tot brand, buitensporige warmteontwikkeling, een explosie of lekkage van elektrolyt.
13. Als u het gereedschap gedurende een lange tijd niet denkt te gaan gebruiken, moet de accu vanaf het gereedschap worden verwijderd.
14. Tijdens en na gebruik, kan de accu heet worden waardoor brandwonden of koude brandwonden kunnen worden veroorzaakt. Wees voorzichtig bij het hanteren van een hete accu.
15. Raak de aansluitpunten van het gereedschap niet onmiddellijk na gebruik aan omdat deze heet genoeg kunnen zijn om brandwonden te veroorzaken.
16. Zorg ervoor dat geen steenslag, stof of grond vast komt te zitten op/in de aansluitpunten, openingen en groeven van de accu. Hierdoor kan oververhitting, brand, een barst en een storing in het gereedschap of de accu ontstaan waardoor brandwonden of persoonlijk letsel kunnen ontstaan.
17. Behalve indien gebruik van het gereedschap is toegestaan in de buurt van hoogspanningsleidingen, mag u de accu niet gebruiken in de buurt van een hoogspanningsleiding. Dit kan leiden tot een storing of een defect van het gereedschap of de accu.
18. Houd de accu uit de buurt van kinderen.

BEWAAR DEZE INSTRUCTIES.

⚠ LET OP: Gebruik uitsluitend originele Makita accu's. Het gebruik van niet-originele accu's, of accu's die zijn gewijzigd, kan ertoe leiden dat de accu ontploft en brand, persoonlijk letsel en schade veroorzaakt. Ook vervalt daarmee de garantie van Makita op het gereedschap en de lader van Makita.

Tips voor een maximale levensduur van de accu

1. Laad de accu op voordat hij volledig ontladen is. Stop het gebruik van het gereedschap en laad de accu op telkens wanneer u vaststelt dat het vermogen van het gereedschap is afgenomen.
2. Laad een volledig opgeladen accu nooit opnieuw op. Te lang opladen verkort de levensduur van de accu.
3. Laad de accu op bij een omgevingstemperatuur tussen 10 °C en 40 °C. Laat een warme accu afkoelen alvorens hem op te laden.
4. Als de accu niet wordt gebruikt, verwijdert u hem vanaf het gereedschap of de lader.
5. Laad de accu op als u deze gedurende een lange tijd (meer dan zes maanden) niet gaat gebruiken.

Belangrijke veiligheidsinstructies voor de draadloos-eenheid

1. Haal de draadloos-eenheid niet uit elkaar en knoei er niet aan.
2. Houd de draadloos-eenheid uit de buurt van kinderen. Indien per ongeluk ingeslikt, raadpleegt u onmiddellijk een arts.
3. Gebruik de draadloos-eenheid uitsluitend met Makita-gereedschap.
4. Stel de draadloos-eenheid niet bloot aan regen of natte omstandigheden.
5. Gebruik de draadloos-eenheid niet op plaatsen waar de temperatuur hoger is dan 50 °C.
6. Bedien de draadloos-eenheid niet op plaatsen in de buurt van medische instrumenten, zoals een pacemaker.
7. Bedien de draadloos-eenheid niet op plaatsen in de buurt van geautomatiseerde apparaten. Bij bediening ervan kan in de geautomatiseerde apparaten een storing of fout optreden.
8. Bedien de draadloos-eenheid niet op plaatsen met een hoge temperatuur of op plaatsen waar statische elektriciteit of elektrische ruis kan worden gegenereerd.
9. De draadloos-eenheid kan elektromagnetische velden genereren, maar deze zijn niet schadelijk voor de gebruiker.
10. De draadloos-eenheid is een nauwkeurig instrument. Wees voorzichtig dat u de draadloos-eenheid niet laat vallen of ergens tegenaan stoot.
11. Raak de aansluitpunten van de draadloos-eenheid niet aan met blote handen of metaalachtige materialen.
12. Verwijder altijd de accu uit het apparaat wanneer u de draadloos-eenheid erin aanbrengt.
13. Open de afdekking van de gleuf niet op plaatsen waar stof of vocht in de gleuf kan binnendringen. Houd de ingang van de gleuf altijd schoon.
14. Breng de draadloos-eenheid altijd in de juiste richting aan.
15. Druk niet te hard op de knop voor draadloos inschakelen op de draadloos-eenheid en/of druk niet op de knop met een scherp voorwerp.
16. Sluit altijd de afdekking van de gleuf tijdens gebruik.
17. Verwijder de draadloos-eenheid niet uit de gleuf terwijl voeding wordt geleverd aan het gereedschap. Als u dit doet, kan een storing optreden in de draadloos-eenheid.
18. Verwijder de sticker op de draadloos-eenheid niet.
19. Plak geen stickers op de draadloos-eenheid.
20. Laat de draadloos-eenheid niet liggen op een plaats waar statische elektriciteit of elektrische ruis kan worden gegenereerd.
21. Laat de draadloos-eenheid niet liggen op een plaats die is blootgesteld aan hoge temperaturen, zoals in een auto die in de zon staat geparkeerd.

22. **Laat de draadloos-eenheid niet liggen op een plaats met veel stof of poeder, of op een plaats waar corrosief gas kan worden gegeneerd.**
23. **Door een plotselinge verandering in temperatuur kan condens op de draadloos-eenheid worden gevormd. Gebruik de draadloos-eenheid niet voordat de condens volledig is verdampt.**
24. **Veeg de draadloos-eenheid voorzichtig schoon met een droge, zachte doek. Gebruik geen wasbenzine, thinner, geleidend vet en dergelijke.**
25. **Bewaar de draadloos-eenheid in de bijgeleverde doos of een antistatische container.**
26. **Breng geen andere apparaten dan een draadloos-eenheid van Makita aan in de gleuf van het gereedschap.**
27. **Gebruik het gereedschap niet als de afdekking van de gleuf beschadigd is. Water, stof en vuil die in de gleuf binnendringen, kunnen een storing veroorzaken.**
28. **Trek en draai niet meer dan nodig is aan de afdekking van de gleuf. Plaats de afdekking terug als deze los komt van het gereedschap.**
29. **Vervang de afdekking van de gleuf als deze verloren of beschadigd is.**

BEWAAR DEZE INSTRUCTIES.

BESCHRIJVING VAN DE ONDERDELEN

- **Fig.1:** 1. Hoofdeenheid 2. Poederfilter (HEPA)
3. Demper 4. Voorfilter 5. Tank

BESCHRIJVING VAN DE FUNCTIES

⚠ LET OP: Verzeker u er altijd van dat het apparaat is uitgeschakeld en de accu's zijn verwijderd voordat u de functies op het apparaat afstelt of controleert.

De accu aanbrengen en verwijderen

⚠ LET OP: Schakel het apparaat altijd uit voordat u de accu's aanbrengt of verwijdert.

⚠ LET OP: Houd de stofzuiger en de accu's stevig vast tijdens het aanbrengen of verwijderen van de accu's. Als u dit niet doet, kunnen deze uit uw handen glippen waardoor de stofzuiger en de accu's kunnen worden beschadigd of persoonlijk letsel kan ontstaan.

⚠ LET OP: Wees voorzichtig bij het sluiten of openen van het accudeksel dat uw vingers niet bekneld raken. Als u dit niet doet, kan persoonlijk letsel ontstaan.

De stofzuiger heeft twee accugleuven. Met twee identieke, parallel geplaatste accu's, kunt u de gebruiksduur van één of meerdere keren stofzuigen verlengen zonder te moeten stoppen om de accu's op te laden. De stofzuiger werkt ook met één accu, dus afhankelijk van uw behoeften kunt u kiezen tussen twee accu's of één accu.

► **Fig.2:** 1. Linker accugleuf 2. Rechter accugleuf

Met twee accu's

Continue voeding door twee accu's maakt een langere gebruiksduur en efficiënter stofzuigen mogelijk. Wanneer de eerste accu leeg raakt, schakelt de stofzuiger automatisch de voedingsbron om naar de tweede accu zodat de stofzuiger blijft werken.

OPMERKING: De linker accugleuf (gezien vanaf de voorkant van de stofzuiger) krijgt voorrang op de rechter accugleuf. De rechter accugleuf wordt alleen als voedingsbron gebruikt als in de linker accugleuf geen accu is aangebracht of als de accu in de linker accugleuf leeg raakt.

OPMERKING: U kunt de accu uit de linker accugleuf verwijderen en deze opladen nadat de stofzuiger de voedingsbron heeft omgeschakeld van de linker accugleuf naar de rechter accugleuf zonder te zijn gestopt. Om de voorrang terug te geven aan de linker accugleuf nadat u daarin een opgeladen accu hebt aangebracht, start u de stofzuiger opnieuw op.

Met één accu

Slechts één accu is vereist als voedingsbron in de linker of rechter accugleuf. De stofzuiger bepaalt automatisch welke accugleuf beschikbaar is aan de hand van de gebruiksomstandigheden.

Aanbrengen en verwijderen

Om accu's aan te brengen, ontgrendelt u eerst de vergrendeling en opent u het accudeksel. Breng daarna de accu's aan.

► **Fig.3:** 1. Vergrendeling 2. Accudeksel

Lijn de lip op de accu's uit met de groeven in de accu-behuizing en duw de accu's op hun plaats. Steek ze er helemaal in tot ze op hun plaats worden vergrendeld met een klikgeluid.

Sluit daarna het accudeksel.

► **Fig.4:** 1. Accu 2. Knop

Om de accu's te verwijderen, houdt u de knoppen aan de voorkant van de accu's ingedrukt en schuift u tegelijkertijd de accu's uit de accubehuizing.

⚠ LET OP: Breng de accu altijd helemaal aan. Als u dit niet doet, kan de accu per ongeluk uit het apparaat vallen en u of anderen in uw omgeving verwonden.

⚠ LET OP: Breng de accu niet met kracht aan. Als de accu niet gemakkelijk in het gereedschap kan worden geschoven, wordt deze niet goed aangebracht.

OPMERKING: Wanneer de stofzuiger de voedingsbron omschakelt van de eerste accu naar de tweede, kan het nodig zijn de werking tijdelijk te onderbreken, waardoor de zuigkracht kort verloren gaat. Merk op dat dit geen storing is en de stofzuiger na de pauze onmiddellijk weer de normale werking hervat.

De resterende acculading controleren

Druk op de testknop op de accu om de resterende acculading te zien. De indicatorlampjes branden gedurende enkele seconden.

► Fig.5: 1. Indicatorlampjes 2. Testknop

Indicatorlampjes			Resterende acculading
Brandt	Uit	Knippert	
■	□	▧	75% tot 100%
■	■	□	50% tot 75%
■	□	□	25% tot 50%
■	□	□	0% tot 25%
▧	□	□	Laad de accu op.
■	■	□	Er kan een storing zijn opgetreden in de accu.
□	□	■	

OPMERKING: Afhankelijk van de gebruiksomstandigheden en de omgevingstemperatuur, is het mogelijk dat de aangegeven acculading verschilt van de werkelijke acculading.

OPMERKING: Het eerste (meest linker) indicatorlampje knippert wanneer het accubeveiligingssysteem in werking is getreden.

Accu-indicators op het bedieningspaneel

De resterende acculading kan op elk moment worden afgelezen op het bedieningspaneel. Druk op de controleknop waarna de linker en rechter accu-indicators de respectievelijke acculaadniveaus aangeven.

► Fig.6: 1. Accu-indicators 2. Testknop

► Fig.7

Toestand van accu-indicator			Resterende acculading
Aan	Uit	Knippert	
■	□	▧	50% tot 100%
■	■	□	20% tot 50%
■	□	□	0% tot 20%
▧	□	□	Laad de accu op.
□	□	■	Accu niet aangebracht

OPMERKING: De accu-indicators worden tevens geactiveerd wanneer de stofzuiger wordt ingeschakeld of wanneer deze de voedingsbron omschakelt van de ene naar de andere accu.

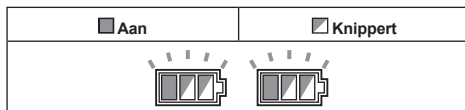
Apparaat-/accubeveiligingssysteem

Het apparaat is uitgerust met een apparaat-/accubeveiligingssysteem. Dit systeem schakelt automatisch de voeding naar de motor uit om de levensduur van het apparaat en de accu te verlengen. Het apparaat zal tijdens het gebruik automatisch stoppen wanneer het apparaat of de accu zich in één van de volgende omstandigheden bevindt:

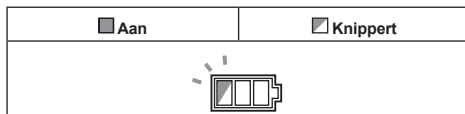
Overbelastingsbeveiliging

Wanneer het apparaat/de accu wordt gebruikt op een manier die een abnormaal hoge stroomsterkte vergt, stopt het apparaat automatisch. Schakel in dat geval het apparaat uit en stop met de toepassing die ertoe leidde dat het apparaat overbelast raakte. Schakel vervolgens het apparaat in om het weer te starten.

Oververhittingsbeveiliging



Wanneer het apparaat oververhit is, stopt het apparaat automatisch en knipperen de linker en rechter accu-indicators. Laat in die situatie het apparaat afkoelen voordat u het apparaat weer inschakelt.



Als de accu oververhit is, stopt het apparaat automatisch en knippert één van de indicators van de oververhite accu. Laat in dat geval de accu afkoelen voordat u het apparaat weer inschakelt.

Beveiliging tegen te ver ontladen

Als de acculading laag is, stopt het apparaat automatisch. Als het apparaat niet werkt bij bediening van de schakelaar, verwijdert u de accu's uit het apparaat en laadt u ze op.

Beveiliging tegen andere oorzaken

Het beveiligingssysteem is ook ontworpen voor andere oorzaken die het apparaat kunnen beschadigen, en zorgt ervoor dat het apparaat onmiddellijk stopt. Voer alle volgende stappen uit om de oorzaken op te heffen, wanneer het apparaat tijdelijk is onderbroken of tijdens het gebruik is gestopt.

1. Schakel het apparaat uit en schakel het daarna weer in om het opnieuw te starten.
2. Laad de accu(s) op of vervang hem/ze door (een) opgeladen accu(s).
3. Laat het apparaat en de accu(s) afkoelen.

Als geen verbetering optreedt nadat het beveiligingssysteem is gereset, neemt u contact op met uw lokale Makita-servicecentrum.

De trekkerschakelaar gebruiken

De stofzuiger inschakelen

1. Draai de standbyschakelaar naar de stand "I" (aan) of "AUTO" (aan) om de stofzuiger gebruiksklaar te zetten in de standby-stand.
2. Druk op de aan-uitknop.
Om terug te gaan naar de standby-stand, drukt u nogmaals op de aan-uitknop.

De stofzuiger uitschakelen

Voer een van de volgende stappen uit.

- Druk op de aan-uitknop om de stofzuiger weer in de standby-stand te zetten, en draai vervolgens de standbyschakelaar naar de stand "O" (uit).
- Draai de standbyschakelaar naar de stand "O" (uit).

De zuigkracht instellen

De zuigkracht kan worden ingesteld overeenkomstig de behoefte van de werkzaamheden.

- Draai de zuigkracht-instelknop naar links om de zuigkracht te verlagen.
- Draai de zuigkracht-instelknop naar rechts om de zuigkracht te verhogen.

- **Fig.8:** 1. Standby-schakelaar 2. Aan-uitknop
3. Zuigkracht-instelknop

De wieltjes vergrendelen en ontgrendelen

De wieltjes aan de achterkant kunnen worden vergrendeld door middel van een rem om de stofzuiger op zijn plaats te houden.

Zet de remhendel met de hand omlaag om het wielteje te vergrendelen en zet hem omhoog om te ontgrendelen.

- **Fig.9:** 1. Wielteje 2. Remhendel 3. Stand LOS
4. Stand REM

OPMERKING: Voordat u de stofzuiger verplaatst, controleert u of het wielteje niet op de rem staat. Als u de stofzuiger verplaatst terwijl het wielteje op de rem staat, kan het wielteje worden beschadigd.

Draaghandgreep

⚠ALLET OP: Wees voorzichtig wanneer u het apparaat optilt en draagt. Als u dat niet doet, kan dit leiden tot persoonlijk letsel of beschadiging van het apparaat.

Wanneer u de stofzuiger draagt, draagt u deze aan de handgreep op de hoofdeenheid. Wanneer de handgreep niet in gebruik is, kan deze worden weggeklapt in de hoofdeenheid.

- **Fig.10**

MONTAGE

⚠ALLET OP: Verzekert u er altijd van dat het apparaat is uitgeschakeld en de accu's zijn verwijderd voordat u enige werkzaamheden aan het apparaat uitvoert.

⚠ALLET OP: Draag altijd een stofmasker tijdens montage en onderhoud.

Het poederfilter (HEPA) en voorfilter aanbrengen (voor droog stof)

⚠ALLET OP: Zuig nooit water of een andere vloeistof of nat stof op wanneer een poederfilter wordt gebruikt. Als u dergelijke stoffen opzuigt, kan het poederfilter stuk gaan.

Gebruik van het poederfilter:

1. Plaats het voorfilter in de tank door de montagepositiemarkeringen op het voorfilter en de tank met elkaar uit te lijnen.
 2. Plaats de demper in het voorfilter en plaats vervolgens het poederfilter over de demper door de montagepositiemarkeringen op het poederfilter en het voorfilter met elkaar uit te lijnen.
 3. Plaats de hoofdeenheid op de tank en bevestig deze met behulp van de vergrendelingen.
- **Fig.11:** 1. Hoofdeenheid 2. Poederfilter (HEPA) 3. Demper 4. Voorfilter 5. Tank 6. Montagepositiemarkeringen

KENNISGEVING: Alvorens het poederfilter te gebruiken, verzekert u zich ervan dat het voorfilter en de demper tezamen worden gebruikt. Het is niet toegestaan om het poederfilter alleen te gebruiken.

De papieren stofzak aanbrengen

Optioneel accessoire

⚠WAARSCHUWING: Alvorens een papieren stofzak te gebruiken, verzekert u zich ervan dat het voorfilter tegelijkertijd wordt gebruikt. Als u het voorfilter niet tegelijkertijd ermee gebruikt, kan een ongebruikelijk geluid en warmte worden veroorzaakt, waardoor brand kan ontstaan.

KENNISGEVING: Zuig nooit water of een andere vloeistof of nat stof op wanneer een papieren stofzak wordt gebruikt. Als u dergelijke stoffen opzuigt, kan de papieren stofzak stuk gaan.

KENNISGEVING: Alvorens de papieren stofzak te gebruiken, controleert u of het poederfilter, de demper en het voorfilter tegelijkertijd worden gebruikt.

1. Vouw de papieren stofzak uit.
 2. Lijn de opening van de papieren stofzak uit met de stofinlaat van de tank.
 3. Breng de papieren stofzak aan in de tank met zijn kartonnen opening vastgehaakt aan de papieren-stofzakhouder.
- **Fig.12:** 1. Papieren stofzak 2. Kartonnen opening 3. Papieren-stofzakhouder 4. Stofinlaat

De polyethyleenzak aanbrengen

Als een polyethyleenzak is aangebracht in de tank, kunt u de tank eenvoudig legen zonder dat uw handen vies worden.

Leg een polyethyleenzak over de tank en steek één kant van de geopende bovenrand van de zak tussen de houderplaat en de voorwand van de tank.

► **Fig.13:** 1. Houderplaat 2. Voorwand van de tank 3. Polyethyleenzak

Spread de rest van de bovenrand van de zak naar buiten over de bovenrand van de tank. Plaats het voorfilter bovenop de polyethyleenzak om de opening van de zak stevig vast te zetten.

► **Fig.14:** 1. Voorfilter

OPMERKING: U kunt een polyethyleenzak uit de winkel gebruiken. Wij adviseren een zak met een dikte van 0,04 mm of meer te gebruiken.

OPMERKING: Bij een te grote hoeveelheid stof, zal de zak gemakkelijk scheuren, dus vervangt u de zak wanneer deze pas half vol zit.

De tank met polyethyleenzak legen

⚠ WAARSCHUWING: Zorg er altijd voor dat de stofzuiger is uitgeschakeld en de accu's zijn verwijderd voordat u de tank leegt. Als u dit niet doet, kunt u een elektrische schok krijgen en kan ernstig persoonlijk letsel ontstaan.

KENNISGEVING: Oefen geen sterke schokken uit op de tank. Als u een grote schok uitvoert, kunnen vervormingen van en schade aan de onderdelen ontstaan.

KENNISGEVING: Leeg de tank minstens eenmaal per dag, al is dit afhankelijk van de opgezogen hoeveelheid stof in de tank. Anders zal de zuigkracht afnemen en kan de motor defect raken.

KENNISGEVING: Pak de haak of vergrendelingen niet vast wanneer u de tank leegt. Als u de haak of vergrendelingen vastpakt, kunnen deze afbreken.

Ontgrendel de vergrendelingen en til de hoofdeenheid van de tank af.

Schud het stof van het voorfilter af voordat u het filter van de tank af tilt.

Verwijder daarna de polyethyleenzak uit de tank, waarbij u de opening van de zak met uw hand dicht houdt.

► **Fig.15:** 1. Polyethyleenzak 2. Tank

OPMERKING: Haal de polyethyleenzak voorzichtig uit de tank om te voorkomen dat deze vasthaakt en uitscheurt aan de binnenrand van de tank.

OPMERKING: Leeg de polyethyleenzak voordat deze vol is. Te veel stof in de tank kan ertoe leiden dat de polyethyleenzak scheurt.

De multihaak aanbrengen

Gebruik de multihaak voor het opbergen van de slang, accessoires en hulpstukken die niet in gebruik zijn om deze snel te kunnen pakken wanneer u ze nodig hebt.

► **Fig.16**

Plaats de multihaak op de bevestigingsvoet aan de achterkant van de stofzuiger, waarbij de rails op de multihaak in de groeven op de bevestigingsvoet wordt geschoven.

► **Fig.17:** 1. Multihaak 2. Bevestigingsvoet

De MAKPAC-adapter aanbrengen

Optioneel accessoire

Met behulp van een optionele adapter kunnen MAKPAC-opbergkoffers worden bevestigd en gestapeld bovenop de stofzuiger. De koffers zijn leverbaar in vele maten en stijlen om tegemoet te komen aan uw voorkeuren.

Plaats de haken van de bevestigingsvoet over de handgreep van de stofzuiger met het montageoppervlak ervan omhoog gericht wanneer de handgreep omlaag is geklapt.

► **Fig.18:** 1. Haak van de bevestigingsvoet 2. Montageoppervlak 3. Handgreep

Monteer de MAKPAC-adapter op de haak van de bevestigingsvoet en bevestig deze aan elkaar met behulp van de vier bijgeleverde schroeven.

► **Fig.19:** 1. MAKPAC-adapter 2. Haak van de bevestigingsvoet 3. Schroef

Zet de duwstang omhoog en draai de knop vast ter voorbereiding van het aanbrengen van de MAKPAC-koffers op de stofzuiger.

► **Fig.20:** 1. Duwstang 2. Knop

OPMERKING: Voor meer informatie over het aanbrengen van MAKPAC-koffers raadpleegt u de instructies die bij de MAKPAC-adapter en -koffers werden geleverd.

De slang aanbrengen

KENNISGEVING: U mag de slang niet forceren of erop gaan staan. Trek de stofzuiger nooit mee aan de slang. Door de slang te forceren, erop te staan of eraan te trekken, kan hij kapot gaan of vervormen.

KENNISGEVING: Wanneer groot afval wordt opgezogen, zoals houtkrullen, cementkorrels of soortgelijk afval anders dan zeer klein afval, gebruikt u de slang met een binnendiameter van 38 mm (optioneel accessoire). Als u de slang met een binnendiameter van 28 mm (optioneel accessoire) gebruikt, kan de slang verstopt en beschadigd raken.

Aansluiten op de stofzuiger

Steek het slanguiteinde in de stofinlaat (slangaansluiting) van de stofzuiger en draai hem daarna rechtsom tot hij op zijn plaats vastklikt.

► **Fig.21:** 1. Slang 2. Stofinlaat (slangaansluiting)

Aansluiten op uw gereedschappen (afhankelijk van het land)

Door de stofzuiger aan te sluiten op een van de verkrijgbare gereedschappen die compatibel zijn met de stofzuiger, werkt deze als stofafzuiging voor uw elektrisch gereedschap.

Selecteer een van de voorste aansluitstukken of verloopstukken (optionele accessoires) die het meest geschikt is voor uw model gereedschap. Plaats het aansluitstuk of verloopstuk tussen het voorste uiteinde van de stofzuigerslang en de stofafzuigaansluiting op uw gereedschap.

- **Fig.22:** 1. Voorste aansluitstuk of verloopstuk
2. Stofzuigerslang 3. Elektrisch gereedschap 4. Stofzuiger

De hulpstukken van de stofzuiger aanbrengen en verwijderen

⚠ LET OP: Controleer na het aanbrengen van een hulpstuk of dit stevig is aangebracht. Als het hulpstuk niet correct is aangebracht, kan het eraf vallen en persoonlijk letsel veroorzaken.

Bij gebruik van een hulpstuk zonder vergrendelfunctie

Optioneel accessoire

Steek een hulpstuk in de aanzuigopening van de stofzuiger door het met de hand erin te duwen en op zijn plaats te draaien.

Na gebruik verdraait u het hulpstuk met de hand en trekt u het uit de aanzuigopening.

- **Fig.23**

Bij gebruik van een hulpstuk met vergrendelfunctie

Optioneel accessoire

KENNISGEVING: Bij het aanbrengen van het hulpstuk met vergrendelfunctie, moet u de ontgrendelknop uitlijnen met de haak op het hulpstuk. Als deze niet uitgelijnd zijn, zal het hulpstuk niet vergrendeld worden en kan deze van de stofzuiger af vallen.

Steek een hulpstuk in de aanzuigopening van de stofzuiger door deze erin te duwen tot u een klikgeluid hoort.

Om het hulpstuk te verwijderen, drukt u op de ontgrendelknop en trekt u het er tegelijkertijd af.

- **Fig.24:** 1. Aanzuigopening met vergrendelfunctie 2. Ontgrendelknop 3. Hulpstuk met vergrendelfunctie

OPMERKING: Het hulpstuk met vergrendelfunctie kan alleen worden aangesloten op een aanzuigopening met vergrendelfunctie.

- **Fig.25:** 1. Hulpstuk met vergrendelfunctie
2. Aanzuigopening met vergrendelfunctie
3. Aanzuigopening zonder vergrendelfunctie

De lengte van de telescoopbuis met knop afstellen

Optioneel accessoire

Een telescoopbuis met knop kan op het apparaat worden aangesloten voor grotere of kleinere lengten. Hiermee is het mogelijk om te stofzuigen op moeilijk bereikbare plaatsen en een comfortabele werkhouding aan te nemen.

Houd de schuifknop ingedrukt en schuif de schuifbuis in en uit om de buislengte te veranderen.

Laat de schuifknop los om de schuifbuis op de gewenste lengte te vergrendelen.

- **Fig.26:** 1. Schuifbuis 2. Schuifknop

FUNCTIE VOOR DRAADLOOS INSCHAKELEN

Mogelijkheden van de functie voor draadloos inschakelen

Met de functie voor draadloos inschakelen kunt u schoon en comfortabel werken. Door een ondersteund gereedschap aan te sluiten op de stofzuiger, kunt u de stofzuiger automatisch laten in- en uitschakelen bij bediening van de schakelaar van het gereedschap.

- **Fig.27**

KENNISGEVING: Raadpleeg tevens de gebruiksaanwijzing van het gereedschap wanneer u een stofzuiger met de functie voor draadloos inschakelen gebruikt.

KENNISGEVING: Haal de draadloos-eenheid niet uit elkaar en knoei er niet aan.

KENNISGEVING: Om te voorkomen dat stof in de gleuf van de draadloos-eenheid binnendringt, zorgt u ervoor dat het deksel altijd stevig gesloten is tijdens gebruik en opbergen.

KENNISGEVING: Verwijder de draadloos-eenheid niet terwijl voeding wordt geleverd.

Als u dit doet, kan een storing optreden in de draadloos-eenheid.

KENNISGEVING: Druk niet te hard op de knop voor draadloos inschakelen en/of druk niet op de knop met een scherp voorwerp.

OPMERKING: Draadloos inschakelen vereist een Makita gereedschap dat is uitgerust met de draadloos-eenheid.

OPMERKING: Alvorens de functie voor draadloos inschakelen voor het eerst met elk gereedschap te gebruiken, dient het gereedschap te worden geregistreerd. Nadat de registratie van het gereedschap is voltooid, is opnieuw registreren niet nodig, behalve als de registratie wordt geannuleerd.

OPMERKING: Controleer vóór registratie of de draadloos-eenheid correct is aangebracht.

OPMERKING: Eén draadloos-eenheid kan maximaal 10 verbindingen registreren met andere draadloos-eenheden. Als meer dan 10 draadloos-eenheden zijn geregistreerd in één draadloos-eenheid, wordt degene die het eerste werd geregistreerd automatisch gewist.

OPMERKING: De plaats van de knop voor draadloos inschakelen verschilt afhankelijk van het gereedschap.

OPMERKING: De stofzuiger wordt tevens ingeschakeld wanneer op de aan-uitknop wordt gedrukt terwijl de standbyschakelaar op "AUTO" staat. De aan-uitknop schakelt niet in en uit wanneer de functie voor draadloos inschakelen wordt gebruikt.

De draadloos-eenheid aanbrengen

⚠ LET OP: Plaats de stofzuiger op een vlakke en stabiele ondergrond wanneer u de draadloos-eenheid aanbrengt.

KENNISGEVING: Verwijder het stof en vuil vanaf de stofzuiger voordat u de draadloos-eenheid aanbrengt. Stof en vuil kunnen een storing veroorzaken wanneer ze binnendringen in de gleuf voor de draadloos-eenheid.

KENNISGEVING: Om een storing als gevolg van statische elektriciteit te voorkomen, raakt u een materiaal aan dat statische elektriciteit ontleedt, zoals een metalen onderdeel, voordat u de draadloos-eenheid oppakt.

KENNISGEVING: Let er bij het aanbrengen van de draadloos-eenheid altijd op dat de draadloos-eenheid in de correcte richting wordt aangebracht en dat de afdekking volledig wordt gesloten.

1. Open het deksel van de stofzuiger, zoals aangegeven in de afbeelding.
► **Fig.28:** 1. Afdekking

2. Breng de draadloos-eenheid aan in de gleuf en sluit vervolgens de afdekking.

Wanneer u de draadloos-eenheid aanbrengt, lijnt u de uitsteeksel uit met de uitsparingen in de gleuf.

► **Fig.29:** 1. Draadloos-eenheid 2. Uitsteeksel 3. Afdekking 4. Uitsparing

Wanneer u de draadloos-eenheid verwijdert, opent u langzaam de afdekking. De haken op de achterkant van de afdekking, tillen de draadloos-eenheid op terwijl u de afdekking omhoog trekt.

► **Fig.30:** 1. Draadloos-eenheid 2. Haak 3. Afdekking

Nadat de draadloos-eenheid is verwijderd, bewaart u hem in de bijgeleverde doos of een antistatische container.

KENNISGEVING: Gebruik altijd de haken op de achterkant van de afdekking wanneer u de draadloos-eenheid verwijdert. Als de haken niet aangrijpen op de draadloos-eenheid, sluit u de afdekking volledig en opent u hem weer langzaam.

Registratie van het gereedschap in de stofzuiger

OPMERKING: Een gereedschap van Makita die de functie voor draadloos inschakelen ondersteunt, is vereist voor registratie van het gereedschap.

OPMERKING: Voltooi het aanbrengen van de draadloos-eenheid in het gereedschap voordat u de registratie van het gereedschap start.

OPMERKING: Gedurende de registratie van het gereedschap mag u de trekkerschakelaar op het gereedschap niet inknijpen en de aan-uitschakelaar op de stofzuiger niet bedienen.

OPMERKING: Raadpleeg tevens de gebruiksaanwijzing van het gereedschap.

Als u wilt dat de stofzuiger wordt ingeschakeld tegelijk met de bediening van de schakelaar van het gereedschap, moet u van tevoren de registratie van het gereedschap voltooien.

1. Breng de draadloos-eenheden aan op zowel de stofzuiger als het gereedschap.

2. Breng de accu's aan in de stofzuiger en het gereedschap.

3. Zet de standbyschakelaar op de stofzuiger op "AUTO".

► **Fig.31:** 1. Standbyschakelaar

4. Houd de knop voor draadloos inschakelen op de stofzuiger gedurende 3 seconden ingedrukt totdat de lamp van draadloos inschakelen groen knippert. En houd daarna op dezelfde manier de knop voor draadloos inschakelen op het gereedschap ingedrukt.

► **Fig.32:** 1. Knop voor draadloos inschakelen
2. Lamp van draadloos inschakelen

Nadat de stofzuiger en het gereedschap met succes aan elkaar zijn gekoppeld, zullen de lampen van draadloos inschakelen gedurende 2 seconden groen branden, waarna ze blauw gaan knipperen.

OPMERKING: De lampen van draadloos inschakelen stoppen na 20 seconden met groen knipperen. Druk op de knop voor draadloos inschakelen op het gereedschap terwijl de lamp van draadloos inschakelen op de stofzuiger knippert. Als de lamp van draadloos inschakelen niet groen knippert, drukt u kort op de knop voor draadloos inschakelen en houdt u deze weer ingedrukt.

OPMERKING: Als u twee of meer gereedschappen registreert in de stofzuiger, voltooit u de registratie van de gereedschappen één voor één.

De functie voor draadloos inschakelen starten

OPMERKING: Voltooi de registratie van het gereedschap in de stofzuiger voor draadloos inschakelen.

OPMERKING: Plaats de stofzuiger altijd zodanig dat u de status van de lamp van draadloos inschakelen kunt zien.

OPMERKING: Raadpleeg tevens de gebruiksaanwijzing van het gereedschap.

Nadat een gereedschap in de stofzuiger is geregistreerd, wordt de stofzuiger automatisch in- en uitgeschakeld door de bediening van de schakelaar van het gereedschap.

1. Breng de draadloos-eenheden aan op zowel de stofzuiger als het gereedschap.
2. Breng de accu's aan in de stofzuiger en het gereedschap.
3. Sluit de slang van de stofzuiger aan op het gereedschap.
► **Fig.33**

4. Zet de standbyschakelaar op de stofzuiger op "AUTO".
► **Fig.34:** 1. Standbyschakelaar

5. Druk kort op de knop voor draadloos inschakelen op het gereedschap. De lamp van draadloos inschakelen knippert blauw.
► **Fig.35:** 1. Knop voor draadloos inschakelen
2. Lamp van draadloos inschakelen

6. Schakel het gereedschap in. Controleer of de stofzuiger is ingeschakeld terwijl het gereedschap in gebruik is.

⚠ LET OP: Controleer altijd of de functie voor draadloos inschakelen werkt voordat u werkzaamheden met het gereedschap begint.

Om het draadloos inschakelen te stoppen drukt u op de knop voor draadloos inschakelen op het gereedschap, of zet u de standbyschakelaar op de stofzuiger op "I" of "O".

OPMERKING: De lamp van draadloos inschakelen op het gereedschap stopt met blauw knipperen wanneer gedurende 2 uur geen bediening plaatsvindt. In dat geval zet u de standbyschakelaar op de stofzuiger op "AUTO" en drukt u nogmaals op de knop voor draadloos inschakelen op het gereedschap.

OPMERKING: De stofzuiger wordt met een vertraging in- en uitgeschakeld. Er treedt een tijdsvertraging op wanneer de stofzuiger de bediening van de schakelaar van het gereedschap detecteert.

OPMERKING: Het zendbereik van de draadloos-eenheid kan variëren afhankelijk van de locatie en omgevingsomstandigheden.

OPMERKING: Als twee of meer gereedschappen zijn geregistreerd in één stofzuiger, kan de stofzuiger worden ingeschakeld ondanks dat u het gereedschap niet inschakelt omdat een andere gebruiker de functie voor draadloos inschakelen gebruikt.

Registratie van het gereedschap in de stofzuiger annuleren

Voer de volgende procedure uit om de registratie van het gereedschap in de stofzuiger te annuleren.

1. Breng de draadloos-eenheden aan op zowel de stofzuiger als het gereedschap.
2. Breng de accu's aan in de stofzuiger en het gereedschap.
3. Zet de standbyschakelaar op de stofzuiger op "AUTO".
► **Fig.36:** 1. Standbyschakelaar
4. Houd de knop voor draadloos inschakelen op de stofzuiger gedurende 6 seconden ingedrukt. De lamp van draadloos inschakelen knippert groen en brandt daarna rood. Houd daarna op dezelfde manier de knop voor draadloos inschakelen op het gereedschap ingedrukt.
► **Fig.37:** 1. Knop voor draadloos inschakelen
2. Lamp van draadloos inschakelen

Als het annuleren met succes is uitgevoerd, zullen de lampen van draadloos inschakelen gedurende 2 seconden rood branden, waarna ze blauw gaan knipperen.

OPMERKING: De lampen van draadloos inschakelen stoppen na 20 seconden met rood knipperen. Druk op de knop voor draadloos inschakelen op het gereedschap terwijl de lamp van draadloos inschakelen op de stofzuiger knippert. Als de lamp van draadloos inschakelen niet rood knippert, drukt u kort op de knop voor draadloos inschakelen en houdt u deze weer ingedrukt.

Alle registraties van gereedschappen wissen

U kunt alle registraties van gereedschappen als volgt in de stofzuiger wissen.











- **Fig.38:** 1. Standbyschakelaar 2. Knop voor draadloos inschakelen 3. Lamp van draadloos inschakelen
1. Breng de draadloos-eenheid aan op de stofzuiger.
 2. Breng de accu's aan in de stofzuiger.
 3. Zet de standbyschakelaar op "AUTO".
 4. Houd de knop voor draadloos inschakelen ongeveer 6 seconden ingedrukt totdat de lamp van draadloos inschakelen rood knippert (ongeveer twee keer per seconde).
 5. Wanneer de lamp van draadloos inschakelen rood begint te knipperen, laat u de knop voor draadloos inschakelen los. Houd daarna de knop voor draadloos inschakelen nogmaals ongeveer 6 seconden ingedrukt.
 6. Wanneer de lamp van draadloos inschakelen snel rood begint te knipperen (ongeveer 5 keer per seconde), laat u de knop voor draadloos inschakelen los. Wanneer de lamp van draadloos inschakelen rood brandt en later uit gaat, zijn alle registraties van gereedschappen gewist.

OPMERKING: Als de lamp van draadloos inschakelen niet rood knippert, drukt u kort op de knop voor draadloos inschakelen en probeert u het opnieuw.

Beschrijving van de status van de lamp van draadloos inschakelen

- **Fig.39:** 1. Knop voor draadloos inschakelen
2. Lamp van draadloos inschakelen

De lamp van draadloos inschakelen toont de status van de functie voor draadloos inschakelen. Raadpleeg de onderstaande tabel voor de betekenis van de status van de lamp.

Status	Lamp van draadloos inschakelen			Beschrijving
	Kleur	 Brandt	 Knippert	
Standby	Blauw		Stofzuiger: continu Gereedschap: 2 uur	Wachten op de registratie van het gereedschap of de functie voor draadloos inschakelen is beschikbaar. De lamp op de stofzuiger knippert wanneer de standbyschakelaar op "AUTO" staat. De lamp op het gereedschap knippert wanneer op de knop voor draadloos inschakelen is gedrukt. De lamp op het gereedschap wordt automatisch uitgeschakeld wanneer gedurende 2 uur geen bediening plaatsvindt.
			Bij ingeschakeld gereedschap.	Het draadloos inschakelen van de stofzuiger is beschikbaar en het gereedschap is ingeschakeld.
Registratie van het gereedschap	Groen		20 seconden	Klaar voor registratie van het gereedschap. Het gereedschap zoeken dat moet worden geregistreerd.
			2 seconden	De registratie van het gereedschap is voltooid. De lamp van draadloos inschakelen knippert blauw.
Registratie van het gereedschap annuleren/ wissen	Rood	 (langzaam: 2 keer/sec)	20 seconden	Klaar om de registratie van het gereedschap te annuleren. Het gereedschap zoeken dat moet worden geannuleerd.
		 (snel: 5 keer/sec)	Zolang de knop voor draadloos inschakelen ingedrukt wordt gehouden.	Klaar om alle registraties van gereedschappen te wissen.
			2 seconden	De registratie van het gereedschap is geannuleerd/gewist. De lamp van draadloos inschakelen knippert blauw.
Overig	Rood		3 seconden	De draadloos-eenheid wordt van stroom voorzien en de functie voor draadloos inschakelen start nu op.
	Uit	-	-	De standbyschakelaar is niet op "AUTO" gezet.

Storingzoeken van de functie voor draadloos inschakelen

Alvorens u verzoekt om reparatie, kunt u zelf als volgt het probleem opsporen en oplossen. Als u met een probleem kampt dat in deze handleiding niet wordt beschreven, probeer dan niet het gereedschap te demonteren. Laat reparaties over aan een erkend Makita-servicecentrum, uitsluitend met gebruik van originele Makita-ervangingsonderdelen.

Probleemomschrijving	Waarschijnlijke oorzaak (storing)	Oplossing
De lamp van draadloos inschakelen brandt/knippert niet.	De draadloos-eenheid is niet aangebracht in de stofzuiger en/of het gereedschap. De draadloos-eenheid is niet correct aangebracht in de stofzuiger en/of het gereedschap.	Breng de draadloos-eenheid correct aan.
	De aansluitingen van de draadloos-eenheid en/of de gleuf zijn vuil.	Veeg het stof en vuil op de aansluitingen van de draadloos-eenheid voorzichtig af en reinig de gleuf van de stofzuiger en/of het gereedschap.
	Er is niet op de knop voor draadloos inschakelen op het gereedschap gedrukt.	Druk kort op de knop voor draadloos inschakelen op het gereedschap.
	De standbyschakelaar op de stofzuiger is niet op "AUTO" gezet.	Zet de standbyschakelaar op de stofzuiger op "AUTO".
	Geen voeding.	Voorzie het gereedschap en de stofzuiger van voeding.
De registratie van het gereedschap/het annuleren van de registratie van het gereedschap kan niet met succes worden voltooid.	De draadloos-eenheid is niet aangebracht in de stofzuiger en/of het gereedschap. De draadloos-eenheid is niet correct aangebracht in de stofzuiger en/of het gereedschap.	Breng de draadloos-eenheid correct aan.
	De aansluitingen van de draadloos-eenheid en/of de gleuf zijn vuil.	Veeg het stof en vuil op de aansluitingen van de draadloos-eenheid voorzichtig af en reinig de gleuf van de stofzuiger en/of het gereedschap.
	De standbyschakelaar op de stofzuiger is niet op "AUTO" gezet.	Zet de standbyschakelaar op de stofzuiger op "AUTO".
	Geen voeding.	Voorzie het gereedschap en de stofzuiger van voeding.
	Onjuiste bediening	Druk kort op de knop voor draadloos inschakelen en voer de procedures voor de registratie/het annuleren van de registratie opnieuw uit.
	Het gereedschap en de stofzuiger staan te ver uit elkaar (buiten het zendbereik).	Plaats het gereedschap en de stofzuiger dicht bij elkaar. Het maximale zendbereik is ongeveer 10 meter, echter, dit kan verschillen afhankelijk van de omstandigheden.
	Voor dat de registratie van het gereedschap/het annuleren van de registratie van het gereedschap werd voltooid: - de schakelaar van het gereedschap werd aan gezet of; - de aan-uitknop op de stofzuiger werd ingeschakeld.	Druk kort op de knop voor draadloos inschakelen en voer de procedures voor de registratie/het annuleren van de registratie opnieuw uit.
	De procedure voor de registratie van het gereedschap op het gereedschap of de stofzuiger is niet voltooid.	Voer de procedure voor de registratie van het gereedschap tegelijkertijd uit op het gereedschap en de stofzuiger.
Radiostoring door andere apparaten die sterke radiogolven genereren.	Houd het gereedschap en de stofzuiger uit de buurt van apparaten zoals Wi-Fi-apparaten en magnetrons.	

Probleemomschrijving	Waarschijnlijke oorzaak (storing)	Oplossing
De stofzuiger wordt niet in- en uitgeschakeld tegelijk met de bediening van de schakelaar van het gereedschap.	De draadloos-eenheid is niet aangebracht in de stofzuiger en/of het gereedschap. De draadloos-eenheid is niet correct aangebracht in de stofzuiger en/of het gereedschap.	Breng de draadloos-eenheid correct aan.
	De aansluitingen van de draadloos-eenheid en/of de gleuf zijn vuil.	Veeg het stof en vuil op de aansluitingen van de draadloos-eenheid voorzichtig af en reinig de gleuf van de stofzuiger en/of het gereedschap.
	Er is niet op de knop voor draadloos inschakelen op het gereedschap gedrukt.	Druk kort op de knop voor draadloos inschakelen en controleer of de lamp van draadloos inschakelen blauw knippert.
	De standbyschakelaar op de stofzuiger is niet op "AUTO" gezet.	Zet de standbyschakelaar op de stofzuiger op "AUTO".
	Meer dan 10 gereedschappen zijn geregistreerd in de stofzuiger.	Voer de registratie van het gereedschap opnieuw uit. Als meer dan 10 gereedschappen in de stofzuiger zijn geregistreerd, wordt de eerste registratie van een gereedschap automatisch gewist.
	De stofzuiger heeft alle registraties van gereedschappen gewist.	Voer de registratie van het gereedschap opnieuw uit.
	Geen voeding.	Voorzie het gereedschap en de stofzuiger van voeding.
	Het gereedschap en de stofzuiger staan te ver uit elkaar (buiten het zendbereik).	Plaats het gereedschap en de stofzuiger dicht bij elkaar. Het maximale zendbereik is ongeveer 10 meter, echter, dit kan verschillen afhankelijk van de omstandigheden.
	Radiostoring door andere apparaten die sterke radiogolven genereren.	Houd het gereedschap en de stofzuiger uit de buurt van apparaten zoals Wi-Fi-apparaten en magnetrons.
De stofzuiger is ingeschakeld terwijl het gereedschap niet in gebruik is.	Andere gebruikers gebruiken op hun gereedschap de functie voor draadloos inschakelen van de stofzuiger.	Schakel de knop voor draadloos inschakelen van de andere gereedschappen uit of annuleer de registratie van de andere gereedschappen.
Kan alle registraties van gereedschappen in de stofzuiger niet wissen.	Drukken op de knop voor draadloos inschakelen op het gereedschap.	Druk op de knop voor draadloos inschakelen op de stofzuiger om alle registraties van gereedschappen te wissen.
	De standbyschakelaar op de stofzuiger is niet op "AUTO" gezet.	Zet de standbyschakelaar op de stofzuiger op "AUTO".
	De knop voor draadloos inschakelen wordt niet correct ingedrukt gehouden.	Houd de knop voor draadloos inschakelen langer dan 6 seconden ingedrukt en laat hem los nadat de lamp van draadloos inschakelen rood knippert. Houd de knop voor draadloos inschakelen nogmaals langer dan 6 seconden ingedrukt totdat de knop voor draadloos inschakelen snel rood knippert, en laat daarna de knop los.

ONDERHOUD

⚠ LET OP: Verzeker u er altijd van dat het apparaat is uitgeschakeld en de accu's zijn verwijderd voordat u inspectie- of onderhoudswerkzaamheden uitvoert.

KENNISGEVING: Gebruik nooit benzine, wasbenzine, thinner, alcohol en dergelijke. Hierdoor kunnen verkleuring, vervormingen en barsten worden veroorzaakt.

Om de VEILIGHEID en BETROUWBAARHEID van het gereedschap te handhaven, dienen alle reparaties, onderhoud of afstellingen te worden uitgevoerd bij een erkend Makita-servicecentrum of de Makita-fabriek, en altijd met gebruik van Makita-vervangingsonderdelen.

Bewaren van accessoires

Accessoires en hulpstukken die niet worden gebruikt, zoals mondstukken en borstels, kunnen worden opgeborgen op de multihaak aan de achterkant van de stofzuiger.

► **Fig.40:** 1. Multihaak 2. Accessoires en hulpstukken die niet worden gebruikt

Buizen (met een optionele stop aangebracht) kunnen in de buishouder worden geplaatst wanneer de stofzuiger gedurende een korte tijd niet wordt gebruikt.

► **Fig.41:** 1. Stop (optioneel accessoire)
2. Buishouder

De slang kan in grote cirkels rond de behuizing of handgreep van de stofzuiger worden gewikkeld en opgeborgen. Sluit de beide uiteinden ervan op elkaar aan om de cirkels te sluiten, en haak de cirkels aan de rechtopstaande handgreep. U kunt ook het achterste uiteinde aangesloten laten zitten op de slangaansluiting van de stofzuiger en de cirkel aan de multihaak hangen met het losse slanguiteinde ergens aan vastgemaakt.

► **Fig.42**

► **Fig.43**

Het poederfilter (HEPA) en voorfilter schoonmaken

Maak het poederfilter, het voorfilter en de demper regelmatig schoon aangezien verstopte filters en demper leiden tot slechte zuigprestaties.

Daarbij veegt en schudt u het stof met de hand van de filters en demper af.

► **Fig.44:** 1. Voorfilter

► **Fig.45:** 1. Demper 2. Poederfilter (HEPA)

Was af en toe het poederfilter in water, spoel het en laat het goed drogen in de schaduw voordat u het weer gebruikt. Was de filters nooit in een wasmachine.

► **Fig.46**

OPMERKING: Schrob of kras het poederfilter, het voorfilter of de demper nooit met harde voorwerpen, zoals een borstel of een schuurspons.

OPMERKING: De filters verslijten na verloop van tijd. Wij adviseren u ze in reserve paraat te houden.

OPTIONELE ACCESSOIRES

⚠ LET OP: Deze accessoires of hulpstukken worden aanbevolen voor gebruik met het Makita gereedschap dat in deze gebruiksaanwijzing is beschreven. Bij gebruik van andere accessoires of hulpstukken bestaat het gevaar van persoonlijke letsel. Gebruik de accessoires of hulpstukken uitsluitend voor hun bestemde doel.

Wenst u meer bijzonderheden over deze accessoires, neem dan contact op met het plaatselijke Makita-servicecentrum.

- Slang
- Voorste aansluitstukken (22, 24, 38)
- Rechte buis
- Telescoopbuis
- Hoekmondstuk
- Ronde borstel
- Poederfilter, HEPA (voor droog stof)
- Demper
- Voorfilter
- Mondstuk compleet
- Bochtbuis
- Polyethyleenzak
- Papieren stofzak
- MAKPAC-adapter
- Draadloos-eenheid
- Originele Makita accu's en acculaders

OPMERKING: Sommige items op de lijst kunnen zijn inbegrepen in de doos van het gereedschap als standaard toebehoren. Deze kunnen van land tot land verschillen.

ADVERTENCIA

- Esta máquina no ha sido prevista para ser utilizada por personas (incluidos niños) con capacidades físicas, sensoriales o mentales reducidas, o falta de experiencia y conocimiento.
- Los niños pequeños deberán ser supervisados para asegurarse de que no juegan con la aspiradora.
- Consulte el capítulo "ESPECIFICACIONES" para ver la referencia del tipo de batería.
- Consulte la sección "Instalación o extracción del cartucho de batería" para ver cómo retirar o instalar la batería.
- Para desechar el cartucho de batería, retírelo de la herramienta y deséchelo en un lugar seguro. Siga los reglamentos locales referentes al desecho de la batería.
- Si la herramienta no va a ser utilizada durante un periodo de tiempo largo, la batería deberá ser retirada de la herramienta.
- No cortocircuite el cartucho de batería.
- Consulte el capítulo "MANTENIMIENTO" para ver los detalles apropiados de las precauciones durante el mantenimiento hecho por el usuario.

ESPECIFICACIONES

Modelo:	VC002GL	VC004GL
Tipo de filtro estándar	Filtro de polvo (para polvo seco)	
Volumen máximo de aire (con BL4040, manguera de ø38 mm x 2,5 m)	2,7 m³/min	
Aspiración (con BL4040, manguera de ø38 mm x 2,5 m)	23 kPa	
Capacidad recuperable	8 L	15 L
Dimensiones (La x An x Al)	366 mm x 334 mm x 425 mm	366 mm x 334 mm x 475 mm
Tensión nominal	CC 36 V - 40 V máx.	
Peso neto	8,3 - 11,4 kg	8,6 - 11,7 kg
Grado de protección	IPX4	

- Debido a nuestro continuado programa de investigación y desarrollo, las especificaciones aquí dadas están sujetas a cambios sin previo aviso.
- Las especificaciones y el cartucho de batería pueden diferir de país a país.
- El peso no incluye accesorios excepto el cartucho(s) de batería. El peso de las combinaciones menos pesada y más pesada del aparato y cartucho(s) de batería se muestra en la tabla.
- Para polvo mojado, se requieren el flotador y el filtro de agua o filtro de paño.

Cartucho de batería y cargador aplicables

Cartucho de batería	BL4020 / BL4025 / BL4040* / BL4050F* / BL4080F* * : Batería recomendada
Cargador	DC40RA / DC40RB / DC40RC

- Algunos de los cartuchos de batería y cargadores indicados arriba puede que no estén disponibles dependiendo de su región de residencia.

⚠ ADVERTENCIA: Utilice solamente los cartuchos de batería y cargadores indicados arriba. La utilización de cualquier otro cartucho de batería y cargador puede ocasionar heridas y/o un incendio.

Símbolos

A continuación se muestran los símbolos que pueden ser utilizados para el equipo. Asegúrese de que entiende su significado antes de utilizar.



Lea el manual de instrucciones.



Preste cuidado y atención especiales.



¡Advertencia! La aspiradora puede contener polvo peligroso.



No se ponga nunca encima de la aspiradora.



Polvo de clase L (ligero). Las aspiradoras son capaces de recoger polvo de clase L. Siga los reglamentos de su país en relación con el polvo y la salud y seguridad laborales.



Sólo para países de la Unión Europea
Debido a la presencia de componentes peligrosos en el equipo, el equipo eléctrico y electrónico, los acumuladores y las baterías desechados pueden tener un impacto negativo para el medioambiente y la salud humana.

¡No tire los aparatos eléctricos y electrónicos ni las baterías junto con los residuos domésticos!

De conformidad con las Directivas Europeas sobre residuos de aparatos eléctricos y electrónicos y sobre acumuladores y baterías, así como la adaptación de las mismas a la ley nacional, el equipo eléctrico, las baterías y los acumuladores desechados deberán ser almacenados por separado y trasladados a un punto distinto de recogida de desechos municipales, que cumpla con los reglamentos sobre protección medioambiental.

Esto se indica mediante el símbolo de cubo de basura tachado colocado en el equipo.

Uso previsto

El aparato ha sido previsto para recoger polvo seco. El aparato es apropiado para uso comercial, por ejemplo, en hoteles, escuelas, hospitales, fábricas, tiendas, oficinas y negocios de alquiler.

Ruido

El nivel de ruido A-ponderado típico determinado de acuerdo con la norma EN60335-2-69:

Modelo VC002GL

Nivel de presión sonora (L_{pA}): 70 dB (A) o menos
Error (K): 2,5 dB (A)

Modelo VC004GL

Nivel de presión sonora (L_{pA}): 70 dB (A) o menos
Error (K): 2,5 dB (A)

El nivel de ruido en situación de trabajo puede exceder 80 dB (A).

NOTA: El valor (o los valores) de emisión de ruido declarado ha sido medido de acuerdo con un método de prueba estándar y se puede utilizar para comparar una herramienta con otra.

NOTA: El valor (o valores) de emisión de ruido declarado también se puede utilizar en una valoración preliminar de exposición.

⚠ADVERTENCIA: Póngase protectores para oídos.

⚠ADVERTENCIA: La emisión de ruido durante la utilización real de la herramienta eléctrica puede variar del valor (o los valores) de emisión declarado dependiendo de las formas en las que la herramienta sea utilizada, especialmente qué tipo de pieza de trabajo se procesa.

⚠ADVERTENCIA: Asegúrese de identificar medidas de seguridad para proteger al operario que estén basadas en una estimación de la exposición en las condiciones reales de utilización (teniendo en cuenta todas las partes del ciclo operativo como las veces cuando la herramienta está apagada y cuando está funcionando en vacío además del tiempo de gatillo).

Vibración

El valor total de la vibración (suma de vectores triaxiales) determinado de acuerdo con la norma EN60335-2-69:

Modelo VC002GL

Emisión de vibración ($a_{h,M}$): 2,5 m/s² o menos
Error (K): 1,5 m/s²

Modelo VC004GL

Emisión de vibración ($a_{h,M}$): 2,5 m/s² o menos
Error (K): 1,5 m/s²

NOTA: El valor (o los valores) total de emisión de vibración declarado ha sido medido de acuerdo con un método de prueba estándar y se puede utilizar para comparar una herramienta con otra.

NOTA: El valor (o los valores) total de emisión de vibración declarado también se puede utilizar en una valoración preliminar de exposición.

⚠ADVERTENCIA: La emisión de vibración durante la utilización real de la herramienta eléctrica puede variar del valor (o los valores) de emisión declarado dependiendo de las formas en las que la herramienta sea utilizada, especialmente qué tipo de pieza de trabajo se procesa.

⚠ADVERTENCIA: Asegúrese de identificar medidas de seguridad para proteger al operario que estén basadas en una estimación de la exposición en las condiciones reales de utilización (teniendo en cuenta todas las partes del ciclo operativo como las veces cuando la herramienta está apagada y cuando está funcionando en vacío además del tiempo de gatillo).

Declaración CE de conformidad

Para países europeos solamente

La declaración CE de conformidad está incluida como Anexo A de esta manual de instrucciones.

ADVERTENCIAS DE SEGURIDAD

Advertencias de seguridad para la aspiradora a batería

⚠ADVERTENCIA: ¡IMPORTANTE! LEA CON ATENCIÓN todas las advertencias de seguridad y todas las instrucciones ANTES DE UTILIZAR. No seguir las advertencias e instrucciones puede resultar en una descarga eléctrica, un incendio y/o heridas graves.

1. Antes de utilizar, asegúrese de que esta aspiradora sea utilizada por personas que han sido instruidas adecuadamente sobre cómo usar esta aspiradora.
2. Antes de utilizar, a los operarios se les deberá proveer información, instrucciones y adiestramiento para la utilización de la máquina y las sustancias para las que se va a utilizar, incluyendo el método seguros de remoción y desecho del material recogido.

3. Asegúrese siempre de que los filtros están instalados correctamente antes de utilizar. No utilice la aspiradora sin estar instalados los filtros. Reemplace un filtro dañado inmediatamente. Se recomienda tener algunos de repuesto porque los filtros son artículos de consumo.
4. **EVITE UNA PUESTA EN MARCHA INVOLUNTARIA.** Asegúrese de que el interruptor está desactivado cuando instale la batería(s).
5. No intente recoger materiales inflamables, fuegos de artificio, cigarrillos encendidos, cenizas calientes, virutas metálicas calientes, materiales cortantes como cuchillas de afeitar, agujas, cristales rotos o similares.
6. **NO UTILICE NUNCA LA ASPIRADORA CERCA DE GASOLINA, GAS, PINTURA, ADHESIVOS U OTRAS SUSTANCIAS ALTAMENTE EXPLOSIVAS.** El interruptor emite chispas cuando se activa y desactiva. Y también lo hace el conmutador del motor durante la operación. Puede resultar en una peligrosa explosión.
7. Nunca aspire materiales tóxicos, cancerígenos, combustibles u otros materiales peligrosos como asbestos, arsénico, bario, berilio, plomo, pesticidas, u otros materiales que puedan poner en peligro la salud.
8. Ponga siempre la aspiradora sobre una superficie horizontal plana para evitar que se caiga o se mueva accidentalmente.
9. No utilice nunca la aspiradora en exteriores bajo la lluvia.
10. Para Finlandia, esta máquina no es para ser usada en exteriores con temperatura baja.
11. No utilice cerca de fuentes de calor (estufas, etc.).
12. Si el aire expulsado es devuelto a la habitación, será necesario proveer un régimen adecuado de cambio de aire en la habitación. Consultar las normativas nacionales es necesario.
13. No bloquee las aberturas de la boca de succión/salida/ventilación. Estas aberturas permiten enfriar el motor. Deberá evitarse con cuidado que no se bloqueen, de lo contrario el motor se quemará debido a la falta de ventilación.
14. Mantenga los pies sobre suelo firme y el equilibrio en todo momento.
15. No doble, pise o tire con fuerza de la manguera.
16. Detenga la aspiradora inmediatamente si nota un mal rendimiento o algo anormal durante la operación.
17. **RETIRE LA BATERÍA(S).** Cuando no esté siendo utilizada, antes de realizar mantenimiento, y cuando cambie accesorios.
18. Limpie y haga el mantenimiento a la aspiradora inmediatamente después de cada utilización para mantenerla en las mejores condiciones de operación.
19. **MANTENGA LA ASPIRADORA CON CUIDADO.** Mantenga la aspiradora limpia para obtener un mejor y más seguro rendimiento. Siga las instrucciones cuando cambie accesorios. Mantenga los asideros secos, limpios y libres de aceite y grasa.
20. **COMPRUEBE LAS PARTES DAÑADAS.** Antes de seguir utilizando la aspiradora, un protector o cualquier otra parte que se haya dañado deberá inspeccionarse cuidadosamente para determinar que funcionará debidamente y que realizará la función para la que ha sido previsto. Compruebe la alineación de las partes móviles, la unión de las partes móviles, rotura de partes, montaje, y cualquier otra condición que pueda afectar a su operación. Un protector o cualquier otra parte que se haya dañado deberá repararse o reemplazarse debidamente en un centro de servicio autorizado a menos que se indique otra cosa en algún otro sitio en este manual de instrucciones. Pida a un centro de servicio autorizado que le reemplacen los interruptores defectuosos. No utilice la aspiradora si el interruptor no la enciende y apaga.
21. Para el servicio hecho por el usuario, hay que desmontar, limpiar y hacer el servicio a la máquina, hasta el punto que sea razonablemente factible, sin causar riesgo al personal de mantenimiento ni a otros.
22. La máquina deberá ser inspeccionada técnicamente por el fabricante, o una persona adiestrada, al menos una vez al año, consistiendo en, por ejemplo, inspección de los filtros por si están dañados, hermeticidad de la máquina y funcionamiento apropiado del mecanismo de control.
23. Cuando realice operaciones de servicio de mantenimiento o reparación, todos los elementos contaminados que no se puedan limpiar satisfactoriamente deberán ser desechados; tales elementos deberán ser desechados en bolsas impenetrables de acuerdo con cualquier reglamento actual para el desecho de dichos residuos.
24. **PIEZAS DE REPUESTO.** Cuando haga el mantenimiento, utilice solamente piezas de repuesto idénticas.
25. **GUARDE LA ASPIRADORA SI NO LA ESTÁ UTILIZANDO.** Cuando no esté siendo utilizada, la aspiradora deberá estar guardada en interiores.
26. Sea amable con su aspiradora. Un manejo brusco puede ocasionar la rotura de incluso la aspiradora más robusta.
27. No intente limpiar el interior o exterior con bencina, diluyente o productos químicos de limpieza. Podrá ocasionar grietas o decoloración.
28. No utilice la aspiradora en un espacio cerrado donde puedan desprenderse vapores inflamables, explosivos o tóxicos de pintura a base de aceite, disolventes de pintura, gasolina, algunas sustancias contra las polillas, etc., o en áreas donde haya polvo inflamable.
29. No opere esta o cualquier otra herramienta bajo la influencia de drogas o alcohol.

30. Como norma básica de seguridad, utilice gafas de protección o gafas de seguridad con escudos laterales.
31. Utilice una máscara contra el polvo en condiciones de trabajo polvorientas.
32. Esta máquina no ha sido prevista para ser utilizada por personas (incluidos niños) con capacidades físicas, sensoriales o mentales reducidas, o falta de experiencia y conocimiento.
33. Los niños pequeños deberán ser supervisados para asegurarse de que no juegan con la aspiradora.
34. No maneje nunca la batería(s) y la aspiradora con las manos mojadas.
35. Tenga mucho cuidado cuando limpie en escaleras.
36. No utilice la aspiradora como taburete o mesa de trabajo. La máquina podrá caerse y resultar en heridas personales.
37. No recoja espuma ni líquido jabonoso. Puede ocasionar que emerja espuma por la salida de aire, resultando en una descarga eléctrica y daños a la aspiradora.

Utilización y cuidado de la herramienta a batería

1. **Cargue la batería solamente con el cargador especificado por el fabricante.** Un cargador que es apropiado para un tipo de batería puede crear un riesgo de incendio cuando se utiliza con otra batería.
2. **Utilice las herramientas eléctricas solamente con las baterías designadas específicamente para ellas.** La utilización de cualquier otra batería puede crear un riesgo de heridas o incendio.
3. **Cuando la batería no esté siendo utilizada, guárdela alejada de otros objetos metálicos, como sujetapapeles, monedas, llaves, clavos, tornillos u otros objetos metálicos pequeños, que puedan hacer conexión entre un terminal y el otro.** Si se cortocircuitan entre sí los terminales de la batería podrán producirse quemaduras o un incendio.
4. **En condiciones abusivas, es posible que salga expulsado líquido de la batería; evite el contacto con él.** Si se produce un contacto accidental, enjuague con agua. Si el líquido entra en los ojos, además de enjuagarlos, solicite asistencia médica. El líquido expulsado de la batería puede ocasionar irritación y quemaduras.
5. **No utilice una batería o herramienta que esté dañada o modificada.** Las baterías dañadas o modificadas pueden comportarse de forma impredecible resultando en un incendio, explosión o riesgo de heridas.
6. **No exponga una batería o herramienta al fuego o a temperatura excesiva.** La exposición al fuego o a una temperatura superior a los 130 °C puede ocasionar una explosión.
7. **Siga todas las instrucciones de carga y no cargue la batería o la herramienta fuera del rango de temperatura especificado en las instrucciones.** Cargar incorrectamente o a temperaturas fuera del rango especificado puede dañar la batería y aumentar el riesgo de incendio.

GUARDE ESTAS INSTRUCCIONES.

⚠ADVERTENCIA: NO deje que la comodidad o familiaridad con el producto (a base de utilizarlo repetidamente) sustituya la estricta observancia de las normas de seguridad para el producto en cuestión. El MAL USO o el no seguir las normas de seguridad establecidas en este manual de instrucciones podrá ocasionar heridas personales graves.

Instrucciones de seguridad importantes para el cartucho de batería

1. **Antes de utilizar el cartucho de batería, lea todas las instrucciones e indicaciones de precaución sobre (1) el cargador de baterías, (2) la batería, y (3) el producto con el que se utiliza la batería.**
 2. **No desensamble ni manipule el cartucho de batería.** Podrá resultar en un incendio, calor excesivo, o una explosión.
 3. **Si el tiempo de uso se acorta demasiado, cese la operación inmediatamente.** Podría resultar en un riesgo de recalentamiento, posibles quemaduras e incluso una explosión.
 4. **Si entra electrólito en sus ojos, aclárelos con agua limpia y acuda a un médico inmediatamente.** Existe el riesgo de poder perder la vista.
 5. **No cortocircuite el cartucho de batería:**
 - (1) **No toque los terminales con ningún material conductor.**
 - (2) **Evite guardar el cartucho de batería en un cajón junto con otros objetos metálicos, como clavos, monedas, etc.**
 - (3) **No exponga el cartucho de batería al agua ni a la lluvia.**
- Un cortocircuito en la batería puede producir una gran circulación de corriente, un recalentamiento, posibles quemaduras e incluso una rotura de la misma.
6. **No guarde ni utilice la herramienta y el cartucho de batería en lugares donde la temperatura pueda alcanzar o exceder los 50 °C.**
 7. **Nunca incinere el cartucho de batería incluso en el caso de que esté dañado seriamente o ya no sirva en absoluto.** El cartucho de batería puede explotar si se tira al fuego.
 8. **No clave, corte, aplaste, lance, deje caer el cartucho de batería, ni golpee contra un objeto duro el cartucho de batería.** Tal conducta podrá resultar en un incendio, calor excesivo, o una explosión.
 9. **No utilice una batería dañada.**
 10. **Las baterías de litio-ion contenidas están sujetas a los requisitos de la Legislación para Materiales Peligrosos.**

Para transportes comerciales, p.ej., por terceras personas y agentes de transportes, se deberán observar requisitos especiales para el empaquetado y etiquetado.

Para la preparación del artículo que se va a enviar, se requiere consultar con un experto en materiales peligrosos. Por favor, observe también la posibilidad de reglamentos nacionales más detallados.

Cubra con cinta aislante o enmascare los contactos expuestos y empaquete la batería de tal manera que no se pueda mover alrededor dentro del embalaje.

11. **Para desechar el cartucho de batería, retírelo de la herramienta y deséchelo en un lugar seguro. Siga los reglamentos locales referentes al desecho de la batería.**
12. **Utilice las baterías solamente con los productos especificados por Makita.** La instalación de las baterías en productos no compatibles puede resultar en un incendio, calor excesivo, explosión, o fuga de electrolito.
13. **Si la herramienta no va a ser utilizada durante un periodo de tiempo largo, la batería deberá ser retirada de la herramienta.**
14. **Durante y después de la utilización, el cartucho de batería podrá acumular calor, lo cual puede ocasionar quemaduras o quemaduras de baja temperatura. Preste atención al manejo de cartuchos de batería calientes.**
15. **No toque el terminal de la herramienta inmediatamente después de utilizar, dado que puede calentarse lo suficiente como para ocasionar quemaduras.**
16. **No permita que virutas, polvo, o tierra se adhieran dentro de los terminales, orificios, y ranuras del cartucho de batería.** Esto podría ocasionar calentamiento, que coja fuego, reviente y un mal funcionamiento de la herramienta o el cartucho de batería, resultando en quemaduras o heridas personales.
17. **A menos que la herramienta pueda utilizarse cerca de cables eléctricos de alta tensión, no utilice el cartucho de batería cerca de cables eléctricos de alta tensión.** Podrá resultar en un mal funcionamiento o rotura de la herramienta o el cartucho de batería.
18. **Mantenga la batería alejada de los niños.**

GUARDE ESTAS INSTRUCCIONES.

⚠PRECAUCIÓN: Utilice solamente baterías genuinas de Makita. La utilización de baterías no genuinas de Makita, o baterías que han sido alteradas, puede resultar en una explosión de la batería ocasionando incendios, heridas personales y daños. También anulará la garantía de Makita para la herramienta y el cargador de Makita.

Consejos para alargar al máximo la vida de servicio de la batería

1. **Cargue el cartucho de batería antes de que se descargue completamente. Detenga siempre la operación y cargue el cartucho de batería cuando note menos potencia en la herramienta.**
2. **No cargue nunca un cartucho de batería que esté completamente cargado. La sobrecarga acortará la vida de servicio de la batería.**
3. **Cargue el cartucho de batería a temperatura ambiente de 10 °C - 40 °C. Si un cartucho de batería está caliente, déjelo enfriar antes de cargarlo.**

4. **Cuando no esté utilizando el cartucho de batería, retírelo de la herramienta o del cargador.**
5. **Cargue el cartucho de batería si no lo utiliza durante un periodo de tiempo prolongado (más de seis meses).**

Instrucciones de seguridad importantes para la unidad inalámbrica

1. **No desmonte o manipule la unidad inalámbrica.**
2. **Mantenga la unidad inalámbrica alejada de niños pequeños. Si se ingiere accidentalmente, solicite atención médica inmediatamente.**
3. **Utilice la unidad inalámbrica solamente con herramientas Makita.**
4. **No exponga la unidad inalámbrica a la lluvia o a condiciones que se pueda mojar.**
5. **No utilice la unidad inalámbrica en lugares donde la temperatura exceda los 50 °C.**
6. **No utilice la unidad inalámbrica en lugares donde se encuentren cerca instrumentos médicos, tales como marcapasos cardíacos.**
7. **No utilice la unidad inalámbrica en lugares donde se encuentren cerca dispositivos automatizados. Si la utiliza, los dispositivos automatizados podrán desarrollar un mal funcionamiento o error.**
8. **No utilice la unidad inalámbrica en lugares de temperatura alta o lugares donde se pueda generar electricidad estática o ruido eléctrico.**
9. **La unidad inalámbrica puede producir campos electromagnéticos (CEM), pero no son perjudiciales para el usuario.**
10. **La unidad inalámbrica es un instrumento de precisión. Tenga cuidado de no dejar caer o golpear la unidad inalámbrica.**
11. **Evite tocar el terminal de la unidad inalámbrica con las manos desnudas o materiales metálicos.**
12. **Retire siempre la batería del producto cuando vaya a instalar la unidad inalámbrica en él.**
13. **Cuando abra la tapa de la ranura, evite los lugares donde polvo y agua puedan entrar en la ranura. Mantenga siempre limpia la abertura de la ranura.**
14. **Inserte siempre la unidad inalámbrica en la dirección correcta.**
15. **No presione el botón de activación inalámbrica en la unidad inalámbrica con fuerza ni presione el botón con un objeto de borde cortante.**
16. **Cierre siempre la tapa de la ranura cuando esté realizando operaciones.**
17. **No retire la unidad inalámbrica de la ranura mientras se esté suministrando alimentación a la herramienta. Si lo hace podrá ocasionar un mal funcionamiento de la unidad inalámbrica.**
18. **No retire la etiqueta adhesiva de la unidad inalámbrica.**

19. No ponga ninguna etiqueta adhesiva en la unidad inalámbrica.
20. No deje la unidad inalámbrica en un lugar donde se pueda generar electricidad estática o ruido eléctrico.
21. No deje la unidad inalámbrica en un lugar expuesto a mucho calor, tal como dentro de un automóvil aparcado al sol.
22. No deje la unidad inalámbrica en un lugar polvoriento o polvoroso o en un lugar donde se pueda generar gas corrosivo.
23. Un cambio repentino de la temperatura puede cubrir de rocío la unidad inalámbrica. No utilice la unidad inalámbrica hasta que el rocío se haya secado completamente.
24. Cuando limpie la unidad inalámbrica, frote con cuidado con un paño suave y seco. No utilice benzina, disolvente, grasa conductora o algo similar.
25. Cuando almacene la unidad inalámbrica, manténgala en la funda suministrada o en un contenedor libre de electricidad estática.
26. No inserte ningún dispositivo excepto la unidad inalámbrica de Makita en la ranura de la herramienta.
27. No utilice la herramienta con la tapa de la ranura dañada. Si entra en la ranura agua, polvo o suciedad puede ocasionar un mal funcionamiento.
28. No tire de la tapa de la ranura ni la retuerza más de lo necesario. Vuelva a colocar la tapa si se desprende de la herramienta.
29. Reemplace la tapa de la ranura si se pierde o se daña.

GUARDE ESTAS INSTRUCCIONES.

DESCRIPCIÓN DE LAS PARTES

- **Fig. 1:** 1. Unidad del cabezal 2. Filtro de polvo (HEPA) 3. Amortiguador 4. Prefiltro 5. Depósito

DESCRIPCIÓN DEL FUNCIONAMIENTO

⚠PRECAUCIÓN: Asegúrese siempre de que el aparato está apagado y los cartuchos de batería han sido retirados antes de ajustar o comprobar una función en el aparato.

Instalación o extracción del cartucho de batería

⚠PRECAUCIÓN: Apague siempre el aparato antes de instalar o retirar cartuchos de batería.

⚠PRECAUCIÓN: Sujete la aspiradora y los cartuchos de batería con firmeza cuando instale o extraiga cartuchos de batería. En caso contrario podrá ocasionar que se deslicen de sus manos, resultando en daños a la aspiradora y a los cartuchos de batería o heridas personales.

⚠PRECAUCIÓN: Tenga cuidado de no pillarse los dedos cuando abra o cierre la tapa de la batería. En caso contrario podrán producirse heridas personales.

La aspiradora tiene doble ranura para batería. Con dos baterías idénticas en paralelo, puede alargar el tiempo de funcionamiento en uno o más usos sin tener que parar para recargar baterías. La aspiradora también funciona con una sola batería, por lo que puede escoger entre usar con batería doble o batería sencilla de acuerdo con sus necesidades.

► **Fig. 2:** 1. Ranura para batería izquierda 2. Ranura para batería derecha

Con batería doble

El accionamiento continuo con dos baterías permite un tiempo de funcionamiento más largo y una limpieza más eficiente. Cuando la primera batería se está quedando vacía, la aspiradora cambia automáticamente la fuente de alimentación, de manera que continúa funcionando con la segunda batería.

NOTA: La ranura para batería izquierda (vista desde la parte frontal de la aspiradora) tiene prioridad sobre la ranura para batería derecha. La ranura para batería derecha solo será identificada como fuente de alimentación cuando en la ranura para batería izquierda no haya instalada una batería, o bien cuando la batería de la ranura para batería izquierda se vacíe.

NOTA: Puede retirar la batería de la ranura para batería izquierda y recargarla después de que la aspiradora haya cambiado su fuente de alimentación de la ranura para batería izquierda a la derecha sin dejar de funcionar. Para dar de nuevo prioridad a la ranura para batería izquierda después de instalar una batería recargada, vuelva a poner en marcha la aspiradora.

Con una sola batería

Solo se requiere una batería como fuente de alimentación en la ranura para batería izquierda o bien en la derecha. La aspiradora determina automáticamente qué ranura para batería está disponible de acuerdo con las condiciones de funcionamiento.

Instalación y desinstalación

Para instalar cartuchos de batería, primero libere el bloqueo, y abra la tapa de la batería. Después inserte los cartuchos de batería.

► **Fig.3:** 1. Bloqueo 2. Tapa de la batería

Alinee las lengüetas de los cartuchos de batería con las acanaladuras del alojamiento de batería y deslícelos al interior hasta encajarlos en su sitio. Insértelos a fondo hasta que se bloqueen en su sitio con un leve chasquido. Después bloquee la tapa de la batería.

► **Fig.4:** 1. Cartucho de batería 2. Botón

Para retirar los cartuchos de batería, deslícelos hacia afuera de los alojamientos de batería mientras mantiene presionados los botones de la parte frontal de los cartuchos.

⚠PRECAUCIÓN: Instale siempre el cartucho de batería completamente. En caso contrario, podrá caerse accidentalmente del aparato y ocasionarle heridas a usted o a alguien que esté cerca de usted.















⚠PRECAUCIÓN: No instale el cartucho de batería empleando fuerza. Si el cartucho no se desliza al interior fácilmente, será porque no está siendo insertado correctamente.

NOTA: Cuando la aspiradora cambia la fuente de alimentación de la primera batería a la segunda, puede que se requiera una pausa temporal para operaciones, ocasionando una ligera pérdida de succión. Tenga en cuenta que esto no es un mal funcionamiento de modo que la aspiradora se recuperará y reanudará las operaciones inmediatamente después de la pausa.

Modo de indicar la capacidad de batería restante

Presione el botón de comprobación en el cartucho de batería para indicar la capacidad de batería restante. Las lámparas indicadoras se iluminan durante unos pocos segundos.

► **Fig.5:** 1. Lámparas indicadoras 2. Botón de comprobación

Lámparas indicadoras			Capacidad restante
 Iluminada	 Apagada	 Parpadeando	
			75% a 100%
			50% a 75%
			25% a 50%
			0% a 25%
			Cargue la batería.
			Puede que la batería no esté funcionando bien.

NOTA: Dependiendo de las condiciones de utilización y de la temperatura ambiente, la indicación podrá variar ligeramente de la capacidad real.









NOTA: La primera lámpara indicadora (extremo izquierdo) parpadeará cuando el sistema de protección de la batería esté funcionando.

Indicadores de batería del panel de control

La capacidad de batería restante se puede leer en el panel de control en cualquier momento. Presione el botón de comprobación, y los indicadores izquierdo y derecho mostrarán los niveles de carga de las baterías correspondientemente.

► **Fig.6:** 1. Indicadores de batería 2. Botón de comprobación

► **Fig.7**

Estado del indicador de batería			Capacidad de batería restante
 Encendido	 Apagado	 Parpadeando	
			50% a 100%
			20% a 50%
			0% a 20%
			Cargue la batería
			No hay batería insertada

NOTA: Los indicadores de batería también se activarán cuando la aspiradora comience a funcionar o cambie su fuente de alimentación de una a la otra.

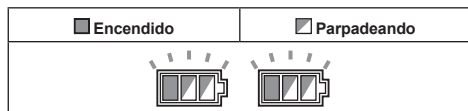
Sistema de protección del aparato/batería

El aparato está equipado con un sistema de protección del aparato/batería. Este sistema corta automáticamente la alimentación del motor para alargar la vida útil del aparato y la batería. El aparato se detendrá automáticamente durante la operación si el aparato o la batería es puesto en una de las condiciones siguientes:

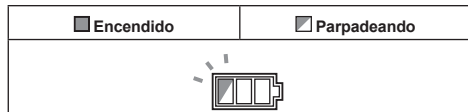
Protección contra sobrecarga

Cuando el aparato/batería sea utilizado de manera que tenga que absorber una corriente anormalmente alta, el aparato se parará automáticamente. En esta situación, apague el aparato y detenga la tarea que ocasiona la sobrecarga del aparato. Después encienda el aparato para volver a empezar.

Protección contra el recalentamiento



Cuando el aparato se recalienta, se detiene automáticamente, y ambos indicadores de batería izquierdo y derecho parpadean. En esta situación, deje que el aparato se enfríe antes de encenderlo otra vez.



Cuando la batería se recalienta, el aparato se detiene automáticamente, y uno de los indicadores, el de la batería recalentada, parpadea. En esta situación, deje que la batería se enfríe antes de encender el aparato otra vez.

Protección contra descarga excesiva

Cuando la capacidad de batería sea baja, el aparato se detendrá automáticamente. Si el aparato no se pone en marcha junto con la operación del interruptor, retire las baterías del aparato y recárguelas.

Protección contra otras causas

También hay un sistema de protección diseñado para otras causas que pueden dañar el aparato y permite al aparato detenerse automáticamente. Realice todos los pasos siguientes para despejar las causas, cuando el aparato haya sido llevado a una pausa temporal o a una parada en la operación.

1. Apague el aparato, y después enciéndalo otra vez para volver a empezar.
2. Cargue la(s) batería(s) o reemplácela(s) con una batería(s) regarda(s).
3. Deje que el aparato y la(s) batería(s) se enfríe(n).

Si no se nota una mejora al restablecer el sistema de protección, póngase en contacto con el centro de servicio Makita local.

Accionamiento del interruptor

Encendido de la aspiradora

1. Gire el interruptor de espera a la posición "I" (encender) o "AUTO" (encender) para tener la aspiradora lista en modo de espera.
2. Presione el botón de alimentación. Para volver a cambiar al modo de espera, presione el botón de alimentación otra vez.

Apagado de la aspiradora

Realice uno de los pasos siguientes.

- Presione el botón de alimentación para volver a poner la aspiradora en modo de espera, y después gire el interruptor de espera a la posición "O" (apagar).
- Gire el interruptor de espera a la posición "O" (apagar).

Ajuste de la fuerza de succión

La potencia de succión se puede ajustar de acuerdo con las necesidades de su trabajo.

- Gire el pomo de ajuste de la fuerza de succión hacia la izquierda para reducir la fuerza de succión.
- Gire el pomo de ajuste de la fuerza de succión hacia la derecha para aumentar la fuerza de succión.

► **Fig.8:** 1. Interruptor de espera 2. Botón de alimentación 3. Pomo de ajuste de la fuerza de succión

Bloqueo y desbloqueo de las ruedecillas

Las ruedecillas traseras se pueden bloquear con los retenedores para ayudar a la aspiradora a permanecer inmóvil.

Baje la palanca del retenedor manualmente para bloquear la ruedecilla, y súbala para liberarla.

► **Fig.9:** 1. Ruedecilla 2. Palanca del retenedor 3. Posición LIBRE 4. Posición BLOQUEADA

NOTA: Cuando vaya a mover la aspiradora, asegúrese de que la ruedecilla está desbloqueada. Mover la aspiradora con la ruedecilla en posición bloqueada puede ocasionar daños a la ruedecilla.

Empuñadura de transporte

PRECAUCIÓN: Levante y transporte el aparato con mucho cuidado. En caso contrario podrá resultar en heridas personales o daños al aparato.

Cuando transporte la aspiradora, transpórtela sujetándola por la empuñadura de la unidad del cabezal. La empuñadura se repliega sobre la unidad del cabezal cuando no se utiliza.

► **Fig.10**

MONTAJE

PRECAUCIÓN: Asegúrese siempre de que el aparato está apagado y los cartuchos de batería han sido retirados antes de realizar cualquier trabajo en el aparato.

PRECAUCIÓN: Póngase siempre máscara contra el polvo durante el montaje o el mantenimiento.

Instalación del filtro de polvo (HEPA) y el prefiltro (para polvo seco)

PRECAUCIÓN: No recoja nunca agua u otros líquidos o polvo mojado cuando esté utilizando el filtro de polvo. Recoger tales cosas puede ocasionar la rotura del filtro de polvo.

Para utilizar el filtro de polvo:

1. Coloque el prefiltro dentro del depósito alineando las marcas de posición de montaje del prefiltro y del depósito.
 2. Coloque el amortiguador dentro del prefiltro, y después ponga el filtro de polvo encima del amortiguador alineando las marcas de posición de montaje del filtro de polvo y del prefiltro.
 3. Monte la unidad del cabezal encima del depósito y sujételos con los enganches de bloqueo.
- **Fig.11:** 1. Unidad del cabezal 2. Filtro de polvo (HEPA) 3. Amortiguador 4. Prefiltro 5. Depósito 6. Marca de posición de montaje

AVISO: Antes de utilizar el filtro de polvo, asegúrese de que el prefiltro y el amortiguador se utilizan siempre juntos. No está permitido instalar solamente el filtro de polvo.

Instalación del paquete de papel

Accesorios opcionales

⚠ADVERTENCIA: Antes de utilizar el paquete de papel, asegúrese de que el prefiltro se utiliza conjuntamente. Si no utiliza el prefiltro conjuntamente podrá ocasionar ruido inusual y calentamiento, resultando en un incendio.

AVISO: No recoja nunca agua u otros líquidos ni polvo mojado cuando esté utilizando un paquete de papel. Recoger tales cosas puede ocasionar la rotura del paquete de papel.

AVISO: Antes de utilizar un paquete de papel, asegúrese de que el filtro de polvo, el amortiguador y el prefiltro se utilizan siempre conjuntamente.

1. Despliegue un paquete de papel.
2. Alinee la abertura del paquete de papel con el orificio de entrada de polvo del depósito.
3. Instale el paquete de papel dentro del depósito con su abertura de cartón enganchada en el soporte del paquete de papel.

► **Fig.12:** 1. Paquete de papel 2. Abertura de cartón 3. Soporte del paquete de papel 4. Orificio de entrada de polvo

Instalación de la bolsa de polietileno

Con la bolsa de polietileno instalada en el depósito, puede vaciar fácilmente el depósito sin mancharse las manos.

Coloque una bolsa de polietileno sobre el depósito, y deslice un lado del borde superior de la bolsa en su extremo abierto entre la placa del soporte y la pared delantera del depósito.

► **Fig.13:** 1. Placa del soporte 2. Pared delantera del depósito 3. Bolsa de polietileno

Extienda los otros bordes superiores de la bolsa hacia afuera sobre los bordes superiores del depósito. Ponga el prefiltro sobre la bolsa de polietileno para sujetar la abertura de la bolsa firmemente.

► **Fig.14:** 1. Prefiltro

NOTA: Se puede utilizar una bolsa de polietileno disponible en el comercio. Se recomienda una de 0,04 mm o más gruesa.

NOTA: Demasiado polvo rasgará la bolsa fácilmente, por lo que no recoja polvo más que hasta la mitad de la capacidad de la bolsa.

Vaciado del depósito con la bolsa de polietileno

⚠ADVERTENCIA: Asegúrese siempre de que la aspiradora está apagada y los cartuchos de batería han sido retirados antes de vaciar el depósito. En caso contrario podrá ocasionar una descarga eléctrica y heridas personales graves.

AVISO: No aplique un impacto fuerte en el depósito. Si aplica un impacto fuerte podrá ocasionar deformación y daños a las partes.

AVISO: Vacíe el depósito al menos una vez al día aunque esto dependerá del volumen de polvo recogido en el depósito. O, la fuerza de succión se debilitará y el motor podrá romperse.

AVISO: No agarre los ganchos ni los enganches cuando vacíe el depósito. Si agarra los ganchos o los enganches podrá ocasionar que se rompan.

Libere los enganches de bloqueo y levante la unidad del cabezal para retirarla del depósito. Sacuda el polvo del prefiltro antes de levantar el filtro y retirarlo del depósito.

Después retire la bolsa de polietileno del depósito, cerrando la abertura de la bolsa manualmente.

► **Fig.15:** 1. Bolsa de polietileno 2. Depósito

NOTA: Extraiga la bolsa de polietileno del depósito con cuidado para evitar que se arañe y se rasgue con los bordes dentro del depósito.

NOTA: Vacíe la bolsa de polietileno antes de que se llene. Demasiado polvo en el depósito puede ocasionar que la bolsa de polietileno se rasgue.

Instalación del gancho múltiple

Utilice el gancho múltiple para sujetar una manguera, accesorios y aditamentos que no se estén usando, y podrá extraerlos rápidamente de acuerdo con sus preferencias.

► **Fig.16**

Coloque el gancho múltiple sobre la base de montaje de la parte trasera de la aspiradora, guiando los rieles del gancho múltiple a lo largo de las ranuras de la base de montaje.

► **Fig.17:** 1. Gancho múltiple 2. Base de montaje

Instalación del adaptador MAKPAC

Accesorios opcionales

En la parte superior de la aspiradora se pueden instalar cajas de almacenamiento MAKPAC conectables y apilables con un adaptador opcional. Las cajas están disponibles en muchos tamaños y estilos para satisfacer sus preferencias.

Coloque el gancho de la base de montaje encima de la empuñadura de la aspiradora con su superficie de montaje orientada hacia arriba cuando la empuñadura está plegada en posición cerrada.

- **Fig.18:** 1. Gancho de la base de montaje
2. Superficie de montaje 3. Empuñadura

Monte el adaptador MAKPAC encima del gancho de la base de montaje, y sujételos juntos con cuatro tornillos provistos.

- **Fig.19:** 1. Adaptador MAKPAC 2. Gancho de la base de montaje 3. Tornillo

Levante la barra de empuje y apriete el pomo para preparar la instalación de las cajas MAKPAC encima de la aspiradora.

- **Fig.20:** 1. Barra de empuje 2. Pomo

NOTA: Para ver detalles sobre la instalación de las cajas MAKPAC, consulte las instrucciones provistas con el adaptador MAKPAC y las cajas.

Instalación de la manguera

AVISO: No fuerce nunca la manguera para doblarla ni la aplaste con el pie. No mueva nunca la aspiradora tirando de la manguera. Forzar la manguera, aplastarla con el pie y tirar de ella podrá ocasionar una rotura o deformación de la manguera.

AVISO: Cuando recoja residuos grandes tales como virutas de cepilladora, polvo de cemento o similares distintos de residuos pequeños, utilice la manguera de diámetro interior de 38 mm (accesorio opcional). La utilización de la manguera de diámetro interior de 28 mm (accesorio opcional) puede ocasionar un relleno de la manguera y daños.

Conexión a la aspiradora

Inserte el extremo de la manguera en el orificio de entrada de polvo (boca para manguera) de la aspiradora, después gírelo hacia la derecha hasta que se bloquee en su sitio.

- **Fig.21:** 1. Manguera 2. Orificio de entrada de polvo (boca para manguera)

Conexiones con sus herramientas de trabajo (Específico para cada país)

Mediante la conexión de la aspiradora a cualquier herramienta de trabajo disponible compatible con la aspiradora, esta funciona como un extractor de polvo para sus herramientas eléctricas.

Seleccione uno de los manguitos delanteros o acopladores (accesorios opcionales) que resulte más apropiado para el modelo de su herramienta. Coloque los manguitos o el acoplador, según sea necesario, entre el extremo delantero de la manguera de la aspiradora y el conector para extracción de polvo de su herramienta.

- **Fig.22:** 1. Manguitos delanteros o acoplador 2. Manguera de la aspiradora
3. Herramienta eléctrica 4. Aspiradora

Instalación o desmontaje de accesorios de aspiradora

PRECAUCIÓN: Después de instalar un accesorio, compruebe que está instalado firmemente. Si el accesorio está instalado incorrectamente, se puede caer y ocasionar heridas personales.

Cuando utilice el accesorio sin función de bloqueo

Accesorios opcionales

Inserte un accesorio en la boca de succión de la aspiradora empujándolo y enroscándolo en su sitio manualmente.

Retuerza y extraiga el accesorio de la boca de succión manualmente después de la utilización.

- **Fig.23**

Aditamentos con función de bloqueo

Accesorios opcionales

AVISO: Cuando instale el accesorio con función de bloqueo, asegúrese de alinear el botón de liberación con el gancho del accesorio. Si no están alineados, el accesorio no se bloqueará y se podrá caer de la aspiradora.

Inserte un accesorio en la boca de succión de la aspiradora empujándolos entre sí hasta que suene un chasquido.

Para retirar el accesorio, tire de él mientras presiona el botón de liberación.

- **Fig.24:** 1. Boca de succión con función de bloqueo
2. Botón de liberación 3. Aditamento con función de bloqueo

NOTA: Un aditamento con función de bloqueo solo se puede instalar en la boca de succión con función de bloqueo.

- **Fig.25:** 1. Aditamento con función de bloqueo
2. Boca de succión con función de bloqueo
3. Boca de succión sin función de bloqueo

Ajuste de longitudes del tubo de extensión tipo deslizable

Accesorios opcionales

Un tubo de extensión tipo deslizable se puede combinar para longitudes más cortas y más largas. Esto permite limpiar áreas de difícil acceso y opciones para una postura cómoda.

Empuje hacia dentro y tire hacia afuera del tubo deslizable para cambiar las longitudes mientras mantiene presionado el botón deslizable.

Suelte el botón deslizable para bloquear el tubo deslizable en la posición que desee.

- **Fig.26:** 1. Tubo deslizable 2. Botón deslizable

FUNCIÓN DE ACTIVACIÓN INALÁMBRICA

Lo que puede hacer con la función de activación inalámbrica

La función de activación inalámbrica permite realizar una operación limpia y cómoda. Conectando a la aspiradora una herramienta compatible, puede poner en marcha automáticamente la aspiradora junto con la operación del interruptor de la herramienta.

► Fig.27

AVISO: Asegúrese de consultar el manual de instrucciones de la herramienta cuando utilice la aspiradora con función de activación inalámbrica.

AVISO: No desmonte o manipule la unidad inalámbrica.

AVISO: Para evitar que el polvo entre en la ranura de la unidad inalámbrica, cierre siempre la tapa firmemente durante la operación y el almacenamiento.

AVISO: No retire la unidad inalámbrica mientras se esté suministrando alimentación. Si lo hace podrá ocasionar un mal funcionamiento de la unidad inalámbrica.

AVISO: No presione el botón de activación inalámbrica con fuerza y/o presione el botón con un objeto de borde cortante.

NOTA: La activación inalámbrica necesita de herramientas Makita equipadas con la unidad inalámbrica.

NOTA: Antes de la utilización inicial de la función de activación inalámbrica con cada herramienta, se requiere hacer el registro de herramienta. Una vez terminado el registro con la herramienta, no será necesario volver a hacer el registro a menos que este sea cancelado.

NOTA: Antes de hacer el registro, asegúrese de que la unidad inalámbrica está insertada debidamente.

NOTA: Una unidad inalámbrica puede registrar hasta 10 enlaces con otras unidades inalámbricas. Si hay más de otras 10 unidades inalámbricas registradas a una unidad inalámbrica, la más antigua registrada se cancelará automáticamente.

NOTA: La posición del botón de activación inalámbrica varía dependiendo de la herramienta.

NOTA: La aspiradora también se pone en marcha presionando el botón de alimentación cuando el interruptor de espera está ajustado a "AUTO". Sin embargo, el botón de alimentación no se accionará cuando se utilice la función de activación inalámbrica.

Instalación de la unidad inalámbrica

PRECAUCIÓN: Ponga la aspiradora sobre una superficie plana y estable cuando instale la unidad inalámbrica.

AVISO: Limpie el polvo y la suciedad de la aspiradora antes de instalar la unidad inalámbrica. El polvo o la suciedad puede ocasionar un mal funcionamiento si entra en la ranura de la unidad inalámbrica.

AVISO: Para evitar el mal funcionamiento causado por la electricidad estática, toque un material en el que se descargue la electricidad estática, tal como una pieza metálica, antes de coger la unidad inalámbrica.

AVISO: Cuando instale la unidad inalámbrica, asegúrese siempre de que la unidad inalámbrica está insertada en la dirección correcta y que la tapa está completamente cerrada.

1. Abra la tapa de la aspiradora como se muestra en la figura.

► Fig.28: 1. Tapa

2. Inserte la unidad inalámbrica en la ranura y después cierre la tapa.

Cuando inserte la unidad inalámbrica, alinee los salientes con las porciones embutidas de la ranura.

► Fig.29: 1. Unidad inalámbrica 2. Saliente 3. Tapa 4. Porción embutida

Cuando retire la unidad inalámbrica, abra la tapa despacio. Los ganchos de la parte trasera de la tapa alzarán la unidad inalámbrica a medida que usted levanta la tapa.

► Fig.30: 1. Unidad inalámbrica 2. Gancho 3. Tapa

Después de retirar la unidad inalámbrica, manténgala dentro de la funda suministrada o en un contenedor libre de electricidad estática.

AVISO: Utilice siempre los ganchos de la parte trasera de la tapa cuando retire la unidad inalámbrica. Si los ganchos no agarran la unidad inalámbrica, cierre la tapa completamente y ábrala despacio otra vez.

Registro de herramienta para la aspiradora

NOTA: Para el registro de herramienta se requiere una herramienta Makita compatible con la función de activación inalámbrica.

NOTA: Termine de instalar la unidad inalámbrica en la herramienta antes de comenzar el registro de herramienta.

NOTA: Durante el registro de herramienta, no apriete el gatillo interruptor de la herramienta o active el interruptor de alimentación de la aspiradora.

NOTA: Consulte el manual de instrucciones de la herramienta, también.

Si desea activar la aspiradora junto con la operación del interruptor de la herramienta, termine el registro de herramienta de antemano.

1. Instale las unidades inalámbricas en la aspiradora y la herramienta, respectivamente.

2. Instale las baterías en la aspiradora y la herramienta.

3. Ajuste el interruptor de espera de la aspiradora a "AUTO".

► **Fig.31:** 1. Interruptor de espera

4. Presione el botón de activación inalámbrica en la aspiradora durante 3 segundos hasta que la lámpara de activación inalámbrica parpadee en verde. Y después presione el botón de activación inalámbrica en la herramienta de la misma manera.

► **Fig.32:** 1. Botón de activación inalámbrica
2. Lámpara de activación inalámbrica

Si la aspiradora y la herramienta están vinculadas correctamente, las lámparas de activación inalámbrica se iluminarán en verde durante 2 segundos y comenzarán a parpadear en azul.

NOTA: Las lámparas de activación inalámbrica dejarán de parpadear en verde después de transcurrir 20 segundos. Presione el botón de activación inalámbrica en la herramienta mientras la lámpara de activación inalámbrica en la aspiradora está parpadeando. Si la lámpara de activación inalámbrica no parpadea en verde, presione el botón de activación inalámbrica brevemente y manténgalo presionado otra vez.

NOTA: Cuando realice dos o más registros de herramienta para la aspiradora, termine el registro de herramienta de uno en uno.

Inicio de la función de activación inalámbrica

NOTA: Termine el registro de herramienta para la aspiradora para activación inalámbrica.

NOTA: Coloque siempre la aspiradora de forma que usted pueda ver el estado de la lámpara de activación inalámbrica.

NOTA: Consulte el manual de instrucciones de la herramienta, también.

Después de registrar una herramienta en la aspiradora, la aspiradora se pondrá en marcha automáticamente junto con la operación del interruptor de la herramienta.

1. Instale las unidades inalámbricas en la aspiradora y la herramienta, respectivamente.

2. Instale las baterías en la aspiradora y la herramienta.

3. Conecte la manguera de la aspiradora a la herramienta.

► **Fig.33**

4. Ajuste el interruptor de espera de la aspiradora a "AUTO".

► **Fig.34:** 1. Interruptor de espera

5. Presione el botón de activación inalámbrica en la herramienta brevemente. La lámpara de activación inalámbrica parpadeará en azul.

► **Fig.35:** 1. Botón de activación inalámbrica
2. Lámpara de activación inalámbrica

6. Encienda la herramienta. Compruebe si el aspirador está en marcha mientras la herramienta está funcionando.

PRECAUCIÓN: Compruebe siempre si la función de activación inalámbrica funciona antes de comenzar un trabajo con la herramienta.

Para detener la activación inalámbrica, presione el botón de activación inalámbrica en la herramienta, o ajuste el interruptor de espera en la aspiradora a "I" o "O".

NOTA: La lámpara de activación inalámbrica en la herramienta dejará de parpadear en azul cuando no se realice ninguna operación durante 2 horas. En este caso, ajuste el interruptor de espera de la aspiradora a "AUTO" y presione el botón de activación inalámbrica en la herramienta otra vez.

NOTA: La aspiradora se pone en marcha/se detiene con una demora. Hay un lapso de tiempo cuando la aspiradora detecta una operación del interruptor de la herramienta.

NOTA: La distancia de transmisión de la unidad inalámbrica puede variar dependiendo de la ubicación y las circunstancias circundantes.

NOTA: Cuando haya registradas dos o más herramientas en un aspirador, el aspirador podrá ponerse en marcha aunque usted no encienda la herramienta porque otro usuario está utilizando la función de activación inalámbrica.

Cancelación del registro de herramienta para la aspiradora

Realice el procedimiento siguiente cuando vaya a cancelar el registro de herramienta para la aspiradora.

1. Instale las unidades inalámbricas en la aspiradora y la herramienta, respectivamente.

2. Instale las baterías en la aspiradora y la herramienta.

3. Ajuste el interruptor de espera de la aspiradora a "AUTO".

► **Fig.36:** 1. Interruptor de espera

4. Presione el botón de activación inalámbrica en la aspiradora durante 6 segundos. La lámpara de activación inalámbrica parpadea en verde y después se vuelve roja. Después de esto, presione el botón de activación inalámbrica en la herramienta de la misma manera.

► **Fig.37:** 1. Botón de activación inalámbrica
2. Lámpara de activación inalámbrica

Si la cancelación se realiza correctamente, las lámparas de activación inalámbrica se iluminarán en rojo durante 2 segundos y comenzarán a parpadear en azul.

NOTA: Las lámparas de activación inalámbrica dejarán de parpadear en rojo después de transcurrir 20 segundos. Presione el botón de activación inalámbrica en la herramienta mientras la lámpara de activación inalámbrica en la aspiradora está parpadeando. Si la lámpara de activación inalámbrica no parpadea en rojo, presione el botón de activación inalámbrica brevemente y manténgalo presionado otra vez.

Borrado de todos los registros de herramienta

Puede borrar todos los registros de herramienta de la aspiradora de la forma siguiente.

► **Fig.38:** 1. Interruptor de espera 2. Botón de activación inalámbrica 3. Lámpara de activación inalámbrica

1. Instale la unidad inalámbrica en la aspiradora.
2. Instale las baterías en la aspiradora.
3. Ajuste el interruptor de espera a "AUTO".
4. Mantenga presionado el botón de activación inalámbrica durante unos 6 segundos hasta que la lámpara de activación inalámbrica parpadee en rojo (unas dos veces por segundo).

5. Cuando la lámpara de activación inalámbrica comience a parpadear en rojo, libere el dedo del botón de activación inalámbrica. Después, mantenga presionado el botón de activación inalámbrica otra vez durante unos 6 segundos.











6. Cuando la lámpara de activación inalámbrica comience a parpadear rápidamente (unas 5 veces por segundo) en rojo, libere el dedo del botón de activación inalámbrica. Cuando la lámpara de activación inalámbrica se ilumine en rojo y después se apague, todos los registros de herramienta estarán borrados.

NOTA: Si la lámpara de activación inalámbrica no parpadea en rojo, presione el botón de activación inalámbrica brevemente e inténtelo otra vez.

Descripción del estado de la lámpara de activación inalámbrica

► **Fig.39:** 1. Botón de activación inalámbrica
2. Lámpara de activación inalámbrica

La lámpara de activación inalámbrica muestra el estado de la función de activación inalámbrica. Consulte la tabla de abajo para ver el significado del estado de la lámpara.

Estado	Lámpara de activación inalámbrica			Descripción
	Color	 Encendida	 Parpadeando	
En espera	Azul		Aspiradora: continuando Herramienta: 2 horas	Esperando por el registro de herramienta o la función de activación inalámbrica está disponible. La lámpara en la aspiradora parpadea cuando el interruptor de espera está ajustado a AUTO. La lámpara en la herramienta parpadea cuando se presiona el botón de activación inalámbrica. La lámpara en la herramienta se apagará automáticamente cuando no se realice ninguna operación durante 2 horas.
			Cuando la herramienta está en marcha.	
Registro de herramienta	Verde		20 segundos	Preparada para el registro de herramienta. Buscando la herramienta que se va a registrar.
			2 segundos	El registro de herramienta ha terminado. La lámpara de activación inalámbrica comenzará a parpadear en azul.
Cancelando/borrando el registro de herramienta	Rojo	 (lento: 2 veces/segundo)	20 segundos	Preparada para la cancelación del registro de herramienta. Buscando la herramienta que se va a cancelar.
		 (rápido: 5 veces/segundo)	Cuando se presiona el botón de activación inalámbrica.	Preparada para borrar todos los registros de herramienta.
			2 segundos	El registro de herramienta ha sido cancelado/borrado. La lámpara de activación inalámbrica comenzará a parpadear en azul.
Otros	Rojo		3 segundos	La alimentación se suministra a la unidad inalámbrica y la función de activación inalámbrica se está poniendo en marcha.
		Apagada	-	-

Solución de problemas para la función de activación inalámbrica

Antes de solicitar reparaciones, realice su propia inspección en primer lugar. Si encuentra un problema que no está explicado en el manual, no intente desmontar la herramienta. En su lugar, pregunte en los centros de servicio autorizados Makita, utilizando siempre piezas de recambio Makita para las reparaciones.

Estado de anomalía	Causa probable (mal funcionamiento)	Remedio
La lámpara de activación inalámbrica no se ilumina/parpadea.	La unidad inalámbrica no está instalada en la aspiradora y/o la herramienta. La unidad inalámbrica está instalada incorrectamente en la aspiradora y/o la herramienta.	Instale la unidad inalámbrica correctamente.
	El terminal de la unidad inalámbrica y/o la ranura están sucios.	Retire con cuidado el polvo y la suciedad del terminal de la unidad inalámbrica y limpie la ranura de la aspiradora y/o la herramienta.
	El botón de activación inalámbrica en la herramienta no ha sido presionado.	Presione el botón de activación inalámbrica en la herramienta brevemente.
	El interruptor de espera de la aspiradora no está ajustado a "AUTO".	Ajuste el interruptor de espera de la aspiradora a "AUTO".
	No se está suministrando alimentación.	Suministre alimentación a la herramienta y a la aspiradora.
No se puede terminar el registro de herramienta / cancelación del registro de herramienta correctamente.	La unidad inalámbrica no está instalada en la aspiradora y/o la herramienta. La unidad inalámbrica está instalada incorrectamente en la aspiradora y/o la herramienta.	Instale la unidad inalámbrica correctamente.
	El terminal de la unidad inalámbrica y/o la ranura están sucios.	Retire con cuidado el polvo y la suciedad del terminal de la unidad inalámbrica y limpie la ranura de la aspiradora y/o la herramienta.
	El interruptor de espera de la aspiradora no está ajustado a "AUTO".	Ajuste el interruptor de espera de la aspiradora a "AUTO".
	No se está suministrando alimentación.	Suministre alimentación a la herramienta y a la aspiradora.
	Operación incorrecta	Presione el botón de activación inalámbrica brevemente y realice los procedimientos de registro/cancelación de herramienta otra vez.
	La herramienta y la aspiradora están alejadas una de la otra (fuera del rango de transmisión).	Ponga la herramienta y la aspiradora más cerca una de la otra. La distancia de transmisión es de aproximadamente 10 m, sin embargo, podrá variar de acuerdo con las circunstancias.
	Antes de terminar el registro/cancelación de herramienta; - se aprieta el interruptor de la herramienta o; - se activa el botón de alimentación del aspirador.	Presione el botón de activación inalámbrica brevemente y realice los procedimientos de registro/cancelación de herramienta otra vez.
	Los procedimientos de registro de herramienta para la herramienta o la aspiradora no han terminado.	Realice los procedimientos de registro de herramienta para la herramienta y la aspiradora en el mismo momento.
Interferencia de radio de otros aparatos que generan ondas de radio de alta intensidad.	Mantenga la herramienta y la aspiradora alejadas de aparatos tales como dispositivos Wi-Fi y hornos de microondas.	

Estado de anomalía	Causa probable (mal funcionamiento)	Remedio
La aspiradora no se pone en marcha junto con la operación del interruptor de la herramienta.	La unidad inalámbrica no está instalada en la aspiradora y/o la herramienta. La unidad inalámbrica está instalada incorrectamente en la aspiradora y/o la herramienta.	Instale la unidad inalámbrica correctamente.
	El terminal de la unidad inalámbrica y/o la ranura están sucios.	Retire con cuidado el polvo y la suciedad del terminal de la unidad inalámbrica y limpie la ranura de la aspiradora y/o la herramienta.
	El botón de activación inalámbrica en la herramienta no ha sido presionado.	Presione el botón de activación inalámbrica brevemente y asegúrese de que la lámpara de activación inalámbrica está parpadeando en azul.
	El interruptor de espera de la aspiradora no está ajustado a "AUTO".	Ajuste el interruptor de espera de la aspiradora a "AUTO".
	Se han registrado más de 10 herramientas en la aspiradora.	Realice el registro de herramienta otra vez. Si se registran más de 10 herramientas en la aspiradora, la herramienta que más tiempo lleve registrada se cancelará automáticamente.
	La aspiradora borró todos los registros de herramienta.	Realice el registro de herramienta otra vez.
	No se está suministrando alimentación.	Suministre alimentación a la herramienta y a la aspiradora.
	La herramienta y la aspiradora están alejadas una de la otra (fuera del rango de transmisión).	Ponga la herramienta y la aspiradora más cerca una de la otra. La distancia de transmisión es de aproximadamente 10 m, sin embargo, podrá variar de acuerdo con las circunstancias.
	Interferencia de radio de otros aparatos que generan ondas de radio de alta intensidad.	Mantenga la herramienta y la aspiradora alejadas de aparatos tales como dispositivos Wi-Fi y hornos de microondas.
El aspirador se pone en marcha mientras la herramienta no está funcionando.	Otros usuarios están utilizando la activación inalámbrica de la aspiradora con sus herramientas.	Desactive el botón de activación inalámbrica de las otras herramientas o cancele el registro de herramienta de las otras herramientas.
No se pueden borrar todos los registros de herramienta en la aspiradora.	Presionando el botón de activación inalámbrica en la herramienta.	Presione el botón de activación inalámbrica en la aspiradora para borrar todos los registros de herramienta.
	El interruptor de espera de la aspiradora no está ajustado a "AUTO".	Ajuste el interruptor de espera de la aspiradora a "AUTO".
	El botón de activación inalámbrica no se está manteniendo apretado correctamente.	Mantenga presionado el botón de activación inalámbrica durante más de 6 segundos y después libérela cuando la lámpara de activación inalámbrica parpadee en rojo. Mantenga presionado el botón de activación inalámbrica durante más de 6 segundos otra vez hasta que el botón de activación inalámbrica parpadee rápidamente en rojo y después libere el botón.

MANTENIMIENTO

⚠️ PRECAUCIÓN: Asegúrese siempre de que el aparato está apagado y los cartuchos de batería han sido retirados antes de intentar hacer una inspección o mantenimiento.

AVISO: No utilice nunca gasolina, bencina, disolvente, alcohol o similares. Podría producir descoloración, deformación o grietas.

Para mantener la SEGURIDAD y FIABILIDAD del producto, las reparaciones, y cualquier otra tarea de mantenimiento o ajuste deberán ser realizadas en centros de servicio o de fábrica autorizados por Makita, empleando siempre repuestos Makita.

Almacenamiento de los accesorios

Los accesorios y aditamentos que no se están usando, como boquillas y cepillos, se pueden enganchar y guardar en el gancho múltiple de la parte trasera de la aspiradora.

► **Fig.40:** 1. Gancho múltiple 2. Accesorios y aditamentos que no se están usando

Los tubos (con un retenedor opcional instalado) se pueden colocar en el portatubos cuando se deja de usar la aspiradora por poco tiempo.

► **Fig.41:** 1. Retenedor (accesorio opcional)
2. Portatubos

Una manguera se puede enrollar y guardar alrededor de la carcasa o de la empuñadura de la aspiradora en bucles amplios. Conecte sus dos extremos entre sí para hacer bucles y enganche los bucles en la empuñadura levantada. Alternativamente, mantenga su extremo raíz instalado en la boca para manguera y cuelgue los bucles en el gancho múltiple con el extremo suelto atado.

► **Fig.42**

► **Fig.43**

Limpieza del filtro de polvo (HEPA) y el prefiltro

Limpie bien el filtro de polvo, el prefiltro y el amortiguador a intervalos regulares porque los filtros y el amortiguador obstruidos pueden resultar en un rendimiento de succión deficiente.

Elimine y sacuda el polvo de los filtros y del amortiguador manualmente de forma rutinaria.

► **Fig.44:** 1. Prefiltro

► **Fig.45:** 1. Amortiguador 2. Filtro de polvo (HEPA)

Lave ocasionalmente el filtro de polvo en agua, aclárelo y séquelo completamente en la sombra antes de utilizarlo. No lave nunca los filtros en una lavadora.

► **Fig.46**

NOTA: No frote o rasque el filtro de polvo, el prefiltro o el amortiguador con objetos duros tales como un cepillo y una paleta.

NOTA: Los filtros se gastan con el paso del tiempo. Se recomienda tener algunos repuestos para ellos.

ACCESORIOS OPCIONALES

⚠️ PRECAUCIÓN: Estos accesorios o aditamentos están recomendados para su uso con la herramienta Makita especificada en este manual. El uso de cualquier otro accesorio o aditamento puede suponer un riesgo de heridas personales. Utilice el accesorio o aditamento solamente con la finalidad indicada para el mismo.

Si necesita cualquier ayuda para más detalles en relación con estos accesorios, pregunte al centro de servicio Makita local.

- Manguera
- Manguitos delanteros (22, 24, 38)
- Tubo recto
- Tubo de extensión
- Boquilla para esquinas
- Cepillo redondo
- Filtro de polvo, HEPA (para polvo seco)
- Amortiguador
- Prefiltro
- Conjunto de boquilla
- Tubo curvado
- Bolsa de polietileno
- Paquete de papel
- Adaptador MAKPAC
- Unidad inalámbrica
- Batería y cargador genuinos de Makita

NOTA: Algunos elementos de la lista podrán estar incluidos en el paquete de la herramienta como accesorios estándar. Pueden variar de un país a otro.

AVISO

- Esta máquina não deve ser utilizada por pessoas com capacidades físicas, sensoriais ou mentais reduzidas nem por crianças ou pessoas com falta de experiência ou conhecimentos.
- As crianças devem ser supervisionadas, de modo a assegurar que não brincam com o aspirador.
- Consulte o capítulo "ESPECIFICAÇÕES" para ficar a saber a referência de tipo da bateria.
- Consulte a secção "Instalar ou remover a bateria" para saber como remover ou instalar a bateria.
- Quando eliminar a bateria, remova-a da ferramenta e elimine-a num local seguro. Siga os regulamentos locais relacionados com a eliminação de baterias.
- Se a ferramenta não for utilizada durante um período de tempo prolongado, a bateria deve ser removida da ferramenta.
- Não coloque a bateria em curto-circuito.
- Consulte o capítulo "MANUTENÇÃO" para obter as informações adequadas sobre as precauções a ter durante a manutenção pelo utilizador.

ESPECIFICAÇÕES

Modelo:	VC002GL	VC004GL
Tipo de filtro padrão	Filtro de pó (para pó seco)	
Volume máximo de ar (com BL4040, uma mangueira de ø38 mm x 2,5 m)	2,7 m³/min	
Vácuo (com BL4040, uma mangueira de ø38 mm x 2,5 m)	23 kPa	
Capacidade de recuperação	8 L	15 L
Dimensões (C x L x A)	366 mm x 334 mm x 425 mm	366 mm x 334 mm x 475 mm
Tensão nominal	C.C. 36 V - 40 V máx.	
Peso líquido	8,3 - 11,4 kg	8,6 - 11,7 kg
Grau de proteção	IPX4	

- Devido a um programa contínuo de pesquisa e desenvolvimento, estas especificações estão sujeitas a alteração sem aviso prévio.
- As especificações e a bateria podem variar de país para país.
- O peso não inclui os acessórios mas a(s) bateria(s). Os pesos combinados mais leve e mais pesado do aparelho e da(s) bateria(s) são indicados na tabela.
- Para pó húmido são necessários o flutuador e o filtro de água ou o filtro de pano.

Bateria e carregador aplicável

Bateria	BL4020 / BL4025 / BL4040* / BL4050F* / BL4080F* *: Bateria recomendada
Carregador	DC40RA / DC40RB / DC40RC

- Algumas das baterias e carregadores listados acima poderão não estar disponíveis, dependendo da sua região de residência.

⚠ AVISO: Utilize apenas as baterias e carregadores listados acima. A utilização de quaisquer outras baterias e carregadores pode causar ferimentos e/ou um incêndio.

Símbolos

A seguir são apresentados os símbolos que podem ser utilizados para o equipamento. Certifique-se de que compreende o seu significado antes da utilização.



Leia o manual de instruções.



Tenha especial cuidado e atenção.



Aviso! O aspirador poderá conter pó perigoso.



Nunca se coloque sobre o aspirador.



Pó de classe L (leve). Os aspiradores são capazes de recolher pó de classe L. Siga os regulamentos do seu país relativos a pós e a higiene e segurança no trabalho.



Apenas para países da UE
Devido à presença de componentes perigosos no equipamento, os resíduos de equipamentos elétricos e eletrônicos, acumuladores e baterias podem ter um impacto negativo no meio ambiente e na saúde humana.
Não elimine aparelhos elétricos e eletrônicos ou baterias juntamente com resíduos domésticos!
De acordo com a Diretiva europeia relativa aos resíduos de equipamentos elétricos e eletrônicos, acumuladores e baterias, bem como a respetiva adaptação à legislação nacional, os resíduos de equipamentos elétricos e eletrônicos, acumuladores e baterias devem ser armazenados separadamente e entregues num ponto de recolha separado para resíduos municipais, que opere de acordo com os regulamentos de proteção ambiental.
Tal é indicado pelo símbolo de conteúdo de lixo com rodas barrado com uma cruz colocado no equipamento.

Utilização a que se destina

O aparelho serve para recolher pó seco. O aparelho é adequado para utilização comercial, por exemplo, em hotéis, escolas, hospitais, fábricas, lojas, escritórios e empresas de aluguer.

Ruído

A característica do nível de ruído A determinado de acordo com a EN60335-2-69:

Modelo VC002GL

Nível de pressão acústica (L_{pA}): 70 dB (A) ou menos
Variabilidade (K): 2,5 dB (A)

Modelo VC004GL

Nível de pressão acústica (L_{pA}): 70 dB (A) ou menos
Variabilidade (K): 2,5 dB (A)

O nível de ruído durante o funcionamento pode exceder 80 dB (A).

NOTA: O(s) valor(es) da emissão de ruído indicado(s) foi medido de acordo com um método de teste padrão e pode ser utilizado para comparar duas ferramentas.

NOTA: O(s) valor(es) da emissão de ruído indicado(s) pode também ser utilizado na avaliação preliminar da exposição.

AVISO: Utilize protetores auriculares.

AVISO: A emissão de ruído durante a utilização real da ferramenta elétrica pode diferir do(s) valor(es) indicado(s), dependendo das formas como a ferramenta é utilizada, especialmente o tipo de peça de trabalho que é processada.

AVISO: Certifique-se de identificar as medidas de segurança para proteção do operador que sejam baseadas em uma estimativa de exposição em condições reais de utilização (considerando todas as partes do ciclo de operação, tal como quando a ferramenta está desligada e quando está a funcionar em marcha lenta além do tempo de acionamento).

Vibração

Valor total da vibração (soma vetorial tri-axial) determinado de acordo com a EN60335-2-69:

Modelo VC002GL

Emissão de vibração (a_{hM}): 2,5 m/s² ou menos
Variabilidade (K): 1,5 m/s²

Modelo VC004GL

Emissão de vibração (a_{hM}): 2,5 m/s² ou menos
Variabilidade (K): 1,5 m/s²

NOTA: O(s) valor(es) total(ais) de vibração indicado(s) foi medido de acordo com um método de teste padrão e pode ser utilizado para comparar duas ferramentas.

NOTA: O(s) valor(es) total(ais) de vibração indicado(s) pode também ser utilizado na avaliação preliminar da exposição.

AVISO: A emissão de vibração durante a utilização real da ferramenta elétrica pode diferir do(s) valor(es) indicado(s), dependendo das formas como a ferramenta é utilizada, especialmente o tipo de peça de trabalho que é processada.

AVISO: Certifique-se de identificar as medidas de segurança para proteção do operador que sejam baseadas em uma estimativa de exposição em condições reais de utilização (considerando todas as partes do ciclo de operação, tal como quando a ferramenta está desligada e quando está a funcionar em marcha lenta além do tempo de acionamento).

Declaração de conformidade da CE

Apenas para os países europeus

A declaração de conformidade da CE está incluída como Anexo A neste manual de instruções.

AVISOS DE SEGURANÇA

Avisos de segurança do aspirador a bateria

AVISO: IMPORTANTE! LEIA COM ATENÇÃO todos os avisos de segurança e todas as instruções ANTES DA UTILIZAÇÃO. Caso não siga os avisos e instruções, pode apanhar um choque elétrico, provocar um incêndio e/ou ferimentos graves.

1. Antes de utilizar, certifique-se de que este aspirador é utilizado por pessoas que tenham recebido instruções adequadas sobre a utilização deste aspirador.
2. Antes da utilização, devem ser fornecidas informações, instruções e formação aos operadores relativamente ao uso da máquina e às substâncias para as quais deve ser utilizada, incluindo o método seguro de remoção e eliminação do material recolhido.

3. **Certifique-se sempre de que os filtros estão corretamente instalados antes da utilização.** Não utilize o aspirador sem os filtros devidamente instalados. Substitua imediatamente um filtro danificado. Recomenda-se que tenha algumas peças sobressalentes uma vez que os filtros são itens consumíveis.
4. **EVITAR O ARRANQUE INVOLUNTÁRIO.** Assegure que o interruptor está desligado (OFF) quando instalar a(s) bateria(s).
5. Não tente aspirar materiais inflamáveis, fogo de artifício, cigarros acesos, cinzas quentes, aparas metálicas quentes, materiais aguçados como lâminas, agulhas, vidro partido ou outros do género.
6. **NUNCA UTILIZE O ASPIRADOR JUNTO DE GASOLINA, GÁS, TINTA, COLAS OU OUTRAS SUBSTÂNCIAS ALTAMENTE EXPLOSIVAS.** O interruptor emite faíscas quando se liga e desliga. O mesmo acontece com o comutador do motor durante o funcionamento. Pode resultar em explosão perigosa.
7. Nunca aspire produtos tóxicos, carcinogénicos, combustíveis ou outros materiais perigosos como amianto, arsénico, bário, berílio, chumbo, pesticidas ou outros materiais que ponham a saúde em perigo.
8. Coloque sempre o aspirador numa superfície plana horizontal para evitar a respetiva queda ou o respetivo movimento accidental.
9. Nunca utilize o aspirador no exterior, à chuva.
10. No caso da Finlândia, esta máquina não deve ser utilizada ao ar livre a baixa temperatura.
11. Não utilize junto de fontes de calor (fornos, etc.).
12. Se o ar de exaustão for retornado à divisão, é necessário providenciar uma taxa de mudança de ar adequada na divisão. É necessário consultar os regulamentos nacionais.
13. Não bloqueie o bocal de sucção/a saída/os ventiladores de arrefecimento. Estes ventiladores permitem arrefecer o motor. Os entupimentos devem ser cuidadosamente evitados, caso contrário, o motor queima por falta de ventilação.
14. Mantenha sempre o equilíbrio e os pés bem assentes no chão.
15. Não dobre, arraste nem pise a mangueira.
16. Desligue imediatamente o aspirador se notar qualquer falta de desempenho ou algo fora do normal durante o funcionamento.
17. **REMOVER A(S) BATERIA(S).** Quando não estiver a utilizar o aparelho, antes da assistência técnica e quando mudar de acessórios.
18. Limpe e faça a assistência ao aspirador imediatamente após cada utilização para o manter nas condições de funcionamento normal.
19. **CONSERVE O ASPIRADOR COM CUIDADO.** Mantenha o aspirador limpo para obter um desempenho melhor e mais seguro. Siga as instruções para mudar os acessórios. Mantenha as pegas secas, limpas e sem óleo e gordura.
20. **VERIFIQUE AS PEÇAS DANIFICADAS.** Antes de continuar a utilizar o aspirador deve verificar cuidadosamente se qualquer resguardar ou outra peça está danificado para determinar se o aspirador funcionará adequadamente e realizará a função pretendida. Verifique o alinhamento das peças móveis, a união das peças móveis, a quebra de peças, a montagem e quaisquer outras condições que possam afetar o seu funcionamento. Um resguardar ou outra peça danificado deve ser adequadamente reparado ou substituído por um centro de assistência autorizado, a menos que indicado o contrário em qualquer outro lugar neste manual. Peça a substituição de interruptores defeituosos junto de um centro de assistência autorizado. Não utilize o aspirador se o interruptor não o ligar ou desligar.
21. No caso de manutenção por parte do utilizador, a máquina deve ser desmontada, limpa e reparada, tanto quanto for razoavelmente possível, sem pôr em risco o pessoal de manutenção e outras pessoas.
22. A máquina deve ser inspecionada tecnicamente pelo fabricante ou por uma pessoa instruída, pelo menos anualmente, incluindo, por exemplo, a inspeção de filtros quanto a danos, estanquicidade da máquina e funcionamento adequado do mecanismo de controlo.
23. Quando realizar operações de manutenção ou reparação, todos os itens contaminados que não possam ser limpos satisfatoriamente devem ser eliminados; tais itens devem ser eliminados em sacos impermeáveis, de acordo com quaisquer regulamentos atuais para a eliminação de tais resíduos.
24. **PEÇAS DE SUBSTITUIÇÃO.** Durante a assistência, utilize apenas peças de substituição idênticas.
25. **GUARDE O ASPIRADOR PARADO.** Quando não estiver a utilizar o aspirador, deve guardá-lo no interior.
26. Tenha cuidado com o aspirador. Um manuseamento severo pode provocar quebras até mesmo ao aspirador mais robusto.
27. Não tente limpar o exterior ou o interior com benzina, diluente ou produtos químicos de limpeza. Pode provocar rachas ou descoloração.
28. Não utilize o aspirador num espaço fechado onde existam vapores inflamáveis, explosivos ou tóxicos devido a tintas à base de óleo, diluente de tinta, gasolina, algumas substâncias repelentes de traças, etc. ou em áreas onde estejam presentes poeiras inflamáveis.
29. Não opere esta ou qualquer ferramenta sob a influência de drogas ou álcool.
30. Utilize óculos de segurança ou de proteção com proteções laterais como medida básica de segurança.
31. Utilize uma máscara contra pó em condições de trabalho poeirentas.
32. Esta máquina não deve ser utilizada por pessoas com capacidades físicas, sensoriais ou mentais reduzidas nem por crianças ou pessoas com falta de experiência ou conhecimentos.

33. As crianças devem ser supervisionadas, de modo a assegurar que não brincam com o aspirador.
34. Nunca manuseie a(s) bateria(s) e o aspirador com as mãos molhadas.
35. Tenha extremo cuidado quando limpar escadas.
36. Não utilize o aspirador como banco ou bancada de trabalho. A máquina pode cair e resultar em ferimentos pessoais.
37. Não recolha espuma ou líquido com detergente. Tal pode causar a saída de espuma da saída de ar dando origem a um choque elétrico e danos no aspirador.

Utilização e cuidados com a ferramenta a bateria

1. **Recarregue apenas com o carregador especificado pelo fabricante.** Um carregador adequado para um tipo de bateria pode criar um risco de incêndio quando utilizado com outra bateria.
2. **Utilize as ferramentas elétricas apenas com as baterias especificamente designadas.** A utilização de uma bateria diferente pode criar um risco de ferimentos e de incêndio.
3. **Quando a bateria não está a ser utilizada, mantenha-a afastada de outros objetos metálicos, como cliques, moedas, chaves, pregos, parafusos ou outros objetos metálicos pequenos que possam fazer a ligação entre os dois terminais.** Colocar os terminais da bateria em curto-circuito um com o outro pode provocar queimaduras ou um incêndio.
4. **Em condições abusivas, o líquido pode ser ejetado da bateria; evite o contacto com o mesmo. Se ocorrer um contacto acidental, lave com água. Se o líquido entrar em contacto com os olhos, procure também assistência médica.** O líquido ejetado da bateria pode provocar irritações ou queimaduras.
5. **Não utilize um conjunto de baterias ou uma ferramenta que se encontrem danificadas ou modificados.** As baterias danificadas ou modificadas poderão exibir um comportamento imprevisível, resultando em incêndio, explosão ou risco de lesão.
6. **Não exponha um conjunto de baterias ou uma ferramenta a incêndio ou temperatura excessiva.** A exposição a incêndio ou a uma temperatura superior a 130 °C poderá causar uma explosão.
7. **Siga todas as instruções de carregamento e não carregue o conjunto de baterias ou ferramenta fora da amplitude de temperaturas especificada nas instruções.** O carregamento impróprio ou a temperaturas fora da amplitude especificada poderá danificar a bateria e aumentar o risco de incêndio.

GUARDE ESTAS INSTRUÇÕES.

⚠️ AVISO: NÃO permita que conforto ou familiaridade com o produto (adquirido com o uso repetido) substitua a aderência estrita às regras de segurança da ferramenta. MÁ INTERPRETAÇÃO ou não seguimento das regras de segurança estabelecidas neste manual de instruções pode causar danos pessoais sérios.

Instruções de segurança importantes para a bateria

1. **Antes de utilizar a bateria, leia todas as instruções e etiquetas de precaução no (1) carregador de bateria (2) bateria e (3) produto que utiliza a bateria.**
2. **Não desmonte ou manipule a bateria.** Pode resultar num incêndio, em calor excessivo ou numa explosão.
3. **Se o tempo de funcionamento se tornar excessivamente curto, pare o funcionamento imediatamente. Pode resultar em sobreaquecimento, possíveis queimaduras e mesmo explosão.**
4. **Se entrar eletrólito nos seus olhos, lave-os com água e consulte imediatamente um médico. Pode resultar em perda de visão.**
5. **Não coloque a bateria em curto-circuito:**
 - (1) **Não toque nos terminais com qualquer material condutor.**
 - (2) **Evite guardar a bateria juntamente com outros objetos metálicos tais como pregos, moedas, etc.**
 - (3) **Não exponha a bateria à água ou chuva. Um curto-circuito pode ocasionar um enorme fluxo de corrente, sobreaquecimento, possíveis queimaduras e mesmo estragar-se.**
6. **Não guarde nem utilize a ferramenta e a bateria em locais onde a temperatura pode atingir ou exceder 50 °C.**
7. **Não queime a bateria mesmo que esteja estragada ou completamente gasta. A bateria pode explodir no fogo.**
8. **Não pregue, corte, esmague, atire, deixe cair a bateria, nem bata a bateria contra um objeto rijo.** Esta conduta pode resultar num incêndio, em calor excessivo ou numa explosão.
9. **Não utilize uma bateria danificada.**
10. **As baterias de íões de lítio contidas na ferramenta são sujeitas aos requisitos da DGL (Dangerous Goods Legislation - Legislação de bens perigosos).**

Para o transporte comercial, por exemplo, por terceiros ou agentes de expedição, têm de ser observados os requisitos referentes à embalagem e etiquetagem.

Para preparação do artigo a ser expedido, é necessário consultar um perito em materiais perigosos. Tenha ainda em conta a possibilidade de existirem regulamentos nacionais mais detalhados.

Coloque fita-cola ou tape os contactos abertos e embale a bateria de tal forma que não possa mover-se dentro da embalagem.
11. **Quando eliminar a bateria, remova-a da ferramenta e elimine-a num local seguro. Siga os regulamentos locais relacionados com a eliminação de baterias.**
12. **Utilize as baterias apenas com os produtos especificados pela Makita.** Instalar as baterias em produtos não-conformes poderá resultar num incêndio, calor excessivo, explosão ou fuga de eletrólito.

13. Se a ferramenta não for utilizada durante um período de tempo prolongado, a bateria deve ser removida da ferramenta.
14. Durante e após a utilização, a bateria pode aquecer, o que pode provocar queimaduras ou queimaduras a baixa temperatura. Preste atenção ao manuseamento de baterias quentes.
15. Não toque no terminal da ferramenta imediatamente após a utilização, pois pode ficar suficientemente quente para provocar queimaduras.
16. Não permita a adesão de aparas, pó ou sujidade nos terminais, nos orifícios e nas ranhuras da bateria. Poderá fazer com que a ferramenta ou a bateria aqueça, incendeie, rebente e avarie, resultando em queimaduras ou ferimentos corporais.
17. A menos que a ferramenta suporte a utilização perto de linhas elétricas de alta tensão, não utilize a bateria perto de linhas elétricas de alta tensão. Pode resultar no mau funcionamento ou na avaria da ferramenta ou bateria.
18. Mantenha a bateria afastada das crianças.

GUARDE ESTAS INSTRUÇÕES.

⚠️ PRECAUÇÃO: Utilize apenas baterias genuínas da Makita. A utilização de baterias não genuínas da Makita ou de baterias que foram alteradas, pode resultar no rebentamento da bateria provocando incêndios, ferimentos pessoais e danos. Além disso, anulará a garantia da Makita no que se refere à ferramenta e ao carregador Makita.

Conselhos para manter a máxima vida útil da bateria

1. Carregue a bateria antes que esteja completamente descarregada. Pare sempre o funcionamento da ferramenta e carregue a bateria quando notar menos poder na ferramenta.
 2. Nunca carregue uma bateria completamente carregada. Carregamento excessivo diminui a vida útil da bateria.
 3. Carregue a bateria à temperatura ambiente de 10 °C – 40 °C. Deixe que uma bateria quente arrefeça antes de a carregar.
 4. Quando não utilizar a bateria, remova-a da ferramenta ou do carregador.
 5. Carregue a bateria se não a utilizar durante um longo período de tempo (mais de seis meses).
5. Não utilize a unidade sem fios em locais onde a temperatura excede 50 °C.
 6. Não utilize a unidade sem fios em locais próximos de instrumentos médicos, tais como estimuladores cardíacos.
 7. Não utilize a unidade sem fios em locais próximos de dispositivos automatizados. Se utilizada, os dispositivos automatizados podem desenvolver anomalias ou erros.
 8. Não utilize a unidade sem fios em locais sob temperaturas altas ou locais nos quais possa ser gerada eletricidade estática ou ruído elétrico.
 9. A unidade sem fios pode produzir campos eletromagnéticos (CEM) mas estes não são nocivos para o utilizador.
 10. A unidade sem fios é um instrumento preciso. Tenha cuidado para não deixar cair a unidade sem fios nem bater nesta.
 11. Evite tocar no terminal da unidade sem fios com as mãos desprotegidas ou com materiais metálicos.
 12. Retire sempre a bateria do produto quando instalar a unidade sem fios.
 13. Quando abrir a tampa da ranhura, evite o local no qual a poeira e a água podem entrar para a ranhura. Mantenha sempre a entrada da ranhura limpa.
 14. Insira sempre a unidade sem fios na direção correta.
 15. Não pressione o botão de ativação sem fios na unidade sem fios com demasiada força e/ou pressione o botão com um objeto com aresta afiada.
 16. Feche sempre a tampa da ranhura quando utilizar a ferramenta.
 17. Não remova a unidade sem fios da ranhura enquanto estiver a ser fornecida alimentação elétrica à ferramenta. Fazê-lo pode causar a anomalia da unidade sem fios.
 18. Não remova o adesivo da unidade sem fios.
 19. Não coloque qualquer adesivo na unidade sem fios.
 20. Não deixe a unidade sem fios num local em que possa ser gerada eletricidade estática ou ruído elétrico.
 21. Não deixe a unidade sem fios num local sujeito a calor intenso, tal como um veículo exposto ao sol.
 22. Não deixe a unidade sem fios num local poeirento ou pulverulento ou num local onde possa ser gerado gás corrosivo.
 23. A mudança súbita da temperatura pode molhar a unidade sem fios com condensação. Não utilize a unidade sem fios até que a condensação esteja completamente seca.
 24. Quando limpar a unidade sem fios, limpe-a suavemente com um pano macio e seco. Não utilize benzina, diluente, massa lubrificante condutora ou similar.
 25. Quando armazenar a unidade sem fios, guarde-a na caixa fornecida ou num recipiente anti-estática.

Instruções de segurança importantes para a unidade sem fios

1. Não desmonte ou manipule a unidade sem fios.
2. Mantenha a unidade sem fios afastada das crianças. Se ocorrer a ingestão acidental, procure imediatamente cuidados médicos.
3. Utilize a unidade sem fios apenas com ferramentas Makita.
4. Não exponha a unidade sem fios à chuva ou a condições húmidas.

26. **Não insira quaisquer dispositivos diferentes da unidade sem fios Makita na ranhura na ferramenta.**
27. **Não utilize a ferramenta com a tampa da ranhura danificada.** A entrada de água, poeira e sujidade na ranhura pode causar o mau funcionamento.
28. **Não puxe e/ou torça a tampa da ranhura além do necessário.** Recoloque a tampa se esta sair da ferramenta.
29. **Substitua a tampa da ranhura se a perder ou danificar.**

GUARDE ESTAS INSTRUÇÕES.

DESCRIÇÃO DAS PEÇAS

- **Fig.1:** 1. Unidade superior 2. Filtro de pó (HEPA) 3. Amortecedor 4. Pré-filtro 5. Reservatório

DESCRIÇÃO FUNCIONAL

⚠PRECAUÇÃO: Certifique-se sempre de que o aparelho está desligado e que as baterias foram removidas antes de ajustar ou verificar qualquer função no aparelho.

Instalação ou remoção da bateria

⚠PRECAUÇÃO: Desligue sempre o aparelho antes de instalar ou remover baterias.

⚠PRECAUÇÃO: Segure firmemente o aspirador e as baterias quando instalar ou remover baterias. O não cumprimento desta instrução pode fazer com que escorreguem das suas mãos, resultando em danos no aspirador e nas baterias ou ferimentos pessoais.

⚠PRECAUÇÃO: Tenha cuidado para não prende os dedos quando abrir ou fechar a tampa da bateria. Se não o fizer poderá causar lesões físicas.

O aspirador tem ranhuras de bateria duplas. Com duas baterias idênticas em paralelo, pode ampliar o tempo de funcionamento em uma ou mais utilizações sem ter de parar para recarregar as baterias. O aspirador também funciona com uma única bateria, por isso, pode optar por baterias duplas ou bateria única de acordo com as suas necessidades.

- **Fig.2:** 1. Ranhura da bateria esquerda 2. Ranhura da bateria direita

Com baterias duplas

O funcionamento contínuo com duas baterias permite um maior tempo de funcionamento e uma limpeza mais eficiente. Quando a primeira bateria estiver a ficar descarregada, o aspirador muda automaticamente de fonte de alimentação para que continue a trabalhar com a segunda bateria.

NOTA: A ranhura da bateria esquerda (quando está voltada para a parte dianteira do aspirador) tem prioridade sobre a ranhura da bateria direita. A ranhura da bateria direita será apenas identificada como uma fonte de alimentação quando não estiver instalada qualquer bateria na ranhura da bateria esquerda ou a bateria na ranhura da bateria esquerda ficar descarregada.

NOTA: Pode remover a bateria da ranhura da bateria esquerda e recarregá-la após o aspirador ter mudado a respetiva fonte de alimentação da ranhura da bateria esquerda para a direita sem interromper a operação. Para voltar a dar prioridade à ranhura da bateria esquerda após a instalação de uma bateria recarregada, reinicie o aspirador.

Com uma única bateria

É apenas necessária uma bateria como fonte de alimentação na ranhura da bateria esquerda ou direita. O aspirador determina automaticamente que ranhura da bateria está disponível de acordo com as condições operacionais.

Instalação e desinstalação

Para instalar as baterias, solte primeiramente o bloqueio e abra a tampa das baterias. Em seguida, insira as baterias.

- **Fig.3:** 1. Bloqueio 2. Tampa da bateria

Alinhe as linguetas nas baterias com as ranhuras no compartimento das baterias e deslize-as para a posição correta. Insira-as completamente até bloquearem na posição correta com um pequeno clique. Em seguida, feche a tampa das baterias.

- **Fig.4:** 1. Bateria 2. Botão

Para remover as baterias, deslize-as para fora do compartimento das baterias enquanto pressiona sem soltar os botões em frente das baterias.

⚠PRECAUÇÃO: Instale sempre a bateria até ao fim. Caso contrário, pode cair do aparelho acidentalmente e provocar ferimentos em si ou em alguém próximo.

⚠PRECAUÇÃO: Não instale a bateria à força. Se a bateria não deslizar facilmente é porque não foi colocada corretamente.

NOTA: Quando o aspirador muda de fonte de alimentação da primeira bateria para a segunda, pode ser necessária uma paragem temporária das operações, provocando uma ligeira perda de sucção. Tenha em conta que não se trata de uma avaria pelo que o aspirador recupera e retoma as operações imediatamente após a pausa.

Indicação da capacidade restante da bateria

Prima o botão de verificação na bateria para indicar a capacidade restante da bateria. As luzes indicadoras acendem durante alguns segundos.

- **Fig.5:** 1. Luzes indicadoras 2. Botão de verificação

Luzes indicadoras			Capacidade restante
Aceso	Apagado	A piscar	
■	□	◐	75% a 100%
■	■	■	
■	■	□	50% a 75%
■	□	□	25% a 50%
■	□	□	0% a 25%
◐	□	□	Carregar a bateria.
■	■	□	A bateria pode estar avariada.
□	□	■	

NOTA: Dependendo das condições de utilização e da temperatura ambiente, a indicação pode ser ligeiramente diferente da capacidade real.

NOTA: A primeira luz indicadora (extremo esquerdo) pisca quando o sistema de proteção da bateria funciona.

Indicadores de bateria no painel de controlo

É possível ler a restante capacidade da bateria no painel de controlo em qualquer momento. Pressione o botão de verificação e os indicadores esquerdo e direito irão apresentar os níveis de carga de bateria de forma correspondente.

► **Fig.6:** 1. Indicadores de bateria 2. Botão de verificação

► **Fig.7**

Estado dos indicadores da bateria			Capacidade restante da bateria
Aceso	Apagado	A piscar	
■	□	◐	50% a 100%
■	■	■	20% a 50%
■	□	□	0% a 20%
◐	□	□	Carregar a bateria
□	□	□	Bateria não inserida

NOTA: Os indicadores de bateria serão também ativados quando o aspirador começar a funcionar ou mudar a respetiva fonte de alimentação de uma para a outra.

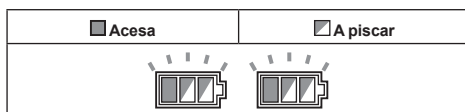
Sistema de proteção do aparelho/da bateria

O aparelho está equipado com um sistema de proteção do aparelho/da bateria. Este sistema desliga automaticamente a alimentação do motor para prolongar a vida útil do aparelho e da bateria. O aparelho para automaticamente durante o funcionamento se o aparelho ou a bateria se encontrar numa das seguintes condições:

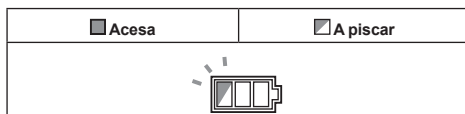
Proteção contra sobrecarga

Quando o aparelho/a bateria é utilizado/a de uma forma que causa a absorção de uma corrente anormalmente alta, o aparelho para automaticamente. Nesta situação, desligue o aparelho e pare a aplicação que causou a sobrecarga do aparelho. Em seguida, ligue o aparelho para reiniciar.

Proteção contra sobreaquecimento



Quando o aparelho estiver sobreaquecido, o aparelho para automaticamente e os indicadores de bateria esquerdo e direito piscam. Nesta situação, deixe o aparelho arrefecer antes de o ligar novamente.



Quando a bateria estiver sobreaquecida, o aparelho para automaticamente e um dos indicadores de bateria sobreaquecida pisca. Nesta situação, deixe a bateria arrefecer antes de ligar novamente o aparelho.

Proteção contra descarga excessiva

Quando a capacidade da bateria ficar fraca, o aparelho para automaticamente. Se o aparelho não funcionar com a operação de comutação, remova as baterias do aparelho e recarregue-as.

Proteções contra outras causas

O sistema de proteção foi também concebido para outras causas que possam danificar o aparelho e permite ao aparelho parar automaticamente. Tome todas as medidas que se seguem para eliminar as causas quando o aparelho tiver parado ou interrompido temporariamente a operação.

1. Desligue o aparelho e, em seguida, volte a ligá-lo para reiniciar.
2. Carregue a(s) bateria(s) ou substitua-a(s) por bateria(s) recarregada(s).
3. Deixe o aparelho e a(s) bateria(s) arrefecerem.

Se não for possível constatar qualquer melhoria através do restauro do sistema de proteção, contacte o centro de assistência Makita local.

Ação do interruptor

Ligar o aspirador

1. Rode o interruptor do modo de espera para a posição "I" (Ligado) ou "AUTO" (Ligado) para que o aspirador esteja disponível no modo de espera.
2. Pressione o botão de ligar.
Para retornar ao modo de espera, pressione novamente o botão de ligar.

Desligar o aspirador

Efetue um dos seguintes passos.

- Pressione o botão de ligar para voltar a colocar o aspirador no modo de espera e, em seguida, rode o interruptor do modo de espera para a posição "O" (Desligado).
- Rode o interruptor do modo de espera para a posição "O" (Desligado).

Ajustar a potência de sucção

A potência de sucção pode ser ajustada de acordo com a necessidade do seu trabalho.

- Rode o botão de ajuste da força de sucção para a esquerda para reduzir a potência de sucção.
- Rode o botão de ajuste da força de sucção para a direita para aumentar a potência de sucção.

► **Fig.8:** 1. Interruptor do modo de espera 2. Botão de ligar 3. Botão de ajuste da força de sucção

Bloquear e desbloquear os rodízios

Os rodízios traseiros podem ser bloqueados com batentes para favorecer a imobilização do aspirador. Baixe a alavanca do batente manualmente para bloquear o rodízio e levante-a para soltar.

► **Fig.9:** 1. Rodízio 2. Alavanca do batente 3. Posição DESBLOQUEADA 4. Posição BLOQUEADA

NOTA: Quando mover o aspirador, certifique-se de que o rodízio está desbloqueado. Mover o aspirador com o rodízio numa posição bloqueada pode causar danos no rodízio.

Alça de transporte

PRECAUÇÃO: Levante e transporte o aparelho com o devido cuidado. O não cumprimento desta instrução pode provocar ferimentos pessoais ou danos no aparelho.

Quando transportar o aspirador, transporte-o segurando a pega situada na unidade superior. A pega é retrátil na unidade superior quando não está a ser utilizada.

► **Fig.10**

MONTAGEM

PRECAUÇÃO: Certifique-se sempre de que o aparelho está desligado e que as baterias foram removidas antes de efetuar qualquer trabalho no aparelho.

PRECAUÇÃO: Use sempre máscara anti-pó durante a montagem ou manutenção.

Instalar o filtro de pó (HEPA) e o pré-filtro (para pó seco)

PRECAUÇÃO: Nunca recolha água ou outros líquidos ou pós húmidos quando utilizar o filtro de pó. Recolher essas coisas poderá causar a avaria do filtro de pó.

Para utilizar o filtro de pó:

1. Coloque o pré-filtro no reservatório alinhando as marcações da posição de montagem no pré-filtro e no reservatório.
2. Coloque o amortecedor no pré-filtro e, em seguida, coloque o filtro de pó sobre o amortecedor alinhando as marcações da posição de montagem no filtro de pó e no pré-filtro.
3. Monte a unidade superior sobre o reservatório e fixe-os com os trincos de bloqueio.

► **Fig.11:** 1. Unidade superior 2. Filtro de pó (HEPA) 3. Amortecedor 4. Pré-filtro 5. Reservatório 6. Marcação da posição de montagem

OBSERVAÇÃO: Antes de utilizar o filtro de pó, certifique-se de que o pré-filtro e o amortecedor são sempre utilizados em conjunto. Não é permitido instalar unicamente o filtro de pó.

Instalar o saco de papel

Acessório opcional

AVISO: Antes de utilizar um saco de papel, certifique-se de que o pré-filtro é utilizado em conjunto. Se não utilizar o pré-filtro em conjunto, pode causar ruído incomum e calor resultando num incêndio.

OBSERVAÇÃO: Nunca recolha água ou outros líquidos ou pós húmidos quando utilizar um saco de papel. Recolher essas coisas pode causar o rompimento do saco de papel.

OBSERVAÇÃO: Antes de utilizar um saco de papel, certifique-se de que o filtro de pó, o amortecedor e o pré-filtro são sempre utilizados em conjunto.

1. Desdobre um saco de papel.
 2. Alinhe a abertura do saco de papel com a entrada de pó do reservatório.
 3. Instale o saco de papel no reservatório com a respetiva abertura do papelão enganchada no suporte do saco de papel.
- **Fig.12:** 1. Saco de papel 2. Abertura do papelão 3. Suporte do saco de papel 4. Entrada de pó

Instalar o saco de polietileno

Com um saco de polietileno instalado no reservatório, pode facilmente esvaziar o reservatório sem sujar as mãos.

Coloque um saco de polietileno sobre o reservatório e deslize um lado do bordo superior do saco na sua extremidade aberta para o espaço entre a placa do suporte e a parede frontal do reservatório.

► **Fig.13:** 1. Placa do suporte 2. Parede frontal do reservatório 3. Saco de polietileno

Espalhe os outros bordos superiores do saco para fora sobre as bordas superiores do reservatório. Coloque o pré-filtro sobre o saco de polietileno para fixar firmemente a abertura do saco.

► **Fig.14:** 1. Pré-filtro

NOTA: Pode ser utilizado um saco de polietileno disponível no mercado. Recomenda-se uma espessura de 0,04 mm ou superior.

NOTA: Demasiado pó causará facilmente o rasgo do saco, por isso, não recolha pó para além de metade da capacidade do saco.

Esvaziar o reservatório com saco de polietileno

⚠AVISO: Certifique-se sempre de que o aspirador está desligado e que as baterias foram removidas antes de esvaziar o reservatório. O não cumprimento desta instrução pode causar choque elétrico e ferimentos pessoais graves.

OBSERVAÇÃO: Não exerça um grande impacto no reservatório. Aplicar um grande impacto pode causar deformação e danos nas peças.

OBSERVAÇÃO: Esvazie o reservatório pelo menos uma vez por dia, embora isso dependa do volume de pó recolhido no reservatório. Ou, a força de sucção enfraquecerá e o motor poderá avariar.

OBSERVAÇÃO: Não agarre os ganchos ou os trincos quando esvaziar o reservatório. Agarrar os ganchos ou os trincos pode fazer com que se partam.

Solte os trincos de bloqueio e levante a unidade superior para fora do reservatório.

Sacuda o pó do pré-filtro antes de elevar o filtro e o afastar do reservatório.

Em seguida, remova o saco de polietileno para fora do reservatório fechando manualmente a abertura do saco.

► **Fig.15:** 1. Saco de polietileno 2. Reservatório

NOTA: Retire cuidadosamente o saco de polietileno do reservatório para evitar que fique riscado e seja rasgado pelos bordos no interior do reservatório.

NOTA: Esvazie o saco de polietileno antes de este ficar cheio. Demasiado pó no reservatório poderá causar o rasgo do saco de polietileno.

Instalar o gancho múltiplo

Utilize o gancho múltiplo para segurar uma mangueira, os acessórios e os complementos que não estão a ser utilizados no devido lugar e pode retirá-los rapidamente de acordo com as suas preferências.

► **Fig.16**

Coloque o gancho múltiplo sobre a base de montagem na parte traseira do aspirador, colocando as calhas no gancho múltiplo ao longo das ranhuras na base de montagem.

► **Fig.17:** 1. Gancho múltiplo 2. Base de montagem

Instalar o adaptador MAKPAC

Acessório opcional

É possível instalar caixas de armazenamento MAKPAC conectáveis e empilháveis no topo do aspirador com um adaptador opcional. As caixas estão disponíveis em vários tamanhos e estilos para se adequarem às suas preferências.

Coloque o gancho da base de montagem sobre a pega do aspirador com a respetiva superfície de montagem voltada para cima quando a pega estiver dobrada na posição fechada.

► **Fig.18:** 1. Gancho da base de montagem 2. Superfície de montagem 3. Pega

Monte o adaptador MAKPAC no gancho da base de montagem e fixe-os em conjunto com os quatro parafusos fornecidos.

► **Fig.19:** 1. Adaptador MAKPAC 2. Gancho da base de montagem 3. Parafuso

Levante a barra de empurrar e aperte o botão para preparar a instalação das caixas MAKPAC no aspirador.

► **Fig.20:** 1. Barra de empurrar 2. Botão

NOTA: Para obter informações sobre a instalação das caixas MAKPAC, consulte as instruções fornecidas com o adaptador e as caixas MAKPAC.

Instalar a mangueira

OBSERVAÇÃO: Nunca force a mangueira para curvá-la ou marcá-la. Nunca mova o aspirador puxando a mangueira. Forçar, marcar e puxar a mangueira pode causar uma quebra ou deformação da mangueira.

OBSERVAÇÃO: Quando recolher grandes resíduos como entalhes de plainas, pós concretos ou similares além de pequenos resíduos, utilize a mangueira com diâmetro interior de 38 mm (acessório opcional). Utilizar a mangueira com 28 mm de diâmetro interior (acessório opcional) poderá causar o enchimento e danos da mangueira.

Ligação ao aspirador

Insira a extremidade da mangueira na entrada de pó (entrada da mangueira) do aspirador e, em seguida, rode-a para a direita até bloquear no devido lugar.

► **Fig.21:** 1. Mangueira 2. Entrada de pó (entrada da mangueira)

Ligações às suas ferramentas de trabalho (Específico do país)

Ao ligar o aspirador a quaisquer ferramentas de trabalho disponíveis e compatíveis com o aspirador, este funciona como um extrator de pó para as suas ferramentas elétricas.

Selecione uma das bainhas frontais ou juntas (acessórios opcionais) como as mais adequadas para o seu modelo de ferramenta. Coloque as bainhas ou a junta, conforme necessário, entre a extremidade frontal da mangueira do aspirador e uma porta de extração de pó da sua ferramenta.

- **Fig.22:** 1. Bainhas frontais ou junta 2. Mangueira do aspirador 3. Ferramenta elétrica 4. Aspirador

Instalar ou remover os acessórios do aspirador

⚠PRECAUÇÃO: Após instalar um acessório, verifique se este está firmemente instalado. Se instalar o acessório de forma imperfeita, este pode soltar-se e provocar ferimentos.

Quando utilizar o acessório sem a função de bloqueio

Acessório opcional

Insira um acessório no bocal de sucção do aspirador empurrando-o e apertando-o manualmente no devido lugar.

Rode manualmente e desmonte o acessório do bocal de sucção após a utilização.

- **Fig.23**

Acessórios com a função de bloqueio

Acessório opcional

OBSERVAÇÃO: Quando instalar o acessório com a função de bloqueio, certifique-se de que alinha o botão de libertação com o gancho no acessório. Se não estiverem alinhados, o acessório não bloqueia e pode soltar-se do aspirador.

Insira um acessório no bocal de sucção do aspirador empurrando-os em conjunto com um clique. Para remover o acessório, retire-o enquanto pressiona o botão de libertação.

- **Fig.24:** 1. Bocal de sucção com a função de bloqueio 2. Botão de libertação 3. Acessório com a função de bloqueio

NOTA: Um acessório com a função de bloqueio só pode ser instalado no bocal de sucção com a função de bloqueio.

- **Fig.25:** 1. Acessório com a função de bloqueio 2. Bocal de sucção com a função de bloqueio 3. Bocal de sucção sem a função de bloqueio

Ajustar os comprimentos do tubo extensor do tubo corredeço

Acessório opcional

É possível combinar um tubo extensor do tipo corredeço para comprimentos mais curtos e mais longos. Tal permite limpar áreas de difícil acesso e opções de posicionamento confortáveis.

Insira e retire o tubo deslizante para alterar os comprimentos do tubo enquanto pressiona sem soltar o botão deslizante.

Solte o botão deslizante para bloquear o tubo deslizante na posição pretendida.

- **Fig.26:** 1. Tubo deslizante 2. Botão deslizante

FUNÇÃO DE ATIVAÇÃO SEM FIOS

O que pode fazer com a função de ativação sem fios

A função de ativação sem fios possibilita um funcionamento limpo e confortável. Ao ligar uma ferramenta suportada ao aspirador, pode utilizar o aspirador automaticamente juntamente com o funcionamento por interruptor da ferramenta.

- **Fig.27**

OBSERVAÇÃO: Consulte também o manual de instruções da ferramenta quando utilizar o aspirador com a função de ativação sem fios.

OBSERVAÇÃO: Não desmonte ou manipule a unidade sem fios.

OBSERVAÇÃO: Para evitar a entrada de poeira na ranhura da unidade sem fios, feche sempre a tampa firmemente durante a operação e o armazenamento.

OBSERVAÇÃO: Não remova a unidade sem fios enquanto estiver a ser fornecida alimentação elétrica. Fazê-lo pode causar a anomalia da unidade sem fios.

OBSERVAÇÃO: Não pressione o botão de ativação sem fios com demasiada força e/ou pressione o botão com um objeto com aresta afiada.

NOTA: A ativação sem fios necessita de ferramentas Makita equipadas com a unidade sem fios.

NOTA: Antes da utilização inicial da função de ativação sem fios com cada ferramenta, é necessário realizar o registo da ferramenta. Após ter concluído o registo da ferramenta, não é necessário voltar a registá-la, exceto se for cancelado.

NOTA: Antes de realizar o registo, verifique se a unidade sem fios está inserida corretamente.

NOTA: Uma unidade sem fios pode registar até 10 ligações com outras unidades sem fios. Se estiverem registadas mais de 10 unidades sem fios para uma unidade sem fios, a unidade sem fios registada mais cedo será cancelada automaticamente.

NOTA: A posição do botão de ativação sem fios varia em função da ferramenta.

NOTA: O aspirador também efetua o arranque ao pressionar o botão de ligar quando o interruptor do modo de espera estiver regulado para "AUTO". Contudo, o botão de ligar não atua quando a função de ativação sem fios é usada.

Instalar a unidade sem fios

⚠️ PRECAUÇÃO: Coloque o aspirador numa superfície plana e estável quando instalar a unidade sem fios.

OBSERVAÇÃO: Limpe a poeira e a sujidade do aspirador antes de instalar a unidade sem fios. A poeira e a sujidade podem causar o mau funcionamento caso entrem na ranhura da unidade sem fios.

OBSERVAÇÃO: Para evitar o mau funcionamento causado pela estática, toque num material de descarga estática, tal como uma peça metálica, antes de pegar na unidade sem fios.

OBSERVAÇÃO: Quando instalar a unidade sem fios, certifique-se sempre de que a unidade sem fios é inserida na direção correta e que a tampa está completamente fechada.

1. Abra a tampa do aspirador conforme ilustrado na figura.

► **Fig.28:** 1. Tampa

2. Insira a unidade sem fios na ranhura e feche a tampa, em seguida.

Quando inserir a unidade sem fios, alinhe as projeções com as partes encaixadas na ranhura.

► **Fig.29:** 1. Unidade sem fios 2. Projeção 3. Tampa 4. Parte encaixada

Quando remover a unidade sem fios, abra a tampa lentamente. Os ganchos na parte traseira da tampa elevam a unidade sem fios à medida que puxa a tampa para cima.

► **Fig.30:** 1. Unidade sem fios 2. Gancho 3. Tampa

Após remover a unidade sem fios, guarde-a na caixa fornecida ou num recipiente anti-estática.

OBSERVAÇÃO: Utilize sempre os ganchos da parte traseira da tampa quando remover a unidade sem fios. Se os ganchos não agarrarem a unidade sem fios, feche a tampa completamente e volte a abri-la lentamente.

Registo da ferramenta para o aspirador

NOTA: É necessária uma ferramenta Makita que suporta a função de ativação sem fios para realizar o registo da ferramenta.

NOTA: Conclua a instalação da unidade sem fios na ferramenta antes de iniciar o registo da ferramenta.

NOTA: Durante o registo da ferramenta, não puxe o gatilho do interruptor na ferramenta ou ligue o interruptor de alimentação do aspirador.

NOTA: Consulte também o manual de instruções da ferramenta.

Se pretender ativar o aspirador juntamente com o funcionamento por interruptor da ferramenta, conclua primeiramente o registo da ferramenta.

1. Instale as unidades sem fios no aspirador e na ferramenta, respetivamente.

2. Instale as baterias no aspirador e na ferramenta.

3. Regule o interruptor do modo de espera no aspirador para "AUTO".

► **Fig.31:** 1. Interruptor do modo de espera

4. Pressione o botão de ativação sem fios do aspirador durante 3 segundos até a lâmpada de ativação sem fios piscar a verde. Em seguida, pressione o botão de ativação sem fios da ferramenta da mesma forma.

► **Fig.32:** 1. Botão de ativação sem fios 2. Lâmpada de ativação sem fios

Se o aspirador e a ferramenta forem ligados com sucesso, as lâmpadas de ativação sem fios acendem a verde durante 2 segundos e começam a piscar a azul.

NOTA: As lâmpadas de ativação sem fios acabam de piscar a verde após decorridos 20 segundos. Pressione o botão de ativação sem fios da ferramenta enquanto a lâmpada de ativação sem fios do aspirador estiver a piscar. Se a lâmpada de ativação sem fios não piscar a verde, pressione o botão de ativação sem fios por breves instantes e mantenha-o pressionado novamente.

NOTA: Quando realizar dois ou mais registos da ferramenta para o aspirador, conclua o registo da ferramenta um por um.

Iniciar a função de ativação sem fios

NOTA: Conclua o registo da ferramenta para o aspirador para a ativação sem fios.

NOTA: Coloque sempre o aspirador de modo a ver o estado da lâmpada de ativação sem fios.

NOTA: Consulte também o manual de instruções da ferramenta.

Após registar uma ferramenta para o aspirador, o aspirador funciona automaticamente com o funcionamento por interruptor da ferramenta.

1. Instale as unidades sem fios no aspirador e na ferramenta, respetivamente.

2. Instale as baterias no aspirador e na ferramenta.

3. Ligue a mangueira do aspirador à ferramenta.
► **Fig.33**
4. Regule o interruptor do modo de espera no aspirador para "AUTO".
► **Fig.34:** 1. Interruptor do modo de espera
5. Pressione o botão de ativação sem fios da ferramenta por breves instantes. A lâmpada de ativação sem fios pisca a azul.
► **Fig.35:** 1. Botão de ativação sem fios 2. Lâmpada de ativação sem fios
6. Ligue a ferramenta. Verifique se o aspirador funciona enquanto a ferramenta está a funcionar.

⚠PRECAUÇÃO: Verifique sempre se a função de ativação sem fios funciona antes de iniciar um trabalho com a ferramenta.

Para parar a ativação sem fios, pressione o botão de ativação sem fios da ferramenta ou regule o interruptor do modo de espera no aspirador para "I" ou "O".

NOTA: A lâmpada de ativação sem fios da ferramenta para de piscar a azul quando não ocorre qualquer utilização durante 2 horas. Neste caso, regule o interruptor do modo de espera do aspirador para "AUTO" e pressione novamente o botão de ativação sem fios da ferramenta.

NOTA: O aspirador inicia/para com um atraso. Ocorre um atraso temporal quando o aspirador deteta o funcionamento por interruptor da ferramenta.

NOTA: A distância de transmissão da unidade sem fios poderá variar em função do local e das circunstâncias envolventes.

NOTA: Quando duas ou mais ferramentas forem registadas para um aspirador, o aspirador poderá iniciar o seu funcionamento mesmo que não ligue a ferramenta devido ao facto de outro utilizador estar a utilizar a função de ativação sem fios.

Cancelar o registo da ferramenta para o aspirador

Realize o procedimento seguinte quando cancelar o registo da ferramenta para o aspirador.

1. Instale as unidades sem fios no aspirador e na ferramenta, respetivamente.
2. Instale as baterias no aspirador e na ferramenta.
3. Regule o interruptor do modo de espera no aspirador para "AUTO".
► **Fig.36:** 1. Interruptor do modo de espera
4. Pressione o botão de ativação sem fios do aspirador durante 6 segundos. A lâmpada de ativação sem fios pisca a verde e fica vermelha, em seguida. Seguidamente, pressione o botão de ativação sem fios da ferramenta da mesma forma.
► **Fig.37:** 1. Botão de ativação sem fios 2. Lâmpada de ativação sem fios

Se o cancelamento for realizado com sucesso, as lâmpadas de ativação sem fios acendem a vermelho durante 2 segundos e começam a piscar a azul.

NOTA: As lâmpadas de ativação sem fios acabam de piscar a vermelho após decorridos 20 segundos. Pressione o botão de ativação sem fios da ferramenta enquanto a lâmpada de ativação sem fios do aspirador estiver a piscar. Se a lâmpada de ativação sem fios não piscar a vermelho, pressione o botão de ativação sem fios por breves instantes e mantenha-o pressionado novamente.

Apagar todos os registos da ferramenta

Podem apagar todos os registos da ferramenta do aspirador do seguinte modo.

► **Fig.38:** 1. Interruptor do modo de espera 2. Botão de ativação sem fios 3. Lâmpada de ativação sem fios











1. Instale a unidade sem fios no aspirador.
2. Instale as baterias no aspirador.
3. Regule o interruptor do modo de espera para "AUTO".
4. Pressione o botão de ativação sem fios durante 6 segundos até a lâmpada de ativação sem fios piscar a vermelho (cerca de duas vezes por segundo).
5. Quando a lâmpada de ativação sem fios começa a piscar a vermelho, solte o botão de ativação sem fios. Em seguida, volte a pressionar o botão de ativação sem fios durante cerca de 6 segundos.
6. Quando a lâmpada de ativação sem fios começa a piscar rapidamente (cerca de 5 vezes por segundo) a vermelho, solte o botão de ativação sem fios. Quando a lâmpada de ativação sem fios acende a vermelho e desliga posteriormente, todos os registos da ferramenta são apagados.

NOTA: Se a lâmpada de ativação sem fios não piscar a vermelho, pressione o botão de ativação sem fios por breves instantes e tente novamente.

Descrição do estado da lâmpada de ativação sem fios

► **Fig.39:** 1. Botão de ativação sem fios 2. Lâmpada de ativação sem fios

A lâmpada de ativação sem fios exibe o estado da função de ativação sem fios. Consulte a tabela seguinte para obter o significado do estado da lâmpada.

Estado	Lâmpada de ativação sem fios			Descrição
	Cor	 Ligada	 A piscar	
Modo de espera	Azul		Aspirador: contínuo Ferramenta: 2 horas	A aguardar o registo da ferramenta ou a função de ativação sem fios está disponível. A lâmpada no aspirador pisca quando o interruptor do modo de espera estiver regulado para AUTO. A lâmpada na ferramenta pisca quando o botão de ativação sem fios for pressionado. A lâmpada na ferramenta desliga automaticamente quando a ferramenta não é utilizado durante 2 horas.
			Quando a ferramenta estiver a funcionar.	A ativação sem fios do aspirador está disponível e a ferramenta está a funcionar.
Registo da ferramenta	Verde		20 segundos	Preparado para o registo da ferramenta. A pesquisar ferramenta para registo.
			2 segundos	O registo da ferramenta foi concluído. A lâmpada de ativação sem fios começa a piscar a azul.
Cancelar/apagar o registo da ferramenta	Vermelho	 (lento: 2 vezes/seg.)	20 segundos	Preparado para o cancelamento do registo da ferramenta. A pesquisar ferramenta a cancelar.
		 (rápido: 5 vezes/seg.)	Quando o botão de ativação sem fios for pressionado.	Pronto para apagar todos os registos da ferramenta.
			2 segundos	O registo da ferramenta foi cancelado/apagado. A lâmpada de ativação sem fios começa a piscar a azul.
Outros	Vermelho		3 segundos	A alimentação elétrica é fornecida à unidade sem fios e a função de ativação sem fios é iniciada.
	Desligada	-	-	O interruptor do modo de espera não está regulado para "AUTO".

Resolução de problemas para a função de ativação sem fios

Antes de pedir uma reparação, realize primeiro a sua própria inspeção. Se encontrar um problema que não esteja explicado no manual, não tente desmontar a ferramenta. Em vez disso, peça as reparações nos centros de assistência técnica autorizados da Makita, usando sempre peças de substituição da Makita.

Estado da anomalia	Causa provável (avaria)	Correção
A lâmpada de ativação sem fios não acende/pisca.	A unidade sem fios não está instalada no aspirador e/ou na ferramenta. A unidade sem fios está instalada incorretamente no aspirador e/ou na ferramenta.	Instale a unidade sem fios corretamente.
	O terminal da unidade sem fios e/ou a ranhura estão sujos.	Limpe delicadamente a poeira e a sujidade do terminal da unidade sem fios e limpe a ranhura do aspirador e/ou da ferramenta.
	O botão de ativação sem fios da ferramenta não foi pressionado.	Pressione o botão de ativação sem fios da ferramenta por breves instantes.
	O interruptor do modo de espera do aspirador não está regulado para "AUTO".	Regule o interruptor do modo de espera no aspirador para "AUTO".
	Sem fornecimento de alimentação elétrica	Forneça alimentação elétrica à ferramenta e ao aspirador.
Não foi possível concluir o registo da ferramenta / o cancelamento do registo da ferramenta com sucesso.	A unidade sem fios não está instalada no aspirador e/ou na ferramenta. A unidade sem fios está instalada incorretamente no aspirador e/ou na ferramenta.	Instale a unidade sem fios corretamente.
	O terminal da unidade sem fios e/ou a ranhura estão sujos.	Limpe delicadamente a poeira e a sujidade do terminal da unidade sem fios e limpe a ranhura do aspirador e/ou da ferramenta.
	O interruptor do modo de espera do aspirador não está regulado para "AUTO".	Regule o interruptor do modo de espera no aspirador para "AUTO".
	Sem fornecimento de alimentação elétrica	Forneça alimentação elétrica à ferramenta e ao aspirador.
	Funcionamento incorreto	Pressione o botão de ativação sem fios por breves instantes e volte a realizar os procedimentos de registo da ferramenta/cancelamento.
	A ferramenta e o aspirador estão afastados um do outro (fora do alcance da transmissão).	Aproxime a ferramenta do aspirador. A distância máxima de transmissão é aproximadamente 10 m, contudo, poderá variar de acordo com as circunstâncias.
	Antes de terminar o registo/cancelamento da ferramenta; - o interruptor da ferramenta é ativado; ou - o botão de alimentação no aspirador é ativado.	Pressione o botão de ativação sem fios por breves instantes e volte a realizar os procedimentos de registo da ferramenta/cancelamento.
	Os procedimentos de registo da ferramenta para a ferramenta ou aspirador não foram concluídos.	Realize os procedimentos de registo da ferramenta para a ferramenta e para o aspirador ao mesmo tempo.
	Interferência radioelétrica por outros aparelhos que geram ondas de rádio de alta intensidade.	Mantenha a ferramenta e o aspirador afastados de aparelhos como dispositivos Wi-Fi e fornos microondas.

Estado da anomalia	Causa provável (avaria)	Correção
O aspirador não funciona juntamente com o funcionamento por interruptor da ferramenta.	A unidade sem fios não está instalada no aspirador e/ou na ferramenta. A unidade sem fios está instalada incorretamente no aspirador e/ou na ferramenta.	Instale a unidade sem fios corretamente.
	O terminal da unidade sem fios e/ou a ranhura estão sujos.	Limpe delicadamente a poeira e a sujidade do terminal da unidade sem fios e limpe a ranhura do aspirador e/ou da ferramenta.
	O botão de ativação sem fios da ferramenta não foi pressionado.	Pressione o botão de ativação sem fios por breves instantes e certifique-se de que a lâmpada de ativação sem fios está a piscar a azul.
	O interruptor do modo de espera do aspirador não está regulado para "AUTO".	Regule o interruptor do modo de espera no aspirador para "AUTO".
	Estão registadas mais de 10 ferramentas para o aspirador.	Realize o registo da ferramenta novamente. Se estiverem registadas mais de 10 ferramentas para o aspirador, a ferramenta registada mais cedo será cancelada automaticamente.
	O aspirador apagou todos os registos da ferramenta.	Realize o registo da ferramenta novamente.
	Sem fornecimento de alimentação elétrica	Forneça alimentação elétrica à ferramenta e ao aspirador.
	A ferramenta e o aspirador estão afastados um do outro (fora do alcance da transmissão).	Aproxime a ferramenta do aspirador. A distância máxima de transmissão é aproximadamente 10 m, contudo, poderá variar de acordo com as circunstâncias.
	Interferência radioelétrica por outros aparelhos que geram ondas de rádio de alta intensidade.	Mantenha a ferramenta e o aspirador afastados de aparelhos como dispositivos Wi-Fi e fornos microondas.
O aspirador funciona enquanto a ferramenta não está a funcionar.	Outros utilizadores estão a utilizar a ativação sem fios do aspirador com as respetivas ferramentas.	Desligue o botão de ativação sem fios das outras ferramentas ou cancele o registo da ferramenta das outras ferramentas.
Não pode apagar todos os registos da ferramenta do aspirador.	Pressionar o botão sem fios da ferramenta.	Pressione o botão sem fios do aspirador para apagar todos os registos da ferramenta.
	O interruptor do modo de espera do aspirador não está regulado para "AUTO".	Regule o interruptor do modo de espera no aspirador para "AUTO".
	O botão de ativação sem fios não está pressionado corretamente.	Pressione o botão de ativação sem fios durante mais de 6 segundos e solte-o quando a lâmpada de ativação sem fios piscar a vermelho. Volte a pressionar o botão de ativação sem fios durante mais de 6 segundos até a lâmpada de ativação sem fios piscar rapidamente a vermelho e, em seguida, solte o botão.

MANUTENÇÃO

⚠️ PRECAUÇÃO: Certifique-se sempre de que o aparelho está desligado e que as baterias foram removidas antes de tentar efetuar qualquer inspeção ou manutenção.

⚠️ OBSERVAÇÃO: Nunca utilize gasolina, benzina, diluente, álcool ou produtos semelhantes. Pode ocorrer a descoloração, deformação ou rachaduras.

Para manter a SEGURANÇA e a FIABILIDADE do produto, as reparações e qualquer outra manutenção ou ajuste devem ser levados a cabo pelos centros de assistência Makita autorizados ou pelos centros de assistência de fábrica, utilizando sempre peças de substituição Makita.

Armazenamento de acessórios

Os acessórios e os complementos que não estão a ser utilizados, como os bocais e as escovas, podem ser enganchados e armazenados no gancho múltiplo na parte traseira do aspirador.

► **Fig.40:** 1. Gancho múltiplo 2. Acessórios e complementos que não estão a ser utilizados

Os tubos (com um batente opcional instalado) podem ser colocados no suporte do tubo quando não utilizar o aspirador por um período curto.

► **Fig.41:** 1. Batente (acessório opcional) 2. Suporte do tubo

É possível enrolar e armazenar uma mangueira em torno do corpo ou da pega do aspirador em voltas largas. Ligue as respetivas extremidades entre si para fazer voltas e enganche as voltas na pega levantada. Em alternativa, mantenha a respetiva extremidade original instalada na entrada da mangueira e pendure as voltas no gancho múltiplo com a extremidade solta amarrada.

► **Fig.42**

► **Fig.43**

Limpar o filtro de pó (HEPA) e o pré-filtro

Limpe regularmente o filtro de pó, o pré-filtro e o amortecedor uma vez que os filtros e um amortecedor obstruídos podem dar origem a um fraco desempenho de sucção.

De forma rotineira, limpe e sacuda manualmente o pó dos filtros e do amortecedor.

► **Fig.44:** 1. Pré-filtro

► **Fig.45:** 1. Amortecedor 2. Filtro de pó (HEPA)

Lave ocasionalmente o filtro de pó em água, enxagúe-o e deixe-o secar bem à sombra antes de usar. Nunca lave os filtros numa máquina de lavar roupa.

► **Fig.46**

NOTA: Não esfregue ou arranhe o filtro de pó, o pré-filtro ou o amortecedor com objetos duros, tais como uma escova e uma palheta.

NOTA: Os filtros sofrem desgaste com o tempo. Recomenda-se ter algumas peças sobresselentes para estes.

ACESSÓRIOS OPCIONAIS

⚠️ PRECAUÇÃO: Estes acessórios ou peças são recomendados para utilização com a ferramenta Makita especificada neste manual. A utilização de outros acessórios ou peças pode ser perigosa para as pessoas. Utilize apenas acessórios ou peças para os fins indicados.

Se necessitar de informações adicionais relativas a estes acessórios, solicite-as ao seu centro de assistência Makita.

- Mangueira
- Bainhas frontais (22, 24, 38)
- Tubo reto
- Tubo extensor
- Bocal para cantos
- Escova redonda
- Filtro de pó, HEPA (para pó seco)
- Amortecedor
- Pré-filtro
- Conjunto do bocal
- Tubo curvo
- Saco de polietileno
- Saco de papel
- Adaptador MAKPAC
- Unidade sem fios
- Bateria e carregador genuínos da Makita

NOTA: Alguns itens da lista podem estar incluídos na embalagem da ferramenta como acessórios padrão. Eles podem variar de país para país.

ADVARSEL

- Denne maskine er ikke beregnet til brug af personer, herunder børn, med reducerede fysiske, sensoriske eller mentale færdigheder eller manglende erfaring og viden.
- Børn skal overvåges for at sikre, at de ikke leger med støvsugeren.
- Se kapitlet "SPECIFIKATIONER" for batteriets typereference.
- Se afsnittet "Installation eller fjernelse af akkuen" for at finde ud af, hvordan man fjerner eller installerer batteriet.
- Når du bortskaffer akkuen, skal du afmontere den fra maskinen og bortskaffe den på et sikkert sted. Følg dine lokale regler vedrørende bortskaffelse af batterier.
- Hvis maskinen ikke skal bruges i en længere periode, skal batteriet fjernes fra maskinen.
- Akkuen må ikke kortsluttes.
- Se kapitlet "VEDLIGEHOLDELSE" for at få de relevante oplysninger om forholdsregler under brugervedligeholdelse.

SPECIFIKATIONER

Model:	VC002GL	VC004GL
Standardfiltertype	Pulverfilter (til tørt støv)	
Maksimal luftvolumen (med BL4040, ø38 mm x 2,5 m slange)	2,7 m ³ /min	
Vakuum (med BL4040, ø38 mm x 2,5 m slange)	23 kPa	
Opsamlingskapacitet	8 L	15 L
Dimensioner (L x B x H)	366 mm x 334 mm x 425 mm	366 mm x 334 mm x 475 mm
Nominel spænding	D.C. Maks. 36 V - 40 V	
Nettovægt	8,3 - 11,4 kg	8,6 - 11,7 kg
Beskyttelsesgrad	IPX4	

- På grund af vores kontinuerlige forsknings- og udviklingsprogrammer kan hosstående specifikationer blive ændret uden varsel.
- Specifikationer og akku kan variere fra land til land.
- Vægten inkluderer akku(er), men ikke tilbehør. Vægten af den letteste og tungeste kombination af apparat og akku(er) er vist i tabellen.
- Til vådt støv kræves flyderen og vandfilteret eller tekstilfilteret.

Anvendelig akku og oplader

Akku	BL4020 / BL4025 / BL4040* / BL4050F* / BL4080F* * : Anbefalet batteri
Oplader	DC40RA / DC40RB / DC40RC

- Nogle af de akkuer og opladere, der er angivet ovenfor, er muligvis ikke tilgængelige, afhængigt af hvilket område du bor i.

⚠ ADVARSEL: Brug kun de akkuer og opladere, der er angivet ovenfor. Brug af andre akkuer og opladere kan medføre personskade og/eller brand.

Symboler

Følgende viser de symboler, der muligvis anvendes til udstyret. Sørg for, at du forstår deres betydning før brugen.



Læs betjeningsvejledningen.



Udvis særlig forsigtighed og opmærksomhed.



Advarsel! Støvsugeren indeholder muligvis farligt støv.



Stå aldrig på støvsugeren.



Støvklasser L (let). Støvsugeren kan opstige støvklasser L. Følg lovgivningen i dit land vedrørende støv samt sundhed og sikkerhed på arbejdspladsen.



Kun for lande inden for EU
 På grund af tilstedeværelsen af farlige komponenter i udstyret kan affald af elektrisk og elektronisk udstyr, akkumulatører og batterier have en negativ indvirkning på miljøet og folkesundheden.
 Bortskaf ikke elektriske og elektroniske apparater eller batterier sammen med husholdningsaffald!
 I overensstemmelse med EF-direktiv om affaldshåndtering af elektrisk og elektronisk udstyr og om akkumulatører og batterier og affaldsakkumulatører og -batterier, og i overensstemmelse med national lovgivning, skal brugt elektrisk udstyr, batterier og akkumulatører opbevares separat og leveres til et separat indsamlingssted for kommunalt affald, der er etableret i henhold til bestemmelserne om miljøbeskyttelse. Dette er angivet ved symbolet på den krydsede skrældespand, der er placeret på udstyret.

Tilsigtet anvendelse

Apparatet er beregnet til opslugning af tørt støv. Apparatet er egnet til kommerciel brug, for eksempel på hoteller, skoler, hospitaler, fabrikker, butikker, kontorer og udlejningsvirksomheder.

Støj

Det typiske A-vægtede støjniveau bestemmt i overensstemmelse med EN60335-2-69:

Model VC002GL

Lydtryksniveau (L_{pA}): 70 dB (A) eller derunder
 Usikkerhed (K): 2,5 dB (A)

Model VC004GL

Lydtryksniveau (L_{pA}): 70 dB (A) eller derunder
 Usikkerhed (K): 2,5 dB (A)

Støjniveauet under arbejdet kan overskride 80 dB (A).

BEMÆRK: De(n) angivne støjemissionsværdi(er) er målt i overensstemmelse med en standardtestmetode og kan anvendes til at sammenligne en maskine med en anden.

BEMÆRK: De(n) angivne støjemissionsværdi(er) kan også anvendes i en præliminær eksponeringsvurdering.

⚠ ADVARSEL: Bær høreværn.

⚠ ADVARSEL: Støjemissionen under den faktiske anvendelse af maskinen kan være forskellig fra de(n) angivne værdi(er), afhængigt af den måde hvorpå maskinen anvendes, især den type arbejdsemne der behandles.

⚠ ADVARSEL: Sørg for at identificere de sikkerhedsforskrifter til beskyttelse af operatøren, som er baseret på en vurdering af eksponering under de faktiske brugsforhold (med hensyntagen til alle dele i brugscyklussen, f.eks. de gange, hvor maskinen er slukket, og når den kører i tomgang i tilgift til afbrydertiden).

Vibration

Vibrationens totalværdi (tre-aksial vektorsum) bestemmt i overensstemmelse med EN60335-2-69:

Model VC002GL

Vibrationsafgivelse (a_{hM}): 2,5 m/s² eller mindre
 Usikkerhed (K): 1,5 m/s²

Model VC004GL

Vibrationsafgivelse (a_{hM}): 2,5 m/s² eller mindre
 Usikkerhed (K): 1,5 m/s²

BEMÆRK: De(n) angivne totalværdi(er) for vibration er målt i overensstemmelse med en standardtestmetode og kan anvendes til at sammenligne en maskine med en anden.

BEMÆRK: De(n) angivne totalværdi(er) for vibration kan også anvendes i en præliminær eksponeringsvurdering.

⚠ ADVARSEL: Vibrationsemissionen under den faktiske anvendelse af maskinen kan være forskellig fra de(n) angivne værdi(er), afhængigt af den måde hvorpå maskinen anvendes, især den type arbejdsemne der behandles.

⚠ ADVARSEL: Sørg for at identificere de sikkerhedsforskrifter til beskyttelse af operatøren, som er baseret på en vurdering af eksponering under de faktiske brugsforhold (med hensyntagen til alle dele i brugscyklussen, f.eks. de gange, hvor maskinen er slukket, og når den kører i tomgang i tilgift til afbrydertiden).

EF-overensstemmelseserklæring

Kun for lande i Europa

EF-overensstemmelseserklæringen er inkluderet som Bilag A i denne brugsanvisning.

SIKKERHEDSADVARSLER

Sikkerhedsadvarsler for akku støvsuger

⚠ ADVARSEL: VIGTIGT! LÆS OMHYGGELIGT alle sikkerhedsadvarsler og alle instruktioner FØR BRUGEN. Hvis advarslerne og instruktionerne ikke overholdes, kan det medføre elektrisk stød, brand og/eller alvorlig personskade.

1. Før brugen skal du sørge for, at denne støvsuger anvendes af personer, der er tilstrækkeligt oplært i brugen af støvsugeren.
2. Før brugen skal operatører have oplysninger, instruktioner og oplæring i brugen af maskinen og de stoffer, den kan anvendes til, herunder den sikre metode til fjernelse og bortskaffelse af det opsamlende materiale.
3. Sørg altid for, at filtrene er monteret korrekt inden brug. Anvend ikke støvsugeren uden filtre på plads. Udskift straks et beskadiget filter. Det anbefales at have nogle ekstra filtre, da filtre er forbrugsvare.

4. **UNDGÅ, AT MASKINEN STARTER VED ET UHELD.** Sørg for, at der er slukket på kontakten, ved montering af batteri(er).
5. Forsøg ikke at opsuge brændbare materialer, fyrværkeri, tændte cigaretter, varm aske, varme metalspånere, skarpe genstande som f.eks. barberblade, nåle, glasskår eller lignende.
6. **BRUG ALDRIG STØVSUGEREN I NÆRHEDEDEN AF BENZIN, GAS, MALING, LIM ELLER ANDRE STÆRKT EKSPLOSIONSFARLIGE STOFFER.** Afbryderen udsender gnister, når der tændes eller slukkes. Det samme gør motorkommutatoren under brugen. Det kan medføre farlig eksplosion.
7. Støvsug aldrig giftstoffer, kræftfremkaldende stoffer, brændbare stoffer eller andre farlige materialer som f.eks. asbest, arsenik, barium, beryllium, bly, insektmidler eller andre sundhedsskadelige materialer.
8. Placer altid støvsugeren på en horisontal plan overflade for at forhindre, at den falder eller flytter sig ved et uheld.
9. Brug aldrig støvsugeren udenfor i regnvejr.
10. I Finland er det ikke tilladt at benytte maskinen ved lave udendørstemperaturer.
11. Brug ikke i nærheden af varmekilder (komfurer og lignende).
12. Hvis udstødningsluften sendes tilbage i rummet, er det nødvendigt at bruge passende luftudvekslingshastighed i rummet. Reference til nationale reguleringer er nødvendig.
13. Bloker ikke sugeåbningen/udløbet/ventilationsåbningerne til afkøling. Disse ventilationsåbninger muliggør afkøling af motoren. Blokering skal undgås omhyggeligt, da motoren ellers vil brænde sammen på grund af en mangel på ventilation.
14. Oprethold til enhver tid korrekt fodfæste og balance.
15. Undlad at sammenfolde, rykke i eller træde på slangen.
16. Stop med det samme støvsugeren, hvis du bliver opmærksom på dårlig ydelse eller noget unormalt under brugen.
17. **FJERN BATTERIET ELLER BATTERIERNE.** Når maskinen ikke er i brug, før service, og når der skiftes tilbehør.
18. Rengør og servicer støvsugeren umiddelbart efter hver brug for at holde den i tiptop funktionstilstand.
19. **VEDLIGEHOOLD STØVSUGEREN OMHYGGELIGT.** Hold støvsugeren ren for at opnå bedre og sikrere ydelse. Følg instruktionerne for udskiftning af tilbehør. Hold håndtagene tørre, rene og fri for olie og fedt.
20. **KONTROLLER BESKADIGEDE DELE.** Før støvsugeren bruges igen, skal en beskyttelseskærm eller anden del, som er beskadiget, kontrolleres omhyggeligt for at fastslå, om den vil fungere korrekt og udføre sin tilsigtede funktion. Kontroller for justeringen af bevægelige dele, binding af bevægelige dele, brud på dele, montering og alle andre forhold, der kan påvirke funktionaliteten. En beskyttelseskærm eller anden del, der er beskadiget, skal repareres korrekt eller udskiftes af et autoriseret servicecenter, medmindre andet fremgår andetsteds i denne brugsanvisning. Få defekte afbrydere udskiftet hos et autoriseret servicecenter. Brug ikke støvsugeren, hvis afbryderen ikke kan tænde eller slukke for den.
21. For brugerservicering skal maskinen skilles ad, rengøres og serviceres så vidt muligt praktisk uden at udgøre en risiko for vedligeholdelsespersonalet og andre.
22. Der skal foretages teknisk inspektion af maskinen af producenten eller en instrueret person mindst én gang om året, f.eks. bestående af inspektion af filtrene for skader, om maskinen er lufttæt, og om kontrolmekanismen fungerer korrekt.
23. Ved udførelse af service- eller reparations handlinger skal alle forurenede elementer, som ikke kan rengøres tilfredsstillende, bortskaffes i tætte poser i overensstemmelse med eventuel lovgivning vedrørende bortskaffelse af sådant affald.
24. **RESERVEDELE.** Brug kun identiske reservedele i forbindelse med service.
25. **OPBEVAR STØVSUGEREN, NÅR DEN IKKE BRUGES.** Når maskinen ikke er i brug, skal den opbevares indendørs.
26. Behandl din støvsuger godt. Hårdhændet behandling kan medføre, at selv den mest solidt byggede støvsuger går i stykker.
27. Forsøg ikke at rengøre udvendigt eller indvendigt med benzen, fortynder eller kemiske rengøringsmidler. Dette kan medføre revner og misfarvning.
28. Brug ikke støvsugeren i et aflukket lokale, hvor der afgives brændbare, eksplosive eller giftige dampe fra oliebaseret maling, malingsfortynder, benzin, visse mølmidler osv., eller på steder med brandfarligt støv.
29. Anvend ikke denne eller andre maskiner, hvis du er påvirket af narkotika eller alkohol.
30. Anvend som grundlæggende sikkerhedsregel beskyttelsesbriller eller sikkerhedsbriller med sideværn.
31. Brug en støvmaske i støvede arbejdsforhold.
32. Denne maskine er ikke beregnet til brug af personer, herunder børn, med reducerede fysiske, sensoriske eller mentale færdigheder eller manglende erfaring og viden.
33. Børn skal overvåges for at sikre, at de ikke leger med støvsugeren.
34. Håndter aldrig batteriet eller batterierne og støvsugeren med våde hænder.
35. Vær ekstremt forsigtig ved rengøring på trapper.
36. Anvend ikke støvsugeren som taburet eller arbejdsbænk. Maskinen kan falde ned og forårsage personskade.
37. Undlad at suge skum eller sæbevand op. Det kan få skum til at komme ud af luftudtaget, hvilket resulterer i elektrisk stød og beskadigelse af støvsugeren.

Brug og vedligeholdelse af batteriet

1. **Oplad kun med den oplader, som producenten angiver** En oplader, der passer til én type batteri, kan forårsage brand, hvis den anvendes med et andet batteri.
2. **Brug kun el-værktøjer sammen med de tilhørende batteripakker.** Brug af andre batteripakker kan forårsage personskade og brand.
3. **Når batteripakker ikke anvendes, skal de holdes borte fra andre metalgenstande som papirclips, mønter, nøgler, søm, skruer og andre små metalgenstande, der kan skabe forbindelse mellem terminalerne.** Hvis batteriets terminaler kortsluttes, kan det forårsage brand.
4. **I tilfælde af misbrug kan der sprøjte væske ud fra batteriet. Undgå kontakt. Skyl med vand, hvis De kommer i kontakt med væsken. Søg læge, hvis De får væske i øjet.** Væske, der sprøjter ud fra batteriet, kan medføre irritation eller forbrændinger.
5. **Undlad at bruge en akku eller maskine, der er beskadiget eller ændret.** Beskadigede eller ændrede batterier kan fungere uforudsigeligt og medføre brand, eksplosion eller risiko for personskade.
6. **Undlad at udsætte en akku eller maskine for brand eller høje temperaturer.** Udsættelse for brand eller temperaturer på over 130 °C kan medføre eksplosion.
7. **Følg alle instruktioner vedrørende opladning, og undlad at oplade akkuen eller maskinen uden for det temperaturinterval, der er angivet i instruktionerne.** Opladning, der udføres forkert eller ved temperaturer uden for det angivne temperaturinterval, kan beskadige batteriet og medføre øget risiko for brand.

GEM DENNE BRUGSANVISNING.

⚠ ADVARSEL: LAD IKKE bekvemmelighed eller kendskab til produktet (opnået gennem gentagen brug) forhindre, at sikkerhedsforskrifterne for produktet nøje overholdes. **MISBRUG** eller forsømmelse af at følge de i denne brugsvejledning givne sikkerhedsforskrifter kan føre til, at De kommer alvorligt til skade.

Vigtige sikkerhedsinstruktioner for akkuen

1. **Læs alle instruktioner og advarselmærkater på (1) akku-opladeren, (2) akkuen og (3) produktet, som anvender akku.**
2. **Adskil eller ændr ikke akkuen.** Det kan muligvis resultere i en brand, overdreven varme eller eksplosion.
3. **Hold straks op med anvendelsen, hvis brugstiden er blevet stærkt afkortet. Fortsat anvendelse kan resultere i risiko for overophedning, forbrændinger og endog eksplosion.**
4. **Hvis De har fået elektrolytvæske i øjnene, skal De straks skylle den ud med rent vand og derefter øjeblikkeligt søge lægehjælp.** I modsat fald kan De miste synet.

5. **Vær påpasselig med ikke at komme til at kortslutte akkuen:**
 - (1) **Rør ikke ved terminalerne med noget ledende materiale.**
 - (2) **Undgå at opbevare akkuen i en beholder sammen med andre genstande af metal, for eksempel søm, mønter og lignende.**
 - (3) **Udsæt ikke akkuen for vand eller regn.** Kortslutning af akkuen kan forårsage en kraftig øgning af strømmen, overophedning, mulige forbrændinger og endog værktøjstop.
6. **Opbevar og brug ikke maskinen og akkuen på steder, hvor temperaturen muligvis kan nå eller overstige 50 °C.**
7. **Lad være med at brænde akkuen, selv ikke i tilfælde, hvor den har lidt alvorlig skade eller er fuldstændig udtjent.** Akkuen kan eksplodere, hvis man forsøger at brænde den.
8. **Slå ikke søm i, skær ikke i, knus, kast, tab ikke akkuen og stød ikke akkuen mod en hård genstand.** Sådan adfærd kan muligvis resultere i en brand, overdreven varme eller eksplosion.
9. **Anvend ikke en beskadiget akku.**
10. **De indbyggede litium-ion-batterier er underlagt lovkrav vedrørende farligt gods.** Ved kommerciel transport, f. eks. af tredjeparts transportselskaber, skal særlige krav til forpakning og mærkning overholdes. Ved forberedelse af udstyret til forsendelse skal du kontakte en ekspert i farligt gods. Overhold også eventuel mere detaljeret national lovgivning. Tape eller tildæk åbne kontakter, og pak batteriet på en måde, så det ikke kan flytte sig rundt i pakningen.
11. **Når akkuen bortskaffes, skal du fjerne den fra maskinen og bortskaffe den på et sikkert sted.** Følg de lokale love vedrørende bortskaffelsen af batterier.
12. **Brug kun batterierne med de produkter, som Makita specificerer.** Hvis batterierne installeres i ikke-kompatible produkter, kan det medføre brand, kraftig varme, eksplosion eller udsivning af elektrolyt.
13. **Hvis maskinen ikke skal bruges i længere tid ad gangen, skal du fjerne batteriet fra maskinen.**
14. **Akkuen kan muligvis under og efter brug være varm, hvilket kan forårsage forbrændinger eller lavtemperaturforbrændinger.** Vær påpasselig med håndtering af varme akkuer.
15. **Rør ikke terminalen på maskinen straks efter brug, da den bliver varm nok til at forårsage forbrændinger.**
16. **Sørg for, at spåner, støv eller jord ikke sætter sig fast i akkuens terminaler, huller og riller.** Det kan forårsage opvarmning, antændelse, sprængning og funktionsfejl i maskinen eller akkuen, hvilket kan medføre forbrændinger eller personskade.
17. **Medmindre maskinen understøtter brugen i nærheden af elektriske højspændingsledninger, skal du ikke anvende akkuen i nærheden af elektriske højspændingsledninger.** Det kan muligvis medføre funktionsfejl på eller nedbrud af maskinen eller akkuen.

18. Opbevar batteriet utilgængeligt for børn.

GEM DENNE BRUGSANVISNING.

⚠FORSIGTIG: Brug kun originale batterier fra Makita. Brug af uoriginale Makita-batterier, eller batterier som er blevet ændret, kan muligvis medføre brud på batteriet, hvilket kan forårsage brand, personskade eller beskadigelse. Det ugyldiggør også Makita-garantien for Makita-maskinen og opladeren.

Tips til opnåelse af maksimal akku-levetid

1. Oplad akkuen, inden den er helt afladet. Stop altid værktøjet, og oplad akkuen, hvis De bemærker, at værktøjeffekten er aftagende.
2. Genoplad aldrig en fuldt opladet akku. Overopladning vil afkorte akkuens levetid.
3. Oplad akkuen ved stuetemperatur ved 10 °C - 40 °C. Lad altid en varm akku få tid til at køle af, inden den oplades.
4. Når du ikke anvender akkuen, skal du fjerne den fra maskinen eller opladeren.
5. Oplad akkuen, hvis De ikke skal bruge den i længere tid (mere end seks måneder).

Vigtige sikkerhedsinstruktioner for trådløs enhed

1. Undlad at adskille eller ændre den trådløse enhed.
2. Opbevar den trådløse enhed utilgængeligt for små børn. Søg øjeblikkeligt læge, hvis den sluges ved et uheld.
3. Brug kun den trådløse enhed sammen med maskiner fra Makita.
4. Udsæt ikke den trådløse enhed for regn eller våde omgivelser.
5. Brug ikke den trådløse enhed på steder, hvor temperaturen overskrider 50 °C.
6. Brug ikke den trådløse enhed i nærheden af medicinske instrumenter som f.eks. pacemakere.
7. Brug ikke den trådløse enhed i nærheden af automatiske enheder. Hvis den bruges, kan automatiske enheder udvikle fejlfunktion eller fejl.
8. Undlad at betjene den trådløse enhed på steder med høje temperaturer eller steder, hvor der kan genereres statisk elektricitet eller elektrisk støj.
9. Den trådløse enhed kan frembringe elektromagnetiske felter (EMF), men de er ikke skadelige for brugeren.
10. Den trådløse enhed er et præcisionsinstrument. Undgå at tabe eller slå på den trådløse enhed.
11. Undgå at berøre terminalen på den trådløse enhed med de bare hænder eller metalliske materialer.
12. Tag altid batteriet ud af produktet, når den trådløse enhed monteres på det.

13. Når låget på åbningen åbnes, skal du undgå steder, hvor der kan komme støv eller vand ind i åbningen. Hold altid indgangen til åbningen ren.
14. Indsæt altid den trådløse enhed i den rigtige retning.
15. Undgå at trykke for hårdt på den trådløse aktiveringsknop på den trådløse enhed og/eller at trykke på knappen med en genstand med en skarp kant.
16. Luk altid låget på åbningen under brug.
17. Undlad at fjerne den trådløse enhed fra åbningen, når der er sluttet strøm til maskinen. Hvis du gør dette, kan det medføre funktionsfejl i den trådløse enhed.
18. Undlad at fjerne etiketten på den trådløse enhed.
19. Undlad at sætte nogen etiket på den trådløse enhed.
20. Lad ikke den trådløse enhed ligge på steder, hvor der kan genereres statisk elektricitet eller elektrisk støj.
21. Lad ikke den trådløse enhed ligge på steder, der er udsat for høj varme, for eksempel en bil, der står i solen.
22. Lad ikke den trådløse enhed ligge på et sted med støv eller pulver eller på et sted, hvor der kan udvikles ætsende gas.
23. En pludselig temperaturændring kan forårsage dug på den trådløse enhed. Brug ikke den trådløse enhed, før duggen er tørret helt bort.
24. Ved rengøring af den trådløse enhed skal den aftørres forsigtigt med en tør, blød klud. Brug ikke rensbenzin, fortynder, ledende fedtstof eller lignende.
25. Ved opbevaring af den trådløse enhed skal den opbevares i den medfølgende æske eller i en beholder, der er fri for statisk elektricitet.
26. Indsæt ikke andre enheder end den trådløse enhed fra Makita i åbningen på maskinen.
27. Undlad at bruge maskinen, hvis låget til åbningen er beskadiget. Vand, støv og snavs, der kommer ind i åbningen, kan forårsage fejlfunktion.
28. Undlad at trække og/eller vride låget til åbningen mere end nødvendigt. Sæt låget på igen, hvis det falder af maskinen.
29. Udskift låget til åbningen, hvis det bliver væk eller ødelægges.

GEM DISSE FORSKRIFTER.

BESKRIVELSE AF DELENE

- Fig. 1: 1. Hovedenhed 2. Pulverfilter (HEPA)
3. Dæmper 4. Forfilter 5. Tank

FUNKTIONSBESKRIVELSE

⚠️FORSIGTIG: Sørg altid for, at apparatet er slukket, og at akkuerne er afmonteret, før du justerer eller kontrollerer funktionen på apparatet.

Isætning eller fjernelse af akkuen

⚠️FORSIGTIG: Sluk altid for apparatet, før du monterer eller afmonterer akkuer.

⚠️FORSIGTIG: Hold godt fast i støvsugeren og akkuerne, når du monterer eller afmonterer akkuerne. Hvis du ikke gør det, kan det medføre, at de glider ud af hænderne, hvilket kan medføre beskadigelse af støvsugeren og akkuerne eller personskade.

⚠️FORSIGTIG: Pas på ikke at få fingrene i klemme, når du åbner eller lukker batteridækslet. Hvis du ikke gør dette, kan det medføre personskade.

Støvsugeren har dobbelte batteriåbninger. Med to identiske batterier parallelt kan du forlænge driftstiden i en eller flere anvendelser uden at skulle stoppe for at genoplade batterierne. Støvsugeren fungerer også med et enkelt batteri, så du kan vælge mellem to batterier eller et enkelt batteri, afhængigt af dine behov.

► **Fig.2:** 1. Venstre batteriåbning 2. Højre batteriåbning

Med dobbeltbatterier

Kontinuerlig kørsel med to batterier giver længere driftstid og mere effektiv rengøring. Når det første batteri er ved at være tomt, skifter støvsugeren automatisk en strømkilde, så den fortsætter med at arbejde med det andet batteri.

BEMÆRK: Den venstre batteriåbning (når man har ansigtet mod støvsugerens forside) har forrang frem for den højre batteriåbning. Den højre batteriåbning identificeres kun som en strømkilde, enten når der ikke er monteret noget batteri i den venstre batteriåbning, eller batteriet i den venstre batteriåbning bliver tomt.

BEMÆRK: Du kan afmontere batteriet fra den venstre batteriåbning og genoplade det, efter at støvsugeren har skiftet strømkilde fra den venstre batteriåbning til den højre batteriåbning uden at afbryde driften. For at give prioritet tilbage til den venstre batteriåbning efter montering af et genopladet batteri, skal du genstarte støvsugeren.

Med et enkelt batteri

Der kræves kun ét batteri som strømkilde i enten venstre eller højre batteriåbning. Støvsugeren bestemmer automatisk, hvilken batteriåbning, der er tilgængelig i overensstemmelse med driftsforholdene.

Montering og afmontering

Hvis du vil montere akkuerne, skal du først frigøre låsen og åbne batteridækslet. Indsæt derefter akkuerne.

► **Fig.3:** 1. Lås 2. Batteridæksel

Juster tungen på akkuerne med rillerne i batterihuset, og skub dem på plads. Indsæt dem hele vejen, indtil de låses på plads med et lille klik.

Lås derefter batteridækslet.

► **Fig.4:** 1. Akku 2. Knap

Hvis du vil afmontere akkuerne, skal du skubbe dem ud af batterihuset, mens du trykker på og holder knapperne foran akkuerne nede.

⚠️FORSIGTIG: Sæt altid akkuen helt ind. Hvis dette ikke gøres, kan den falde ud af apparatet ved et uheld og forårsage skade på dig selv eller andre omkring dig.

⚠️FORSIGTIG: Brug ikke magt ved montering af akkuen. Hvis akkuen ikke glider på plads uden problemer, betyder det, at den ikke sættes i på korrekt vis.

BEMÆRK: Når støvsugeren skifter strømkilde fra det første batteri til det andet batteri, kan det kræve en midlertidigt standsning af driften, hvilket kan medføre et mindre tab af sugning. Bemærk, at det ikke er en funktionsfejl, så støvsugeren genopretter og genoptager driften umiddelbart efter pausen.

Indikation af den resterende batteriladning

Tryk på kontrolknappen på akkuen for at få vist den resterende batteriladning. Indikatorlampen lyser i nogle sekunder.

► **Fig.5:** 1. Indikatorlamper 2. Kontrolknap

Indikatorlamper			Resterende ladning
Tændt	Slukket	Blinker	
■ ■ ■ ■			75% til 100%
■ ■ ■ □			50% til 75%
■ ■ □ □			25% til 50%
■ □ □ □			0% til 25%
▣ □ □ □			Genoplad batteriet.
■ ■ □ □			Der er muligvis fejl i batteriet.
□ □ ■ ■			

BEMÆRK: Afhængigt af brugsforholdene og den omgivende temperatur kan indikationen afvige en smule fra den faktiske ladning.






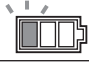
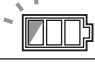
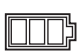
BEMÆRK: Den første indikatorlampe (længst mod venstre) vil blinke, når batteribeskyttelsessystemet aktiveres.

Batteriindikatorer på kontrolpanelet

Den resterende batteriladning kan til enhver tid aflæses på kontrolpanelet. Tryk på kontrolknappen, og den venstre og højre indikator viser batteriets tilsvarende opladningsniveauer.

► **Fig.6:** 1. Batteriindikatorer 2. Kontrolknap

► **Fig.7**

Status på batteriindikator			Resterende batteriladning
 Tændt	 Slukket	 Blinker	
			50% til 100%
			20% til 50%
			0% til 20%
			Genoplad batteriet
			Batteri ikke indsat

BEMÆRK: Batteriindikatorerne aktiveres også, når støvsugeren begynder at fungere eller skifter strømkilde fra det ene til det andet batteri.

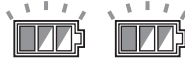
Apparat-/batteribeskyttelsessystem

Apparatet er udstyret med et apparat-/batteribeskyttelsessystem. Dette system afbryder automatisk strømmen til motoren for at forlænge apparatets og batteriets levetid. Apparatet stopper automatisk under anvendelse, hvis apparatet eller batteriet udsættes for et af følgende forhold:


Overbelastningsbeskyttelse

Når apparatet/batteriet betjenes på en måde, der får det til at bruge unormalt meget strøm, stopper apparatet automatisk. I denne situation skal du slukke for apparatet og stoppe den anvendelse, der fik apparatet til at blive overbelastet. Tænd derefter for apparatet for at genstarte det.

Beskyttelse mod overophedning

<input type="checkbox"/> Tændt	<input checked="" type="checkbox"/> Blinker
	

Når apparatet er overophedet, stopper apparatet automatisk, og både venstre og højre batteriindikator blinker. I denne situation skal du lade apparatet køle af, før du tænder for apparatet igen.

<input type="checkbox"/> Tændt	<input checked="" type="checkbox"/> Blinker
	

Når batterierne er overophedet, stopper apparatet automatisk, og en af indikatorerne for overophedet batteri blinker. I denne situation skal du lade batteriet køle af, før du tænder for apparatet igen.

Beskyttelse mod afladning

Når batteriladningen bliver lav, stopper apparatet automatisk. Hvis apparatet ikke kører sammen med kontaktens funktion, skal du afmontere batterierne fra apparatet og genoplade dem.

Beskyttelse mod andre årsager

Beskyttelsessystemet er også designet til andre årsager, der kan beskadige apparatet og gør det muligt for apparatet at stoppe automatisk. Træf alle følgende foranstaltninger for at fjerne årsagerne, når apparatet er blevet midlertidigt standsat eller stoppet i anvendelse.

1. Sluk for apparatet, og tænd det derefter igen for at genstarte.
2. Oplad batteriet/batterierne, eller udskift det/dem med genopladet/genopladede batteri/batterier.
3. Lad apparatet og batteriet/batterierne køle af.

Hvis der ikke kan findes nogen forbedring ved at genoprette beskyttelsessystemet, skal det lokale Makita-servicecenter kontaktes.

Afbryderbetjening

Sådan tændes støvsugeren

1. Drej standby-kontakten i "I" (TIL) eller "AUTO" (TIL)-positionen for at have støvsugeren klar i standbytilstand.
2. Tryk på afbryderknappen. For at skifte tilbage til standbytilstand skal du trykke på afbryderknappen igen.

Sådan slukkes støvsugeren

Udfør et af følgende trin.

- Tryk på afbryderknappen for at sætte støvsugeren tilbage i standbytilstand, og drej derefter standby-kontakten i "O" (FRA)-positionen.
- Drej standby-kontakten i "O" (FRA)-positionen.

Sådan justeres sugestykken

Sugestykken kan justeres afhængigt af dit behov.

- Drej knappen til justering af sugestykke til venstre for at reducere sugestykken.
- Drej knappen til justering af sugestykke til højre for at øge sugestykken.

► **Fig.8:** 1. Standby-kontakt 2. Afbryderknop 3. Knap til justering af sugestykke

Låsning og oplåsning af hjul

Baghjulene kan låses med stopperen for at hjælpe støvsugeren med at stå stille.

Sænk stopperhåndtaget manuelt for at låse hjulet, og hævet det op for at frigøre det.

► **Fig.9:** 1. Hjul 2. Stopperhåndtag 3. FRI position 4. LÅST position

BEMÆRK: Sørg for at hjulet er låst op, når du flytter støvsugeren. Hvis du flytter støvsugeren med hjulet i en låst position, kan det beskadige hjulet.

Bærehåndtag

⚠ FORSIGTIG: Løft og bær apparatet med for-nøden omhu. Hvis du ikke gør det, kan det resultere i personskade eller beskadigelse af apparatet.

Når du bærer støvsugerens, skal du bære den ved at holde i håndtaget på hovedenheden. Håndtaget kan trækkes tilbage på hovedenheden, når det ikke er i brug.
► Fig.10

SAMLING

⚠ FORSIGTIG: Sørg altid for, at apparatet er slukket, og at akkuerne er afmonteret, før du udfører nogen form for arbejde på apparatet.

⚠ FORSIGTIG: Bær altid støvmaske under samling eller vedligeholdelse.

Montering af pulverfilter (HEPA) og forfilter (til tørt støv)

⚠ FORSIGTIG: Opsug aldrig vand eller andre væsker eller vådt støv, når du bruger pulverfilteret. Opsugning af disse kan få pulverfilteret til at gå i stykker.

Sådan bruges pulverfilteret:

1. Anbring forfilteret i tanken, idet du justerer monteringspositionsmærkerne på forfilteret og tanken.
2. Sæt dæmperen i forfilteret, og anbring derefter pulverfilteret over dæmperen, idet du justerer monteringspositionsmærkerne på pulverfilteret og forfilteret.
3. Monter hovedenheden over tanken, og fastgør dem med smækklåsene.
► Fig.11: 1. Hovedenhed 2. Pulverfilter (HEPA)
3. Dæmper 4. Forfilter 5. Tank
6. Monteringspositionsmærke

BEMÆRKNING: Før brug af pulverfilteret skal du sikre dig, at forfilteret og dæmperen altid bruges sammen. Du må ikke nøjes med kun at montere pulverfilteret.

Montering af papirpakke

Ekstraudstyr

⚠ ADVARSEL: Før du bruger en papirpakke, skal du sørge for, at forfilteret bruges sammen. Hvis du ikke bruger forfilteret sammen, kan det medføre usædvanlig støj og varme og forårsage brand.

BEMÆRKNING: Opsug aldrig vand eller andre væsker eller vådt støv, når du bruger en papirpakke. Opsugning af sådanne ting kan medføre, at papirpakken går i stykker.

BEMÆRKNING: Før du bruger en papirpakke, skal du sørge for at pulverfilteret, dæmperen og forfilteret altid bruges sammen.

1. Fold en papirpakke ud.
2. Juster papirpakkens åbning med tankens støvindtag.
3. Monter papirpakken i tanken med papåbningen fastgjort til papirpakkeholderen.
► Fig.12: 1. Papirpakke 2. Papåbning
3. Papirpakkeholder 4. Støvindtag

Montering af polyætylenpose

Med en polyætylenpose monteret i tanken kan du let tømme tanken uden at hænderne bliver snavsede.

Læg en polyætylenpose over tanken, og skub den ene side af posens øverste kant i den åbne ende ind mellem holderpladen og tankens forvæg.

- Fig.13: 1. Holderplade 2. Tankens forvæg
3. Polyætylenpose

For del posens andre øverste kanter udad over tankens øverste kanter. Anbring forfilteret over polyætylenposen for at fastgøre posens åbning forsvarligt.

- Fig.14: 1. Forfilter

BEMÆRK: Der kan bruges en polyætylenpose, som er tilgængelig på markedet. Det anbefales at bruge en, der er 0,04 mm tyk eller tykkere.

BEMÆRK: For meget støv kan nemt få posen til at gå i stykker, så sug ikke mere støv op end halvdelen af posens kapacitet.

Tømning af tank med polyætylenpose

⚠ ADVARSEL: Sørg altid for, at støvsugerens er slukket, og at akkuerne er afmonteret, før tanken tømmes. Hvis dette ikke gøres, kan det medføre elektrisk stød og alvorlig personskade.

BEMÆRKNING: Undlad at slå hårdt imod tanken. Anvendelse af hårde slag kan medføre deformation og beskadigelse af delene.

BEMÆRKNING: Tøm tanken mindst én gang om dagen, selvom dette afhænger af mængden af opsugt støv i tanken. Ellers reduceres sugestyrken, og motoren kan gå i stykker.

BEMÆRKNING: Undlad at tage fat i krogene eller låsene, når tanken tømmes. Hvis du tager fat i krogene eller låsene, kan de gå i stykker.

Løsn smækklåsene, og løft hovedenheden op af tanken. Ryst støvet af forfilteret, før du løfter filteret væk fra tanken.

Tag derefter polyætylenposen ud af tanken, mens du lukker posens åbning manuelt.

- Fig.15: 1. Polyætylenpose 2. Tank

BEMÆRK: Tag polyætylenposen forsigtigt ud af tanken for at undgå, at den bliver ridset og revet af kanterne inde i tanken.

BEMÆRK: Tøm polyætylenposen, før den bliver fuld. For meget støv i tanken kan medføre, at polyætylenposen går i stykker.

Montering af multikrog

Brug multikrogen til at holde en slange, udstyr og tilbehør, der ikke er i brug, på plads, og du kan hurtigt tage dem ud efter behov.

► **Fig.16**

Anbring multikrogen over monteringsbasen bag på støvsugeren, og sæt skinnerne på multikrogen langs rillerne på monteringsbasen.

► **Fig.17:** 1. Multikrog 2. Monteringsbase

Montering af MAKPAC-adapter

Ekstraudstyr

MAKPAC-opbevaringskasser, der kan tilsluttes og stables, kan monteres oven på støvsugeren med en valgfri adapter. Kasserne fås i mange størrelser og stilarter, der passer til dine behov.

Anbring monteringsbasekrogen over støvsugerens håndtag med monteringsoverfladen opad, når håndtaget er foldet ind i den lukkede position.

► **Fig.18:** 1. Monteringsbasekrog
2. Monteringsoverflade 3. Håndtag

Monter MAKPAC-adapteren på monteringsbasekrogen, og fastgør dem sammen med fire medfølgende skruer.

► **Fig.19:** 1. MAKPAC-adapter 2. Monteringsbasekrog
3. Skruer

Løft skubbestangen op, og tilspænd knappen for at forberede monteringen af MAKPAC-kasserne på støvsugeren.

► **Fig.20:** 1. Skubbestang 2. Knap

BEMÆRK: For oplysninger om montering af MAKPAC-kasserne, se instruktionerne, der følger med MAKPAC-adapteren og kasserne.

Montering af slange

BEMÆRKNING: Der må aldrig bruges magt på slangen for at bøje den, og der må aldrig trædes på den. Støvsugeren må aldrig flyttes ved at trække i slangen. Hvis der bruges magt på slangen, hvis der trædes på den eller hvis der trækkes den, kan det forårsage brud eller deformation af slangen.

BEMÆRKNING: Ved opsugning af store stykker affald som f.eks. høvlspåner, betonstø eller lignende andet end små stykker affald skal du bruge en slange med en indvendig diameter på 38 mm (ekstraudstyr). Brug af slangen med indvendig diameter på 28 mm (ekstraudstyr) kan medføre forstoppelse i slangen og beskadigelse.

Tilslutning til støvsuger

Indsæt slangeenden på støvindtaget (slangeindløbet) på støvsugeren, drej den derefter med uret, indtil den låser på plads.

► **Fig.21:** 1. Slange 2. Støvindtag (slangeindløb)

Tilslutning til arbejdsredskaberne (Landespecifik)

Ved at tilslutte støvsugeren til alle tilgængelige arbejdsredskaber, der er kompatible med støvsugeren, fungerer den som en støvsuger til maskinværktøjerne.

Vælg en af de forreste manchetter eller samlinger (ekstraudstyr), der passer bedst til maskinmodellen. Anbring manchetterne eller samlingen efter behov mellem forenden af støvsugerslangen og en støvudtræksport på maskinen.

► **Fig.22:** 1. Forreste manchetter eller samling
2. Støvsugerslange 3. Maskinværktøj
4. Støvsuger

Montering eller afmontering af støvsugertilbehør

⚠FORSIGTIG: Efter du har monteret et tilbehør, skal du kontrollere, om det sidder forsvarligt fast. Hvis tilbehøret er ufuldstændigt monteret, kan det gå løs og forårsage personskade.

Når du bruger tilbehør uden låsefunktion

Ekstraudstyr

Indsæt et tilbehør i støvsugerens sugeåbning ved at skubbe og skrue det på plads med hånden. Drej tilbehøret med hånden, og træk det væk fra sugeåbningen efter brug.

► **Fig.23**

Tilbehør med låsefunktion

Ekstraudstyr

BEMÆRKNING: Når du monterer tilbehøret med låsefunktion, skal du sørge for at justere udløserknappen med krogen på tilbehøret. Hvis de ikke er justeret, vil tilbehøret ikke blive låst og kan løsne sig fra støvsugeren.

Indsæt et tilbehør i støvsugerens sugeåbning ved at skubbe dem sammen med et klik. Hvis du vil afmontere tilbehøret, skal du trække det af, mens du trykker på udløserknappen.

► **Fig.24:** 1. Sugeåbning med låsefunktion
2. Udløserknap 3. Tilbehør med låsefunktion

BEMÆRK: Et tilbehør med låsefunktion kan kun monteres i sugeåbningen med låsefunktion.

► **Fig.25:** 1. Tilbehør med låsefunktion 2. Sugeåbning med låsefunktion 3. Sugeåbning uden låsefunktion

Justering af længderne på forlængerrør af glidetyper

Ekstraudstyr

Et forlængerrør af glidetyper kan kombineres i kortere og længere længder. Det gør det muligt at rengøre områder, der er svære at nå, og foretage komfortable placeringer.

Træk gliderøret ind og ud for at ændre længden på forlængerrøret, mens du trykker på og holder glideknappen nede. Slip glideknappen for at låse gliderøret i den ønskede position.

► **Fig.26:** 1. Gliderør 2. Glideknap

TRÅDLØS AKTIVERINGSFUNKTION

Hvad kan du foretage dig med den trådløse aktiveringsfunktion

Den trådløse aktiveringsfunktion muliggør ren og behagelig anvendelse. Hvis der slutes en understøttet maskine til støvsugeren, kan du lade støvsugeren køre automatisk, når afbryderen på maskinen betjenes.

► Fig.27

BEMÆRKNING: Sørg for at se i brugsanvisningen til maskinen, når du bruger støvsugeren med den trådløse aktiveringsfunktion.

BEMÆRKNING: Undlad at adskille eller ændre den trådløse enhed.

BEMÆRKNING: Luk altid låget forsvarligt under brug eller opbevaring for at forhindre, at der kommer støv ind i åbningen på den trådløse enhed.

BEMÆRKNING: Undlad at fjerne den trådløse enhed, når der er sluttet strøm. Hvis du gør dette, kan det medføre funktionsfejl i den trådløse enhed.

BEMÆRKNING: Undgå at trykke for hårdt på den trådløse aktiveringsknop og/eller at trykke på knappen med en genstand med en skarp kant.

BEMÆRK: Trådløs aktivering kræver Makita-maskiner, der er udstyret med den trådløse enhed.

BEMÆRK: Før den første brug af den trådløse aktiveringsfunktion med hver maskine kræves der maskinregistrering. Når registreringen er fuldført med maskinen, kræves der ikke omregistrering, medmindre den annulleres.

BEMÆRK: Før registreringen skal du kontrollere, at den trådløse enhed er indsat korrekt.

BEMÆRK: En trådløs enhed kan registrere op til 10 forbindelser til andre trådløse enheder. Hvis der er registreret mere end 10 andre trådløse enheder til én trådløs enhed, bliver den enhed, der er registreret tidligst, automatisk annulleret.

BEMÆRK: Placeringen af den trådløse aktiveringsknop varierer afhængigt af maskinen.

BEMÆRK: Støvsugeren startes også ved at trykke på afbryderknappen, når standby-kontakten er indstillet til "AUTO".

Afbryderknappen aktiveres imidlertid ikke, når den trådløse aktiveringsfunktion anvendes.

Montering af en trådløs enhed

⚠FORSIGTIG: Placer støvsugeren på en flad og stabil overflade, når den trådløse enhed monteres.

BEMÆRKNING: Fjern støv og snavs fra støvsugeren, før den trådløse enhed monteres. Støv eller snavs kan forårsage funktionsfejl, hvis det kommer ind i åbningen til den trådløse enhed.

BEMÆRKNING: For at forhindre fejlfunktion forårsaget af statisk elektricitet skal du berøre et statisk afledende materiale som f.eks. en metal-del, før du tager den trådløse enhed op.

BEMÆRKNING: Ved montering af den trådløse enhed skal du altid sikre dig, at den trådløse enhed er indsat i den korrekte retning, og at låget er lukket helt.

1. Åbn låget på støvsugeren som vist på figuren.

► Fig.28: 1. Låg

2. Indsæt den trådløse enhed i åbningen, og luk derefter låget.

Ved indsættelse af den trådløse enhed skal fremspringene justeres i forhold til de forsænkede dele på åbningen.

► Fig.29: 1. Trådløs enhed 2. Fremspring 3. Låg 4. Forsænket del

Ved fjernelse af den trådløse enhed åbnes låget langsomt. Krogene bag på låget løfter den trådløse enhed, når du trækker låget op.

► Fig.30: 1. Trådløs enhed 2. Krog 3. Låg

Når den trådløse enhed er fjernet, skal den opbevares i den medfølgende æske eller i en beholder, der er fri for statisk elektricitet.

BEMÆRKNING: Brug altid krogene bag på låget ved fjernelse af den trådløse enhed. Hvis krogene ikke griber fat i den trådløse enhed, skal du lukke låget helt og åbne det langsomt igen.

Maskinregistrering til støvsugeren

BEMÆRK: Du skal bruge en Makita-maskine, der understøtter den trådløse aktiveringsfunktion, til maskinregistreringen.

BEMÆRK: Afslut monteringen af den trådløse enhed på maskinen, før maskinregistreringen startes.

BEMÆRK: Under maskinregistreringen må du ikke trykke på afbryderknappen på maskinen eller tænde for afbryderknappen på støvsugeren.

BEMÆRK: Se også i brugsanvisningen til maskinen.

Hvis du vil aktivere støvsugeren, når afbryderen på maskinen betjenes, skal du først afslutte maskinregistreringen.

1. Monter de trådløse enheder på henholdsvis støvsugeren og maskinen.

2. Sæt batterierne i støvsugeren og maskinen.

3. Sæt standby-kontakten på støvsugeren til "AUTO".

► **Fig.31:** 1. Standby-kontakt

4. Tryk på den trådløse aktiveringsknap på støvsugeren i 3 sekunder, indtil den trådløse aktiveringslampe blinker grønt. Tryk derefter på den trådløse aktiveringsknap på maskinen på samme måde.

► **Fig.32:** 1. Trådløs aktiveringsknap 2. Trådløs aktiveringslampe

Hvis støvsugeren og maskinen sammenkædes korrekt, lyser de trådløse aktiveringslamper grønt i 2 sekunder og begynder at blinke blåt.

BEMÆRK: De trådløse aktiveringslamper holder op med at blinke grønt efter 20 sekunder. Tryk på den trådløse aktiveringsknap på maskinen, når den trådløse aktiveringslampe på støvsugeren blinker. Hvis den trådløse aktiveringslampe ikke blinker grønt, skal du trykke kortvarigt på den trådløse aktiveringsknap og holde den nede igen.

BEMÆRK: Når der udføres to eller flere maskinregistreringer for støvsugeren, skal maskinregistreringerne fuldføres en for en.

Start af den trådløse aktiveringsfunktion

BEMÆRK: Afslut maskinregistreringen for støvsugeren for trådløs aktivering.

BEMÆRK: Placer altid støvsugeren, så du kan se status for den trådløse aktiveringslampe.

BEMÆRK: Se også i brugsanvisningen til maskinen.

Når en maskine er registreret til støvsugeren, kører støvsugeren automatisk, når afbryderen på maskinen betjenes.

1. Monter de trådløse enheder på henholdsvis støvsugeren og maskinen.

2. Sæt batterierne i støvsugeren og maskinen.

3. Slut støvsugerens slange til maskinen.

► **Fig.33**

4. Sæt standby-kontakten på støvsugeren til "AUTO".

► **Fig.34:** 1. Standby-kontakt

5. Tryk kortvarigt på den trådløse aktiveringsknap på maskinen. Den trådløse aktiveringslampe blinker blåt.

► **Fig.35:** 1. Trådløs aktiveringsknap 2. Trådløs aktiveringslampe

6. Tænd for maskinen. Kontroller, om støvsugeren kører, mens maskinen er i drift.

⚠FORSIGTIG: Kontroller altid, om den trådløse aktiveringsfunktion fungerer, før du påbegynder et stykke arbejde med maskinen.

Tryk på den trådløse aktiveringsknap på maskinen, eller stil standby-kontakten på støvsugeren til "I" eller "O" for at stoppe den trådløse aktivering.

BEMÆRK: Den trådløse aktiveringslampe på maskinen holder op med at blinke blåt, hvis der ikke sker nogen betjening i 2 timer. Indstil i så fald standby-kontakten på støvsugeren til "AUTO", og tryk på den trådløse aktiveringsknap på maskinen igen.

BEMÆRK: Støvsugeren starter/stopper med en forsinkelse. Der er en forsinkelse, når støvsugeren registrerer en betjening af afbryderen på maskinen.

BEMÆRK: Den trådløse enheds transmissionsafstand kan variere afhængigt af placeringen og de omgivende forhold.

BEMÆRK: Når to eller flere maskiner er registreret til en støvsuger, kan støvsugeren begynde at køre, selvom du ikke tænder for maskinen, for en anden bruger anvender den trådløse aktiveringsfunktion.

Annullering af maskinregistrering for støvsugeren

Benyt følgende fremgangsmåde ved annullering af maskinregistreringen for støvsugeren.

1. Monter de trådløse enheder på henholdsvis støvsugeren og maskinen.

2. Sæt batterierne i støvsugeren og maskinen.

3. Sæt standby-kontakten på støvsugeren til "AUTO".

► **Fig.36:** 1. Standby-kontakt

4. Tryk på den trådløse aktiveringsknap på støvsugeren i 6 sekunder. Den trådløse aktiveringslampe blinker grønt og bliver derefter rød. Tryk derefter på den trådløse aktiveringsknap på maskinen på samme måde.

► **Fig.37:** 1. Trådløs aktiveringsknap 2. Trådløs aktiveringslampe

Hvis annulleringen gennemføres korrekt, lyser de trådløse aktiveringslamper rødt i 2 sekunder og begynder at blinke blåt.

BEMÆRK: De trådløse aktiveringslamper holder op med at blinke rødt efter 20 sekunder. Tryk på den trådløse aktiveringsknap på maskinen, når den trådløse aktiveringslampe på støvsugeren blinker. Hvis den trådløse aktiveringslampe ikke blinker rødt, skal du trykke kortvarigt på den trådløse aktiveringsknap og holde den nede igen.

Sletning af alle maskinregistreringer

Du kan slette alle maskinregistreringer fra støvsugeren på følgende måde.

► **Fig.38:** 1. Standby-kontakt 2. Trådløs aktiveringsknap 3. Trådløs aktiveringslampe

1. Monter den trådløse enhed på støvsugeren.

2. Sæt batterierne i støvsugeren.

3. Indstil standby-kontakten til "AUTO".

4. Hold den trådløse aktiveringsknap nede i cirka 6 sekunder, indtil den trådløse aktiveringslampe blinker rødt (cirka to gange i sekundet).

5. Fjern fingeren fra den trådløse aktiveringsknap, når den trådløse aktiveringslampe begynder at blinke rødt. Hold derefter den trådløse aktiveringsknap nede igen i cirka 6 sekunder.











6. Når den trådløse aktiveringslampe begynder at blinke hurtigt (cirka 5 gange i sekundet) rødt, skal du fjerne fingeren fra den trådløse aktiveringsknap. Når den trådløse aktiveringslampe løser rødt og derefter slukkes, er alle maskinregistreringer slettet.

BEMÆRK: Hvis den trådløse aktiveringslampe ikke blinker rødt, skal du trykke kortvarigt på den trådløse aktiveringsknap og prøve igen.

Beskrivelse af den trådløse aktiveringslampes status

► **Fig.39:** 1. Trådløs aktiveringsknap 2. Trådløs aktiveringslampe

Den trådløse aktiveringslampe viser status for den trådløse aktiveringsfunktion. Se i tabellen nedenfor vedrørende betydningen af lampens status.

Status	Trådløs aktiveringslampe			Varighed (cirka)	Beskrivelse
	Farve	 Tændt	 Blinker		
Standby	Blå		Støvsuger: kontinuerligt Maskine: 2 timer	Venter på maskinregistreringen, eller at den trådløse aktiveringsfunktion er tilgængelig. Lampen på støvsugeren blinker, når standby-kontakten er indstillet til "AUTO". Lampen på maskinen blinker, når der trykkes på den trådløse aktiveringsknap. Lampen på maskinen slukkes automatisk, hvis der ikke sker nogen betjening i 2 timer.	
			Når maskinen kører.	Den trådløse aktivering af støvsugeren er tilgængelig, og maskinen kører.	
Maskinregistrering	Grøn		20 sekunder	Klar til maskinregistrering. Søger efter den maskine, der skal registreres.	
			2 sekunder	Maskinregistreringen er fuldført. Den trådløse aktiveringslampe begynder at blinke blå.	
Annullering/sletning af maskinregistrering	Rød	 (langsom: 2 gange/sek.)	20 sekunder	Klar til annullering af maskinregistrering. Søger efter den maskine, der skal annulleres.	
		 (hurtigt: 5 gange/sek.)	Når der trykkes ned på den trådløse aktiveringsknap.	Klar til at slette alle maskinregistreringer.	
			2 sekunder	Maskinregistreringen er annulleret/slettet. Den trådløse aktiveringslampe begynder at blinke blå.	
Andre	Rød		3 sekunder	Der er strøm til den trådløse enhed, og den trådløse aktiveringsfunktion starter.	
	Slukket	-	-	Standby-kontakten er ikke indstillet til "AUTO".	

Fejlfinding i forbindelse med den trådløse aktiveringsfunktion

Udfør selv en inspektion, inden De anmoder om reparation. Hvis De opdager et problem, som ikke er forklaret i brugsanvisningen, må De ikke forsøge at adskille maskinen. Rådfør Dem i stedet med et autoriseret Makita Servicecenter, og brug altid originale Makita udskiftningsdele til reparationer.

Unormal tilstand	Sandsynlig årsag (fejl)	Afhjælpning
Den trådløse aktiveringslampe tændes/blinker ikke.	Den trådløse enhed er ikke monteret på støvsugeren og/eller maskinen. Den trådløse enhed er monteret forkert på støvsugeren og/eller maskinen.	Monter den trådløse enhed korrekt.
	Terminalen på den trådløse enhed og/eller åbningen er snavset.	Aftør forsigtigt støv og snavs på terminalen på den trådløse enhed, og rengør åbningen på støvsugeren og/eller maskinen.
	Der er ikke trykket på den trådløse aktiveringsknap på maskinen.	Tryk kortvarigt på den trådløse aktiveringsknap på maskinen.
	Standby-kontakten på støvsugeren er ikke indstillet til "AUTO".	Sæt standby-kontakten på støvsugeren til "AUTO".
	Ingen strømforsyning	Tilfør strøm til maskinen og støvsugeren.
Kan ikke afslutte maskinregistrering/annullering af maskinregistrering korrekt.	Den trådløse enhed er ikke monteret på støvsugeren og/eller maskinen. Den trådløse enhed er monteret forkert på støvsugeren og/eller maskinen.	Monter den trådløse enhed korrekt.
	Terminalen på den trådløse enhed og/eller åbningen er snavset.	Aftør forsigtigt støv og snavs på terminalen på den trådløse enhed, og rengør åbningen på støvsugeren og/eller maskinen.
	Standby-kontakten på støvsugeren er ikke indstillet til "AUTO".	Sæt standby-kontakten på støvsugeren til "AUTO".
	Ingen strømforsyning	Tilfør strøm til maskinen og støvsugeren.
	Forkert betjening	Tryk kortvarigt på den trådløse aktiveringsknap, og udfør procedurerne for maskinregistrering/annullering igen.
	Maskinen og støvsugeren er ikke i nærheden af hinanden (uden for transmissionsafstand).	Flyt maskinen og støvsugeren tættere på hinanden. Den maksimale transmissionsafstand er cirka 10 m, men kan variere afhængigt af forholdene.
	Før du afslutter registreringen/annulleringen af maskinen; - er afbryderen på maskinen tændt eller; - er tænd/sluk-knappen på støvsugeren tændt.	Tryk kortvarigt på den trådløse aktiveringsknap, og udfør procedurerne for maskinregistrering/annullering igen.
	Maskinregistreringsprocedurerne for maskinen eller støvsugeren er ikke fuldført.	Udfør maskinregistreringsprocedurerne både på maskinen og støvsugeren på samme tid.
	Radiointerferens fra andre apparater, der udsender højintens radiobølger.	Hold maskinen og støvsugeren væk fra apparater som f.eks. Wi-Fi-enheder og mikrobølgeovne.
Støvsugeren kører ikke, når afbryderen på maskinen betjenes.	Den trådløse enhed er ikke monteret på støvsugeren og/eller maskinen. Den trådløse enhed er monteret forkert på støvsugeren og/eller maskinen.	Monter den trådløse enhed korrekt.
	Terminalen på den trådløse enhed og/eller åbningen er snavset.	Aftør forsigtigt støv og snavs på terminalen på den trådløse enhed, og rengør åbningen på støvsugeren og/eller maskinen.
	Der er ikke trykket på den trådløse aktiveringsknap på maskinen.	Tryk kortvarigt på den trådløse aktiveringsknap, og kontroller, at den trådløse aktiveringslampe blinker blåt.
	Standby-kontakten på støvsugeren er ikke indstillet til "AUTO".	Sæt standby-kontakten på støvsugeren til "AUTO".
	Der er registreret mere end 10 maskiner til støvsugeren.	Udfør maskinregistreringen igen. Hvis der er registreret mere end 10 maskiner til støvsugeren, bliver den maskine, der blev registreret tidligst, automatisk annulleret.
	Støvsugeren har slettet alle maskinregistreringer.	Udfør maskinregistreringen igen.
	Ingen strømforsyning	Tilfør strøm til maskinen og støvsugeren.
	Maskinen og støvsugeren er ikke i nærheden af hinanden (uden for transmissionsafstand).	Flyt maskinen og støvsugeren tættere på hinanden. Den maksimale transmissionsafstand er cirka 10 m, men kan variere afhængigt af forholdene.
	Radiointerferens fra andre apparater, der udsender højintens radiobølger.	Hold maskinen og støvsugeren væk fra apparater som f.eks. Wi-Fi-enheder og mikrobølgeovne.
Støvsugeren kører, mens maskinen ikke er i drift.	Andre brugere anvender den trådløse aktivering af støvsugeren med deres maskiner.	Deaktiver den trådløse aktiveringsknap på de andre maskiner, eller annuller maskinregistreringen af de andre maskiner.

Unormal tilstand	Sandsynlig årsag (fejl)	Afhjælpning
Det er ikke muligt at slette alle maskinregistreringer fra støvsugeren.	Der trykkes på den trådløse knap på maskinen.	Tryk på den trådløse knap på støvsugeren for at slette alle maskinregistreringer.
	Standby-kontakten på støvsugeren er ikke indstillet til "AUTO".	Sæt standby-kontakten på støvsugeren til "AUTO".
	Der holdes ikke korrekt ned på den trådløse aktiveringsknap.	Hold den trådløse aktiveringsknap nede i mere end 6 sekunder, og slip den derefter, når den trådløse aktiveringslampe blinker rødt. Hold den trådløse aktiveringsknap nede i cirka 6 sekunder igen, indtil den trådløse aktiveringsknap blinker hurtigt rødt, og slip derefter knappen.

VEDLIGEHOLDELSE

⚠FORSIGTIG: Sørg altid for, at apparatet er slukket, og at akkuerne er afmonteret, før du forsøger at udføre inspektion eller vedligeholdelse.

BEMÆRKNING: Anvend aldrig benzin, rensebenzin, fortynder, alkohol og lignende. Det kan medføre misfarvning, deformation eller revner.

For at opretholde produktets SIKKERHED og PALIDELIGHED må reparation, vedligeholdelse eller justering kun udføres af et autoriseret Makita servicecenter eller fabrikkerservicecenter med anvendelse af Makita reservedele.

Opbevaring af tilbehør

Tilbehør og udstyr, der ikke er i brug, såsom mundstykke og børster, kan fastgøres og opbevares i multikroge bag på støvsugeren.

► **Fig.40:** 1. Multikrog 2. Tilbehør og udstyr, der ikke er i brug

Rør (med en valgfri stopper monteret) kan anbringes i rørholderen, når støvsugeren ikke bruges i kort tid.

► **Fig.41:** 1. Stopper (ekstraudstyr) 2. Rørholder

En slange kan vikles og opbevares omkring støvsugerens hus eller håndtag i store løkker. Tilslut begge ender sammen for at lave løkker, og hæng løkkerne fast i det løftede håndtag. Alternativt kan rodenden holdes monteret i slangeindløbet og hænge løkkerne på multikroge med den løse ende bundet.

► **Fig.42**

► **Fig.43**

Rengøring af pulverfilteret (HEPA) og forfilteret

Rengør pulverfilteret, forfilteret og dæmperen med jævne mellemrum, da tilstoppede filtre og dæmpere kan resultere i dårlig sugeevne.

Tør og ryst støv af filtre og dæmper med hånden med jævne mellemrum.

► **Fig.44:** 1. Forfilter

► **Fig.45:** 1. Dæmper 2. Pulverfilter (HEPA)

Vask af og til pulverfilteret i vand, skyl og tør det grundigt i skyggen før brug. Vask aldrig filtre i en vaskemaskine.

► **Fig.46**

BEMÆRK: Undlad at gnubbe eller ridse pulverfilteret, forfilteret eller dæmperen med hårde genstande som f.eks. en børste og et banketræ.

BEMÆRK: Filtrene slides op i tidens løb. Det anbefales at have reservefiltre liggende.

EKSTRAUDSTYR

⚠FORSIGTIG: Det følgende tilbehør og ekstraudstyr er anbefalet til brug med Deres Makita maskine, der er beskrevet i denne brugsanvisning. Anvendelse af andet tilbehør eller ekstraudstyr kan udgøre en risiko for personskade. Anvend kun tilbehør og ekstraudstyr til det beskrevne formål.

Hvis De behøver hjælp ved valg af tilbehør eller ønsker yderligere informationer, bedes De kontakte Deres lokale Makita servicecenter.

- Slange
- Forreste manchetter (22, 24, 38)
- Lige rør
- Forlængerrør
- Hjørnemundstykke
- Rund børste
- Pulverfilter, HEPA (til tørt støv)
- Dæmper
- Forfilter
- Mundstykkeomterning
- Bøjet rør
- Polyætylenpose
- Papirpakke
- MAKPAC-adapter
- Trådløs enhed
- Original Makita-akku og oplader

BEMÆRK: Nogle ting på denne liste kan være inkluderet i værktøjspakken som standardtilbehør. Det kan være forskellige fra land til land.

ΠΡΟΕΙΔΟΠΟΙΗΣΗ

- Το μηχάνημα αυτό δεν προορίζεται για χρήση από άτομα, συμπεριλαμβανομένων των παιδιών, με μειωμένες σωματικές, αισθητήριες ή διανοητικές ικανότητες, ή από άτομα που δεν έχουν πείρα και γνώσεις.
- Τα παιδιά θα πρέπει να επιτηρούνται για να εξασφαλιστεί ότι δεν παίζουν με τη μηχανή.
- Για την αναφορά του τύπου της μπαταρίας, δείτε το κεφάλαιο «ΠΡΟΔΙΑΓΡΑΦΕΣ».
- Για τον τρόπο αφαίρεσης ή τοποθέτησης της μπαταρίας, δείτε την ενότητα «Τοποθέτηση ή αφαίρεση της κασέτας μπαταριών».
- Όταν απορρίπτετε την κασέτα μπαταριών, αφαιρέστε την από το εργαλείο και διαθέστε την σε ένα ασφαλές μέρος. Τηρήστε τους τοπικούς κανονισμούς που σχετίζονται με τη διάθεση της μπαταρίας.
- Αν δεν χρησιμοποιείτε το εργαλείο για μεγάλο χρονικό διάστημα, πρέπει να βγάλετε την μπαταρία από το εργαλείο.
- Μη βραχυκυκλώνετε την κασέτα μπαταριών.
- Για τις κατάλληλες λεπτομέρειες των προφυλάξεων κατά τη διάρκεια της συντήρησης από τον χρήστη, δείτε το κεφάλαιο «ΣΥΝΤΗΡΗΣΗ».

ΠΡΟΔΙΑΓΡΑΦΕΣ

Μοντέλο:	VC002GL	VC004GL
Τυπικός τύπος φίλτρου	Φίλτρο πούδρας (για ξηρή σκόνη)	
Μέγιστος όγκος αέρα (με BL4040, εύκαμπτος σωλήνας ø38 mm x 2,5 m)	2,7 m ³ /min	
Υποπίεση (με BL4040, εύκαμπτος σωλήνας ø38 mm x 2,5 m)	23 kPa	
Ανακτίσημη χωρητικότητα	8 L	15 L
Διαστάσεις (Μ x Π x Υ)	366 mm x 334 mm x 425 mm	366 mm x 334 mm x 475 mm
Ονομαστική τάση	D.C. 36 V - 40 V max	
Καθαρό βάρος	8,3 - 11,4 kg	8,6 - 11,7 kg
Βαθμός προστασίας	IPX4	

- Λόγω του συνεχιζόμενου προγράμματος έρευνας και ανάπτυξης, οι προδιαγραφές αυτές υπόκεινται σε αλλαγές χωρίς προειδοποίηση.
- Οι προδιαγραφές και η κασέτα μπαταριών μπορεί να διαφέρουν ανάλογα με τη χώρα.
- Το βάρος δεν περιλαμβάνει εξαρτήματα αλλά την(ις) κασέτα(ες) μπαταριών. Το μικρότερο και μεγαλύτερο βάρος των συνδυασμών της συσκευής και της(ων) κασέτας(ών) μπαταριών απεικονίζονται στον πίνακα.
- Για υγρή σκόνη, απαιτούνται ο πλωτήρας και το φίλτρο νερού ή το υφασμάτινο φίλτρο.

Ισχύουσα κασέτα μπαταριών και φορτιστής

Κασέτα μπαταρίας	BL4020 / BL4025 / BL4040* / BL4050F* / BL4080F* * : Συνιστώμενη μπαταρία
Φορτιστής	DC40RA / DC40RB / DC40RC

- Ορισμένες από τις κασέτες και τους φορτιστές μπαταριών που αναγράφονται παραπάνω ίσως να μην είναι διαθέσιμοι, ανάλογα με την τοποθεσία κατοικίας σας.

⚠ ΠΡΟΕΙΔΟΠΟΙΗΣΗ: Να χρησιμοποιείτε μόνο τις κασέτες μπαταριών και τους φορτιστές που παρατίθενται ανωτέρω. Η χρήση οποιασδήποτε άλλης κασέτας μπαταριών ή φορτιστή μπορεί να προκαλέσει τραυματισμό ή/και πυρκαγιά.

Σύμβολα

Παρακάτω παρουσιάζονται τα σύμβολα που μπορούν να χρησιμοποιηθούν για τον εξοπλισμό. Βεβαιωθείτε ότι κατανοείτε τη σημασία τους πριν από τη χρήση.



Διαβάστε το εγχειρίδιο οδηγιών.



Απαιτούνται ιδιαίτερη φροντίδα και προσοχή.



Προειδοποίηση! Η σκούπα μπορεί να περιέχει επικίνδυνη σκόνη.



Να μη στέκεστε ποτέ πάνω στη σκούπα.



Σκόνη τάξης L (ελαφριά). Οι σκούπες αναρρόφησης έχουν τη δυνατότητα να συλλέγουν σκόνη τάξης L. Ακολουθήστε τους κανονισμούς της χώρας σας όσον αφορά τη σκόνη καθώς και την υγεία και ασφάλεια στο χώρο εργασίας.



Μόνο για τις χώρες της ΕΕ
 Λόγω της παρουσίας των επικινδύνων συστατικών μερών στον εξοπλισμό, ο απόβλητος ηλεκτρικός και ηλεκτρονικός εξοπλισμός, οι συσσωρευτές και οι μπαταρίες μπορεί να έχουν αρνητική επίδραση στο περιβάλλον και την ανθρώπινη υγεία. Μην απορρίπτετε τις ηλεκτρικές και ηλεκτρονικές συσκευές ή μπαταρίες μαζί με τα οικιακά απορρίμματα!
 Σύμφωνα με την Ευρωπαϊκή Οδηγία για τον απόβλητο ηλεκτρικό και ηλεκτρονικό εξοπλισμό και για τους συσσωρευτές και μπαταρίες και τους απόβλητους συσσωρευτές και μπαταρίες, καθώς και την προσαρμογή τους στην εθνική νομοθεσία, ο απόβλητος ηλεκτρικός εξοπλισμός, οι μπαταρίες και οι συσσωρευτές θα πρέπει να αποθηκεύονται ξεχωριστά και να παραδίδονται σε ξεχωριστό σημείο συλλογής για δημοτικά απόβλητα, το οποίο λειτουργεί σύμφωνα με τους κανονισμούς για την προστασία του περιβάλλοντος.
 Αυτό υποδεικνύεται από το σύμβολο του διαγραμμένου τροχοφόρου κάδου που βρίσκεται αναρτημένο επάνω στον εξοπλισμό.

Προοριζόμενη χρήση

Η συσκευή προορίζεται για τη συλλογή ξηρής σκόνης. Η συσκευή είναι κατάλληλη για εμπορική χρήση, για παράδειγμα, σε ξενοδοχεία, σχολεία, νοσοκομεία, εργοστάσια, καταστήματα, γραφεία και επιχειρήσεις ενοικίασης.

Θόρυβος

Το τυπικό Α επίπεδο καταμετρημένου θορύβου καθορίζεται σύμφωνα με το EN60335-2-69:

Μοντέλο VC002GL

Στάθμη ηχητικής πίεσης (L_{pA}): 70 dB (A) ή λιγότερο
 Αβεβαιότητα (K): 2,5 dB (A)

Μοντέλο VC004GL

Στάθμη ηχητικής πίεσης (L_{pA}): 70 dB (A) ή λιγότερο
 Αβεβαιότητα (K): 2,5 dB (A)

Η ένταση θορύβου υπό συνθήκες εργασίας μπορεί να υπερβεί τα 80 dB (A).

ΠΑΡΑΤΗΡΗΣΗ: Η δηλωμένη τιμή(ές) εκπομπής θορύβου έχει μετρηθεί σύμφωνα με την πρότυπη μέθοδο δοκιμής και μπορεί να χρησιμοποιηθεί για τη σύγκριση ενός εργαλείου με κάποιο άλλο.

ΠΑΡΑΤΗΡΗΣΗ: Η δηλωμένη τιμή(ές) εκπομπής θορύβου μπορεί να χρησιμοποιηθεί και στην προκαταρκτική αξιολόγηση της έκθεσης.

▲ΠΡΟΕΙΔΟΠΟΙΗΣΗ: Να φοράτε ωτοασπίδες.

▲ΠΡΟΕΙΔΟΠΟΙΗΣΗ: Η εκπομπή θορύβου κατά τη χρήση του ηλεκτρικού εργαλείου σε πραγματικές συνθήκες μπορεί να διαφέρει από τη δηλωμένη τιμή(ές) ανάλογα με τους τρόπους χρήσης του εργαλείου, ιδιαίτερα το είδος του τεμαχίου εργασίας που υπόκειται επεξεργασία.

▲ΠΡΟΕΙΔΟΠΟΙΗΣΗ: Φροντίστε να λάβετε τα κατάλληλα μέτρα προστασίας του χειριστή βάσει ενός υπολογισμού της έκθεσης σε πραγματικές συνθήκες χρήσης (λαμβάνοντας υπόψη όλες τις συνιστώσες του κύκλου λειτουργίας όπως τους χρόνους που το εργαλείο είναι εκτός λειτουργίας και όταν βρίσκεται σε αδρανή λειτουργία πέραν του χρόνου ενεργοποίησης).

Κραδασμός

Η ολική τιμή δόνησης (άθροισμα τρι-αξονικού διανύσματος) καθορίζεται σύμφωνα με το EN60335-2-69:

Μοντέλο VC002GL

Εκπομπή δόνησης ($a_{h,M}$): 2,5 m/s² ή λιγότερο
 Αβεβαιότητα (K): 1,5 m/s²

Μοντέλο VC004GL

Εκπομπή δόνησης ($a_{h,M}$): 2,5 m/s² ή λιγότερο
 Αβεβαιότητα (K): 1,5 m/s²

ΠΑΡΑΤΗΡΗΣΗ: Η δηλωμένη τιμή(ές) συνολικών κραδασμών έχει μετρηθεί σύμφωνα με την πρότυπη μέθοδο δοκιμής και μπορεί να χρησιμοποιηθεί για τη σύγκριση ενός εργαλείου με κάποιο άλλο.

ΠΑΡΑΤΗΡΗΣΗ: Η δηλωμένη τιμή(ές) συνολικών κραδασμών μπορεί να χρησιμοποιηθεί και στην προκαταρκτική αξιολόγηση της έκθεσης.

▲ΠΡΟΕΙΔΟΠΟΙΗΣΗ: Η εκπομπή κραδασμών κατά τη χρήση του ηλεκτρικού εργαλείου σε πραγματικές συνθήκες μπορεί να διαφέρει από τη δηλωμένη τιμή(ές) εκπομπής ανάλογα με τους τρόπους χρήσης του εργαλείου, ιδιαίτερα το είδος του τεμαχίου εργασίας που υπόκειται επεξεργασία.

▲ΠΡΟΕΙΔΟΠΟΙΗΣΗ: Φροντίστε να λάβετε τα κατάλληλα μέτρα προστασίας του χειριστή βάσει ενός υπολογισμού της έκθεσης σε πραγματικές συνθήκες χρήσης (λαμβάνοντας υπόψη όλες τις συνιστώσες του κύκλου λειτουργίας όπως τους χρόνους που το εργαλείο είναι εκτός λειτουργίας και όταν βρίσκεται σε αδρανή λειτουργία πέραν του χρόνου ενεργοποίησης).

Δήλωση συμμόρφωσης ΕΚ

Μόνο για χώρες της Ευρώπης

Η δήλωση συμμόρφωσης ΕΚ περιλαμβάνεται ως Παράρτημα Α στο παρόν εγχειρίδιο οδηγιών.

ΠΡΟΕΙΔΟΠΟΙΗΣΕΙΣ ΑΣΦΑΛΕΙΑΣ

Προειδοποιήσεις ασφάλειας για τη φορητή μηχανή αναρρόφησης

▲ΠΡΟΕΙΔΟΠΟΙΗΣΗ: ΣΗΜΑΝΤΙΚΟ! ΔΙΑΒΑΣΤΕ ΠΡΟΣΕΚΤΙΚΑ όλες τις προειδοποιήσεις για την ασφάλεια και όλες τις οδηγίες ΠΡΙΝ ΑΠΟ ΤΗ ΧΡΗΣΗ. Η μη τήρηση των προειδοποιήσεων και οδηγιών μπορεί να καταλήξει σε ηλεκτροπληξία, τυρκαγιά ή/και σοβαρό τραυματισμό.

1. Πριν από τη χρήση, βεβαιωθείτε ότι αυτή η μηχανή θα χρησιμοποιηθεί από άτομα στα οποία έχουν δοθεί επαρκείς οδηγίες για τη χρήση αυτής της μηχανής.
2. Πριν τη χρήση, στους χειριστές θα δοθούν πληροφορίες, οδηγίες και εκπαίδευση για τη χρήση του μηχανήματος και των ουσιών με τις οποίες θα χρησιμοποιηθεί, συμπεριλαμβανομένης της ασφαλούς μεθόδου αφαίρεσης και διάθεσης του υλικού που συλλέχθηκε.

3. Να βεβαιώνετε πάντα ότι τα φίλτρα έχουν τοποθετηθεί σωστά πριν από τη χρήση. Μη χρησιμοποιείτε τη σκούπα χωρίς τα φίλτρα να βρίσκονται στη θέση τους. Αντικαταστήστε αμέσως ένα φίλτρο που έχει υποστεί ζημιά. Συνιστάται να έχετε μερικά ανταλλακτικά επειδή τα φίλτρα είναι αναλώσιμα αντικείμενα.
4. **ΝΑ ΑΠΟΦΕΥΓΕΤΕ ΤΗΝ ΑΘΕΛΗΤΗ ΕΝΕΡΓΟΠΟΙΗΣΗ.** Βεβαιωθείτε ότι ο διακόπτης είναι ΚΛΕΙΣΤΟΣ όταν τοποθετείτε την(τις) μπαταρία(ες).
5. Μην επιχειρήσετε να συλλέξετε εύφλεκτα υλικά, πυροτεχνήματα, αναμμένα τσιγάρα, καυτές στάχτες, ζεστά μεταλλικά θραύσματα, αιχμηρά αντικείμενα όπως ζυραφάκια, βελόνες, σπασμένο γυαλί ή παρόμοια αντικείμενα.
6. **ΜΗ ΧΡΗΣΙΜΟΠΟΙΕΙΤΕ ΠΟΤΕ ΤΗ ΜΗΧΑΝΗ ΚΟΝΤΑ ΣΕ ΒΕΝΖΙΝΗ, ΑΕΡΙΑ, ΜΠΟΓΙΑ, ΚΟΛΛΕΣ Ή ΑΛΛΕΣ ΥΨΗΛΑ ΕΚΡΗΚΤΙΚΕΣ ΟΥΣΙΕΣ.** Ο διακόπτης παράγει σπινθήρες όταν ενεργοποιείται και απενεργοποιείται. Το ίδιο και ο μετατροπέας μοτέρ κατά τη διάρκεια της λειτουργίας. Μπορεί να προκύψει επικίνδυνη έκρηξη.
7. Μην αναρροφάτε ποτέ τοξικά, καρκινογόνα, καύσιμα ή άλλα επικίνδυνα υλικά, όπως αμίαντο, αρσενικό, βάριο, βηρύλλιο, μόλυβδο, νιτρομοκτόνα ή άλλα υλικά που αποτελούν κίνδυνο για την υγεία.
8. Να τοποθετείτε πάντα τη σκούπα σε οριζόντια επίπεδη επιφάνεια, για να αποφευχθεί η πτώση ή η μετακίνησή της κατά λάθος.
9. Μη χρησιμοποιείτε ποτέ τη μηχανή σε εξωτερικό χώρο στη βροχή.
10. Για τη Φιλανδία, αυτό το μηχάνημα δεν πρέπει να χρησιμοποιηθεί σε εξωτερικούς χώρους σε χαμηλή θερμοκρασία.
11. Μη χρησιμοποιείτε κοντά σε πηγές θερμότητας (φούρνοι, κτλ.).
12. Αν ο αέρας εξαγωγής επιστρέφει στο δωμάτιο, είναι απαραίτητο να φροντίσετε για τον επαρκή ρυθμό αλλαγής του αέρα στο δωμάτιο. Είναι απαραίτητο να ανατρέξετε στους εθνικούς κανονισμούς.
13. Μην φράσσετε τα ανοίγματα εισόδου αναρρόφησης/εξόδου/ψύξης. Αυτά τα ανοίγματα επιτρέπουν την ψύξη του μοτέρ. Θα πρέπει να αποφευχθεί προσεκτικά το φράξιμο, διαφορετικά το μοτέρ θα καεί λόγω έλλειψης αερισμού.
14. Να στέκεστε πάντα σταθερά και ισορροπημένα.
15. Μη διπλώνετε, μην τραβάτε και μην πατάτε τον εύκαμπο σωλήνα.
16. Διακόψτε αμέσως τη λειτουργία της μηχανής αν παρατηρήσετε ανεπαρκή απόδοση ή οτιδήποτε ασυνήθιστο κατά τη λειτουργία.
17. **ΒΓΑΛΤΕ ΤΗΝ(ΤΙΣ) ΜΠΑΤΑΡΙΑ(ΕΣ).** Όταν δεν χρησιμοποιείται, πριν από το σέρβις και όταν αλλάζετε αξεσουάρ.
18. Καθαρίστε και εκτελέστε σέρβις στη μηχανή αμέσως μετά από κάθε χρήση για να διατηρείται σε άριστη λειτουργική κατάσταση.
19. **ΔΙΑΤΗΡΕΙΤΕ ΤΗ ΜΗΧΑΝΗ ΜΕ ΠΡΟΣΟΧΗ.** Να διατηρείτε τη μηχανή καθαρή για την καλύτερη και ασφαλέστερη απόδοση. Να ακολουθείτε τις οδηγίες για την αλλαγή των αξεσουάρ. Να διατηρείτε τις λαβές στεγνές, καθαρές, χωρίς λάδι και γράσο.
20. **ΝΑ ΕΛΕΓΧΕΤΕ ΤΑ ΜΕΡΗ ΜΕ ΖΗΜΙΑ.** Πριν από την περαιτέρω χρήση της μηχανής, θα πρέπει να ελέγχετε προσεκτικά τυχόν προστατευτικά εξαρτήματα ή άλλα εξάρτημα με ζημιά για να καθορίσετε αν θα λειτουργήσουν σωστά και αν θα πραγματοποιήσουν την προοριζόμενη λειτουργία τους. Ελέγξτε την ευθυγράμμιση των κινούμενων μερών, την ελεύθερη κίνηση των κινούμενων μερών, το τυχόν στάσιμο εξαρτημάτων, τη στερέωση και οποιοσδήποτε άλλες συνθήκες που μπορεί να επηρεάσουν τη λειτουργία του εργαλείου. Ένα προστατευτικό ή άλλο εξάρτημα με ζημιά θα πρέπει να επισκευαστεί ή να αντικατασταθεί σωστά σε εξουσιοδοτημένο κέντρο σέρβις εκτός αν δηλώνεται διαφορετικά στο παρόν εγχειρίδιο οδηγιών. Οι ελαττωματικοί διακόπτες πρέπει να αντικαθίστανται σε εξουσιοδοτημένο κέντρο σέρβις. Μη χρησιμοποιείτε τη μηχανή αν ο διακόπτης δεν την ενεργοποιεί και δεν την απενεργοποιεί.
21. Για τις εργασίες σέρβις από τον χρήστη, το μηχάνημα μπορεί να αποσυναρμολογηθεί, να καθαριστεί και να συντηρηθεί, όσο είναι εύλογα πρακτικό, χωρίς να προκληθεί κίνδυνος στο προσωπικό συντήρησης και σε άλλους.
22. Το μηχάνημα θα πρέπει να υπόκειται σε τεχνική επιθεώρηση από τον κατασκευαστή, ή από εντεταλμένο άτομο, τουλάχιστον ετησίως, περιλαμβανόντας, για παράδειγμα, την επιθεώρηση των φίλτρων για ζημιά, την αεροστεγανότητα του μηχανήματος και τη σωστή λειτουργία του μηχανισμού ελέγχου.
23. Όταν διεξαγάγετε εργασίες σέρβις ή επισκευής, όλα τα μολυσμένα στοιχεία που δεν μπορούν να καθαριστούν σε ικανοποιητικό βαθμό πρέπει να διατεθούν. Αυτά τα στοιχεία πρέπει να διατεθούν μέσα σε αδιαπέραστες σακούλες σύμφωνα με οποιονδήποτε ισχύοντα κανονισμό για τη διάθεση τέτοιων αποβλήτων.
24. **ΑΝΤΑΛΛΑΚΤΙΚΑ.** Κατά το σέρβις, να χρησιμοποιείτε μόνο γνήσια ανταλλακτικά.
25. **ΝΑ ΑΠΟΘΗΚΕΥΕΤΕ ΤΗ ΜΗΧΑΝΗ ΟΤΑΝ ΔΕΝ ΤΗ ΧΡΗΣΙΜΟΠΟΙΕΙΤΕ.** Όταν δεν χρησιμοποιείται, η μηχανή θα πρέπει να αποθηκεύεται σε εσωτερικό χώρο.
26. Να προσέχετε τη μηχανή. Ο σκληρός χειρισμός μπορεί να προκαλέσει το σπάσιμο ακόμη και της πιο καλοκατασκευασμένης μηχανής.
27. Μην επιχειρήσετε να καθαρίσετε το εξωτερικό ή το εσωτερικό με βενζίνη, νέφτι ή καθαριστικές χημικές ουσίες. Μπορεί να προκληθούν ρωγμές και αποχρωματισμός.
28. Μη χρησιμοποιείτε τη μηχανή σε κλειστό χώρο στον οποίο απελευθερώνονται εύφλεκτοι, εκρηκτικοί ή τοξικοί ατμοί από μολιβιές με βάση το λάδι, νέφτι, βενζίνη, μερικές ουσίες κατά τη σκουριάς, κτλ., ή σε περιοχές όπου υπάρχει εύφλεκτη σκόνη.
29. Μη χρησιμοποιείτε αυτό το εργαλείο ή οποιοδήποτε άλλο εργαλείο υπό την επήρεια ναρκωτικών ουσιών ή αλκοόλ.

30. Ως βασικός κανόνας ασφάλειας, να χρησιμοποιείτε γυαλιά ασφαλείας ή γυαλιά με πλαινά προστατευτικά.
31. Να χρησιμοποιείτε μάσκα κατά της σκόνης σε συνθήκες με πολλή σκόνη.
32. Το μηχάνημα αυτό δεν προορίζεται για χρήση από άτομα, συμπεριλαμβανομένων των παιδιών, με μειωμένες σωματικές, αισθητήριες ή διανοητικές ικανότητες, ή από άτομα που δεν έχουν πείρα και γνώσεις.
33. Τα παιδιά θα πρέπει να επιτηρούνται για να εξασφαλιστεί ότι δεν παίζουν με τη μηχανή.
34. Μη χειρίζεστε ποτέ την(τις) μπαταρία(ες) και τη σκούπα με βρεγμένα χέρια.
35. Να προσέχετε ιδιαίτερα όταν καθαρίζετε σκαλοπάτια.
36. Μη χρησιμοποιείτε τη μηχανή για σκαμπό ή πάγκο εργασίας. Η μηχανή σκούπα μπορεί να πέσει και να προκαλέσει προσωπικό τραυματισμό.
37. Μην συλλέγετε αφρό ή σαπουνώδες υγρά. Μπορεί να προκαλέσει την έξοδο αφρού από την έξοδο αέρα, έχοντας ως αποτέλεσμα ηλεκτροπληξία και ζημιά στη σκούπα.

Χρήση και φροντίδα μπαταριών

1. Να επαναφορτίζετε τις μπαταρίες μόνο με το φορτιστή που καθορίζεται από τον κατασκευαστή. Ένας φορτιστής που είναι κατάλληλος για μια συγκεκριμένη μπαταρία μπορεί να δημιουργήσει κίνδυνο πυρκαγιάς όταν χρησιμοποιείται με μια άλλη μπαταρία.
2. Να χρησιμοποιείτε ηλεκτρικά εργαλεία μόνο με ειδικά καθορισμένες μπαταρίες. Η χρήση κάθε άλλης μπαταρίας μπορεί να δημιουργήσει κίνδυνο τραυματισμού ή πυρκαγιάς.
3. Όταν δεν χρησιμοποιείται η κασέτα μπαταριών, διατηρήστε τη μακριά από άλλα μεταλλικά αντικείμενα, όπως συνδετήρες, κέρματα, κλειδιά, καρφιά, βίδες ή άλλα μικρά μεταλλικά αντικείμενα, με τα οποία μπορεί να δημιουργηθεί σύνδεση από τον έναν ακροδέκτη στον άλλον. Το βραχυκύκλωμα των ακροδεκτών της μπαταρίας μπορεί να προκαλέσει εγκαύματα ή πυρκαγιά.
4. Υπό συνθήκες κατάχρησης, μπορεί να εξαχθεί υγρό από την μπαταρία. Να αποφεύγετε την επαφή. Εάν συμβεί επαφή κατά λάθος, εκπλύνετε με νερό. Εάν το υγρό έρθει σε επαφή με τα μάτια, αναζητήστε και ιατρική βοήθεια. Το υγρό που εξάγεται από την μπαταρία μπορεί να προκαλέσει ερεθισμό ή εγκαύματα.
5. Μη χρησιμοποιείτε μια κασέτα μπαταριών ή εργαλείο που έχει καταστραφεί ή τροποποιηθεί. Οι κατεστραμμένες ή τροποποιημένες μπαταρίες μπορεί να παρουσιάζουν απρόβλεπτη συμπεριφορά που έχει ως αποτέλεσμα πυρκαγιά, έκρηξη ή κίνδυνο τραυματισμού.
6. Μην εκθέτετε την κασέτα μπαταριών ή το εργαλείο σε πυρκαγιά ή υπερβολικά υψηλή θερμοκρασία. Η έκθεση στην πυρκαγιά ή στη θερμοκρασία άνω των 130 °C μπορεί να προκαλέσει έκρηξη.

7. Ακολουθήστε όλες τις οδηγίες φόρτισης και μην φορτίσετε την κασέτα μπαταριών ή το εργαλείο εκτός του θερμοκρασιακού εύρους που καθορίζεται στις οδηγίες. Η λανθασμένη φόρτιση ή η φόρτιση σε θερμοκρασίες εκτός του καθορισμένου εύρους μπορεί να προκαλέσει ζημιά στην μπαταρία και να αυξήσει τον κίνδυνο πυρκαγιάς.

ΦΥΛΑΞΤΕ ΤΙΣ ΟΔΗΓΙΕΣ ΑΥΤΕΣ.

▲ΠΡΟΕΙΔΟΠΟΙΗΣΗ: ΜΗΝ επιτρέψετε το βαθμό άνεσης ή εξοικείωσης με το προϊόν (λόγω επανειλημμένης χρήσης) να αντικαταστήσει την αυστηρή τήρηση των κανόνων ασφαλείας του παρόντος εργαλείου. Η ΛΑΝΘΑΣΜΕΝΗ ΧΡΗΣΗ ή η αμέλεια να ακολουθήσετε τους κανόνες ασφαλείας που διατυπώνονται στο παρόν εγχειρίδιο οδηγιών μπορεί να προκαλέσει σοβαρό προσωπικό τραυματισμό.

Σημαντικές οδηγίες ασφάλειας για κασέτα μπαταριών

1. Πριν χρησιμοποιήσετε την κασέτα μπαταριών, διαβάστε όλες τις οδηγίες και σημειώσεις προφύλαξης (1) στον φορτιστή μπαταριών, (2) στην μπαταρία και (3) στο προϊόν που χρησιμοποιεί την μπαταρία.
2. Μην αποσυναρμολογήσετε ή παραβιάσετε την κασέτα μπαταριών. Μπορεί να έχει ως αποτέλεσμα πυρκαγιά, υπερθέρμανση ή έκρηξη.
3. Εάν ο χρόνος λειτουργίας έχει γίνει υπερβολικά βραχύς, σταματήστε τη λειτουργία αμέσως. Αλλιώς, μπορεί να έχει ως αποτέλεσμα κίνδυνο υπερθέρμανσης, πιθανά εγκαύματα ή ακόμη και έκρηξη.
4. Εάν ηλεκτρολύτης μπει στα μάτια σας, ξεπλύνετε τα με καθαρό νερό και ζητήστε ιατρική φροντίδα αμέσως. Αλλιώς, μπορεί να έχει ως αποτέλεσμα απώλεια της όρασης σας.
5. Μη βραχυκυκλώνετε την κασέτα μπαταριών:
 - (1) Μην αγγίζετε τους πόλους με οτιδήποτε αγώγιμο υλικό.
 - (2) Αποφεύγετε να αποθηκεύετε την κασέτα μπαταριών μέσα σε ένα δοχείο μαζί με άλλα μεταλλικά αντικείμενα όπως καρφιά, νομίσματα, κλπ.
 - (3) Μην εκθέτετε την κασέτα μπαταριών στο νερό ή στη βροχή.
 Ένα βραχυκύκλωμα μπαταρίας μπορεί να προκαλέσει μεγάλη ροή ρεύματος, υπερθέρμανση, πιθανά εγκαύματα ακόμη και σοβαρή βλάβη.
6. Μην αποθηκεύετε και μην χρησιμοποιείτε το εργαλείο και την κασέτα μπαταριών σε τοποθεσίες όπου η θερμοκρασία μπορεί να φτάσει ή να ξεπεράσει τους 50 °C.
7. Μην καίτε την κασέτα μπαταριών ακόμη και εάν έχει σοβαρή ζημιά ή είναι εντελώς φθαρμένη. Η κασέτα μπαταριών μπορεί να εκραγεί στη φωτιά.
8. Μην καρφώσετε, κόψετε, συνθλίψετε, πετάξετε ή ρίξετε κάτω την κασέτα μπαταριών, ούτε να χτυπήσετε ένα σκληρό αντικείμενο επάνω στην κασέτα μπαταριών. Τέτοια συμπεριφορά μπορεί να έχει ως αποτέλεσμα πυρκαγιά, υπερθέρμανση ή έκρηξη.

9. **Μη χρησιμοποιείτε μπαταρία που έχει υποστεί ζημία.**
10. **Οι μπαταρίες ιόντων λιθίου που περιέχονται υπάκουται στις απαιτήσεις της νομοθεσίας για επικίνδυνα αγαθά.**
Για εμπορικές μεταφορές, για παράδειγμα από τρίτα μέρη, πρέπει να τηρούνται οι διαμεταφορές, οι ειδικές απαιτήσεις στη συσκευασία και η επισήμανση.
Για προετοιμασία του στοιχείου που αποστέλλεται, είναι απαραίτητο να συμβουλευτείτε έναν ειδικό για επικίνδυνα υλικά. Επίσης, τηρήστε τους πιθανούς, πιο αναλυτικούς εθνικούς κανονισμούς. Καλύψτε με αυτοκόλλητη ταινία ή κρύψτε τις ανοικτές επαφές και συσκευάστε την μπαταρία με τρόπο που να μην μπορεί να μετακινείται μέσα στη συσκευασία.
11. **Όταν απορρίπτετε την κασέτα μπαταριών, αφαιρέστε την από το εργαλείο και διαθέστε τη σε ένα ασφαλές μέρος. Τηρήστε τους τοπικούς κανονισμούς που σχετίζονται με τη διάθεση της μπαταρίας.**
12. **Χρησιμοποιήστε τις μπαταρίες μόνο με τα προϊόντα που καθορίζει η Makita.** Αν τοποθετήσετε τις μπαταρίες σε μη συμβατά προϊόντα μπορεί να έχει ως αποτέλεσμα πυρκαγιά, υπερβολική θερμότητα, έκρηξη ή διαρροή ηλεκτρολύτη.
13. **Αν δεν χρησιμοποιείτε το εργαλείο για μεγάλο χρονικό διάστημα, πρέπει να βγάλετε την μπαταρία από το εργαλείο.**
14. **Κατά τη διάρκεια και μετά τη χρήση, η κασέτα μπαταριών μπορεί να θερμανθεί, γεγονός που μπορεί να προκαλέσει εγκαύματα ή εγκαύματα από χαμηλή θερμοκρασία. Προσέχετε το χειρισμό των ζεστών κασετών μπαταριών.**
15. **Μην αγγίζετε τον ακροδέκτη του εργαλείου αμέσως μετά τη χρήση επειδή μπορεί να έχει ζεσταθεί αρκετά για να προκαλέσει εγκαύματα.**
16. **Μην αφήνετε θραύσματα, σκόνη ή βρομιά να κολλήσει στους ακροδέκτες, τις οπές και τις εγχοπές της κασέτας μπαταριών.** Μπορεί να προκαλέσει θέρμανση, φωτιά, έκρηξη και δυσλειτουργία του εργαλείου ή της κασέτας μπαταριών, έχοντας ως αποτέλεσμα εγκαύματα ή προσωπικό τραυματισμό.
17. **Εκτός αν το εργαλείο υποστηρίζει τη χρήση κοντά σε ηλεκτρικές γραμμές υψηλής τάσης, μην χρησιμοποιείτε την κασέτα μπαταριών κοντά σε ηλεκτρικές γραμμές υψηλής τάσης.** Μπορεί να έχει ως αποτέλεσμα δυσλειτουργία ή σπάσιμο του εργαλείου ή της κασέτας μπαταριών.
18. **Κρφυλάξτε την μπαταρία μακριά από παιδιά.**

ΦΥΛΑΞΤΕ ΤΙΣ ΟΔΗΓΙΕΣ ΑΥΤΕΣ.

▲ ΠΡΟΣΟΧΗ: Να χρησιμοποιείτε μόνο γνήσιες μπαταρίες της Makita. Η χρήση μη γνήσιων μπαταριών Makita, ή μπαταριών που έχουν τροποποιηθεί, μπορεί να έχει ως αποτέλεσμα τη ρήξη της μπαταρίας, προκαλώντας πυρκαγιά, προσωπικό τραυματισμό και βλάβη. Επίσης, θα ακυρωθεί η εγγύηση της Makita για το εργαλείο και φορτιστή Makita.

Συμβουλές για τη διατήρηση της μέγιστης ζωής μπαταρίας

1. **Φορτίζετε την κασέτα μπαταριών πριν από την πλήρη αποφόρτισή της. Πάντοτε να σταματάτε τη λειτουργία του εργαλείου και να φορτίζετε τη κασέτα μπαταριών όταν παρατηρείτε μειωμένη ισχύ εργαλείου.**
2. **Ποτέ μην επαναφορτίζετε μια πλήρως φορτισμένη κασέτα μπαταριών. Η υπερφόρτιση μειώνει την ωφέλιμη ζωή της μπαταρίας.**
3. **Να φορτίζετε την κασέτα μπαταριών σε θερμοκρασία δωματίου, δηλαδή στους 10 °C έως 40 °C. Αφήστε μια θερμή κασέτα μπαταριών να κρυώσει πριν την φορτίσετε.**
4. **Όταν δεν χρησιμοποιείτε την κασέτα μπαταριών, αφαιρέστε την από το εργαλείο ή τον φορτιστή.**
5. **Να φορτίζετε την κασέτα μπαταριών εάν δεν τη χρησιμοποιείτε για μεγάλη χρονική περίοδο (περισσότερο από έξι μήνες).**

Σημαντικές οδηγίες ασφάλειας για την ασύρματη μονάδα

1. **Μην αποσυναρμολογείτε ή παραβιάζετε την ασύρματη μονάδα.**
2. **Διατηρείτε την ασύρματη μονάδα μακριά από μικρά παιδιά. Αν καταποθεί κατά λάθος, αναζητήστε αμέσως ιατρική βοήθεια.**
3. **Να χρησιμοποιείτε την ασύρματη μονάδα μόνο με εργαλεία της Makita.**
4. **Μην εκθέτετε την ασύρματη μονάδα στη βροχή ή σε υγρές συνθήκες.**
5. **Μη χρησιμοποιείτε την ασύρματη μονάδα σε μέρη όπου η θερμοκρασία ξεπερνάει τους 50 °C.**
6. **Μη θέτετε την ασύρματη μονάδα σε λειτουργία σε μέρη όπου υπάρχουν ιατρικά όργανα, όπως καρδιακοί βηματοδότες.**
7. **Μη θέτετε την ασύρματη μονάδα σε λειτουργία σε μέρη όπου υπάρχουν αυτοματοποιημένες διατάξεις. Αν τεθούν σε λειτουργία, οι αυτοματοποιημένες συσκευές μπορεί να εμφανίσουν δυσλειτουργία ή σφάλμα.**
8. **Μη θέσετε σε λειτουργία την ασύρματη μονάδα σε μέρη με υψηλή θερμοκρασία ή σε μέρη όπου μπορεί να παραχθεί στατικός ηλεκτρισμός ή ηλεκτρικός θόρυβος.**
9. **Η ασύρματη μονάδα μπορεί να παράγει ηλεκτρομαγνητικά πεδία (ΗΜΠ) αλλά δεν είναι επιβλαβή για τον χρήστη.**
10. **Η ασύρματη μονάδα είναι ένα όργανο ακριβείας. Προσέχετε να μη ρίξετε κάτω ή να χτυπήσετε την ασύρματη μονάδα.**
11. **Αποφύγετε να αγγίζετε τον ακροδέκτη της ασύρματης μονάδας με γυμνά χέρια ή μεταλλικά υλικά.**
12. **Αφαιρέστε πάντοτε την μπαταρία από το προϊόν όταν τοποθετείτε σε αυτό την ασύρματη μονάδα.**
13. **Όταν ανοίγετε το καπάκι της σχισμής, αποφύγετε μέρη όπου μπορεί να εισέλθει σκόνη και νερό μέσα στη σχισμή. Να διατηρείτε πάντα καθαρή την είσοδο της σχισμής.**

14. Να φορτώνετε πάντα την ασύρματη μονάδα με τη σωστή κατεύθυνση.
15. Μην πατήσετε το κουμπί ασύρματης ενεργοποίησης στην ασύρματη μονάδα πολύ δυνατά ή/και μην πατήσετε το κουμπί με ένα αντικείμενο με αιχμηρό άκρο.
16. Κατά τη λειτουργία, να κλείνετε πάντα το καπάκι της σχισμής.
17. Μην αφαιρείτε την ασύρματη μονάδα από τη σχισμή ενώ παρέχεται ισχύς στο εργαλείο. Αν το κάνετε αυτό, μπορεί να προκληθεί δυσλειτουργία της ασύρματης μονάδας.
18. Μην αφαιρείτε το αυτοκόλλητο στην ασύρματη μονάδα.
19. Μην τοποθετείτε αυτοκόλλητα επάνω στην ασύρματη μονάδα.
20. Μην αφήνετε την ασύρματη μονάδα σε ένα μέρος όπου μπορεί να παραχθεί στατικός ηλεκτρισμός ή ηλεκτρικός θόρυβος.
21. Μην αφήνετε την ασύρματη μονάδα σε ένα μέρος που υπόκειται σε υψηλή θερμοκρασία, όπως ένα αυτοκίνητο στον ήλιο.
22. Μην αφήνετε την ασύρματη μονάδα σε ένα μέρος με πολλή σκόνη ή πούδρα ή σε ένα μέρος όπου μπορεί να παραχθεί διαβρωτικό αέριο.
23. Η απότομη αλλαγή της θερμοκρασίας μπορεί να υγραίνει την ασύρματη μονάδα. Μη χρησιμοποιείτε την ασύρματη μονάδα μέχρι να στεγνώσει εντελώς όλη η υγρασία.
24. Όταν καθαρίζετε την ασύρματη μονάδα, σκουπίστε απαλά με ένα στεγνό μαλακό πανί. Μη χρησιμοποιείτε βενζίνη, νέφτι, αγωγίμο γράσο ή παρόμοιες ουσίες.
25. Όταν αποθηκεύετε την ασύρματη μονάδα, να τη διατηρείτε μέσα στην παρεχόμενη θήκη ή μέσα σε δοχείο χωρίς στατικό ηλεκτρισμό.
26. Μην εισαγάγετε καμία συσκευή διαφορετική από την ασύρματη μονάδα Makita μέσα στη σχισμή στο εργαλείο.
27. Μη χρησιμοποιείτε το εργαλείο αν το καπάκι της σχισμής είναι κατεστραμμένο. Αν εισέλθει νερό, σκόνη και βρομιά μέσα στη σχισμή, μπορεί να προκληθεί δυσλειτουργία.
28. Μην τραβάτε ή/και μη συστρέψετε το καπάκι της σχισμής περισσότερο από ό,τι απαιτείται. Τοποθετήστε ξανά το καπάκι αν βγει από το εργαλείο.
29. Αντικαταστήστε ξανά το καπάκι της σχισμής αν χαθεί ή καταστραφεί.

ΦΥΛΑΞΤΕ ΑΥΤΕΣ ΤΙΣ ΟΔΗΓΙΕΣ.

ΠΕΡΙΓΡΑΦΗ ΕΞΑΡΤΗΜΑΤΩΝ

- **Εικ.1:** 1. Μονάδα κεφαλής 2. Φίλτρο πούδρας (HEPA) 3. Αποσβεστήρας 4. Προφίλτρο 5. Δεξαμενή

ΠΕΡΙΓΡΑΦΗ ΛΕΙΤΟΥΡΓΙΑΣ

▲ΠΡΟΣΟΧΗ: Να φροντίζετε πάντα για την απενεργοποίηση της συσκευής και την αφαίρεση των κασετών μπαταριών, πριν από οποιαδήποτε ρύθμιση ή έλεγχο της λειτουργίας της συσκευής.

Τοποθέτηση ή αφαίρεση της κασέτας μπαταριών

▲ΠΡΟΣΟΧΗ: Να απενεργοποιείτε πάντα τη συσκευή πριν τοποθετείτε ή αφαιρέσετε τις κασέτες μπαταριών.

▲ΠΡΟΣΟΧΗ: Κρατήστε τη σκούπα και τις κασέτες μπαταριών σταθερά κατά την τοποθέτηση ή αφαίρεση των κασετών μπαταριών. Αν δεν το κάνετε αυτό, μπορεί να γλιστρήσουν από τα χέρια σας, έχοντας ως αποτέλεσμα ζημιά στη σκούπα και τις κασέτες μπαταριών ή προσωπικό τραυματισμό.

▲ΠΡΟΣΟΧΗ: Προσέχετε να μην πιάσετε τα δάχτυλά σας όταν ανοίγετε ή κλείνετε το κάλυμμα μπαταριών. Αν δεν το κάνετε αυτό, μπορεί να προκληθεί ατομικός τραυματισμός.

Η σκούπα διαθέτει υποδοχές για δύο μπαταρίες. Με δύο όμοιες μπαταρίες συνδεδεμένες παράλληλα, μπορείτε να παρατείνετε τον χρόνο λειτουργίας σε μία ή περισσότερες χρήσεις χωρίς να πρέπει να διακόψετε για να επαναφορτίσετε τις μπαταρίες. Η σκούπα επίσης λειτουργεί με μία μπαταρία, για να μπορείτε να επιλέγετε είτε δύο μπαταρίες είτε μία μπαταρία ανάλογα με τις ανάγκες σας.

► **Εικ.2:** 1. Αριστερή υποδοχή μπαταρίας 2. Δεξιά υποδοχή μπαταρίας

Με δύο μπαταρίες

Η συνεχής λειτουργία με δύο μπαταρίες επιτρέπει μεγαλύτερο χρόνο λειτουργίας και πιο αποδοτικό καθαρισμό. Όταν η πρώτη μπαταρία αρχίζει να αδειάζει, η σκούπα αυτόματα αλλάζει την πηγή τροφοδοσίας, για να συνεχίσει να λειτουργεί με τη δεύτερη μπαταρία.

ΠΑΡΑΤΗΡΗΣΗ: Η αριστερή υποδοχή μπαταρίας (όταν κοιτάτε την πρόσοψη της σκούπας) έχει προτεραιότητα σε σχέση με τη δεξιά υποδοχή μπαταρίας. Η δεξιά υποδοχή μπαταρίας θα αναγνωριστεί ως πηγή τροφοδοσίας μόνο όταν δεν έχει τοποθετηθεί μπαταρία στην αριστερή υποδοχή μπαταρίας ή η μπαταρία στην αριστερή υποδοχή μπαταρίας αδειάζει.

ΠΑΡΑΤΗΡΗΣΗ: Μπορείτε να αφαιρέσετε την μπαταρία από την αριστερή υποδοχή μπαταρίας και να την επαναφορτίσετε αφού η σκούπα έχει αλλάξει την πηγή τροφοδοσίας από την αριστερή υποδοχή μπαταρίας στη δεξιά χωρίς να διακοπεί η λειτουργία. Για να δώσετε προτεραιότητα ξανά στην αριστερή υποδοχή μπαταρίας αφού τοποθετήσετε μια επαναφορτισμένη μπαταρία, επανακινήστε τη σκούπα.

Με μία μπαταρία

Απαιτείται μόνο μία μπαταρία ως πηγή τροφοδοσίας είτε στην αριστερή είτε στη δεξιά υποδοχή μπαταρίας. Η σκούπα καθορίζει αυτόματα την υποδοχή μπαταρίας που είναι διαθέσιμη ανάλογα με τις συνθήκες λειτουργίας.

Τοποθέτηση και αφαίρεση

Για να τοποθετήσετε τις κασέτες μπαταριών, απελευθερώστε πρώτα το κλειδώμα και ανοίξτε το κάλυμμα μπαταριών. Μετά, τοποθετήστε τις κασέτες μπαταριών.

► **Εικ.3:** 1. Κλειδώμα 2. Κάλυμμα μπαταριών

Ευθυγραμμίστε τις γλωττίδες στις κασέτες μπαταριών με τις εγχοπές στο περίβλημα μπαταρίας και σύρετέ τις στη θέση τους. Να τις εισαγάγετε μέχρι τέρμα ώστε να ασφαλιστούν στη θέση τους, γεγονός που υποδεικνύεται με ένα χαρακτηριστικό ήχο.

Στη συνέχεια, ασφαλίστε το κάλυμμα μπαταριών.

► **Εικ.4:** 1. Κασέτα μπαταρίας 2. Κουμπί

Για να αφαιρέσετε τις κασέτες μπαταριών, σύρετέ τις εκτός του περιβλήματος μπαταρίας ενώ πατάτε παρατεταμένα τα κουμπιά μπροστά από τις κασέτες.

⚠ ΠΡΟΣΟΧΗ: Να τοποθετείτε πάντα την κασέτα μπαταριών πλήρως. Σε αντίθετη περίπτωση, μπορεί να πέσει κατά λάθος από τη συσκευή, προκαλώντας τραυματισμό σε εσάς ή κάποιον παρευρισκόμενο.

⚠ ΠΡΟΣΟΧΗ: Μην τοποθετείτε την κασέτα μπαταριών με βία. Εάν η κασέτα δεν ολισθαίνει με ευκολία, τότε δεν έχει τοποθετηθεί κατάλληλα.

ΠΑΡΑΤΗΡΗΣΗ: Όταν η σκούπα αλλάξει την πηγή τροφοδοσίας από την πρώτη μπαταρία στη δεύτερη, μπορεί να απαιτήσει μια προσωρινή διακοπή των εργασιών, προκαλώντας μια μικρή απώλεια της αναρρόφησης. Να γνωρίζετε ότι αυτό δεν είναι δυσλειτουργία, επειδή η σκούπα αποκαθίσταται και συνεχίζει τις εργασίες αμέσως μετά την παύση.

Εμφάνιση υπολειπόμενης χωρητικότητας μπαταρίας

Πιέστε το κουμπί ελέγχου στην κασέτα μπαταριών για να υποδείξετε την υπολειπόμενη χωρητικότητα μπαταρίας. Οι ενδεικτικές λυχνίες ανάβουν για λίγα δευτερόλεπτα.

► **Εικ.5:** 1. Ενδεικτικές λυχνίες 2. Κουμπί ελέγχου

Ενδεικτικές λυχνίες			Υπολειπόμενη χωρητικότητα
Αναμμένες	Σβηστές	Αναβοσβήνουν	
■ ■ ■ ■			75% έως 100%
■ ■ ■ □			50% έως 75%
■ ■ □ □			25% έως 50%
■ □ □ □			0% έως 25%
▣ □ □ □			Φορτίστε την μπαταρία.
■ ■ □ □			Μπορεί να προέκυψε δυσλειτουργία στην μπαταρία.
□ □ ■ ■			

ΠΑΡΑΤΗΡΗΣΗ: Ανάλογα με τις συνθήκες χρήσης και τη θερμοκρασία περιβάλλοντος, η ένδειξη μπορεί να διαφέρει λίγο από την πραγματική χωρητικότητα.

ΠΑΡΑΤΗΡΗΣΗ: Η πρώτη (τέρμα αριστερά) ενδεικτική λυχνία θα αναβοσβήνει όταν λειτουργεί το σύστημα προστασίας μπαταρίας.

Ενδείξεις μπαταριών στον πίνακα ελέγχου

Μπορείτε να διαβάσετε την υπολειπόμενη χωρητικότητα μπαταρίας στον πίνακα ελέγχου ανά πάσα στιγμή.

Πατήστε το κουμπί ελέγχου για να εμφανίσει η αριστερή και δεξιά ένδειξη το επίπεδο φόρτισης μπαταριών αντίστοιχα.

► **Εικ.6:** 1. Ενδείξεις μπαταριών 2. Κουμπί ελέγχου

► **Εικ.7**

Κατάσταση ένδειξης μπαταρίας			Υπολειπόμενη χωρητικότητα μπαταρίας
Αναμμένες	Σβηστές	Αναβοσβήνουν	
			50% έως 100%
			20% έως 50%
			0% έως 20%
			Φορτίστε την μπαταρία
			Δεν έχει εισαχθεί μπαταρία

ΠΑΡΑΤΗΡΗΣΗ: Οι ενδείξεις μπαταριών θα ενεργοποιηθούν και όταν η σκούπα αρχίσει να λειτουργεί ή αλλάξει την πηγή τροφοδοσίας από τη μία μπαταρία στην άλλη.

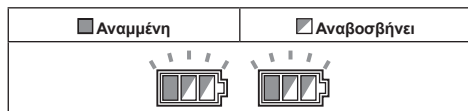
Σύστημα προστασίας της συσκευής / μπαταρίας

Η συσκευή είναι εξοπλισμένη με σύστημα προστασίας της συσκευής/μπαταρίας. Αυτό το σύστημα αποκόπτει αυτόματα την ισχύ προς το μοτέρ για να παραταθεί η διάρκεια λειτουργίας της συσκευής και της μπαταρίας. Η συσκευή σταματάει αυτόματα κατά τη διάρκεια της λειτουργίας αν η συσκευή ή η μπαταρία βρεθούν κάτω από τις παρακάτω συνθήκες:

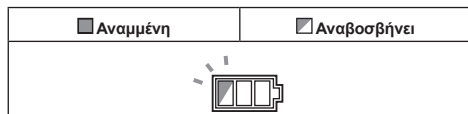
Προστασία υπερφόρτωσης

Όταν η συσκευή/μπαταρία λειτουργεί με τρόπο ώστε να αναγκάζεται να καταναλώνει ασυνήθιστα υψηλό ρεύμα, η συσκευή σταματάει αυτόματα. Σε αυτή την κατάσταση, απενεργοποιήστε τη συσκευή και διακόψτε την εφαρμογή που προκαλεί την υπερφόρτωση. Μετά, ενεργοποιήστε τη συσκευή για επανεκκίνηση.

Προστασία υπερθέρμανσης



Όταν η συσκευή υπερθερμανθεί, η συσκευή σταματάει αυτόματα και η αριστερή και δεξιά ένδειξη μπαταριών αναβοσβήνουν. Σε αυτή την κατάσταση, αφήστε τη συσκευή να ψυχθεί πριν ενεργοποιήσετε ξανά τη συσκευή.



Όταν η μπαταρία υπερθερμανθεί, η συσκευή σταματάει αυτόματα και η μία ένδειξη για την υπερθερμασμένη μπαταρία αναβοσβήνει. Σε αυτή την κατάσταση, αφήστε την μπαταρία να ψυχθεί πριν ενεργοποιήσετε ξανά τη συσκευή.

Προστασία υπερβολικής αποφόρτισης

Όταν μειωθεί πολύ η χωρητικότητα μπαταρίας, η συσκευή σταματάει αυτόματα. Αν η συσκευή δεν λειτουργεί σε συμφωνία με τη λειτουργία του διακόπτη, αφαιρέστε τις μπαταρίες από τη συσκευή και επαναφορτίστε τις.

Προστασία και από άλλες αιτίες

Το σύστημα προστασίας έχει επίσης σχεδιαστεί για άλλες αιτίες που μπορούν να προκαλέσουν ζημιά στη συσκευή και επιτρέπει την αυτόματη διακοπή της συσκευής. Λάβετε όλα τα ακόλουθα βήματα για να διορθώσετε τις αιτίες, όταν η συσκευή τεθεί σε προσωρινή διακοπή ή διακοπή κατά τη διάρκεια της λειτουργίας.

1. Απενεργοποιήστε τη συσκευή και, στη συνέχεια, ενεργοποιήστε την ξανά για να επανεκκίνηση.
2. Φορτίστε την μπαταρία ή τις μπαταρίες ή αντικαταστήστε τις με επαναφορτιζόμενες μπαταρίες.
3. Αφήστε τη συσκευή και τις μπαταρίες να ψυχθούν.

Αν δεν υπάρχει βελτίωση με την επαναφορά του συστήματος προστασίας, επικοινωνήστε με το τοπικό σας κέντρο εξυπηρέτησης της Makita.

Δράση διακόπτη

Ενεργοποίηση σκούπας

1. Θέστε τον διακόπτη αναμονής στη θέση «I» (ON) ή «AUTO» (ON) για να έχετε τη σκούπα έτοιμη σε τρόπο λειτουργίας αναμονής.
2. Πατήστε το κουμπί λειτουργίας. Για μετάβαση ξανά σε κατάσταση αναμονής, πατήστε ξανά το κουμπί λειτουργίας.

Απενεργοποίηση σκούπας

Εκτελέστε ένα από τα ακόλουθα βήματα.

- Πατήστε το κουμπί λειτουργίας για να θέσετε ξανά τη σκούπα στον τρόπο λειτουργίας αναμονής και, στη συνέχεια, θέστε τον διακόπτη αναμονής στη θέση «O» (OFF).
- Θέστε τον διακόπτη αναμονής στη θέση «O» (OFF).

Ρύθμιση ισχύος αναρρόφησης

Η ισχύς αναρρόφησης μπορεί να ρυθμιστεί ανάλογα με την απαιτούμενη εργασία.

- Περιστρέψτε το κουμπί ρύθμισης δύναμης αναρρόφησης προς τα αριστερά για να μειώσετε την ισχύ αναρρόφησης.
- Περιστρέψτε το κουμπί ρύθμισης δύναμης αναρρόφησης προς τα δεξιά για να αυξήσετε την ισχύ αναρρόφησης.

► **Εικ.8:** 1. Διακόπτης αναμονής 2. Κουμπί λειτουργίας 3. Κουμπί ρύθμισης δύναμης αναρρόφησης

Ασφάλιση και απασφάλιση τροχίσκων

Οι πίσω τροχίσκοι μπορούν να ασφαλιστούν με αναστολές για να μπορεί η σκούπα να παραμείνει ακίνητη. Χαμηλώστε τον μοχλό αναστολέα με το χέρι για να ασφαλίσετε τον τροχίσκο και σηκώστε τον για απελευθέρωση.

► **Εικ.9:** 1. Τροχίσκος 2. Μοχλός αναστολέα 3. ΕΛΕΥΘΕΡΗ θέση 4. ΚΛΕΙΔΩΜΕΝΗ θέση

ΠΑΡΑΤΗΡΗΣΗ: Όταν μετακινείτε τη σκούπα, βεβαιωθείτε ότι ο τροχίσκος είναι ξεκλειδωτός. Αν μετακινήσετε τη σκούπα με τον τροχίσκο σε κλειδωμένη θέση, μπορεί να προκληθεί ζημιά στον τροχίσκο.

Λαβή μεταφοράς

▲ΠΡΟΣΟΧΗ: Σηκώστε και μεταφέρετε τη συσκευή με προσοχή. Αν δεν το κάνετε αυτό, μπορεί να έχει ως αποτέλεσμα προσωπικό τραυματισμό ή ζημιά στη συσκευή.

Όταν μεταφέρετε τη σκούπα, να την κρατάτε από τη λαβή στη μονάδα κεφαλής. Η λαβή είναι ανασυρόμενη στη μονάδα κεφαλής όταν δεν χρησιμοποιείται.

► **Εικ.10**

ΣΥΝΑΡΜΟΛΟΓΗΣΗ

▲ΠΡΟΣΟΧΗ: Να βεβαιώνετε πάντα ότι η συσκευή είναι απενεργοποιημένη και οι κασέτες μπαταριών έχουν αφαιρεθεί πριν εκτελέσετε οποιαδήποτε εργασία στη συσκευή.

▲ΠΡΟΣΟΧΗ: Να φοράτε πάντα μάσκα σκόνης κατά τη συναρμολόγηση ή συντήρηση.

Τοποθέτηση του φίλτρου πούδρας (HEPA) και προφίλτρου (για ξηρή σκόνη)

▲ΠΡΟΣΟΧΗ: Μη συλλέγετε ποτέ νερό ή άλλα υγρά ή υγρή σκόνη όταν χρησιμοποιείτε το φίλτρο πούδρας. Η συλλογή τέτοιων υλικών μπορεί να προκαλέσει την καταστροφή του φίλτρου πούδρας.

Για τη χρήση του φίλτρου πούδρας:

1. Τοποθετήστε το προφίλτρο στη δεξαμενή ευθυγραμμίζοντας τις ενδείξεις θέσης στήριξης στο προφίλτρο και τη δεξαμενή.
2. Τοποθετήστε τον αποσβεστήρα στο προφίλτρο και, στη συνέχεια, τοποθετήστε το φίλτρο πούδρας πάνω από τον αποσβεστήρα, ευθυγραμμίζοντας τις ενδείξεις θέσης στήριξης στο φίλτρο πούδρας και το προφίλτρο.
3. Στερεώστε τη μονάδα κεφαλής πάνω από τη δεξαμενή και ασφαλίστε τα με τα μάνδαλα ασφάλισης.
▶ **Εικ.11:** 1. Μονάδα κεφαλής 2. Φίλτρο πούδρας (HEPA) 3. Αποσβεστήρας 4. Προφίλτρο 5. Δεξαμενή 6. Ένδειξη θέσης στήριξης

ΕΙΔΟΠΟΙΗΣΗ: Πριν χρησιμοποιήσετε το φίλτρο πούδρας, βεβαιωθείτε ότι το προφίλτρο και ο αποσβεστήρας χρησιμοποιούνται πάντα μαζί. Δεν επιτρέπεται η τοποθέτηση του φίλτρου πούδρας μόνο του.

Τοποθέτηση του χάρτινου πακέτου

Προαιρετικό εξάρτημα

ΠΡΟΕΙΔΟΠΟΙΗΣΗ: Πριν χρησιμοποιήσετε το χάρτινο πακέτο, βεβαιωθείτε ότι το προφίλτρο χρησιμοποιείται μαζί. Αν δεν χρησιμοποιήσετε μαζί το προφίλτρο, μπορεί να προκληθεί ασυνήθιστος θόρυβος και θερμότητα, έχοντας ως αποτέλεσμα την πυρκαγιά.

ΕΙΔΟΠΟΙΗΣΗ: Μην συλλέγετε ποτέ νερό ή άλλα υγρά ή υγρή σκόνη όταν χρησιμοποιείτε το χάρτινο πακέτο. Η συλλογή τέτοιων υλικών μπορεί να προκαλέσει την καταστροφή του χάρτινου πακέτου.

ΕΙΔΟΠΟΙΗΣΗ: Πριν χρησιμοποιήσετε χάρτινο πακέτο, βεβαιωθείτε ότι το φίλτρο πούδρας, ο αποσβεστήρας και το προφίλτρο χρησιμοποιούνται πάντα μαζί.

1. Ξεδιπλώστε το χάρτινο πακέτο.
2. Ευθυγραμμίστε το άνοιγμα του χάρτινου πακέτου με την είσοδο σκόνης της δεξαμενής.
3. Τοποθετήστε το χάρτινο πακέτο στη δεξαμενή με το άνοιγμα χαρτονιού αγκιστρωμένο στον υποδοχέα χάρτινου πακέτου.
▶ **Εικ.12:** 1. Χάρτινο πακέτο 2. Άνοιγμα χαρτονιού 3. Υποδοχέας χάρτινου πακέτου 4. Είσοδος σκόνης

Τοποθέτηση της πολυαιθυλενικής σακούλας

Όταν μια πολυαιθυλενική σακούλα είναι τοποθετημένη στη δεξαμενή, μπορείτε να αδειάζετε εύκολα τη δεξαμενή χωρίς να βρομίζετε τα χέρια σας.

Απλώστε την πολυαιθυλενική σακούλα πάνω από τη δεξαμενή και σύρετε τη μία πλευρά του άνω άκρου της σακούλας στο ανοικτό άκρο της, μεταξύ της πλάκας υποδοχέα και του μπροστινού τοιχώματος της δεξαμενής.

▶ **Εικ.13:** 1. Πλάκα υποδοχέα 2. Μπροστινό τοίχωμα της δεξαμενής 3. Πολυαιθυλενική σακούλα

Απλώστε τα άλλα άνω άκρα της σακούλας προς τα έξω, πάνω από το άνω χείλος της δεξαμενής. Τοποθετήστε το προφίλτρο πάνω από την πολυαιθυλενική σακούλα για να στερεώσετε το άνοιγμα της σακούλας με ασφάλεια.

▶ **Εικ.14:** 1. Προφίλτρο

ΠΑΡΑΤΗΡΗΣΗ: Μπορεί να χρησιμοποιηθεί πολυαιθυλενική σακούλα που διατίθεται στην αγορά. Συνιστάται ένας με πάχος 0,04 mm ή μεγαλύτερο.

ΠΑΡΑΤΗΡΗΣΗ: Η πολλή σκόνη θα σκίσει τη σακούλα με ευκολία, για το λόγο αυτό μη συλλέξετε περισσότερη σκόνη από τη μισή χωρητικότητα της σακούλας.

Αδειασμα δεξαμενής με πολυαιθυλενική σακούλα

ΠΡΟΕΙΔΟΠΟΙΗΣΗ: Να βεβαιώνετε πάντα ότι η σκούπα είναι απενεργοποιημένη και οι κασέτες μπαταριών έχουν αφαιρεθεί πριν αδειάσετε τη δεξαμενή. Αν δεν το κάνετε αυτό, μπορεί να προκληθεί ηλεκτροπληξία και σοβαρός ατομικός τραυματισμός.

ΕΙΔΟΠΟΙΗΣΗ: Μην ασκείτε μεγάλη δύναμη στη δεξαμενή. Αν ασκήσετε μεγάλη δύναμη, μπορεί να προκληθεί παραμόρφωση και ζημιά στα εξαρτήματα.

ΕΙΔΟΠΟΙΗΣΗ: Να αδειάζετε τη δεξαμενή τουλάχιστον μία φορά την ημέρα, αν και αυτό εξαρτάται από τον όγκο της σκόνης που έχετε συλλέξει στη δεξαμενή. Διαφορετικά, η ισχύς αναρρόφησης θα μειωθεί και το μοτέρ θα σπάσει.

ΕΙΔΟΠΟΙΗΣΗ: Μην αρπάζετε τους γάντζους ή μάνδαλα όταν αδειάζετε τη δεξαμενή. Αν αρπάξετε τα άγκιστρα ή τα μάνδαλα, μπορεί να σπάσουν.

Αποδεσμεύστε τα μάνδαλα ασφάλισης και σηκώστε και αφαιρέστε τη μονάδα κεφαλής από τη δεξαμενή. Κουνηστε το προφίλτρο για να αφαιρέσετε τη σκόνη πριν σηκώσετε και αφαιρέσετε το φίλτρο από τη δεξαμενή.

Στη συνέχεια, αφαιρέστε την πολυαιθυλενική σακούλα από τη δεξαμενή, κλείνοντας το άνοιγμα της σακούλας με το χέρι.

▶ **Εικ.15:** 1. Πολυαιθυλενική σακούλα 2. Δεξαμενή

ΠΑΡΑΤΗΡΗΣΗ: Βγάλτε προσεκτικά την πολυαιθυλενική σακούλα από τη δεξαμενή για να μην γραστουνιστεί και σκιστεί από τα άκρα μέσα στη δεξαμενή.

ΠΑΡΑΤΗΡΗΣΗ: Αδειάστε την πολυαιθυλενική σακούλα πριν γεμίσει. Η πολλή σκόνη στη δεξαμενή μπορεί να προκαλέσει το σκίσιμο της πολυαιθυλενικής σακούλας.

Τοποθέτηση πολλαπλού άγκιστρου

Χρησιμοποιήστε το πολλαπλό άγκιστρο για τη συγκράτηση εύκαμπτου σωλήνα, εξαρτημάτων και προσαρτημάτων που δεν χρησιμοποιούνται, για να μπορείτε να τα βγάξετε γρήγορα ανάλογα με τις προτιμήσεις σας.

▶ **Εικ.16**

Τοποθετήστε το πολλαπλό άγκιστρο πάνω από τη βάση στερέωσης στο πίσω μέρος της σκούπας, ρυθμίζοντας τις ράγες στο πολλαπλό άγκιστρο κατά μήκος των εγκοπών στη βάση στερέωσης.

▶ **Εικ.17:** 1. Πολλαπλό άγκιστρο 2. Βάση στερέωσης

Τοποθέτηση προσαρμογέα ΜΑΚΡΑC

Προαιρετικό εξάρτημα

Στο πάνω μέρος της σκούπας, μπορείτε να τοποθετήσετε θήκες αποθήκευσης ΜΑΚΡΑC με δυνατότητα σύνδεσης και στοιβαξης με τη βοήθεια ενός προαιρετικού προσαρμογέα. Οι θήκες είναι διαθέσιμες σε πολλά μεγέθη και στυλ, για να ταιριάζουν με τις προτιμήσεις σας.

Τοποθετήστε το άγκιστρο βάσης στερέωσης πάνω από τη λαβή της σκούπας με την επιφάνεια στερέωσης στραμμένη προς τα πάνω όταν η λαβή είναι διπλωμένη στην κλειστή θέση.

► **Εικ.18:** 1. Άγκιστρο βάσης στερέωσης 2. Επιφάνεια στερέωσης 3. Λαβή

Στερεώστε τον προσαρμογέα ΜΑΚΡΑC στο άγκιστρο βάσης στερέωσης και ασφαλίστε τα μαζί με τις τέσσερις βίδες που παρέχονται.

► **Εικ.19:** 1. Προσαρμογέας ΜΑΚΡΑC 2. Άγκιστρο βάσης στερέωσης 3. Βίδα

Σηκώστε τη ράβδο ώθησης και σφίξτε το κομβίο για να προετοιμάσετε για την τοποθέτηση των θηκών ΜΑΚΡΑC στη σκούπα.

► **Εικ.20:** 1. Ράβδος ώθησης 2. Κομβίο

ΠΑΡΑΤΗΡΗΣΗ: Για λεπτομέρειες σχετικά με την τοποθέτηση των θηκών ΜΑΚΡΑC, ανατρέξτε στις οδηγίες που παρέχονται με τον προσαρμογέα και τις θήκες ΜΑΚΡΑC.

Τοποθέτηση εύκαμπτου σωλήνα

ΕΙΔΟΠΟΙΗΣΗ: Αποφύγετε την άσκηση καμπτικής ή συνθλιπτικής δύναμης στον εύκαμπτο σωλήνα. Μην μετακινείτε ποτέ τη σκούπα τραβώντας τον εύκαμπτο σωλήνα. Η άσκηση δύναμης, η σύνθλιψη και το τράβηγμα του εύκαμπτου σωλήνα μπορεί να προκαλέσουν σπασίμο ή παραμόρφωση του εύκαμπτου σωλήνα.

ΕΙΔΟΠΟΙΗΣΗ: Όταν συλλέγετε μεγάλα απόβλητα όπως θραύσματα πλάνης, σκόνη τσιμέντου ή παρόμοια υλικά, εκτός από απόβλητα μικρού μεγέθους, να χρησιμοποιείτε τον εύκαμπτο σωλήνα με εσωτερική διάμετρο 38 mm (προαιρετικό εξάρτημα). Η χρήση εύκαμπτου σωλήνα με εσωτερική διάμετρο 28 mm (προαιρετικό εξάρτημα) μπορεί να προκαλέσει το φράξιμο και τη βλάβη του εύκαμπτου σωλήνα.

Σύνδεση με τη σκούπα

Εισαγάγετε το άκρο του εύκαμπτου σωλήνα στην είσοδο σκόνης (είσοδος εύκαμπτου σωλήνα) της σκούπας και, στη συνέχεια, περιστρέψτε το δεξιόστροφα μέχρι να ασφαλιστεί στη θέση του.

► **Εικ.21:** 1. Εύκαμπτος σωλήνας 2. Είσοδος σκόνης (είσοδος εύκαμπτου σωλήνα)

Συνδέσεις με τα εργαλεία εργασίας σας (Ειδικό της χώρας)

Αν συνδέσετε την ηλεκτρική σκούπα σε οποιαδήποτε διαθέσιμα εργαλεία εργασίας που είναι συμβατά με τη σκούπα, αυτή λειτουργεί ως εξαγωγέας σκόνης για τα ηλεκτρικά εργαλεία σας.

Επιλέξτε ένα από τα μπροστινά στόμια ή συνδέσμους (προαιρετικά εξάρτηματα) ως το πιο κατάλληλο για το μοντέλο του εργαλείου σας. Τοποθετήστε τα στόμια ή τον σύνδεσμο, όπως απαιτείται, μεταξύ του μπροστινού άκρου του εύκαμπτου σωλήνα της σκούπας και της θύρας εξαγωγής σκόνης του εργαλείου σας.

► **Εικ.22:** 1. Μπροστινά στόμια ή σύνδεσμος 2. Εύκαμπτος σωλήνας σκούπας 3. Ηλεκτρικό εργαλείο 4. Ηλεκτρική σκούπα

Τοποθέτηση ή αφαίρεση των προσαρτημάτων σκούπας

▲ΠΡΟΣΟΧΗ: Μετά την τοποθέτηση ενός προσαρτήματος, ελέγξτε αν έχει τοποθετηθεί σταθερά. Αν το προσάρτημα δεν τοποθετηθεί καλά, μπορεί να βγει και να προκληθεί τραυματισμός.

Όταν χρησιμοποιείτε προσάρτημα χωρίς λειτουργία ασφάλισης

Προαιρετικό εξάρτημα

Εισαγάγετε ένα προσάρτημα στην είσοδο αναρρόφησης της σκούπας στρώχνοντας και βιδώνοντάς το με το χέρι για να τοποθετηθεί στη θέση του.

Περιστρέψτε με το χέρι και τραβήξτε το προσάρτημα για να χωριστεί από την είσοδο αναρρόφησης μετά από τη χρήση.

► **Εικ.23**

Προσαρτήματα με λειτουργία κλειδώματος

Προαιρετικό εξάρτημα

ΕΙΔΟΠΟΙΗΣΗ: Όταν τοποθετείτε προσάρτημα με λειτουργία ασφάλισης, φροντίστε να ευθυγραμμίσετε το κουμπί απασφάλισης με τον γάντζο στο προσάρτημα. Αν δεν ευθυγραμμιστούν, το προσάρτημα δεν θα ασφαλίσει και μπορεί να βγει από τη σκούπα.

Εισαγάγετε ένα προσάρτημα στην είσοδο αναρρόφησης της σκούπας στρώχνοντας τα μαζί μέχρι να ακουστεί ένας χαρακτηριστικός ήχος ασφάλισης.

Για να αφαιρέσετε το προσάρτημα, τραβήξτε το για να βγει ενώ πατάτε το κουμπί απασφάλισης.

► **Εικ.24:** 1. Είσοδος αναρρόφησης με λειτουργία κλειδώματος 2. Κουμπί απασφάλισης 3. Προσάρτημα με λειτουργία κλειδώματος

ΠΑΡΑΤΗΡΗΣΗ: Ένα προσάρτημα με λειτουργία κλειδώματος μπορεί να τοποθετηθεί μόνο στην είσοδο αναρρόφησης με λειτουργία κλειδώματος.

► **Εικ.25:** 1. Προσάρτημα με λειτουργία κλειδώματος 2. Είσοδος αναρρόφησης με λειτουργία κλειδώματος 3. Είσοδος αναρρόφησης χωρίς λειτουργία κλειδώματος

Ρύθμιση των μηκών της ράβδου προέκτασης τύπου ολίσθησης

Προαιρετικό εξάρτημα

Μπορεί να συνδυαστεί μια ράβδος προέκτασης τύπου ολίσθησης για πιο μικρά και μεγάλα μήκη. Επιτρέπει το καθάρισμα σε δυσπρόσιτες περιοχές και επιλογές για άνετη τοποθέτηση.

Σπρώξτε μέσα και έξω τον σωλήνα ολίσθησης για να αλλάξετε το μήκος της ράβδου ενώ πατάτε παρατεταμένα το κουμπί ολίσθησης.

Αφήστε το κουμπί ολίσθησης για να ασφαλίσετε τον σωλήνα ολίσθησης στην επιθυμητή σας θέση.

► **Εικ.26:** 1. Σωλήνας ολίσθησης 2. Κουμπί ολίσθησης

ΛΕΙΤΟΥΡΓΙΑ ΑΣΥΡΜΑΤΗΣ ΕΝΕΡΓΟΠΟΙΗΣΗΣ

Τι μπορείτε να κάνετε με τη λειτουργία ασύρματης ενεργοποίησης

Η λειτουργία ασύρματης ενεργοποίησης επιτρέπει την καθαρή και άνετη λειτουργία. Αν συνδέσετε ένα υποστηριζόμενο εργαλείο στη σκούπα, μπορείτε να χρησιμοποιείτε τη σκούπα αυτόματα μαζί με τη λειτουργία διακόπτη του εργαλείου.

► **Εικ.27**

ΕΙΔΟΠΟΙΗΣΗ: Βεβαιωθείτε να ανατρέξετε και στο εγχειρίδιο οδηγιών του εργαλείου όταν χρησιμοποιείτε τη σκούπα με τη λειτουργία ασύρματης ενεργοποίησης.

ΕΙΔΟΠΟΙΗΣΗ: Μην αποσυναρμολογείτε ή παραβιάζετε την ασύρματη μονάδα.

ΕΙΔΟΠΟΙΗΣΗ: Για να αποφευχθεί η είσοδος σκόνης στη σχισμή της ασύρματης μονάδας, να κλείνετε πάντα το καπάκι καλά κατά τη λειτουργία και την αποθήκευση.

ΕΙΔΟΠΟΙΗΣΗ: Μην αφαιρείτε την ασύρματη μονάδα ενώ παρέχεται ισχύς. Αν το κάνετε αυτό, μπορεί να προκληθεί δυσλειτουργία της ασύρματης μονάδας.

ΕΙΔΟΠΟΙΗΣΗ: Μην πατήσετε το κουμπί ασύρματης ενεργοποίησης πολύ δυνατά ή/και μην πατήσετε το κουμπί με ένα αντικείμενο με αιχμηρό άκρο.

ΠΑΡΑΤΗΡΗΣΗ: Για την ασύρματη ενεργοποίηση, τα εργαλεία Makita πρέπει να είναι εξοπλισμένα με την ασύρματη μονάδα.

ΠΑΡΑΤΗΡΗΣΗ: Πριν από την αρχική χρήση της λειτουργίας ασύρματης ενεργοποίησης με κάθε εργαλείο, απαιτείται καταχώρηση εργαλείου. Μόλις ολοκληρωθεί η καταχώρηση με το εργαλείο, δεν απαιτείται εκ νέου καταχώρηση εκτός εάν ακυρωθεί.

ΠΑΡΑΤΗΡΗΣΗ: Πριν από την καταχώρηση, βεβαιωθείτε ότι η ασύρματη μονάδα είναι σωστά τοποθετημένη.

ΠΑΡΑΤΗΡΗΣΗ: Μία ασύρματη μονάδα μπορεί να καταχωρήσει μέχρι 10 συνδέσμους με άλλες ασύρματες μονάδες. Αν περισσότερες από 10 άλλες ασύρματες μονάδες καταχωρηθούν με μία ασύρματη μονάδα, αυτή που είχε καταχωρηθεί πιο νωρίς θα ακυρωθεί αυτόματα.

ΠΑΡΑΤΗΡΗΣΗ: Η θέση του κουμπιού ασύρματης ενεργοποίησης διαφέρει ανάλογα με το εργαλείο.

ΠΑΡΑΤΗΡΗΣΗ: Η σκούπα επίσης ξεκινάει αν πατήσετε το κουμπί λειτουργίας όταν ο διακόπτης αναμονής είναι στη θέση «ΑΥΤΟ» (αυτόματα). Ωστόσο, το κουμπί λειτουργίας δεν ενεργοποιείται όταν χρησιμοποιείται η λειτουργία ασύρματης ενεργοποίησης.

Εγκατάσταση της ασύρματης μονάδας

▲ ΠΡΟΣΟΧΗ: Τοποθετήστε τη μηχανή σε μια επίπεδη και σταθερή επιφάνεια όταν εγκαθιστάτε την ασύρματη μονάδα.

ΕΙΔΟΠΟΙΗΣΗ: Καθαρίστε τη σκόνη και τη βρομιά στη μηχανή πριν τοποθετήσετε την ασύρματη μονάδα. Η σκόνη ή η βρομιά μπορεί να προκαλέσει δυσλειτουργία αν έρθει σε επαφή με τη σχισμή της ασύρματης μονάδας.

ΕΙΔΟΠΟΙΗΣΗ: Για να αποτρέψετε τη δυσλειτουργία που προκαλείται από στατικό ηλεκτρισμό, αγγίξτε κάποιο υλικό στατικής εκκένωσης, όπως ένα μεταλλικό εξάρτημα, πριν σηκώσετε την ασύρματη μονάδα.

ΕΙΔΟΠΟΙΗΣΗ: Όταν τοποθετείτε την ασύρματη μονάδα, να βεβαιώνετε πάντα ότι η ασύρματη μονάδα έχει εισαχθεί με τη σωστή κατεύθυνση και το καπάκι είναι εντελώς κλειστό.

1. Ανοίξτε το καπάκι στη μηχανή όπως απεικονίζεται στην εικόνα.

► **Εικ.28:** 1. Καπάκι

2. Εισαγάγετε την ασύρματη μονάδα στη σχισμή και μετά κλείστε το καπάκι.

Όταν εισαγάγετε την ασύρματη μονάδα, ευθυγραμμίστε τις προεξοχές με τα βαθουλωτά τμήματα στη σχισμή.

► **Εικ.29:** 1. Ασύρματη μονάδα 2. Προεξοχή 3. Καπάκι 4. Βαθουλωτό τμήμα

Όταν αφαιρείτε την ασύρματη μονάδα, ανοίξτε το καπάκι αργά. Οι γάντζοι στο πίσω μέρος του καπακιού θα σηκώσουν την ασύρματη μονάδα καθώς τραβάτε το καπάκι προς τα πάνω.

► **Εικ.30:** 1. Ασύρματη μονάδα 2. Γάντζος 3. Καπάκι

Αφού αφαιρέσετε την ασύρματη μονάδα, να τη διατηρείτε μέσα στην παρεχόμενη θήκη ή μέσα σε δοχείο χωρίς στατικό ηλεκτρισμό.

ΕΙΔΟΠΟΙΗΣΗ: Να χρησιμοποιείτε πάντα τους γάντζους στο πίσω μέρος του καπακιού όταν αφαιρείτε την ασύρματη μονάδα. Αν οι γάντζοι δεν ασφαλίσουν την ασύρματη μονάδα, κλείστε εντελώς το καπάκι και ανοίξτε το ξανά αργά.

Καταχώρηση εργαλείου για τη σκούπα

ΠΑΡΑΤΗΡΗΣΗ: Για την καταχώρηση εργαλείου, απαιτείται εργαλείο Makita που υποστηρίζει τη λειτουργία ασύρματης ενεργοποίησης.

ΠΑΡΑΤΗΡΗΣΗ: Ολοκληρώστε την εγκατάσταση της ασύρματης μονάδας στο εργαλείο πριν ξεκινήσετε την καταχώρηση εργαλείου.

ΠΑΡΑΤΗΡΗΣΗ: Κατά την καταχώρηση εργαλείου, μην τραβήξετε τη σκανδάλη διακόπτη στο εργαλείο ούτε να ενεργοποιήσετε το διακόπτη λειτουργίας στη σκούπα.

ΠΑΡΑΤΗΡΗΣΗ: Ανατρέξτε και στο εγχειρίδιο οδηγιών του εργαλείου.

Αν επιθυμείτε να ενεργοποιήσετε τη σκούπα μαζί με τη λειτουργία διακόπτη του εργαλείου, ολοκληρώστε εκ των προτέρων την καταχώρηση εργαλείου.

1. Τοποθετήστε τις ασύρματες μονάδες στη μηχανή και το εργαλείο, αντίστοιχα.
2. Τοποθετήστε τις μπαταρίες στη σκούπα και στο εργαλείο.
3. Θέστε τον διακόπτη αναμονής στη θέση «ΑΥΤΟ» (αυτόματα).
▶ **Εικ.31:** 1. Διακόπτης αναμονής
4. Πατήστε το κουμπί ασύρματης ενεργοποίησης στη σκούπα για 3 δευτερόλεπτα μέχρι η λυχνία ασύρματης ενεργοποίησης να αναβοσβήνει με πράσινο χρώμα. Και μετά πατήστε το κουμπί ασύρματης ενεργοποίησης στο εργαλείο με τον ίδιο τρόπο.
▶ **Εικ.32:** 1. Κουμπί ασύρματης ενεργοποίησης
2. Λυχνία ασύρματης ενεργοποίησης

Αν η σκούπα και το εργαλείο συνδεθούν με επιτυχία, οι λυχνίες ασύρματης ενεργοποίησης θα ανάψουν με πράσινο χρώμα για 2 δευτερόλεπτα και θα αρχίσουν να αναβοσβήνουν με μπλε χρώμα.

ΠΑΡΑΤΗΡΗΣΗ: Οι λυχνίες ασύρματης ενεργοποίησης θα αρχίσουν να αναβοσβήνουν με πράσινο χρώμα αφού περάσουν 20 δευτερόλεπτα. Πατήστε το κουμπί ασύρματης ενεργοποίησης στο εργαλείο ενώ η λυχνία ασύρματης ενεργοποίησης αναβοσβήνει στη σκούπα. Αν η λυχνία ασύρματης ενεργοποίησης δεν αναβοσβήνει με πράσινο χρώμα, πατήστε για λίγο το κουμπί ασύρματης ενεργοποίησης και κρατήστε το ξανά πατημένο.

ΠΑΡΑΤΗΡΗΣΗ: Όταν εκτελείτε δύο ή περισσότερες καταχωρήσεις εργαλείων για τη σκούπα, ολοκληρώστε την καταχώρηση εργαλείου ένα τη φορά.

Έναρξη της λειτουργίας ασύρματης ενεργοποίησης

ΠΑΡΑΤΗΡΗΣΗ: Ολοκληρώστε την καταχώρηση εργαλείου για τη σκούπα για την ασύρματη ενεργοποίηση.

ΠΑΡΑΤΗΡΗΣΗ: Να τοποθετείτε πάντα τη σκούπα με τρόπο ώστε να βλέπετε την κατάσταση της λυχνίας ασύρματης ενεργοποίησης.

ΠΑΡΑΤΗΡΗΣΗ: Ανατρέξτε και στο εγχειρίδιο οδηγιών του εργαλείου.

Αφού καταχωρήσετε ένα εργαλείο με τη σκούπα, η σκούπα θα λειτουργεί αυτόματα μαζί με τη λειτουργία διακόπτη του εργαλείου.

1. Τοποθετήστε τις ασύρματες μονάδες στη μηχανή και το εργαλείο, αντίστοιχα.
2. Τοποθετήστε τις μπαταρίες στη σκούπα και στο εργαλείο.
3. Συνδέστε τον εύκαμπο σωλήνα της σκούπας με το εργαλείο.
▶ **Εικ.33**
4. Θέστε τον διακόπτη αναμονής στη σκούπα στη θέση «ΑΥΤΟ» (αυτόματα).
▶ **Εικ.34:** 1. Διακόπτης αναμονής
5. Πατήστε σύντομα το κουμπί ασύρματης ενεργοποίησης στο εργαλείο. Η λυχνία ασύρματης ενεργοποίησης θα αναβοσβήνει με μπλε χρώμα.
▶ **Εικ.35:** 1. Κουμπί ασύρματης ενεργοποίησης
2. Λυχνία ασύρματης ενεργοποίησης
6. Ενεργοποιήστε το εργαλείο. Ελέγξτε αν η σκούπα λειτουργεί ενώ το εργαλείο λειτουργεί.

ΠΡΟΣΟΧΗ: Να ελέγχετε πάντα αν η λειτουργία ασύρματης ενεργοποίησης λειτουργεί πριν ξεκινήσετε μια εργασία με το εργαλείο.

Για να σταματήσετε την ασύρματη ενεργοποίηση, πατήστε το κουμπί ασύρματης ενεργοποίησης στο εργαλείο ή θέστε το διακόπτη αναμονής στη σκούπα στη θέση «I» ή «O».

ΠΑΡΑΤΗΡΗΣΗ: Η λυχνία ασύρματης ενεργοποίησης στο εργαλείο θα σταματήσει να αναβοσβήνει με μπλε χρώμα όταν δεν υπάρχει λειτουργία για 2 ώρες. Σε αυτή την περίπτωση, θέστε το διακόπτη αναμονής στη σκούπα στη θέση «ΑΥΤΟ» (αυτόματα) και πατήστε ξανά το κουμπί ασύρματης ενεργοποίησης στο εργαλείο.

ΠΑΡΑΤΗΡΗΣΗ: Η σκούπα αρχίζει/σταματάει με καθυστέρηση. Υπάρχει χρονική καθυστέρηση όταν η σκούπα ανανέψει τη λειτουργία διακόπτη του εργαλείου.

ΠΑΡΑΤΗΡΗΣΗ: Η απόσταση μετάδοσης της ασύρματης μονάδας μπορεί να ποικίλλει ανάλογα με την τοποθεσία και τις περιβάλλουσες συνθήκες.

ΠΑΡΑΤΗΡΗΣΗ: Όταν δύο ή περισσότερα εργαλεία καταχωρούνται σε μία σκούπα, η σκούπα μπορεί να αρχίσει να λειτουργεί ακόμη κι αν δεν ενεργοποιείτε το εργαλείο επειδή κάποιος άλλος χρήστης χρησιμοποιεί τη λειτουργία ασύρματης ενεργοποίησης.

Ακύρωση καταχώρησης εργαλείου για τη σκούπα

Εκτελέστε την ακόλουθη διαδικασία όταν ακυρώνετε την καταχώρηση εργαλείου για τη σκούπα.

1. Τοποθετήστε τις ασύρματες μονάδες στη μηχανή και το εργαλείο, αντίστοιχα.
2. Τοποθετήστε τις μπαταρίες στη σκούπα και στο εργαλείο.
3. Θέστε τον διακόπτη αναμονής στη σκούπα στη θέση «ΑΥΤΟ» (αυτόματα).
► **Εικ.36:** 1. Διακόπτης αναμονής
4. Πατήστε το κουμπί ασύρματης ενεργοποίησης στη σκούπα για 6 δευτερόλεπτα. Η λυχνία ασύρματης ενεργοποίησης αναβοσβήνει με πράσινο χρώμα και μετά γίνεται κόκκινη. Μετά από αυτό, πατήστε το κουμπί ασύρματης ενεργοποίησης στο εργαλείο με τον ίδιο τρόπο.
► **Εικ.37:** 1. Κουμπί ασύρματης ενεργοποίησης
2. Λυχνία ασύρματης ενεργοποίησης

Αν η ακύρωση εκτελεστεί με επιτυχία, οι λυχνίες ασύρματης ενεργοποίησης θα ανάψουν με κόκκινο χρώμα για 2 δευτερόλεπτα και θα αρχίσουν να αναβοσβήνουν με μπλε χρώμα.

ΠΑΡΑΤΗΡΗΣΗ: Οι λυχνίες ασύρματης ενεργοποίησης θα αρχίσουν να αναβοσβήνουν με κόκκινο χρώμα αφού περάσουν 20 δευτερόλεπτα. Πατήστε το κουμπί ασύρματης ενεργοποίησης στο εργαλείο ενώ η λυχνία ασύρματης ενεργοποίησης αναβοσβήνει στη σκούπα. Αν η λυχνία ασύρματης ενεργοποίησης δεν αναβοσβήνει με κόκκινο χρώμα, πατήστε για λίγο το κουμπί ασύρματης ενεργοποίησης και κρατήστε το ξανά πατημένο.

Διαγραφή όλων των καταχωρήσεων εργαλείων

Μπορείτε να διαγράψετε όλες τις καταχωρήσεις εργαλείων από τη σκούπα ως εξής.

- **Εικ.38:** 1. Διακόπτης αναμονής 2. Κουμπί ασύρματης ενεργοποίησης 3. Λυχνία ασύρματης ενεργοποίησης
1. Εγκαταστήστε την ασύρματη μονάδα στη μηχανή.
2. Τοποθετήστε τις μπαταρίες στη σκούπα.
3. Θέστε το διακόπτη αναμονής στη θέση «ΑΥΤΟ» (αυτόματα).
4. Κρατήστε πατημένο το κουμπί ασύρματης ενεργοποίησης για περίπου 6 δευτερόλεπτα μέχρι η λυχνία ασύρματης ενεργοποίησης να αναβοσβήνει με κόκκινο χρώμα (περίπου δύο φορές το δευτερόλεπτο).
5. Όταν η λυχνία ασύρματης ενεργοποίησης αρχίζει να αναβοσβήνει με κόκκινο χρώμα, αφήστε το δάχτυλό σας από το κουμπί ασύρματης ενεργοποίησης. Μετά, κρατήστε ξανά πατημένο το κουμπί ασύρματης ενεργοποίησης για περίπου 6 δευτερόλεπτα.

6. Όταν η λυχνία ασύρματης ενεργοποίησης αρχίζει να αναβοσβήνει γρήγορα (περίπου 5 φορές το δευτερόλεπτο) με κόκκινο χρώμα, αφήστε το δάχτυλό σας από το κουμπί ασύρματης ενεργοποίησης. Όταν η λυχνία ασύρματης ενεργοποίησης ανάβει με κόκκινο χρώμα και αργότερα σβήνει, διαγράφονται όλες οι καταχωρήσεις εργαλείων.

ΠΑΡΑΤΗΡΗΣΗ: Αν η λυχνία ασύρματης ενεργοποίησης δεν αναβοσβήνει με κόκκινο χρώμα, πατήστε για λίγο το κουμπί ασύρματης ενεργοποίησης και δοκιμάστε ξανά.

Περιγραφή της κατάστασης της λυχνίας ασύρματης ενεργοποίησης

- **Εικ.39:** 1. Κουμπί ασύρματης ενεργοποίησης
2. Λυχνία ασύρματης ενεργοποίησης

Η λυχνία ασύρματης ενεργοποίησης δείχνει την κατάσταση της λειτουργίας ασύρματης ενεργοποίησης. Ανατρέξτε στον παρακάτω πίνακα για τη σημασία της κατάστασης λυχνίας.

Κατάσταση	Λυχνία ασύρματης ενεργοποίησης			Περιγραφή
	Χρώμα	<input type="checkbox"/> Αναμμένη	<input type="checkbox"/> Αναβο-σβήνει	
Αναμονή	Μπλε	<input checked="" type="checkbox"/>	Σκούπα: συνεχόμενα Εργαλείο: 2 ώρες	Η αναμονή για την καταχώρηση εργαλείου ή για τη λειτουργία ασύρματης ενεργοποίησης είναι διαθέσιμη. Η λυχνία στη σκούπα αναβοσβήνει όταν ο διακόπτης αναμονής είναι στη θέση AUTO. Η λυχνία στο εργαλείο αναβοσβήνει όταν πατηθεί το κουμπί ασύρματης ενεργοποίησης. Η λυχνία στο εργαλείο θα σβήσει αυτόματα όταν δεν εκτελεστεί καμία λειτουργία για 2 ώρες.
		<input type="checkbox"/>	Όταν το εργαλείο λειτουργεί.	Η ασύρματη ενεργοποίηση της σκούπας είναι διαθέσιμη και το εργαλείο λειτουργεί.
Καταχώρηση εργαλείου	Πράσινη	<input checked="" type="checkbox"/>	20 δευτερόλεπτα	Έτοιμο για καταχώρηση εργαλείου. Γίνεται αναζήτηση του εργαλείου για καταχώρηση.
		<input type="checkbox"/>	2 δευτερόλεπτα	Η καταχώρηση εργαλείου έχει ολοκληρωθεί. Η λυχνία ασύρματης ενεργοποίησης θα αρχίσει να αναβοσβήνει με μπλε χρώμα.
Ακύρωση/ διαγραφή της καταχώρησης εργαλείου	Κόκκινη	<input checked="" type="checkbox"/> (αργά: 2 φορές/ δευτερόλεπτο)	20 δευτερόλεπτα	Έτοιμο για ακύρωση της καταχώρησης εργαλείου. Γίνεται αναζήτηση του εργαλείου για ακύρωση.
		<input checked="" type="checkbox"/> (γρήγορα: 5 φορές/ δευτερόλεπτο)	Όταν το κουμπί ασύρματης ενεργοποίησης είναι πατημένο.	Σε ετοιμότητα για διαγραφή όλων των καταχωρήσεων εργαλείων.
		<input type="checkbox"/>	2 δευτερόλεπτα	Η καταχώρηση εργαλείου έχει ακυρωθεί/διαγραφεί. Η λυχνία ασύρματης ενεργοποίησης θα αρχίσει να αναβοσβήνει με μπλε χρώμα.
Άλλες	Κόκκινη	<input type="checkbox"/>	3 δευτερόλεπτα	Η ισχύς παρέχεται στην ασύρματη μονάδα και η λειτουργία ασύρματης ενεργοποίησης εκκινείται.
	Σβηστή	-	-	Ο διακόπτης αναμονής δεν είναι στη θέση «AUTO» (αυτόματα).

Αντιμετώπιση προβλημάτων για τη λειτουργία ασύρματης ενεργοποίησης

Πριν ζητήσετε επισκευές, εκτελέστε αρχικά τη δική σας επιθεώρηση. Αν εντοπίσετε πρόβλημα που δεν επεξηγείται στο εγχειρίδιο, μην επιχειρήσετε να αποσυναρμολογήσετε το εργαλείο. Αντ' αυτού, ζητήστε βοήθεια από εξουσιοδοτημένα κέντρα εξυπηρέτησης της Makita και πάντοτε να χρησιμοποιείτε γνήσια ανταλλακτικά της Makita.

Κατάσταση προβλήματος	Πιθανή αιτία (δυσλειτουργία)	Αποκατάσταση
Η λυχνία ασύρματης ενεργοποίησης δεν ανάβει/αναβοσβήνει.	Η ασύρματη μονάδα δεν είναι εγκατεστημένη στη μηχανή ή/και στο εργαλείο. Η ασύρματη μονάδα είναι εγκατεστημένη στη μηχανή ή/και στο εργαλείο λανθασμένα.	Τοποθετήστε σωστά την ασύρματη μονάδα.
	Ο ακροδέκτης της ασύρματης μονάδας ή/και η σχισμή είναι βρόμικα.	Σκουπίστε απαλά τη σκόνη και τη βρομιά στον ακροδέκτη της ασύρματης μονάδας και καθαρίστε τη σχισμή της μηχανής ή/και του εργαλείου.
	Το κουμπί ασύρματης ενεργοποίησης στο εργαλείο δεν έχει πατηθεί.	Πατήστε σύντομα το κουμπί ασύρματης ενεργοποίησης στο εργαλείο.
	Ο διακόπτης αναμονής στη σκούπα δεν είναι στη θέση «ΑΥΤΟ» (αυτόματα).	Θέστε τον διακόπτη αναμονής στη σκούπα στη θέση «ΑΥΤΟ» (αυτόματα).
	Δεν υπάρχει παροχή ρεύματος	Παρέχετε ισχύ στο εργαλείο και τη σκούπα.
Δεν είναι δυνατή η ολοκλήρωση της καταχώρησης εργαλείου / ακύρωσης καταχώρησης εργαλείου με επιτυχία.	Η ασύρματη μονάδα δεν είναι εγκατεστημένη στη μηχανή ή/και στο εργαλείο. Η ασύρματη μονάδα είναι εγκατεστημένη στη μηχανή ή/και στο εργαλείο λανθασμένα.	Τοποθετήστε σωστά την ασύρματη μονάδα.
	Ο ακροδέκτης της ασύρματης μονάδας ή/και η σχισμή είναι βρόμικα.	Σκουπίστε απαλά τη σκόνη και τη βρομιά στον ακροδέκτη της ασύρματης μονάδας και καθαρίστε τη σχισμή της μηχανής ή/και του εργαλείου.
	Ο διακόπτης αναμονής στη σκούπα δεν είναι στη θέση «ΑΥΤΟ» (αυτόματα).	Θέστε τον διακόπτη αναμονής στη σκούπα στη θέση «ΑΥΤΟ» (αυτόματα).
	Δεν υπάρχει παροχή ρεύματος	Παρέχετε ισχύ στο εργαλείο και τη σκούπα.
	Λανθασμένη λειτουργία	Πατήστε σύντομα το κουμπί ασύρματης ενεργοποίησης και πραγματοποιήστε ξανά τις διαδικασίες καταχώρησης/ακύρωσης εργαλείου.
	Το εργαλείο και η σκούπα βρίσκονται σε αρκετή απόσταση μεταξύ τους (εκτός του εύρους μετάδοσης).	Φέρετε το εργαλείο και τη σκούπα πιο κοντά. Η μέγιστη απόσταση μετάδοσης είναι περίπου 10 μέτρα, ωστόσο, μπορεί να διαφέρει ανάλογα με τις συνθήκες.
	Πριν τελειώσετε την καταχώρηση/ακύρωση του εργαλείου, - ο διακόπτης του εργαλείου είναι τραβηγμένος, ή - το κουμπί λειτουργίας στη σκούπα είναι ενεργοποιημένο.	Πατήστε σύντομα το κουμπί ασύρματης ενεργοποίησης και πραγματοποιήστε ξανά τις διαδικασίες καταχώρησης/ακύρωσης εργαλείου.
	Δεν έχουν ολοκληρωθεί οι διαδικασίες καταχώρησης εργαλείου για το εργαλείο ή τη σκούπα.	Εκτελέστε τις διαδικασίες καταχώρησης εργαλείου για το εργαλείο και τη σκούπα ταυτόχρονα.
	Ραδιοφωνικά παράσιτα από άλλες συσκευές που παράγουν ραδιοκύματα υψηλής έντασης.	Διατηρήστε το εργαλείο και τη σκούπα μακριά από τις συσκευές, όπως συσκευές Wi-Fi και φούρνους μικροκυμάτων.

Κατάσταση προβλήματος	Πιθανή αιτία (δυσλειτουργία)	Αποκατάσταση
Η σκούπα δεν λειτουργεί μαζί με τη λειτουργία διακόπτη του εργαλείου.	Η ασύρματη μονάδα δεν είναι εγκατεστημένη στη μηχανή ή/και στο εργαλείο. Η ασύρματη μονάδα είναι εγκατεστημένη στη μηχανή ή/και στο εργαλείο λανθασμένα.	Τοποθετήστε σωστά την ασύρματη μονάδα.
	Ο ακροδέκτης της ασύρματης μονάδας ή/και η σχισμή είναι βρόμικα.	Σκουπίστε απαλά τη σκόνη και τη βρομιά στον ακροδέκτη της ασύρματης μονάδας και καθαρίστε τη σχισμή της μηχανής ή/και του εργαλείου.
	Το κουμπί ασύρματης ενεργοποίησης στο εργαλείο δεν έχει πατηθεί.	Πατήστε για λίγο το κουμπί ασύρματης ενεργοποίησης και βεβαιωθείτε ότι η λυχνία ασύρματης ενεργοποίησης αναβοσβήνει με μπλε χρώμα.
	Ο διακόπτης αναμονής στη σκούπα δεν είναι στη θέση «AUTO» (αυτόματα).	Θέστε τον διακόπτη αναμονής στη σκούπα στη θέση «AUTO» (αυτόματα).
	Περισσότερα από 10 εργαλεία έχουν καταχωρηθεί με τη σκούπα.	Πραγματοποιήστε ξανά την καταχώρηση εργαλείου. Αν περισσότερα από 10 εργαλεία είναι καταχωρημένα στη σκούπα, το εργαλείο που είχε καταχωρηθεί πιο νωρίς θα ακυρωθεί αυτόματα.
	Η σκούπα έσβησε όλες τις καταχωρήσεις εργαλείων.	Πραγματοποιήστε ξανά την καταχώρηση εργαλείου.
	Δεν υπάρχει παροχή ρεύματος	Παρέχετε ισχύ στο εργαλείο και τη σκούπα.
	Το εργαλείο και η σκούπα βρίσκονται σε αρκετή απόσταση μεταξύ τους (εκτός του εύρους μετάδοσης).	Φέρετε το εργαλείο και τη σκούπα πιο κοντά. Η μέγιστη απόσταση μετάδοσης είναι περίπου 10 μέτρα, ωστόσο, μπορεί να διαφέρει ανάλογα με τις συνθήκες.
	Ραδιοφωνικά παράσιτα από άλλες συσκευές που παράγουν ραδιοκύματα υψηλής έντασης.	Διατηρήστε το εργαλείο και τη σκούπα μακριά από τις συσκευές, όπως συσκευές Wi-Fi και φούρνους μικροκυμάτων.
Η σκούπα λειτουργεί ενώ το εργαλείο δεν λειτουργεί.	Άλλοι χρήστες χρησιμοποιούν την ασύρματη ενεργοποίηση της σκούπας με τα εργαλεία τους.	Κλείστε το κουμπί ασύρματης ενεργοποίησης των άλλων εργαλείων ή ακυρώστε την καταχώρηση εργαλείου των άλλων εργαλείων.
Δεν μπορείτε να διαγράψετε όλες τις καταχωρήσεις εργαλείων από τη σκούπα.	Πατάτε το κουμπί ασύρματης λειτουργίας στο εργαλείο.	Πατήστε το κουμπί ασύρματης λειτουργίας στη σκούπα για διαγραφή όλων των καταχωρήσεων εργαλείων.
	Ο διακόπτης αναμονής στη σκούπα δεν είναι στη θέση «AUTO» (αυτόματα).	Θέστε τον διακόπτη αναμονής στη σκούπα στη θέση «AUTO» (αυτόματα).
	Το κουμπί ασύρματης ενεργοποίησης δεν είναι πατημένο σωστά.	Κρατήστε πατημένο το κουμπί ασύρματης ενεργοποίησης για περισσότερα από 6 δευτερόλεπτα και μετά αφήστε το όταν η λυχνία ασύρματης ενεργοποίησης αναβοσβήνει με κόκκινο χρώμα. Κρατήστε ξανά πατημένο το κουμπί ασύρματης ενεργοποίησης για περισσότερα από 6 δευτερόλεπτα μέχρι το κουμπί ασύρματης ενεργοποίησης να αναβοσβήνει γρήγορα με κόκκινο χρώμα και μετά αφήστε το κουμπί.

ΣΥΝΤΗΡΗΣΗ

▲ ΠΡΟΣΟΧΗ: Πάντα να βεβαιώνεστε ότι η συσκευή είναι απενεργοποιημένη και οι κασέτες μπαταριών έχουν αφαιρεθεί πριν επιχειρήσετε να εκτελέσετε εργασίες επιθεώρησης ή συντήρησης.

ΕΙΔΟΠΟΙΗΣΗ: Μην χρησιμοποιείτε ποτέ βενζίνη, πετρελαϊκό αιθέρα, διαλυτικό, αλκοόλη ή παρόμοιες ουσίες. Μπορεί να προκληθεί αποχρωματισμός, παραμόρφωση ή ρωγμές.

Για τη διατήρηση της ΑΣΦΑΛΕΙΑΣ και ΑΞΙΟΠΙΣΤΙΑΣ του προϊόντος, οι επισκευές και οποιαδήποτε άλλη εργασία συντήρησης ή ρύθμισης πρέπει να εκτελούνται από εξουσιοδοτημένα ή εργοστασιακά κέντρα εξυπηρέτησης της Makita, χρησιμοποιώντας πάντοτε ανταλλακτικά της Makita.

Αποθήκευση των εξαρτημάτων

Τα εξαρτήματα και προσαρτήματα που δεν χρησιμοποιούνται, όπως τα ακροφύσια και οι βούρτσες, μπορούν να αγκιστρωθούν και να αποθηκευτούν στο πολλαπλό άγκιστρο στο πίσω μέρος της σκούπας.

► **Εικ.40:** 1. Πολλαπλό άγκιστρο 2. Εξαρτήματα και προσαρτήματα που δεν χρησιμοποιούνται

Οι σωλήνες (με τοποθετημένο τον προαιρετικό αναστολέα) μπορούν να τοποθετηθούν μέσα στον υποδοχέα σωλήνα όταν δεν πρόκειται να χρησιμοποιήσετε τη σκούπα για σύντομο χρονικό διάστημα.

► **Εικ.41:** 1. Αναστολέας (προαιρετικό εξάρτημα)
2. Υποδοχέας σωλήνα

Ένας εύκαμπτος σωλήνας μπορεί να τυλιχτεί και να αποθηκευτεί γύρω από το περίβλημα ή τη λαβή της σκούπας σε μεγάλους βρόχους. Συνδέστε τα δύο άκρα του μαζί για να δημιουργήσετε βρόχους και αγκιστρώστε τους βρόχους στην ανυψωμένη λαβή. Εναλλακτικά, διατηρήστε το βασικό άκρο τοποθετημένο στην είσοδο εύκαμπτου σωλήνα και κρεμάστε τους βρόχους στο πολλαπλό άγκιστρο με το ελεύθερο άκρο δεμένο.

► **Εικ.42**

► **Εικ.43**

Καθάρισμα του φίλτρου πούδρας (HEPA) και προφίλτρου

Καθαρίστε το φίλτρο πούδρας, το προφίλτρο και τον αποσβεστήρα σε τακτά χρονικά διαστήματα επειδή τα φραγμένα φίλτρα και ο αποσβεστήρας μπορεί να έχουν ως αποτέλεσμα κακή απόδοση αναρρόφησης.

Τακτικά σκουπίστε και κουνήστε τα φίλτρα και τον αποσβεστήρα με το χέρι για να απομακρύνετε τη σκόνη.

► **Εικ.44:** 1. Προφίλτρο

► **Εικ.45:** 1. Αποσβεστήρας 2. Φίλτρο πούδρας (HEPA)

Να πλένετε περιστασιακά το φίλτρο πούδρας σε νερό, να το ξεπλένετε και να το στεγνώνετε πολύ καλά υπό σκιά, πριν από τη χρήση. Μην πλένετε ποτέ φίλτρα στο πλυντήριο.

► **Εικ.46**

ΠΑΡΑΤΗΡΗΣΗ: Μην τρίβετε ή γρατζουνάτε το φίλτρο πούδρας, το προφίλτρο ή τον αποσβεστήρα με σκληρά αντικείμενα όπως βούρτσα ή σπάτουλα.

ΠΑΡΑΤΗΡΗΣΗ: Τα φίλτρα φθείρονται με το πέρασμα του χρόνου. Συνιστάται να έχετε ανταλλακτικά.

ΠΡΟΑΙΡΕΤΙΚΑ ΕΞΑΡΤΗΜΑΤΑ

▲ ΠΡΟΣΟΧΗ: Αυτά τα εξαρτήματα ή προσαρτήματα συνιστώνται για χρήση με το εργαλείο Makita που περιγράφτηκε στις οδηγίες αυτές. Η χρήση οποιωνδήποτε άλλων εξαρτημάτων ή προσαρτημάτων μπορεί να προκαλέσει κίνδυνο τραυματισμού σε άτομα. Να χρησιμοποιείτε τα εξαρτήματα ή προσαρτήματα μόνο για την χρήση που προορίζονται.

Εάν χρειάζεστε οποιαδήποτε βοήθεια για περισσότερες πληροφορίες σε σχέση με αυτά τα εξαρτήματα, απαντήστε στο τοπικό σας κέντρο εξυπηρέτησης Makita.

- Εύκαμπτος σωλήνας
- Μπροστινά στόμια (22, 24, 38)
- Ευθύς σωλήνας
- Ράβδος προέκτασης
- Ακροφύσιο γωνιών
- Στρογγυλή βούρτσα
- Φίλτρο πούδρας, HEPA (για ξηρή σκόνη)
- Αποσβεστήρας
- Προφίλτρο
- Διάταξη ακροφυσίου
- Λυγισμένος σωλήνας
- Πολυαιθυλενική σακούλα
- Χάρτινο πακέτο
- Προσαρμογέας ΜΑΚΡΑC
- Ασύρματη μονάδα
- Γνήσια μπαταρία και φορτιστής της Makita

ΠΑΡΑΤΗΡΗΣΗ: Μερικά στοιχεία στη λίστα μπορεί να συμπεριλαμβάνονται στη συσκευασία εργαλείου ως στάνταρ εξαρτήματα. Μπορεί να διαφέρουν ανάλογα με τη χώρα.

TÜRKÇE (Orijinal talimatlar)

UYARI

- Bu makine fiziksel, duyuusal ya da zihinsel yetenekleri kısıtlı olan veya deneyim ya da bilgileri olmayan kişiler ve çocuklar tarafından kullanıma uygun değildir.
- Süpürge ile oynamadıklarından emin olmak için çocuklar kontrol altında bulundurulmalıdır.
- Bataryanın tip referansı için "TEKNİK ÖZELLİKLER" bölümüne bakın.
- Bataryanın nasıl çıkarılacağı veya takılacağı ile ilgili olarak "Batarya kartuşunun takılması veya çıkartılması" kısmına bakın.
- Batarya kartuşunu bertaraf ederken aletten çıkarın ve güvenli bir yerde bertaraf edin. Bataryanın bertaraf edilmesi ile ilgili yerel düzenlemelere uyun.
- Alet uzun süre kullanılmayacaksa batarya aletten çıkarılmalıdır.
- Batarya kartuşunu kısa devre yapmayın.
- Kullanıcı bakımı sırasındaki uygun önlem bilgileri için "BAKIM" bölümüne bakın.

TEKNİK ÖZELLİKLER

Model:	VC002GL	VC004GL
Standart filtre türü	Toz filtresi (kuru tozlar için)	
Maksimum hava hacmi BL4040, ø38 mm x 2,5 m hortum ile)	2,7 m ³ /min	
Vakum (BL4040, ø38 mm x 2,5 m hortum ile)	23 kPa	
Elde edilebilir kapasite	8 L	15 L
Ebat (U x G x Y)	366 mm x 334 mm x 425 mm	366 mm x 334 mm x 475 mm
Nominal voltaj	D.C. 36 V - 40 V maks.	
Net ağırlık	8,3 - 11,4 kg	8,6 - 11,7 kg
Koruma sınıfı	IPX4	

- Sürekli yapılan araştırma ve geliştirmelerden dolayı, burada belirtilen özellikler önceden bildirilmeksizin değiştirilebilir.
- Özellikler ve batarya kartuşu ülkeden ülkeye değişebilir.
- Ağırlık, batarya kartuşu/kartuşları hariç aksesuarları içermez. Cihazın ve batarya kartuşunun/kartuşlarının en hafif ve en ağır birleşik ağırlığı tabloda gösterilmiştir.
- Islak tozlar için, şamandıra ve su filtresi veya kumaş filtre gereklidir.

Geçerli batarya kartuşu ve şarj aleti

Batarya kartuşu	BL4020 / BL4025 / BL4040* / BL4050F* / BL4080F* *: Önerilen batarya
Şarj aleti	DC40RA / DC40RB / DC40RC

- Yukarıda listelenen batarya kartuşlarının ve şarj aletlerinin bazıları yaşadığınız bölgeye bağlı olarak mevcut olmayabilir.

UYARI: Sadece yukarıda listelenen batarya kartuşlarını ve şarj aletlerini kullanın. Başka batarya kartuşlarının ve şarj aletlerinin kullanılması yaralanma ve/veya yangına neden olabilir.

Semboller

Ekipmanı için kullanılabilecek semboller aşağıda gösterilmiştir. Kullanmadan önce anlamlarını anladığınızdan emin olun.



El kitabını okuyun.



Çok özenli ve dikkatli kullanın.



Uyarı! Süpürge tehlikeli tozlar içerebilir.



Asla süpürgenin üzerine çıkmayın.



Toz sınıfı: L (hafif); Süpürgeler, L sınıfı tozları toplamak içindir. Tozlara ve mesleki tehlikelere ve güvenliğe ilişkin olarak ülkenizdeki yönetmeliklere uyun.



Sadece AB ülkeleri için
Ekipmanda tehlikeli bileşenler bulunduğundan dolayı atık elektrikli ve elektronik ekipmanlar, aküler ve bataryalar çevre ve insan sağlığı üzerinde olumsuz etkiye yol açabilir. Elektrikli ve elektronik cihazları veya bataryaları evsel atıklarla birlikte atmayın!
Atık elektrikli ve elektronik ekipmanlar ile akümülatörler ve bataryalar hakkındaki Avrupa Direktifi ve söz konusu direktifin ulusal yasalara uyarlanması gereğince atık elektrikli ekipmanlar, bataryalar ve akümülatörler ayrı olarak depolanmalı ve çevre koruma hakkındaki mevzuata uygun olarak faaliyet gösteren ayrı bir kentsel atık toplama noktasına teslim edilmelidir.
Bu husus, ekipmanın üzerine yerleştirilmiş üzerinde çarpı işareti bulunan tehlikeli çöp kovası simgesi ile belirtilmiştir.

Kullanım amacı

Bu cihaz kuru tozları toplamak amacıyla kullanılır. Cihaz; oteller, okullar, hastaneler, fabrikalar, dükkanlar, ofisler ve kiralama hizmetleri gibi ticari kullanımlar için uygundur.

Gürültü

Tipik A-ağırlıklı gürültü düzeyi (EN60335-2-69 standardına göre belirlenen):

Model VC002GL

Ses basınç seviyesi (L_{pA}): 70 dB (A) veya daha az
Belirsizlik (K): 2,5 dB (A)

Model VC004GL

Ses basınç seviyesi (L_{pA}): 70 dB (A) veya daha az
Belirsizlik (K): 2,5 dB (A)

İşlem sırasında gürültü seviyesi 80 dB (A)'yi geçebilir.

NOT: Beyan edilen gürültü emisyonu değer(ler)i bir standart test yöntemine uygun şekilde ölçülmüştür ve bir aleti bir başkasıyla karşılaştırmak için kullanılabilir.

NOT: Beyan edilen gürültü emisyonu değer(ler)i bir ön maruz kalma değerlendirmesi olarak da kullanılabilir.

UYARI: Kulak koruyucuları takın.

UYARI: Elektrikli aletin gerçek kullanımı sırasındaki gürültü emisyonu, aletin kullanım biçimlerine, özellikle işlenen iş parçasının türüne bağlı olarak beyan edilen değer(ler)den farklı olabilir.

UYARI: Gerçek kullanım koşullarındaki tahmini maruziyeti baz alan, operatörü koruyacak güvenlik önlemlerini mutlaka belirleyin (çalışma döngüsü içerisinde aletin kapalı olduğu ve aktif durumda olmasının yanı sıra boşta çalıştığı zamanlar gibi, bütün zaman dilimleri göz önünde bulundurarak).

Titreşim

Titreşim toplam değeri (üç eksenli vektör toplamı) (EN60335-2-69 standardına göre hesaplanan):

Model VC002GL

Titreşim emisyonu ($a_{h,M}$): 2,5 m/s²'den az
Belirsizlik (K) : 1,5 m/s²

Model VC004GL

Titreşim emisyonu ($a_{h,M}$): 2,5 m/s²'den az
Belirsizlik (K) : 1,5 m/s²

NOT: Beyan edilen titreşim toplam değer(ler)i bir standart test yöntemine uygun şekilde ölçülmüştür ve bir aleti bir başkasıyla karşılaştırmak için kullanılabilir.

NOT: Beyan edilen titreşim toplam değer(ler)i bir ön maruz kalma değerlendirmesi olarak da kullanılabilir.

UYARI: Elektrikli aletin gerçek kullanımı sırasındaki titreşim emisyonu, aletin kullanım biçimlerine, özellikle işlenen iş parçasının türüne bağlı olarak beyan edilen değer(ler)den farklı olabilir.

UYARI: Gerçek kullanım koşullarındaki tahmini maruziyeti baz alan, operatörü koruyacak güvenlik önlemlerini mutlaka belirleyin (çalışma döngüsü içerisinde aletin kapalı olduğu ve aktif durumda olmasının yanı sıra boşta çalıştığı zamanlar gibi, bütün zaman dilimleri göz önünde bulundurarak).

EC Uygunluk Beyanı

Sadece Avrupa ülkeleri için

EC uygunluk beyanı bu kullanım kılavuzuna Ek A olarak eklenmiştir.

GÜVENLİK UYARILARI

Akülü süpürgesi güvenlik uyarıları

UYARI: ÖNEMLİ! KULLANMADAN ÖNCE tüm güvenlik uyarılarını ve tüm talimatları DİKKATLE OKUYUN. Uyarılara ve talimatlara uyulmaması elektrik şoku, yangın ve/veya ciddi yaralanmalar ile sonuçlanabilir.

1. Kullanmadan önce, bu süpürgeyi kullanacak kişilerin bu süpürgeyi kullanımı konusunda yeterince bilgilendirildiğinden emin olun.
2. Kullanmadan önce operatörlere, makinenin kullanımı ve hangi maddeler için duruma-çığına ilişkin, toplanan materyali güvenli çıkarma ve atma yöntemi de dahil olmak üzere bilgi, talimat ve eğitim verilmelidir.
3. Kullanmadan önce filtrelerin düzgün bir şekilde takıldıklarından mutlaka emin olun. Süpürgeyi filtreler yerinde olmadan kullanmayın. Hasarlı filtreyi hemen değiştirin. Filtreler sarf malzemeleri olduğundan bir miktar yedek bulundurulması önerilir.
4. İSTEM DIŞI BAŞLATMAYI ÖNLEYİN. Bataryayı/bataryaları takarken anahtarın KAPALI konumunda olduğundan emin olun.
5. Yanıcı malzemeleri, havai fişekleri, yanan sigaraları, sıcak külleri, sıcak metal parçaları; jilet, iğne, kırık cam vb. keskin malzemeleri süpürgeyle çekmeye çalışmayın.
6. SÜPÜRGEYİ ASLA BENZİN, GAZ, BOYA, YAPITIRICILAR YA DA DİĞER ÖLÜK SEK ORANDA PATLAYICI ÖZELLİĞİ OLAN MADDELERİN YAKININDA KULLANMAYIN. AÇMA ve KAPAMA sırasında anahtardan kıvılcım çıkar. Kullanım sırasında motor kolektöründen de kıvılcım çıkar. Ciddi bir patlama meydana gelebilir.

7. Asbest, arsenik, baryum, berilyum, kurşun, pestisitler gibi zehirli, kanserojen, yanıcı veya diğer tehlikeli maddeleri veya sağlığa zararlı maddeleri süpürgeyle çekmeyin.
8. Düşmesini veya kazara hareket etmesini engellemek için süpürgeyi her zaman yatay düz bir yüzeye yerleştirin.
9. Süpürgeyi yağmurlu havalarda dışarıda asla kullanmayın.
10. Finlandiya için bu makine düşük sıcaklıkta dış mekanlarda kullanılmamalıdır.
11. Isı kaynaklarının yakınında kullanmayın (ocak vb.).
12. Egzoz havası odaya geri dönerse odada yeterli bir hava değişim oranı sağlamak gereklidir. Gerekirse ulusal mevzuata başvurun.
13. Emme ağız/çıkış/soğutma kanallarını kapatmayın. Bu kanallar motorun soğumasını sağlar. Kanalların kapatılmasında dikkatle kaçınılmalıdır, aksi takdirde yetersiz havalandırma nedeniyle motor yanar.
14. Her zaman yere sağlam basın ve dengeyi koruyun.
15. Hortumu katlamayın, çekiştirmeyin veya üzerine basmayın.
16. Kullanım sırasında performanstan ziyafılama ya da normal olmayan herhangi bir durum tespit ettiğinizde süpürgeyi derhal durdurun.
17. **BATARYAYI/BATARYALARI ÇIKARIN.** Kullanılmadığında, servis işlemlerinden önce ve aksesuarları değiştirirken.
18. Süpürgeyi en iyi kullanım koşullarında tutmak için her kullanımdan sonra süpürgeyi derhal temizleyin ve bakımını yapın.
19. **SÜPÜRGENİN BAKIMINI DİKKATLİ BİR ŞEKİLDE YAPIN.** Daha iyi ve güvenli performans için süpürgeyi temiz tutun. Aksesuarların değiştirilmesi için talimatlara uyun. Tutamakları kuru, temiz ve yağ ve gres bulaşmamış halde bulundurun.
20. **HASARLI PARÇALARI KONTROL EDİN.** Süpürgeyi kullanmaya devam etmeden önce, hasar görmüş siper ya da başka bir parça, uygun şekilde çalışıp çalışmayacağını ve amaçlanan işlevi görüp göremeyeceğini belirlemek amacıyla, dikkatli bir şekilde kontrol edilmelidir. Hareketli parçaların hizalanmalarını, bağlantılarını, parçalardaki kırıkları, montajlarını ve işleyişi etkileyebilecek başka durumları kontrol edin. Hasar görmüş siper ya da başka bir parça, bu kullanım kılavuzunda başka bir yer belirtilmediği sürece yetkili bir servis merkezi tarafından onarılmalı ya da değiştirilmelidir. Arızalı anahtarlar yetkili servis merkezinde değiştirin. Anahtar süpürgeyi açıp kapatmıyorsa süpürgeyi kullanmayın.
21. Kullanıcı bakımı için makine, bakım personeli ve diğerlerini riske atmadan makul şekilde uygulanabilir ölçüde sökülmeli, temizlenmeli ve bakımı yapılmalıdır.
22. Makine, üretici firma veya eğitimli bir personel tarafından yılda en az bir kez teknik olarak muayene edilmelidir; bu muayene örneğin filtrelerin hasara karşı kontrol edilmesini, makinenin hava geçirmezliğini ve kontrol mekanizmasının düzgün çalışıp çalışmadığını içermelidir.
23. Bakım veya onarım işlemleri yaparken tatminkar düzeyde temizlenemeyen tüm kirli elemanlar atılmalıdır; söz konusu elemanlar, bu tür atıkların atılması ile ilgili mevcut tüm mevzuata uygun olarak sızdırmaz torbalarda atılmalıdır.
24. **YEDEK PARÇALAR.** Servis için sadece aynı yedek parçaları kullanın.
25. **SÜPÜRGENİN KULLANILMADIĞI ZAMAN SAKLANMASI.** Kullanılmadığında, süpürgeyi iç mekanlarda saklayın.
26. Süpürgeyi özenle kullanın. Kaba kullanım en sağlam yapıli süpürgeyi bile kırılmasına neden olabilir.
27. İçini ya da dışını benzin, tiner veya temizleyici kimyasallarla temizlemeye çalışmayın. Çatlaklar ya da renk değişiklikleri oluşabilir.
28. Yağ bazlı boya, boya inceltici, benzin, bazı güve yemez maddeler vb.den yanıcı, patlayıcı veya zehirli buharlar çıkan kapalı ortamlarda veya yanıcı tozların mevcut olduğu alanlarda süpürgeyi kullanmayın.
29. Bu aleti ya da diğer aletleri alkol veya ilaçların etkisi altında kullanmayın.
30. Temel bir güvenlik kuralı olarak güvenlik gözlükleri veya kenar siperli güvenlik gözlükleri kullanın.
31. Tozlu çalışma koşullarında bir toz maskesi kullanın.
32. Bu makine fiziksel, duyuusal ya da zihinsel yetenekleri kısıtlı olan veya deneyim ya da bilgileri olmayan kişiler ve çocuklar tarafından kullanıma uygun değildir.
33. Süpürge ile oynamadıklarından emin olmak için çocuklar kontrol altında bulundurulmalıdır.
34. Bataryayı/bataryaları ve süpürgeyi asla ıslak elle ellemeyin.
35. Merdivenlerde temizlik yaparken çok dikkatli olun.
36. Süpürgeyi basamak ya da devrileme tezgahı olarak kullanmayın. Makine deşilebilir ve kişisel yaralanmaya neden olabilir.
37. Köpük veya sabunlu sıvıları süpürgeye çekmeyin. Hava çıkışından köpük çıkmasına neden olarak elektrik çarpmasına ve süpürgeye hasara yol açabilir.

Bataryalı aletin kullanımı ve bakımı

1. Sadece üretici tarafından belirtilen şarj aleti ile şarj edin. Bir batarya kutusu için uygun olan şarj cihazı başka bir batarya kutusu ile kullanıldığında yangın riski oluşturabilir.
2. Elektrikli aletleri sadece özel olarak belirtilen batarya kutuları ile kullanın. Başka batarya kutularının kullanımı yaralanma ve yangın riski oluşturabilir.
3. Batarya kutusu kullanılmadığında; iki terminal arasında bağlantı kurulmasına sebep olabilecek ataç, bozuk para, anahtar, çivi, vida gibi metal nesnelere ya da küçük metal objelerden uzak tutun. Batarya terminallerine kısa devre yaptırmak yanıklara ya da yangına yol açabilir.
4. Kötü koşullarda bataryadan sıvı sızabilir; bu sıvıya temas etmeyin. Eğer istemeden bir temas olursa suyla yıkayın. Sıvı göze temas ederse, suyla yıkadıktan sonra tıbbi yardım alın. Bataryadan çıkan sıvı tahrişe ya da yanıklara neden olabilir.

5. **Batarya kutusu ya da alet hasar görmüşse ya da üzerinde değişiklik yapılmışsa batarya kutusunu kullanmayın.** Hasar görmüş ya da üzerinde değişiklik yapılmış batarya kutularının, patlama ya da yaralanma riski ile sonuçlanan beklenmedik davranışlar sergileyebilir.
6. **Batarya kutusunu veya aleti ateşe ya da aşırı sıcaklıklara maruz bırakmayın.** Ateşe ya da 130 °C'nin üzerindeki sıcaklıklara maruz bırakmak patlamaya neden olabilir.
7. **Tüm şarj talimatlarına uyun ve batarya kutusunu ya da aleti yönergelerde belirtilen sıcaklık aralığının dışındaki sıcaklıklarda şarj etmeyin.** Uygun olmayan bir şekilde ya da belirtilen sıcaklık aralığının dışında şarj etmek bataryaya zarar verebilir ve yangın riskini artırabilir.
10. **Aletin içerdiği lityum-iyon bataryalar Tehlikeli Eşyalar Yönetmeliğinin gereksinimlerine tabidir.** Ticari nakliye işlemleri için, örneğin üçüncü taraflar, nakliye acenteleri tarafından yapılan nakliyelerde, paketleme ve etiketleme gereksinimlerine uyulmalıdır. Nakliyesi yapılacak ürünün hazırlanması için, tehlikeli maddeler konusunda uzman bir kişiye danışın. Lütfen muhtemelen daha ayrıntılı olan ulusal yönetmeliklere de uyun. Açık kontakları bantlayın ya da maskeleyin ve bataryayı paketin içinde hareket etmeyecek şekilde paketleyin.

BU TALİMATLARI SAKLAYIN.

⚠UYARI: Ürünü kullanırken (defalarca kullanınca kazanılan) rahatlık ve tanıdıklık duygusunun ilgili ürünün güvenlik kurallarına sıkı sıkıya bağlı kalmanızı yerine geçmesine İZİN VERMEYİN. YANLIŞ KULLANIM veya bu kullanma kılavuzunda belirtilen emniyet kurallarına uymama ciddi yaralanmaya neden olabilir.

Batarya kartuşu hakkında önemli güvenlik talimatları

1. **Batarya kartuşunu kullanmadan önce, tüm talimatları ve (1) batarya kartuşu, (2) batarya ve (3) ürün üzerindeki tüm uyarı işaretlerini okuyun.**
2. **Batarya kartuşunu parçalarına ayırmayın veya kurcalamayın.** Yangın, aşırı ısı veya patlamaya neden olabilir.
3. **Çalışma süresi aşırı derecede kısalmışsa kullanmayı derhal bırakın.** Aşırı ısınma, yanma riski hatta patlamaya neden olabilir.
4. **Gözünüze elektrolit kaçarsa, gözlerinizi temiz suyla durulayın ve hemen tıbbi yardım alın.** Görme kaybına yol açabilir.
5. **Batarya kartuşuna kısa devre yaptırmayın:**
 - (1) Terminallere herhangi bir iletken madde değdirmeyin.
 - (2) Batarya kartuşunu çiviler, madeni paralar, vb. gibi başka metal nesnelere aynı kaba koymaktan kaçının.
 - (3) Batarya kartuşunu yağmura ya da suya maruz bırakmayın.
6. **Kısa devre, büyük bir akım akışına, aşırı ısınmaya, olası yanıklara hatta bataryanın bozulmasına yol açabilir.**
6. **Aleti ve batarya kartuşunu sıcaklığın 50 °C ya da daha yüksekçe ulaştığı yerlerde saklamayın ve kullanmayın.**
7. **Aşırı derecede hasar görmüş ya da tamamen kullanılmaz durumda olsa bile batarya kartuşunu yakmayın.** Batarya kartuşu ateşe atılırsa patlayabilir.
8. **Batarya kartuşunu çivilemeyin, kesmeyin, ezmeyin, fırlatmayın, düşürmeyin ya da batarya kartuşuna sert bir nesne ile vurmeyin.** Bu eylemler yangın, aşırı ısı veya patlamaya neden olabilir.
9. **Hasarlı bataryayı kullanmayın.**
11. **Batarya kartuşunu bertaraf ederken aletten çıkarın ve güvenli bir yerde bertaraf edin.** Bataryanın bertaraf edilmesi ile ilgili yerel düzenlemelere uyunuz.
12. **Bataryaları sadece Makita tarafından belirtilen ürünlerle kullanın.** Bataryaların uyumsuz ürünlere takılması; yangın, aşırı ısınma, patlama ya da elektrolit sızıntısına neden olabilir.
13. **Alet uzun süre kullanılmıyacaksa batarya aletten çıkarılmalıdır.**
14. **Kullanma sırasında ve sonrasında batarya kartuşu ısınarak yanıklara veya düşük sıcaklık yanıklarına yol açabilir.** Sıcak batarya kartuşları ile işlem yaparken dikkat edin.
15. **Yanıklara neden olabilecek kadar sıcak olabileceğinden kullandıktan hemen sonra aletin terminaline dokunmayın.**
16. **Batarya kartuşunun terminallerine, deliklerine ve kanallarına mıcır, toz veya toprak girmesine izin vermeyin.** Aletin veya batarya kartuşunun ısınmasına, alev almasına, patlamasına ve arızalanmasına neden olarak yanıklara veya yaralanmaya yol açabilir.
17. **Alet yüksek gerilim elektrik güç hatlarında kullanımı desteklemediği sürece batarya kartuşunu yüksek gerilim elektrik güç hatlarının yakınında kullanmayın.** Aletin veya batarya kartuşunun arızalanmasına veya bozulmasına neden olabilir.
18. **Bataryayı çocuklardan uzak tutun.**

BU TALİMATLARI MUHAFAZA EDİNİZ.

⚠DİKKAT: Sadece orijinal Makita bataryalarını kullanın. Orijinal olmayan Makita bataryaları ya da üzerine değişiklik yapılmış bataryaların kullanımı bataryanın patlamasına ve sonuç olarak yangın, kişisel yaralanma ve hasara neden olabilir. Ayrıca Makita aleti ve şarj aletinin Makita tarafından sunulan garantisine geçersiz olur.

Maksimum batarya ömrü için ipuçları

1. **Batarya kartuşunu tamamen boşalmadan önce şarj edin.** Aletin gücünün zayıflamaya başladığını fark ettiğinizde aleti durdurun ve batarya kartuşunu şarj edin.
2. **Tam dolu bir batarya kartuşunu asla yeniden şarj etmeyin.** Aşırı şarj etme bataryanın hizmet ömrünü kısaltır.

3. Batarya kartuşunu 10 °C - 40 °C oda sıcaklığında şarj edin. Sıcak bir batarya kartuşunu şarj etmeden önce soğumasını bekleyin.
4. Batarya kartuşunu kullanıyorken aletten veya şarj aletinden çıkarın.
5. Uzun bir süre (altı aydan daha fazla) kullanmadığınız durumlarda batarya kartuşunu şarj edin.

Kablosuz ünitesi için önemli güvenlik talimatları

1. Kablosuz ünitesini parçalarına ayırmayın veya kurcalamayın.
2. Kablosuz ünitesini küçük çocuklardan uzak tutun. Kazara yutulursa derhal tıbbi yardım alın.
3. Kablosuz ünitesini sadece Makita aletlerle kullanın.
4. Kablosuz ünitesini yağmura veya ıslak koşullara maruz bırakmayın.
5. Kablosuz ünitesini sıcaklığın 50 °C'yi aştığı yerlerde kullanmayın.
6. Kablosuz ünitesini, kalp pilleri gibi tıbbi cihazların yakınında bulunan yerlerde kullanmayın.
7. Kablosuz ünitesini, otomatik cihazların yakınında bulunan yerlerde kullanmayın. Kullanılırsa otomatik cihazlar arızalanabilir veya hata verebilir.
8. Kablosuz ünitesini, yüksek sıcaklık altındaki yerlerde veya statik elektrik veya elektrik gürlütsü üretilebilecek yerlerde kullanmayın.
9. Kablosuz ünitesi elektromanyetik alanlar üretir ancak onlar kullanıcıya zararlı değildir.
10. Kablosuz ünitesi hassas bir cihazdır. Kablosuz ünitesini düşürmemeye veya çarpmamaya dikkat edin.
11. Kablosuz ünitesinin terminaline çıplak ellerle veya metalik malzemelerle dokunmaktan kaçının.
12. Kablosuz ünitesini ürüne takarken ürünün üzerindeki bataryayı mutlaka çıkarın.
13. Yuva kapağını açarken yuvaya toz ve suyun girebileceği yerlerden kaçının. Yuva girişini daima temiz tutun.
14. Kablosuz ünitesi her zaman doğru yönde takın.
15. Kablosuz ünitesinin üzerindeki kablosuz çalıştırma düğmesine çok sert basmayın ve/veya düğmeye keskin uçlu bir cisim ile basmayın.
16. Kullanırken yuva kapağını mutlaka kapatın.
17. Alete güç beslenirken kablosuz ünitesini yuvadan çıkarmayın. Aksi takdirde kablosuz ünitesi arızalanabilir.
18. Kablosuz ünitesinin üzerindeki etiketi çıkarmayın.
19. Kablosuz ünitesinin üzerine hiçbir etiket koymayın.
20. Kablosuz ünitesini, statik elektrik veya elektrik gürlütsü üretilebilecek yerlerde bırakmayın.
21. Kablosuz ünitesini, güneşin altında duran bir araba gibi yüksek ısıya maruz yerlerde bırakmayın.

22. Kablosuz ünitesini, tozlu veya aşındırıcı gaz üretilebilecek yerlerde bırakmayın.
23. Ani sıcaklık değişimleri kablosuz ünitesini nemlendirebilir. Nem tamamen kuruyana dek kablosuz ünitesini kullanmayın.
24. Kablosuz ünitesini temizlerken kuru yumuşak bir bezle nazikçe silin. Benzin, tiner, iletken gres veya benzeri maddeler kullanmayın.
25. Kablosuz ünitesini saklarken ürünle verilen kutusunda veya anti-statik bir kaptaki saklayın.
26. Alet üzerindeki yuvaya Makita kablosuz ünitesi dışında başka hiçbir aygıt sokmayın.
27. Aleti, yuvanın kapağı hasarlı iken kullanmayın. Yuvaya giren su, toz ve pislik arızaya neden olabilir.
28. Yuvanın kapağını gerekenden fazla çekmeyin ve/veya bükmeyin. Aletten çıkması durumunda kapağı yeniden takın.
29. Kaybolur veya hasar görürse kapağı değiştirin.

BU TALİMATLARI MUHAFAZA EDİNİZ.

PARÇALARIN TANIMI

- Şek.1: 1. Kafa ünitesi 2. Toz filtresi (HEPA) 3. Tampon 4. Ön filtre 5. Hazne

İŞLEVSEL NİTELİKLER

⚠DİKKAT: Cihaz üzerinde ayarlama ya da işleyiş kontrolü yapmadan önce cihazın kapalı ve batarya kartuşlarının çıkartılmış olduğundan daima emin olun.

Batarya kartuşunun takılması ve çıkarılması

⚠DİKKAT: Batarya kartuşlarını takmadan ya da çıkarmadan önce cihazı daima kapatın.

⚠DİKKAT: Batarya kartuşunu takarken veya çıkarırken süpürgeyi ve batarya kartuşlarını sıkıca tutun. Aksi takdirde bunlar elinizden kayarak süpürge ve batarya kartuşlarında hasara veya yaralanmaya yol açabilir.

⚠DİKKAT: Batarya kapağını açıp kapatırken parmaklarınızı sıkıştırmamaya dikkat edin. Bunun yapılmaması kişisel yaralanmalara sebep olabilir.

Süpürgede çift batarya yuvası bulunur. İki aynı bataryayı paralel kullanılarak bataryaları şarj etmek için durmak zorunda kalmadan çalışma sürenizi bir veya daha fazla kullanıma kadar uzatabilirsiniz. Süpürge tek bir batarya ile de çalışabilir, bu yüzden ihtiyaçlarınıza göre çift batarya veya tek batarya arasından seçim yapabilirsiniz.

- Şek.2: 1. Sol batarya yuvası 2. Sağ batarya yuvası

Çift batarya ile

İki batarya ile kesintisiz tahrik, daha uzun çalışma süresine ve daha verimli temizliğe olanak tanır. İlk batarya boşalırken süpürge otomatik olarak güç kaynağını değiştirir, böylece ikinci batarya ile çalışmaya devam eder.

NOT: Sol batarya yuvası (süpürgeğin önüne bakarken) sağ batarya yuvasına göre önceliklidir. Sağ batarya yuvası yalnızca sol batarya yuvasına takılı batarya yokken veya sol batarya yuvasındaki batarya boşaldığında bir güç kaynağı olarak tanımlanır.

NOT: Süpürge güç kaynağını sol batarya yuvasından sağa değiştirdiğinde çalışmaya ara vermeden sol batarya yuvasındaki bataryayı çıkarabilir ve şarj edebilirsiniz. Şarjlı bir batarya taktıktan sonra öncelikle yeniden sol batarya yuvasına vermek için süpürgeyi yeniden başlatın.

Tek batarya ile

Güç kaynağı sol veya sağ batarya yuvasında olduğu için sadece bir batarya gerekir. Süpürge, çalışma koşullarına göre hangi batarya yuvasının kullanılabilir olduğunu otomatik olarak belirler.

Takma ve çıkarma

Batarya kartuşlarını takmak için önce kilidi ve ardından batarya kapağını açın. Daha sonra batarya kartuşlarını takın.

► **Şek.3:** 1. Kilit 2. Batarya kapağı

Batarya kartuşlarının üzerindeki dipleri batarya yuvasındaki girintilerle hizalayın ve kaydırarak yerlerine takın. Hafif bir tık sesiyle yerlerine kilitlenen dek sonuna kadar sokun.

Ardından batarya kapağını kilitleyin.

► **Şek.4:** 1. Batarya kartuşu 2. Düşme

Batarya kartuşlarını çıkarmak için kartuşlarının önündeki düğmelere basıp basılı tutarken batarya yuvasından dışarı kaydırarak çıkarın.

⚠DİKKAT: Batarya kartuşunu her zaman tam olarak takın. Aksi takdirde, cihazın üzerinden kazara düşerek sizin ya da çevrenizdekilerin yaralanmasına neden olabilir.

⚠DİKKAT: Batarya kartuşunu zorlayarak takmayın. Kartuş kolay bir şekilde kaymıyorsa doğru yerleştirilmemiş demektir.

NOT: Süpürge güç kaynağını ilk bataryadan ikinci bataryaya değiştirirken işlemlerde geçici bir duraklama gerektirebilir, bu da hafif emiş kaybına neden olur. Bunun bir arıza olmadığını lütfen unutmayın, duraklamadan sonra süpürge hemen toparlanır ve işlemleri devam ettirir.

Kalan batarya kapasitesinin gösterilmesi

Kalan batarya kapasitesini göstermesi için batarya kartuşu üzerindeki kontrol düğmesine basın. Göstergelambaları birkaç saniye yanar.

► **Şek.5:** 1. Göstergelambaları 2. Kontrol düğmesi

Göstergelambaları			Kalan kapasite
Yanıyor	Kapalı	Yanıp sönüyor	
			%75 ila %100
			%50 ila %75
			%25 ila %50
			%0 ila %25
			Bataryayı şarj edin.
			Batarya arızalanmış olabilir.

NOT: Kullanım koşullarına ve ortam sıcaklığına bağlı olarak, gösterilen değer gerçek kapasiteden biraz farklılık gösterebilir.

NOT: İlk (en soldaki) göstergelambası, batarya koruma sistemi çalıştığından yanıp söner.

Kumanda panelindeki batarya göstergeleri

Kalan batarya kapasitesi istenildiğinde kumanda panelinden okunabilir. Kontrol düğmesine basın, sol ve sağ göstergeler ilgili batarya şarj seviyelerini gösterir.

► **Şek.6:** 1. Batarya göstergeleri 2. Kontrol düğmesi

► **Şek.7**

Batarya göstergesi durumu			Kalan pil kapasitesi
Açık	Kapalı	Yanıp sönüyor	
			%50 ila %100
			%20 ila %50
			%0 ila %20
			Bataryayı şarj edin
			Batarya takılı değil

NOT: Batarya göstergeleri süpürge çalışmaya başladığında veya güç kaynağını birinden diğerine değiştirdiğinde de etkinleşir.

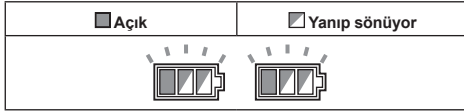
Cihaz/batarya koruma sistemi

Cihaz bir cihaz/batarya koruma sistemi ile donatılmıştır. Bu sistem cihaz ve batarya ömrünü uzatmak için motorun gücünü otomatik olarak keser. Cihaz veya batarya için aşağıdaki durumlardan biri söz konusu olduğunda cihaz çalışma sırasında otomatik olarak durur:

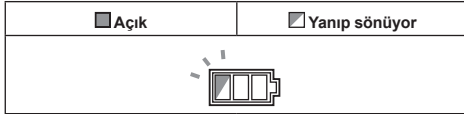
Aşırı yük koruması

Cihaz/batarya, anormal derecede yüksek akım çekmesine neden olacak şekilde kullanıldığında, cihaz otomatik olarak durur. Bu durumda cihazı kapatın ve cihazın aşırı yüklenmesine neden olan uygulamayı kesin. Ardından cihazı açarak yeniden çalıştırın.

Aşırı ısınma koruması



Cihaz aşırı ısındığında otomatik olarak durur ve hem sol hem de sağ batarya göstergeleri yanıp söner. Bu durumda, yeniden çalıştırmadan önce cihazın soğumasını bekleyin.



Batarya aşırı ısındığında cihaz otomatik olarak durur ve aşırı ısınan bataryanın göstergelerinden biri yanıp söner. Bu durumda, cihazı yeniden çalıştırmadan önce bataryanın soğumasını bekleyin.

Aşırı deşarj koruması

Batarya kapasitesi düştüğünde cihaz otomatik olarak durur. Cihaz, anahtar kullanımı ile çalışmazsa bataryaları cihazdan çıkarın ve şarj edin.

Diğer nedenlere karşı korumalar

Koruma sistemi, cihaza zarar verebilecek diğer nedenler için de tasarlanmıştır ve cihazın otomatik olarak durmasını sağlar. Cihaz çalışırken geçici duraklama ve durma yaparsa nedenleri ortadan kaldırmak için aşağıdaki tüm adımları uygulayın.

1. Cihazı kapatın ve ardından tekrar açarak yeniden çalıştırın.
2. Bataryaları şarj edin veya şarjlı bataryalarla değiştirin.
3. Cihazın ve bataryaların soğumasını bekleyin.

Koruma sistemi eski haline getirilerek ilerleme kaydedilemezse yerel Makita Servis Merkezimize başvurun.

Anahtar işlemi

Süpürgeyi açma

1. Süpürgeyi bekleme modunda hazır hale getirmek için hazırda bekleme anahtarını "I" (Açık) veya "AUTO" (Açık) konumuna alın.
2. Açma kapama düğmesine basın. Hazırda bekleme moduna geri almak için, açma kapama düğmesine tekrar basın.

Süpürgeyi kapatma

Aşağıdaki adımlardan birini uygulayın.

- Açma kapama düğmesine basarak süpürgeyi hazırda bekleme moduna geri alın ve ardından hazırda bekleme anahtarını "O" (Kapalı) konumuna getirin.
- Hazırda bekleme anahtarını "O" (Kapalı) konumuna getirin.

Emme gücünü ayarlama

Emme gücü yaptığınız işin gereksinimine göre ayarlanabilir.

- Emme gücünü azaltmak için emme gücü ayarlama düğmesini sola çevirin.
- Emme gücünü artırmak için emme gücü ayarlama düğmesini sağa çevirin.

► **Şek.8:** 1. Hazırda bekleme anahtarı 2. Açma kapama düğmesi 3. Emme gücü ayarlama düğmesi

Tekerlekleri kilitleme ve serbest bırakma

Süpürgeyi sabit durmasını sağlamak için arka tekerlekler durdurucularla kilitlenebilir. Durdurucu mandalı tekerleği kilitlemek için elle indirin, serbest bırakmak için kaldırın.

► **Şek.9:** 1. Tekerlek 2. Durdurucu mandal 3. SERBEST konum 4. KİLİTLİ konum

NOT: Süpürgeyi hareket ettirirken tekerleğin kilitleti olmadığından emin olun. Süpürgeyi tekerlek kilitleti konumda hareket ettirmek tekerleğe zarar verebilir.

Taşıma sapı

⚠ DİKKAT: Cihazı gerekli özeni göstererek kaldırın ve taşıyın. Aksi takdirde yaralanmaya veya cihazda hasara neden olabilir.

Süpürgeyi taşıırken, kafa ünitesindeki sapından tutarak taşıyın. Kullanılmadığı zaman bu sap kafa ünitesinde geri çekilebilir.

► **Şek.10**

MONTAJ

⚠ DİKKAT: Cihaz üzerinde herhangi bir iş yapmadan önce cihazın kapalı ve batarya kartuşlarının çıkarılmış olduğundan daima emin olun.

⚠ DİKKAT: Montaj veya bakım sırasında daima toz maskesi takın.

Toz filtresi (HEPA) ve ön filtrenin takılması (kuru tozlar için)

⚠ DİKKAT: Toz filtresini kullanırken asla su veya başka sıvıları ya da ıslak tozları çekmeyin. Bunların çekilmesi toz filtresinin bozulmasına neden olabilir.

Toz filtresini kullanmak için:

1. Ön filtre ve hazne üzerindeki montaj konumu işaretlerini hizalayarak ön filtreyi hazneye takın.
 2. Tamponu ön filtreye takın ve ardından toz filtresi ve ön filtre üzerindeki montaj konumu işaretlerini hizalayarak toz filtresini tamponun üzerine yerleştirin.
 3. Kafa ünitesini hazneye takın ve kilitleme mandalları ile sabitleyin.
- **Şek.11:** 1. Kafa ünitesi 2. Toz filtresi (HEPA) 3. Tampon 4. Ön filtre 5. Hazne 6. Montaj konumu işareti

ÖNEMLİ NOT: Toz filtresini kullanmadan önce, ön filtre ve tamponun birlikte kullanıldığından daima emin olun. Toz filtresinin tek başına takılmasına izin verilmemelidir.

Kağıt torbayı takma

İsteğe bağlı aksesuar

⚠ UYARI: Kağıt torbayı kullanmadan önce, ön filtrenin birlikte kullanıldığından emin olun. Ön filtrenin birlikte kullanılmaması anormal gürültü ve ısıya neden olabilir, yangınla sonuçlanabilir.

ÖNEMLİ NOT: Kağıt torba kullanırken asla su veya başka sıvıları ya da ıslak tozları çekmeyin. Bunların çekilmesi kağıt torbanın bozulmasına neden olabilir.

ÖNEMLİ NOT: Kağıt torbayı kullanmadan önce, toz filtresinin, tamponun ve ön filtrenin daima birlikte kullanıldığından emin olun.

1. Katlı kağıt torbayı açın.
 2. Kağıt torbanın ağzını haznenin toz girişi ile hizalayın.
 3. Karton ağız kağıt torba yuvasına geçirilmiş olarak kağıt torbayı hazneye takın.
- **Şek.12:** 1. Kağıt torba 2. Karton ağız 3. Kağıt torba yuvası 4. Toz girişi

Polietilen torbayı takma

Hazneye polietilen torba takıldığında hazneyi elleriniz kirlenmeden kolayca boşaltabilirsiniz.

Polietilen torbayı haznenin üzerine örtün ve torbanın açık ucunda üst kenarının bir tarafını haznenin tutucu plakası ile ön cidarı arasına sokun.

- **Şek.13:** 1. Tutucu plaka 2. Haznenin ön cidarı 3. Polietilen torba

Torbanın diğer üst kenarlarını haznenin üst kenarlarının üzerinden dışarı doğru yayın. Torbanın ağzını sıkıca bağlamak için polietilen torbanın üzerine ön filtreyi yerleştirin.

- **Şek.14:** 1. Ön filtre

NOT: Piyasada bulunan polietilen torbalar kullanılabilir. 0,04 mm ya da daha kalın olanları tavsiye edilir.

NOT: Çok fazla toz toplanması torbanın kolayca yırtılmasına neden olur, bu sebeple torba kapasitesinin yarısından fazlasını geçmeyecek kadar toz toplayın.

Polietilen torbalı hazneyi boşaltma

⚠ UYARI: Hazneyi boşaltmadan önce süpürgeci kapalı ve batarya kartuşlarının çıkarılmış olduğundan daima emin olun. Aksi takdirde elektrik çarpmasına ve ciddi yaralanmalara sebep olabilir.

ÖNEMLİ NOT: Hazneye çok fazla kuvvet uygulamayın. Fazla kuvvet uygulamak parçaların deforme olmasına ve zarar görmesine neden olabilir.

ÖNEMLİ NOT: Hazneyi en azından günde bir kez boşaltın, yine de bu durum haznedeki biriken toz miktarına bağlı olarak değişebilir. Aksi takdirde emiş gücü azalabilir ve motor bozulabilir.

ÖNEMLİ NOT: Hazneyi boşaltırken kancaların veya mandalların tutmayın. Kancaların veya mandalların tutulması kırılmalarına neden olabilir.

Kilitleme mandallarını açın ve kafa ünitesini haznedeki kaldırarak çıkarın.

Filtreyi haznedeki kaldırarak çıkarmadan önce ön filtrenin tozunu silkeleyin.

Ardından polietilen torbayı, torbanın ağzını elinizle kapatarak haznedeki çıkarın.

- **Şek.15:** 1. Polietilen torba 2. Hazne

NOT: Haznenin içindeki kenarların çizmesini ve yırtmasını engellemek için polietilen torbayı haznedeki dikkatlice çıkarın.

NOT: Polietilen torbayı dolmadan önce boşaltın. Haznedeki çok fazla toz birikmesi polietilen torbanın yırtılmasına neden olabilir.

Çoklu kancayı takma

Kullanılmıyorsa olmayan hortum, aksesuarlar ve ek parçaları yerinde tutmak için çoklu kancayı kullanın, böylece tercihinize göre bunları çabucak alabilirsiniz.

- **Şek.16**

Çoklu kancayı, süpürgeci arkasındaki montaj kaidesinin üzerine, çoklu kancanın üzerindeki rayları montaj kaidesinin üzerindeki kanallara oturarak yerleştirin.

- **Şek.17:** 1. Çoklu kanca 2. Montaj kaidesi

MAKPAC adaptörünü takma

İsteğe bağlı aksesuar

Takılabilir ve istiflenebilir MAK PAC depolama çantaları isteğe bağlı bir adaptörle süpürge'nin üst kısmına takılabilir. Çantalar tercihlerinize uyacak şekilde pek çok boyutta ve tarzda mevcuttur.

Montaj kaidesi kancasını, sap kapalı konuma katlandığında montaj yüzeyi yukarı bacak şekilde süpürge'nin sapının üzerine yerleştirin.

- **Şek.18:** 1. Montaj kaidesi kancası 2. Montaj yüzeyi 3. Sap

MAKPAC adaptörünü montaj kaidesi kancasının üzerine monte edin ve bunları verilen dört vida ile sabitleyin.

- **Şek.19:** 1. MAK PAC adaptörü 2. Montaj kaidesi kancası 3. Vida

Süpürge'nin üzerine MAK PAC çantalar takmak için hazırlamak üzere çekme kolunu yukarı kaldırın ve topuzu sıkın.

- **Şek.20:** 1. Çekme kolu 2. Topuz

NOT: MAK PAC çantaları takma konusunda daha fazla bilgi için MAK PAC adaptörü ve çantalar ile verilen talimatlara bakın.

Hortumu takma

ÖNEMLİ NOT: Hortumu zorlayarak bükmeye veya ezmeye çalışmayın. Süpürgeyi asla hortumundan tutarak taşımayın. Hortumu zorlamak, ezme veya çekme hortumun kırılmasına veya deforme olmasına neden olabilir.

ÖNEMLİ NOT: Planya döküntüleri, inşaat tozları gibi büyük atıkları veya bunlara benzeyen, küçük sayılamayacak atıkları çekerken 38 mm iç çaplı hortumu (isteğe bağlı aksesuar) kullanın. 28 mm iç çaplı hortumun (isteğe bağlı aksesuar) kullanılması hortumun tıkanmasına ve zarar görmesine neden olabilir.

Süpürge bağlantısı

Hortumun ucunu süpürge'nin toz girişine (hortum girişi) takın, ardından yerine kilitlene kadar saat yönünde çevirin.

- **Şek.21:** 1. Hortum 2. Toz girişi (hortum girişi)

İş aletleriyle bağlantılar (Ülkeye özgü)

Elektrikli süpürge, süpürge ile uyumlu mevcut herhangi bir iş aletine bağlandığında elektrikli aletiniz için bir toz çekici olarak çalışır.

Aletinizin modeline en uygun ön manşet veya rakorlardan (isteğe bağlı aksesuarlar) birini seçin. Süpürge hortumunun ön ucu ile aletinizin toz çekme ağzının arasına gereken şekilde manşet veya rakor yerleştirin.

- **Şek.22:** 1. Ön manşet veya rakor 2. Süpürge hortumu 3. Elektrikli alet 4. Elektrikli süpürge

Süpürge ek parçalarını takma veya çıkarma

⚠ DİKKAT: Bir ek parça taktıktan sonra sıkıca takılıp takılmadığını kontrol edin. Ek parça kusurlu takılırsa çıkararak yaralanmaya neden olabilir.

Kilitleme işlevsiz ek parça kullanırken

İsteğe bağlı aksesuar

Ek parçayı süpürge'nin emme ağzına ittirip elinizle yerine vidalayarak takın. Kullandıktan sonra ek parçayı çevirerek emme ağzından çekip çıkarın.

- **Şek.23**

Kilitleme işlevli ek parçalar

İsteğe bağlı aksesuar

ÖNEMLİ NOT: Kilitleme işlevli ek parçayı takarken serbest bırakma düğmesini ek parça üzerindeki kanca ile mutlaka hizalayın. Hizalanmazlarsa ek parça kilitlemez ve süpürge'den çıkabilir.

Ek parçayı süpürge'nin emme ağzına, bir tık sesi ile bunları birbirine ittirerek takın.

Ek parçayı çıkarmak için serbest bırakma düğmesine basarak çekip çıkarın.

- **Şek.24:** 1. Kilitleme işlevli emme ağzı 2. Serbest bırakma düğmesi 3. Kilitleme işlevli ek parça

NOT: Kilitleme işlevli ek parça yalnızca kilitleme işlevli emme ağzına takılabilir.

- **Şek.25:** 1. Kilitleme işlevli ek parça 2. Kilitleme işlevli emme ağzı 3. Kilitleme işlevsiz emme ağzı

Kayar tip uzatma çubuğunun uzunluklarını ayarlama

İsteğe bağlı aksesuar

Kısa ve uzun uzunluklar için bir kayar tip uzatma çubuğu birleştirilebilir. Bu, ulaşılması zor alanların temizlenmesini ve rahat konumlandırma seçenekleri sağlar.

Çubuk uzunluklarını değiştirmek için kaydırma düğmesine basıp basılı tutarken kayar boruyu içeri veya dışarı çekin.

Kayar boruyu istediğiniz konumda kilitlemek için kaydırma düğmesini bırakın.

- **Şek.26:** 1. Kayar boru 2. Kaydırma düğmesi

KABLOSUZ ÇALIŞTIRMA İŞLEVİ

Kablosuz çalıştırma işlevi ile yapabileceğiniz

Kablosuz çalıştırma işlevi temiz ve rahat kullanım sağlar. Süpürgeye desteklenen bir alet bağlayarak süpürgeyi aletin anahtarla çalıştırılması ile birlikte çalıştırabilirsiniz.

► **Şek.27**

ÖNEMLİ NOT: Süpürgeyi kablosuz çalıştırma işlevi ile kullanırken mutlaka aletin kullanma kılavuzuna bakın.

ÖNEMLİ NOT: Kablosuz ünitesini parçalarına ayırmayın veya kurcalamayın.

ÖNEMLİ NOT: Kablosuz ünitesi yuvasına toz girmesini engellemek için kullanma ve depolama sırasında kapağı daima sıkıca kapatın.

ÖNEMLİ NOT: Güç beslenirken kablosuz ünitesini çıkarmayın. Aksi takdirde kablosuz ünitesi arızalanabilir.

ÖNEMLİ NOT: Kablosuz çalıştırma düğmesine çok sert basmayın ve/veya düğmeye keskin uçlu bir cisim ile basmayın.

NOT: Kablosuz çalıştırma, kablosuz ünitesi ile donatılmış Makita aletler gerektirir.

NOT: Kablosuz çalıştırma işlevini her aletle ilk kez kullanmadan önce alet kaydı gerekir. Aletle kayıt tamamlandığında iptal edilmediği sürece tekrar kayıt gerekmez.

NOT: Kayıttan önce kablosuz ünitesinin düzgün bir şekilde takıldığından emin olun.

NOT: Bir kablosuz ünitesi başka kablosuz üniteleriyle 10'a kadar bağlantı kaydı yapılabilir. Bir kablosuz ünitesine 10'dan fazla başka kablosuz ünitesi kayıt edilirse en önce kaydedilen otomatik olarak iptal edilir.

NOT: Kablosuz çalıştırma düğmesinin konumu alete göre değişiklik gösterir.

NOT: Süpürge, hazırda bekletme anahtarı "AUTO" (Oto) konumundayken açma kapama düğmesine basılarak da çalışır.

Ancak, kablosuz çalıştırma işlevi kullanılırken açma kapama düğmesi çalışmaz.

Kablosuz ünitesinin takılması

⚠ DİKKAT: Kablosuz ünitesini takarken süpürgeyi düz ve dengeli bir zemine yerleştirin.

ÖNEMLİ NOT: Kablosuz ünitesini takmadan önce süpürge üzerindeki toz ve kiri temizleyin. Toz veya kir, kablosuz ünitesinin yuvasına girerse arızaya neden olabilir.

ÖNEMLİ NOT: Statik elektrik kaynaklı arızaları engellemek için kablosuz ünitesini almadan önce metal parça gibi statik deşarj özellikli bir materyale dokununuz.

ÖNEMLİ NOT: Kablosuz ünitesini takarken kablosuz ünitesinin doğru yönde sokulduğundan ve kapağın tamamen kapatıldığından mutlaka emin olun.

1. Süpürge üzerindeki kapağı şekilde gösterildiği gibi açın.

► **Şek.28:** 1. Kapak

2. Kablosuz ünitesini yuvaya sokun ve daha sonra kapağı kapatın.

Kablosuz ünitesini sokarken çıkıntıları yuva üzerindeki girintili kısımlarla hizalayın.

► **Şek.29:** 1. Kablosuz ünitesi 2. Çıkıntı 3. Kapak 4. Girintili kısım

Kablosuz ünitesini çıkarırken kapağı yavaşça açın. Kapağın arka kısmındaki kancalar, kapağı yukarı çektiğinizde kablosuz ünitesini kaldıracaktır.

► **Şek.30:** 1. Kablosuz ünitesi 2. Kanca 3. Kapak

Kablosuz ünitesini çıkardıktan sonra ürünle verilen kutusunda veya anti-statik bir kaptaki saklayın.

ÖNEMLİ NOT: Kablosuz ünitesini çıkarırken daima kapağın arka kısmındaki kancaları kullanın. Kancalar kablosuz ünitesini yakalamazsa kapağı tamamen kapatın ve yavaşça tekrar açın.

Süpürge için alet kaydı

NOT: Alet kaydı için kablosuz çalıştırma işlevini destekleyen bir Makita alet gerekir.

NOT: Alet kaydına başlamadan önce kablosuz ünitesini alete takmayı bitirin.

NOT: Alet kaydı sırasında aletin üzerindeki anahtar tetiği çekmeyin veya süpürge üzerindeki güç düğmesini açmayın.

NOT: Aletin kullanma kılavuzuna da bakın.

Süpürgeyi aletin anahtarla çalıştırılması ile birlikte çalıştırmak isterseniz önceden alet kaydını tamamlayın.

1. Kablosuz ünitelerini sırasıyla süpürge ve alete takın.

2. Süpürge ve alete bataryaları takın.

3. Süpürge üzerindeki hazırda bekletme anahtarını "AUTO" (Oto) konumuna alın.

► **Şek.31:** 1. Hazırda bekletme anahtarı

4. Kablosuz çalıştırma lambası yeşil yanıp sönmeye kadar süpürge üzerindeki kablosuz çalıştırma düğmesine 3 saniye süreyle basın. Daha sonra aletin üzerindeki kablosuz çalıştırma düğmesine aynı şekilde basın.

► **Şek.32:** 1. Kablosuz çalıştırma düğmesi 2. Kablosuz çalıştırma lambası

Süpürge ve alet başarıyla birbirlerine bağlanırsa kablosuz çalıştırma lambaları 2 saniye süreyle yeşil yanar ve mavi yanıp sönmeye başlar.

NOT: Kablosuz çalıştırma lambaları 20 saniye geçtikten sonra yeşil yanıp sönmeyi keser. Süpürge üzerindeki kablosuz çalıştırma lambası yanıp sönmeye aletin üzerindeki kablosuz çalıştırma düğmesine basın. Kablosuz çalıştırma lambası yeşil yanıp sönmeye kablosuz çalıştırma düğmesine kısa süreli basın ve tekrar basılı tutun.

NOT: Süpürge için iki veya daha fazla alet kaydı yaparken alet kaydını birer birer tamamlayın.

Kablosuz çalıştırma işlevinin başlatılması

NOT: Kablosuz çalıştırma için süpürge de alet kaydını tamamlayın.

NOT: Süpürgeyi daima, kablosuz çalıştırma lambasının durumunu görebilecek şekilde yerleştirin.

NOT: Aletin kullanma kılavuzuna da bakın.

Süpürgeye bir aleti kaydettikten sonra süpürge, aletin anahtarla çalıştırılması ile birlikte otomatik olarak çalışır.

1. Kablosuz ünitelerini sırasıyla süpürge ve alete takın.
2. Süpürge ve alete bataryaları takın.
3. Süpürgeyi hortumunu alete bağlayın.
▶ **Şek.33**
4. Süpürge üzerindeki hazırda bekletme anahtarını "AUTO" (Oto) konumuna alın.
▶ **Şek.34:** 1. Hazırda bekletme anahtarı
5. Aletin üzerindeki kablosuz çalıştırma düğmesine kısa süreyle basın. Kablosuz çalıştırma lambası mavi yanıp söner.
▶ **Şek.35:** 1. Kablosuz çalıştırma düğmesi
2. Kablosuz çalıştırma lambası
6. Aleti açın. Alet çalışırken süpürgeyi çalıştırdığını kontrol edin.

⚠ DİKKAT: Aletle çalışmaya başlamadan önce kablosuz çalıştırma işlevinin çalıştığını daima kontrol edin.

Kablosuz çalıştırmayı durdurmak için aletin üzerindeki kablosuz çalıştırma düğmesine basın veya süpürgeyi üzerindeki hazırda bekletme anahtarını "I" veya "O" konumuna alın.

NOT: Alet üzerindeki kablosuz çalıştırma lambası, 2 saat süreyle işlem yapılmazsa mavi yanıp sönmeyi keser. Bu durumda süpürge üzerindeki hazırda bekletme anahtarını "AUTO" (Oto) konumuna alın ve aletin üzerindeki kablosuz çalıştırma düğmesine tekrar basın.

NOT: Süpürge bir gecikmeyle başlar/durur. Süpürge, aletin anahtarla çalıştırıldığını algıladığında bir gecikme söz konusu olur.

NOT: Kablosuz ünitesinin iletim mesafesi konum ve çevre şartlarına bağlı olarak değişebilir.

NOT: Tek bir süpürgeye iki veya daha fazla alet kaydedildiğinde başka bir kullanıcı kablosuz çalıştırma işlevini kullandığından aleti açmasanız bile süpürge çalışmaya başlayabilir.

Süpürge için alet kaydının iptal edilmesi

Süpürge için alet kaydını iptal ederken aşağıdaki prosedürü uygulayın.

1. Kablosuz ünitelerini sırasıyla süpürge ve alete takın.
2. Süpürge ve alete bataryaları takın.
3. Süpürge üzerindeki hazırda bekletme anahtarını "AUTO" (Oto) konumuna alın.
▶ **Şek.36:** 1. Hazırda bekletme anahtarı
4. Süpürge üzerindeki kablosuz çalıştırma düğmesine 6 saniye süreyle basın. Kablosuz çalıştırma lambası yeşil yanıp söner ve daha sonra kırmızı olur. Ondan sonra aletin üzerindeki kablosuz çalıştırma düğmesine aynı şekilde basın.
▶ **Şek.37:** 1. Kablosuz çalıştırma düğmesi
2. Kablosuz çalıştırma lambası

İptal başarıyla yapılırsa kablosuz çalıştırma lambaları 2 saniye süreyle kırmızı yanar ve mavi yanıp sönmeye başlar.

NOT: Kablosuz çalıştırma lambaları 20 saniye geçtikten sonra kırmızı yanıp sönmeyi keser. Süpürge üzerindeki kablosuz çalıştırma lambası yanıp sönerken aletin üzerindeki kablosuz çalıştırma düğmesine basın. Kablosuz çalıştırma lambası kırmızı yanıp sönmese kablosuz çalıştırma düğmesine kısa süreli basın ve tekrar basılı tutun.

Tüm alet kayıtlarının silinmesi

Tüm alet kayıtlarını süpürgeyi şu şekilde silebilirsiniz.











- ▶ **Şek.38:** 1. Hazırda bekletme anahtarı 2. Kablosuz çalıştırma düğmesi 3. Kablosuz çalıştırma lambası
1. Kablosuz ünitesini süpürgeye takın.
2. Süpürgeye bataryaları takın.
3. Hazırda bekletme anahtarını "AUTO" (Oto) konumuna alın.
4. Kablosuz çalıştırma lambası kırmızı yanıp sönmeye kadar (saniyede yaklaşık iki kez) kablosuz çalıştırma düğmesini yaklaşık 6 saniye basılı tutun.
5. Kablosuz çalıştırma lambası kırmızı yanıp sönmeye başladığında parmağınızı kablosuz çalıştırma düğmesinden çekin. Ondan sonra kablosuz çalıştırma düğmesini yeniden yaklaşık 6 saniye basılı tutun.
6. Kablosuz çalıştırma lambası hızlı bir şekilde (saniyede yaklaşık 5 kez) kırmızı yanıp sönmeye başladığında parmağınızı kablosuz çalıştırma düğmesinden çekin. Kablosuz çalıştırma lambası kırmızı yanar ve daha sonra söndüğünde tüm alet kayıtları silinir.

NOT: Kablosuz çalıştırma lambası kırmızı yanıp sönmese kablosuz çalıştırma düğmesine kısa süreli basın ve tekrar deneyin.

Kablosuz çalışma lambası durumunun açıklanması

- **Şek.39:** 1. Kablosuz çalışma düğmesi
2. Kablosuz çalışma lambası

Kablosuz çalışma lambası kablosuz çalışma işlevinin durumunu gösterir. Lamba durumunun anlamı için aşağıdaki tabloya bakın.

Durum	Kablosuz çalışma lambası			Açıklama
	Renk	 Kapalı	 Yanıp sönmüyor	
Beklemede	Mavi		Süpürge: devamlı Alet: 2 saat	Alet kaydı için bekleniyor veya kablosuz çalışma işlevi kullanılabilir. Süpürge üzerindeki lamba, hazırda bekleme anahtarı "AUTO" (Oto) konumundayken yanıp söner. Aletin üzerindeki lamba, kablosuz çalışma düğmesine basıldığında yanıp söner. 2 saat süreyle işlem yapılmazsa aletin üzerindeki lamba otomatik olarak söner.
			Alet çalışırken.	Süpürgeyi kablosuz çalıştırılması kullanılabilir ve alet çalışıyor.
Alet kaydı	Yeşil		20 saniye	Alet kaydı için hazır. Kaydedilecek alet aranıyor.
			2 saniye	Alet kaydı tamamlandı. Kablosuz çalışma lambası mavi yanıp sönmeye başlar.
Alet kaydının iptal edilmesi/silinmesi	Kırmızı	 (yavaş: 2 kez/san.)	20 saniye	Alet kaydının iptali için hazır. İptal edilecek alet aranıyor.
		 (hızlı: 5 kez/san.)	Kablosuz çalışma düğmesine basıldığında.	Tüm alet kayıtlarını silmek için hazır.
			2 saniye	Alet kaydı iptal edildi/silindi. Kablosuz çalışma lambası mavi yanıp sönmeye başlar.
Diğer	Kırmızı		3 saniye	Kablosuz ünitesine güç besleniyor ve kablosuz çalışma işlevi başlıyor.
	Kapalı	-	-	Hazırda bekleme anahtarı "AUTO" (Oto) konumuna alınmamış.

Kablosuz çalıştırma işlevi için sorun giderme

Onarım için servise gitmeden önce kontrolleri yapın. Kılavuzda açıklanmayan bir problemle karşılaşırsanız aleti demonte etmeyin. Bunun yerine, Makita Yetkili Servis Merkezlerine başvurun ve daima orijinal Makita yedek parçaları kullanın.

Anormal durum	Olası nedeni (arıza)	Çözümü
Kablosuz çalıştırma lambası yanmıyor/yanıp sönmüyor.	Kablosuz ünitesi süpürgeye ve/veya alete takılmamış. Kablosuz ünitesi süpürgeye ve/veya alete hatalı takılmış.	Kablosuz ünitesini doğru takın.
	Kablosuz ünitesinin terminali ve/veya yuva kirlidir.	Kablosuz ünitesinin terminalindeki tozu ve kiri hafifçe silin ve süpürge ve/veya aletin yuvasını temizleyin.
	Aletin üzerindeki kablosuz çalıştırma düğmesine basılmamış.	Aletin üzerindeki kablosuz çalıştırma düğmesine kısa süreyle basın.
	Süpürge üzerindeki hazırda bekletme anahtarı "AUTO" (Oto) konumuna alınmamış.	Süpürge üzerindeki hazırda bekletme anahtarını "AUTO" (Oto) konumuna alın.
	Güç beslemesi yok	Alete ve süpürgeye güç besleyin.
Alet kaydı / alet kaydı iptali başarıyla tamamlanamıyor.	Kablosuz ünitesi süpürgeye ve/veya alete takılmamış. Kablosuz ünitesi süpürgeye ve/veya alete hatalı takılmış.	Kablosuz ünitesini doğru takın.
	Kablosuz ünitesinin terminali ve/veya yuva kirlidir.	Kablosuz ünitesinin terminalindeki tozu ve kiri hafifçe silin ve süpürge ve/veya aletin yuvasını temizleyin.
	Süpürge üzerindeki hazırda bekletme anahtarı "AUTO" (Oto) konumuna alınmamış.	Süpürge üzerindeki hazırda bekletme anahtarını "AUTO" (Oto) konumuna alın.
	Güç beslemesi yok	Alete ve süpürgeye güç besleyin.
	Hatalı çalışma	Kablosuz çalıştırma düğmesine kısa süreyle basın ve alet kaydı/iptal prosedürlerini yeniden uygulayın.
	Alet ve süpürge birbirlerinden uzakta (iletim aralığının dışında).	Aleti ve süpürgeyi birbirlerine yaklaştırın. Maksimum iletim mesafesi yaklaşık 10 m'dir, ancak şartlara bağlı olarak değişebilir.
	Alet kaydı/iptalini tamamlamadan önce; - aletin anahtarı açılıyor veya; - süpürge üzerindeki güç düğmesi açılıyor.	Kablosuz çalıştırma düğmesine kısa süreyle basın ve alet kaydı/iptal prosedürlerini yeniden uygulayın.
	Alet veya süpürge için alet kaydı prosedürleri tamamlanmamış.	Alet ve süpürge için alet kaydı prosedürlerini aynı zamanda uygulayın.
	Yüksek güçte radyo dalgaları üreten diğer cihazlardan radyo paraziti.	Aleti ve süpürgeyi, Wi-Fi cihazları ve mikrodalga fırınlar gibi cihazlardan uzak tutun.
Süpürge, aletin anahtarla çalıştırılması ile birlikte çalışmıyor.	Kablosuz ünitesi süpürgeye ve/veya alete takılmamış. Kablosuz ünitesi süpürgeye ve/veya alete hatalı takılmış.	Kablosuz ünitesini doğru takın.
	Kablosuz ünitesinin terminali ve/veya yuva kirlidir.	Kablosuz ünitesinin terminalindeki tozu ve kiri hafifçe silin ve süpürge ve/veya aletin yuvasını temizleyin.
	Aletin üzerindeki kablosuz çalıştırma düğmesine basılmamış.	Kablosuz çalıştırma düğmesine kısa süreyle basın ve kablosuz çalıştırma lambasının mavi yanıp söndüğünü kontrol edin.
	Süpürge üzerindeki hazırda bekletme anahtarı "AUTO" (Oto) konumuna alınmamış.	Süpürge üzerindeki hazırda bekletme anahtarını "AUTO" (Oto) konumuna alın.
	Süpürgeye 10'dan fazla alet kayıtlı.	Alet kaydını yeniden yapın. Süpürgeye 10'dan fazla alet kaydedilir ise ilk kaydedilen alet otomatik olarak iptal edilir.
	Süpürge tüm alet kayıtlarını silmiş.	Alet kaydını yeniden yapın.
	Güç beslemesi yok	Alete ve süpürgeye güç besleyin.
	Alet ve süpürge birbirlerinden uzakta (iletim aralığının dışında).	Aleti ve süpürgeyi birbirlerine yaklaştırın. Maksimum iletim mesafesi yaklaşık 10 m'dir, ancak şartlara bağlı olarak değişebilir.
	Yüksek güçte radyo dalgaları üreten diğer cihazlardan radyo paraziti.	Aleti ve süpürgeyi, Wi-Fi cihazları ve mikrodalga fırınlar gibi cihazlardan uzak tutun.
	Alet çalışmıyorken süpürge çalışıyor.	Diğer kullanıcılar, süpürge kablosuz çalıştırılmasını kendi aletleriyle kullanıyor.

Anormal durum	Olası nedeni (arıza)	Çözümü
Süpürgedeki tüm alet kayıtları silinmiyor.	Aletin üzerindeki kablosuz düğmesine basılması.	Tüm alet kayıtlarını silmek için süpürge üzerindeki kablosuz düğmesine basın.
	Süpürge üzerindeki hazırda bekletme anahtarı "AUTO" (Oto) konumuna alınmamış.	Süpürge üzerindeki hazırda bekletme anahtarını "AUTO" (Oto) konumuna alın.
	Kablosuz çalıştırma düğmesi düzgün bir şekilde basılı tutulmuyor.	Kablosuz çalıştırma düğmesini en az 6 saniye basılı tutun ve daha sonra kablosuz çalıştırma lambası kırmızı yanıp söndüğünde bırakın. Kablosuz çalıştırma düğmesi hızlı bir şekilde kırmızı yanıp söne kadar kablosuz çalıştırma düğmesini yeniden en az 6 saniye basılı tutun ve daha sonra düğmeyi bırakın.

BAKIM

⚠ DİKKAT: Kontrol ya da bakım yapmadan önce cihazın kapalı ve batarya kartuşlarının çıkarılmış olduğundan daima emin olun.

ÖNEMLİ NOT: Benzin, tiner, alkol ve benzeri maddeleri kesinlikle kullanmayın. Renk değişimi, deformasyon veya çatlaklar oluşabilir.

Aleti EMNİYETLİ ve ÇALIŞMAYA HAZIR durumda tutmak için onarımlar, başka her türlü bakım ve ayarlamalar daima Makita yedek parçaları kullanılarak Makita yetkili servis merkezleri veya Fabrikanın Servis Merkezleri tarafından yapılmalıdır.

Aksesuarların saklanması

Emme başlığı ve fırça gibi kullanımda olmayan aksesuarlar ve ek parçalar, süpürgeğin arkasındaki çoklu kancaya asılarak saklanabilir.

► **Şek.40:** 1. Çoklu kanca 2. Kullanımda olmayan aksesuarlar ve ek parçalar

Süpürge kısa bir süre için kullanılmıyacaksa borular (isteğe bağlı durdurucu takılı durumda) boru tutucuya yerleştirilebilir.

► **Şek.41:** 1. Durdurucu (isteğe bağlı aksesuar) 2. Boru tutucu

Bir hortum süpürgeğin gövdesinin veya sapının etrafına büyük halkalar şeklinde sarılıp saklanabilir. Halkalar oluşturmak için her iki ucunu birbirine bağlayın ve halkaları kaldırılmış sapa geçirin. Alternatif olarak çıkış ucunu hortum girişine takılı tutun ve halkaları boştaki uç bağlanmış olarak çoklu kancaya asın.

► **Şek.42**

► **Şek.43**

Toz filtresinin (HEPA) ve ön filtrenin temizlenmesi

Tikalı filtreler ve tampon düşük emme performansına neden olabileceğinden toz filtresi, ön filtre ve tamponu düzenli aralıklarla temizleyin.

Filtrelerin ve tamponun tozunu düzenli olarak elinizle vurarak silkeleyin.

► **Şek.44:** 1. Ön filtre

► **Şek.45:** 1. Tampon 2. Toz filtresi (HEPA)

Toz filtresini belirli aralıklarla suyla yıkayıp durulayın ve kullanmadan önce gölgede tamamen kurutun. Filtreleri asla çamaşır makinesinde yıkamayın.

► **Şek.46**

NOT: Toz filtresini, ön filtreyi ya da tamponu fırça veya palet gibi sert nesnelere ovmayın veya çizmeyin.

NOT: Filtreler zamanla aşınır. Yedeklerinin bulunulması tavsiye edilir.

İSTEĞE BAĞLI AKSESUARLAR

⚠ DİKKAT: Bu aksesuarlar ve ek parçalar bu el kitabında belirtilen Makita aletiniz ile kullanılmak için tavsiye edilmektedir. Herhangi başka bir aksesuar ya da ek parça kullanılması insanlar için bir yaralanma riski getirebilir. Aksesuarları ya da ek parçaları yalnızca belirtilmiş olan kullanım amaçlarına uygun olarak kullanın.

Bu aksesuarlarla ilgili daha fazla bilgiye ihtiyaç duyar-sanız bulunduğunuz yerdeki yetkili Makita servisine başvurun.

- Hortum
- Ön manşetler (22, 24, 38)
- Düz boru
- Uzatma çubuğu
- Köşe emme başlığı
- Yuvarlak fırça
- Toz filtresi, HEPA (kuru tozlar için)
- Tampon
- Ön filtre
- Emme başlığı tertibatı
- Eğik boru
- Polietilen torba
- Kağıt torba
- MAKPAC adaptörü
- Kablosuz ünitesi
- Orijinal Makita batarya ve şarj aleti

NOT: Listedeki parçaların bazıları alet paketi içerisinde standart aksesuar olarak dahil edilmiş olabilir. Bunlar ülkeden ülkeye farklılık gösterebilir.

Makita Europe N.V. Jan-Baptist Vinkstraat 2,
3070 Kortenberg, Belgium

Makita Corporation 3-11-8, Sumiyoshi-cho,
Anjo, Aichi 446-8502 Japan

www.makita.com

885913A991
EN, FR, DE, IT, NL,
ES, PT, DA, EL, TR
20211222