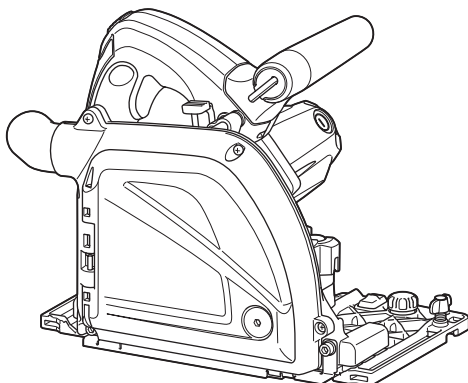




EN	Aluminum Groove Cutter	INSTRUCTION MANUAL	6
FR	Fraiseuse Alu	MANUEL D'INSTRUCTIONS	13
DE	Plattenfräse	BETRIEBSANLEITUNG	20
IT	Scanalatore per alluminio	ISTRUZIONI PER L'USO	28
NL	Aluminiumgroefzaag	GEBRUIKSAANWIJZING	36
ES	Ranuradora de Aluminio	MANUAL DE INSTRUCCIONES	44
PT	Fresadora de Alumínio	MANUAL DE INSTRUÇÕES	52
DA	Rilleskærer til aluminium	BRUGSANVISNING	59
EL	Κόπτης αυλακώσεων σε αλουμίνιο	ΕΓΧΕΙΡΙΔΙΟ ΟΔΗΓΙΩΝ	66
TR	Alüminyum Oluk Açma Makinası	KULLANMA KILAVUZU	74

CA5000



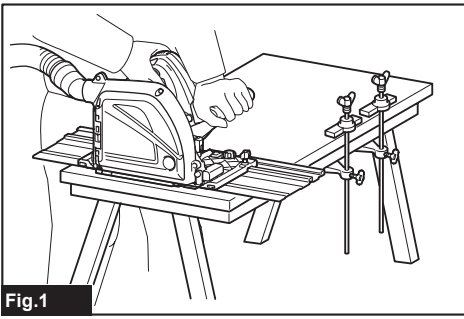


Fig.1

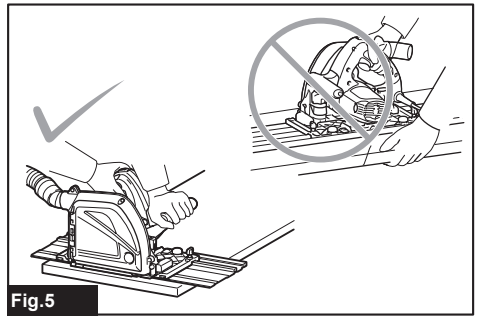


Fig.5

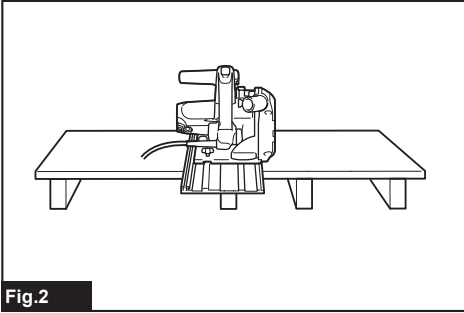


Fig.2

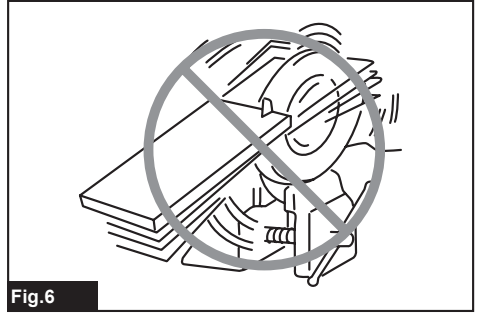


Fig.6

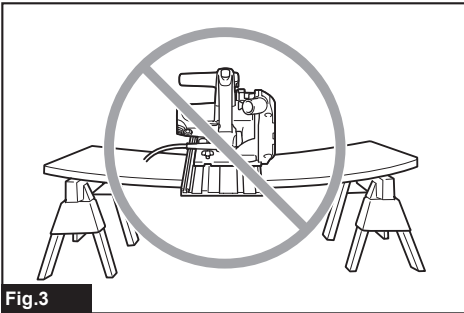


Fig.3

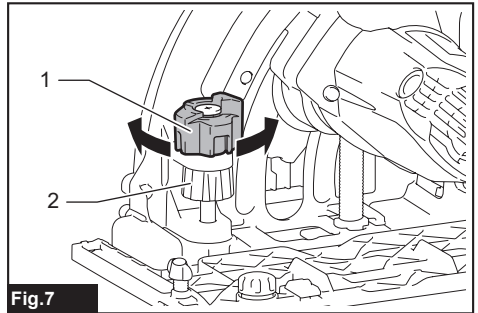


Fig.7

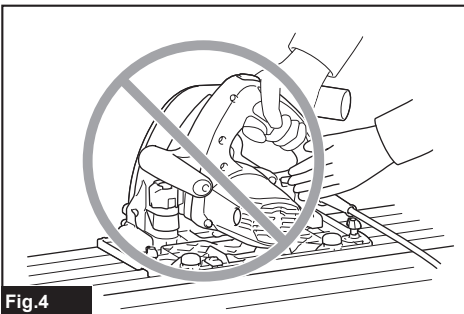


Fig.4

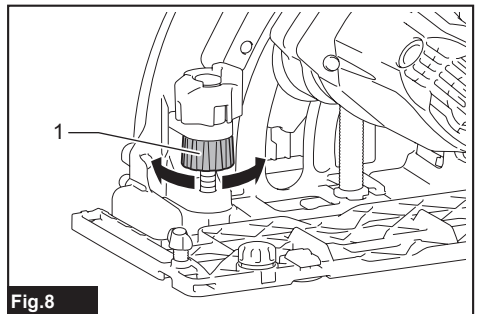


Fig.8

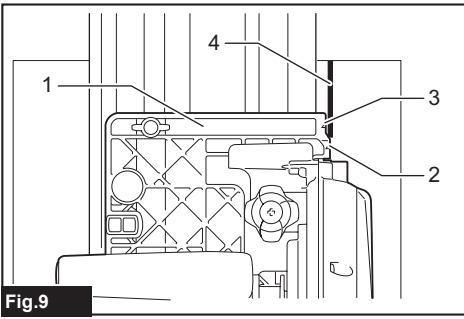


Fig.9

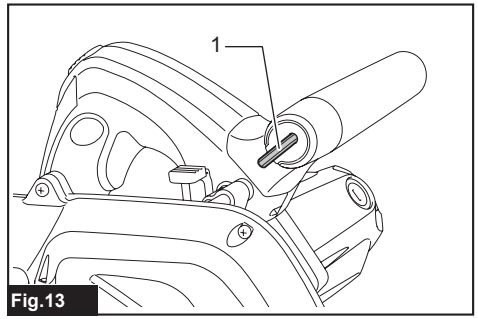


Fig.13

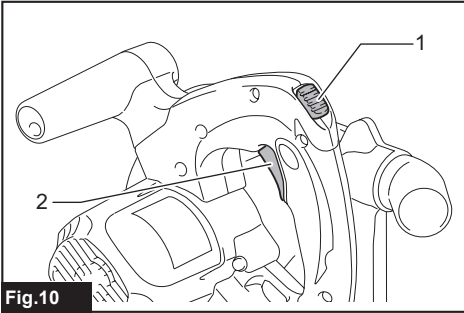


Fig.10

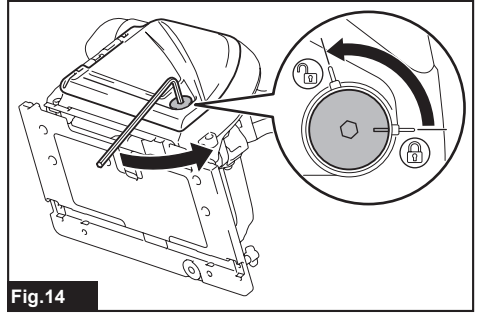


Fig.14

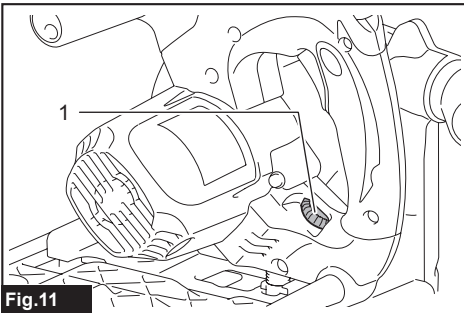


Fig.11

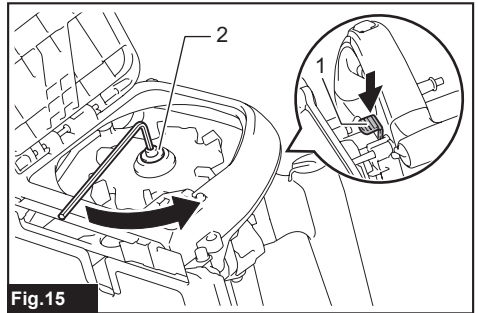


Fig.15

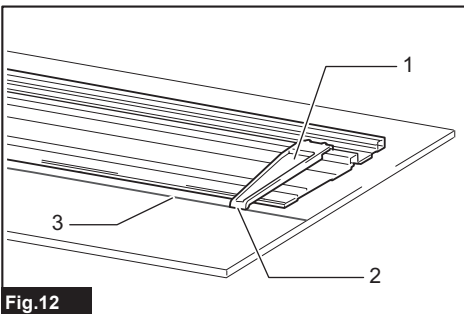


Fig.12

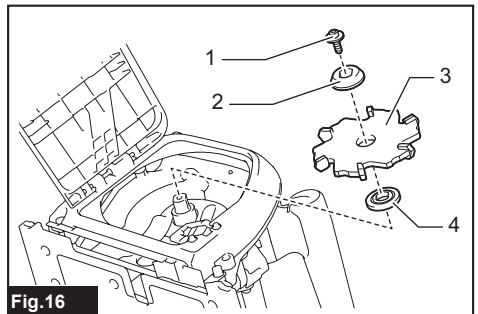


Fig.16

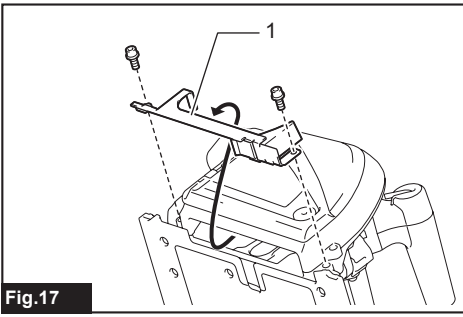


Fig.17

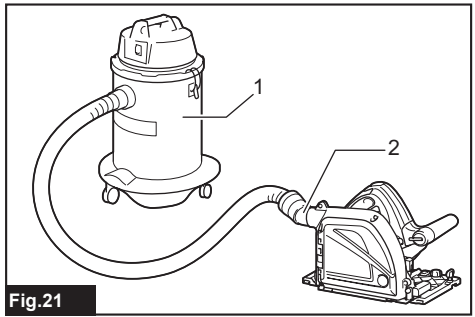


Fig.21

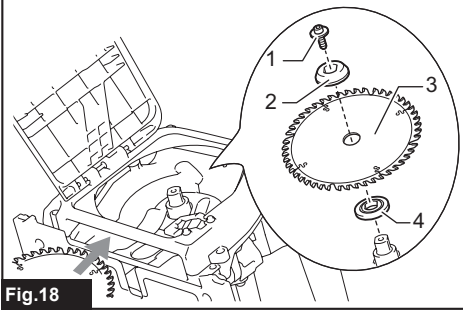


Fig.18

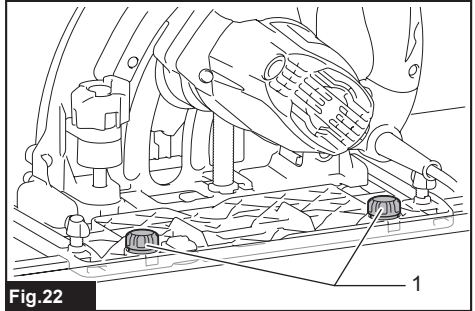


Fig.22

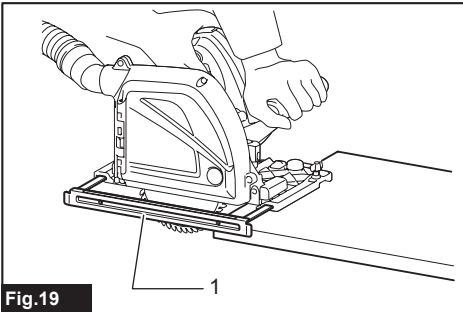


Fig.19

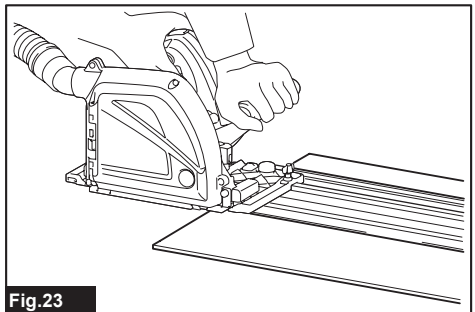


Fig.23

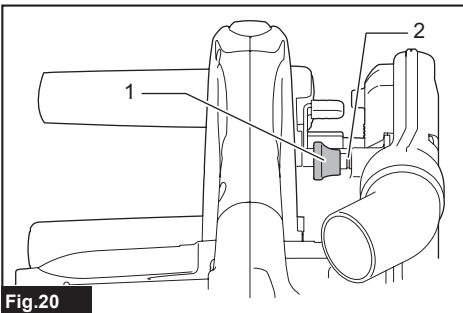


Fig.20

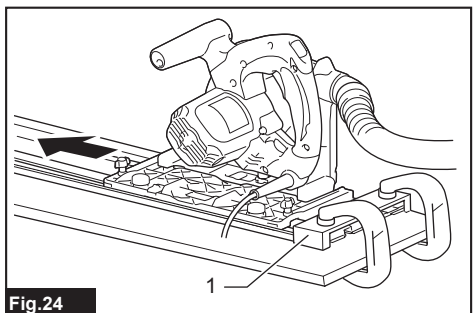
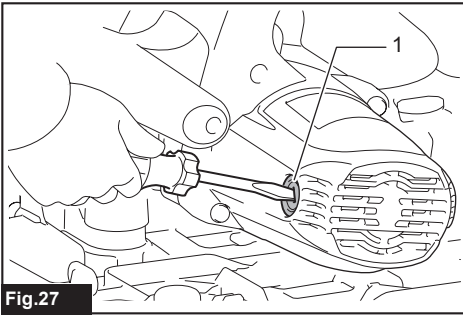
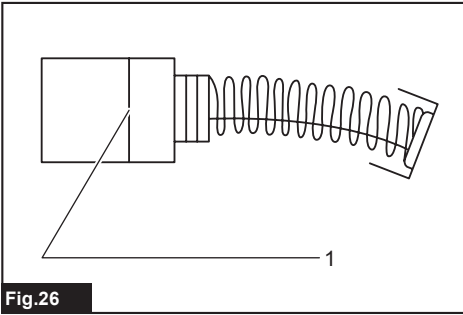
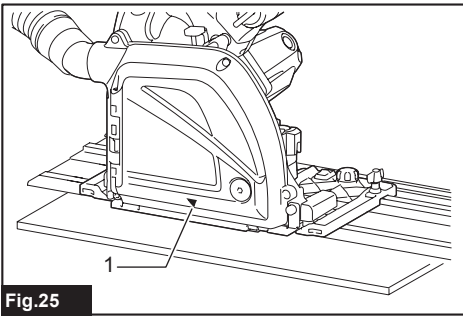


Fig.24









SPECIFICATIONS

Model:	CA5000
Groove cutter blade diameter	118.0 mm
Circular saw blade diameter	165.0 mm
Max. cutting depth (with groove cutter blade)	11.0 mm
Max. cutting depth (with circular saw blade)	36.0 mm
No load speed	2,200 - 6,400 min ⁻¹
Overall length	346 mm
Net weight	4.7 kg
Safety class	□/II

- Due to our continuing program of research and development, the specifications herein are subject to change without notice.
- Specifications may differ from country to country.
- Weight according to EPTA-Procedure 01/2014

Symbols

The followings show the symbols which may be used for the equipment. Be sure that you understand their meaning before use.

	Read instruction manual.
	DOUBLE INSULATION
	Wear safety glasses.
	Groove cutter blade
	Circular saw blade
	Only for EU countries Do not dispose of electric equipment together with household waste material! In observance of the European Directive, on Waste Electric and Electronic Equipment and its implementation in accordance with national law, electric equipment that have reached the end of their life must be collected separately and returned to an environmentally compatible recycling facility.

Intended use

The tool is specially intended for cutting groove into composite boards made from aluminum, plastic, mineral contained plastic, and similar materials. If the tool is equipped with proper circular saw blade, the tool can be used for sawing wood and aluminum.

Power supply

The tool should be connected only to a power supply of the same voltage as indicated on the nameplate, and can only be operated on single-phase AC supply. They are double-insulated and can, therefore, also be used from sockets without earth wire.

Noise

The typical A-weighted noise level determined according to EN62841:

Sound pressure level (L_{pA}) : 88 dB(A)

Sound power level (L_{WA}) : 99 dB (A)

Uncertainty (K) : 3 dB(A)

NOTE: The declared noise emission value(s) has been measured in accordance with a standard test method and may be used for comparing one tool with another.

NOTE: The declared noise emission value(s) may also be used in a preliminary assessment of exposure.

▲WARNING: Wear ear protection.

▲WARNING: The noise emission during actual use of the power tool can differ from the declared value(s) depending on the ways in which the tool is used especially what kind of workpiece is processed.

▲WARNING: Be sure to identify safety measures to protect the operator that are based on an estimation of exposure in the actual conditions of use (taking account of all parts of the operating cycle such as the times when the tool is switched off and when it is running idle in addition to the trigger time).

Vibration

The vibration total value (tri-axial vector sum) determined according to EN62841:

Work mode: aluminum composite material groove cutting

Vibration emission ($a_{h,w}$): 2.5 m/s² or less

Uncertainty (K): 1.5 m/s²

Work mode: cutting wood

Vibration emission ($a_{h,w}$): 2.5 m/s² or less

Uncertainty (K): 1.5 m/s²

Work mode: cutting metal

Vibration emission ($a_{h,M}$): 2.5 m/s² or less

Uncertainty (K): 1.5 m/s²

NOTE: The declared vibration total value(s) has been measured in accordance with a standard test method and may be used for comparing one tool with another.

NOTE: The declared vibration total value(s) may also be used in a preliminary assessment of exposure.

⚠ WARNING: The vibration emission during actual use of the power tool can differ from the declared value(s) depending on the ways in which the tool is used especially what kind of workpiece is processed.

⚠ WARNING: Be sure to identify safety measures to protect the operator that are based on an estimation of exposure in the actual conditions of use (taking account of all parts of the operating cycle such as the times when the tool is switched off and when it is running idle in addition to the trigger time).

EC Declaration of Conformity

For European countries only

The EC declaration of conformity is included as Annex A to this instruction manual.

General power tool safety warnings

⚠ WARNING: Read all safety warnings, instructions, illustrations and specifications provided with this power tool. Failure to follow all instructions listed below may result in electric shock, fire and/or serious injury.

Save all warnings and instructions for future reference.

The term "power tool" in the warnings refers to your mains-operated (corded) power tool or battery-operated (cordless) power tool.

Circular saw safety warnings

Cutting procedures

1. **⚠ DANGER:** Keep hands away from cutting area and the blade. Keep your second hand on auxiliary handle, or motor housing. If both hands are holding the saw, they cannot be cut by the blade.
2. **Do not reach underneath the workpiece.** The guard cannot protect you from the blade below the workpiece.

3. **Adjust the cutting depth to the thickness of the workpiece.** Less than a full tooth of the blade teeth should be visible below the workpiece.
4. **Never hold the workpiece in your hands or across your leg while cutting. Secure the workpiece to a stable platform.** It is important to support the work properly to minimise body exposure, blade binding, or loss of control.

► Fig.1

5. **Hold the power tool by insulated gripping surfaces, when performing an operation where the cutting tool may contact hidden wiring or its own cord.** Contact with a "live" wire will also make exposed metal parts of the power tool "live" and could give the operator an electric shock.
6. **When ripping, always use a rip fence or straight edge guide.** This improves the accuracy of cut and reduces the chance of blade binding.
7. **Always use blades with correct size and shape (diamond versus round) of arbour holes.** Blades that do not match the mounting hardware of the saw will run off-centre, causing loss of control.
8. **Never use damaged or incorrect blade washers or bolt.** The blade washers and bolt were specially designed for your saw, for optimum performance and safety of operation.

Kickback causes and related warnings

- kickback is a sudden reaction to a pinched, jammed or misaligned saw blade, causing an uncontrolled saw to lift up and out of the workpiece toward the operator;
- when the blade is pinched or jammed tightly by the kerf closing down, the blade stalls and the motor reaction drives the unit rapidly back toward the operator;
- if the blade becomes twisted or misaligned in the cut, the teeth at the back edge of the blade can dig into the top surface of the wood causing the blade to climb out of the kerf and jump back toward the operator.

Kickback is the result of saw misuse and/or incorrect operating procedures or conditions and can be avoided by taking proper precautions as given below.

1. **Maintain a firm grip with both hands on the saw and position your arms to resist kickback forces. Position your body to either side of the blade, but not in line with the blade.** Kickback could cause the saw to jump backwards, but kickback forces can be controlled by the operator, if proper precautions are taken.
2. **When blade is binding, or when interrupting a cut for any reason, release the trigger and hold the saw motionless in the material until the blade comes to a complete stop. Never attempt to remove the saw from the work or pull the saw backward while the blade is in motion or kickback may occur.** Investigate and take corrective actions to eliminate the cause of blade binding.
3. **When restarting a saw in the workpiece, centre the saw blade in the kerf so that the saw teeth are not engaged into the material.** If a saw blade binds, it may walk up or kickback from the workpiece as the saw is restarted.

4. **Support large panels to minimise the risk of blade pinching and kickback.** Large panels tend to sag under their own weight. Supports must be placed under the panel on both sides, near the line of cut and near the edge of the panel.

► Fig.2

► Fig.3

5. **Do not use dull or damaged blades.** Unsharpened or improperly set blades produce narrow kerf causing excessive friction, blade binding and kickback.
6. **Blade depth and bevel adjusting locking levers must be tight and secure before making the cut.** If blade adjustment shifts while cutting, it may cause binding and kickback.
7. **Use extra caution when sawing into existing walls or other blind areas.** The protruding blade may cut objects that can cause kickback.
8. **ALWAYS hold the tool firmly with both hands. NEVER place your hand, leg or any part of your body under the tool base or behind the saw, especially when making cross-cuts.** If kickback occurs, the saw could easily jump backwards over your hand, leading to serious personal injury.

► Fig.4

9. **Never force the saw. Push the saw forward at a speed so that the blade cuts without slowing.** Forcing the saw can cause uneven cuts, loss of accuracy, and possible kickback.

Guard function

1. **Check the guard for proper closing before each use. Do not operate the saw if the guard does not move freely and enclose the blade instantly. Never clamp or tie the guard so that the blade is exposed.** If the saw is accidentally dropped, the guard may be bent. Check to make sure that guard moves freely and does not touch the blade or any other part, in all angles and depths of cut.
2. **Check the operation and condition of the guard return spring. If the guard and the spring are not operating properly, they must be serviced before use.** The guard may operate sluggishly due to damaged parts, gummy deposits, or a build-up of debris.
3. **Assure that the base plate of the saw will not shift while performing a "plunge cut".** Blade shifting sideways will cause binding and likely kick back.
4. **Always observe that the guard is covering the blade before placing the saw down on bench or floor.** An unprotected, coasting blade will cause the saw to walk backwards, cutting whatever is in its path. Be aware of the time it takes for the blade to stop after switch is released.

Additional safety warnings

1. **Use extra caution when cutting damp wood, pressure treated lumber, or wood containing knots.** Maintain smooth advancement of tool without decrease in blade speed to avoid overheating the blade tips and if cutting plastics, to avoid melting the plastic.

2. **Do not attempt to remove cut material when blade is moving. Wait until blade stops before grasping cut material.** Blades coast after turn off.
3. **Avoid cutting nails. Inspect for and remove all nails from lumber before cutting.**
4. **Place the wider portion of the saw base on that part of the workpiece which is solidly supported, not on the section that will fall off when the cut is made. If the workpiece is short or small, clamp it down. DO NOT TRY TO HOLD SHORT PIECES BY HAND!**

► Fig.5

5. **Before setting the tool down after completing a cut, be sure that the guard has closed and the blade has come to a complete stop.**
6. **Never attempt to saw with the circular saw held upside down in a vise. This is extremely dangerous and can lead to serious accidents.**

► Fig.6

7. **Some material contains chemicals which may be toxic. Take caution to prevent dust inhalation and skin contact. Follow material supplier safety data.**
8. **Do not stop the blades by lateral pressure on the saw blade.**
9. **Do not use any abrasive wheels.**
10. **Only use the saw blade with the diameter that is marked on the tool or specified in the manual.** Use of an incorrectly sized blade may affect the proper guarding of the blade or guard operation which could result in serious personal injury.
11. **Keep blade sharp and clean.** Gum and wood pitch hardened on blades slows saw and increases potential for kickback. Keep blade clean by first removing it from tool, then cleaning it with gum and pitch remover, hot water or kerosene. Never use gasoline.
12. **Wear a dust mask and hearing protection when use the tool.**
13. **Always use the saw blade intended for cutting the material that you are going to cut.**
14. **Only use the saw blades that are marked with a speed equal or higher than the speed marked on the tool.**
15. **(For European countries only) Always use the blade which conforms to EN847-1.**

SAVE THESE INSTRUCTIONS.

⚠WARNING: DO NOT let comfort or familiarity with product (gained from repeated use) replace strict adherence to safety rules for the subject product. MISUSE or failure to follow the safety rules stated in this instruction manual may cause serious personal injury.

FUNCTIONAL DESCRIPTION

CAUTION: Always be sure that the tool is switched off and unplugged before adjusting or checking function on the tool.

Quick stop for 3, 4, or 6 mm board thickness groove cutting

By turning the quick stop, you can choose the appropriate depth of groove cutting for 3, 4, or 6 mm board thickness swiftly. The number, seen from the handle side, indicates the workpiece board thickness.

For fine adjustment of depth of groove, use the depth adjusting knob.

► **Fig.7:** 1. Quick stop 2. Depth adjusting knob

0 mm depth is set properly when the tool is shipped from the factory, but if you changed the depth of groove by the adjusting knob, refine the 0 mm depth as follows:

1. Turn the quick stop to 0 mm.
2. Turn the depth adjusting knob to adjust the depth.
3. Make sure that the blade does not make any contact with work piece.
4. Hold the tool firmly with one hand on the front grip and the other on the tool handle. Push in the lock-off button, and turn the tool on.
5. Slowly press down the saw head fully, and check whether the groove cutter blade does not contacts but almost touches the workpiece. If not, stop the tool and wait until the groove cutter blade stops completely, and adjust the depth by turning the depth adjusting knob again.

Adjusting depth of cut

To adjust depth of cut, turn the depth adjusting knob. For deeper cut, turn it clockwise. For shallower cut, turn it counterclockwise.

► **Fig.8:** 1. Depth adjusting knob

Sighting

Triangular mark on the base indicates the center of the groove cutter blade.

When using with groove cutter blade, align the outside triangular mark with the cutting line.

When using with circular saw blade (optional accessory), align the inside triangular mark with the cutting line.

► **Fig.9:** 1. Base 2. Outside triangular mark 3. Inside triangular mark 4. Cutting line

Switch action

CAUTION: Before plugging in the tool, always check to see that the switch trigger actuates properly and returns to the "OFF" position when released.

To prevent the switch trigger from being accidentally pulled, a lock-off button is provided.

To start the tool, push in the lock-off button and pull the switch trigger. Release the switch trigger to stop.

► **Fig.10:** 1. Lock-off button 2. Switch trigger

Speed adjusting dial

CAUTION: The speed adjusting dial is not for using low speed rated blades but for obtaining a speed which is suitable to material of workpiece. Use only blades which are rated for at least the maximum no load speed stated in the SPECIFICATIONS.

CAUTION: The speed adjusting dial can be turned only as far as 6 and back to 1. Do not force it past 6 or 1, or the speed adjusting function may no longer work.

The tool speed can be adjusted by turning the adjusting dial. Higher speed is obtained when the dial is turned in the direction of number 6; lower speed is obtained when it is turned in the direction of number 1.

Refer to the table to select the proper speed for the workpiece to be cut. However, the appropriate speed may differ with the type or thickness of the workpiece. In general, higher speeds will allow you to cut workpieces faster but the service life of the blade will be reduced.

Number	min ⁻¹
1	2,200
2	2,700
3	3,800
4	4,900
5	6,000
6	6,400

► **Fig.11:** 1. Speed adjusting dial

Guide plate

For aligning the guide rail (optional accessory) with the cutting line, use the guide plate.

► **Fig.12:** 1. Guide plate 2. Plate edge 3. Cutting line

1. Set the guide plate onto the guide rail near from the cutting start point. The plate edge represents the center of the groove cutter blade. Align the plate edge with the cutting line.
2. Then, set again the guide plate on the guide rail near the cutting end point. And align the plate edge with the cutting line again.

Other features

The tools equipped with electronic function are easy to operate because of the following features.

Overload protector

When the load on the tool exceeds admissible levels, power to the motor is reduced to protect the motor from overheating. When the load returns to admissible levels, the tool will operate as normal.

Constant speed control

Electronic speed control for obtaining constant speed. Possible to get fine finish, because the rotating speed is kept constant even under load condition.

Soft start feature

Soft start because of suppressed starting shock.

ASSEMBLY

⚠ CAUTION: Always be sure that the tool is switched off and unplugged before carrying out any work on the tool.

Hex wrench storage

Hex wrench is stored on the tool. To remove hex wrench, just pull it out.

To install hex wrench, place it on the grip and insert it as far as it goes.

► **Fig.13:** 1. Hex wrench

Removing or installing groove cutter blade

⚠ CAUTION: Do not use blades which do not comply with the characteristics specified in these instructions.

⚠ CAUTION: Use only blades which are rated for at least the maximum no load speed stated in the SPECIFICATIONS.

⚠ CAUTION: Be sure the blade is installed with teeth pointing up at the front of the tool.

⚠ CAUTION: Use only the Makita wrench to install or remove the blade.

To remove the groove cutter blade, perform following steps:

1. Lie down the tool as the motor housing and the base touching the ground. Then insert the hex wrench into the hex hole, push it in, and open the blade case door by turning the hex wrench.

► **Fig.14**

2. Press the shaft lock fully so that the blade does not revolve, then loosen the hex bolt counterclockwise with the wrench.

► **Fig.15:** 1. Shaft lock 2. Hex bolt

3. Remove the hex bolt, outer flange and blade.

► **Fig.16:** 1. Hex bolt 2. Outer flange 3. Groove cutter blade 4. Inner flange

To install the blade, follow the removal procedure in reverse. **Be sure to tighten the hex bolt clockwise securely.** And close the blade case door after installing the blade.

When changing blade, make sure to also clean the guard of accumulated sawdust and chips as discussed in the Maintenance section. Such efforts do not replace the need to check guard operation before each use.

Using circular saw blade

Optional accessory

NOTE: In case using circular saw blade, the skirt is not needed and it structurally can not be installed. Remove the skirt when using the circular saw blade.

To install the circular saw blade (optional accessory), perform the following steps:

1. Remove two bolts, and remove the skirt.

► **Fig.17:** 1. Skirt

2. Remove the groove cutter blade.

3. Slide in the circular saw blade from the opening which the skirt had covered.

4. Install the circular saw blade in the same way as the groove cutter blade. And close the blade case door after installing the blade.

► **Fig.18:** 1. Hex bolt 2. Outer flange 3. Circular saw blade 4. Inner flange

5. Adjust depth of cut by turning the depth adjusting knob.

Rip fence (guide rule)

Optional accessory

⚠ CAUTION: Do not use the rip fence with the groove cutter blade. Use the rip fence only when using the tool with the circular saw blade (optional accessory).

► **Fig.19:** 1. Rip fence (guide rule)

The handy rip fence allows you to do extra-accurate straight cuts. Simply slide the rip fence up snugly against the side of the workpiece and secure it in position with the screws on the front and the back of the base. It also makes repeated cuts of uniform width possible.

Overturning the rip fence (guide rule) also works as a sub base for the tool.

Stopper for 2 to 3 mm depth of cut when using circular saw blade (optional accessory) and guide rail (optional accessory)

► **Fig.20:** 1. Stopper 2. Red mark

This tool has the stopper for 2 to 3 mm depth of cut on the gear housing aside the rear handle when using guide rail.

Splinter on the workpiece can be avoided by making a pass of the 2 to 3 mm first cut and then make another pass of usual cut.

First, push in the stopper toward the circular saw blade for obtaining 2 to 3 mm depth of cut.

Then pull the button back for performing free depth of cut.

Make sure that the stopper is released and the red mark can be seen for groove cutting operation.

Connecting a vacuum cleaner

For groove cutting operation, connect a Makita vacuum cleaner to your tool.

Connect a hose of the vacuum cleaner to the dust port.

► **Fig.21:** 1. Vacuum cleaner 2. Dust port

OPERATION

⚠ CAUTION: Always use a front grip and rear handle and firmly hold the tool by both front grip and rear handle during operations.

Guide rail

Optional accessory

Always use the guide rail for groove cutting operation. Place the tool on the rear end of the guide rail.

Turn two adjusting screws on the tool base so that the tool slides smoothly without a clatter.

► **Fig.22:** 1. Adjusting screws

Groove cutting

⚠ CAUTION: Be sure to move the tool forward in a straight line gently. Forcing or twisting the tool may result in overheating the motor and dangerous kickback, possibly causing severe injury.

⚠ CAUTION: Never approach any part of your body under the tool base when section cutting, especially at starting. Doing so may cause serious personal injuries. The blade is exposed under the tool base.

⚠ CAUTION: Use eye protection to avoid injury.

⚠ CAUTION: For groove cutting operation, always connect the tool to a vacuum cleaner.

⚠ CAUTION: Hold the tool firmly. The tool is provided with both a front grip and rear handle. Use both to best grasp the tool. If both hands are holding saw, they cannot be cut by the blade.

► **Fig.23**

1. Adjust the depth of cut.
2. Set the tool on the guide rail.
3. Align the guide rail along the cutting line with using the guide plate. Make sure that the blade does not make any contact with workpiece.
4. Push in the lock-off button and turn the tool on, and wait until the blade attains full speed.
5. Press down the tool slowly to the preset depth of cut, and simply move the tool forward over the workpiece surface, keeping it flat and advancing smoothly until the cutting is completed.
6. When cutting is complete, release switch, wait for blade to stop and then withdraw tool.

To get clean cuts, keep your cutting line straight and your speed of advance uniform. If the cut fails to properly follow your intended cut line, **do not attempt to turn or force the tool back to the cut line.** Doing so may bind the blade and lead to dangerous kickback and possible serious injury.

Plunge cutting (Cutting-out)

⚠ WARNING: To avoid a kickback, be sure to observe the following instructions.

1. Place the tool on the guide rail with the rear edge of tool base against a fixed stop or equivalent which is clamped on the guide rail.
► **Fig.24:** 1. Fixed stop
2. Hold the tool firmly with one hand on the front grip and the other on the tool handle. Push in the lock-off button, and turn the tool on, then wait until the blade attains full speed.
3. Press down the saw head slowly to the preset depth of cut, and move the tool forward to the desired plunge position.

NOTE: The triangular mark on the blade case shows the approximate center of the blade.

► **Fig.25:** 1. Triangular mark

MAINTENANCE

⚠ CAUTION: Always be sure that the tool is switched off and unplugged before attempting to perform inspection or maintenance.

⚠ CAUTION: Clean out the guard to ensure there is no accumulated sawdust and chips which may impede the operation of the guarding system. A dirty guarding system may limit the proper operation which could result in serious personal injury. The most effective way to accomplish this cleaning is with compressed air. **If the dust is being blown out of the guard, be sure the proper eye and breathing protection is used.**

NOTICE: Never use gasoline, benzine, thinner, alcohol or the like. Discoloration, deformation or cracks may result.

Replacing carbon brushes

► **Fig.26:** 1. Limit mark

Check the carbon brushes regularly. Replace them when they wear down to the limit mark. Keep the carbon brushes clean and free to slip in the holders. Both carbon brushes should be replaced at the same time. Use only identical carbon brushes.

1. Use a screwdriver to remove the brush holder caps.
2. Take out the worn carbon brushes, insert the new ones and secure the brush holder caps.

► **Fig.27:** 1. Brush holder cap

To maintain product SAFETY and RELIABILITY, repairs, any other maintenance or adjustment should be performed by Makita Authorized or Factory Service Centers, always using Makita replacement parts.

OPTIONAL ACCESSORIES

⚠ CAUTION: These accessories or attachments are recommended for use with your Makita tool specified in this manual. The use of any other accessories or attachments might present a risk of injury to persons. Only use accessory or attachment for its stated purpose.

If you need any assistance for more details regarding these accessories, ask your local Makita Service Center.

- Guide rail
- 90° groove cutter blade
- 135° groove cutter blade
- Guide plate
- Circular saw blade
- Rip fence (Guide rule)
- Clamp
- Hex wrench
- Sheet set for guide rail
- Rubber sheet set for guide rail
- Position sheet for guide rail
- Bevel guide set

NOTE: Some items in the list may be included in the tool package as standard accessories. They may differ from country to country.







SPÉCIFICATIONS

Modèle :	CA5000
Diamètre de la lame de fraise à rainurer	118,0 mm
Diamètre de la lame de scie circulaire	165,0 mm
Profondeur maximum de coupe (avec lame de fraise à rainurer)	11,0 mm
Profondeur maximum de coupe (avec lame de scie circulaire)	36,0 mm
Vitesse à vide	2 200 - 6 400 min ⁻¹
Longueur totale	346 mm
Poids net	4,7 kg
Catégorie de sécurité	□/II

- Étant donné l'évolution constante de notre programme de recherche et de développement, les spécifications contenues dans ce manuel sont sujettes à modification sans préavis.
- Les spécifications peuvent varier suivant les pays.
- Poids selon la procédure EPTA 01/2014

Symboles

Vous trouverez ci-dessous les symboles susceptibles d'être utilisés pour l'appareil. Veuillez à comprendre leur signification avant toute utilisation.

	Lire le mode d'emploi.
	DOUBLE ISOLATION
	Portez des lunettes de sécurité.
	Lame de fraise à rainurer
	Lame de scie circulaire
	Uniquement pour les pays de l'Union européenne Ne pas jeter les appareils électriques avec les ordures ménagères ! Conformément à la directive européenne relative aux déchets d'équipements électriques et électroniques ainsi qu'à son application en conformité avec les lois nationales, les appareils électriques qui ont atteint la fin de leur durée de service doivent être collectés séparément et renvoyés à un établissement de recyclage respectueux de l'environnement.

Utilisations

Cet outil est spécialement conçu pour couper des rainures dans les planches composites fabriquées en aluminium, plastique, plastique issu de matières minérales et matières similaires.

Si l'outil est équipé d'une lame de scie circulaire adaptée, il peut être utilisé pour scier du bois et de l'aluminium.

Alimentation

L'outil ne devra être raccordé qu'à une alimentation de la même tension que celle qui figure sur la plaque signalétique, et il ne pourra fonctionner que sur un courant secteur monophasé. Réalisé avec une double isolation, il peut de ce fait être alimenté par une prise sans mise à la terre.

Bruit

Niveau de bruit pondéré A typique, déterminé selon EN62841 :

Niveau de pression sonore (L_{pA}) : 88 dB (A)

Niveau de puissance sonore (L_{WA}) : 99 dB (A)

Incertitude (K) : 3 dB (A)

NOTE : La ou les valeurs d'émission de bruit déclarées ont été mesurées conformément à la méthode de test standard et peuvent être utilisées pour comparer les outils entre eux.

NOTE : La ou les valeurs d'émission de bruit déclarées peuvent aussi être utilisées pour l'évaluation préliminaire de l'exposition.

⚠ AVERTISSEMENT : Portez un serre-tête antibruit.

⚠ AVERTISSEMENT : L'émission de bruit lors de l'usage réel de l'outil électrique peut être différente de la ou des valeurs déclarées, suivant la façon dont l'outil est utilisé, particulièrement selon le type de pièce usinée.

⚠ AVERTISSEMENT : Les mesures de sécurité à prendre pour protéger l'utilisateur doivent être basées sur une estimation de l'exposition dans des conditions réelles d'utilisation (en tenant compte de toutes les composantes du cycle d'utilisation, comme par exemple le moment de sa mise hors tension, lorsqu'il tourne à vide et le moment de son déclenchement).

Vibrations

Valeur totale de vibrations (somme de vecteur triaxial) déterminée selon EN62841 :

Mode de travail : rainurage de matériaux composites en aluminium

Émission de vibrations (a_h) : 2,5 m/s² ou moins

Incertitude (K) : 1,5 m/s²

Mode de travail : coupe de bois

Émission de vibrations ($a_{h,w}$) : 2,5 m/s² ou moins

Incertitude (K) : 1,5 m/s²

Mode de travail : découpe de métal

Émission de vibrations ($a_{h,m}$) : 2,5 m/s² ou moins

Incertitude (K) : 1,5 m/s²

NOTE : La ou les valeurs de vibration totales déclarées ont été mesurées conformément à la méthode de test standard et peuvent être utilisées pour comparer les outils entre eux.

NOTE : La ou les valeurs de vibration totales déclarées peuvent aussi être utilisées pour l'évaluation préliminaire de l'exposition.

⚠ AVERTISSEMENT : L'émission de vibrations lors de l'usage réel de l'outil électrique peut être différente de la ou des valeurs déclarées, suivant la façon dont l'outil est utilisé, particulièrement selon le type de pièce usinée.

⚠ AVERTISSEMENT : Les mesures de sécurité à prendre pour protéger l'utilisateur doivent être basées sur une estimation de l'exposition dans des conditions réelles d'utilisation (en tenant compte de toutes les composantes du cycle d'utilisation, comme par exemple le moment de sa mise hors tension, lorsqu'il tourne à vide et le moment de son déclenchement).

Déclaration de conformité CE

Pour les pays européens uniquement

La déclaration de conformité CE est fournie en Annexe A à ce mode d'emploi.

Consignes de sécurité générales pour outils électriques

⚠ AVERTISSEMENT : Veuillez lire les consignes de sécurité, instructions, illustrations et spécifications qui accompagnent cet outil électrique. Le non-respect de toutes les instructions indiquées ci-dessous peut entraîner une électrocution, un incendie et/ou de graves blessures.

Conservez toutes les mises en garde et instructions pour référence ultérieure.

Le terme « outil électrique » dans les avertissements fait référence à l'outil électrique alimenté par le secteur (avec cordon d'alimentation) ou à l'outil électrique fonctionnant sur batterie (sans cordon d'alimentation).

Consignes de sécurité pour scie circulaire

Procédures de coupe

- ⚠ DANGER** : Gardez vos mains à l'écart de la zone de coupe et de la lame. Laissez votre deuxième main sur la poignée auxiliaire ou le carter du moteur. La lame ne risquera pas de vous couper les mains si vous les utilisez toutes les deux pour tenir la scie.
 - Ne placez aucune partie de votre corps sous la pièce à travailler.** Le carter de protection ne peut pas protéger l'utilisateur de la lame sous la pièce.
 - Réglez la profondeur de coupe suivant l'épaisseur de la pièce à travailler.** La partie de la lame visible sous la pièce à travailler doit être moindre qu'une dent de lame complète.
 - Ne tenez jamais la pièce avec les mains ou contre la jambe pendant la coupe. Fixez la pièce sur une plate-forme stable.** Il est important que la pièce soit soutenue convenablement, afin de minimiser l'exposition du corps, le grippage de la lame ou la perte de contrôle.
- Fig.1
- Tenez l'outil électrique par une surface de prise isolée, lorsque vous effectuez une tâche où l'outil de coupe pourrait toucher un câblage caché ou son propre cordon d'alimentation.** Le contact avec un fil « sous tension » mettra également « sous tension » les parties métalliques exposées de l'outil électrique, pouvant ainsi causer un choc électrique chez l'utilisateur.
 - Lors du sciage en long, utilisez toujours un guide longitudinal ou un guide de chant.** La coupe sera plus précise et cela réduira les risques de pincement de la lame.
 - Utilisez toujours des lames dont l'orifice central est de taille et de forme (diamantée ou circulaire) appropriée.** Les lames qui ne correspondent pas aux éléments de montage de la scie fonctionneront de manière décentrée, provoquant une perte de contrôle.
 - N'utilisez jamais de rondelles ou boulons de la lame endommagés ou inadéquats.** Les rondelles et le boulon de la lame ont été conçus exclusivement pour votre scie, afin d'assurer une performance optimale et une utilisation sûre.

Causes des chocs en retour et avertissements concernant ces derniers

- le choc en retour est une réaction soudaine de l'outil lorsque la lame de scie est coincée, pincée ou désalignée, et la scie, hors de contrôle, se soulève alors et quitte la pièce en se dirigeant vers l'utilisateur ;
- lorsque la lame se coince ou est pincée fermement par le trait de scie qui se referme sur elle, la lame se bloque et la réaction du moteur entraîne la projection de l'outil à grande vitesse vers l'utilisateur ;
- si la lame se tord ou se désaligne par rapport à la ligne de coupe, les dents arrière risquent de s'enfoncer dans la surface du bois et la lame de quitter le trait de scie en reculant brusquement vers l'utilisateur.

Le choc en retour est le résultat d'une mauvaise utilisation de la scie et/ou de procédures ou conditions d'utilisation incorrectes. On peut l'éviter en prenant des précautions adéquates, comme indiqué ci-dessous :

1. **Maintenez une poigne ferme à deux mains sur la scie, et placez vos bras de sorte qu'ils puissent résister à la force du choc en retour. Placez-vous d'un côté ou de l'autre de la lame, jamais dans sa ligne de coupe.** Le choc en retour peut faire bondir la scie vers l'arrière, mais la force du choc en retour peut être maîtrisée par l'utilisateur en prenant les précautions adéquates.
2. **Si la lame se pince ou si vous interrompez la coupe pour une raison quelconque, libérez la gâchette et maintenez la scie immobile dans le matériau jusqu'à l'arrêt complet de la lame. N'essayez jamais de retirer la scie de la pièce ou de la faire reculer alors que la lame tourne encore, sous peine de provoquer un choc en retour.** Identifiez la cause du pincement de la lame et prenez les mesures correctives pour y remédier.
3. **Avant de redémarrer la scie dans la pièce, centrez la lame de scie dans le trait de scie de sorte que les dents ne pénètrent pas dans le matériau.** Si une lame de scie coince, elle risque de remonter ou de reculer brutalement au moment du redémarrage de la scie.
4. **Placez un dispositif de soutien sous les grands panneaux pour réduire les risques de pincement de la lame et de choc en retour.** Les panneaux de grande dimension ont tendance à s'affaisser sous leur propre poids. Des supports doivent être installés sous le panneau, des deux côtés, près de la ligne de coupe et près du bord du panneau.

► Fig.2

► Fig.3

5. **N'utilisez pas des lames émoussées ou endommagées.** Les lames mal affûtées ou mal posées produisent un trait de scie étroit, entraînant une friction excessive, le pincement de la lame et un choc en retour.
6. **Les leviers de verrouillage de la profondeur de coupe et du réglage de coupe en biseau doivent être serrés de manière ferme et sûre avant de procéder à la coupe.** Il y a risque de pincement et de choc en retour si les réglages de la lame changent pendant la coupe.
7. **Soyez tout particulièrement prudent lorsque vous sciez dans un mur ou autre surface derrière laquelle peuvent se trouver des objets non visibles.** La lame peut causer un choc en retour en entrant en contact avec ces objets.
8. **Tenez TOUJOURS l'outil fermement à deux mains. Ne placez JAMAIS la main, la jambe ou toute autre partie du corps sous la base de l'outil ou derrière la scie, particulièrement lors de coupes transversales.** En cas de choc en retour, la scie pourrait facilement bondir vers l'arrière et passer sur votre main, vous infligeant une blessure grave.

► Fig.4

9. **Ne forcez jamais la scie. Faites avancer la scie à une vitesse permettant à la lame de tourner sans perte de vitesse.** Le fait de forcer la scie peut résulter en des coupes inégales, une perte de précision et un choc en retour.

Fonctionnement du carter de protection

1. **Avant chaque utilisation, assurez-vous que le carter de protection ferme bien. N'utilisez pas la scie si le carter de protection ne se déplace pas librement et ne se referme pas immédiatement sur la lame. Évitez d'immobiliser ou de fixer le carter de protection en exposant la lame.** Le carter de protection risque de plier si vous lâchez la scie par accident. Assurez-vous que le carter de protection se déplace librement sans entrer en contact avec la lame ou toute autre partie de l'outil, et ce quel que soit l'angle ou la profondeur de coupe.
2. **Vérifiez le fonctionnement et l'état du ressort du carter de protection. Le carter de protection et le ressort doivent être réparés avant l'utilisation s'ils ne fonctionnent pas correctement.** Le fonctionnement du carter de protection peut être ralenti par des pièces endommagées, des dépôts gluants ou l'accumulation de débris.
3. **Assurez-vous que la plaque de soutien de la scie ne se déplace pas lorsque vous effectuez une « coupe en plongée ».** Une lame se déplaçant de côté présente un risque de pincement et de choc en retour.
4. **Assurez-vous toujours que le carter de protection recouvre la lame avant de poser la scie sur l'établi ou le plancher.** Une lame non protégée et continuant à fonctionner par inertie entraînera la scie en arrière coupant tout ce qui se trouve sur sa trajectoire. N'oubliez pas qu'il faut un certain temps avant que la lame ne s'arrête une fois la gâchette relâchée.

Consignes de sécurité supplémentaires

1. **Soyez encore plus prudent pour couper du bois mouillé, du bois traité sous pression ou du bois contenant des nœuds.** Pour éviter que le tranchant de la lame ne surchauffe, faites avancer l'outil à une vitesse régulière sans ralentissement de la vitesse de rotation de la lame et si vous coupez du plastique pour éviter que le plastique fonde.
2. **N'essayez pas de retirer le matériau coupé pendant que la lame tourne. Attendez l'arrêt total de la lame avant de saisir le bout de matériau coupé.** La lame continue de tourner même une fois le contact coupé.
3. **Prenez garde aux clous pendant la coupe. Avant de couper dans le bois de construction, inspectez-le et retirez-en tous les clous.**
4. **Placez la partie la plus grande du socle de la scie sur la partie de la pièce qui est solidement soutenue, non sur celle qui tombera une fois la coupe terminée. Si la pièce est courte ou petite, placez-la dans un dispositif de serrage. N'ESSAYEZ PAS DE TENIR LES COURTES PIÈCES UNIQUEMENT AVEC LA MAIN !**

► Fig.5

5. Avant de déposer l'outil une fois la coupe terminée, assurez-vous que le carter de protection est fermé et que la lame est parfaitement immobile.
6. N'essayez jamais de scier en plaçant la scie circulaire à l'envers dans un étau. Cela est très dangereux et peut entraîner un accident grave.
 - Fig.6
7. Certains matériaux contiennent des substances chimiques qui peuvent être toxiques. Prenez les précautions nécessaires pour ne pas inhaler les poussières qu'ils dégagent et pour éviter tout contact avec la peau. Respectez les données de sécurité du fabricant du matériau.
8. N'appliquez jamais de pression latérale sur la lame de scie pour l'arrêter.
9. N'utilisez pas de disques abrasifs.
10. Utilisez uniquement une lame de scie ayant le diamètre indiqué sur l'outil ou spécifié dans le mode d'emploi. L'utilisation d'une taille incorrecte de lame peut affecter la protection de la lame ou le fonctionnement du carter de protection, ce qui pourrait provoquer de graves blessures.
11. Maintenez la lame bien affûtée et propre. Les dépôts de colle et les copeaux de bois qui durcissent contre la lame ralentissent la scie et entraînent une augmentation des risques de choc en retour. Pour nettoyer la lame, retirez-la d'abord de l'outil, puis nettoyez-la avec un décapant, de l'eau chaude ou du kérosène. N'utilisez jamais d'essence.
12. Portez un masque antipoussières et des protections d'oreilles lorsque vous utilisez l'outil.
13. Utilisez toujours la lame de scie conçue pour la coupe du matériau de travail.
14. Utilisez uniquement des lames de scie sur lesquelles est indiquée une vitesse égale ou supérieure à la vitesse figurant sur l'outil.
15. (Pour les pays européens uniquement) Utilisez toujours une lame conforme à la norme EN847-1.

CONSERVEZ CES INSTRUCTIONS.

⚠ AVERTISSEMENT : NE vous laissez PAS tromper (au fil d'une utilisation répétée) par un sentiment d'aisance et de familiarité avec le produit, en négligeant le respect rigoureux des consignes de sécurité qui accompagnent le produit en question. La MAUVAISE UTILISATION de l'outil ou l'ignorance des consignes de sécurité indiquées dans ce mode d'emploi peut entraîner de graves blessures.

DESCRIPTION DU FONCTIONNEMENT

⚠ ATTENTION : Assurez-vous toujours que l'outil est hors tension et débranché avant de l'ajuster ou de vérifier son fonctionnement.

Arrêt rapide pour le rainurage de planches de 3, 4 ou 6 mm d'épaisseur

En tournant le dispositif d'arrêt rapide, vous pouvez choisir rapidement la profondeur adéquate du rainurage pour des planches de 3, 4 ou 6 mm d'épaisseur. Le numéro, visible sur le côté de la poignée, indique l'épaisseur de la planche à travailler. Pour un réglage précis de la profondeur de la rainure, utilisez le bouton de réglage de profondeur.

► Fig.7: 1. Dispositif d'arrêt rapide 2. Bouton de réglage de profondeur

Une profondeur de 0 mm est réglée à la sortie d'usine, mais si vous modifiez la profondeur de la rainure avec le bouton de réglage, affinez la profondeur de 0 mm comme suit :

1. Tournez le dispositif d'arrêt rapide sur 0 mm.
2. Tournez le bouton de réglage de profondeur pour ajuster la profondeur.
3. Assurez-vous que la lame n'entre pas en contact avec la pièce à travailler.
4. Tenez fermement l'outil avec une main sur la poignée avant et l'autre main sur la poignée de l'outil. Enfoncez le bouton de sécurité et mettez l'outil sous tension.
5. Poussez lentement la tête de la scie à fond et vérifiez si la lame de fraise à rainurer n'entre pas en contact, mais touche presque la pièce à travailler. Le cas contraire, arrêtez l'outil et patientez jusqu'à ce que la lame de fraise à rainurer s'arrête complètement, et réglez la profondeur en tournant une nouvelle fois le bouton de réglage de profondeur.

Réglage de la profondeur de coupe

Pour régler la profondeur de coupe, tournez le bouton de réglage de profondeur.

Pour une coupe plus profonde, tournez-le dans le sens des aiguilles d'une montre. Pour une coupe moins profonde, tournez-le dans le sens inverse des aiguilles d'une montre.

► Fig.8: 1. Bouton de réglage de profondeur

Visée

Le repère triangulaire sur la base indique le centre de la lame de fraise à rainurer.

Lorsque vous utilisez la lame de fraise à rainurer, alignez le repère triangulaire externe sur le trait de coupe. Lorsque vous utilisez la lame de scie circulaire (accessoire en option), alignez le repère triangulaire interne sur le trait de coupe.

► Fig.9: 1. Base 2. Repère triangulaire externe 3. Repère triangulaire interne 4. Trait de coupe

Interrupteur

⚠ ATTENTION : Avant de brancher l'outil, assurez-vous toujours que la gâchette fonctionne correctement et revient en position d'arrêt une fois relâchée.

Un bouton de sécurité est fourni pour prévenir l'activation accidentelle de la gâchette.

Pour faire démarrer l'outil, enfoncez le bouton de sécurité et appuyez sur la gâchette.

Pour arrêter l'outil, relâchez la gâchette.

► Fig.10: 1. Bouton de sécurité 2. Gâchette

Cadran de réglage de la vitesse

⚠ ATTENTION : Le cadran de réglage de la vitesse n'est pas prévu pour l'utilisation de lames basse vitesse, mais pour obtenir une vitesse adaptée au matériau de la pièce. Utilisez uniquement des lames conçues pour au moins la vitesse à vide maximum indiquée dans les SPÉCIFICATIONS.

⚠ ATTENTION : Le cadran de réglage de la vitesse ne peut pas être tourné plus haut que 6 ou plus bas que 1. N'essayez pas de le placer au-delà de 6 ou en dessous de 1, sinon le réglage de la vitesse risque de ne plus fonctionner.

La vitesse de l'outil peut être réglée en tournant le cadran de réglage. Une vitesse plus élevée s'obtient en tournant le cadran vers le numéro 6, et une vitesse plus basse en le tournant vers le numéro 1.

Reportez-vous au tableau pour sélectionner la vitesse qui convient à la pièce à couper. La vitesse adéquate peut toutefois varier suivant le type de matériau ou l'épaisseur de la pièce. En général, les vitesses rapides permettent de couper les pièces plus rapidement, mais cela réduit la durée de service de la lame.

Numéro	min ⁻¹
1	2 200
2	2 700
3	3 800
4	4 900
5	6 000
6	6 400

► Fig.11: 1. Cadran de réglage de la vitesse

Plaque de guidage

Pour aligner le rail de guidage (accessoire en option) sur le trait de coupe, utilisez la plaque de guidage.

► Fig.12: 1. Plaque de guidage 2. Bord de la plaque 3. Trait de coupe

1. Placez la plaque de guidage sur le rail de guidage près du point de départ de la coupe. Le bord de la plaque représente le centre de la lame de fraise à rainurer. Alignez le bord de la plaque sur le trait de coupe.

2. Ensuite, remplacez la plaque de guidage sur le rail de guidage près du point de fin de la coupe. Et alignez à nouveau le bord de la plaque sur le trait de coupe.

Autres caractéristiques

Les caractéristiques suivantes facilitent l'utilisation des outils munis de fonctions électroniques.

Limiteur de surcharge

Lorsque l'outil est soumis à une charge dépassant les niveaux admissibles, la puissance alimentant le moteur est réduite pour éviter la surchauffe du moteur. Lorsque la charge revient à des niveaux admissibles, l'outil fonctionne normalement.

Commande de vitesse constante

Commande électronique de la vitesse pour obtenir une vitesse constante. Permet d'obtenir une finition précise puisque la vitesse de rotation est maintenue constante même en condition de charge.

Fonction de démarrage en douceur

La suppression du choc de démarrage permet un démarrage en douceur.

ASSEMBLAGE

⚠ ATTENTION : Avant d'effectuer toute intervention sur l'outil, assurez-vous toujours qu'il est hors tension et débranché.

Rangement de la clé hexagonale

La clé hexagonale est rangée sur l'outil. Pour enlever la clé hexagonale, tirez simplement dessus.

Pour installer la clé hexagonale, posez-la sur la poignée et insérez-la à fond.

► Fig.13: 1. Clé hexagonale

Pose ou dépose de la lame de fraise à rainurer

⚠ ATTENTION : Ne vous servez pas de lames dont les caractéristiques ne correspondent pas à celles spécifiées sur cette notice.

⚠ ATTENTION : Utilisez uniquement des lames conçues pour au moins la vitesse à vide maximum indiquée dans les SPÉCIFICATIONS.

⚠ ATTENTION : Assurez-vous que la lame est installée avec les dents orientées vers le haut à l'avant de l'outil.

⚠ ATTENTION : Utilisez exclusivement la clé Makita pour poser ou retirer la lame.

Pour retirer la lame de fraise à rainurer, exécutez les étapes suivantes :

1. Posez l'outil avec le carter du moteur et la base en contact avec le sol. Puis insérez la clé hexagonale dans l'orifice à six pans creux, enfoncez-la et ouvrez le volet du porte-lame en tournant la clé hexagonale.

► Fig.14

2. Appuyez sur le blocage de l'arbre complètement de sorte que la lame ne tourne pas, puis desserrez le boulon hexagonal en le tournant dans le sens contraire des aiguilles d'une montre avec la clé.

► **Fig.15:** 1. Blocage de l'arbre 2. Boulon hexagonal

3. Retirez le boulon hexagonal, le flasque extérieur et la lame.

► **Fig.16:** 1. Boulon hexagonal 2. Flasque extérieur
3. Lame de fraise à rainurer 4. Flasque intérieur

Pour installer la lame, suivez la procédure de retrait en sens inverse. **Assurez-vous d'avoir fermement serré le boulon hexagonal, dans le sens des aiguilles d'une montre.** Après avoir installé la lame, refermez le volet du porte-lame.

Lorsque vous changez la lame, n'oubliez pas d'enlever aussi la sciure de bois et les copeaux accumulés sur le carter de protection comme indiqué dans la section Entretien. Même après ce nettoyage, vous devez vérifier le bon fonctionnement du carter de protection avant chaque utilisation.

Utilisation de la lame de scie circulaire

Accessoire en option

NOTE : N'installez pas la collerette lorsque vous utilisez la lame de scie circulaire. Autrement, la lame de scie circulaire frappera la collerette et endommagera l'outil.

Pour installer la lame de scie circulaire (accessoire en option), exécutez les étapes suivantes :

1. Déposez deux boulons et retirez la collerette.

► **Fig.17:** 1. Collerette

2. Déposez la lame de fraise à rainurer.

3. Faites coulisser la lame de scie circulaire par l'ouverture recouverte par la collerette.

4. Installez la lame de scie circulaire de la même façon que la lame de fraise à rainurer. Après avoir installé la lame, refermez le volet du porte-lame.

► **Fig.18:** 1. Boulon hexagonal 2. Flasque extérieur
3. Lame de scie circulaire 4. Flasque intérieur

5. Réglez la profondeur de coupe en tournant le bouton de réglage de profondeur.

Guide longitudinal (règle de guidage)

Accessoire en option

ATTENTION : N'utilisez pas le guide longitudinal avec la lame de fraise à rainurer. Utilisez le guide longitudinal uniquement lorsque vous utilisez l'outil avec la lame de scie circulaire (accessoire en option).

► **Fig.19:** 1. Guide longitudinal (règle de guidage)

Le guide longitudinal pratique vous permet d'effectuer des coupes rectilignes d'une extrême précision. Faites simplement glisser le guide longitudinal le long du côté de la pièce en le maintenant en position à l'aide des vis situées à l'avant et à l'arrière de la base. Cela permet également d'effectuer plusieurs coupes d'une largeur uniforme.

Le guide longitudinal (règle de guidage) fait également office de sous-base de l'outil lorsqu'on le fait basculer.

Butée pour une profondeur de coupe de 2 à 3 mm lors de l'utilisation d'une lame de scie circulaire (accessoire en option) et un rail de guidage (accessoire en option)

► **Fig.20:** 1. Butée 2. Repère rouge

Cet outil est pourvu d'une butée pour les profondeurs de coupe de 2 à 3 mm en utilisant le rail de guidage. Elle se trouve sur le carter d'engrenage à côté de la poignée arrière. Pour éviter de fendre la pièce, faites une première passe avec une profondeur de coupe de 2 à 3 mm, puis une autre passe ordinaire. Commencez par pousser la butée contre la lame de scie circulaire pour obtenir une profondeur de coupe de 2 à 3 mm.

Puis, ramenez le bouton vers l'arrière pour effectuer une coupe de profondeur libre. Assurez-vous que la butée est relâchée et le repère rouge visible pour le rainurage.

Raccordement à un aspirateur

Pour effectuer le rainurage, raccordez un aspirateur Makita à l'outil. Raccordez le tuyau de l'aspirateur à la sortie de poussière.

► **Fig.21:** 1. Aspirateur 2. Sortie de poussière

UTILISATION

ATTENTION : Utilisez toujours la poignée avant et la poignée arrière et tenez l'outil fermement par les deux poignées pendant l'utilisation.

Rail de guidage

Accessoire en option

Utilisez toujours le rail de guidage pour le rainurage. Placez l'outil sur l'extrémité arrière du rail de guidage. Tournez deux vis de réglage sur la base de l'outil de sorte que celui-ci glisse en douceur sans cliquetis.

► **Fig.22:** 1. Vis de réglage

Rainurage

ATTENTION : Assurez-vous de déplacer l'outil doucement vers l'avant, en ligne droite. Le fait de forcer ou de tordre l'outil pourrait entraîner une surchauffe du moteur et un dangereux choc en retour, risquant de provoquer une blessure grave.

ATTENTION : N'approchez aucune partie du corps sous la base de l'outil lors de coupes en section, particulièrement au démarrage. Cela pourrait provoquer de graves blessures. La lame est exposée sous la base de l'outil.

ATTENTION : Portez une protection oculaire afin d'éviter les blessures.

ATTENTION : Pour effectuer le rainurage, raccordez toujours l'outil à un aspirateur.

ATTENTION : Tenez l'outil fermement. L'outil est équipé d'une poignée avant et d'une poignée arrière. Utilisez les deux poignées pour mieux tenir l'outil. De plus, lorsque la scie est saisie à deux mains, celles-ci ne risquent pas d'être coupées par la lame.

► Fig.23

1. Réglez la profondeur de la coupe.
2. Placez l'outil sur le rail de guidage.
3. Alignez le rail de guidage le long du trait de coupe en utilisant la plaque de guidage. Assurez-vous que la lame n'entre pas en contact avec la pièce à travailler.
4. Enfoncez le bouton de sécurité et mettez l'outil sous tension, puis attendez que la lame atteigne sa pleine vitesse.
5. Appuyez lentement l'outil jusqu'à la profondeur de coupe prédéfinie et déplacez simplement l'outil vers l'avant sur la surface de la pièce, en le maintenant à plat et en le faisant avancer doucement jusqu'à ce que la coupe soit terminée.
6. Une fois la coupe terminée, relâchez la gâchette, attendez jusqu'à l'arrêt complet de la lame, puis retirez l'outil.

Pour obtenir des coupes propres, maintenez un trait de coupe bien droit et une vitesse de progression constante. Si la lame dévie de la ligne de coupe prévue, **ne tentez pas de modifier la course de l'outil pour le forcer à revenir sur la ligne de coupe**. Vous risqueriez de plier la lame et de provoquer un dangereux choc en retour pouvant causer une blessure grave.

Coupe en plongée (découpage)

⚠ AVERTISSEMENT : Pour éviter un choc en retour, vous devez respecter les instructions suivantes.

1. Placez l'outil sur le rail de guidage avec le bord arrière de la base de l'outil contre une butée fixe ou un dispositif similaire fixé au rail de guidage.

► Fig.24: 1. Butée fixe

2. Tenez fermement l'outil avec une main sur la poignée avant et l'autre main sur la poignée de l'outil. Enfoncez le bouton de sécurité et mettez l'outil sous tension, puis attendez que la lame atteigne sa pleine vitesse.
3. Appuyez lentement la tête de scie jusqu'à la profondeur de coupe prédéfinie et faites avancer l'outil jusqu'à la position de plongée souhaitée.

NOTE : Le repère triangulaire sur le porte-lame indique le centre approximatif de la lame.

► Fig.25: 1. Repère triangulaire

ENTRETIEN

⚠ ATTENTION : Assurez-vous toujours que l'outil est hors tension et débranché avant d'y effectuer tout travail d'inspection ou d'entretien.

⚠ ATTENTION : Nettoyez le carter de protection pour garantir l'absence de sciure de bois et de copeaux accumulés susceptibles d'empêcher le bon fonctionnement du système de protection. Un système de protection encrassé peut empêcher le bon fonctionnement et entraîner de graves blessures. L'air comprimé est le moyen le plus efficace pour procéder au nettoyage. **Si vous éliminez la poussière du carter de protection en la soufflant, veillez à utiliser une protection oculaire et respiratoire adéquate.**

REMARQUE : N'utilisez jamais d'essence, benzine, diluant, alcool ou autre produit similaire. Cela risquerait de provoquer la décoloration, la déformation ou la fissuration de l'outil.

Remplacement d'un balai en carbone

► Fig.26: 1. Repère d'usure

Vérifiez régulièrement les balais en carbone. Remplacez-les lorsqu'ils sont usés jusqu'au repère d'usure. Maintenez les balais en carbone propres et en état de glisser aisément dans les porte-charbons. Les deux balais en carbone doivent être remplacés en même temps. N'utilisez que des balais en carbone identiques.

1. Retirez les bouchons de porte-charbon à l'aide d'un tournevis.
2. Enlevez les balais en carbone usés, insérez les neufs et revissez solidement les bouchons de porte-charbon.

► Fig.27: 1. Bouchon de porte-charbon

Pour assurer la SÉCURITÉ et la FIABILITÉ du produit, toute réparation, tout travail d'entretien ou de réglage doivent être effectués par un centre d'entretien Makita agréé, avec des pièces de rechange Makita.

ACCESSOIRES EN OPTION

⚠ ATTENTION : Ces accessoires ou pièces complémentaires sont recommandés pour l'utilisation avec l'outil Makita spécifié dans ce mode d'emploi. L'utilisation de tout autre accessoire ou pièce complémentaire peut comporter un risque de blessure. N'utilisez les accessoires ou pièces complémentaires qu'aux fins auxquelles ils ont été conçus.

Pour obtenir plus de détails sur ces accessoires, contactez votre centre d'entretien local Makita.

- Rail de guidage
- Lame de fraise à rainurer 90°
- Lame de fraise à rainurer 135°
- Plaque de guidage
- Lame de scie circulaire
- Guide longitudinal (règle de guidage)
- Serre-joint
- Clé hexagonale
- Ensemble de feuilles pour rail de guidage
- Ensemble de feuilles de caoutchouc pour rail de guidage
- Feuille de position pour rail de guidage
- Guide pour coupe en biseau

NOTE : Il se peut que certains éléments de la liste soient compris dans l'emballage de l'outil en tant qu'accessoires standard. Ils peuvent varier d'un pays à l'autre.







TECHNISCHE DATEN

Modell:	CA5000
Nutenschneidblatt-Durchmesser	118,0 mm
Kreissägeblatt-Durchmesser	165,0 mm
Max. Schnitttiefe (mit Nutenschneidblatt)	11,0 mm
Max. Schnitttiefe (mit Kreissägeblatt)	36,0 mm
Leerlaufdrehzahl	2.200 - 6.400 min ⁻¹
Gesamtlänge	346 mm
Nettogewicht	4,7 kg
Sicherheitsklasse	□/II

- Wir behalten uns vor, Änderungen der technischen Daten im Zuge der Entwicklung und des technischen Fortschritts ohne vorherige Ankündigung vorzunehmen.
- Die technischen Daten können von Land zu Land unterschiedlich sein.
- Gewicht nach EPTA-Verfahren 01/2014

Symbole

Nachfolgend werden Symbole beschrieben, die für das Gerät verwendet werden können. Machen Sie sich unbedingt vor der Benutzung mit ihrer Bedeutung vertraut.

	Betriebsanleitung lesen.
	DOPELTE ISOLIERUNG
	Schutzbrille tragen.
	Nutenschneidblatt
	Kreissägeblatt
	Nur für EU-Länder Werfen Sie Elektrogeräte nicht in den Hausmüll! Unter Einhaltung der Europäischen Richtlinie über Elektro- und Elektronik-Altgeräte und ihrer Umsetzung gemäß den Landesgesetzen müssen Elektrogeräte, die das Ende ihrer Lebensdauer erreicht haben, getrennt gesammelt und einer umweltgerechten Recycling-Einrichtung zugeführt werden.

Vorgesehene Verwendung

Dieses Werkzeug ist speziell für das Schneiden von Nuten in Verbundplatten aus Aluminium, Kunststoff, Mineralkunststoffen und ähnlichem Material vorgesehen.

Wenn das Werkzeug mit einem regulären Kreissägeblatt bestückt wird, kann es zum Sägen von Holz und Aluminium verwendet werden.

Stromversorgung

Das Werkzeug sollte nur an eine Stromquelle angeschlossen werden, deren Spannung mit der Angabe auf dem Typenschild übereinstimmt, und kann nur mit Einphasen-Wechselstrom betrieben werden. Diese sind doppelt schutzisoliert und können daher auch an Steckdosen ohne Erdleiter verwendet werden.

Geräusch

Typischer A-bewerteter Geräuschpegel ermittelt gemäß EN62841:
Schalldruckpegel (L_{pA}): 88 dB (A)
Schallleistungspegel (L_{WA}): 99 dB (A)
Messunsicherheit (K): 3 dB (A)

HINWEIS: Der (Die) angegebene(n) Schallemissionswert(e) wurde(n) im Einklang mit der Standardprüfmethode gemessen und kann (können) für den Vergleich zwischen Werkzeugen herangezogen werden.

HINWEIS: Der (Die) angegebene(n) Schallemissionswert(e) kann (können) auch für eine Vorbewertung des Gefährdungsgrads verwendet werden.

⚠️ WARNUNG: Einen Gehörschutz tragen.

⚠️ WARNUNG: Die Schallemission während der tatsächlichen Benutzung des Elektrowerkzeugs kann je nach der Benutzungsweise des Werkzeugs, und speziell je nach der Art des bearbeiteten Werkstücks, von dem (den) angegebenen Wert(en) abweichen.

⚠️ WARNUNG: Identifizieren Sie Sicherheitsmaßnahmen zum Schutz des Benutzers anhand einer Schätzung des Gefährdungsgrads unter den tatsächlichen Benutzungsbedingungen (unter Berücksichtigung aller Phasen des Arbeitszyklus, wie z. B. Ausschalt- und Leerlaufzeiten des Werkzeugs zusätzlich zur Betriebszeit).

Schwingungen

Schwingungsgesamtwert (Drei-Achsen-Vektorsumme) ermittelt gemäß EN62841:

Arbeitsmodus: Nutenschneiden in

Aluminium-Verbundmaterial

Schwingungsemission (a_n): 2,5 m/s² oder weniger

Messunsicherheit (K): 1,5 m/s²

Arbeitsmodus: Schneiden von Holz

Schwingungsemission ($a_{n,w}$): 2,5 m/s² oder weniger

Messunsicherheit (K): 1,5 m/s²

Arbeitsmodus: Schneiden von Metall

Schwingungsemission ($a_{n,m}$): 2,5 m/s² oder weniger

Messunsicherheit (K): 1,5 m/s²

HINWEIS: Der (Die) angegebene(n) Vibrationsgesamtwert(e) wurde(n) im Einklang mit der Standardprüfmethode gemessen und kann (können) für den Vergleich zwischen Werkzeugen herangezogen werden.

HINWEIS: Der (Die) angegebene(n) Vibrationsgesamtwert(e) kann (können) auch für eine Vorbewertung des Gefährdungsgrads verwendet werden.

⚠️ WARNUNG: Die Vibrationsemission während der tatsächlichen Benutzung des Elektrowerkzeugs kann je nach der Benutzungsweise des Werkzeugs, und speziell je nach der Art des bearbeiteten Werkstücks, von dem (den) angegebenen Emissionswert(en) abweichen.

⚠️ WARNUNG: Identifizieren Sie Sicherheitsmaßnahmen zum Schutz des Benutzers anhand einer Schätzung des Gefährdungsgrads unter den tatsächlichen Benutzungsbedingungen (unter Berücksichtigung aller Phasen des Arbeitszyklus, wie z. B. Ausschalt- und Leerlaufzeiten des Werkzeugs zusätzlich zur Betriebszeit).

EG-Konformitätserklärung

Nur für europäische Länder

Die EG-Konformitätserklärung ist als Anhang A in dieser Bedienungsanleitung enthalten.

Allgemeine Sicherheitswarnungen für Elektrowerkzeuge

⚠️ WARNUNG: Lesen Sie alle mit diesem Elektrowerkzeug gelieferten Sicherheitswarnungen, Anweisungen, Abbildungen und technischen Daten durch. Eine Missachtung der unten aufgeführten Anweisungen kann zu einem elektrischen Schlag, Brand und/oder schweren Verletzungen führen.

Bewahren Sie alle Warnungen und Anweisungen für spätere Bezugnahme auf.

Der Ausdruck „Elektrowerkzeug“ in den Warnhinweisen bezieht sich auf Ihr mit Netzstrom (mit Kabel) oder Akku (ohne Kabel) betriebenes Elektrowerkzeug.

Sicherheitswarnungen für Kreissäge

Schneidverfahren

- ⚠️ GEFAHR:** Halten Sie Ihre Hände vom Schnittbereich und vom Sägeblatt fern. Halten Sie mit der zweiten Hand den Zusatzgriff oder das Motorgehäuse. Wenn beide Hände die Säge halten, können sie nicht durch das Sägeblatt verletzt werden.
- Fassen Sie nicht unter das Werkstück.** Die Schutzhaube bietet keinen Schutz auf der Unterseite des Werkstücks.
- Stellen Sie die Schnitttiefe auf die Dicke des Werkstücks ein.** Das Sägeblatt darf nicht mehr als eine Zahnlänge auf der Unterseite des Werkstücks überstehen.
- Halten Sie das Werkstück beim Schneiden niemals in Ihren Händen oder auf den Beinen. Sichern Sie das Werkstück auf einer stabilen Plattform.** Es ist wichtig, das Werkstück sachgemäß abzustützen, um Körperaussetzung, Klemmen des Sägeblatts oder Verlust der Kontrolle auf ein Minimum zu reduzieren.

► Abb.1

- Halten Sie das Elektrowerkzeug an den isolierten Griffflächen, wenn Sie Arbeiten ausführen, bei denen die Gefahr besteht, dass das Schneidwerkzeug verborgene Kabel oder das eigene Kabel kontaktiert.** Bei Kontakt mit einem Strom führenden Kabel können die freiliegenden Metallteile des Elektrowerkzeugs ebenfalls Strom führend werden, so dass der Benutzer einen elektrischen Schlag erleiden kann.
- Verwenden Sie beim Längssägen stets einen Parallelschlag oder ein Richtlineal.** Dadurch wird die Schnittgenauigkeit verbessert und die Gefahr von Sägeblatt-Klemmen reduziert.
- Verwenden Sie stets Sägeblätter, deren Spindelbohrung die korrekte Größe und Form (rautenförmig oder rund) hat.** Sägeblätter, die nicht genau auf den Montageflansch der Säge passen, rotieren exzentrisch und verursachen den Verlust der Kontrolle.
- Verwenden Sie niemals beschädigte oder falsche Sägeblattscheiben oder -schrauben.** Die Sägeblattscheiben und -schrauben sind speziell für Ihre Säge vorgesehen, um optimale Leistung und Betriebssicherheit zu gewährleisten.

Rückschlagursachen und damit zusammenhängende Warnungen

- Ein Rückschlag ist eine plötzliche Reaktion auf ein eingeklemmtes, blockiertes oder falsch ausgerichtetes Sägeblatt, der ein unkontrolliertes Anheben und Herauspringen der Säge aus dem Werkstück in Richtung der Bedienungsperson verursacht.
- Wenn das Sägeblatt durch den sich schließenden Sägeschlitz eingeklemmt oder blockiert wird, bleibt das Sägeblatt stehen, und die Motorreaktion drückt die Säge plötzlich in Richtung der Bedienungsperson zurück.
- Falls das Sägeblatt im Schnitt verdreht oder versetzt wird, können sich die Zähne an der Hinterkante des Sägeblatts in die Oberfläche des Holzstücks bohren, so dass sich das Sägeblatt aus dem Sägeschlitz heraushebt und in Richtung der Bedienungsperson zurückspringt.

Rückschlag ist das Resultat falscher Handhabung der Säge und/oder falscher Arbeitsverfahren oder -bedingungen und kann durch Anwendung der nachstehenden Vorsichtsmaßnahmen vermieden werden.

1. **Halten Sie die Säge mit beiden Händen fest, und positionieren Sie Ihre Arme so, dass sie die Rückschlagkräfte auffangen. Stellen Sie sich so, dass sich Ihr Körper seitlich vom Sägeblatt befindet, nicht auf gleicher Linie mit dem Sägeblatt.** Rückschlag kann Zurückspringen der Säge verursachen; doch wenn geeignete Vorkehrungen getroffen werden, können die Rückschlagkräfte von der Bedienungsperson unter Kontrolle gehalten werden.
2. **Falls das Sägeblatt klemmt oder der Schnitt aus irgendeinem Grund unterbrochen wird, lassen Sie den Ein-Aus-Schalter los, und halten Sie die Säge bewegungslos im Werkstück, bis das Sägeblatt zum völligen Stillstand kommt. Versuchen Sie niemals, die Säge bei noch rotierendem Sägeblatt vom Werkstück abzunehmen oder zurückzuziehen, weil es sonst zu einem Rückschlag kommen kann.** Nehmen Sie eine Überprüfung vor, und treffen Sie Abhilfemaßnahmen, um die Ursache von Sägeblatt-Klemmen zu beseitigen.
3. **Wenn Sie die Säge bei im Werkstück befindlichem Sägeblatt wieder einschalten, zentrieren Sie das Sägeblatt im Sägeschlitz, und vergewissern Sie sich, dass die Sägezähne nicht mit dem Werkstück im Eingriff sind.** Falls ein Sägeblatt klemmt, kann es beim Wiedereinschalten der Säge aus dem Werkstück herausschnellen oder zurückspringen.
4. **Stützen Sie große Platten ab, um die Gefahr von Klemmen und Rückschlägen des Sägeblatts auf ein Minimum zu reduzieren.** Große Platten neigen dazu, unter ihrem Eigengewicht durchzuhängen. Die Stützen müssen beidseitig der Schnittlinie und in der Nähe der Plattenkante unter der Platte platziert werden.

► Abb.2

► Abb.3

5. **Verwenden Sie keine stumpfen oder beschädigten Sägeblätter.** Unscharfe oder falsch angebrachte Sägeblätter erzeugen einen schmalen Sägeschlitz, der übermäßige Reibung, Sägeblatt-Klemmen und Rückschlag verursacht.
6. **Die Sägeblatttiefen- und Neigungseinstellungs-Arretierhebel müssen fest angezogen und gesichert sein, bevor der Schnitt ausgeführt wird.** Falls sich die Sägeblatteinstellung während des Sägens verstellt, kann es zu Klemmen und Rückschlag kommen.
7. **Lassen Sie beim Sägen in vorhandene Wände oder andere tote Winkel besondere Vorsicht walten.** Das vorstehende Sägeblatt kann Objekte durchschneiden, die Rückschlag verursachen können.
8. **Halten Sie das Werkzeug IMMER mit beiden Händen fest. Halten Sie NIEMALS Ihre Hand, Ihr Bein oder irgendeinen Körperteil unter die Werkzeugbasis oder hinter die Säge, insbesondere bei der Ausführung von Querschnitten.** Falls Rückschlag auftritt, besteht die Gefahr, dass die Säge über Ihre Hand zurückspringt und schwere Personenschäden verursacht.

► Abb.4

9. **Wenden Sie keine Gewalt auf die Säge an. Schieben Sie die Säge mit einer Geschwindigkeit vor, dass das Sägeblatt nicht abgebremst wird.** Gewaltanwendung kann ungleichmäßige Schnitte, Verlust der Genauigkeit und möglichen Rückschlag verursachen.

Funktion der Schutzhaube

1. **Überprüfen Sie die Schutzhaube vor jeder Benutzung auf einwandfreies Schließen. Betreiben Sie die Säge nicht, falls sich die Schutzhaube nicht ungehindert bewegt und das Sägeblatt nicht sofort umschließt.** Die Schutzhaube darf auf keinen Fall in geöffneter Stellung festgeklemmt oder festgebunden werden. Wird die Säge versehentlich fallen gelassen, kann die Schutzhaube verbogen werden. Vergewissern Sie sich, dass sich die Schutzhaube ungehindert bewegt und bei allen Winkel- und Schnitttiefen-Einstellungen nicht mit dem Sägeblatt oder irgendeinem anderen Teil in Berührung kommt.
2. **Überprüfen Sie die Funktion und den Zustand der Schutzhauben-Rückholfeder. Falls Schutzhaube und Feder nicht einwandfrei funktionieren, müssen die Teile vor der Benutzung gewartet werden.** Falls beschädigte Teile, klebrige Ablagerungen oder Schmutzansammlung vorhanden sind, kann die Schutzhaube schwergängig werden.
3. **Stellen Sie sicher, dass sich die Grundplatte der Säge während der Durchführung eines „Tauschnitts“ nicht verschiebt.** Seitliches Verschieben des Sägeblatts verursacht Klemmen und möglicherweise Rückschlag.
4. **Vergewissern Sie sich stets, dass die Schutzhaube das Sägeblatt verdeckt, bevor Sie die Säge auf der Werkbank oder dem Boden ablegen.** Ein ungeschützt auslaufendes Sägeblatt bewirkt Rückwärtskriechen der Säge und schneidet alles, was sich in seinem Weg befindet. Berücksichtigen Sie die Auslaufzeit des Sägeblatts bis zum Stillstand nach dem Loslassen des Ein-Aus-Schalters.

Zusätzliche Sicherheitswarnungen

1. **Lassen Sie beim Schneiden von feuchtem Holz, druckbehandeltem Bauholz oder Astholz besondere Vorsicht walten.** Behalten Sie einen gleichmäßigen Vorschub des Werkzeugs bei, ohne dass sich die Sägeblattdrehzahl verringert, um Überhitzen der Sägeblattzähne und, beim Schneiden von Kunststoff, Schmelzen des Kunststoffs zu vermeiden.
2. **Versuchen Sie nicht, abgeschnittenes Material bei rotierendem Sägeblatt zu entfernen. Warten Sie, bis das Sägeblatt zum Stillstand kommt, bevor Sie abgeschnittenes Material wegnehmen.** Das Sägeblatt läuft nach dem Ausschalten noch nach.
3. **Vermeiden Sie das Schneiden von Nägeln. Überprüfen Sie Bauholz vor dem Schneiden auf Nägel, und entfernen Sie etwaige Nägel.**
4. **Setzen Sie den breiteren Teil der Grundplatte auf den fest abgestützten Teil des Werkstücks, nicht auf den Teil, der nach dem Schnitt herunterfällt. Kurze oder kleine Werkstücke müssen eingespannt werden. VERSUCHEN SIE NICHT, KURZE WERKSTÜCKE MIT DER HAND ZU HALTEN!**

► **Abb.5**

5. **Bevor Sie das Werkzeug nach Ausführung eines Schnitts absetzen, vergewissern Sie sich, dass sich die Schutzhaube geschlossen hat und das Sägeblatt zu vollständigem Stillstand gekommen ist.**
6. **Versuchen Sie niemals, die Kreissäge zum Sägen verkehrt herum in einen Schraubstock einzuspannen. Dies ist sehr gefährlich und kann zu schweren Unfällen führen.**

► **Abb.6**

7. **Manche Materialien können giftige Chemikalien enthalten. Treffen Sie Vorsichtsmaßnahmen, um das Einatmen von Arbeitsstaub und Hautkontakt zu verhüten. Befolgen Sie die Sicherheitsdaten des Materiallieferanten.**
8. **Bremsen Sie die Säge nicht durch seitlichen Druck auf das Sägeblatt ab.**
9. **Verwenden Sie keine Schleifscheiben.**
10. **Verwenden Sie nur Sägeblätter mit einem Durchmesser, der am Werkzeug markiert oder im Handbuch angegeben ist.** Die Verwendung eines Sägeblatts mit falscher Größe kann den einwandfreien Schutz des Sägeblatts oder den Schutzbetrieb beeinträchtigen, was ernsthaften Personenschaden zur Folge haben kann.
11. **Halten Sie das Sägeblatt scharf und sauber.** An den Sägeblättern haftendes und verhärtetes Gummi und Harz verlangsamen die Säge und erhöhen die Rückschlaggefahr. Halten Sie das Sägeblatt sauber, indem Sie es vom Werkzeug abmontieren und dann mit Gummi- und Harzentferner, heißem Wasser oder Petroleum reinigen. Verwenden Sie niemals Benzin.
12. **Tragen Sie bei der Benutzung des Werkzeugs eine Staubmaske und einen Gehörschutz.**
13. **Verwenden Sie immer das zum Schneiden des jeweiligen Arbeitsmaterials vorgesehene Sägeblatt.**
14. **Verwenden Sie nur Sägeblätter, die mit einer Drehzahl markiert sind, die der am Werkzeug angegebenen Drehzahl entspricht oder diese übertrifft.**
15. **(Nur für europäische Länder)**
Verwenden Sie immer ein Sägeblatt, das EN847-1 entspricht.

BEWAHREN SIE DIESE ANLEITUNG AUF.

⚠️ WARNUNG: Lassen Sie sich NICHT durch Bequemlichkeit oder Vertrautheit mit dem Produkt (durch wiederholten Gebrauch erworben) von der strikten Einhaltung der Sicherheitsregeln für das vorliegende Produkt abhalten. **MISSBRAUCH** oder **Missachtung der Sicherheitsvorschriften in dieser Anleitung** können schwere Personenschäden verursachen.

FUNKTIONSBESCHREIBUNG

⚠️ VORSICHT: Vergewissern Sie sich vor jeder Einstellung oder Funktionsprüfung des Werkzeugs stets, dass es ausgeschaltet und vom Stromnetz getrennt ist.

Schnellanschlag für Nutenschnitte in Platten von 3, 4 oder 6 mm Dicke

Durch Drehen des Schnellanschlags können Sie die korrekte Tiefe von Nutenschnitten in Platten von 3, 4 oder 6 mm Dicke schnell auswählen. Die von der Seite des Knopfes sichtbare Nummer gibt die Dicke der Werkstückplatte an. Verwenden Sie zur Feineinstellung der Nutentiefe den Tiefeneinstellknopf.

► **Abb.7:** 1. Schnellanschlag 2. Tiefeneinstellknopf

Die 0-mm-Tiefe wurde vor der Auslieferung des Werkzeugs korrekt eingestellt, aber wenn Sie die Nutentiefe mit dem Einstellknopf verändert haben, nehmen Sie eine Feineinstellung der 0-mm-Tiefe wie folgt vor:

1. Drehen Sie den Schnellanschlag auf 0 mm.
2. Drehen Sie den Tiefeneinstellknopf zur Einstellung der Tiefe.
3. Stellen Sie sicher, dass das Sägeblatt nicht mit dem Werkstück in Berührung kommt.
4. Halten Sie das Werkzeug mit einer Hand am Frontgriff und mit der anderen am Werkzeuggriff fest. Drücken Sie den Einschaltsperrknopf hinein, und schalten Sie das Werkzeug ein.
5. Drücken Sie den Sägekopf langsam vollständig nach unten, und stellen Sie sicher, dass das Nutenschneidblatt das Werkstück nicht kontaktiert, sondern es nahezu berührt. Ist das nicht der Fall, schalten Sie das Werkzeug aus, und warten Sie, bis das Nutenschneidblatt vollständig zum Stillstand gekommen ist, bevor Sie die Tiefe durch erneutes Drehen des Tiefeneinstellknopfs einstellen.

Einstellen der Schnitttiefe

Drehen Sie den Tiefeneinstellknopf, um die Schnitttiefe einzustellen.

Drehen Sie den Knopf für tiefere Schnitte im Uhrzeigersinn. Drehen Sie den Knopf für flachere Schnitte entgegen dem Uhrzeigersinn.

► **Abb.8:** 1. Tiefeneinstellknopf

Schnittmarkierung

Das Dreieckszeichen an der Grundplatte kennzeichnet die Mitte des Nutenschneidblatts.

Wenn Sie das Werkzeug mit einem Nutenschneidblatt verwenden, richten Sie das äußere Dreieckszeichen auf die Schnittlinie aus.

Wenn Sie das Werkzeug mit einem Kreissägeblatt (Sonderzubehör) verwenden, richten Sie das innere Dreieckszeichen auf die Schnittlinie aus.

► **Abb.9:** 1. Grundplatte 2. Äußeres Dreieckszeichen 3. Inneres Dreieckszeichen 4. Schnittlinie

Schalterfunktion

⚠ VORSICHT: Vergewissern Sie sich vor dem Anschließen des Werkzeugs an das Stromnetz stets, dass der Ein-Aus-Schalter ordnungsgemäß funktioniert und beim Loslassen in die AUS-Stellung zurückkehrt.

Um versehentliche Betätigung des Ein-Aus-Schalters zu verhüten, ist das Werkzeug mit einem Einschaltsperrknopf ausgestattet. Zum Starten des Werkzeugs betätigen Sie den Ein-Aus-Schalter bei gedrücktem Einschaltsperrknopf. Zum Ausschalten lassen Sie den Ein-Aus-Schalter los. ► **Abb.10:** 1. Einschaltsperrknopf 2. Ein-Aus-Schalter

Drehzahl-Stellrad

⚠ VORSICHT: Das Drehzahl-Stellrad ist nicht für die Verwendung von Sägeblättern mit niedriger Nenndrehzahl vorgesehen. Es hat vielmehr die Aufgabe, eine für das Werkstückmaterial geeignete Drehzahl zu erhalten. Verwenden Sie nur Sägeblätter, die mindestens für die in den TECHNISCHEN DATEN angegebene maximale Leerlaufdrehzahl bemessen sind.

⚠ VORSICHT: Das Drehzahl-Stellrad lässt sich nur bis 6 und zurück auf 1 drehen. Wird es gewaltsam über 6 oder 1 hinaus gedreht, kann die Drehzahleinstellfunktion unbrauchbar werden.

Die Werkzeugdrehzahl kann durch Drehen des Stellrads eingestellt werden. Durch Drehen des Stellrads in Richtung der Nummer 6 wird die Drehzahl erhöht, während sie durch Drehen in Richtung 1 verringert wird. Wählen Sie eine für das zu schneidende Werkstück geeignete Drehzahl aus. Die korrekte Drehzahl kann jedoch je nach der Art oder Dicke des Werkstücks unterschiedlich sein. Im Allgemeinen erlauben höhere Drehzahlen schnelleres Schneiden von Werkstücken, aber die Lebensdauer des Sägeblatts wird verringert.

Nummer	min ⁻¹
1	2.200
2	2.700
3	3.800
4	4.900
5	6.000
6	6.400

► **Abb.11:** 1. Drehzahl-Stellrad

Führungsplatte

Verwenden Sie die Führungsplatte, um die Führungsschiene (Sonderzubehör) auf die Schnittlinie auszurichten.

► **Abb.12:** 1. Führungsplatte 2. Plattenkante 3. Schnittlinie

1. Legen Sie die Führungsplatte in der Nähe des Schnittpunkts auf die Führungsschiene. Die Plattenkante repräsentiert die Mitte des Nutenschneidblatts. Richten Sie die Plattenkante auf die Schnittlinie aus.
2. Legen Sie dann die Führungsplatte in der Nähe des Schnittpunkts erneut auf die Führungsschiene. Richten Sie die Plattenkante erneut auf die Schnittlinie aus.

Sonstige Merkmale

Die mit Elektronikfunktionen ausgestatteten Werkzeuge weisen die folgenden Merkmale zur Bedienungserleichterung auf.

Überlastschalter

Wenn die Belastung des Werkzeugs das zulässige Maß überschreitet, wird die Motorleistung reduziert, um den Motor vor Überhitzung zu schützen. Sobald die Belastung auf zulässige Werte abfällt, arbeitet das Werkzeug wieder normal.

Konstantdrehzahlregelung

Elektronische Drehzahlregelung zur Aufrechterhaltung einer konstanten Drehzahl. Feine Oberflächengüte wird ermöglicht, weil die Drehzahl selbst unter Belastung konstant gehalten wird.

Soft-Start-Funktion

Diese Funktion gewährleistet ruckfreies Anlaufen durch Anlaufstoßunterdrückung.

MONTAGE

⚠ VORSICHT: Vergewissern Sie sich vor der Ausführung von Arbeiten am Werkzeug stets, dass es ausgeschaltet und vom Stromnetz getrennt ist.

Aufbewahrung des Inbusschlüssels

Der Inbusschlüssel wird am Werkzeug aufbewahrt. Um den Inbusschlüssel abzunehmen, ziehen Sie ihn einfach heraus. Zum Anbringen des Inbusschlüssels legen Sie ihn auf den Griff und schieben ihn bis zum Anschlag hinein. ► **Abb.13:** 1. Inbusschlüssel

Demontieren oder Montieren des Nutenschneidblatts

⚠ VORSICHT: Verwenden Sie keine Sägeblätter, die nicht den in dieser Anleitung angegebenen Spezifikationen entsprechen.

⚠ VORSICHT: Verwenden Sie nur Sägeblätter, die mindestens für die in den TECHNISCHEN DATEN angegebene maximale Leerlaufdrehzahl bemessen sind.

⚠ VORSICHT: Vergewissern Sie sich, dass das Sägeblatt so montiert ist, dass die Zähne auf der Vorderseite des Werkzeugs nach oben zeigen.

⚠ VORSICHT: Verwenden Sie nur den mitgelieferten Makita-Schraubenschlüssel zum Montieren und Demontieren von Sägeblättern.

Führen Sie zum Demontieren des Nutenschneidblatts die folgenden Schritte aus:

1. Legen Sie das Werkzeug so ab, dass das Motorgehäuse und die Grundplatte den Boden berühren. Führen Sie dann den Inbusschlüssel in den Innensechskant ein, drücken Sie ihn hinein, und öffnen Sie die Schutzhaubenklappe durch Drehen des Inbusschlüssels.

► **Abb.14**

2. Drücken Sie die Spindelarretierung vollständig hinein, so dass sich das Sägeblatt nicht dreht, und lösen Sie dann die Innensechskantschraube, indem Sie den Inbusschlüssel entgegen dem Uhrzeigersinn drehen.

► **Abb.15:** 1. Spindelarretierung
2. Innensechskantschraube

3. Entfernen Sie dann Innensechskantschraube, Außenflansch und Sägeblatt.

► **Abb.16:** 1. Innensechskantschraube
2. Außenflansch 3. Nutenschneidblatt
4. Innenflansch

Zum Montieren des Sägeblatts wenden Sie das Demonteverfahren umgekehrt an. **Ziehen Sie die Innensechskantschraube im Uhrzeigersinn fest.** Schließen Sie die Schutzhaubenklappe nach der Montage des Sägeblatts. Säubern Sie beim Auswechseln des Sägeblatts auch unbedingt die Schutzhaube von angesammeltem Sägemehl und Spänen gemäß den Angaben im Abschnitt „Wartung“. Solche Arbeiten erübrigen jedoch nicht die Notwendigkeit, die Funktion der Schutzhaube vor jedem Gebrauch zu überprüfen.

Verwendung eines Kreissägeblatts

Sonderzubehör

HINWEIS: Montieren Sie nicht die Schürze, wenn Sie ein Kreissägeblatt verwenden. Anderenfalls kann das Kreissägeblatt die Schürze berühren und das Werkzeug beschädigen.

Führen Sie zur Montage des Kreissägeblatts (Sonderzubehör) die folgenden Schritte aus:

1. Entfernen Sie zwei Schrauben, und nehmen Sie die Schürze ab.

► **Abb.17:** 1. Schürze

2. Entfernen Sie das Nutenschneidblatt.

3. Schieben Sie das Kreissägeblatt durch die Öffnung, die von der Schürze verdeckt war.

4. Montieren Sie das Kreissägeblatt auf die gleiche Weise wie das Nutenschneidblatt. Schließen Sie die Schutzhaubenklappe nach der Montage des Sägeblatts.

► **Abb.18:** 1. Innensechskantschraube
2. Außenflansch 3. Kreissägeblatt
4. Innenflansch

5. Stellen Sie die Schnitttiefe durch Drehen des Tiefeneinstellknopfs ein.

Parallelenschlag (Richtlineal)

Sonderzubehör

⚠VORSICHT: Benutzen Sie den Parallelenschlag nicht mit dem Nutenschneidblatt. Benutzen Sie den Parallelenschlag nur, wenn ein Kreissägeblatt (Sonderzubehör) am Werkzeug montiert ist.

► **Abb.19:** 1. Parallelenschlag (Richtlineal)

Der praktische Parallelenschlag ermöglicht die Ausführung besonders genauer Geradschnitte. Schieben Sie einfach den Parallelenschlag bündig gegen die Seite des Werkstücks, und sichern Sie ihn mit den Schrauben an der Vorder- und Rückseite der Grundplatte. Außerdem ermöglicht er wiederholte Schnitte von gleichförmiger Breite. Durch Umdrehen kann der Parallelenschlag (Richtlineal) auch als Zusatzgrundplatte des Werkzeugs verwendet werden.

Anschlag für Schnitttiefen von 2 bis 3 mm bei Verwendung eines Kreissägeblatts (Sonderzubehör) und einer Führungsschiene (Sonderzubehör)

► **Abb.20:** 1. Anschlag 2. Rote Markierung

Dieses Werkzeug besitzt einen Anschlag für Schnitttiefen von 2 bis 3 mm am Antriebsgehäuse neben dem hinteren Handgriff bei Verwendung einer Führungsschiene.

Splitter am Werkstück können vermieden werden, indem im ersten Durchgang auf eine Tiefe von 2 bis 3 mm, und im zweiten Durchgang auf die gewöhnliche Tiefe geschnitten wird.

Drücken Sie den Anschlag zuerst in Richtung des Kreissägeblatts, um eine Schnitttiefe von 2 bis 3 mm zu erhalten.

Ziehen Sie dann den Knopf zurück, um einen Schnitt mit freier Schnitttiefe auszuführen.

Vergewissern Sie sich, dass der Anschlag freigegeben ist und die rote Markierung für Nutenschneiden sichtbar ist.

Anschließen eines Sauggeräts

Schließen Sie für Nutenschneidarbeiten ein Makita-Sauggerät an Ihr Werkzeug an.

Schließen Sie einen Schlauch des Sauggeräts an den Absaugstutzen an.

► **Abb.21:** 1. Sauggerät 2. Absaugstutzen

BETRIEB

⚠VORSICHT: Benutzen Sie stets den vorderen und hinteren Handgriff, und halten Sie das Werkzeug während der Arbeit an beiden Handgriffen fest.

Führungsschiene

Sonderzubehör

Benutzen Sie stets die Führungsschiene für Nutenschneidarbeiten.
Setzen Sie das Werkzeug auf das hintere Ende der Führungsschiene.
Drehen Sie zwei Einstellschrauben an der Grundplatte, so dass das Werkzeug ohne Klappern reibungslos gleitet.
► **Abb.22:** 1. Einstellschrauben

Nutenschneiden

⚠ VORSICHT: Schieben Sie das Werkzeug in einer geraden Linie **sachte vor**. Zu starkes Drücken oder Verdrehen des Werkzeugs führt zu Überhitzen des Motors und gefährlichem Rückschlag, der möglicherweise schwere Verletzungen verursachen kann.

⚠ VORSICHT: Bringen Sie bei Ausschneidarbeiten **niemals einen Körperteil unter die Grundplatte, besonders beim Starten**. Andernfalls kann es zu schweren Personenschäden kommen. Das Sägeblatt ragt frei unter die Grundplatte.

⚠ VORSICHT: Tragen Sie einen Augenschutz, um Augenverletzungen zu vermeiden.

⚠ VORSICHT: Schließen Sie das Werkzeug für Nutenschneidarbeiten immer an ein Saugergerät an.

⚠ VORSICHT: Halten Sie das Werkzeug mit festem Griff. Das Werkzeug ist mit einem vorderen und hinteren Griff ausgestattet. **Benutzen Sie beide Griffe, um das Werkzeug optimal zu halten.** Wenn beide Hände die Säge halten, können sie nicht durch das Sägeblatt verletzt werden.

► Abb.23

1. Stellen Sie die Schnitttiefe ein.
2. Setzen Sie das Werkzeug auf die Führungsschiene.
3. Richten Sie die Führungsschiene mithilfe der Führungsplatte auf die Schnittlinie aus. Stellen Sie sicher, dass das Sägeblatt nicht mit dem Werkstück in Berührung kommt.
4. Drücken Sie den Einschaltsperrknopf hinein, und warten Sie, bis das Sägeblatt die volle Drehzahl erreicht.
5. Drücken Sie das Werkzeug langsam auf die voreingestellte Schnitttiefe nieder, und schieben Sie es einfach über die Oberfläche des Werkstücks vor, wobei Sie es flach halten und gleichmäßig vorrücken, bis der Schnitt ausgeführt ist.
6. Wenn der Schnitt ausgeführt ist, lassen Sie den Schalter los. Warten Sie, bis das Sägeblatt zum Stillstand kommt, und nehmen Sie dann das Werkzeug ab.

Um saubere Schnitte zu erzielen, halten Sie eine gerade Schnittlinie und eine gleichmäßige Vorschubgeschwindigkeit ein. Falls der Schnitt sich nicht genau mit Ihrer beabsichtigten Schnittlinie deckt, **versuchen Sie nicht, das Werkzeug zu drehen oder zur Schnittlinie zurückzudrücken**. Dies könnte zu Klemmen des Sägeblatts und gefährlichem Rückschlag führen, was schwere Verletzungen verursachen kann.

Tauchschnitte (Ausschneiden)

⚠ WARNUNG: Um Rückschlag zu vermeiden, beachten Sie unbedingt die folgenden Anweisungen.

1. Setzen Sie das Werkzeug so auf die Führungsschiene, dass die Hinterkante der Grundplatte an einem festen Anschlag oder dergleichen anliegt, der auf die Führungsschiene aufgespannt ist.

► **Abb.24:** 1. Fester Anschlag

2. Halten Sie das Werkzeug mit einer Hand am Frontgriff und mit der anderen am Werkzeuggriff fest. Drücken Sie den Einschaltsperrknopf hinein, schalten Sie das Werkzeug ein, und warten Sie, bis das Sägeblatt die volle Drehzahl erreicht.

3. Drücken Sie den Sägekopf langsam auf die voreingestellte Schnitttiefe nieder, und schieben Sie das Werkzeug auf die gewünschte Position für Tauchschnitt vor.

HINWEIS: Das Dreieckszeichen an der Schutzhaube zeigt die ungefähre Mitte des Sägeblatts an.

► **Abb.25:** 1. Dreieckszeichen

WARTUNG

⚠ VORSICHT: Vergewissern Sie sich vor der Durchführung von Überprüfungen oder Wartungsarbeiten des Werkzeugs stets, dass es ausgeschaltet und vom Stromnetz getrennt ist.

⚠ VORSICHT: Säubern Sie die Schutzhaube, um sicherzugehen, dass kein angesammeltes Sägemehl und keine Späne vorhanden sind, die die Funktion des Schutzsystems beeinträchtigen können. Ein verschmutztes Schutzsystem kann die ordnungsgemäße Funktion einschränken, was zu schweren Personenschäden führen kann. Am effektivsten kann diese Reinigung mit Druckluft durchgeführt werden. **Verwenden Sie unbedingt einen geeigneten Augenschutz und eine Atemmaske, um sich vor dem aus der Schutzhaube herausgeblasenen Staub zu schützen.**

ANMERKUNG: Verwenden Sie auf keinen Fall Benzin, Waschbenzin, Verdünnern, Alkohol oder dergleichen. Solche Mittel können Verfärbung, Verformung oder Rissbildung verursachen.

Auswechseln der Kohlebürsten

► **Abb.26:** 1. Verschleißgrenze

Überprüfen Sie die Kohlebürsten regelmäßig. Wechseln Sie sie aus, wenn sie bis zur Verschleißgrenze abgenutzt sind. Halten Sie die Kohlebürsten stets sauber, damit sie ungehindert in den Haltern gleiten können. Beide Kohlebürsten sollten gleichzeitig ausgewechselt werden. Verwenden Sie nur identische Kohlebürsten.

1. Drehen Sie die Bürstenhalterkappen mit einem Schraubendreher heraus.
2. Nehmen Sie die abgenutzten Kohlebürsten heraus, setzen Sie die neuen ein, und drehen Sie dann die Bürstenhalterkappen wieder ein.

► **Abb.27:** 1. Bürstenhalterkappe

Um die SICHERHEIT und ZUVERLÄSSIGKEIT dieses Produkts zu gewährleisten, sollten Reparaturen und andere Wartungs- oder Einstellarbeiten nur von Makita-Vertragswerkstätten oder Makita-Kundendienstzentren unter ausschließlicher Verwendung von Makita-Originalersatzteilen ausgeführt werden.

SONDERZUBEHÖR

⚠ VORSICHT: Die folgenden Zubehörteile oder Vorrichtungen werden für den Einsatz mit dem in dieser Anleitung beschriebenen Makita-Werkzeug empfohlen. Die Verwendung anderer Zubehörteile oder Vorrichtungen kann eine Verletzungsgefahr darstellen. Verwenden Sie Zubehörteile oder Vorrichtungen nur für ihren vorgesehenen Zweck.

Wenn Sie weitere Einzelheiten bezüglich dieser Zubehörteile benötigen, wenden Sie sich bitte an Ihre Makita-Kundendienststelle.

- Führungsschiene
- 90°-Nutenschneidblatt
- 135°-Nutenschneidblatt
- Führungsplatte
- Kreissägeblatt
- Parallelanschlag (Richtlineal)
- Klemme
- Inbusschlüssel
- Plattensatz für Führungsschiene
- Gummiplattensatz für Führungsschiene
- Positionsplatte für Führungsschiene
- Winkelführungssatz

HINWEIS: Manche Teile in der Liste können als Standardzubehör im Werkzeugsatz enthalten sein. Sie können von Land zu Land unterschiedlich sein.







DATI TECNICI

Modello:	CA5000
Diametro lama per scanalatore	118,0 mm
Diametro lama per sega circolare	165,0 mm
Profondità massima di taglio (con lama per scanalatore)	11,0 mm
Profondità massima di taglio (con lama per sega circolare)	36,0 mm
Velocità a vuoto	2.200 - 6.400 min ⁻¹
Lunghezza totale	346 mm
Peso netto	4,7 kg
Classe di sicurezza	□/II

- In conseguenza del nostro programma di ricerca e sviluppo continui, i dati tecnici nel presente manuale sono soggetti a modifiche senza preavviso.
- I dati tecnici possono variare da nazione a nazione.
- Peso in base alla procedura EPTA 01/2014

Simboli

Le figure seguenti mostrano i simboli utilizzati per l'apparecchio. Accertarsi di comprenderne il significato prima dell'uso.

	Leggere il manuale d'uso.
	DOPPIO ISOLAMENTO
	Indossare occhiali di sicurezza.
	Lama per scanalatore
	Lama per sega circolare
	Solo per le nazioni della UE Non smaltire gli apparecchi elettrici insieme ai rifiuti domestici! In conformità alla Direttiva Europea sui rifiuti di apparecchiature elettriche ed elettroniche (RAEE), e alla sua implementazione in base alla legge nazionale, gli apparecchi elettrici che hanno raggiunto la fine della loro vita utile devono essere sottoposti a raccolta differenziata e conferiti a una struttura di riciclaggio ecocompatibile.

Utilizzo previsto

L'utensile è destinato specificamente al taglio di scanalature in tavole composite fabbricate in alluminio, plastica, plastica contenente minerali e materiali simili. Se l'utensile viene dotato di un lama per sega circolare corretta, può venire utilizzato per segare legno e alluminio.

Alimentazione

L'utensile deve essere collegato a una fonte di alimentazione con la stessa tensione indicata sulla targhetta del nome, e può funzionare solo a corrente alternata monofase. L'utensile è dotato di doppio isolamento, per cui può essere utilizzato con prese elettriche sprovviste di messa a terra.

Rumore

Livello tipico di rumore pesato A determinato in base allo standard EN62841:

Livello di pressione sonora (L_{pA}): 88 dB (A)

Livello di potenza sonora (L_{WA}): 99 dB (A)

Incertezza (K): 3 dB (A)

NOTA: Il valore o i valori dichiarati delle emissioni di rumori sono stati misurati in conformità a un metodo standard di verifica, e possono essere utilizzati per confrontare un utensile con un altro.

NOTA: Il valore o i valori dichiarati delle emissioni di rumori possono venire utilizzati anche per una valutazione preliminare dell'esposizione.

AVVERTIMENTO: Indossare protezioni per le orecchie.

AVVERTIMENTO: L'emissione di rumori durante l'utilizzo effettivo dell'utensile elettrico può variare rispetto al valore o ai valori dichiarati, a seconda dei modi in cui viene utilizzato l'utensile e specialmente a seconda di che tipo di pezzo venga lavorato.

AVVERTIMENTO: Accertarsi di identificare misure di sicurezza per la protezione dell'operatore che siano basate su una stima dell'esposizione nelle condizioni effettive di utilizzo (tenendo conto di tutte le parti del ciclo operativo, ad esempio del numero di spegnimenti dell'utensile e di quando giri a vuoto, oltre al tempo di attivazione).

Vibrazioni

Valore totale delle vibrazioni (somma vettoriale triassiale) determinato in base allo standard EN62841: Modalità di lavoro: scanalatura di materiale composito in alluminio

Emissione di vibrazioni (a_h): 2,5 m/s² o inferiore
Incertezza (K): 1,5 m/s²

Modalità di lavoro: taglio del legno

Emissione di vibrazioni ($a_{h,w}$): 2,5 m/s² o inferiore
Incertezza (K): 1,5 m/s²

Modalità di lavoro: taglio di metallo

Emissione di vibrazioni ($a_{h,M}$): 2,5 m/s² o inferiore
Incertezza (K): 1,5 m/s²

NOTA: Il valore o i valori complessivi delle vibrazioni dichiarati sono stati misurati in conformità a un metodo standard di verifica, e possono essere utilizzati per confrontare un utensile con un altro.

NOTA: Il valore o i valori complessivi delle vibrazioni dichiarati possono venire utilizzati anche per una valutazione preliminare dell'esposizione.

⚠AVVERTIMENTO: L'emissione delle vibrazioni durante l'utilizzo effettivo dell'utensile elettrico può variare rispetto al valore o ai valori dichiarati, a seconda dei modi in cui viene utilizzato l'utensile, specialmente a seconda di che tipo di pezzo venga lavorato.

⚠AVVERTIMENTO: Accertarsi di identificare misure di sicurezza per la protezione dell'operatore che siano basate su una stima dell'esposizione nelle condizioni effettive di utilizzo (tenendo conto di tutte le parti del ciclo operativo, ad esempio del numero di spegnimenti dell'utensile e di quando giri a vuoto, oltre al tempo di attivazione).

Dichiarazione di conformità CE

Solo per i paesi europei

La dichiarazione di conformità CE è inclusa nell'Allegato A al presente manuale di istruzioni.

Avvertenze generali relative alla sicurezza dell'utensile elettrico

⚠AVVERTIMENTO: Leggere tutte le avvertenze di sicurezza, le istruzioni, le illustrazioni e i dati tecnici forniti con il presente utensile elettrico. La mancata osservanza di tutte le istruzioni elencate di seguito potrebbe risultare in scosse elettriche, incendi e/o gravi lesioni personali.

Conservare tutte le avvertenze e le istruzioni come riferimento futuro.

Il termine "utensile elettrico" nelle avvertenze si riferisce sia all'utensile elettrico (cablato) nel funzionamento alimentato da rete elettrica che all'utensile elettrico (a batteria) nel funzionamento alimentato a batteria.

Avvertenze per la sicurezza della sega circolare

Procedure di taglio

1. **⚠PERICOLO:** Tenere le mani lontane dall'area di taglio e dalla lama. Tenere la mano che non impugna l'utensile sul manico ausiliario o sull'alloggiamento del motore. Se si mantiene la sega con entrambe le mani, queste ultime non possono venire tagliate dalla lama.
2. **Non mettere le mani sotto il pezzo.** La protezione non può proteggere l'operatore dalla lama al di sotto del pezzo.
3. **Regolare la profondità di taglio in base allo spessore del pezzo.** Sotto il pezzo i denti della lama dovrebbero essere visibili per una lunghezza inferiore a un intero dente.
4. **Non mantenere mai tra le mani o appoggiato di traverso sulla gamba il pezzo in lavorazione durante il taglio. Fissare il pezzo in lavorazione su una piattaforma stabile.** È importante sostenere correttamente il pezzo in lavorazione per ridurre al minimo l'esposizione del corpo, gli inceppamenti della lama o la perdita di controllo.

► Fig.1

5. **Mantenere l'utensile elettrico per le superfici di impugnatura isolate quando si intende eseguire un'operazione in cui l'utensile da taglio potrebbe entrare in contatto con fili elettrici nascosti o con il proprio cavo di alimentazione.** Il contatto con un filo elettrico sotto tensione mette sotto tensione anche le parti metalliche esposte dell'utensile elettrico, e potrebbe causare una scossa elettrica all'operatore.
6. **Quando si intende eseguire tagli longitudinali, utilizzare sempre una guida di taglio o una guida per bordi diritti.** In tal modo si migliora la precisione del taglio e si riduce il rischio che la lama si blocchi.
7. **Utilizzare sempre lame con dimensione e forma corretta (a diamante rispetto a quella circolare) dei fori per l'albero.** Le lame che non corrispondono all'attacco di montaggio della sega girano decentrate, causando la perdita di controllo.
8. **Non utilizzare mai rondelle o bulloni per la lama danneggiati o errati.** Le rondelle e i bulloni per la lama sono stati progettati appositamente per le prestazioni ottimali e per la sicurezza d'uso della sega.

Cause dei contraccolpi e avvertenze correlate

- il contraccolpo è una reazione improvvisa dovuta a una lama incastrata, inceppata o disallineata, che causa il sollevamento fuori dal pezzo in lavorazione e verso l'operatore di una sega fuori controllo;
- quando la lama è incastrata o inceppata con forza dal taglio che si chiude, la lama entra in stallo e la reazione del motore spinge rapidamente all'indietro l'unità verso l'operatore;
- qualora la lama si deformi o si disallinei nel taglio, i denti sul bordo posteriore della lama possono scavare nella superficie superiore del legno facendola fuoriuscire dal taglio e rimbalzare all'indietro verso l'operatore.

Il contraccolpo è il risultato dell'uso improprio della sega e/o di procedure o condizioni operative errate, e può essere evitato adottando le precauzioni appropriate indicate di seguito.

- 1. Mantenere una presa solida con entrambe le mani sulla sega, e posizionare le braccia in modo da resistere alle forze del contraccolpo. Posizionare il corpo da un lato o dall'altro della lama, e non allineato con quest'ultima.**
Un contraccolpo potrebbe far saltare all'indietro la sega, ma le sue forze possono essere controllate dall'operatore, se vengono adottate le precauzioni appropriate.
- 2. Quando la lama si sta bloccando, oppure se per un qualsiasi motivo si intende interrompere il taglio, rilasciare l'interruttore e tenere la sega immobile nel materiale fino al suo arresto completo. Non cercare mai di rimuovere la sega dal pezzo o di tirarla all'indietro mentre la lama è in movimento, oppure si potrebbe verificare un contraccolpo.** Indagare e adottare delle misure correttive per eliminare la causa del blocco della lama.
- 3. Quando si riavvia una sega all'interno di un pezzo in lavorazione, centrare la lama nel taglio in modo che i denti della sega non siano in contatto con il materiale.** Qualora la lama si inceppi, potrebbe risalire o produrre un contraccolpo dal pezzo in lavorazione quando la sega viene riavviata.
- 4. Supportare i pannelli di grandi dimensioni per ridurre al minimo il rischio che la lama resti incastrata e i contraccolpi.** I pannelli di grandi dimensioni tendono a flettersi sotto il loro stesso peso. È necessario sistemare dei sostegni sotto il pannello su entrambi i lati, vicino alla linea di taglio e in prossimità dei bordi del pannello.

► Fig.2

► Fig.3

- 5. Non utilizzare lame smussate o danneggiate.** Le lame non affilate o non applicate correttamente producono un taglio stretto che può causare frizione eccessiva, blocchi della lama e contraccolpi.
- 6. Le leve di blocco della profondità della lama e di regolazione del taglio a unghia devono essere fissate saldamente prima del taglio.** Qualora la regolazione della lama si sposti durante il taglio, potrebbe causare un blocco o un contraccolpo della lama.
- 7. Fare particolarmente attenzione quando si intende segare in pareti esistenti o altre aree cieche.** La lama che sporge potrebbe tagliare oggetti che possono causare contraccolpi.
- 8. Tenere SEMPRE saldamente l'utensile con entrambe le mani. Non posizionare MAI una mano, una gamba o qualsiasi altra parte del corpo sotto la base dell'utensile o dietro la sega, specialmente quando si intende eseguire tagli di testa.** Qualora si verifichi un contraccolpo, la sega potrebbe facilmente saltare all'indietro sulla mano, causando gravi lesioni personali.

► Fig.4

- 9. Non forzare mai la sega. Spingere in avanti la sega a una velocità tale che la lama tagli senza rallentare.** Qualora si forzi la sega, si potrebbero causare tagli irregolari, perdita di precisione e possibili contraccolpi.

Funzione della protezione

- 1. Controllare sempre che la protezione si chiuda correttamente prima di ciascun utilizzo. Non far funzionare la sega qualora la protezione non si sposti liberamente e non copra istantaneamente la lama. Non bloccare con una morsa né legare mai la protezione in modo da lasciare esposta la lama.** Qualora la sega dovesse cadere accidentalmente, la protezione potrebbe deformarsi. Verificare che la protezione sia libera di muoversi e che non tocchi la lama o altre parti dell'utensile, a tutti gli angoli e a tutte le profondità di taglio.
- 2. Controllare il funzionamento e le condizioni della molla di ritorno della protezione. Qualora la protezione e la molla non funzionino correttamente, è necessario sottoporli a interventi di assistenza prima dell'uso.** La protezione potrebbe funzionare lentamente a causa di parti danneggiate, depositi gommosi o accumulazione di detriti.
- 3. Accertarsi che la piastra di base della sega non si sposti durante l'esecuzione di un "taglio a immersione".** Lo spostamento laterale della lama causa inceppamenti e un probabile contraccolpo.
- 4. Accertarsi sempre che la protezione copra la lama prima di posare la sega sul banco di lavoro o sul pavimento.** Una lama non protetta in rotazione inerziale fa muovere all'indietro la sega, tagliando tutto ciò che incontra sul suo percorso. Tenere presente il tempo necessario alla lama per arrestarsi dopo il rilascio dell'interruttore.

Avvertenze aggiuntive per la sicurezza

- 1. Adottare estrema cautela quando si intende tagliare legno umido, legname trattato a pressione o legno contenente nodi.** Mantenere un avanzamento uniforme dell'utensile senza ridurre la velocità della lama, per evitare il surriscaldamento delle punte della lama e, qualora si intenda tagliare materiali plastici, per evitare la fusione della plastica.
- 2. Non cercare di rimuovere il materiale tagliato quando la lama è in movimento. Attendere che la lama si sia arrestata prima di afferrare il materiale tagliato.** Le lame continuano a girare per inerzia dopo lo spegnimento.
- 3. Evitare di tagliare i chiodi. Ispezionare il legname e rimuovere tutti i chiodi prima di eseguire tagli.**
- 4. Collocare la porzione più ampia della base della sega sulla parte del pezzo supportata saldamente, e non sulla sezione destinata a cadere una volta eseguito il taglio. Qualora il pezzo sia corto o piccolo, bloccarlo con una morsa. NON TENTARE DI TENERE IN MANO I PEZZI CORTI!**

► Fig.5

5. Prima di posare l'utensile dopo aver completato un taglio, accertarsi che la protezione si sia chiusa e che la lama si sia arrestata completamente.
6. Non tentare mai di segare con la sega circolare tenuta capovolta in una morsa. Ciò è estremamente pericoloso e può causare incidenti gravi.

► Fig.6

7. Alcuni materiali contengono sostanze chimiche che possono essere tossiche. Fare attenzione per evitare l'inalazione della polvere e il contatto con la pelle. Attenersi ai dati sulla sicurezza del fornitore del materiale.
8. Non arrestare la lama esercitando una pressione laterale sulla lama stessa.
9. Non utilizzare alcun tipo di dischi abrasivi.
10. Utilizzare esclusivamente una lama che abbia il diametro indicato sull'utensile o specificato nel manuale. L'uso di una lama di dimensioni errate potrebbe influire sulla corretta protezione della lama o sul funzionamento della protezione, il che potrebbe risultare in gravi lesioni personali.
11. **Mantenere la lama affilata e pulita.** Collanti e pece di legno induriti sulle lame rallentano la sega e aumentano la possibilità dei contraccolpi. Mantenere pulita la lama, innanzitutto rimuovendola dall'utensile e quindi pulendola con un solvente per collanti e pece di legno, quali acqua calda o cherosene. Non utilizzare mai benzina.
12. **Quando si utilizza l'utensile, indossare una mascherina antipolvere e protezioni acustiche.**
13. **Utilizzare sempre una lama destinata al taglio del materiale che si intende tagliare.**
14. **Utilizzare solo lame che siano contrassegnate con una velocità pari o superiore a quella contrassegnata sull'utensile.**
15. **(Solo per le nazioni europee)**
Utilizzare sempre una lama conforme allo standard EN847-1.

CONSERVARE LE PRESENTI ISTRUZIONI.

⚠AVVERTIMENTO: NON lasciare che comodità o la familiarità d'utilizzo con il prodotto (acquisita con l'uso ripetuto) sostituisca la stretta osservanza delle norme di sicurezza per il prodotto in questione. L'USO IMPROPRIO o la mancata osservanza delle norme di sicurezza indicate nel presente manuale di istruzioni potrebbero causare gravi lesioni personali.

DESCRIZIONE DELLE FUNZIONI

⚠ATTENZIONE: Accertarsi sempre che l'utensile sia spento e scollegato dall'alimentazione prima di regolare o controllare le sue funzioni.

Fermo rapido per il taglio di scanalature su tavole da 3, 4 o 6 mm di spessore

Ruotando il fermo rapido, è possibile scegliere rapidamente la profondità appropriata del taglio di scanalature su tavole da 3, 4 o 6 mm di spessore.

Il numero, visibile dal lato del manico, indica lo spessore della tavola del pezzo.

Per una regolazione precisa della profondità della scanalatura, utilizzare la manopola di regolazione della profondità.

► **Fig.7:** 1. Fermo rapido 2. Manopola di regolazione della profondità

La profondità di 0 mm è impostata correttamente quando l'utensile esce dalla fabbrica, ma se l'operatore ha modificato la profondità della scanalatura mediante la manopola di regolazione, regolare con precisione la profondità da 0 mm nel modo seguente:

1. Ruotare il fermo rapido su 0 mm.
2. Ruotare la manopola di regolazione della profondità per regolare quest'ultima.
3. Accertarsi che la lama non sia in contatto con il pezzo.
4. Mantenere saldamente l'utensile con una mano sull'impugnatura anteriore e con l'altra mano sul manico dell'utensile. Far rientrare il pulsante di sblocco premendolo, quindi accendere l'utensile.
5. Premere lentamente fino in fondo verso il basso la testa della sega, quindi verificare che la lama dello scanalatore non sia in contatto con il pezzo, ma lo sfiori appena. In caso contrario, arrestare l'utensile e attendere che la lama dello scanalatore si arresti completamente, quindi regolare la profondità ruotando di nuovo la manopola di regolazione della profondità.

Regolazione della profondità di taglio

Per regolare la profondità di taglio, ruotare la manopola di regolazione della profondità.

Per un taglio più profondo, ruotarla in senso orario. Per un taglio meno profondo, ruotarla in senso antiorario.

► **Fig.8:** 1. Manopola di regolazione della profondità

Allineamento

Un indicatore triangolare sulla base indica il centro della lama per scanalatore.

Quando si intende utilizzare la lama per scanalatore, allineare l'indicatore triangolare esterno con la linea di taglio.

Quando si intende utilizzare la lama per sega circolare (accessorio opzionale), allineare l'indicatore triangolare interno con la linea di taglio.

► **Fig.9:** 1. Base 2. Indicatore triangolare esterno 3. Indicatore triangolare interno 4. Linea di taglio

Utilizzo dell'interruttore

⚠ATTENZIONE: Prima di collegare l'utensile all'alimentazione elettrica, controllare sempre che l'interruttore a grilletto funzioni correttamente e che torni sulla posizione "OFF" quando viene rilasciato.

È fornito un pulsante di sblocco, per evitare che l'interruttore a grilletto venga premuto accidentalmente. Per avviare l'utensile, far rientrare il pulsante di sblocco premendolo e premere l'interruttore a grilletto. Per arrestare l'utensile, rilasciare l'interruttore a grilletto.
► Fig.10: 1. Pulsante di sblocco 2. Interruttore a grilletto

Selettore di regolazione della velocità

⚠ATTENZIONE: Il selettore di regolazione della velocità non serve per utilizzare lame a bassa velocità nominale, ma per il raggiungimento di una velocità appropriata al materiale del pezzo. Utilizzare solo lame con caratteristiche nominali adatte almeno alla velocità massima a vuoto indicata nei DATI TECNICI.

⚠ATTENZIONE: Il selettore di regolazione della velocità può essere ruotato solo fino a 6 e indietro fino a 1. **Non forzarlo oltre 6 o 1, in caso contrario la funzione di regolazione potrebbe non operare più.**

È possibile regolare la velocità dell'utensile ruotando il selettore di regolazione. La velocità più elevata si ottiene quando il selettore viene ruotato verso il numero 6, mentre la velocità più bassa si ottiene quando viene ruotato verso il numero 1. Consultare la tabella per selezionare la velocità corretta per il pezzo da tagliare. Tuttavia, la velocità appropriata può variare anche in base al tipo e allo spessore del pezzo. In genere, velocità più elevate consentono un taglio più rapido dei pezzi, ma riducono la vita utile della lama.

Numero	min ⁻¹
1	2.200
2	2.700
3	3.800
4	4.900
5	6.000
6	6.400

► Fig.11: 1. Selettore di regolazione della velocità

Piastra guida

Per allineare il binario guida (accessorio opzionale) con la linea di taglio, utilizzare la piastra guida.

► Fig.12: 1. Piastra guida 2. Bordo della piastra 3. Linea di taglio

1. Posizionare la piastra guida sul binario guida in prossimità del punto di inizio del taglio. Il bordo della piastra rappresenta il centro della lama per scanalatore. Allineare il bordo della piastra con la linea di taglio.
2. Poi, posizionare di nuovo la piastra guida sul binario guida in prossimità del punto di fine del taglio. Quindi, allineare di nuovo il bordo della piastra con la linea di taglio.

Altre funzioni

Gli utensili dotati di funzioni elettroniche sono facili da usare grazie alle caratteristiche seguenti.

Protezione da sovraccarico

Quando il carico sull'utensile eccede i livelli ammissibili, la potenza del motore viene ridotta per proteggere quest'ultimo dal surriscaldamento. Quando il carico torna a livelli ammissibili, l'utensile torna a funzionare normalmente.

Controllo costante della velocità

Controllo elettronico della velocità, per ottenere una velocità costante. Consente di ottenere finiture precise, in quanto la velocità di rotazione viene mantenuta costante anche in condizioni di carico.

Funzione di avvio morbido

Avvio morbido, grazie alla soppressione dell'impatto di avvio.

MONTAGGIO

⚠ATTENZIONE: Accertarsi sempre che l'utensile sia spento e scollegato dall'alimentazione elettrica, prima di effettuare qualsiasi intervento su di esso.

Alloggiamento della chiave esagonale

La chiave esagonale viene conservata sull'utensile. Per rimuovere la chiave esagonale, è sufficiente estrarla. Per installare la chiave esagonale, posizionarla sull'impugnatura e inserirla fino in fondo.

► Fig.13: 1. Chiave esagonale

Rimozione o installazione della lama per scanalatore

⚠ATTENZIONE: Non utilizzare lame che non siano conformi alle caratteristiche specificate nelle presenti istruzioni.

⚠ATTENZIONE: Utilizzare solo lame con caratteristiche nominali adatte almeno alla velocità massima a vuoto indicata nei DATI TECNICI.

⚠ATTENZIONE: Accertarsi di installare la lama con i denti rivolti verso l'alto nella parte anteriore dell'utensile.

⚠ATTENZIONE: Per l'installazione o la rimozione della lama, utilizzare solo la chiave Makita.

Per rimuovere la lama per scanalatore, attenersi alla procedura seguente:

1. Appoggiare a terra l'utensile in modo che l'alloggiamento del motore e la base tocchino il pavimento. Quindi, inserire la chiave esagonale nel foro esagonale, premerla verso l'interno, quindi aprire lo sportello dell'alloggiamento della lama ruotando la chiave esagonale.

► Fig.14

2. Premere a fondo il blocco dell'albero in modo che la lama non possa girare, quindi allentare il bullone esagonale in senso antiorario con la chiave.

► **Fig.15:** 1. Blocco dell'albero 2. Bullone esagonale

3. Rimuovere il bullone esagonale, la flangia esterna e la lama.

► **Fig.16:** 1. Bullone esagonale 2. Flangia esterna
3. Lama per scanalatore 4. Flangia interna

Per installare la lama, eseguire la procedura di rimozione al contrario. **Accertarsi di serrare saldamente in senso orario il bullone esagonale.** Quindi, chiudere lo sportello dell'alloggiamento della lama dopo aver installato quest'ultima.

Quando si cambia la lama, accertarsi di pulire anche la protezione dalla segatura e dai trucioli accumulati, come descritto nella sezione Manutenzione. Tali operazioni non sostituiscono la necessità di controllare il funzionamento della protezione prima di ciascun utilizzo.

Uso della lama per sega circolare

Accessorio opzionale

NOTA: Non installare la gonna quando si intende utilizzare la lama per sega circolare. In caso contrario, la lama per sega circolare colpirebbe la gonna e danneggerebbe l'utensile.

Per installare la lama per sega circolare (accessorio opzionale), attenersi alla procedura seguente:

1. Rimuovere due bulloni, quindi rimuovere la gonna.

► **Fig.17:** 1. Gonna

2. Rimuovere la lama per scanalatore.

3. Far scivolare all'interno la lama per sega circolare attraverso l'apertura che era coperta dalla gonna.

4. Installare la lama per sega circolare in modo analogo alla lama per scanalatore. Quindi, chiudere lo sportello dell'alloggiamento della lama dopo aver installato quest'ultima.

► **Fig.18:** 1. Bullone esagonale 2. Flangia esterna
3. Lama per sega circolare 4. Flangia interna

5. Regolare la profondità di taglio ruotando la manopola di regolazione della profondità.

Guida di taglio (righello guida)

Accessorio opzionale

ATTENZIONE: Non utilizzare la guida di taglio con la lama per scanalatore. Utilizzare la guida di taglio solo quando si intende utilizzare l'utensile con la lama per sega circolare (accessorio opzionale).

► **Fig.19:** 1. Guida di taglio (righello guida)

La comoda guida di taglio consente di realizzare tagli dritti della massima precisione. È sufficiente far scorrere la guida di taglio aderente al fianco del pezzo e fissarla in posizione con le viti sul davanti e sul retro della base. La guida consente anche di realizzare tagli ripetuti di larghezza uniforme.

Il capovolgimento della guida di taglio (righello guida) ne consente anche l'utilizzo come base secondaria per l'utensile.

Fermo per la profondità di taglio da 2 a 3 mm quando si utilizza la lama per sega circolare (accessorio opzionale) e il binario guida (accessorio opzionale)

► **Fig.20:** 1. Fermo 2. Indicatore rosso

Questo utensile dispone di un fermo per la profondità di taglio compresa tra 2 e 3 mm sull'alloggiamento degli ingranaggi situato accanto alla maniglia posteriore quando si utilizza il binario guida.

È possibile evitare di produrre scegge sul pezzo effettuando un primo passaggio di taglio da 2 a 3 mm e quindi un altro passaggio del taglio consueto.

Innanzitutto, far rientrare il fermo premendolo verso la lama per sega circolare, per ottenere una profondità di taglio da 2 a 3 mm.

Quindi, tirare indietro il pulsante per eseguire un taglio a profondità libera.

Accertarsi che il fermo sia sbloccato e che l'indicatore rosso sia visibile per un'operazione di scanalatura.

Collegamento di un aspiratore

Per eseguire delle operazioni di scanalatura pulite, collegare un aspiratore Makita all'utensile.

Collegare il tubo flessibile dell'aspiratore alla porta di uscita della polvere.

► **Fig.21:** 1. Aspiratore 2. Porta di uscita della polvere

FUNZIONAMENTO

ATTENZIONE: Utilizzare sempre l'impugnatura anteriore e il manico posteriore e mantenere saldamente l'utensile sia mediante l'impugnatura anteriore che il manico posteriore durante le operazioni.

Binario guida

Accessorio opzionale

Utilizzare sempre il binario guida per operazioni di scanalatura.

Posizionare l'utensile sull'estremità posteriore del binario guida.

Ruotare due viti di regolazione sulla base dell'utensile, affinché quest'ultimo scorra in modo fluido senza produrre rumori.

► **Fig.22:** 1. Viti di regolazione

Taglio di scanalature

⚠ATTENZIONE: Accertarsi di spostare delicatamente l'utensile in avanti in linea retta. La forzatura o la torsione dell'utensile potrebbero causare il surriscaldamento del motore e pericolosi contraccolpi, con conseguente possibilità di gravi lesioni personali.

⚠ATTENZIONE: Non avvicinare mai alcuna parte del corpo al di sotto della base dell'utensile quando si intende eseguire tagli di profili, specialmente all'avvio. In caso contrario, si potrebbero causare gravi lesioni personali. La lama è esposta al di sotto della base dell'utensile.

⚠ATTENZIONE: Per evitare lesioni personali, indossare occhiali di protezione.

⚠ATTENZIONE: Per eseguire operazioni di scanalatura, collegare sempre l'utensile a un aspiratore.

⚠ATTENZIONE: Tenere l'utensile saldamente. L'utensile è provvisto sia di un'impugnatura anteriore che di un manico posteriore. Utilizzarli entrambi per afferrare in modo ottimale l'utensile. Se si tiene la sega con entrambe le mani, queste ultime non possono venire tagliate dalla lama.

► Fig.23

1. Regolare la profondità di taglio.
2. Sistemare l'utensile sul binario guida.
3. Allineare il binario guida lungo la linea di taglio utilizzando la piastra guida. Accertarsi che la lama non sia in contatto con il pezzo.
4. Far rientrare il pulsante di sblocco premendolo e accendere l'utensile, quindi attendere che lama abbia raggiunto la velocità massima.
5. Premere lentamente verso il basso l'utensile fino alla profondità di taglio preimpostata, quindi far avanzare semplicemente l'utensile sulla superficie del pezzo, mantenendolo in piano e avanzando in modo uniforme fino al completamento del taglio.
6. Al completamento del taglio, rilasciare l'interruttore e attendere che la lama si arresti, quindi ritirare l'utensile.

Per ottenere dei tagli puliti, mantenere diritta la linea di taglio e avanzare a velocità uniforme. Qualora l'utensile non riesca a seguire correttamente la linea di taglio desiderata, **non cercare di ruotarlo o forzarlo in modo da farlo tornare sulla linea di taglio**. In caso contrario, si potrebbe far bloccare la lama e causare pericolosi contraccolpi con possibilità di gravi lesioni personali.

Taglio a immersione (ritaglio)

⚠AVVERTIMENTO: Per evitare contraccolpi, accertarsi di attenersi alle istruzioni seguenti.

1. Posizionare l'utensile sul binario guida, con il bordo posteriore della base dell'utensile appoggiato contro un fermo fisso o equivalente fissato al binario guida con una morsa.

► Fig.24: 1. Fermo fisso

2. Mantenere saldamente l'utensile con una mano sull'impugnatura anteriore e con l'altra mano sul manico dell'utensile. Far rientrare il pulsante di sblocco premendolo e accendere l'utensile, quindi attendere che lama abbia raggiunto la velocità massima.

3. Premere lentamente verso il basso la testa della sega fino alla profondità di taglio preimpostata, quindi far avanzare l'utensile fino alla posizione di immersione desiderata.

NOTA: L'indicatore triangolare sull'alloggiamento della lama indica il centro approssimativo della lama.

► Fig.25: 1. Indicatore triangolare

MANUTENZIONE

⚠ATTENZIONE: Accertarsi sempre che l'utensile sia spento e scollegato dall'alimentazione elettrica, prima di tentare di eseguire interventi di ispezione o manutenzione.

⚠ATTENZIONE: Pulire la protezione per assicurare che non siano presenti segatura e trucioli accumulati, che potrebbero impedire il funzionamento del sistema di protezione. Un sistema di protezione sporco potrebbe limitare il funzionamento corretto, il che potrebbe risultare in gravi lesioni personali. Il modo più efficace per ottenere tale pulizia è l'uso di aria compressa. **Qualora la polvere venga soffiata al di fuori della protezione, assicurarsi di utilizzare protezioni appropriate per occhi e respirazione.**

AVVISO: Non utilizzare mai benzina, benzene, solventi, alcol o altre sostanze simili. In caso contrario, si potrebbero causare scolorimenti, deformazioni o crepe.

Sostituzione delle spazzole in carbonio

► Fig.26: 1. Indicatore di limite

Controllare a intervalli regolari le spazzole in carbonio. Sostituirle quando si sono usurate fino all'indicatore di limite. Mantenere sempre le spazzole in carbonio pulite e facili da inserire negli alloggiamenti. Entrambe le spazzole in carbonio vanno sostituite contemporaneamente. Utilizzare solo spazzole in carbonio identiche.

1. Utilizzare un cacciavite per rimuovere i cappucci degli alloggiamenti delle spazzole.
2. Estrarre le spazzole in carbonio consumate, inserire quelle nuove e fissare i cappucci degli alloggiamenti delle spazzole.

► Fig.27: 1. Cappuccio dell'alloggiamento della spazzola

Per preservare la SICUREZZA e l'AFFIDABILITÀ del prodotto, le riparazioni e qualsiasi altro intervento di manutenzione e di regolazione devono essere eseguiti da un centro di assistenza autorizzato Makita, utilizzando sempre ricambi Makita.

ACCESSORI OPZIONALI

⚠ATTENZIONE: Questi accessori o componenti aggiuntivi sono consigliati per l'uso con l'utensile Makita specificato nel presente manuale.

L'impiego di altri accessori o componenti aggiuntivi può costituire un rischio di lesioni alle persone.

Utilizzare gli accessori o i componenti aggiuntivi solo per il loro scopo prefissato.

Per ottenere ulteriori dettagli relativamente a questi accessori, rivolgersi a un centro di assistenza Makita.

- Binario guida
- Lama per scanalature a 90°
- Lama per scanalature a 135°
- Piastra guida
- Lama per sega circolare
- Guida di taglio (righello guida)
- Morsa
- Chiave esagonale
- Serie di fogli per binario guida
- Serie di fogli di gomma per binario guida
- Serie di fogli di posizione per binario guida
- Kit guida di taglio a unghia

NOTA: Alcuni articoli nell'elenco potrebbero essere inclusi nell'imballaggio dell'utensile come accessori standard. Tali articoli potrebbero variare da nazione a nazione.

TECHNISCHE GEGEVENS

Model:	CA5000
Diameter van groefzaagblad	118,0 mm
Diameter van cirkelzaagblad	165,0 mm
Max. zaagdiepte (met groefzaagblad)	11,0 mm
Max. zaagdiepte (met cirkelzaagblad)	36,0 mm
Nullasttoerental	2.200 - 6.400 min ⁻¹
Totale lengte	346 mm
Netto gewicht	4,7 kg
Veiligheidsklasse	□/II

- In verband met ononderbroken research en ontwikkeling behouden wij ons het recht voor bovenstaande technische gegevens te wijzigen zonder voorafgaande kennisgeving.
- De technische gegevens kunnen van land tot land verschillen.
- Gewicht volgens EPTA-procedure 01/2014

Symbolen

Hieronder staan de symbolen die voor het gereedschap kunnen worden gebruikt. Zorg ervoor dat u de betekenis ervan kent voordat u het gereedschap gaat gebruiken.

	Lees de gebruiksaanwijzing.
	DUBBEL GEÏSOLEERD
	Draag een veiligheidsbril.
	Groefzaagblad
	Cirkelzaagblad
	Alleen voor EU-landen Geef elektrisch gereedschap niet met het huisvuil mee! Volgens de Europese richtlijn inzake oude elektrische en elektronische apparaten en de toepassing daarvan binnen de nationale wetgeving, dient gebruikt elektrisch gereedschap gescheiden te worden ingezameld en te worden afgevoerd naar een recyclebedrijf dat voldoet aan de geldende milieueisen.

Gebruiksdoelinden

Het gereedschap is specifiek bedoeld voor het zagen van groeven in sandwichplaten gemaakt van aluminium, kunststof, minerale kunststof en soortgelijke materialen.

Als het gereedschap is uitgerust met het juiste cirkelzaagblad, kan het gereedschap worden gebruikt voor het zagen van hout en aluminium.

Voeding

Het gereedschap mag alleen worden aangesloten op een voeding van dezelfde spanning als aangegeven op het typeplaatje, en kan alleen worden gebruikt op enkelfase-wisselstroom. Het gereedschap is dubbel-geïsoleerd en kan derhalve ook op een niet-geaard stopcontact worden aangesloten.

Geluidsniveau

De typische, A-gewogen geluidsniveaus zijn gemeten volgens EN62841:

Geluidsdrukniveau (L_{PA}): 88 dB (A)

Geluidsvermogeniveau (L_{WA}): 99 dB (A)

Onzekerheid (K): 3 dB (A)

OPMERKING: De opgegeven geluidsemisiewaarde(n) is/zijn gemeten volgens een standaardtestmethode en kan/kunnen worden gebruikt om dit gereedschap te vergelijken met andere gereedschappen.

OPMERKING: De opgegeven geluidsemisiewaarde(n) kan/kunnen ook worden gebruikt voor een beoordeling vooraf van de blootstelling.

⚠WAARSCHUWING: Draag gehoorbescherming.

⚠WAARSCHUWING: De geluidsemisie tijdens het gebruik van het elektrisch gereedschap in de praktijk kan verschillen van de opgegeven waarde(n) afhankelijk van de manier waarop het gereedschap wordt gebruikt, met name van het soort werkstuk waarmee wordt gewerkt.

⚠WAARSCHUWING: Zorg ervoor dat veiligheidsmaatregelen worden getroffen ter bescherming van de gebruiker die zijn gebaseerd op een schatting van de blootstelling onder praktijkomstandigheden (rekening houdend met alle fasen van de bedrijfscyclus, zoals de tijdsduur gedurende welke het gereedschap is uitgeschakeld en stationair draait, naast de ingeschakelde tijdsduur).

Trilling

De totale trillingswaarde (triaxiale vectorsom) zoals vastgesteld volgens EN62841:

Gebruikstoepassing: zagen van groeven in

aluminiumcomposietmateriaal

Trillingsemissie ($a_{h,v}$): 2,5 m/s² of lager

Onzekeerheid (K): 1,5 m/s²

Gebruikstoepassing: zagen van hout

Trillingsemissie ($a_{h,w}$): 2,5 m/s² of lager

Onzekeerheid (K): 1,5 m/s²

Gebruikstoepassing: zagen van metaal

Trillingsemissie ($a_{h,M}$): 2,5 m/s² of lager

Onzekeerheid (K): 1,5 m/s²

OPMERKING: De totale trillingswaarde(n) is/zijn gemeten volgens een standaardtestmethode en kan/kunnen worden gebruikt om dit gereedschap te vergelijken met andere gereedschappen.

OPMERKING: De opgegeven totale trillingswaarde(n) kan/kunnen ook worden gebruikt voor een beoordeling vooraf van de blootstelling.

⚠ WAARSCHUWING: De trillingsemissie tijdens het gebruik van het elektrisch gereedschap in de praktijk kan verschillen van de opgegeven waarde(n) afhankelijk van de manier waarop het gereedschap wordt gebruikt, met name van het soort werkstuk waarmee wordt gewerkt.

⚠ WAARSCHUWING: Zorg ervoor dat veiligheidsmaatregelen worden getroffen ter bescherming van de gebruiker die zijn gebaseerd op een schatting van de blootstelling onder praktijkomstandigheden (rekening houdend met alle fasen van de bedrijfscyclus, zoals de tijdsduur gedurende welke het gereedschap is uitgeschakeld en stationair draait, naast de ingeschakelde tijdsduur).

EG-verklaring van conformiteit

Alleen voor Europese landen

De EG-verklaring van conformiteit is bijgevoegd als Bijlage A bij deze gebruiksaanwijzing.

Algemene veiligheids waarschuwingen voor elektrisch gereedschap

⚠ WAARSCHUWING: Lees alle veiligheids waarschuwingen, aanwijzingen, afbeeldingen en technische gegevens behorend bij dit elektrische gereedschap aandachtig door. Als u niet alle onderstaande aanwijzingen naleeft, kan dat resulteren in brand, elektrische schokken en/of ernstig letsel.

Bewaar alle waarschuwingen en instructies om in de toekomst te kunnen raadplegen.

De term "elektrisch gereedschap" in de veiligheidsvoorwaarden duidt op gereedschappen die op stroom van het lichtnet werken (met snoer) of gereedschappen met een accu (snoerloos).

Veiligheids waarschuwingen voor een cirkelzaag

Werkwijze bij het zagen

- ⚠ GEVAAR:** Houd uw handen uit de buurt van het zaaggebied en het zaagblad. Houd met uw andere hand de voorhandgreep of de behuizing van het gereedschap vast. Als u de zaag met beide handen vasthoudt, kunt u nooit in uw handen zagen.
- Reik nooit met uw handen onder het werkstuk.** De beschermkap kan u niet beschermen tegen het zaagblad onder het werkstuk.
- Stel de zaagdiepte in overeenkomstig de dikte van het werkstuk.** Minder dan een volledige tandhoogte dient onder het werkstuk uit te komen.
- Houd tijdens het zagen het werkstuk nooit vast met uw handen of benen.** Zorg dat het werkstuk stabiel is ten opzichte van de ondergrond. Het is belangrijk het werkstuk goed te ondersteunen om de kans te minimaliseren dat uw lichaam eraan blootgesteld wordt, het zaagblad vastloopt of u de controle over het gereedschap verliest.

► Fig.1

- Houd elektrisch gereedschap vast aan het geïsoleerde oppervlak van de handgrepen wanneer u werkt op plaatsen waar het snijgarrituur met verborgen bedrading of zijn eigen snoer in aanraking kan komen.** Door contact met onder spanning staande draden, zullen ook de niet-geïsoleerde metalen delen van het elektrisch gereedschap onder spanning komen te staan zodat de gebruiker een elektrische schok kan krijgen.
- Gebruik bij het schulpen altijd de breedtegeleider of de langseleider.** Hierdoor wordt de nauwkeurigheid van het zagen vergroot en de kans op vastlopen van het zaagblad verkleind.
- Gebruik altijd zaagbladen met een middengat van de juiste afmetingen en vorm (diamant versus rond).** Zaagbladen die niet goed passen op de bevestigingsmiddelen van de zaag, zullen uit-het-midden draaien waardoor u de controle over het gereedschap verliest.
- Gebruik nooit een beschadigde of verkeerde bouten en ringen om het zaagblad te bevestigen.** De bouten en ringen voor de bevestiging van het zaagblad zijn speciaal ontworpen voor gebruik met uw zaag voor optimale prestaties en veilig gebruik.

Oorzaken van terugslag en aanverwante waarschuwingen

- Terugslag is een plotselinge reactie op een bekneld, vastgelopen of niet-uitgelijnd zaagblad, waardoor de oncontroleerbare zaag omhoog, uit het werkstuk en in de richting van de gebruiker gaat.
- Wanneer het zaagblad bekneld raakt of vastloopt doordat de zaagsnede naar beneden toe smaller wordt, komt het zaagblad tot stilstand en komt als reactie de motor snel omhoog in de richting van de gebruiker.

- Als het zaagblad gebogen of niet-uitgelijnd raakt in de zaagsnede, kunnen de tanden aan de achterrand van het zaagblad zich in het bovenoppervlak van het hout vreten, waardoor het zaagblad uit de zaagsnede klimt en omhoog springt in de richting van de gebruiker.

Terugslag is het gevolg van misgebruik van de zaag en/of onjuiste gebruiksprocedures of -omstandigheden, en kan worden voorkomen door goede voorzorgsmaatregelen te treffen, zoals hieronder vermeld.

1. **Houd de zaag stevig vast met beide handen en houd uw armen zodanig dat een terugslag wordt opgevangen. Plaats uw lichaam zijwaarts versprongen van het zaagblad en niet in een rechte lijn erachter.** Door terugslag kan de zaag achterwaarts springen, maar de kracht van de terugslag kan met de juiste voorzorgsmaatregelen door de gebruiker worden opgevangen.
2. **Wanneer het zaagblad vastloopt, of wanneer u om een of andere reden het zagen onderbreekt, laat u de aan-uitschakelaar los en houdt u de zaag stil in het materiaal totdat het zaagblad volledig tot stilstand is gekomen. Probeer nooit de zaag uit het werkstuk te halen of de zaag naar achteren te trekken, terwijl het zaagblad nog draait omdat hierdoor een terugslag kan optreden.** Onderzoek waarom het zaagblad is vastgelopen en tref afdoende maatregelen om de oorzaak ervan op te heffen.
3. **Wanneer u de zaag weer inschakelt terwijl het zaagblad in het werkstuk zit, plaatst u het zaagblad in het midden van de zaagsnede zodat de tanden niet in het materiaal grijpen.** Als het zaagblad is vastgelopen, kan wanneer de zaag wordt ingeschakeld het zaagblad uit het werkstuk lopen of terugslaan.
4. **Ondersteun grote platen om de kans te minimaliseren dat het zaagblad bekneld raakt of terugslaat.** Grote platen neigen door te zakken onder hun eigen gewicht. U moet de plaat ondersteunen aan beide zijden, vlakbij de zaaglijn en vlakbij de rand van de plaat.

► Fig.2

► Fig.3

5. **Gebruik een bot of beschadigd zaagblad niet meer.** Niet-geslepen of verkeerd gezette tanden maken een smalle zaagsnede wat leidt tot grote wrijving, vastlopen en terugslag.
6. **De vergrendelhendels voor het instellen van de zaagbladdiepte en verstekhoek moeten vastgezet zijn alvorens te beginnen met zagen.** Als de afstellingen van het zaagblad tijdens het zagen verlopen, kan dit leiden tot vastlopen of terugslag.
7. **Wees extra voorzichtig wanneer u een invalzaagsnede maakt in een bestaande wand of een andere plaats waarvan u de onderkant niet kunt zien.** Het zaagblad zou een hard voorwerp kunnen raken, met als gevolg een gevaarlijke terugslag.
8. **Houd het gereedschap ALTIJD met beide handen stevig vast. Plaats NOOIT een hand, been of een ander lichaamsdeel onder zoolplaat of achter de zaag, speciaal bij het afkorten.** Als een terugslag optreedt, kan de zaag gemakkelijk achteruit en over uw hand springen waardoor ernstig persoonlijk letsel ontstaat.

► Fig.4

9. **Dwing de zaag nooit. Duw de zaag vooruit met een snelheid waarbij het zaagblad niet vertraagt.** Als u de zaag dwingt, kan dat leiden tot een ongelijkmatige zaagsnede, verminderde nauwkeurigheid en mogelijke terugslag.

Functie van de beschermkap

1. **Controleer voor ieder gebruik of de beschermkap goed sluit. Gebruik de zaag niet als de beschermkap niet vrij kan bewegen en onmiddellijk het zaagblad omsluit. Zet de beschermkap nooit vast in de geopende stand.** Als u de zaag per ongeluk laat vallen, kan de beschermkap worden verbogen. Controleer of de beschermkap vrij kan bewegen en het zaagblad of enig ander onderdeel niet raakt, onder alle verstekhoeken en op alle zaagdiepten.
2. **Controleer de werking en toestand van de trekveer van de beschermkap. Als de beschermkap en de veer niet goed werken, dienen deze te worden gerepareerd voordat het gereedschap wordt gebruikt.** De beschermkap kan traag werken als gevolg van beschadigde onderdelen, gom- of hardafzetting, of opeenhoping van vuil.
3. **Zorg ervoor dat de zoolplaat van de zaag bij invalzagen niet verschuift.** Zijwaarts verschuiven van het zaagblad veroorzaakt vastlopen en waarschijnlijk terugslag.
4. **Let er altijd op dat de beschermkap het zaagblad bedekt voordat u de zaag op een werkbak of vloer neerlegt.** Een onbeschermd zaagblad dat nog nadraait, zal de zaag achteruit doen lopen waarbij alles op zijn weg wordt gezaagd. Denk aan de tijd die het duurt nadat de trekkerschakelaar is losgelaten voordat het zaagblad stilstaat.

Aanvullende veiligheidsvoorschriften

1. **Wees extra voorzichtig bij het zagen in nat hout, druk-behandeld timmerhout en hout met knoesten.** Houd een constante voortgangssnelheid van het gereedschap aan zonder dat het toerental van het zaagblad lager wordt om te voorkomen dat de zaagbladpunten oververhit raken en, bij het zagen van kunststof, dat het kunststof smelt.
2. **Probeer niet afgezaagd materiaal te verwijderen terwijl het zaagblad nog draait. Wacht totdat het zaagblad volledig tot stilstand is gekomen voordat u het afgezaagde materiaal vastpakt.** Het zaagblad draait nog na nadat het gereedschap is uitgeschakeld.
3. **Voorkom dat u in spijkers zaagt. Inspecteer het hout op spijkers en verwijder deze zo nodig voordat u begint te zagen.**
4. **Plaats het bredere deel van de zool van de zaag op het deel van het werkstuk dat goed is ondersteund, en niet op het deel dat omlaag valt nadat de zaagsnede gemaakt is. Als het werkstuk kort of smal is, klemt u het vast. PROBEER NOOIT EEN KORT WERKSTUK IN UW HANDEN VAST TE HOUDEN!**

► Fig.5

5. Voordat u het gereedschap neerlegt na het voltooiën van een zaagsnede, controleert u dat de beschermkap gesloten is en het zaagblad volledig tot stilstand is gekomen.
6. Probeer nooit te zagen waarbij de zaag ondersteboven in een bankschroef is geklemd. Dit is uiterst gevaarlijk en kan leiden tot ernstig persoonlijk letsel.

► Fig.6

7. Sommige materialen bevatten chemische stoffen die giftig kunnen zijn. Neem voorzorgsmaatregelen tegen het inademen van stof en contact met de huid. Volg de veiligheidsinstructies van de leverancier van het materiaal op.
8. Breng het zaagblad niet tot stilstand door zijdelings op het zaagblad te drukken.
9. Gebruik geen slijpschijven.
10. Gebruik uitsluitend een zaagblad met een diameter die is aangegeven op het gereedschap of vermeld in de gebruiksaanwijzing. Het gebruik van een zaagblad met een verkeerde afmeting kan de goede bescherming van het zaagblad of de werking van de beschermkap negatief beïnvloeden, waardoor ernstig persoonlijk letsel kan ontstaan.
11. Houd het zaagblad scherp en schoon. Gom of hars dat op het zaagblad is opgedroogd vertraagt het zaagblad en verhoogt de kans op terugslag. Houd het zaagblad schoon door dit eerst van het gereedschap te demonteren en het vervolgens schoon te maken met een reinigingsmiddel voor gom en hars, heet water of kerosine. Gebruik nooit benzine.
12. Draag een stofmasker en gehoorbescherming tijdens gebruik van het gereedschap.
13. Gebruik altijd het zaagblad dat is bedoeld voor zagen in het materiaal waarin u gaat zagen.
14. Gebruik altijd een zaagblad dat is gemarkeerd met een toerental dat gelijk is aan of hoger is dan het toerental dat is aangegeven op het gereedschap.
15. (Alleen voor Europese landen) Gebruik altijd een zaagblad dat voldoet aan EN847-1.

BEWAAR DEZE INSTRUCTIES.

WAARSCHUWING: Laat u NIET misleiden door een vals gevoel van comfort en bekendheid met het gereedschap (na veelvuldig gebruik) en neem alle veiligheidsvoorschriften van het betreffende gereedschap altijd strikt in acht. VERKEERD GEBRUIK of het niet naleven van de veiligheidsvoorschriften in deze gebruiksaanwijzing kan leiden tot ernstig persoonlijk letsel.

BESCHRIJVING VAN DE FUNCTIES

LET OP: Controleer altijd of het gereedschap is uitgeschakeld en de stekker ervan uit het stopcontact is verwijderd alvorens de functies op het gereedschap te controleren of af te stellen.

Snelstopknop voor groeven zagen in platen van 3, 4 of 6 mm dik

Door de snelstopknop te draaien kunt u snel de geschikte diepte selecteren voor het zagen van groeven in platen van 3, 4 of 6 mm dik.

Het nummer, gezien vanaf de kant van de handgreep, geeft de dikte van de plaat van het werkstuk aan. Voor het fijnregelen van de diepte van de groef, gebruikt u de diepte-instelknop.

► Fig.7: 1. Snelstopknop 2. Diepte-instelknop

Bij verzending van het gereedschap uit de fabriek is een diepte van 0 mm is correct ingesteld, maar nadat u de diepte van de groef met de instelknop hebt veranderd, stelt u de diepte van 0 mm als volgt opnieuw in:

1. Draai de snelstopknop naar 0 mm.
2. Draai de diepte-instelknop om de diepte aan te passen.
3. Controleer dat het zaagblad geen enkel contact maakt met het werkstuk.
4. Houd het gereedschap stevig vast met één hand op de voorhandgreep en de andere hand op de achterhandgreep. Druk de uit-vergrendelknop in en schakel het gereedschap in.
5. Druk de zaagkop langzaam helemaal omlaag en controleer of het groefzaagblad het werkstuk niet raakt, maar wel bijna raakt. Zo niet, schakelt u het gereedschap uit tot het groefzaagblad helemaal stilstaat en stelt u de diepte in door de diepte-instelknop te draaien.

De zaagdiepte instellen

Om de diepte van de groef aan te passen, draait u de diepte-instelknop.

Voor een diepere zaagsnede, draait u de knop rechtsom. Voor een ondiepere zaagsnede, draait u de knop linksom.

► Fig.8: 1. Diepte-instelknop

Zichtlijn

Een driehoekmarkering op de zool geeft het midden aan van het groefzaagblad.

Bij gebruik van het gereedschap met een groefzaagblad, lijnt u de buitenste driehoekmarkering uit met de zaaglijn.

Bij gebruik van het gereedschap met een cirkelzaagblad (optioneel accessoire), lijnt u de binnenste driehoekmarkering uit met de zaaglijn.

► Fig.9: 1. Zool 2. Buitenste driehoekmarkering 3. Binnenste driehoekmarkering 4. Zaaglijn

Werking van de schakelaar

⚠ LET OP: Controleer altijd, voordat u de stekker in het stopcontact steekt, of de trekkerschakelaar op de juiste manier schakelt en weer terugkeert naar de uit-stand nadat deze is losgelaten.

Om te voorkomen dat de trekkerschakelaar per ongeluk wordt ingeknepen, is een uit-vergrendelknop aangebracht. Om het gereedschap te starten, drukt u de uit-vergrendelknop in en knijpt u de trekkerschakelaar in.

Laat de trekkerschakelaar los om het gereedschap te stoppen.

► **Fig.10:** 1. Uit-vergrendelknop 2. Trekkerschakelaar

Toerentalinstelknop

⚠ LET OP: De toerentalinstelknop is niet bedoeld voor gebruik van zaagbladen met een lage nominaal toerental, maar voor het instellen van een toerental dat geschikt is voor het materiaal van het werkstuk. Gebruik uitsluitend zaagbladen die een nominaal toerental hebben van ten minste het maximale nullasttoerental zoals vermeld in de TECHNISCHE GEGEVENS.

⚠ LET OP: De toerentalinstelknop kan slechts tot stand 6 worden gedraaid, en terug naar stand 1. **Dwing hem niet tot voorbij stand 6 of stand 1 omdat dan de toerentalinstelfunctie mogelijk niet meer werkt.**

Door de toerentalinstelknop te draaien, kan het toerental worden ingesteld. Wanneer de knop in de richting van stand 6 wordt gedraaid, wordt het toerental hoger, en wanneer de knop in de richting van stand 1 wordt gedraaid, wordt het toerental lager. Raadpleeg de tabel om het juiste toerental te selecteren voor het werkstuk dat u gaat zagen. Het geschikte toerental kan echter verschillen afhankelijk van het type en de dikte van het werkstuk. Over het algemeen kunt u met een hoger toerental een werkstuk sneller zagen, maar de levensduur van het zaagblad wordt korter.

Stand	min ⁻¹
1	2.200
2	2.700
3	3.800
4	4.900
5	6.000
6	6.400

► **Fig.11:** 1. Toerentalinstelknop

Geleideplaat

Gebruik de geleideplaat om de geleiderail (optioneel accessoire) uit te lijnen met de zaaglijn.

► **Fig.12:** 1. Geleideplaat 2. Rand van plaat 3. Zaaglijn

1. Plaats de geleideplaat op de geleiderail, vlakbij het beginpunt van de zaagsnede. De rand van de plaat geeft het midden aan van het groefzaagblad. Lijn de rand van de plaat uit met de zaaglijn.

2. Plaats vervolgens de geleideplaat opnieuw op de geleiderail, vlakbij het eindpunt van de zaagsnede. Lijn de rand van de plaat opnieuw uit met de zaaglijn.

Overige functies

Gereedschappen die zijn voorzien van een elektronische werking zijn eenvoudig te bedienen vanwege de volgende functie.

Overbelastingsbeveiliging

Wanneer de belasting van het gereedschap het toelaatbare niveau overschrijdt, wordt de voeding naar de motor beperkt om te voorkomen dat deze oververhit raakt. Wanneer de belasting weer op een toelaatbaar niveau komt, zal het gereedschap weer normaal werken.

Constant-toerentalregeling

Elektronische toerentalregeling voor het aanhouden van een constant toerental. Maakt een onberispelijke afwerking mogelijk omdat het toerental constant wordt gehouden, zelfs bij belasting.

Zachte-startfunctie

Maakt een zachte start mogelijk door onderdrukking van de aanloopshock.

MONTAGE

⚠ LET OP: Zorg altijd dat het gereedschap is uitgeschakeld en dat zijn stekker uit het stopcontact is verwijderd alvorens enig werk aan het gereedschap uit te voeren.

Opbergplaats van de inbussleutel

De inbussleutel wordt op het gereedschap bewaard. Om de inbussleutel te verwijderen, trekt u hem er gewoon uit.

Om de inbussleutel terug te plaatsen, zet u hem op de handgreep en drukt u hem zover mogelijk naar binnen.

► **Fig.13:** 1. Inbussleutel

Het groefzaagblad aanbrengen of verwijderen

⚠ LET OP: Gebruik geen zaagbladen die niet voldoen aan de eigenschappen vermeld in deze gebruiksaanwijzing.

⚠ LET OP: Gebruik uitsluitend zaagbladen die een nominaal toerental hebben van ten minste het maximale nullasttoerental zoals vermeld in de TECHNISCHE GEGEVENS.

⚠ LET OP: Verzeker u ervan dat het zaagblad zodanig wordt aangebracht dat de tanden aan de voorkant van het gereedschap omhoog wijzen.

⚠ LET OP: Gebruik uitsluitend de Makita-sleutel voor het aanbrengen en verwijderen van het zaagblad.

Om het groefzaagblad te verwijderen, voert u de volgende stappen uit:

1. Leg het gereedschap zodanig neer dat het motorhuis en de zool de grond raken. Steek vervolgens de inbusleutel in het zeskantgat, duw hem erin, draai de inbusleutel om de klep van het zaagbladhuis te openen.

► **Fig.14**

2. Duw de asvergrendeling helemaal in zodat het zaagblad niet kan draaien, en draai daarna de inbusbout linksom los met de sleutel.

► **Fig.15:** 1. Asvergrendeling 2. Inbusbout

3. Verwijder de inbusbout, de buitenflens en het zaagblad.

► **Fig.16:** 1. Inbusbout 2. Buitenflens
3. Groefzaagblad 4. Binnenflens

Om het zaagblad aan te brengen, volgt u de verwijderingsprocedure in omgekeerde volgorde. **Zorg ervoor dat de inbusbout stevig rechtsom wordt vastgedraaid.** En sluit na het aanbrengen van het zaagblad de klep van het zaagbladhuis.

Vergeet niet tijdens het verwisselen van het zaagblad ook de beschermkap te ontdoen van opgehoopt zaagsel en spaanders, zoals beschreven in het hoofdstuk Onderhoud. Ondanks dergelijk onderhoud blijft het noodzakelijk de werking van de beschermkap voor ieder gebruik te controleren.

Het cirkelzaagblad gebruiken

Optioneel accessoire

OPMERKING: Monteer de zijstrip niet bij gebruik van een cirkelzaagblad. Anders komt het cirkelzaagblad tegen de zijstrip en wordt het gereedschap beschadigd.

Om het cirkelzaagblad (optioneel accessoire) te monteren, voert u de volgende stappen uit:

1. Verwijder twee bouten en verwijder de zijstrip.

► **Fig.17:** 1. Zijstrip

2. Verwijder het groefzaagblad.

3. Schuif het cirkelzaagblad door de opening die werd afgedekt door de zijstrip.

4. Breng het cirkelzaagblad aan op dezelfde manier als het groefzaagblad. En sluit na het aanbrengen van het zaagblad de klep van het zaagbladhuis.

► **Fig.18:** 1. Inbusbout 2. Buitenflens
3. Cirkelzaagblad 4. Binnenflens

5. Om de diepte van de groef aan te passen, draait u de diepte-instelknop.

Breedtegeleider (liniaal)

Optioneel accessoire

⚠ LET OP: Gebruik de breedtegeleider niet met het groefzaagblad. Gebruik de breedtegeleider alleen wanneer u het gereedschap gebruikt met een aangebracht cirkelzaagblad (optioneel accessoire).

► **Fig.19:** 1. Breedtegeleider (liniaal)

Met de handige breedtegeleider kunt u extra nauwkeurig recht zagen. Schuif gewoon de breedtegeleider strak tegen de zijkant van het werkstuk en zet deze op zijn plaats vast met behulp van de schroeven op de voorkant en achterkant van de zool van het gereedschap. Op deze manier is het tevens mogelijk een zaagbeweging te herhalen met identieke breedte.

Als de breedtegeleider (liniaal) wordt omgekeerd, werkt hij tevens als een hulpzool voor het gereedschap.

Aanslagknop voor een zaagsnede met een diepte van 2 tot 3 mm bij gebruik van cirkelzaagblad (optioneel accessoire) en geleiderail (optioneel accessoire)

► **Fig.20:** 1. Aanslagknop 2. Rode markering

Dit gereedschap is uitgerust met een aanslagknop voor een zaagsnede met een diepte van 2 tot 3 mm op het tandwielhuis naast de achterhandgreep bij gebruik van de geleiderail.

U kunt voorkomen dat splinters op het werkstuk ontstaan door eerst een zaagsnede met een diepte van 2 tot 3 mm te maken en daarna een zaagsnede van de gewenste diepte te maken.

Trek eerst de aanslagknop in de richting van het cirkelzaagblad om een zaagsnede met een diepte van 2 tot 3 mm te verkrijgen.

Trek daarna de knop terug om een zaagsnede met vrije diepte te maken.

Zorg ervoor dat de aanslagknop vrij staat en de rode markering zichtbaar is voor het zagen van groeven.

Een stofzuiger aansluiten

Als u groeven gaat zagen, sluit u een Makita-stofzuiger aan op dit gereedschap.

Sluit de slang van de stofzuiger aan op de stofafzuigaansluitmond.

► **Fig.21:** 1. Stofzuiger 2. Stofafzuigaansluitmond

BEDIENING

⚠ LET OP: Gebruik altijd de voorhandgreep en achterhandgreep, en houd het gereedschap tijdens gebruik stevig vast aan zowel de voorhandgreep als de achterhandgreep.

Geleiderail

Optioneel accessoire

Gebruik altijd de geleiderail voor het zagen van groeven.

Plaats het gereedschap op de achterkant van de geleiderail.

Draai aan de twee stelschroeven op het gereedschap zodat het gereedschap soepel zonder gerammel kan glijden.

► **Fig.22:** 1. Stelschroeven

Groeven zagen

⚠️ LET OP: Duw het gereedschap voorzichtig in een rechte lijn naar voren. Als u het gereedschap dwing of verdraait, kan de motor oververhit raken en het gereedschap gevaarlijk terugslaan, waardoor ernstig letsel kan worden veroorzaakt.

⚠️ LET OP: Kom tijdens zagen, en zeker bij het starten, nooit met uw handen of andere lichaamsdelen onder de zool van het gereedschap.

Daardoor kan ernstig persoonlijk letsel worden veroorzaakt. Het zaagblad steekt onder de zoolplaat uit.

⚠️ LET OP: Gebruik oogbescherming om letsel te voorkomen.

⚠️ LET OP: Als u groeven gaat zagen, sluit u altijd een stofzuiger aan op het gereedschap.

⚠️ LET OP: Houd het gereedschap stevig vast. Het gereedschap is voorzien van zowel een voorhandgreep als een achterhandgreep. Gebruik beide om het gereedschap zo goed mogelijk vast te houden. Als u de zaag met beide handen vasthoudt, kunt u nooit in uw handen zagen.

► Fig.23

1. Stel de zaagdiepte in.
2. Plaats het gereedschap op de geleiderail.
3. Lijn de geleiderail met behulp van de geleideplaat uit met de zaaglijn. Controleer dat het zaagblad geen enkel contact maakt met het werkstuk.
4. Druk op de uit-vergrendelknop en schakel het gereedschap in, en wacht totdat het zaagblad op het maximale toerental draait.
5. Duw het gereedschap langzaam omlaag tot de vooraf ingestelde zaagdiepte en beweeg het gereedschap gewoon naar voren over het oppervlak van het werkstuk, houd het daarbij vlak, en duw gelijkmatig totdat het zagen klaar is.
6. Laat nadat het zagen klaar is, de trekkerschakelaar los, wacht tot het zaagblad tot stilstand is gekomen en trek vervolgens het gereedschap terug.

Zorg voor een schone zaagsnede door een rechte zaaglijn en een constante voorwaartse snelheid. Als de zaagsnede niet verloopt volgens de voorgenomen zaaglijn, **mag u niet proberen het gereedschap iets te draaien of te dwingen terug te keren naar de zaaglijn.** Als u dit doet, kan het zaagblad vastlopen en een gevaarlijke terugslag optreden met mogelijk ernstig persoonlijk letsel tot gevolg.

Invalzaagsnede (uitzagen)

⚠️ WAARSCHUWING: Houd u aan de volgende aanwijzingen om terugslag te voorkomen.

1. Plaats het gereedschap op de geleiderail met de achterrand van de zool tegen een vaste aanslag of iets dergelijks die op de geleiderail is geklemd.

► Fig.24: 1. Vaste aanslag

2. Houd het gereedschap stevig vast met één hand op de voorhandgreep en de andere hand op de achterhandgreep. Druk op de uit-vergrendelknop en schakel het gereedschap in, en wacht vervolgens totdat het zaagblad op het maximale toerental draait.

3. Druk de zaagkop langzaam omlaag tot de vooraf ingestelde zaagdiepte, en beweeg het gereedschap eenvoudig vooruit naar de gewenste invalpositie.

OPMERKING: Een driehoekmarkering op het zaagbladhuis geeft bij benadering het midden van het zaagblad aan.

► Fig.25: 1. Driehoekmarkering

ONDERHOUD

⚠️ LET OP: Zorg altijd dat het gereedschap is uitgeschakeld en zijn stekker uit het stopcontact is verwijderd alvorens te beginnen met inspectie of onderhoud.

⚠️ LET OP: Reinig de beschermkappen om er zeker van te zijn dat er geen opgehoopt zaagsel en spaanders in zit dat de werking van het beschermkapmechanisme kan hinderen. Een vuil beschermkapmechanisme kan de goede werking hinderen, waardoor ernstig persoonlijk letsel kan ontstaan. De meest effectieve manier om dit reinigen uit te voeren is met perslucht. **Als het vuil uit de beschermkap wordt geblazen, dient u geschikte oog- en ademhalingsbescherming te gebruiken.**

KENNISGEVING: Gebruik nooit benzine, wasbenzine, thinner, alcohol en dergelijke. Hierdoor kunnen verkleuring, vervormingen en barsten worden veroorzaakt.

De koolborstels vervangen

► Fig.26: 1. Slijtgrensmarkering

Controleer regelmatig de koolborstels. Vervang ze wanneer ze tot aan de slijtgrensmarkering versleten zijn. Houd de koolborstels schoon, zodat ze gemakkelijk in de houders glijden. Beide koolborstels dienen tegelijkertijd te worden vervangen. Gebruik uitsluitend identieke koolborstels.

1. Gebruik een schroevendraaier om de koolborsteldoppen te verwijderen.

2. Haal de versleten koolborstels eruit, schuif de nieuwe erin, en zet daarna de koolborsteldoppen weer goed vast.

► Fig.27: 1. Koolborsteldop

Om de VEILIGHEID en BETROUWBAARHEID van het gereedschap te handhaven, dienen alle reparaties, onderhoud of afstellingen te worden uitgevoerd bij een erkend Makita-servicecentrum of de Makita-fabriek, en altijd met gebruik van Makita-vervangingsonderdelen.

OPTIONELE ACCESSOIRES

⚠ LET OP: Deze accessoires of hulpstukken worden aanbevolen voor gebruik met het Makita gereedschap dat in deze gebruiksaanwijzing is beschreven. Bij gebruik van andere accessoires of hulpstukken bestaat het gevaar van persoonlijke letsel. Gebruik de accessoires of hulpstukken uitsluitend voor hun bestemde doel.

Wenst u meer bijzonderheden over deze accessoires, neem dan contact op met het plaatselijke Makita-servicecentrum.

- Geleiderail
- Groefzaagblad 90°
- Groefzaagblad 135°
- Geleideplaat
- Cirkelzaagblad
- Breedtegeleider (liniaal)
- Klem
- Inbussleutel
- Set vellen voor geleiderail
- Rubber vel voor geleiderail
- Positieveel voor geleiderail
- Verstekgeleider, set

OPMERKING: Sommige items op de lijst kunnen zijn inbegrepen in de doos van het gereedschap als standaard toebehoren. Deze kunnen van land tot land verschillen.







ESPECIFICACIONES

Modelo:	CA5000
Diámetro de disco de ranuradora	118,0 mm
Diámetro de disco de sierra circular	165,0 mm
Profundidad de corte máxima (con disco de ranuradora)	11,0 mm
Profundidad de corte máxima (con disco de sierra circular)	36,0 mm
Velocidad en vacío	2.200 - 6.400 min ⁻¹
Longitud total	346 mm
Peso neto	4,7 kg
Clase de seguridad	□/II

- Debido a nuestro continuado programa de investigación y desarrollo, las especificaciones aquí dadas están sujetas a cambios sin previo aviso.
- Las especificaciones pueden ser diferentes de país a país.
- Peso de acuerdo con el procedimiento EPTA 01/2014

Símbolos

A continuación se muestran los símbolos que pueden ser utilizados para el equipo. Asegúrese de que entiende su significado antes de utilizar.

	Lea el manual de instrucciones.
	DOBLE AISLAMIENTO
	Póngase gafas de seguridad.
	Disco de ranuradora
	Disco de sierra circular
	Solamente para países de la UE ¡No deseche los aparatos eléctricos junto con los residuos domésticos! De conformidad con la Directiva Europea, sobre residuos de aparatos eléctricos y electrónicos y su aplicación de acuerdo con la legislación nacional, los aparatos eléctricos cuya vida útil haya llegado a su fin deberán ser recogidos por separado y trasladados a una planta de reciclaje que cumpla con las exigencias ecológicas.

Uso previsto

La herramienta ha sido prevista especialmente para hacer ranuras en tableros compuestos hechos de aluminio, plástico, plásticos que contienen minerales, y materiales similares.

Si se equipa la herramienta con un disco de sierra circular apropiado, la herramienta puede ser utilizada para serrar madera y aluminio.

Alimentación

La herramienta deberá ser conectada solamente a una fuente de alimentación de la misma tensión que la indicada en la placa de características, y solamente puede ser utilizada con alimentación de CA monofásica. La herramienta tiene doble aislamiento y puede, por lo tanto, utilizarse también en tomas de corriente sin conductor de tierra.

Ruido

El nivel de ruido A-ponderado típico determinado de acuerdo con la norma EN62841:

Nivel de presión sonora (L_{pA}): 88 dB (A)

Nivel de potencia sonora (L_{WA}): 99 dB (A)

Error (K): 3 dB (A)

NOTA: El valor (o los valores) de emisión de ruido declarado ha sido medido de acuerdo con un método de prueba estándar y se puede utilizar para comparar una herramienta con otra.

NOTA: El valor (o valores) de emisión de ruido declarado también se puede utilizar en una valoración preliminar de exposición.

⚠ADVERTENCIA: Póngase protectores para oídos.

⚠ADVERTENCIA: La emisión de ruido durante la utilización real de la herramienta eléctrica puede variar del valor (o los valores) de emisión declarado dependiendo de las formas en las que la herramienta sea utilizada, especialmente qué tipo de pieza de trabajo se procesa.

⚠ADVERTENCIA: Asegúrese de identificar medidas de seguridad para proteger al operario que estén basadas en una estimación de la exposición en las condiciones reales de utilización (teniendo en cuenta todas las partes del ciclo operativo como las veces cuando la herramienta está apagada y cuando está funcionando en vacío además del tiempo de gatillo).

Vibración

El valor total de la vibración (suma de vectores triaxiales) determinado de acuerdo con la norma EN62841:

Modo de trabajo: ranurado en material de aluminio compuesto

Emisión de vibración ($a_{h,v}$): 2,5 m/s² o menos

Error (K): 1,5 m/s²

Modo de trabajo: corte de madera

Emisión de vibración ($a_{h,w}$): 2,5 m/s² o menos

Error (K): 1,5 m/s²

Modo de trabajo: corte de metal

Emisión de vibración ($a_{h,m}$): 2,5 m/s² o menos

Error (K): 1,5 m/s²

NOTA: El valor (o los valores) total de emisión de vibración declarado ha sido medido de acuerdo con un método de prueba estándar y se puede utilizar para comparar una herramienta con otra.

NOTA: El valor (o los valores) total de emisión de vibración declarado también se puede utilizar en una valoración preliminar de exposición.

⚠ ADVERTENCIA: La emisión de vibración durante la utilización real de la herramienta eléctrica puede variar del valor (o los valores) de emisión declarado dependiendo de las formas en las que la herramienta sea utilizada, especialmente qué tipo de pieza de trabajo se procesa.

⚠ ADVERTENCIA: Asegúrese de identificar medidas de seguridad para proteger al operario que estén basadas en una estimación de la exposición en las condiciones reales de utilización (teniendo en cuenta todas las partes del ciclo operativo como las veces cuando la herramienta está apagada y cuando está funcionando en vacío además del tiempo de gatillo).

Declaración CE de conformidad

Para países europeos solamente

La declaración CE de conformidad está incluida como Anexo A de esta manual de instrucciones.

Advertencias de seguridad para herramientas eléctricas en general

⚠ ADVERTENCIA: Lea todas las advertencias de seguridad, instrucciones, ilustraciones y especificaciones provistas con esta herramienta eléctrica. Si no sigue todas las instrucciones indicadas abajo podrá resultar en una descarga eléctrica, un incendio y/o heridas graves.

Guarde todas las advertencias e instrucciones para futuras referencias.

El término "herramienta eléctrica" en las advertencias se refiere a su herramienta eléctrica de funcionamiento con conexión a la red eléctrica (con cable) o herramienta eléctrica de funcionamiento a batería (sin cable).

Advertencias de seguridad para sierra circular

Procedimientos de corte

- ⚠ PELIGRO:** Mantenga las manos alejadas del área de corte y del disco. Mantenga su segunda mano en el mango auxiliar, o en el alojamiento del motor. Si ambas manos están sujetando la sierra, no podrán ser cortadas por el disco.
- No se ponga debajo de pieza de trabajo.** Debajo de la pieza de trabajo el protector no le puede proteger del disco.
- Ajuste la profundidad de corte al grosor de la pieza de trabajo.** Por debajo de la pieza de trabajo deberá verse menos de un diente entero de los dientes del disco.
- No sujete nunca con las manos o sobre su pierna la pieza de trabajo durante el corte. Sujete la pieza de trabajo en una plataforma estable.** Es importante apoyar la pieza de trabajo debidamente para minimizar la exposición del cuerpo, el estancamiento del disco, o la pérdida de control.

► Fig.1

- Quando realice una operación en la que el implemento de corte pueda entrar en contacto con cableado oculto o con su propio cable, sujete la herramienta eléctrica por las superficies de asiento aisladas. El contacto con un cable con corriente también hará que la corriente circule por las partes metálicas expuestas de la herramienta eléctrica y podrá soltar una descarga eléctrica al operario.
- Quando haga cortes al hilo, utilice siempre una guía lateral o guía de borde recto. Esto mejora la precisión del corte y reduce la posibilidad de que el disco se estanque.
- Utilice siempre discos con agujero para eje del tamaño y forma correctos (diamante en oposición a redondo). Los discos que no correspondan con el mecanismo de montaje de la sierra se descentrarán, ocasionando la pérdida de control.
- No utilice nunca arandelas o perno de disco dañados o incorrectos. Las arandelas y el perno de disco han sido diseñados especialmente para su sierra, y con ellos se logran un rendimiento y seguridad de operación óptimos.

Causas de los retrocesos bruscos y advertencias relacionadas

- el retroceso brusco es una reacción repentina al estancamiento, atasco o desalineación del disco, que ocasiona que la sierra descontrolada se levante y salga de la pieza de trabajo hacia el operario;
- cuando el disco queda aprisionado o atascado firmemente debido al cierre de la hendidura, el disco se inmoviliza y la reacción del motor empuja la sierra bruscamente hacia atrás contra el operario;
- si el disco se retuerce o desalinea en el corte, los dientes del borde trasero del disco pueden morder la superficie superior de la madera haciendo que el disco se salga de la hendidura y salte hacia atrás contra el operario.

Los retrocesos bruscos se deben a un mal uso de la sierra y/o a procedimientos o condiciones de trabajo incorrectos y pueden evitarse tomando las precauciones indicadas abajo.

1. **Sujete la sierra firmemente con ambas manos y posicione los brazos de forma que pueda resistir las fuerzas de un retroceso brusco. Posicione su cuerpo a uno de los costados del disco, pero no en línea con el disco.** Los retrocesos bruscos pueden hacer que la sierra salte hacia atrás, pero las fuerzas de los retrocesos bruscos las puede controlar el operario, si toma las precauciones apropiadas.
2. **Cuando note que el disco se estanca, o cuando quiera interrumpir un corte por cualquier razón, suelte el gatillo y mantenga la sierra inmóvil en el material hasta que el disco se pare completamente. No intente nunca extraer el disco de la pieza de trabajo o tirar de la sierra hacia atrás mientras el disco está moviéndose porque podrá ocasionar un retroceso brusco.** Investigue y tome medidas correctivas para eliminar la causa del estancamiento del disco.
3. **Cuando vuelva a poner en marcha la sierra en la pieza de trabajo, centre el disco en la hendidura de forma que los dientes del mismo no estén enganchados en el material.** Si un disco se estanca, podrá saltar o retroceder bruscamente desde la pieza de trabajo al volver a poner en marcha la sierra.
4. **Apoye los paneles grandes para minimizar el riesgo de que el disco se estanque y retroceda bruscamente.** Los paneles grandes tienden a combarse con su propio peso. Deberá poner apoyos debajo del panel a ambos lados, cerca de la línea de corte y cerca del borde del panel.

► Fig.2

► Fig.3

5. **No utilice discos mellados o dañados.** Los discos desafilados o mal ajustados producen una hendidura estrecha que ocasiona excesiva fricción, estancamiento del disco y retrocesos bruscos.
6. **Las palancas de bloqueo de los ajustes de profundidad y de bisel del disco deben estar apretadas y sujetadas antes de realizar el corte.** Si el ajuste del disco cambia durante el corte, podrá ocasionar un estancamiento y retroceso brusco.
7. **Extreme las precauciones cuando siere en paredes existentes u otras áreas ciegas.** La parte sobresaliente del disco podrá cortar objetos que pueden ocasionar un retroceso brusco.
8. **Sujete SIEMPRE la herramienta firmemente con ambas manos. No ponga NUNCA sus manos, piernas o cualquier otra parte de su cuerpo debajo de la base de la herramienta o detrás de la sierra, especialmente cuando haga cortes transversales.** Si se produce un retroceso brusco, la sierra podrá saltar fácilmente hacia atrás sobre su mano, causándole graves heridas personales.

► Fig.4

9. **No fuerce nunca la sierra. Empuje la sierra hacia delante a una velocidad a la que el disco corte sin frenarse.** Si fuerza la sierra podrá ocasionar cortes irregulares, pérdida de precisión, y posibles retrocesos bruscos.

Función del protector

1. **Compruebe el protector para ver si se cierra debidamente antes de cada utilización. No utilice la sierra si el protector no se mueve libremente y encierra el disco instantáneamente. No amordace o ate nunca el protector para dejar el disco expuesto.** Si deja caer accidentalmente la sierra, el protector podrá doblarse. Compruebe para asegurarse de que el protector se mueve libremente y que no toca el disco ni ninguna otra parte, en todos los ángulos y profundidades de corte.
2. **Compruebe el funcionamiento y la condición del resorte de retorno del protector. Si el protector y el resorte no están funcionando debidamente, deberán ser corregidos antes de la utilización.** El protector podrá funcionar lentamente debido a partes dañadas, sedimentos pegajosos, o a una acumulación de residuos.
3. **Asegúrese de que la placa base de la sierra no se va a desplazar mientras realiza un "corte por inmersión".** Si el disco se desplaza lateralmente ocasionará estancamiento y posiblemente un retroceso brusco.
4. **Antes de dejar la sierra en el banco o en el suelo, observe siempre que el protector esté cubriendo el disco.** Un disco desprotegido, girando por inercia, hará que la sierra se desplace hacia atrás, cortando todo lo que esté a su paso. Tenga presente el tiempo que el disco tarda en pararse después de soltar el interruptor.

Advertencias de seguridad adicionales

1. **Preste precaución adicional cuando corte madera húmeda, madera tratada a presión, o madera que contenga nudos.** Mantenga uniforme el avance de la herramienta sin reducir la velocidad del disco para evitar que los dientes del disco se recalienten y, si corta plásticos, para evitar que el plástico se derrita.
2. **No intente retirar material cortado cuando el disco esté moviéndose. Espere hasta que el disco se pare antes de agarrar el material cortado.** Los discos siguen girando por inercia después de apagar la herramienta.
3. **Evite cortar clavos. Inspeccione la madera y quite todos los clavos antes de cortar.**
4. **Ponga la porción más ancha de la base de la sierra en la parte de la pieza de trabajo que esté sólidamente apoyada, no en la sección que caerá cuando se haga el corte.** Si la pieza de trabajo es corta o pequeña, amordácela. **¡NO INTENTE SUJETAR PIEZAS PEQUEÑAS CON LA MANO!**

► Fig.5

5. **Antes de dejar la herramienta después de completar un corte, asegúrese de que el protector se ha cerrado y que el disco se ha parado completamente.**

6. No intente nunca serrar con la sierra circular sujeta al revés en un tornillo de banco. Es sumamente peligroso y puede ocasionar graves accidentes.

► Fig.6

7. Algunos materiales contienen sustancias químicas que pueden ser tóxicas. Tenga precaución para evitar la inhalación de polvo y el contacto con la piel. Siga los datos de seguridad del abastecedor del material.
8. No pare los discos haciendo presión lateral en el disco.
9. No utilice ningún disco abrasivo.
10. Utilice solamente el disco con el diámetro que hay marcado en la herramienta o especificado en el manual. La utilización de un disco dimensionado incorrectamente puede afectar a la protección del disco o a la operación del protector lo que puede resultar en heridas personales graves.
11. Mantenga el disco afilado y limpio. La cola y la resina de madera endurecidas en los discos frenan la sierra y aumentan la posibilidad de que se produzcan retrocesos bruscos. Mantenga el disco limpio desmontándolo primero de la herramienta, y limpiándolo después con un producto para quitar colas y resina, agua caliente o queroseno. No utilice nunca gasolina.
12. Póngase máscara y protección para los oídos cuando utilice la herramienta.
13. Utilice siempre el disco que ha sido previsto para cortar el material que usted va a cortar.
14. Utilice solamente discos que tengan marcada una velocidad igual o mayor que la velocidad marcada en la herramienta.
15. (Para países europeos solamente) Utilice siempre el disco que cumpla con EN847-1.

GUARDE ESTAS INSTRUCCIONES.

⚠ ADVERTENCIA: NO deje que la comodidad o familiaridad con el producto (a base de utilizarlo repetidamente) sustituya la estricta observancia de las normas de seguridad para el producto en cuestión. El MAL USO o el no seguir las normas de seguridad establecidas en este manual de instrucciones podrá ocasionar graves heridas personales.

DESCRIPCIÓN DEL FUNCIONAMIENTO

⚠ PRECAUCIÓN: Asegúrese siempre de que la herramienta está apagada y desenchufada antes de intentar realizar cualquier tipo de ajuste o comprobación en ella.

Tope rápido para ranurado en tableros de un grosor de 3, 4, o 6 mm

Girando el tope rápido, usted puede elegir rápidamente la profundidad apropiada del ranurado para tableros de un grosor de 3, 4, o 6 mm.

El número, visto desde el lado del mango, indica el grosor de tablero de la pieza de trabajo.

Para un ajuste fino de la profundidad de la ranura, utilice el pomo de ajuste de profundidad.

► Fig.7: 1. Tope rápido 2. Pomo de ajuste de profundidad

Cuando la herramienta sale de fábrica la profundidad está ajustada debidamente a 0 mm, pero si usted ha cambiado la profundidad de la ranura con el pomo de ajuste, afine la profundidad de 0 mm de la forma siguiente:

1. Gire el tope rápido a 0 mm.
2. Gire el pomo de ajuste de profundidad para ajustar la profundidad.
3. Asegúrese de que el disco no hace ningún contacto con la pieza de trabajo.
4. Sujete la herramienta firmemente con una mano en la empuñadura delantera y la otra en el mango de la herramienta. Presione hacia dentro el botón de desbloqueo, y encienda la herramienta.
5. Presione hacia abajo a tope con cuidado el cabezal de la sierra, y compruebe si el disco de ranuradora hace contacto o no hace pero casi toca la pieza de trabajo. Si no hace contacto, detenga la herramienta y espere hasta que el disco de ranuradora se haya parado completamente, y ajuste la profundidad girando el pomo de ajuste de profundidad otra vez.

Ajuste de la profundidad de corte

Para ajustar la profundidad de corte, gire el pomo de ajuste de profundidad.

Para un corte más profundo, gírelo hacia la derecha. Para un corte menos profundo, gírelo hacia la izquierda.

► Fig.8: 1. Pomo de ajuste de profundidad

Guía visual

La marca triangular en la base indica el centro del disco de ranuradora.

Cuando se utilice con disco de ranuradora, alinee la marca triangular externa con la línea de corte.

Cuando se utilice con disco de sierra circular (accesorio opcional), alinee la marca triangular interna con la línea de corte.

► Fig.9: 1. Base 2. Marca triangular externa 3. Marca triangular interna 4. Línea de corte

Accionamiento del interruptor

⚠ PRECAUCIÓN: Antes de enchufar la herramienta, compruebe siempre para cerciorarse de que el gatillo interruptor se acciona debidamente y que vuelve a la posición "OFF" cuando lo suelta.

Para evitar que el gatillo interruptor pueda accionarse accidentalmente, se ha provisto un botón de desbloqueo. Para poner en marcha la herramienta, presione hacia dentro el botón de desbloqueo y apriete el gatillo interruptor. Suelte el gatillo interruptor para parar.

► **Fig.10:** 1. Botón de desbloqueo 2. Gatillo interruptor

Dial de ajuste de velocidad

⚠ PRECAUCIÓN: El dial de ajuste de velocidad no es para utilizar discos clasificados como de baja velocidad sino para obtener una velocidad que es apropiada para el material de la pieza de trabajo. Utilice solamente discos que estén clasificados para al menos la velocidad en vacío máxima indicada en las ESPECIFICACIONES.

⚠ PRECAUCIÓN: El dial de ajuste de velocidad se puede girar solamente hasta 6 y de vuelta hasta 1. No lo fuerce a más de 6 o 1, o el dial de ajuste de velocidad podrá dejar de funcionar.

La velocidad de la herramienta se puede ajustar girando el dial de ajuste de velocidad. Se obtiene mayor velocidad cuando el dial es girado en la dirección del número 6; se obtiene menor velocidad cuando es girado en la dirección del número 1.

Consulte la tabla para seleccionar la velocidad apropiada para la pieza de trabajo que se va a cortar. Sin embargo, la velocidad apropiada podrá variar con el tipo o grosor de la pieza de trabajo. En general, velocidades más altas le permitirán cortar piezas de trabajo más rápido pero la vida de servicio del disco se reducirá.

Número	min ⁻¹
1	2.200
2	2.700
3	3.800
4	4.900
5	6.000
6	6.400

► **Fig.11:** 1. Dial de ajuste de velocidad

Placa guía

Para alinear el riel guía (accesorio opcional) con la línea de corte, utilice la placa guía.

► **Fig.12:** 1. Placa guía 2. Borde de la placa 3. Línea de corte

1. Ajuste la placa guía sobre el riel guía cerca del punto de inicio del corte. El borde de la placa representa el centro del disco de ranuradora. Alinee el borde de la placa con la línea de corte.
2. Después, ajuste otra vez la placa guía sobre el riel guía cerca del punto de fin del corte. Y alinee el borde de la placa con la línea de corte otra vez.

Otras características

Las herramientas equipadas con función electrónica son fáciles de utilizar gracias a las características siguientes.

Protector de sobrecarga

Cuando la carga aplicada a la herramienta excede los niveles admisibles, la alimentación al motor se reduce para proteger el motor contra el recalentamiento. Cuando la carga vuelve a niveles admisibles, la herramienta funciona de forma normal.

Control de velocidad constante

Control de velocidad electrónico para obtener velocidad constante. Se puede obtener un acabado fino, porque la velocidad de giro se mantiene constante incluso en condición de carga.

Característica de inicio suave

Inicio suave porque se suprime el golpe de arranque.

MONTAJE

⚠ PRECAUCIÓN: Asegúrese siempre de que la herramienta está apagada y desenchufada antes de realizar cualquier trabajo en la herramienta.

Para guardar la llave hexagonal

La llave hexagonal se guarda en la herramienta. Para retirar la llave hexagonal, simplemente extráigala. Para instalar la llave hexagonal, póngala en la empuñadura e insértela a tope.

► **Fig.13:** 1. Llave hexagonal

Desmontaje o instalación del disco de ranuradora

⚠ PRECAUCIÓN: No utilice discos que no cumplan con las características especificadas en estas instrucciones.

⚠ PRECAUCIÓN: Utilice solamente discos que estén clasificados para al menos la velocidad en vacío máxima indicada en las ESPECIFICACIONES.

⚠ PRECAUCIÓN: Asegúrese de que el disco está instalado con los dientes orientados hacia arriba en la parte frontal de la herramienta.

⚠ PRECAUCIÓN: Utilice solamente la llave Makita para instalar o desmontar el disco.

Para retirar el disco de ranuradora, realice los pasos siguientes:

1. Recueste la herramienta con la alojamiento del motor y la base tocando el suelo. Después inserte la llave hexagonal en el agujero hexagonal, empújela hacia dentro, y abra la tapa de la caja del disco girando la llave hexagonal.

► **Fig.14**

2. Presione el bloqueo del eje completamente de forma que el disco no gire, después afloje el perno hexagonal hacia la izquierda con la llave hexagonal.

► **Fig.15:** 1. Bloqueo del eje 2. Perno hexagonal

3. Retire el perno hexagonal, la brida exterior y el disco.

► **Fig.16:** 1. Perno hexagonal 2. Brida exterior
3. Disco de ranuradora 4. Brida interior

Para instalar el disco, siga el procedimiento de desmontaje a la inversa. **Asegúrese de apretar el perno hexagonal hacia la derecha firmemente.** Y cierre la tapa de la caja del disco después de instalar el disco. Cuando cambie el disco, asegúrese también de limpiar el serrín y las virutas acumulados en el protector como se indica en la sección de mantenimiento. Estos esfuerzos no eximen de la necesidad de comprobar la operación del protector antes de cada utilización.

Utilización de un disco de sierra circular

Accesorios opcionales

NOTA: No instale la faldilla cuando esté utilizando el disco de sierra circular. De lo contrario el disco de sierra circular golpeará la faldilla y dañará la herramienta.

Para instalar el disco de sierra circular (accesorio opcional), realice los pasos siguientes:

1. Retire los dos pernos, y retire la faldilla.

► **Fig.17:** 1. Faldilla

2. Retire el disco de ranuradora.

3. Deslice hacia dentro el disco de sierra circular por la abertura que tapaba la faldilla.

4. Instale el disco de sierra circular de la misma forma que el disco de ranuradora. Y cierre la tapa de la caja del disco después de instalar el disco.

► **Fig.18:** 1. Perno hexagonal 2. Brida exterior
3. Disco de sierra circular 4. Brida interior

5. Ajuste la profundidad de corte girando el pomo de ajuste de profundidad.

Guía lateral (regla guía)

Accesorios opcionales

PRECAUCIÓN: No utilice la guía lateral con el disco de ranuradora. Utilice la guía lateral solamente cuando utilice la herramienta con el disco de sierra circular (accesorio opcional).

► **Fig.19:** 1. Guía lateral (regla guía)

La útil guía lateral le permite hacer cortes rectos extra-precisos. Simplemente deslice la guía lateral bien contra el costado de la pieza de trabajo y sujétela en posición con los tornillos de la partes delantera y trasera de la base. También permite hacer cortes repetidos de anchura uniforme.

Volcándola la guía lateral (regla guía) también funciona como base secundaria para la herramienta.

Retenedor para profundidad de corte de 2 a 3 mm cuando se utiliza un disco de sierra circular (accesorio opcional) y un riel guía (accesorio opcional)

► **Fig.20:** 1. Retenedor 2. Marca roja

Esta herramienta tiene el retenedor para profundidad de corte de 2 a 3 mm situado en el alojamiento de engranajes al costado del mango trasero cuando se utiliza el riel guía.

Las astillas en la pieza de trabajo se pueden evitar haciendo una pasada de primer corte de 2 a 3 mm y después hacer otra pasada de corte normal.

Primero, empuje hacia dentro el retenedor hacia el disco de sierra circular para obtener una profundidad de corte de 2 a 3 mm.

Después tire del botón para realizar cortes de profundidad libre.

Para la operación de ranurado, asegúrese de que el retenedor está suelto y la marca roja se puede ver.

Conexión de un aspirador

Para la operación de ranurado, conecte un aspirador Makita a su herramienta.

Conecte una manguera del aspirador a la salida de polvo.

► **Fig.21:** 1. Aspirador 2. Salida de polvo

OPERACIÓN

PRECAUCIÓN: Utilice siempre una empuñadura delantera y mango trasero y sujete la herramienta firmemente por la empuñadura delantera y el mango trasero durante las operaciones.

Riel guía

Accesorios opcionales

Utilice siempre el riel guía para la operación de ranurado.

Ponga la herramienta en el extremo trasero del riel guía.

Gire los dos tornillos de ajuste de la base de la herramienta de forma que la herramienta se deslice suavemente sin traqueteo.

► **Fig.22:** 1. Tornillos de ajuste

Ranurado

⚠️ PRECAUCIÓN: Asegúrese de mover la herramienta hacia delante en línea recta y suavemente.

El forzar o torcer la herramienta podrá resultar en recalentamiento del motor y un peligroso retroceso brusco, causando posiblemente heridas graves.

⚠️ PRECAUCIÓN: No acerque nunca ninguna parte de su cuerpo debajo de la base de la herramienta cuando haga cortes seccionales, especialmente al inicio. Si lo hace podrá ocasionar heridas personales graves. Debajo de la base de la herramienta el disco está expuesto.

⚠️ PRECAUCIÓN: Utilice protección para los ojos para evitar heridas.

⚠️ PRECAUCIÓN: Para la operación de ranurado, conecte siempre un aspirador a la herramienta.

⚠️ PRECAUCIÓN: Sujete la herramienta firmemente. La herramienta está provista de empuñadura delantera y mango trasero. Utilice ambos para agarrar la herramienta de la mejor forma. Si ambas manos están sujetando la sierra, no podrán ser cortadas por el disco.

► Fig.23

1. Ajuste de profundidad de corte.
2. Ponga la herramienta en el riel guía.
3. Alinee el riel guía a lo largo de la línea de corte utilizando la placa guía. Asegúrese de que el disco no hace ningún contacto con la pieza de trabajo.
4. Empuje hacia dentro el botón de desbloqueo y encienda la herramienta, y espere hasta que el disco adquiera plena velocidad.
5. Presione hacia abajo despacio la herramienta hasta la profundidad de corte preajustada, y simplemente mueva la herramienta hacia delante sobre la superficie de la pieza de trabajo, manteniéndola plana y avanzando suavemente hasta completar el corte.
6. Cuando complete el corte, suelte el interruptor, espere hasta que el disco se pare y después retire la herramienta.

Para obtener cortes limpios, mantenga la línea de corte recta y la velocidad de avance uniforme. Si se desvía de la línea de corte prevista, **no intente girar o forzar la herramienta para hacerla volver a la línea de corte**. Si lo hace podrá inmovilizar el disco y ocasionar un peligroso retroceso brusco y posibles heridas graves.

Corte por hundimiento (Recortar)

⚠️ ADVERTENCIA: Para evitar un retroceso brusco, asegúrese de observar las instrucciones siguientes.

1. Ponga la herramienta sobre el riel guía con el borde trasero de la base de la herramienta contra un tope fijo o equivalente que esté amordazado en el riel guía.

► Fig.24: 1. Tope fijo

2. Sujete la herramienta firmemente con una mano en la empuñadura delantera y la otra en el mango de la herramienta. Empuje hacia dentro el botón de desbloqueo, y encienda la herramienta, después espere hasta que el disco adquiera plena velocidad.

3. Presione hacia abajo despacio el cabezal de la sierra hasta la profundidad de corte preajustada, y mueva la herramienta hacia delante hasta la posición de hundimiento deseada.

NOTA: La marca triangular en la caja del disco muestra el centro aproximado del disco.

► Fig.25: 1. Marca triangular

MANTENIMIENTO

⚠️ PRECAUCIÓN: Asegúrese siempre de que la herramienta está apagada y desenchufada antes de intentar realizar la inspección o el mantenimiento.

⚠️ PRECAUCIÓN: Limpie el protector para asegurarse de que no hay acumulados serrín y virutas que pueden impedir la operación del sistema de protección. Un sistema de protección sucio puede limitar la operación apropiada lo que puede resultar en heridas personales graves. La forma más eficaz de conseguir esta limpieza es con aire comprimido. **Si va a limpiar el serrín del protector soplándolo asegúrese de utilizar protección para los ojos y respiratoria apropiada.**

AVISO: No utilice nunca gasolina, bencina, disolvente, alcohol o similares. Podría producir descoloración, deformación o grietas.

Reemplazo de las escobillas de carbón

► Fig.26: 1. Marca de límite

Compruebe las escobillas de carbón regularmente. Reemplácelas cuando se hayan gastado hasta la marca límite. Mantenga las escobillas de carbón limpias de forma que entren libremente en los portaescobillas. Ambas escobillas de carbón deberán ser reemplazadas al mismo tiempo. Utilice solamente escobillas de carbón idénticas.

1. Utilice un destornillador para retirar los tapones portaescobillas.
2. Extraiga las escobillas de carbón desgastadas, inserte las nuevas y sujete los tapones portaescobillas.

► Fig.27: 1. Tapón portaescobillas

Para mantener la SEGURIDAD y FIABILIDAD del producto, las reparaciones, y cualquier otra tarea de mantenimiento o ajuste deberán ser realizadas en centros de servicio o de fábrica autorizados por Makita, empleando siempre repuestos Makita.

ACCESORIOS OPCIONALES

⚠PRECAUCIÓN: Estos accesorios o aditamentos están recomendados para su uso con la herramienta Makita especificada en este manual.

El uso de cualquier otro accesorio o aditamento puede suponer un riesgo de heridas personales. Utilice el accesorio o aditamento solamente con la finalidad indicada para el mismo.

Si necesita cualquier ayuda para más detalles en relación con estos accesorios, pregunte al centro de servicio Makita local.

- Riel guía
- Disco de ranuradora de 90°
- Disco de ranuradora de 135°
- Placa guía
- Disco de sierra circular
- Guía lateral (Regla guía)
- Mordaza
- Llave hexagonal
- Juego de lámina para riel guía
- Juego de lámina de goma para riel guía
- Lámina de posición para riel guía
- Juego de guía de bisel

NOTA: Algunos elementos de la lista podrán estar incluidos en el paquete de la herramienta como accesorios estándar. Pueden variar de un país a otro.

ESPECIFICAÇÕES

Modelo:	CA5000
Diâmetro da lâmina de serragem de ranhuras	118,0 mm
Diâmetro da lâmina de serra circular	165,0 mm
Profundidade máx. de corte (com a lâmina de serragem de ranhuras)	11,0 mm
Profundidade máx. de corte (com a lâmina de serra circular)	36,0 mm
Velocidade em vazio	2.200 - 6.400 min ⁻¹
Comprimento total	346 mm
Peso líquido	4,7 kg
Classe de segurança	□/II

- Devido a um programa contínuo de pesquisa e desenvolvimento, estas especificações podem ser alteradas sem aviso prévio.
- As especificações podem variar de país para país.
- Peso de acordo com o Procedimento EPTA 01/2014

Símbolos

A seguir são apresentados os símbolos que podem ser utilizados para o equipamento. Certifique-se de que compreende o seu significado antes da utilização.



Leia o manual de instruções.



ISOLAMENTO DUPLO



Use óculos de segurança.



Lâmina de serragem de ranhuras



Lâmina de serra circular



Apenas para os países da União Europeia
Não elimine os equipamentos elétricos junto com o lixo doméstico! De acordo com a diretiva europeia relativa aos resíduos de equipamentos elétricos e eletrônicos e à sua implementação de acordo com as leis nacionais, os equipamentos elétricos que atingiram o seu fim de vida útil devem ser recolhidas separadamente e entregues numa instalação de reciclagem ambientalmente compatível.

Utilização a que se destina

A ferramenta destina-se especificamente à serragem de ranhuras em placas compostas feitas em alumínio, plástico, plástico contíguo em minerais e materiais semelhantes.

Se a ferramenta estiver equipada com uma lâmina de serra circular adequada, a ferramenta pode ser utilizada para serrar madeira e alumínio.

Alimentação

A ferramenta só deve ser ligada a uma fonte de alimentação com a mesma tensão da indicada na placa de características, e só funciona com alimentação de corrente alterna (CA) monofásica. Tem um sistema de isolamento duplo e pode, por isso, utilizar tomadas sem ligação à terra.

Ruído

A característica do nível de ruído A determinado de acordo com a EN62841:

Nível de pressão acústica (L_{pA}) : 88 dB (A)

Nível de potência acústica (L_{WA}) : 99 dB (A)

Variabilidade (K): 3 dB (A)

NOTA: O(s) valor(es) da emissão de ruído indicado(s) foi medido de acordo com um método de teste padrão e pode ser utilizado para comparar duas ferramentas.

NOTA: O(s) valor(es) da emissão de ruído indicado(s) pode também ser utilizado na avaliação preliminar da exposição.

AVISO: Utilize protetores auriculares.

AVISO: A emissão de ruído durante a utilização real da ferramenta elétrica pode diferir do(s) valor(es) indicado(s), dependendo das formas como a ferramenta é utilizada, especialmente o tipo de peça de trabalho que é processada.

AVISO: Certifique-se de identificar as medidas de segurança para proteção do operador que sejam baseadas em uma estimativa de exposição em condições reais de utilização (considerando todas as partes do ciclo de operação, tal como quando a ferramenta está desligada e quando está a funcionar em marcha lenta além do tempo de acionamento).

Vibração

Valor total da vibração (soma vetorial tri-axial) determinado de acordo com a EN62841:

Modo de trabalho: serragem de ranhuras em material

composto de alumínio
Emissão de vibração ($a_{h,w}$): 2,5 m/s² ou menos

Variabilidade (K): 1,5 m/s²

Modo de trabalho: cortar madeira

Emissão de vibração ($a_{h,w}$): 2,5 m/s² ou menos

Variabilidade (K): 1,5 m/s²

Modo de trabalho: corte de metal

Emissão de vibração ($a_{h,w}$): 2,5 m/s² ou menos

Variabilidade (K): 1,5 m/s²

NOTA: O(s) valor(es) total(ais) de vibração indicado(s) foi medido de acordo com um método de teste padrão e pode ser utilizado para comparar duas ferramentas.

NOTA: O(s) valor(es) total(ais) de vibração indicado(s) pode também ser utilizado na avaliação preliminar da exposição.

AVISO: A emissão de vibração durante a utilização real da ferramenta elétrica pode diferir do(s) valor(es) indicado(s), dependendo das formas como a ferramenta é utilizada, especialmente o tipo de peça de trabalho que é processada.

AVISO: Certifique-se de identificar as medidas de segurança para proteção do operador que sejam baseadas em uma estimativa de exposição em condições reais de utilização (considerando todas as partes do ciclo de operação, tal como quando a ferramenta está desligada e quando está a funcionar em marcha lenta além do tempo de acionamento).

Declaração de conformidade da CE

Apenas para os países europeus

A declaração de conformidade da CE está incluída como Anexo A neste manual de instruções.

Avisos gerais de segurança para ferramentas elétricas

AVISO: Leia todos os avisos de segurança, instruções, ilustrações e especificações fornecidos com esta ferramenta elétrica. O não cumprimento de todas as instruções indicadas em baixo pode resultar em choque elétrico, incêndio e/ou ferimentos graves.

Guarde todos os avisos e instruções para futuras referências.

O termo “ferramenta elétrica” nos avisos refere-se às ferramentas elétricas ligadas à corrente elétrica (com cabo) ou às ferramentas elétricas operadas por meio de bateria (sem cabo).

Avisos de segurança da serra circular

Procedimentos de corte

- PERIGO:** Mantenha as mãos afastadas da área de corte e da lâmina. Mantenha a outra mão na pega auxiliar ou na caixa do motor. Se as duas mãos estiverem a pegar na serra, não podem ser cortadas pela lâmina.
- Não toque na superfície inferior da peça de trabalho.** O resguardo não o protege da lâmina debaixo da peça de trabalho.
- Regule a profundidade do corte em relação à espessura da peça de trabalho.** Só deve ser possível ver menos de um dente completo da lâmina sob a peça de trabalho.
- Nunca segure a peça de trabalho nas mãos ou apoiada em sua perna enquanto efetua o corte. Fixe a peça de trabalho numa plataforma estável.** É importante apoiar a peça de trabalho de forma apropriada para minimizar a exposição do corpo, a dobragem da lâmina ou a perda de controlo.

► Fig.1

- Agarre na ferramenta elétrica pelas superfícies isoladas preparadas para esse fim quando executar uma operação em que a ferramenta de corte possa entrar em contacto com cablagem escondida ou o próprio cabo.** O contacto com um fio “sob tensão” também fará com que as partes de metal expostas da ferramenta elétrica fiquem “sob tensão”, provocando um choque elétrico ao operador.
- Em escaificação use sempre uma guia paralela ou uma guia reta.** Melhora a precisão do corte e reduz a possibilidade de a lâmina encravar.
- Use sempre lâminas com o tamanho e forma (diamante versus redonda) corretos de orifícios do eixo.** As lâminas que não correspondem ao equipamento de montagem da serra desviar-se-ão do centro, causando perda de controlo.
- Nunca utilize arruelas ou pernos de lâmina estragados ou incorretos.** As arruelas e pernos da lâmina foram concebidos para a sua serra, para maior rendimento e segurança na operação.

Causas e avisos sobre recuos

- o recuo é uma reação súbita a uma lâmina de serra apertada, encravada ou desalinhada, fazendo com que uma serra descontrolada se eleve e saia da peça de trabalho em direção ao operador;
- quando a lâmina é apertada ou encravada pelo fecho do corte, a lâmina para e a reação do motor aciona a unidade rapidamente para trás em direção ao operador;
- se a lâmina ficar torta ou mal alinhada no corte, os dentes na extremidade traseira da lâmina podem perfurar a superfície superior da madeira fazendo com que a lâmina suba no corte e salte em direção ao operador.

O recuo é o resultado de má utilização da serra e/ou de procedimentos ou condições de funcionamento incorretos e pode ser evitado tomando as precauções adequadas como indicado abaixo.

1. **Mantenha a serra bem agarrada com as duas mãos e posicione os braços para resistir às forças de recuo. Posicione o seu corpo num dos lados da lâmina, mas nunca alinhado com a lâmina.** O recuo pode fazer com que a serra salte para trás, mas as forças de recuo podem ser controladas pelo operador se forem tomadas as precauções apropriadas.
2. **Se a lâmina está presa ou se, por qualquer razão, interromper o corte, solte o gatilho e agarre na serra parada no material até que a lâmina pare completamente. Nunca tente retirar a serra da peça de trabalho nem puxar a serra para trás enquanto a lâmina está em movimento, pois pode ocorrer recuo.** Investigue e execute as ações corretivas para eliminar as causas de a lâmina encravar.
3. **Quando efetuar o rearranque de uma serra na peça de trabalho, centre a lâmina da serra no corte, de modo a que os dentes da serra não fiquem engatados no material.** Se uma lâmina de serra dobrar, poderá levantar ou recuar da peça de trabalho à medida que é efetuado o rearranque da serra.
4. **Suporte os painéis grandes para minimizar o risco de a lâmina prender e recuar.** Os painéis grandes tendem a ceder sob o próprio peso. Os suportes devem ser colocados sob o painel, nos dois lados, perto da linha de corte e perto da extremidade do painel.

► Fig.2

► Fig.3

5. **Não utilize lâminas rombas ou estragadas.** As lâminas não afiadas ou mal colocadas produzem um corte estreito causando fricção excessiva, encravamento da lâmina e recuo.
6. **As alavancas de bloqueio de regulação de profundidade e ângulo de corte devem estar apertadas e presas antes de fazer o corte.** Se a regulação da lâmina se alterar durante o corte, pode causar encravamento e recuo.
7. **Tenha cuidado especialmente ao serrar em paredes existentes ou outras áreas ocultas.** A lâmina saliente pode cortar objetos que podem originar recuo.
8. **Agarre SEMPRE na ferramenta firmemente com as duas mãos. NUNCA coloque as mãos, pernas ou outra parte do corpo por baixo da base da ferramenta ou por trás da serra, especialmente quando executar cortes cruzados.** Se ocorrer recuo, a serra pode facilmente saltar para trás sobre a sua mão, ocasionando ferimentos pessoais graves.

► Fig.4

9. **Nunca force a serra. Empurre a serra para a frente a uma velocidade tal em que a lâmina corte sem perder velocidade.** Forçar a serra pode causar cortes desiguais, perda de precisão e possível recuo.

Função do resguardo

1. **Verifique se o resguardo fecha bem antes de cada utilização. Não utilize a serra se o resguardo não se movimentar livremente e se não envolver a lâmina instantaneamente. Nunca prenda o resguardo de tal forma que a lâmina fique exposta.** Se deixar cair a serra acidentalmente, o resguardo pode ficar torto. Certifique-se de que o resguardo se movimentará livremente e não toca na lâmina ou em qualquer outra parte, em todos os ângulos e profundidades de corte.

2. **Verifique o funcionamento e a condição da mola de retorno do resguardo. Se o resguardo e a mola não estiverem a funcionar corretamente, devem ser reparados antes da utilização.** O resguardo pode funcionar mal devido a peças estragadas, depósitos pastosos ou acumulação de fragmentos.
3. **Assegure que a placa base da serra não se desvia enquanto realiza o “corte de penetração”.** O desvio da lâmina na lateral causará a dobragem da lâmina e provavelmente o seu recuo.
4. **Certifique-se sempre de que o resguardo está a cobrir a lâmina antes de colocar a serra na bancada ou no chão.** Uma lâmina sem proteção, a rodar por inércia, fará com que a serra recue cortando tudo no seu caminho. Preste atenção ao tempo que a lâmina leva a parar depois de soltar o gatilho.

Avisos adicionais de segurança

1. **Tenha cuidado redobrado quando cortar madeira húmida, madeira tratada sob pressão ou madeira com nós.** Mantenha o avanço suave da ferramenta sem diminuir a velocidade da lâmina, de modo a evitar o sobreaquecimento das pontas das lâminas e, no caso de cortar plásticos, para evitar derreter o plástico.
2. **Não tente retirar material cortado quando a lâmina está em movimento. Espere até que a lâmina esteja completamente parada antes de pegar no material cortado.** A lâmina continua a rodar depois de desligar a ferramenta.
3. **Evite cortar pregos. Inspeccione e retire todos os pregos da madeira antes de cortar.**
4. **Coloque a parte mais larga da base da serra na parte da peça de trabalho que está firmemente suportada e não na secção que cairá quando faz o corte.** Se a peça de trabalho for curta ou pequena, prenda-a com grampos de fixação. **NÃO TENHA AGARRAR PEÇAS PEQUENAS COM A MÃO!**

► Fig.5

5. **Antes de colocar a ferramenta de lado depois de terminar um corte, certifique-se de que o resguardo fechou e que a lâmina está completamente parada.**
6. **Nunca tente serrar com a serra circular presa ao contrário num torno. É extremamente perigoso e pode originar acidentes graves.**

► Fig.6

7. **Alguns materiais contêm químicos que podem ser tóxicos. Tenha cuidado para evitar a inalação de pó e o contacto com a pele. Siga os dados de segurança do fornecedor.**
8. **Não pare as lâminas por meio de pressão lateral na lâmina de serra.**
9. **Não utilize discos abrasivos.**
10. **Utilize apenas uma lâmina de serra que tenha o diâmetro marcado na ferramenta ou especificado no manual.** A utilização de uma lâmina de tamanho incorreto pode afetar a proteção adequada da lâmina ou a operação de resguardo, o que pode resultar em ferimentos pessoais graves.

- Mantenha a lâmina afiada e limpa.** Os resíduos acumulados e pastosos tornam a serra mais lenta e aumentam a possibilidade de recuo. Mantenha a lâmina limpa retirando-a primeiro da ferramenta e limpando-a com um produto para remoção de resíduos pastosos, água quente ou querosene. Nunca utilize gasolina.
- Use uma máscara contra o pó e proteção auricular quando utilizar a ferramenta.**
- Use sempre a lâmina de serra prevista para cortar o material que vai cortar.**
- Apenas use lâminas de serra marcadas com uma velocidade igual ou superior à velocidade marcada na ferramenta.**
- (Apenas para países europeus)**
Use sempre a lâmina que possui conformidade com a EN847-1.

GUARDE ESTAS INSTRUÇÕES.

⚠️ AVISO: NÃO permita que o conforto ou familiaridade com o produto (adquirido com o uso repetido) substitua o cumprimento estrito das regras de segurança da ferramenta. A **MA INTERPRETAÇÃO** ou o não seguimento das regras de segurança estabelecidas neste manual de instruções pode provocar ferimentos pessoais graves.

DESCRIÇÃO FUNCIONAL

⚠️ PRECAUÇÃO: Certifique-se sempre de que a ferramenta está desligada e com a ficha retirada da tomada, antes de proceder a afinações ou de verificar o funcionamento da respetiva ferramenta.

Paragem rápida para serragem de ranhuras em superfícies de trabalho com espessuras de 3, 4 ou 6 mm

Rodando a paragem rápida, pode escolher rapidamente a profundidade adequada de serragem da ranhura em superfícies de trabalho de 3, 4 ou 6 mm de espessura.

O número, visto na parte lateral da pega, indica a espessura da placa de trabalho.

Para uma regulação fina da profundidade da ranhura, utilize o botão de regulação da profundidade.

► **Fig.7:** 1. Paragem rápida 2. Botão de regulação da profundidade

A profundidade de 0 mm é regulada adequadamente quando a ferramenta é entregue de fábrica, mas se tiver alterado a profundidade da ranhura com o botão de regulação, volte a regular a profundidade de 0 mm como se segue:

- Rode a paragem rápida para os 0 mm.
- Rode o botão de regulação da profundidade para regular a profundidade.
- Certifique-se de que a lâmina não entra em contacto com a peça de trabalho.

4. Mantenha a ferramenta firmemente segura colocando uma mão no punho frontal e a outra na pega da ferramenta. Prima o botão de desbloqueio e ligue a ferramenta.

5. Pressione lentamente a cabeça da serra para baixo até ao fim e verifique se a lâmina de serragem de ranhuras não entra em contacto mas quase que toca na peça de trabalho. Se isto não acontecer, pare a ferramenta e espere até a lâmina de serragem de ranhuras pare completamente e regule a profundidade rodando novamente o botão de regulação da profundidade.

Regulação da profundidade do corte

Para regular a profundidade do corte, rode o botão de regulação da profundidade.

Para um corte mais profundo, rode para a direita. Para um corte mais superficial, rode para a esquerda.

► **Fig.8:** 1. Botão de regulação da profundidade

Mira

A marca triangular na base indica o centro da lâmina de serragem de ranhuras.

Quando utilizar com a lâmina de serragem de ranhuras, alinhe a marca triangular exterior com a linha de corte. Quando utilizar com a lâmina de serra circular (acessório opcional), alinhe a marca triangular interior com a linha de corte.

► **Fig.9:** 1. Base 2. Marca triangular exterior 3. Marca triangular interior 4. Linha de corte

Ação do interruptor

⚠️ PRECAUÇÃO: Antes de ligar a ferramenta à corrente, verifique sempre se o gatilho funciona corretamente e volta para a posição "OFF" quando libertado.

Para evitar que o gatilho seja acidentalmente acionado, existe um botão de desbloqueio.

Para iniciar a ferramenta, empurre o botão de desbloqueio e carregue no gatilho.

Liberte o gatilho para parar.

► **Fig.10:** 1. Botão de desbloqueio 2. Gatilho

Indicador de regulação da velocidade

⚠️ PRECAUÇÃO: O indicador de regulação da velocidade não serve para ser utilizado com lâminas de baixa velocidade, mas para obter uma velocidade adequada ao material da peça de trabalho. Utilize apenas lâminas com uma classificação de, pelo menos, a velocidade máxima sem carga indicada nas ESPECIFICAÇÕES.

⚠️ PRECAUÇÃO: O indicador de regulação e da velocidade só pode ser rodado até ao 6 e de volta ao 1. Não o force além do 6 ou do 1, pois a função de regulação da velocidade pode deixar de trabalhar.

A velocidade da ferramenta pode ser regulada rodando o indicador de regulação. A velocidade mais elevada é obtida quando o indicador é rodado na direção do número 6. A velocidade mais baixa é obtida quando o mesmo é rodado na direção do número 1.

Consulte a tabela para selecionar a velocidade adequada ao corte da peça de trabalho. No entanto, a velocidade adequada pode ser diferente de acordo com o tipo ou espessura da peça de trabalho. Em geral, as velocidades mais altas permitem-lhe cortar mais rapidamente as peças de trabalho, mas a vida útil de utilização da lâmina será reduzida.

Número	min ⁻¹
1	2.200
2	2.700
3	3.800
4	4.900
5	6.000
6	6.400

► **Fig.11:** 1. Indicador de regulação da velocidade

Placa guia

Para alinhar a calha guia (acessório opcional) com a linha de corte, utilize a placa guia.

► **Fig.12:** 1. Placa guia 2. Extremidade da placa 3. Linha de corte

1. Coloque a placa guia na calha guia próxima do ponto de início do corte. A extremidade da placa representa o centro da lâmina de serragem de ranhuras. Alinhe a extremidade da placa com a linha de corte.

2. Depois, coloque novamente a placa guia na calha guia próxima do ponto de fim do corte. E alinhe novamente a extremidade da placa com a linha de corte.

Outras funcionalidades

As ferramentas equipadas com uma função eletrónica são fáceis de utilizar devido às seguintes funcionalidades.

Protetor contra sobrecarga

Quando a carga na ferramenta exceder os níveis admissíveis, a alimentação ao motor é reduzida para o proteger contra sobreaquecimento. Quando a carga voltar aos níveis admissíveis, a ferramenta funciona normalmente.

Controlo da velocidade constante

Controlo eletrónico da velocidade para obter uma velocidade constante. Possibilidade de obter um acabamento mais perfeito, porque a velocidade de rotação é mantida constante mesmo durante as condições de carga.

Funcionalidade de arranque suave

Há um arranque suave devido ao choque de arranque suprimido.

MONTAGEM

⚠PRECAUÇÃO: Certifique-se sempre de que a ferramenta está desligada e com a ficha retirada da tomada antes de executar quaisquer trabalhos na ferramenta.

Guardar a chave sextavada

A chave sextavada é guardada na ferramenta. Para retirar a chave sextavada, basta puxá-la para fora. Para instalar a chave sextavada, coloque-a no punho e empurre-a até ao fim.

► **Fig.13:** 1. Chave sextavada

Retirar ou instalar a lâmina de serragem de ranhuras

⚠PRECAUÇÃO: Não utilize lâminas que não respeitem as características especificadas nestas instruções.

⚠PRECAUÇÃO: Utilize apenas lâminas com uma classificação de, pelo menos, a velocidade máxima sem carga indicada nas ESPECIFICAÇÕES.

⚠PRECAUÇÃO: Certifique-se de que a lâmina está instalada com os dentes apontados para cima na parte da frente da ferramenta.

⚠PRECAUÇÃO: Utilize apenas a chave da Makita para instalar ou retirar a lâmina.

Para remover a lâmina de serragem de ranhuras, realize as seguintes etapas:

1. Assente a ferramenta com a caixa do motor e a base a tocarem no chão. Depois, insira a chave sextavada no orifício sextavado, empurre-a para dentro e abra a porta da caixa da lâmina rodando a chave sextavada.

► **Fig.14**

2. Pressione o travão do eixo até ao fim de modo que a lâmina não se mova, e solte o perno sextavado para a esquerda com a chave.

► **Fig.15:** 1. Travão do eixo 2. Perno sextavado

3. Retire o perno sextavado, a flange exterior e a lâmina.

► **Fig.16:** 1. Perno sextavado 2. Flange exterior 3. Lâmina de serragem de ranhuras 4. Flange interior

Para instalar a lâmina, execute inversamente o procedimento de remoção. **Certifique-se de que aperta firmemente o perno sextavado para a direita.** E feche a porta da caixa da lâmina depois de instalar a lâmina. Quando trocar a lâmina, certifique-se também de que limpa o pó de serra e as aparas acumulados nos resguardos indicados na secção Manutenção. Estas providências não substituem a necessidade de verificar o funcionamento do resguardo antes de cada utilização.

Utilização da lâmina de serra circular

Acessório opcional

NOTA: Não instale a saia quando utilizar uma lâmina da serra circular. Caso contrário, a lâmina da serra circular bate na saia e danifica a ferramenta.

Para instalar a lâmina de serra circular (acessório opcional), realize as seguintes etapas:

1. Retire dois pernos e retire a aba.
► **Fig.17:** 1. Aba
2. Retire a lâmina de serragem de ranhuras.
3. Faça deslizar a lâmina de serra circular através da abertura que a aba tapava.
4. Instale a lâmina de serra circular da mesma maneira que a lâmina de serragem de ranhuras. E feche a porta da caixa da lâmina depois de instalar a lâmina.
► **Fig.18:** 1. Perno sextavado 2. Flange exterior 3. Lâmina de serra circular 4. Flange interior
5. Ajuste a profundidade do corte rodando o botão de regulação da profundidade.

Guia paralela (régua guia)

Acessório opcional

⚠PRECAUÇÃO: Não utilize a guia paralela com a lâmina de serragem de ranhuras. Utilize a guia paralela apenas quando utilizar a ferramenta com a lâmina de serra circular (acessório opcional).

- **Fig.19:** 1. Guia paralela (régua guia)

A prática guia paralela permite-lhe executar cortes retos extra precisos. Deslize simplesmente a guia paralela para cima contra o lado da peça de trabalho e prenda-na posição com os parafusos na parte da frente e de trás da base. Também torna possível realizar cortes repetidos com espessura uniforme.

A guia paralela (régua guia) revirada também funciona como sub-base para a ferramenta.

Batente para uma profundidade de 2 a 3 mm de corte quando se utiliza uma lâmina de serra circular (acessório opcional) e uma calha guia (acessório opcional)

- **Fig.20:** 1. Batente 2. Marca vermelha

Esta ferramenta tem um batente para 2 a 3 mm de profundidade do corte na caixa de engrenagens, ao lado da pega traseira quando se utiliza a calha guia.

As farpas podem ser evitadas nas peças de trabalho fazendo uma passagem do primeiro de corte de 2 a 3 mm e, em seguida, fazendo outra passagem do corte normal. Primeiro, empurre o batente em direção à lâmina de serra circular para obter 2 a 3 mm de profundidade do corte.

Depois, puxe o botão para trás para realizar um corte de profundidade livre.

Certifique-se de que o batente é libertado e que a marca vermelha pode ser vista para a operação de serragem da ranhura.

Ligar um aspirador

Para a execução da operação de serragem de ranhuras, ligue um aspirador Makita à ferramenta.

Ligue uma mangueira do aspirador à porta da poeira.

- **Fig.21:** 1. Aspirador 2. Porta da poeira

OPERAÇÃO

⚠PRECAUÇÃO: Utilize sempre um punho frontal e a pega traseira e agarre na ferramenta firmemente tanto pelo punho frontal como pela pega traseira durante as operações.

Calha guia

Acessório opcional

Utilize sempre a calha guia para a operação de serragem de ranhuras.

Coloque a ferramenta na extremidade traseira da calha guia. Rode os dois parafusos de regulação na base da ferramenta de forma que a ferramenta deslize suavemente sem barulho.

- **Fig.22:** 1. Parafusos de regulação

Corte de ranhuras

⚠PRECAUÇÃO: Certifique-se de que desloca a ferramenta para a frente, suavemente em linha reta. Forçar ou torcer a ferramenta pode resultar em sobreaquecimento do motor e recuo perigoso, podendo causar ferimentos graves.

⚠PRECAUÇÃO: Nunca aproxime nenhuma parte do corpo por baixo da base da ferramenta durante o corte de secção, especialmente no início. O não cumprimento pode provocar ferimentos pessoais graves. A lâmina está exposta por baixo da base da ferramenta.

⚠PRECAUÇÃO: Use proteção para os olhos para evitar ferimentos.

⚠PRECAUÇÃO: Para a execução da operação de serragem de ranhuras, ligue sempre a ferramenta a um aspirador.

⚠PRECAUÇÃO: Agarre na ferramenta firmemente. A ferramenta é fornecida com um punho frontal e uma pega traseira. Utilize os dois para melhor agarrar na ferramenta. Se as duas mãos estiverem a agarrar na serra não poderão ser cortadas pela lâmina.

- **Fig.23**

1. Regule a profundidade do corte.
2. Coloque a ferramenta na calha guia.
3. Alinhe a calha guia ao longo da linha de corte utilizando a placa guia. Certifique-se de que a lâmina não entra em contacto com a peça de trabalho.
4. Prima o botão de desbloqueio e ligue a ferramenta, e espere até que a lâmina atinja a velocidade máxima.

5. Empurre a ferramenta para baixo lentamente até à profundidade de corte definida e desloque a ferramenta para a frente sobre a superfície da peça de trabalho, mantendo-a plana e avançando suavemente até que o corte esteja terminado.

6. Quando o corte estiver terminado, liberte o gatilho, espere que a lâmina pare e, em seguida, retire a ferramenta.

Para obter cortes limpos, mantenha a linha de corte direita e a velocidade de avanço uniforme. Se o corte não seguir corretamente a linha de corte pretendida, **não tente rodar nem forçar a ferramenta de volta à linha de corte**. Pode dobrar a lâmina e originar um recuo perigoso e possíveis ferimentos graves.

Corte penetrante (recorte)

⚠️ AVISO: Para evitar recuos, certifique-se de que segue as seguintes instruções.

1. Coloque a ferramenta na calha guia com a extremidade traseira da base da ferramenta encostada a um batente fixo ou equivalente preso na calha guia.

► Fig.24: 1. Batente fixo

2. Mantenha a ferramenta firmemente segura colocando uma mão no punho frontal e a outra na pega da ferramenta. Prima o botão de desbloqueio e ligue a ferramenta, depois espere até que a lâmina atinja a velocidade máxima.

3. Empurre a cabeça da serra para baixo lentamente até à profundidade de corte definida e desloque a ferramenta para a frente até à posição de penetração pretendida.

NOTA: A marca triangular na caixa da lâmina mostra o centro aproximado da mesma.

► Fig.25: 1. Marca triangular

MANUTENÇÃO

⚠️ PRECAUÇÃO: Certifique-se sempre de que a ferramenta está desligada e com a ficha retirada da tomada antes de tentar proceder à inspeção ou à manutenção.

⚠️ PRECAUÇÃO: Limpe o resguardo para garantir que não existem poeiras e aparas acumuladas que possam impedir o funcionamento do sistema de resguardo. Um sistema de resguardo sujo pode limitar o funcionamento adequado o que pode resultar em ferimentos pessoais graves. A forma mais eficaz de conseguir esta limpeza é com ar comprimido. **Se a poeira estiver a ser soprada do resguardo, certifique-se de que utiliza proteções auriculares e respiratórias adequadas.**

OBSERVAÇÃO: Nunca utilize gasolina, benzina, diluente, álcool ou produtos semelhantes. Pode ocorrer a descoloração, deformação ou rachaduras.

Substituição das escovas de carvão

► Fig.26: 1. Marca limite

Verifique regularmente as escovas de carvão. Substitua-as quando estiverem gastas até à marca limite. Mantenha as escovas de carvão limpas e a deslizar nos suportes. As duas escovas de carvão devem ser substituídas ao mesmo tempo. Só utilize escovas de carvão idênticas.

1. Utilize uma chave de parafusos para retirar as tampas do suporte das escovas.

2. Retire as escovas de carvão usadas, coloque as novas e prenda as tampas do suporte das escovas.

► Fig.27: 1. Tampa do suporte das escovas

Para manter a SEGURANÇA e a FIABILIDADE do produto, as reparações e qualquer outra manutenção ou ajuste devem ser levados a cabo pelos centros de assistência Makita autorizados ou pelos centros de assistência de fábrica, utilizando sempre peças de substituição Makita.

ACESSÓRIOS OPCIONAIS

⚠️ PRECAUÇÃO: Estes acessórios ou peças são recomendados para utilização com a ferramenta Makita especificada neste manual. A utilização de outros acessórios ou peças pode ser perigosa para as pessoas. Utilize apenas acessórios ou peças para os fins indicados.

Se necessitar de informações adicionais relativas a estes acessórios, solicite-as ao seu centro de assistência Makita.

- Calha guia
- Lâmina de serragem de ranhuras de 90°
- Lâmina de serragem de ranhuras de 135°
- Placa guia
- Lâmina de serra circular
- Guia paralela (régua guia)
- Grampo
- Chave sextavada
- Folha configurada para a calha guia
- Folha de borracha configurada para a calha guia
- Folha de posicionamento para a calha guia
- Conjunto da guia de bisel

NOTA: Alguns itens da lista podem estar incluídos na embalagem da ferramenta como acessórios padrão. Eles podem variar de país para país.







SPECIFIKATIONER

Model:	CA5000
Diameter af rilleskæreklinge	118,0 mm
Diameter af rundsavklinge	165,0 mm
Maksimal skæredybde (med rilleskæreklinge)	11,0 mm
Maksimal skæredybde (med rundsavklinge)	36,0 mm
Hastighed uden belastning	2.200 - 6.400 min ⁻¹
Længed i alt	346 mm
Nettovægt	4,7 kg
Sikkerhedsklasse	□/II

- På grund af vores kontinuerlige forsknings- og udviklingsprogrammer kan hosstående specifikationer blive ændret uden varsel.
- Specifikationer kan variere fra land til land.
- Vægt i henhold til EPTA-procedure 01/2014

Symboler

Følgende viser de symboler, der muligvis anvendes til udstyret. Sørg for, at du forstår deres betydning før brugen.

	Læs brugsanvisningen.
	DOBBELT ISOLERING
	Bær sikkerhedsbriller.
	Rilleskæreklinge
	Rundsavklinge
	Kun for lande inden for EU Elektrisk udstyr må ikke bortskaffes sammen med almindelig husholdningsaffald! I henhold til det europæiske direktiv vedrørende håndtering af elektrisk og elektronisk affald og dets implementering i henhold til national lovgivning skal elektrisk udstyr, der har nået slutningen af dets levetid, indsamles separat og returneres til et genindvindingsanlæg, der overholder miljøkravene.

Tilsluttet anvendelse

Maskinen er specielt beregnet til at skære riller i kompositbrædder, der er fremstillet af aluminium, plastik, mineralholdigt plastik og lignende materialer. Hvis maskinen er udstyret med en ægte rundsavklinge, kan den benyttes til at save i træ og aluminium.

Strømforsyning

Maskinen må kun tilsluttes en strømforsyning med samme spænding som angivet på typeskiltet og kan kun anvendes på enfaset vekselstrømforsyning. Den er dobbeltisoleret og kan derfor også tilsluttes netstik uden jordforbindelse.

Støj

Det typiske A-vægtede støjniveau bestemt i overensstemmelse med EN62841:

Lydtryksniveau (L_{pA}): 88 dB (A)
Lydeffektniveau (L_{WA}): 99 dB (A)
Usikkerhed (K): 3 dB (A)

BEMÆRK: De(n) angivne støjemissionsværdi(er) er målt i overensstemmelse med en standardtestmetode og kan anvendes til at sammenligne en maskine med en anden.

BEMÆRK: De(n) angivne støjemissionsværdi(er) kan også anvendes i en præliminær eksponeringsvurdering.

⚠ADVARSEL: Bær høreværn.

⚠ADVARSEL: Støjemissionen under den faktiske anvendelse af maskinen kan være forskellig fra de(n) angivne værdi(er), afhængigt af den måde hvorpå maskinen anvendes, især den type arbejdsemne der behandles.

⚠ADVARSEL: Sørg for at identificere de sikkerhedsforskrifter til beskyttelse af operatøren, som er baseret på en vurdering af eksponering under de faktiske brugsforhold (med hensyntagen til alle dele i brugscyklussen, f.eks. de gange, hvor maskinen er slukket, og når den kører i tomgang i tilgift til afbrydertiden).

Vibration

Vibrationens totalværdi (tre-aksial vektorsum) bestemt i overensstemmelse med EN62841:

Arbejdstilstand: rilleskæring i

aluminium-kompositmaterialer

Vibrationsemission (a_v): 2,5 m/s² eller mindre

Usikkerhed (K): 1,5 m/s²

Arbejdstilstand: skæring i træ

Vibrationsemission ($a_{h,w}$): 2,5 m/s² eller mindre

Usikkerhed (K): 1,5 m/s²

Arbejdstilstand: skæring af metal

Vibrationsemission ($a_{h,m}$): 2,5 m/s² eller mindre

Usikkerhed (K): 1,5 m/s²

BEMÆRK: De(n) angivne totalværdi(er) for vibration er målt i overensstemmelse med en standardtestmetode og kan anvendes til at sammenligne en maskine med en anden.

BEMÆRK: De(n) angivne totalværdi(er) for vibration kan også anvendes i en præliminær eksponeringsvurdering.

⚠ ADVARSEL: Vibrationsemissionen under den faktiske anvendelse af maskinen kan være forskellig fra de(n) angivne værdi(er), afhængigt af den måde hvorpå maskinen anvendes, især den type arbejdsemne der behandles.

⚠ ADVARSEL: Sørg for at identificere de sikkerhedsforskrifter til beskyttelse af operatøren, som er baseret på en vurdering af eksponering under de faktiske brugsforhold (med hensyntagen til alle dele i brugscyklussen, f.eks. de gange, hvor maskinen er slukket, og når den kører i tomgang i tilgift til afbrydertiden).

EF-overensstemmelseserklæring

Kun for lande i Europa

EF-overensstemmelseserklæringen er inkluderet som Bilag A i denne brugsanvisning.

Almindelige sikkerhedsregler for el-værktøj

⚠ ADVARSEL: Læs alle de sikkerhedsadvarsler, instruktioner, illustrationer og specifikationer, der følger med denne maskine. Forsømmelse af at overholde alle nedenstående instruktioner kan medføre elektrisk stød, brand og/eller alvorlig personskade.

Gem alle advarsler og instruktioner til fremtidig reference.

Ordet "el-værktøj" i advarslerne henviser til det netforsynede (netledning) el-værktøj eller batteriforsynede (akku) el-værktøj.

Sikkerhedsregler for rundsav

Frengangsmåder for skæring

1. **⚠ FARE:** Hold hænderne på god afstand af skærområdet og klingens. Hold den anden hånd på hjælpéhåndtaget eller motorhuset. Hvis De holder saven med begge hænder, kan klingens ikke komme til at skære i dem.

2. **Ræk ikke ned under arbejdsemnet.** Beskyttelseskærmen kan ikke beskytte Dem mod klingens nedden under arbejdsemnet.
3. **Justér skæredybden efter tykkelsen af arbejdsemnet.** Mindre end en hel tand i klingetænderne bør være synlig under arbejdsemnet.
4. **Hold aldrig arbejdsemnet i hænderne eller hen over benet, mens der skæres. Fastgør arbejdsemnet til en stabil platform.** Det er vigtigt at understøtte arbejdsemnet korrekt for at minimere risikoen for udsættelse af kroppen, binding af klingens eller tab af kontrollen.

► Fig.1

5. **Hold maskinen i de isolerede håndtagsflader, når der udføres et arbejde, hvor den skærende maskine kan komme i kontakt med skjulte ledninger eller maskinens egen ledning.** Kontakt med en strømførende ledning vil bevirke, at synlige metaldele på maskinen også bliver strømførende, hvorved operatøren kan få elektrisk stød.
6. **Ved kløvning skal der altid anvendes et paral-lelslag eller en lige styreskinne.** Dette vil forbedre nøjagtigheden af snittet og mindske risikoen for, at klingens binder.
7. **Brug altid klings med akselhuller af den korrekte størrelse og form (kantede eller runde).** Klings, der ikke svarer til savens monteringsdele, vil rotere skævt, så du mister kontrollen.
8. **Anvend aldrig beskadigede eller forkerte spændeskiver og bolte til klingens.** Klingsens spændeskiver og bolte er specielt fremstillede til Deres sav og til optimal ydelse og sikker anvendelse.

Årsager til tilbageslag og relaterede advarsler

- Tilbageslag er en pludselig reaktion på en fastklemt, fastsiddende eller forkert justeret savklinge, som kan medføre, at en ukontrolleret sav løftes opad og ud af arbejdsemnet i retning mod operatøren.
 - Når klingens kommer i klemme eller sidder fast, fordi savsnittet lukkes sammen, stopper klingens, og motorreaktionen skubber apparatet hurtigt tilbage mod operatøren.
 - hvis klingens bliver bøjet eller fejljusteret i snittet, kan tænderne på bagkanten af klingens grave sig ind i træets øverste overflade, hvorved klingens kan smutte ud af savsnittet og springe tilbage i retning mod operatøren.
- Tilbageslag skyldes forkert anvendelse af savens og/eller forkert frengangsmåde for anvendelse eller forkerte forhold og kan undgås ved, at der træffes de rigtige forholdsregler som vist herunder.

1. **Oprethold et fast greb med begge hænder på savens, og hold armene således, at tilbageslagskraften modvirkes. Stil Dem på siden af klingens, men ikke på linje med den.** Tilbageslag kan bevirke, at savens springer bagud, men tilbageslagskraften kan kontrolleres af operatøren, hvis denne træffer de fornødne forholdsregler.
2. **Hvis klingens binder, eller hvis skæringen af en eller anden årsag afbrydes, skal De slippe afbryderknappen og holde savens stille i materialet, indtil klingens er standset helt. Forsøg aldrig at fjerne savens fra arbejdsemnet eller at trække savens bagud, mens klingens er i bevægelse, da dette kan medføre tilbageslag.** Undersøg situationen, og træf afhjælpningsforanstaltninger for at eliminere årsagen til, at klingens binder.

3. Når saven startes igen i arbejdsemnet, skal du centrere savklingen i savsnittet, så savtænderne ikke sidder fast i emnet. Hvis savklingen binder, kan den bevæge sig opad eller slå tilbage fra arbejdsemnet, når saven startes igen.
4. Anvend store støtteplader til at minimere risikoen for fastklemning af klingens og tilbageslag. Store plader har tendens til at synke under deres egen vægt. Der skal anbringes støtter under pladerne i begge sider, i nærheden af skærelinjen og nær kanten af pladen.

► Fig.2

► Fig.3

5. Anvend ikke sløve eller beskadigede klinger. Uskarpe eller forkert monterede klinger frembringer et snævert savsnit, som medfører kraftig friktion, binding af klingens og tilbageslag.
6. Låsegrebene til klingedybde og skrånsnitindstilling skal være stramme og sikre, inden skæringen påbegyndes. Hvis klingeindstillingen ændrer sig under skæringen, kan der opstå binding og tilbageslag.
7. Vær særlig forsigtig, når der saves ind i eksisterende vægge eller andre skjulte områder. Savklingen, som stikker frem, kan komme til at skære i genstande, der kan medføre tilbageslag.
8. Hold **ALTID** fast i maskinen med begge hænder. Placer **ALDRIG** Deres hånd, ben eller nogen del af kroppen under maskinens grundplade eller bag ved saven, især når De foretager krydssnit. Hvis der opstår tilbageslag, kan saven nemt springe bagud over Deres hånd, hvorved der kan ske alvorlig personskade.

► Fig.4

9. Pres aldrig saven. Tryk saven fremad med en hastighed, så klingens skærer, uden at hastigheden sænkes. Hvis De presser saven, kan der opstå uensartede skæringer, tab af præcision og muligt tilbageslag.

Beskyttelsesskærmens funktion

1. Kontrollér, at beskyttelsesskærmen lukker korrekt inden hver brug. Anvend ikke saven, hvis beskyttelsesskærmen ikke bevæger sig frit og lukker med det samme. Beskyttelsesskærmen må aldrig fastspændes eller fastbindes, så klingens er blottet. Hvis saven ved et uheld tabes, kan beskyttelsesskærmen blive bøjet. Se efter, at beskyttelsesskærmen bevæger sig frit og ikke kommer i berøring med klingens eller andre dele, i alle vinkler og dybder til skæring.
2. Kontrollér skærmreturfederens funktion og tilstand. Hvis skærmen og federen ikke fungerer korrekt, skal de serviceres inden brugen. Beskyttelsesskærmen kan fungere trægt på grund af beskadigede dele, gummi aflejringer eller ansamling af affaldsstoffer.
3. Kontroller, at savens grundplade ikke flytter sig, når der udføres et "indstik". Hvis klingens flytter sig sidelæns, vil det medføre binding og sandsynligvis tilbageslag.
4. Sørg altid for, at beskyttelsesskærmen dækker klingens, inden saven anbringes på bænken eller gulvet. En ubeskyttet roterende klinge vil bevirke, at saven bevæger sig bagud og skærer i alt, hvad der er i dens bane. Vær opmærksom på den tid, det tager for klingens at stoppe, efter at afbryderen er sluppet.

Supplerende sikkerhedsforskrifter

1. Vær ekstra forsigtig ved skæring i fugtigt træ, trykbehandlet træ eller træ, der indeholder knaster. Sørg for, at maskinens bevæger sig jævnt fremad, uden at klingehastigheden mindskes, for at undgå overophedning af klingspidserne og, hvis der skæres i plastik, for at undgå, at plastikken smelter.
2. Forsøg ikke at fjerne afskåret materiale, mens klingen roterer. Vent, indtil klingens er standset, inden De fjerner afskåret materiale. Klingens fortsætter med at rotere, efter at der er slukket for maskinen.
3. Undgå at skære i søm. Se efter, om der er søm i tømmeret, og fjern alle søm, inden skæringen påbegyndes.
4. Anbring den bredeste del af savgrundpladen på den del af arbejdsemnet, som er solidt understøttet, ikke på den del, som vil falde af, når skæringen er fuldført. Hvis arbejdsemnet er kort eller lille, skal det spændes fast. **FORSØG IKKE AT HOLDE KORTE ARBEJDESMENER FAST MED HÅNDEN!**

► Fig.5

5. Inden De lægger maskinen fra Dem efter at have fuldført en skæring, skal De sikre Dem, at beskyttelsesskærmen er lukket, og at klingens er standset fuldstændigt.
6. Forsøg aldrig at save med rundsaven holdt på hovedet i en skruetvinge. Dette er yderst farligt og kan føre til alvorlige ulykker.

► Fig.6

7. Noget materiale indeholder kemikalier, som kan være giftige. Vær påpasselig med ikke at indånde støv, og undgå hudkontakt. Følg fabrikantens sikkerhedsdata.
8. Stop ikke klingerne ved hjælp af lateralt tryk på savklingen.
9. Anvend ikke slibeskiver.
10. Anvend kun savklinger med den diameter, der er markeret på maskinen eller specificeret i manualen. Brug af en klinge med en forkert størrelse kan hindre korrekt afskærmning af klingens eller beskyttelsesskærmens funktion, hvilket kan medføre alvorlig personskade.
11. Hold altid klingens skarp og ren. Gummi og træbælg, som er størknet på klingens, gør savens langsommere og øger risikoen for tilbageslag. Hold altid klingens ren ved først at tage den af maskinen og derefter rengøre den med en gummi- og befjernere, varmt vand eller petroleum. Anvend aldrig benzin.
12. Bær altid støvmaske og høreværn, når De anvender maskinen.
13. Brug altid en savklinge, der er beregnet til at skære i det materiale, du skal skære i.
14. Brug kun savklinger, der er markeret med en hastighed svarende til eller større end den hastighed, der er angivet på maskinen.
15. (Kun for lande i Europa)
Brug altid en klinge, der overholder EN847-1.

GEM DISSE FORSKRIFTER.

⚠ ADVARSEL: LAD IKKE bekvemmelighed eller kendskab til produktet (opnået gennem gentagen brug) forhindre, at sikkerhedsforskrifterne for produktet nøje overholdes. MISBRUG eller for sømmelse af at følge de i denne brugsvejledning givne sikkerhedsforskrifter kan medføre alvorlig personskade.

FUNKTIONSBESKRIVELSE

⚠ FORSIGTIG: Kontrollér altid, at maskinen er slået fra, og at netstikket er trukket ud, før der udføres justeringer, eller funktioner kontrolleres på maskinen.

Hurtigstop for rilleskæringer i 3, 4 eller 6 mm tykke brædder

Ved at dreje på hurtigstopet kan De hurtigt vælge den ønskede dybde til rilleskæringer i 3, 4 eller 6 mm tykke brædder.

Tallet, der ses fra håndtagssiden, angiver tykkelsen af arbejdsemnet.

Brug dybdejusteringshåndtaget til at finjustere dybden af rillen.

► **Fig.7:** 1. Hurtigstop 2. Dybdejusteringshåndtag

0 mm dybde er indstillet korrekt, når maskinen leveres fra fabrikken, men hvis De har ændret rilledybden med justeringshåndtaget, kan 0 mm dybde indstilles på følgende måde:

1. Drej hurtigstopet til 0 mm.
2. Drej på dybdejusteringshåndtaget for at justere dybden.
3. Kontrollér, at klingens ikke kommer i kontakt med arbejdsemnet.
4. Hold maskinen fast med den ene hånd på frontgrebet og den anden på maskinhåndtaget. Tryk låseknappen ind, og tænd for maskinen.
5. Tryk forsigtigt savhovedet helt ned, og kontrollér, at rilleskærerklingen ikke kommer i kontakt med, men næsten berører arbejdsemnet. Hvis det ikke er tilfældet, skal De stoppe maskinen og vente, til rilleskærerklingen er stoppet helt, og derefter justere dybden ved at dreje dybdejusteringshåndtaget igen.

Justering af skæredybde

Drej dybdejusteringshåndtaget for at justere dybden af snittet.

Drej det med uret for et dybere snit. Drej det mod uret for et mindre dybt snit.

► **Fig.8:** 1. Dybdejusteringshåndtag

Indstilling

Trekantet mærke på grundpladen angiver midten af rilleskærerklingen.

Ved anvendelse med rilleskærerklingen skal det trekantede mærke på ydersiden justeres i forhold til snitlinjen.

Ved anvendelse med rundsavklingen (ekstraudstyr) skal det trekantede mærke på indersiden justeres i forhold til snitlinjen.

► **Fig.9:** 1. Grundplade 2. Udvendigt trekantet mærke 3. Indvendigt trekantet mærke 4. Snitlinje

Afbryderfunktion

⚠ FORSIGTIG: Før maskinen sættes i stikkontakten, skal De altid kontrollere, at afbryderknappen fungerer korrekt og returnerer til "OFF"-positionen, når den slippes.

For at forhindre utilsigtet indtrykning af afbryderknappen er maskinen udstyret med en låseknap.

For at starte maskinen skal De trykke låseknappen ind og trække afbryderknappen.

Slip afbryderknappen for at stoppe.

► **Fig.10:** 1. Låseknap 2. Afbryderknap

Hastighedsjusteringshåndtag

⚠ FORSIGTIG: Hastighedsjusteringshåndtaget er ikke beregnet til brug af klinger, der er normeret til en lav hastighed, men til at opnå en hastighed, der passer til arbejdsemnets materiale. Brug kun klinger, der er normeret til mindst den maksimale hastighed uden belastning, der er angivet under SPECIFIKATIONER.

⚠ FORSIGTIG: Hastighedsjusteringshåndtaget kan kun drejes så langt som til 6 og tilbage til 1. **Prøv ikke at tvinge det forbi 6 eller 1, da hastighedsjusteringsfunktionen ellers muligvis ikke længere vil fungere.**

Maskinens hastighed kan justeres ved at dreje justeringshåndtaget. Der opnås en højere hastighed ved at dreje håndtaget i retning mod tallet 6, og der opnås en lavere hastighed ved at dreje det i retning mod tallet 1. Se i tabellen for at vælge den rigtige hastighed til det arbejdsemne, der skal savs i. Den rigtige hastighed kan imidlertid afhænge af arbejdsemnets type eller tykkelse. Generelt gør højere hastigheder det muligt at skære hurtigere i arbejdsemner, men klingens levetid reduceres.

Nummer	min ⁻¹
1	2.200
2	2.700
3	3.800
4	4.900
5	6.000
6	6.400

► **Fig.11:** 1. Hastighedsjusteringshåndtag

Styreplade

Brug styrepladen til at justere styreskinnen (ekstraudstyr) med snitlinjen.

► **Fig.12:** 1. Styreplade 2. Pladens kant 3. Snitlinje

1. Placér styrepladen på styreskinnen i nærheden af startpunktet for snittet. Kanten af pladen repræsenterer midten af rilleskærerklingen. Juster pladens kant i forhold til snitlinjen.

2. Placér derefter igen styrepladen på styreskinnen i nærheden af slutpunktet for snittet. Og justér pladens kant i forhold til snitlinjen igen.

Andre funktioner

Maskiner, der er udstyret med elektronisk funktion, er nemme at betjene på grund af de følgende funktioner.

Overbelastningsbeskyttelse

Når belastningen på maskinen overstiger det tilladelige niveau, reduceres effekten til motoren for at beskytte motoren mod overophedning. Når belastningen igen falder til et tilladeligt niveau, fungerer maskinen som normalt.

Konstant hastighedskontrol

Elektronisk hastighedskontrol til opnåelse af en konstant hastighed. Det er muligt at opnå en pæn finish, fordi omdrejningshastigheden holdes konstant selv under belastning.

Funktion til blød start

Blød start, fordi startvibrationen dæmpes.

SAMLING

⚠FORSIGTIG: Sørg altid for, at maskinen er slukket og taget ud af forbindelse, inden der udføres nogen form for arbejde på maskinen.

Opbevaring af unbrakonøgle

Unbrakonøglen opbevares på maskinen. Træk unbrakonøglen ud for at fjerne den. Unbrakonøglen monteres ved at placere den på grebet og sætte den så langt ind, som den kan komme.

► Fig.13: 1. Unbrakonøgle

Montering eller afmontering af rilleskærrerklungen

⚠FORSIGTIG: Anvend ikke klinger, der ikke overholder de karakteristika, som er specificeret i disse instruktioner.

⚠FORSIGTIG: Brug kun klinger, der er normeret til mindst den maksimale hastighed uden belastning, der er angivet under SPECIFIKATIONER.

⚠FORSIGTIG: Sørg for at montere klingens med dens tænder vendende opad på den forreste del af maskinen.

⚠FORSIGTIG: Anvend kun Makita-nøglen til montering og afmontering af klingens.

Udfør følgende trin for at fjerne rilleskærrerklungen:

1. Læg maskinen ned, så motorhuset og grundpladen rører jorden. Sæt derefter unbrakonøglen i det sekskantede hul, skub den ind, og åbn lågen til klingerummet ved at dreje unbrakonøglen.

► Fig.14

2. Tryk skaftlåsen helt ned, så klingens ikke roterer, og brug derefter nøglen til at løsne sekskantboltens i retning mod uret.

► Fig.15: 1. Skaftlås 2. Sekskantbolt

3. Fjern sekskantboltens, den ydre flange og klingens.

► Fig.16: 1. Sekskantbolt 2. Ydre flange
3. Rilleskærrerklunge 4. Indre flange

For at montere savklingen skal De følge proceduren for afmontering i modsat rækkefølge. **Sørg for at stramme sekskantboltens fast i retning med uret.** Og luk lågen til klingerummet, efter at klingens er monteret.

Når savklingen skiftes ud, skal De også sørge for at fjerne ophobet savsmuld og spåner fra beskyttelseskærmen som beskrevet i afsnittet Vedligeholdelse. Disse tiltag erstatter ikke nødvendigheden af at kontrollere beskyttelseskærmen funktion inden hver brug.

Brug af rundsavklinge

Ekstraudstyr

BEMÆRK: Monter ikke kraven ved anvendelse af rundsavklinge. Ellers rammer rundsavklingen kraven og beskadiger maskinen.

Udfør følgende trin for at montere rundsavklingen (ekstraudstyr):

1. Fjern to bolte, og fjern kraven.

► Fig.17: 1. Krave

2. Afmonter rilleskærrerklungen.

3. Skub rundsavklingen gennem fra den åbning, som kraven dækkede.

4. Monter rundsavklingen på samme måde som rilleskærrerklungen. Og luk lågen til klingerummet, efter at klingens er monteret.

► Fig.18: 1. Sekskantbolt 2. Ydre flange
3. Rundsavklinge 4. Indre flange

5. Justér dybden af snittet ved at dreje dybdejusteringshåndtaget.

Parallelanslag (styreskinne)

Ekstraudstyr

⚠FORSIGTIG: Anvend ikke parallelanslaget sammen med rilleskærrerklungen. Anvend kun parallelanslaget, når maskinen bruges med rundsavklingen (ekstraudstyr).

► Fig.19: 1. Parallelanslag (styreskinne)

Det praktiske parallelanslag gør det muligt at udføre særligt nøjagtige lige snit. De behøver blot at trykke parallelanslaget helt op mod siden af arbejdsemnet og fastgøre det i stilling med skruerne foran og bag på grundpladen. Det muliggør også gentagen savning med ens bredde.

Hvis parallelanslaget (styreskinnen) vendes, fungerer det også som en undergrundplade for maskinen.

Anslag til 2 til 3 mm snitdybde ved brug af rundsavklinge (ekstraudstyr) og styreskinne (ekstraudstyr)

► Fig.20: 1. Anslag 2. Rødt mærke

Maskinen har anslag til 2 til 3 mm snitdybde på gearhuset ved siden af baghåndtaget ved brug af styreskinne. Splinter på arbejdsemnet kan undgås ved at foretage et gennemløb af det første 2 til 3 mm snit og derefter foretage et andet gennemløb af det sædvanlige snit. Skub først anslaget mod rundsavklingen for at opnå en snitdybde på 2 til 3 mm.

Træk derefter knappen tilbage for at foretage et snit med fri dybde.

Kontrollér, at anslaget er sluppet, og at det røde mærke er synligt for rilleskæring.

Tilslutning af en støvsuger

Ved rilleskæring kan De tilslutte en Makita-støvsuger til maskinen. Slut støvsugerens slange til støvporten.

► Fig.21: 1. Støvsuger 2. Støvport

ANVENDELSE

⚠FORSIGTIG: Anvend altid et frontgreb og baghåndtag, og hold maskinen fast i både frontgrebet og baghåndtaget under betjening.

Styreskinne

Ekstraudstyr

Anvend altid styreskinnen til rilleskæring. Placér maskinen i den bageste ende af styreskinnen. Drej to justeringsskruer på maskinens grundplade, så maskinen glider jævnt uden at skramle.

► Fig.22: 1. Justeringsskruer

Rilleskæring

⚠FORSIGTIG: Sørg for at føre maskinen roligt frem i en lige linje. Hvis maskinen tvinges eller drejes, kan resultatet blive overophedning af motoren og farligt tilbageslag med risiko for alvorlig personskade.

⚠FORSIGTIG: Placér aldrig nogen del af kroppen under maskinens grundplade, når De foretager sektionssnit, især ved start. Dette kan medføre alvorlig personskade. Klingens er blottet under maskinens grundplade.

⚠FORSIGTIG: Anvend øjenbeskyttelse for at undgå personskade.

⚠FORSIGTIG: Ved rilleskæring skal De altid slutte maskinen til en støvsuger.

⚠FORSIGTIG: Hold godt fast i maskinen. Maskinen er udstyret med både et frontgreb og et baghåndtag. Anvend begge, så det bedste greb om maskinen opnås. Hvis De holder i saven med begge hænder, kan De ikke skære dem på savklingen.

► Fig.23

1. Justér skæredybden.
2. Sæt maskinen på styreskinnen.
3. Justér styreskinnen i forhold til snitlinjen ved hjælp af styrepladen. Kontrollér, at klingens ikke kommer i kontakt med arbejdsemnet.
4. Tryk låseknappen ind, og tænd for maskinen, og vent, indtil klingens er kommet op på fuld hastighed.
5. Tryk maskinen langsomt ned til den forudindstillede snitdybde, og før nu ganske enkelt maskinen over arbejdsemnets overflade, idet De holder den fladt og fører den jævnt frem, indtil savningen er fuldført.
6. Når savningen er fuldført, skal De slippe afbryderen og vente, til klingens er stoppet, og derefter fjerne maskinen.

For at opnå rene snit skal De holde savelinjen lige og fremføringshastigheden jævn. Hvis snittet ikke følger Deres planlagte snitlinje, må De ikke forsøge at dreje eller tvinge maskinen tilbage til snitlinjen. Dette kan fastlåse klingens og føre til farlige tilbageslag og mulig alvorlig personskade.

Stikskæring (udskæring)

⚠ADVARSEL: Sørg for at overholde de følgende instruktioner for at undgå tilbageslag.

1. Placér maskinen på styreskinnen med bagkanten af maskinens grundplade mod et fast stop eller lignende, der er spændt fast på styreskinnen.

► Fig.24: 1. Fast stop

2. Hold maskinen fast med den ene hånd på frontgrebet og den anden på maskinhåndtaget. Tryk låseknappen ind, og tænd for maskinen, og vent derefter, indtil klingens er kommet op på fuld hastighed.

3. Tryk savhovedet langsomt ned til den forudindstillede snitdybde, og flyt maskinen frem til den ønskede stikposition.

BEMÆRK: Det trekantede mærke på klingerummet angiver klingens omtrentlige centrum.

► Fig.25: 1. Trekantet mærke

VEDLIGEHOLDELSE

⚠FORSIGTIG: Kontrollér altid, at der er slukket for maskinen, og at netstikket er trukket ud, før der udføres eftersyn eller vedligeholdelse.

⚠FORSIGTIG: Rengør beskyttelseskærmen for at sikre Dem, at der ikke sidder ophobet savsmuld og spåner, der kan forhindre beskyttelsessystemet i at fungere korrekt. Et snavset beskyttelsessystem kan hindre korrekt funktion, hvilket kan medføre alvorlig personskade. Rengøringen udføres mest effektivt med trykluft. Hvis der blæses støv ud af beskyttelseskærmen, skal De sørge for at anvende korrekt øjen- og åndedrætsbeskyttelse.

BEMÆRKNING: Anvend aldrig benzin, rensbenzin, fortynder, alkohol og lignende. Det kan medføre misfarvning, deformation eller revner.

Udskiftning af kulbørster

► Fig.26: 1. Slidgrænse

Kontrollér kulbørsterne med regelmæssige mellemrum. Udskift dem, når de er slidt ned til slidgrænsen. Hold kulbørsterne rene og i stand til frit at glide ind i holderne. Begge kulbørster skal udskiftes parvist samtidigt. Anvend kun identiske kulbørster.

1. Benyt en skruetrækker til at afmontere kulholderdækslerne.
2. Tag de slidte kulbørster ud, isæt de nye, og fastgør derefter kulholderdækslerne.

► Fig.27: 1. Kulholderdæksel

For at opretholde produktets SIKKERHED og PÅLIDELIGHED må reparation, vedligeholdelse eller justering kun udføres af et autoriseret Makita servicecenter eller fabrikksservicecenter med anvendelse af Makita reservedele.

EKSTRAUDSTYR

⚠FORSIGTIG: Det følgende tilbehør og ekstraudstyr er anbefalet til brug med Deres Makita maskine, der er beskrevet i denne brugsanvisning. Anvendelse af andet tilbehør eller ekstraudstyr kan udgøre en risiko for personskade. Anvend kun tilbehør og ekstraudstyr til det beskrevne formål.

Hvis De behøver hjælp ved valg af tilbehør eller ønsker yderligere informationer, bedes De kontakte Deres lokale Makita servicecenter.

- Styreskinne
- 90° rilleskærerklinge
- 135° rilleskærerklinge
- Styreplade
- Rundsavklinge
- Parallelanslag (styreskinne)
- Fastholder
- Unbrakonøgle
- Arksæt til styreskinne
- Gummiarksæt til styreskinne
- Placeringsark til styreskinne
- Støttesæt til skråsnit

BEMÆRK: Nogle ting på denne liste kan være inkluderet i værktøjspakken som standardtilbehør. Det kan være forskellige fra land til land.

ΠΡΟΔΙΑΓΡΑΦΕΣ

Μοντέλο:	CA5000
Διάμετρος λάμας κόπτη αυλακώσεων	118,0 mm
Διάμετρος λάμας δισκοπρίονου	165,0 mm
Μέγιστο βάθος κοπής (με λάμα κόπτη αυλακώσεων)	11,0 mm
Μέγιστο βάθος κοπής (με λάμα δισκοπρίονου)	36,0 mm
Ταχύτητα χωρίς φορτίο	2.200 - 6.400 min ⁻¹
Ολικό μήκος	346 mm
Καθαρό βάρος	4,7 kg
Κατηγορία ασφάλειας	□/II

- Λόγω του συνεχόμενου προγράμματος που εφαρμόζουμε για έρευνα και ανάπτυξη, τα τεχνικά χαρακτηριστικά στο παρόν έντυπο υπόκεινται σε αλλαγή χωρίς προειδοποίηση.
- Τα τεχνικά χαρακτηριστικά μπορεί να διαφέρουν από χώρα σε χώρα.
- Βάρος σύμφωνα με διαδικασία EPTA 01/2014

Σύμβολα

Παρακάτω παρουσιάζονται τα σύμβολα που μπορούν να χρησιμοποιηθούν για τον εξοπλισμό. Βεβαιωθείτε ότι κατανοείτε τη σημασία τους πριν από τη χρήση.



Διαβάστε το εγχειρίδιο οδηγιών.



ΔΙΠΛΗ ΜΟΝΩΣΗ



Φοράτε γυαλιά ασφαλείας.



Λάμα κόπτη αυλακώσεων



Λάμα δισκοπρίονου



Μόνο για τις χώρες της ΕΕ
Μην απορρίπτετε ηλεκτρικό εξοπλισμό μαζί με τα οικιακά απορρίμματα! Σύμφωνα με την Ευρωπαϊκή Οδηγία σχετικά με απόβλητο ηλεκτρικό και ηλεκτρονικό εξοπλισμό και την ενσωμάτωσή της στην εθνική νομοθεσία, ο ηλεκτρικός εξοπλισμός που έχει φτάσει το τέλος ζωής του πρέπει να συλλέγεται ξεχωριστά και να επιστρέφεται σε περιβαλλοντικά συμβατές εγκαταστάσεις ανακύκλωσης.

Προοριζόμενη χρήση

Το εργαλείο αυτό προορίζεται ειδικά για την κοπή αυλακώσεων σε σύνθετες σανίδες που είναι κατασκευασμένες από αλουμίνιο, πλαστικό, πλαστικό με ορυκτές ύλες και παρόμοια υλικά.

Αν το εργαλείο είναι εξοπλισμένο με σωστή λάμα δισκοπρίονου, το εργαλείο μπορεί να χρησιμοποιηθεί για το πρίονισμα ξύλου και αλουμινίου.

Ηλεκτρική παροχή

Το εργαλείο πρέπει να συνδέεται μόνο με ηλεκτρική παροχή της ίδιας τάσης με αυτή που αναγράφεται στην πινακίδα ονομαστικών τιμών και μπορεί να λειτουργήσει μόνο με εναλλασσόμενο μονοφασικό ρεύμα. Υπάρχει διπλή μόνωση και κατά συνέπεια, μπορεί να γίνει σύνδεση σε ακροδέκτες χωρίς σύρμα γείωσης.

Θορύβος

Το τυπικό Α επίπεδο καταμετρημένου θορύβου καθορίζεται σύμφωνα με το EN62841:

Στάθμη ηχητικής πίεσης (L_{pA}): 88 dB (A)

Στάθμη ηχητικής ισχύος (L_{WA}): 99 dB (A)

Αβεβαιότητα (K): 3 dB (A)

ΠΑΡΑΤΗΡΗΣΗ: Η δηλωμένη τιμή(ές) εκπομπής θορύβου έχει μετρηθεί σύμφωνα με την προτυπική μέθοδο δοκιμής και μπορεί να χρησιμοποιηθεί για τη σύγκριση ενός εργαλείου με κάποιο άλλο.

ΠΑΡΑΤΗΡΗΣΗ: Η δηλωμένη τιμή(ές) εκπομπής θορύβου μπορεί να χρησιμοποιηθεί και στην προκαταρκτική αξιολόγηση της έκθεσης.

▲ΠΡΟΕΙΔΟΠΟΙΗΣΗ: Να φοράτε ωτοασπίδες.

▲ΠΡΟΕΙΔΟΠΟΙΗΣΗ: Η εκπομπή θορύβου κατά τη χρήση του ηλεκτρικού εργαλείου σε πραγματικές συνθήκες μπορεί να διαφέρει από τη δηλωμένη τιμή(ές) ανάλογα με τους τρόπους χρήσης του εργαλείου, ιδιαίτερα το είδος του τεμαχίου εργασίας που υπόκειται επεξεργασία.

▲ΠΡΟΕΙΔΟΠΟΙΗΣΗ: Φροντίστε να λάβετε τα κατάλληλα μέτρα προστασίας του χειριστή βάσει ενός υπολογισμού της έκθεσης σε πραγματικές συνθήκες χρήσης (λαμβάνοντας υπόψη όλες τις συνιστώσες του κύκλου λειτουργίας όπως τους χρόνους που το εργαλείο είναι εκτός λειτουργίας και όταν βρίσκεται σε αδρανή λειτουργία πέραν του χρόνου ενεργοποίησης).

Κραδασμός

Η ολική τιμή δόνησης (άθροισμα τρι-αξονικού διανύσματος) καθορίζεται σύμφωνα με το EN62841:

Είδος εργασίας: κοπή αυλακώσεων σε υλικά σύνθετου αλουμινίου

Εκπομπή δόνησης (a_{h1}): 2,5 m/s² ή λιγότερο

Αβεβαιότητα (K): 1,5 m/s²

Είδος εργασίας: κοπή ξύλου

Εκπομπή δόνησης ($a_{h,w}$): 2,5 m/s² ή λιγότερο

Αβεβαιότητα (K): 1,5 m/s²

Είδος εργασίας: κοπή μετάλλου

Εκπομπή δόνησης ($a_{h,m}$): 2,5 m/s² ή λιγότερο

Αβεβαιότητα (K): 1,5 m/s²

ΠΑΡΑΤΗΡΗΣΗ: Η δηλωμένη τιμή(ές) συνολικών κραδασμών έχει μετρηθεί σύμφωνα με την πρότυπη μέθοδο δοκιμής και μπορεί να χρησιμοποιηθεί για τη σύγκριση ενός εργαλείου με κάποιο άλλο.

ΠΑΡΑΤΗΡΗΣΗ: Η δηλωμένη τιμή(ές) συνολικών κραδασμών μπορεί να χρησιμοποιηθεί και στην προκαταρκτική αξιολόγηση της έκθεσης.

▲ΠΡΟΕΙΔΟΠΟΙΗΣΗ: Η εκπομπή κραδασμών κατά τη χρήση του ηλεκτρικού εργαλείου σε πραγματικές συνθήκες μπορεί να διαφέρει από τη δηλωμένη τιμή(ές) εκπομπής ανάλογα με τους τρόπους χρήσης του εργαλείου, ιδιαίτερα το είδος του τεμαχίου εργασίας που υπόκειται επεξεργασία.

▲ΠΡΟΕΙΔΟΠΟΙΗΣΗ: Φροντίστε να λάβετε τα κατάλληλα μέτρα προστασίας του χειριστή βάσει ενός υπολογισμού της έκθεσης σε πραγματικές συνθήκες χρήσης (λαμβάνοντας υπόψη όλες τις συνιστώσες του κύκλου λειτουργίας όπως τους χρόνους που το εργαλείο είναι εκτός λειτουργίας και όταν βρίσκεται σε αδρανή λειτουργία πέραν του χρόνου ενεργοποίησης).

Δήλωση συμμόρφωσης ΕΚ

Μόνο για χώρες της Ευρώπης

Η δήλωση συμμόρφωσης ΕΚ περιλαμβάνεται ως Παράρτημα Α στο παρόν εγχειρίδιο οδηγιών.

Γενικές προειδοποιήσεις ασφαλείας για το ηλεκτρικό εργαλείο

▲ΠΡΟΕΙΔΟΠΟΙΗΣΗ: Διαβάστε όλες τις προειδοποιήσεις ασφαλείας, οδηγίες, εικονογραφησίες και προδιαγραφές που παρέχονται με αυτό το ηλεκτρικό εργαλείο. Η μη τήρηση όλων των οδηγιών που αναγράφονται κατωτέρω μπορεί να καταλήξει σε ηλεκτροπληξία, πυρκαγιά ή/και σοβαρό τραυματισμό.

Φυλάξτε όλες τις προειδοποιήσεις και τις οδηγίες για μελλοντική παραπομπή.

Στις προειδοποιήσεις, ο όρος «ηλεκτρικό εργαλείο» αναφέρεται σε ηλεκτρικό εργαλείο που τροφοδοτείται από την κύρια παροχή ηλεκτρικού ρεύματος (με ηλεκτρικό καλώδιο) ή σε ηλεκτρικό εργαλείο που τροφοδοτείται από μπαταρία (χωρίς ηλεκτρικό καλώδιο).

Προειδοποιήσεις ασφαλείας για το δισκοπρίνο

Διαδικασίες κοπής

- ▲ΚΙΝΔΥΝΟΣ:** Κρατάτε τα χέρια σας μακριά από την περιοχή κοπής και τη λάμα. Κρατάτε το άλλο σας χέρι πάνω στη βοηθητική λαβή, ή στο περίβλημα μοτέρ. Αν κρατάτε το πριόνι και με τα δύο χέρια, δεν είναι δυνατό να κοπουν από τη λάμα.
- Μην απλώνετε τα χέρια σας κάτω από το τεμάχιο εργασίας.** Το προστατευτικό δεν σας παρέχει προστασία από τη λάμα κάτω από το τεμάχιο εργασίας.
- Ρυθμίστε το βάθος κοπής σύμφωνα με το πάχος του τεμαχίου εργασίας.** Λιγότερο από ένα ολόκληρο δόντι από τα δόντια της λάμας πρέπει να φαίνεται κάτω από το τεμάχιο εργασίας.
- Μην κρατάτε ποτέ το τεμάχιο εργασίας στα χέρια σας ή πάνω στο πόδι σας ενώ κόβετε. Ασφαλίστε το τεμάχιο εργασίας σε μια σταθερή πλατφόρμα.** Είναι σημαντικό να στηρίζετε το τεμάχιο εργασίας κατάλληλα για να ελαχιστοποιήσετε την έκθεση του σώματός σας, την εμπλοκή της λάμας ή την απώλεια ελέγχου.

► Εικ.1

- Κρατάτε το ηλεκτρικό εργαλείο από τις μονωμένες επιφάνειες χειρολαβής όταν εκτελείτε μια εργασία κατά την οποία το κοπτικό εργαλείο μπορεί να έρθει σε επαφή με κρυμμένα καλώδια ή με το καλώδιό του.** Αν γίνει επαφή με κάποιο ηλεκτροφόρο καλώδιο, τα εκτεθειμένα μεταλλικά μέρη του ηλεκτρικού εργαλείου θα γίνουν και αυτά ηλεκτροφόρα και μπορεί να προκληθεί ηλεκτροπληξία στο χειριστή.
- Όταν τεμαχίζετε, να χρησιμοποιείτε πάντα οδηγό κομματιού ή άλλο οδηγό με ευθύγραμμη ακμή.** Αυτό βελτιώνει την ακρίβεια της κοπής και μειώνει την πιθανότητα εμπλοκής της λάμας.
- Να χρησιμοποιείτε πάντα λάμες με το σωστό μέγεθος και το σωστό σχήμα (σχήμα διαμαντιού έναντι στρογγυλού σχήματος) όπως στερέωσης.** Οι λάμες που δεν ταιριάζουν με τον εξοπλισμό στερέωσης του πριονιού θα λειτουργούν έκκεντρα, προκαλώντας απώλεια ελέγχου.
- Μη χρησιμοποιείτε ποτέ στη λάμα ροδέλες ή μπουλόνια που είναι κατεστραμμένα ή λανθασμένου μεγέθους.** Οι ροδέλες και μπουλόνια λάμας έχουν σχεδιαστεί ειδικά για το πριόνι σας, για βέλτιστη απόδοση και ασφάλεια λειτουργίας.

Αιτίες κλόσηματος και σχετικές προειδοποιήσεις

- Το κλόσημα είναι μια ξαφνική αντίδραση όταν η λάμα πριονιού είναι αποκομμένη, μπλοκαρισμένη ή ευθυγραμμισμένη λανθασμένα, και προκαλεί την ανεξέλεγκτη ανύψωση του πριονιού έξω από το τεμάχιο εργασίας και προς τη μεριά του χειριστή.
- Όταν η λάμα είναι αποκομμένη ή μπλοκαρισμένη σφίχτα από την εγκοπή, αυτή ακινητοποιείται και η αντίδραση του μοτέρ οδηγεί το εργαλείο με ταχύτητα προς τη μεριά του χειριστή.
- Αν η λάμα παραμορφωθεί ή ευθυγραμμιστεί λανθασμένα κατά την κοπή, τα δόντια στο πίσω μέρος της λάμας μπορεί να σκάψουν μέσα στην άνω επιφάνεια του ξύλου και έτσι η λάμα να βγει από την εγκοπή και να αναπηδήσει προς τη μεριά του χειριστή.

Το κλότσημα προκαλείται όταν το πριόνι χρησιμοποιείται λανθασμένα ή/και όταν οι διαδικασίες ή οι συνθήκες λειτουργίας είναι λανθασμένες. Μπορεί να αποφευχθεί αν ληφθούν οι κατάλληλες προφυλάξεις που αναφέρονται παρακάτω.

1. **Να κρατάτε το πριόνι γερά και με τα δύο χέρια και να τοποθετείτε τους βραχιόνες σας με τρόπο ώστε να αντιστέκονται στη δύναμη του κλοστήματος. Να τοποθετείτε το σώμα σας πλευρικά της λάμας, αλλά όχι στην ίδια ευθεία με τη λάμα.** Το κλότσημα μπορεί να προκαλέσει την αναπήδηση του πριονιού προς τα πίσω, αλλά ο χειριστής μπορεί να ελέγξει το κλότσημα αν λάβει τις κατάλληλες προφυλάξεις.
2. **Όταν εμποδίζεται η κίνηση της λάμας ή όταν διακόπτεται η κοπή για οποιοδήποτε λόγο, αφήστε τη σκανδάλη και κρατήστε ακίνητο το πριόνι μέσα στο υλικό έως ότου ακινητοποιηθεί η λάμα. Μη δοκιμάσετε ποτέ να βγάλετε το πριόνι από το τεμάχιο εργασίας ούτε να το τραβήξετε προς τα πίσω όταν η λάμα κινείται, επειδή μπορεί να κλοστήσει.** Ελέγξτε και πάρτε διορθωτικά μέτρα για να εξαλείψετε την αιτία πιασίματος της λάμας.
3. **Όταν ξεκινάτε ξανά την κοπή ενός τεμαχίου εργασίας, κεντράρετε τη λάμα πριονιού στην εγκοπή με τρόπο ώστε τα δόντια της λάμας να μην έχουν πιαστεί μέσα στο υλικό.** Αν εμποδίζεται μια λάμα πριονιού, το εργαλείο μπορεί να αναπηδήσει από το τεμάχιο εργασίας ή να κλοστήσει όταν το θέσετε ξανά σε λειτουργία.
4. **Πρέπει να στηρίζετε τις μεγάλες πλάκες για να ελαχιστοποιείτε τον κίνδυνο να πιαστεί η λάμα, αλλά και να κλοστήσει.** Μεγάλα τεμάχια τείνουν να λυγίζουν κάτω από το βάρος τους. Πρέπει να τοποθετείτε στηρίγματα κάτω από τις πλάκες, και στις δύο πλευρές, κοντά στη γραμμική κοπή και κοντά στην άκρη της πλάκας.

► Εικ.2

► Εικ.3

5. **Μη χρησιμοποιείτε λάμες αμβλυμένες ή με ζημιές.** Ατρόχιστες λάμες ή ακατάλληλα τοποθετημένες λάμες δημιουργούν στενή τομή προκαλώντας υπερβολική τριβή, πιάσιμο της λάμας και κλότσημα.
6. **Οι μοχλοί ασφάλισης του βάθους λάμας και της ρύθμισης λοξοτομής πρέπει να είναι σφιχτοί και ασφαλισμένοι πριν από την κοπή.** Αν η ρύθμιση λάμας μετακινείται κατά την κοπή, μπορεί να προκληθεί πιάσιμο και κλότσημα.
7. **Δώστε μεγάλη προσοχή όταν πριονίζετε σε υπάρχοντες τοίχους ή άλλες τυφλές περιοχές.** Αν η λάμα προεξέχει, μπορεί να κόψει αντικείμενα που θα προκαλέσουν κλότσημα.
8. **Κρατήστε ΠΑΝΤΑ το εργαλείο σταθερά με τα δύο χέρια. Μην τοποθετείτε ΠΟΤΕ το χέρι, το πόδι ή οποιοδήποτε μέρος του σώματός σας κάτω από τη βάση του εργαλείου ή πίσω από το πριόνι, ειδικά όταν δημιουργείται εγκάρσιες κοπές.** Αν συμβεί κλότσημα, το πριόνι μπορεί εύκολα να πηδήξει προς τα πίσω πάνω από το χέρι σας, οδηγώντας σε σοβαρό προσωπικό τραυματισμό.

► Εικ.4

9. **Ποτέ μην εξαναγκάσετε το πριόνι. Να σπρώχνετε το πριόνι προς τα μπροστά με τέτοια ταχύτητα ώστε η λάμα να κόβει χωρίς να επιβραδύνει.** Αν ζορίζετε το πριόνι μπορεί να προκληθούν ανομοιόμορφες κοπές, απώλεια της ακρίβειας και πιθανώς κλότσημα.

Λειτουργία προστατευτικού

1. **Ελέγξτε ότι κλείνει σωστά το προστατευτικό πριν από κάθε χρήση. Μη θέτετε το πριόνι σε λειτουργία αν το προστατευτικό δεν κινείται ελεύθερα και δεν περικλείει τη λάμα αμέσως. Μη συγκρατείτε και μη δένετε ποτέ το προστατευτικό για να μην εκτεθεί η λάμα.** Αν το πριόνι πέσει κατά λάθος, το προστατευτικό μπορεί να λυγίσει. Ελέγξτε για να βεβαιωθείτε ότι το προστατευτικό κινείται ελεύθερα και δεν ακουμπά τη λάμα ή κάποιο άλλο μέρος, σε όλες τις γωνίες και βάθη κοπής.
2. **Ελέγξτε τη λειτουργία και την κατάσταση του ελατηρίου επιστροφής του προστατευτικού. Αν το προστατευτικό και το ελατήριο δεν λειτουργούν σωστά, πρέπει να συντηρηθούν πριν τη χρήση.** Το προστατευτικό μπορεί να λειτουργεί με αργό ρυθμό αν υπάρχουν κατεστραμμένα μέρη, αποθέματα κόλλας ή συσσωρευση ακαθαρσιών.
3. **Βεβαιωθείτε ότι η πλάκα βάσης του πριονιού δεν θα μετατοπιστεί ενώ πραγματοποιείται «βαθιά κοπή».** Η πλάγια μετατόπιση της λάμας θα προκαλέσει το πιάσιμο της και πιθανώς κλότσημα.
4. **Να παρατηρείτε πάντα ότι το προστατευτικό καλύπτει τη λάμα πριν τοποθετήσετε το πριόνι σε πάγκο ή στο πάτωμα.** Αν η λάμα δεν προστατεύεται και κινείται ελεύθερα, το πριόνι θα κινηθεί προς τα πίσω, κόβοντας ότι βρεθεί στο δρόμο του. Έχετε υπόψη σας το χρόνο που χρειάζεται η λάμα να ακινητοποιηθεί αφότου αφήσετε το διακόπτη.

Πρόσθετες προειδοποιήσεις ασφάλειας

1. **Δώστε μεγάλη προσοχή όταν κόβετε φωπό ξύλο, ξυλεία επεξεργασμένη με πίεση ή ξύλο που περιέχει κόμπους.** Διατηρήστε ομαλή πρόωθηση του εργαλείου χωρίς να μειώνετε την ταχύτητα της λάμας, προκειμένου να αποφύγετε την υπερθέρμανση των άκρων της λάμας και, αν κόβετε πλαστικά, για να αποφύγετε το λιώσιμο του πλαστικού.
2. **Μην επιχειρήσετε να αφαιρέσετε κομμένο υλικό όταν η λάμα κινείται. Περιμένετε μέχρι να σταματήσει η λάμα πριν πιάσετε κομμένο υλικό.** Οι λάμες περιστρέφονται και μετά το σβήσιμο.
3. **Αποφεύγετε την κοπή καρφιών. Ελέγξτε και αφαιρέστε όλα τα καρφιά από την ξυλεία πριν από την κοπή.**
4. **Τοποθετήστε το πλατύτερο τμήμα της βάσης του πριονιού σε εκείνο το τμήμα του τεμαχίου εργασίας που στηρίζεται σταθερά, και όχι στο τμήμα εκείνο που θα πέσει όταν θα γίνει η κοπή. Αν το τεμάχιο εργασίας είναι κοντό ή μικρό, συγκρατήστε το. ΜΗ ΠΡΟΣΠΑΘΕΙΤΕ ΝΑ ΚΡΑΤΑΤΕ ΜΙΚΡΑ ΤΕΜΑΧΙΑ ΜΕ ΤΟ ΧΕΡΙ!**

► Εικ.5

5. Πριν τοποθετήσετε το εργαλείο κάτω μετά το τέλος της κοπής, βεβαιωθείτε ότι έκλεισε το προστατευτικό και ακινητοποιήθηκε τελείως η λάμα.
6. Μη δοκιμάσετε ποτέ να πριονίσετε όταν το δισκοπρίονο είναι στερεωμένο ανάποδα σε μια μέγκεν. Αυτό είναι εξαιρετικά επικίνδυνο και μπορεί να οδηγήσει σε σοβαρά ατυχήματα.

► **Εικ.6**

7. Μερικά υλικά περιέχουν χημικά που μπορεί να είναι τοξικά. Προσέχετε ώστε να αποφεύγετε την εισπνοή σκόνης και την επαφή με το δέρμα. Ακολουθείτε τα δεδομένα ασφάλειας υλικού που παρέχονται από τον προμηθευτή.
8. Μη σταματάτε τις λάμες με πλευρική πίεση στη λάμα πριονιού.
9. Μη χρησιμοποιείτε αποξεστικούς τροχούς.
10. Χρησιμοποιείτε μόνο τη λάμα πριονιού με τη διάμετρο που είναι επισημασμένη στο εργαλείο ή που καθορίζεται στο εγχειρίδιο. Η χρήση μιας λάμας λανθασμένου μεγέθους μπορεί να επηρεάσει τη σωστή προστασία της λάμας ή τη λειτουργία του προστατευτικού, γεγονός που μπορεί να έχει ως αποτέλεσμα σοβαρό προσωπικό τραυματισμό.
11. Κρατάτε τη λάμα κοφτερή και καθαρή. Η κόλλα και τα πριονίσματα ξύλου που έχουν ξεραθεί επάνω στις λάμες επιβραδύνουν το πριόνι και αυξάνουν την πιθανότητα κλοστήματος. Διατηρείτε τη λάμα καθαρή αφού πρώτα τη βγάλετε από το εργαλείο και μετά την καθαρίσετε με καθαριστικό για κόλλα και πριονίσματα, ζεστό νερό ή κηραζίνη. Μη χρησιμοποιήσετε ποτέ βενζίνη.
12. Να φοράτε προσωπίδα κατά της σκόνης και υποασπίδες όταν χρησιμοποιείτε το εργαλείο.
13. Να χρησιμοποιείτε πάντα τη λάμα πριονιού που προορίζεται για την κοπή του υλικού που θα κόψετε.
14. Να χρησιμοποιείτε μόνο λάμες πριονιού που είναι επισημασμένες με ταχύτητα ίση με ή υψηλότερη από την ταχύτητα που είναι επισημασμένη στο εργαλείο.
15. (Για ευρωπαϊκές χώρες μόνο)
Να χρησιμοποιείτε πάντα λάμα που συμμορφώνεται με το πρότυπο EN847-1.

ΦΥΛΑΞΕΤΕ ΑΥΤΕΣ ΤΙΣ ΟΔΗΓΙΕΣ.

▲ΠΡΟΕΙΔΟΠΟΙΗΣΗ: ΜΗΝ επιτρέψετε στην άνεση ή στην εξοικείωσή σας με το προϊόν (που αποκτήθηκε από επανειλημμένη χρήση) να αντικαταστήσει την αυστηρή τήρηση των κανόνων ασφαλείας του παρόντος εργαλείου. Η **ΛΑΝΘΑΣΜΕΝΗ ΧΡΗΣΗ** ή η αμέλεια να ακολουθήσετε τους κανόνες ασφαλείας που διατυπώνονται στο παρόν εγχειρίδιο οδηγιών μπορεί να προκαλέσει σοβαρό προσωπικό τραυματισμό.

ΠΕΡΙΓΡΑΦΗ ΛΕΙΤΟΥΡΓΙΑΣ

▲ΠΡΟΣΟΧΗ: Να βεβαιώνεστε πάντα ότι το εργαλείο είναι σβηστό και αποσυνδεδεμένο από την ηλεκτρική παροχή πριν ρυθμίζετε ή ελέγχετε κάποια λειτουργία του.

Γρήγορος αναστολέας για κοπή αυλάκωσης σε σανίδα πάχους 3, 4 ή 6 mm

Γυρίζοντας τον γρήγορο αναστολέα, μπορείτε να επιλέξετε γρήγορα το κατάλληλο βάθος για την κοπή αυλάκωσης σε σανίδα πάχους 3, 4 ή 6 mm. Ο αριθμός, που φαίνεται από το πλάι της λαβής, υποδεικνύει το πάχος της σανίδας εργασίας.

Για να ρυθμίσετε με ακρίβεια το βάθος της αυλάκωσης, χρησιμοποιήστε το κουμπί ρύθμισης βάθους.

► **Εικ.7:** 1. Γρήγορος αναστολέας 2. Κουμπί ρύθμισης βάθους

Το βάθος 0 mm έχει ρυθμιστεί σωστά κατά την αποστολή του εργαλείου από το εργοστάσιο, αλλά αν αλλάξετε το βάθος της αυλάκωσης ρυθμίζοντας το κουμπί, καθορίστε ξανά το βάθος 0 mm ως εξής:

1. Γυρίστε τον γρήγορο αναστολέα στα 0 mm.
2. Γυρίστε το κουμπί ρύθμισης βάθους για να ρυθμίσετε το βάθος.
3. Βεβαιωθείτε ότι η λάμα δεν έρχεται σε επαφή με το τεμάχιο εργασίας.
4. Να κρατάτε το εργαλείο σταθερά με το ένα χέρι στην μπροστινή λαβή και το άλλο χέρι στην κύρια χειρολαβή. Πατήστε το κουμπί κλειδώματος και ενεργοποιήστε το εργαλείο.
5. Πιέστε αργά και την κεφαλή πριονιού μέχρι τέρμα και ελέγξτε αν η λάμα του κόπτη αυλακώσεων δεν έρχεται σε επαφή αλλά σχεδόν ακουμπά το τεμάχιο εργασίας. Αν όχι, σταματήστε τη λειτουργία του εργαλείου και περιμένετε μέχρι να ακινητοποιηθεί εντελώς η λάμα του κόπτη αυλακώσεων και ρυθμίστε το βάθος γυρίζοντας ξανά το κουμπί ρύθμισης βάθους.

Ρύθμιση του βάθους κοπής

Για να ρυθμίσετε το βάθος κοπής, γυρίστε το κουμπί ρύθμισης βάθους.

Για πιο βαθιά κοπή, γυρίστε το δεξιόστροφα. Για πιο ρηχή κοπή, γυρίστε το αριστερόστροφα.

► **Εικ.8:** 1. Κουμπί ρύθμισης βάθους

Σκόπευση

Το τριγωνικό σημάδι στη βάση υποδεικνύει το κέντρο της λάμας του κόπτη αυλακώσεων.

Όταν χρησιμοποιείτε τη λάμα του κόπτη αυλακώσεων, ευθυγραμμίστε το εξωτερικό τριγωνικό σημάδι με τη γραμμή κοπής.

Όταν χρησιμοποιείτε τη λάμα του δισκοπρίονου (προαιρετικό εξάρτημα), ευθυγραμμίστε το εσωτερικό τριγωνικό σημάδι με τη γραμμή κοπής.

► **Εικ.9:** 1. Βάση 2. Εξωτερικό τριγωνικό σημάδι 3. Εσωτερικό τριγωνικό σημάδι 4. Γραμμή κοπής

Δράση διακόπτη

⚠ ΠΡΟΣΟΧΗ: Πριν από τη σύνδεση του εργαλείου στην ηλεκτρική παροχή, να ελέγχετε πάντα ότι η σκανδάλη διακόπτης ενεργοποιείται σωστά και επιστρέφει στη θέση «OFF» όταν την αφήνετε.

Για να μην πιεστεί κατά λάθος η σκανδάλη διακόπτης, παρέχεται ένα κουμπί κλειδώματος.

Για να ενεργοποιήσετε το εργαλείο, απλά πατήστε το κουμπί κλειδώματος και τραβήξτε τη σκανδάλη διακόπτη. Ελευθερώστε τη σκανδάλη διακόπτη για να σταματήσει.
▶ **Εικ.10:** 1. Κουμπί κλειδώματος 2. Σκανδάλη διακόπτης

Επιλογέας ρύθμισης ταχύτητας

⚠ ΠΡΟΣΟΧΗ: Ο επιλογέας ρύθμισης ταχύτητας δεν προορίζεται για τη χρήση λαμών που προορίζονται για χαμηλή ταχύτητα, αλλά για τη λήψη μιας ταχύτητας που είναι κατάλληλη για το υλικό του τεμαχίου εργασίας. Να χρησιμοποιείτε μόνο λάμες που είναι οι συνιστώμενες τουλάχιστον για τη μέγιστη ταχύτητα χωρίς φορτίο που αναγράφεται στις ΠΡΟΔΙΑΓΡΑΦΕΣ.

⚠ ΠΡΟΣΟΧΗ: Ο επιλογέας ρύθμισης ταχύτητας μπορεί να περιστραφεί μόνο μέχρι το 6 και ξανά στο 1. Μην το εξαναγκάσετε μετά το 6 ή το 1, διαφορετικά η ρύθμιση ταχύτητας δεν θα λειτουργεί.

Αν περιστρέψετε τον επιλογέα ρύθμισης, μπορείτε να ρυθμίσετε την ταχύτητα του εργαλείου. Λαμβάνετε υψηλότερη ταχύτητα όταν περιστρέψετε τον επιλογέα προς την κατεύθυνση του αριθμού 6, ενώ λαμβάνετε χαμηλότερη ταχύτητα όταν περιστρέψετε τον επιλογέα προς την κατεύθυνση του αριθμού 1.

Ανατρέξτε στον πίνακα για να επιλέξετε την κατάλληλη ταχύτητα για το τεμάχιο εργασίας που θα κόψετε. Η κατάλληλη ταχύτητα όμως μπορεί να διαφέρει ανάλογα με τον τύπο ή το πάχος του τεμαχίου εργασίας. Σε γενικές γραμμές, αν χρησιμοποιείτε υψηλότερες ταχύτητες, θα κόβετε τα τεμάχια εργασίας πιο γρήγορα, αλλά θα μειωθεί η διάρκεια λειτουργίας της λάμας.

Αριθμός	min ⁻¹
1	2.200
2	2.700
3	3.800
4	4.900
5	6.000
6	6.400

▶ **Εικ.11:** 1. Επιλογέας ρύθμισης ταχύτητας

Πλάκα οδήγησης

Για την ευθυγράμμιση της ράγας οδήγησης (προαιρετικό εξάρτημα) με τη γραμμή κοπής, χρησιμοποιήστε την πλάκα οδήγησης.

▶ **Εικ.12:** 1. Πλάκα οδήγησης 2. Ακμή πλάκας 3. Γραμμή κοπής

1. Ρυθμίστε την πλάκα οδήγησης στη ράγα οδήγησης κοντά στο σημείο έναρξης της κοπής. Η ακμή πλάκας αντιπροσωπεύει το κέντρο της λάμας του κόπτη αυλακώσεων. Ευθυγραμμίστε την ακμή πλάκας με τη γραμμή κοπής.

2. Μετά, ρυθμίστε ξανά την πλάκα οδήγησης στη ράγα οδήγησης κοντά στο σημείο τέλους της κοπής. Και ευθυγραμμίστε ξανά την ακμή πλάκας με τη γραμμή κοπής.

Άλλα χαρακτηριστικά

Τα εργαλεία που είναι εξοπλισμένα με ηλεκτρονική λειτουργία είναι εύκολα στη χρήση λόγω των ακόλουθων χαρακτηριστικών.

Προστατευτικό υπερφόρτωσης

Όταν το φορτίο στο εργαλείο υπερβαίνει τα επιτρεπτά όρια, μειώνεται η ισχύς στο μοτέρ για να προστατευτεί το μοτέρ από υπερθέρμανση. Όταν το φορτίο επιστρέψει στα επιτρεπτά όρια, το εργαλείο λειτουργεί κανονικά.

Έλεγχος σταθερής ταχύτητας

Ηλεκτρονικός έλεγχος ταχύτητας για επίτευξη σταθερής ταχύτητας. Μπορείτε να έχετε ένα κομψό αποτέλεσμα επειδή η ταχύτητα περιστροφής διατηρείται σταθερή ακόμα και όταν το εργαλείο υποβάλλεται σε φόρτο.

Χαρακτηριστικό ομαλής έναρξης

Ομαλή έναρξη επειδή καταστέλλεται η αιφνίδια έναρξη.

ΣΥΝΑΡΜΟΛΟΓΗΣΗ

⚠ ΠΡΟΣΟΧΗ: Να βεβαιώνετε πάντα ότι το εργαλείο είναι σβηστό και αποσυνδεδεμένο από την ηλεκτρική παροχή πριν εκτελέσετε οποιαδήποτε εργασία σε αυτό.

Φύλαξη εξαγωνικού κλειδιού

Το εξαγωνικό κλειδί βρίσκεται αποθηκευμένο στο εργαλείο. Για να βγάλετε το εξαγωνικό κλειδί, απλώς τραβήξτε το προς τα έξω.

Για να τοποθετήσετε το εξαγωνικό κλειδί, τοποθετήστε το στη λαβή και εισαγάγετέ το μέχρι τέρμα.

▶ **Εικ.13:** 1. Εξαγωνικό κλειδί

Αφαίρεση ή τοποθέτηση της λάμας του κόπτη αυλακώσεων

⚠ ΠΡΟΣΟΧΗ: Μη χρησιμοποιείτε λάμες που δεν συμμορφώνονται με τα χαρακτηριστικά που καθορίζονται σε αυτό το εγχειρίδιο οδηγιών.

⚠ ΠΡΟΣΟΧΗ: Να χρησιμοποιείτε μόνο λάμες που είναι οι συνιστώμενες τουλάχιστον για τη μέγιστη ταχύτητα χωρίς φορτίο που αναγράφεται στις ΠΡΟΔΙΑΓΡΑΦΕΣ.

⚠ ΠΡΟΣΟΧΗ: Βεβαιωθείτε ότι η λάμα είναι τοποθετημένη με τα δόντια στραμμένα προς τα πάνω στο μοτέρσινό μέρος του εργαλείου.

⚠ ΠΡΟΣΟΧΗ: Να χρησιμοποιείτε μόνο το παρεχόμενο κλειδί της Makita για την τοποθέτηση ή την αφαίρεση της λάμας.

Για να αφαιρέσετε τη λάμα του κόπτη αυλακώσεων, εκτελέστε τα ακόλουθα βήματα:

1. Ακουμπήστε κάτω το εργαλείο ενώ το περίβλημα μοτέρ και η βάση ακουμπούν στο πάτωμα. Μετά, εισαγάγετε το εξαγωνικό κλειδί στην εξαγωνική οπή, σπρώξτε το μέσα και ανοίξτε την πόρτα θήκης λάμας γυρίζοντας το εξαγωνικό κλειδί.

► **Εικ.14**

2. Πατήστε πλήρως το κλειδωμα άξονα ώστε να μην περιστρέφεται η λάμα και μετά ξεσφίξτε το εξαγωνικό μπουλόνι αριστερόστροφα με το κλειδί.

► **Εικ.15:** 1. Κλειδωμα άξονα 2. Εξαγωνικό μπουλόνι

3. Αφαιρέστε το εξαγωνικό μπουλόνι, την εξωτερική φλάντζα και τη λάμα.

► **Εικ.16:** 1. Εξαγωνικό μπουλόνι 2. Εξωτερική φλάντζα 3. Λάμα κόπτη αυλακώσεων 4. Εσωτερική φλάντζα

Για να τοποθετήσετε τη λάμα, ακολουθήστε τη διαδικασία αφαίρεσης με αντίστροφη σειρά. **Βεβαιωθείτε να σφίξτε καλά το εξαγωνικό μπουλόνι γυρίζοντάς το δεξιόστροφα.** Και κλείστε την πόρτα θήκης λάμας μετά την τοποθέτηση της λάμας. Όταν αλλάζετε λάμα, βεβαιωθείτε να καθαρίζετε επίσης το προστατευτικό λάμας από συσσωρευμένο πριονίδι και αποκοπίδια όπως συζητήθηκε στην παράγραφο «Συντήρηση». Οι ενέργειες αυτές δεν αντικαθιστούν την ανάγκη να ελέγχετε τη λειτουργία του προστατευτικού πριν από κάθε χρήση.

Χρήση της λάμας δισκοπρίονου

Προαιρετικό εξάρτημα

ΠΑΡΑΤΗΡΗΣΗ: Μην τοποθετείτε το περίβλημα όταν χρησιμοποιείτε λάμα δισκοπρίονου. Διαφορετικά, η λάμα δισκοπρίονου χτυπάει το περίβλημα και προκαλεί ζημιά στο εργαλείο.

Για να τοποθετήσετε τη λάμα δισκοπρίονου (προαιρετικό εξάρτημα), εκτελέστε τα ακόλουθα βήματα:

1. Αφαιρέστε τα δύο μπουλόνια και αφαιρέστε το περίβλημα.

► **Εικ.17:** 1. Περίβλημα

2. Αφαιρέστε τη λάμα του κόπτη αυλακώσεων.

3. Σύρετε τη λάμα δισκοπρίονου μέσα από το άνοιγμα που κάλυπτε το περίβλημα.

4. Τοποθετήστε τη λάμα δισκοπρίονου με τον ίδιο τρόπο όπως τη λάμα του κόπτη αυλακώσεων. Και κλείστε την πόρτα θήκης λάμας μετά την τοποθέτηση της λάμας.

► **Εικ.18:** 1. Εξαγωνικό μπουλόνι 2. Εξωτερική φλάντζα 3. Λάμα δισκοπρίονου 4. Εσωτερική φλάντζα

5. Γυρίστε το κουμπί ρύθμισης βάθους για να ρυθμίσετε το βάθος κοπής.

Οδηγός κομματιού (οδηγός χάρακας)

Προαιρετικό εξάρτημα

▲ΠΡΟΣΟΧΗ: Μην χρησιμοποιείτε τον οδηγό κομματιού με τη λάμα του κόπτη αυλακώσεων. Χρησιμοποιήστε τον οδηγό κομματιού μόνο όταν χρησιμοποιείτε το εργαλείο με τη λάμα δισκοπρίονου (προαιρετικό εξάρτημα).

► **Εικ.19:** 1. Οδηγός κομματιού (οδηγός χάρακας)

Ο πρακτικός οδηγός κομματιού σας επιτρέπει να κάνετε ευθείες κοπές με πολύ μεγάλη ακρίβεια. Απλά ολισθήστε τον οδηγό κομματιού εφαρμοστά επάνω στη πλευρά του τεμαχίου εργασίας και ασφαλίστε τον στην κατάλληλη θέση με τις βίδες στο μπροστινό και πίσω μέρος της βάσης. Επίσης καθιστά δυνατό να εκτελεστούν επαναληπτικές κοπές με ομοιόμορφο πλάτος. Αν ανατρέψετε τον οδηγό κομματιού (οδηγός χάρακας), αυτός λειτουργεί ως βοηθητική βάση για το εργαλείο.

Αναστολέας για βάθος κοπής 2 έως 3 mm όταν χρησιμοποιείται λάμα δισκοπρίονου (προαιρετικό εξάρτημα) και ράγα οδήγησης (προαιρετικό εξάρτημα)

► **Εικ.20:** 1. Αναστολέας 2. Κόκκινο σημάδι

Αυτό το εργαλείο έχει αναστολέα για βάθος κοπής 2 έως 3 mm στο περίβλημα γκρανάζιου δίπλα από την πίσω λαβή όταν χρησιμοποιείται η ράγα οδήγησης.

Η δημιουργία σκληθρας στο τεμάχιο εργασίας μπορεί να αποφευχθεί εάν περάσετε την πρώτη κοπή 2 έως 3 mm και μετά περάσετε τη συνήθη κοπή.

Πρώτα, σπρώξτε τον αναστολέα προς τη λάμα δισκοπρίονου για τη λήψη βάθους κοπής 2 έως 3 mm.

Μετά, τραβήξτε το κουμπί προς τα πίσω για την εκτέλεση μιας κοπής ελεύθερου βάθους.

Βεβαιωθείτε ότι ο αναστολέας έχει αποδεσμευτεί και φαίνεται το κόκκινο σημάδι για τη λειτουργία κοπής αυλάκωσης.

Σύνδεση ηλεκτρικής σκούπας

Για τη λειτουργία κοπής αυλακώσεων, συνδέστε μια ηλεκτρική σκούπα της Makita στο εργαλείο που διαθέτετε.

Συνδέστε τον εύκαμπτο σωλήνα της ηλεκτρικής σκούπας με τη θύρα εξαγωγής σκόνης.

► **Εικ.21:** 1. Ηλεκτρική σκούπα 2. Θύρα εξαγωγής σκόνης

ΛΕΙΤΟΥΡΓΙΑ

▲ΠΡΟΣΟΧΗ: Να χρησιμοποιείτε πάντα την μπροστινή λαβή και την πίσω λαβή και, κατά τη λειτουργία, να κρατάτε το εργαλείο καλά και από την μπροστινή λαβή και από την πίσω λαβή.

Ράγα οδήγησης

Προαιρετικό εξάρτημα

Να χρησιμοποιείτε πάντα τη ράγα οδήγησης για τη λειτουργία κοπής αυλακώσεων.

Τοποθετήστε το εργαλείο στο πίσω μέρος της ράγας οδήγησης.

Περιστρέψτε τις δύο βίδες ρύθμισης στη βάση του εργαλείου για να ολισθαίνει το εργαλείο ομαλά χωρίς κρότο.

► **Εικ.22:** 1. Βίδες ρύθμισης

Κοπή αυλάκωσης

▲ ΠΡΟΣΟΧΗ: Βεβαιωθείτε να μετακινείτε ομαλά το εργαλείο προς τα μπροστά σε ευθεία γραμμή. Αν πιέσετε ή συστρέψετε το εργαλείο, θα έχει ως αποτέλεσμα την υπερθέρμανση του μοτέρ και επικίνδυνο κλότσημα, που πιθανώς να προκαλέσει σοβαρό τραυματισμό.

▲ ΠΡΟΣΟΧΗ: Μην πλησιάζετε ποτέ οποιοδήποτε μέρος του σώματός σας κάτω από τη βάση του εργαλείου όταν κόβετε τομές, ειδικά κατά την εκκίνηση. Αν το κάνετε αυτό, μπορεί να προκληθούν σοβαροί ατομικοί τραυματισμοί. Η λάμα είναι εκτεθειμένη κάτω από τη βάση του εργαλείου.

▲ ΠΡΟΣΟΧΗ: Χρησιμοποιήστε προστασία ματιών για την αποφυγή τραυματισμού.

▲ ΠΡΟΣΟΧΗ: Για τη λειτουργία κοπής αυλακώσεων, να συνδέετε πάντα το εργαλείο με μια ηλεκτρική σκούπα.

▲ ΠΡΟΣΟΧΗ: Κρατάτε το εργαλείο σταθερά. Το εργαλείο παρέχεται με μπροστινή λαβή και με πίσω λαβή. Να χρησιμοποιείτε και τις δύο λαβές για να έχετε καλύτερο κράτημα του εργαλείου. Αν κρατάτε το τριόνι και με τα δύο χέρια, δεν είναι δυνατό να κοπούν από τη λάμα.

► Εικ.23

1. Ρυθμίστε το βάθος κοπής.
2. Τοποθετήστε το εργαλείο στη ράγα οδήγησης.
3. Ευθυγραμμίστε τη ράγα οδήγησης κατά μήκος της γραμμής κοπής με τη βοήθεια της πλάκας οδήγησης. Βεβαιωθείτε ότι η λάμα δεν έρχεται σε επαφή με το τεμάχιο εργασίας.
4. Πατήστε το κουμπί κλειδώματος και ενεργοποιήστε το εργαλείο, και περιμένετε έως ότου η λάμα αποκτήσει την πλήρη ταχύτητά της.
5. Πιέστε το εργαλείο αργά προς τα κάτω μέχρι το προκαθορισμένο βάθος κοπής και απλώς μετακινήστε το εργαλείο προς τα εμπρός πάνω στην επιφάνεια του τεμαχίου εργασίας, κρατώντας το επίπεδο και προωθώντας το ομαλά έως ότου ολοκληρωθεί η κοπή.
6. Όταν ολοκληρωθεί η κοπή, αφήστε το διακόπτη, περιμένετε να ακινητοποιηθεί η λάμα και μετά αποσύρετε το εργαλείο.

Για να πετύχετε καθαρές κοπές, κρατήστε τη γραμμή κοπής ευθεία και την ταχύτητα προώθησης σταθερή. Αν η κοπή δεν ακολουθήσει σωστά την προοριζόμενη γραμμή κοπής, **μην επιχειρήσετε να γυρίσετε ή να πιέσετε το εργαλείο ξανά στη γραμμή κοπής.** Αν το κάνετε αυτό, μπορεί να πιαστεί η λάμα και να προκληθεί επικίνδυνο κλότσημα ή πιθανός σοβαρός τραυματισμός.

Βαθιά κοπή (αποτύπωση)

▲ ΠΡΟΕΙΔΟΠΟΙΗΣΗ: Για την αποφυγή κλοστήματος, βεβαιωθείτε να τηρήσετε τις ακόλουθες οδηγίες.

1. Τοποθετήστε το εργαλείο στη ράγα οδήγησης με το πίσω άκρο της βάσης εργαλείου να ακουμπά επάνω σε σταθερό αναστολέα, ή ισοδύναμο, ο οποίος έχει στερεωθεί στη ράγα οδήγησης.
- **Εικ.24:** 1. Σταθερός αναστολέας

2. Να κρατάτε το εργαλείο σταθερά με το ένα χέρι στην μπροστινή λαβή και το άλλο χέρι στην κύρια χειρολαβή. Πατήστε το κουμπί κλειδώματος και ενεργοποιήστε το εργαλείο, μετά περιμένετε έως ότου η λάμα αποκτήσει την πλήρη ταχύτητά της.
3. Πιέστε το εργαλείο αργά προς τα κάτω μέχρι το προκαθορισμένο βάθος κοπής και μετακινήστε το εργαλείο προς τα εμπρός μέχρι την επιθυμητή θέση έμπτυξης.

ΠΑΡΑΤΗΡΗΣΗ: Το τριγωνικό σημάδι στη θήκη λάμας δείχνει το κέντρο της λάμας, κατά προσέγγιση.

► **Εικ.25:** 1. Τριγωνικό σημάδι

ΣΥΝΤΗΡΗΣΗ

▲ ΠΡΟΣΟΧΗ: Να βεβαιώνετε πάντα ότι το εργαλείο είναι σβηστό και αποσυνδεδεμένο από την ηλεκτρική παροχή πριν εκτελέσετε οποιαδήποτε εργασία επιθεώρησης ή συντήρησης σε αυτό.

▲ ΠΡΟΣΟΧΗ: Καθαρίστε το προστατευτικό για να βεβαιωθείτε ότι δεν υπάρχουν συσσωρευμένα πριονίδια και αποκοκίδια, τα οποία μπορεί να εμποδίσουν τη λειτουργία του συστήματος προστασίας. Ένα βρόμικο σύστημα προστασίας μπορεί να περιορίσει τη σωστή λειτουργία, γεγονός που μπορεί να έχει ως αποτέλεσμα σοβαρό προσωπικό τραυματισμό. Ο πιο αποτελεσματικός τρόπος για να επιτευχθεί αυτός ο καθαρισμός είναι με πεπιεσμένο αέρα. **Αν η σκόνη φυσάται εκτός του προστατευτικού, φροντίστε να χρησιμοποιείται κατάλληλη προστασία για τα μάτια και το αναπνευστικό σύστημα.**

ΕΙΔΟΠΟΙΗΣΗ: Μην χρησιμοποιείτε ποτέ βενζίνη, πετρελαϊκό αιθέρα, διαλυτικό, αλκοόλη ή παρόμοιες ουσίες. Μπορεί να προκληθεί αποχρωματισμός, παραμόρφωση ή ρωγμές.

Αντικατάσταση καρβουνακίων

► **Εικ.26:** 1. Σημάδι ορίου

Να ελέγχετε τα καρβουνάκια τακτικά. Αντικαταστήστε τα όταν φθαρούν μέχρι το σημάδι ορίου. Διατηρείτε τα καρβουνάκια καθαρά και ελεύθερα να γλιστρούν στις θήκες. Και τα δύο καρβουνάκια πρέπει να αντικαθίστανται ταυτόχρονα. Χρησιμοποιείτε μόνο καρβουνάκια ίδιου τύπου.

1. Χρησιμοποιήστε ένα κατσαβίδι για να αφαιρέσετε τα καπάκια των θηκών καρβουνακίων.
2. Αφαιρέστε τα φθαρμένα καρβουνάκια, τοποθετήστε τα καινούρια και ασφαλίστε τα καπάκια των θηκών καρβουνακίων.

► **Εικ.27:** 1. Καπάκι θήκης καρβουνακίου

Για τη διατήρηση της ΑΣΦΑΛΕΙΑΣ και ΑΞΙΟΠΙΣΤΙΑΣ του προϊόντος, οι επισκευές και οποιαδήποτε άλλη εργασία συντήρησης ή ρύθμισης πρέπει να εκτελούνται από εξουσιοδοτημένα ή εργοστασιακά κέντρα εξυπηρέτησης της Makita, χρησιμοποιώντας πάντοτε ανταλλακτικά της Makita.

ΠΡΟΑΙΡΕΤΙΚΑ ΕΞΑΡΤΗΜΑΤΑ

⚠ ΠΡΟΣΟΧΗ: Αυτά τα εξαρτήματα ή προσαρτήματα συνιστώνται για χρήση με το εργαλείο Makita που περιγράφηκε στις οδηγίες αυτές. Η χρήση οποιωνδήποτε άλλων εξαρτημάτων ή προσαρτημάτων μπορεί να προκαλέσει κίνδυνο τραυματισμού σε άτομα. Να χρησιμοποιείτε τα εξαρτήματα ή προσαρτήματα μόνο για την χρήση που προορίζονται.

Εάν χρειάζεστε οποιαδήποτε βοήθεια για περισσότερες πληροφορίες σε σχέση με αυτά τα εξαρτήματα, απευθύνεστε στο τοπικό σας κέντρο εξυπηρέτησης Makita.

- Ράγα οδήγησης
- Λάμα κόπτη αυλακώσεων 90°
- Λάμα κόπτη αυλακώσεων 135°
- Πλάκα οδήγησης
- Λάμα δισκοπρίονου
- Οδηγός κομματιού (Οδηγός χάρακας)
- Σφιγκτήρας
- Εξαγωνικό κλειδί
- Σύνολο λαμαρινών για ράγα οδήγησης
- Σύνολο ελαστικών λαμαρινών για ράγα οδήγησης
- Λαμαρίνα τοποθέτησης για ράγα οδήγησης
- Σετ οδηγού λοξοτομής

ΠΑΡΑΤΗΡΗΣΗ: Μερικά στοιχεία στη λίστα μπορεί να συμπεριλαμβάνονται στη συσκευασία εργαλείου ως στάνταρ εξαρτήματα. Μπορεί να διαφέρουν ανάλογα με τη χώρα.

TEKNİK ÖZELLİKLER

Model:	CA5000
Oluk açma bıçağı çapı	118,0 mm
Dairesel testere bıçağı çapı	165,0 mm
Maks. kesim derinliği (oluk açma bıçağı ile)	11,0 mm
Maks. kesim derinliği (dairesele testere bıçağı ile)	36,0 mm
Yüksüz hız	2.200 - 6.400 min ⁻¹
Toplam uzunluk	346 mm
Net ağırlık	4,7 kg
Emniyet sınıfı	□/II

- Sürekli yapılan araştırma ve geliştirmelerden dolayı, burada belirtilen özellikler önceden bildirilmeksizin değiştirilebilir.
- Özellikler ülkeden ülkeye değişebilir.
- EPTA-Prosedürü 01/2014 uyarınca ağırlık

Semboller

Ekipmanı için kullanılabilecek semboller aşağıda gösterilmiştir. Kullanmadan önce anlamlarını anladığınızdan emin olun.



Kullanma kılavuzunu okuyun.



ÇİFT YALITIMLI



Güvenlik gözlüğü takın.



Oluk açma bıçağı



Dairesel testere bıçağı



Sadece AB ülkeleri için
Elektrik donanımını evsel atıklarla birlikte bertaraf etmeyiniz! Kullanılmış elektrikli cihazları, Elektrikli ve Elektronik Cihaz Atıkları Hakkındaki Avrupa Yönergesine göre ve bu yönergeler ulusal hukuk kurallarına göre uyarlanarak, ayrı olarak toplanmalı ve çevre şartlarına uygun bir şekilde tekrar değerlendirilmeye gönderilmelidir.

Kullanım amacı

Bu alet alüminyum, plastik, mineral içerikli plastikten imal edilmiş kompozit levhalar ve benzeri malzemelerde oluk açmak amacıyla özel olarak tasarlanmıştır. Alet doğru dairesele testere bıçağıyla donatılmışsa, ahşap ve alüminyum kesmek için kullanılabilir.

Güç kaynağı

Aletin, yalnızca isim levhasında belirtilenle aynı voltajlı güç kaynağına bağlanması gerekir ve yalnızca tek fazlı AC güç kaynağıyla çalıştırılabilir. Çifte yalıtımlıdır ve topraklamasız prizlerle de kullanılabilir.

Gürültü

Tipik A-ağırlıklı gürültü düzeyi (EN62841 standardına göre belirlenen):
Ses basınç seviyesi (L_{PA}): 88 dB (A)
Ses gücü düzeyi (L_{WA}): 99 dB (A)
Belirsizlik (K): 3 dB (A)

NOT: Beyan edilen gürültü emisyonu değer(ler)i bir standart test yöntemine uygun şekilde ölçülmüştür ve bir aleti bir başkasıyla karşılaştırmak için kullanılabilir.

NOT: Beyan edilen gürültü emisyonu değer(ler)i bir ön maruz kalma değerlendirmesi olarak da kullanılabilir.

UYARI: Kulak koruyucuları takın.

UYARI: Elektrikli aletin gerçek kullanımı sırasındaki gürültü emisyonu, aletin kullanım biçimlerine, özellikle işlenen iş parçasının türüne bağlı olarak beyan edilen değer(ler)den farklı olabilir.

UYARI: Gerçek kullanım koşullarındaki tahmini maruziyeti baz alan, operatörü koruyacak güvenlik önlemlerini mutlaka belirleyin (çalışma döngüsü içerisinde aletin kapalı olduğu ve aktif durumda olmasının yanı sıra boşta çalıştığı zamanlar gibi, bütün zaman dilimleri göz önünde bulundurarak).

Titreşim

Titreşim toplam değeri (üç eksenli vektör toplamı) (EN62841 standardına göre hesaplanan):
Çalışma modu: alüminyum kompozit malzemede oluk açma
Titreşim emisyonu (a_{h1}): 2,5 m/s²'den az
Belirsizlik (K): 1,5 m/s²
Çalışma modu: ahşap kesme
Titreşim emisyonu (a_{hW}): 2,5 m/s²'den az
Belirsizlik (K): 1,5 m/s²
Çalışma modu: metal kesme
Titreşim emisyonu (a_{hM}): 2,5 m/s²'den az
Belirsizlik (K): 1,5 m/s²

NOT: Beyan edilen titreşim toplam değer(ler)i bir standart test yöntemine uygun şekilde ölçülmüştür ve bir aleti bir başkasıyla karşılaştırmak için kullanılabilir.

NOT: Beyan edilen titreşim toplam değer(ler)i bir ön maruz kalma değerlendirmesi olarak da kullanılabilir.

UYARI: Elektrikli aletin gerçek kullanım sırasındaki titreşim emisyonu, aletin kullanım biçimlerine, özellikle işlenen iş parçasının türüne bağlı olarak beyan edilen değer(ler)den farklı olabilir.

UYARI: Gerçek kullanım koşullarındaki tahmini maruziyeti baz alan, operatörü koruyacak güvenlik önlemlerini mutlaka belirleyin (çalışma döngüsü içerisinde aletin kapalı olduğu ve aktif durumda olmasının yanı sıra boşta çalıştığı zamanlar gibi, bütün zaman dilimleri göz önünde bulundurarak).

EC Uygunluk Beyanı

Sadece Avrupa ülkeleri için

EC uygunluk beyanı bu kullanım kılavuzuna Ek A olarak eklenmiştir.

Genel elektrikli alet güvenliği uyarıları

UYARI: Bu elektrikli aletle birlikte sunulan tüm güvenlik uyarılarını, talimatları, çizimleri ve teknik özellikleri okuyun. Aşağıda verilen talimatlara uyulmaması elektrik şoku, yangın ve/veya ciddi yaralanmalar ile sonuçlanabilir.

Tüm uyarıları ve talimatları ile-ride başarmak için saklayın.

Uyarılardaki "elektrikli alet" terimi ile ya prizden çalışan (kordonlu) elektrikli aletinize ya da kendi aküsü ile çalışan (kordonsuz) elektrikli aletinizin kastedilmektedir.

Dairesel testere güvenlik uyarıları

Kesim prosedürleri

- TEHLİKE:** Ellerinizi kesme alanından ve bıçaktan uzak tutun. Diğer elinizi yardımcı tutamak veya motor mahfazası üstünde tutun. Her iki el de testereyi tutarsa, bıçaklar tarafından kesilemez.
- İş parçasının altına uzanmayın.** Siper iş parçasının altında sizi bıçaktan koruyamaz.

- Kesme derinliğini iş parçasının kalınlığına göre ayarlayın.** İş parçasının altında bıçak dişlerinin bir tam dişinden daha azı görülmelidir.
- Kesim sırasında iş parçasını asla elinizle ya da bacaklarınızla tutmayın. İş parçasını sabit bir platforma oturtun.** Bedensel zarar gelmesini, bıçağın iş parçasına saplanması ve kontrolün kaybedilmesini önlemek için yapılan işi uygun şekilde desteklemek oldukça önemlidir.
- Şek.1**
- Kesici aletin görünmeyen kabloları ya da aletin kendi kordonuna temas etme olasılığı bulunan yerlerde çalışırken elektrikli aletleri yalıtımlı kavrama yüzeylerinden tutun.** "Akımlı" bir telle temas da elektrikli aletin yalıtımsız metal kısımlarını "akımlı" hale getirir ve kullanıcıyı elektrik şokuna maruz bırakabilir.
- Bıçme yaparken daima bir bıçki kenarlığı veya düz kenar kılavuzu kullanın.** Bu daha hassas bir kesim sağlar ve bıçağın sıkışması riskini azaltır.
- Her zaman doğru mil delik şekline (elmas ya da yuvarlak) ve boyutuna sahip bıçaklar kullanın.** Testerenin montaj donanımına uymayan bıçaklar eksenden çıkar ve kontrolün kaybedilmesine neden olur.
- Asla hasarlı ya da yanlış bıçak rondelalarını veya civatasını kullanmayın.** Bıçak rondelaları ve civatası testereniz için, optimum performans ve çalışma güvenliğini sağlamak amacıyla özel olarak tasarlanmıştır.

Geri tepme nedenleri ve ilgili uyarılar

- geri tepme, sıkışan, takılan ya da yanlış hizalanan testere bıçağına karşı gösterilen ani bir tepkidir ve kontrol edilemeyen testerenin iş parçasından çıkıp operatöre doğru yukarı kalkmasına neden olur;
- kesik kapanarak bıçağın takılmasına ya da sıkışmasına neden olduğunda bıçak durur ve motorun tepkisi sonucu ünite hızlı bir şekilde kullanıcıya doğru geri tepir;
- Eğer bıçak kesik içinde bükülür veya yanlış hizalanırsa, bıçağın arka kenarındaki dişler ahşabın üst yüzeyine batarak, kertik dışına tırmanır, operatöre doğru geri zıplamasına neden olabilir.

Geri tepme testerenin yanlış kullanılmasının ve/veya yanlış kullanım usulleri veya koşullarının bir sonucudur ve aşağıda verildiği gibi doğru önlemlerle önlenebilir.

- Testereyi iki elinizle sıkıca kavramayı sürdürün ve kollarınızı geri tepme kuvvetlerine karşı koyacak bir konumda tutun.** Vücutunuzu bıçak ile aynı hatta değil, bıçağın herhangi bir yanında tutun. Geri tepme testerenin geriye sıçramasına neden olabilir ama geri tepme kuvvetleri, eğer uygun önlemler alınır, operatör tarafından kontrol edilebilir.
- Bıçak takıldığı veya herhangi bir nedenle kesmeyi durdurduğu zaman, tetiği serbest bırakın ve testereyi bıçak tamamen duruncaya kadar malzeme içinde hareketsiz olarak tutun.** Bıçak hareket halindeyken asla testereyi işten çıkarmaya veya geriye çekmeye çalışmayın, aksi takdirde geri tepme meydana gelebilir. Bıçağın takılma nedenini araştırın, ortadan kaldırmak için düzeltici işlemleri yapın.
- Testereyi iş parçasının içinde yeniden başlatırken, testere bıçağını kesişe ortalarak testere dişlerinin malzemenin içine girmemiş olduğundan emin olun.** Testere bıçağı takılırsa, testere yeniden başlatıldığında yukarı kalkabilir ya da geri tepebilir.

4. **Bıçağın sıkışması ve geri tepmesi riskini en aza indirmek için büyük panelleri destekleyin.** Büyük paneller kendi ağırlıkları altında bel vermeye meyillidirler. Destekler, kesme hattına ve panelin kenarına yakın olarak, panelin her iki tarafının altına yerleştirilmelidirler.

► Şek.2

► Şek.3

5. **Kör veya hasarlı bıçakları kullanmayın.** Keskin olmayan veya yanlış ayarlanmış bıçaklar dar kerelikler açarak, aşırı sürtünmeye, bıçak takılmasına ve geri tepmeye neden olurlar.
6. **Kesme yapmadan önce bıçak derinliği ve şev ayarı kilitleme levheleri sıkılı ve sabitlenmiş olmalıdır.** Eğer bıçak ayarı kesme sırasında kayarsa, takılmaya ve geri tepmeye neden olabilir.
7. **Mevcut duvarların veya diğer kör alanların içine biçme yaparken daha fazla dikkat gösterin.** Çıkmızı yapan bıçak geri tepmeye neden olacak cisimleri kesebilir.
8. **Aleti DAİMA her iki elinizle sıkıca tutun.** Özellikle enine kesim yaparken elinizi, bacağıınızı ve vücudunuzun hiçbir kısmını ASLA alet tabanının altına ya da testerenin arkasına koymayın. Geri tepme olursa, testere kolayca geriye elinizin üstüne sıçrayarak ciddi yaralanmalara neden olabilir.

► Şek.4

9. **Testereyi asla zorlamayın.** Testereyi bıçağın yavaşlamadan keseceği bir hızda ileri doğru itin. Testereyi zorlamak düzgün olmayan kesmelere, hassaslık kaybına ve olası geri tepmeye neden olabilir.

Siper işlevi

1. **Her kullanımdan önce siperin doğru kapandığını kontrol edin.** Siper serbest hareket etmiyor ve bıçağı hemen kapatmıyorsa testereyi kullanmayın. Siperi bıçak açıktayken asla sıkıştırmayın veya bağlamayın. Testere kazayla düşürülürse, siper eğilebilir. Her açıda ve kesme derinliğinde, siperin serbest hareket ettiğinden ve bıçağı veya başka bir parçaya değmediğinden emin olun.
2. **Siper dönüş yayının işleyişini ve durumunu kontrol edin.** Eğer siper ve yay düzgün çalışmıyorsa, kullanmadan önce servise onarılmalıdır. Siper hasarlı parçalar, zank kalıntılar veya kir birikmesi nedeniyle ağır çalışabilir.
3. **“Daldırmalı kesim” yaparken testerenin kaide plakasının kaymayacağından emin olun.** Yanlara doğru kayan bıçak takılmaya ve muhtemelen geri tepmeye neden olur.
4. **Testereyi tezgahın veya zeminin üzerine koymadan önce siperin bıçağı kapandığını daima kontrol edin.** Korunmayan, boşta dönen bir bıçak testerenin, yolu üzerinde ne varsa keserek, geriye doğru yürütmesine neden olur. Anahtar serbest bırakıldıktan sonra bıçağın durmasının ne kadar zaman aldığını bilin.

Ek güvenlik uyarıları

1. **Islak ahşap, basınç işlemi görmüş kereste veya budak içeren ahşap keserken çok dikkatli olun.** Bıçak uçlarının aşırı ısınmasını engellemek ve plastik malzeme kesiliyorsa plastiğin erimesini önlemek için bıçak hızını düşürmeden aletin düz bir şekilde ilerlemesini sağlayın.

2. **Bıçak hareket halindeyken kesilen malzemeyi çıkarmaya çalışmayın.** Kesilen materyale ellemeden önce bıçağın durmasını bekleyin. Kapatıldıktan sonra bıçaklar bir müddet boşta hareket edebilir.
3. **Çivileri kesmekten kaçının.** Kesmeden önce tahtadaki tüm çivileri bulun ve çıkarın.
4. **Kesme yaparken, testere tabanının daha geniş bölümünü iş parçasının düşecek kısmının değil altı sağlam şekilde desteklenen kısmının üstüne yerleştirin.** İş parçası kısa ya da küçükse, mengeneyle sıkıştırın. **KISA PARÇALARI ELLE TUTMAYA ÇALIŞMAYIN!**

► Şek.5

5. **Bir kesimi gerçekleştirdikten sonra aleti bırakırken, siperin kapalı olduğundan ve bıçağın tam olarak durduğundan emin olun.**
6. **Daire testereyi mengeneyle baş aşağı tutarak kesme yapmaya asla çalışmayın.** Bu son derecede tehlikelidir ve ciddi kazalara yol açabilir.

► Şek.6

7. **Bazı malzemeler zehirli olabilen kimyasallar içerirler.** Toz yutmayı ve cilt temasını önlemek için tedbir alın. Malzeme sağlayıcısının güvenlik bilgilerine uyun.
8. **Bıçakları testere bıçağına yanal basınç uygulayarak durdurmayın.**
9. **Aşındırıcı diskleri kullanmayın.**
10. **Sadece alet üzerine basılmış olan ya da kılavuzda belirtilmiş olan çapta bir testere bıçağı kullanın.** Yanlış boyuttaki bir bıçağın kullanılması bıçağı karşı doğru bir şekilde siperle koruma yapılmasını veya siperin işleyişini etkileyebilir, bu da ciddi kişisel yaralanmalara neden olabilir.
11. **Bıçağı keskin ve temiz tutun.** Bıçakların üzerinde sertleşen sakız veya zank, testereyi yavaşlatır ve geri tepme riskini artırır. Bıçağı önce aletten çıkarıp ardından sakız ve zank çözücü bir madde, sıcak su veya gaz yağı ile temizleyin. Asla benzin kullanmayın.
12. **Bu aleti kullanırken bir toz maskesi ve kulak koruması takın.**
13. **Her zaman keseceğiniz malzeme için tasarlanmış testere bıçağını kullanın.**
14. **Sadece hızı alet üzerinde işaretli olan hıza eşit ya da ondan daha yüksek olan testere bıçaklarını kullanın.**
15. **(Yalnızca Avrupa ülkeleri için)** Her zaman EN847-1 standartına uygun bir bıçak kullanın.

BU TALİMATLARI MUHAFAZA EDİNİZ.

▲UYARI: Ürünü kullanırken (defalarca kullanınca kazanılan) rahatlık ve tanıdıklık duygusunun ilgili ürünün güvenlik kurallarına sıkı sıkıya bağlı kalmanızı yerine geçmesini İZİN VERMEYİN. YANLIŞ KULLANIM veya bu kılavuzda belirtilen emniyet kurallarına uymama ciddi yaralanmaya neden olabilir.

İŞLEVSEL NİTELİKLER

⚠ DİKKAT: Alet üzerinde ayarlama ya da işleyiş kontrolü yapmadan önce aletin kapalı ve fişinin çekili olduğundan daima emin olun.

3, 4 veya 6 mm kalınlıktaki levhalarda oluk açma için hızlı durma

Hızlı durdurma parçasını çevirerek; 3, 4 veya 6 mm kalınlıktaki levhalar için uygun oluk açma derinliğini hızlı bir şekilde seçebilirsiniz. Kol tarafında görülen sayı, iş parçasının levha kalınlığını belirtir. Oluk derinliğinin ince ayarı için, derinlik ayar topuzunu kullanın.

► **Şek.7:** 1. Hızlı durdurma 2. Derinlik ayar topuzu

Alet fabrikadan gönderildiğinde, doğru bir şekilde 0 mm derinliğe ayarlanmıştır, fakat oluk derinliğini ayar topuzuyla değiştirdiyse, 0 mm'lik derinlik ince ayarını şu şekilde yapabilirsiniz:

1. Hızlı durdurma parçasını 0 mm'ye çevirin.
2. Derinliği ayarlamak için derinlik ayar topuzunu çevirin.
3. Bıçağın iş parçası ile temas etmediğinden emin olun.
4. Aleti daima bir eliniz ön sapın üzerinde, diğer eliniz de alet kolunun üzerinde olacak şekilde sıkıca tutun. Güvenlik kilidi düğmesini itin ve aleti çalıştırın.
5. Testere başını yavaşça tamamen aşağı doğru bastırın ve oluk açma bıçağının iş parçasına temas etmeden neredeyse dokunacak kadar yaklaşmış yakınlaşmadığını kontrol edin. Yakınlaşmıyorsa, aleti durdurun ve oluk açma bıçağı tamamen durana kadar bekleyin ve derinlik ayar topuzunu tekrar döndürerek derinliği ayarlayın.

Kesme derinliğinin ayarı

Kesim derinliğini ayarlamak için, derinlik ayar topuzunu çevirin. Daha derin kesimler için saat yönünde çevirin. Daha sığ kesimler için, saatin aksi yönde çevirin.

► **Şek.8:** 1. Derinlik ayar topuzu

Nişanlama

Taban üzerindeki üçgen işareti, oluk açma bıçağının merkezini gösterir. Oluk açma bıçağını kullanırken, dış taraftaki üçgen işaretini kesme hattı ile hizalayın. Dairesel testere bıçağını kullanırken (isteğe bağlı aksesuar), iç taraftaki üçgen işaretini kesme hattı ile hizalayın.

► **Şek.9:** 1. Taban 2. Dış taraftaki üçgen işareti 3. İç taraftaki üçgen işareti 4. Kesme hattı

Anahtar işlemi

⚠ DİKKAT: Aleti fişe takmadan önce anahtar tetiğinin doğru çalıştığından ve bırakıldığında "OFF" (kapalı) konumuna döndüğünden emin olun.

Anahtar tetiğinin yanlışlıkla çekilmesini önlemek için, bir güvenlik kilidi düğmesi sağlanmıştır. Aleti çalıştırmak için, güvenlik kilidi düğmesini içeri itin ve anahtar tetiği çekin. Durdurmak için anahtar tetiği serbest bırakın.

► **Şek.10:** 1. Güvenlik kilidi düğmesi 2. Anahtar tetik

Hız ayar kadranı

⚠ DİKKAT: Hız ayar kadranı düşük hızlı bıçakları kullanmak için değil, iş parçasının malzemesine uygun bir hız elde edilmesi için tasarlanmıştır. Sadece, en azından, TEKNİK ÖZELLİKLER'de belirtilen maksimum yüksüz hıza uygun olan bıçakları kullanın.

⚠ DİKKAT: Hız ayar kadranı ancak 1 ila 6 arasındaki numaralara ayarlanabilir. 6 veya 1 numaranın ötesine ayar yapmaya çalışmayın, aksi halde kadran bozulabilir.

Aletin hızı ayar kadranı döndürülerek ayarlanabilir. Kadran 6 yönüne çevrildiğinde yüksek hız elde edilir; kadran 1 yönüne çevrildiğinde düşük hız elde edilir. Kesilecek iş parçasına uygun hızı seçmek için tabloya bakın. Ancak, uygun hız iş parçasının türüne veya kalınlığına göre farklılık gösterebilir. Genel olarak, daha yüksek hızlar iş parçalarını daha hızlı kesmenizi sağlar ama bıçağın hizmet ömrünü kısaltır.

Rakam	min ⁻¹
1	2.200
2	2.700
3	3.800
4	4.900
5	6.000
6	6.400

► **Şek.11:** 1. Hız ayar kadranı

Kılavuz levha

Kılavuz rayı (isteğe bağlı aksesuar) kesme hattı ile hizalamak için, kılavuz levhayı kullanın.

► **Şek.12:** 1. Kılavuz levha 2. Levha kenarı 3. Kesme hattı

1. Kılavuz levhasını, kesimin başlangıç noktasının yakınında kılavuz ray üzerinde ayarlayın. Levha kenarı, oluk açma bıçağının merkezini gösterir. Levha kenarını kesme hattıyla hizalayın.
2. Ardından kılavuz levhayı kesimin bitiş noktasının yakınında kılavuz ray üzerinde yeniden ayarlayın. Ardından levha kenarını kesme hattıyla yeniden hizalayın.

Diğer özellikler

Elektronik işlevli aletlerin kullanımını aşağıda belirtilen özellikler nedeniyle daha kolaydır.

Aşırı yük koruması

Alet üzerine binen yük kabul edilebilir seviyeleri aştığında, motoru aşırı ısınmadan korumak için motora verilen güç azaltılır. Yük, kabul edilebilir seviyelere geri döndüğünde alet normal bir şekilde çalışmaya devam eder.

Sabit hız kontrolü

Sabit bir hız elde etmek için elektronik hız kontrolü. Yüklü koşulda bile dönme hızı sabit kaldığı için iyi bir finiş elde etmek mümkün olur.

Yumuşak başlatma özelliği

Başlatma sırasında oluşan sarsıntının engellenmesi sayesinde yumuşak başlatma.

MONTAJ

⚠ DİKKAT: Alet üzerinde herhangi bir iş yapmadan önce aletin kapalı ve fişinin çekili olduğundan daima emin olun.

Altıgen anahtarın saklanması

Altıgen anahtar alet üzerinde saklanır. Altıgen anahtarı çıkarmak için, sadece çekip çıkarın. Altıgen anahtarı takmak için, kolun üzerine yerleştirip içinde gidebildiği son noktaya kadar itin.

► **Şek.13:** 1. Altıgen anahtar

Oluk açma bıçağının takılması ve çıkarılması

⚠ DİKKAT: Bu talimatlardaki özelliklere uymayan bıçakları kullanmayın.

⚠ DİKKAT: Sadece, en azından, **TEKNİK ÖZELLİKLER**'de belirtilen maksimum yüksüz hızı uygun olan bıçakları kullanın.

⚠ DİKKAT: Bıçağın, dişleri aletin ön tarafında yukarıya doğru bakacak şekilde takıldığından emin olun.

⚠ DİKKAT: Bıçağı takmak veya çıkarmak için sadece Makita anahtarını kullanın.

Oluk açma bıçağını çıkarmak için, aşağıdaki adımları gerçekleştirin:

1. Aleti, motor yuvası ve alet tabanı yere değecek şekilde yere yatırın. Altıgen anahtarı altıgen deliğe sokun, içeri doğru itin ve altıgen anahtarı çevirerek bıçak mahfazası kapağını açın.

► **Şek.14**

2. Şaft kilidine tamamen basarak bıçağın dönmemesini sağlayın ve ardından anahtarla saat yönünün tersine döndürerek altıgen civatayı gevşetin.

► **Şek.15:** 1. Şaft kilidi 2. Altıgen civata

3. Sonra altıgen civatayı, dıştaki flanşı ve bıçağı çıkartın.

► **Şek.16:** 1. Altıgen civata 2. Dış flanş 3. Oluk açma bıçağı 4. İç flanş

Bıçağı takmak için, çıkarma işlemlerini tersine uygulayın. **Altıgen civatayı saat yönünde iyice sıktığınızdan emin olun.** Ve bıçağı taktıktan sonra bıçak mahfazası kapağını kapatın.

Bıçak değiştirirken, siperdeki birikmiş tozları ve talaşları Bakım bölümünde anlatıldığı gibi temizlemeyi de unutmayın. Ancak bu işlem siperin çalışmasını her kullanımdan önce kontrol etme gereğini ortadan kaldırmaz.

Dairesel testere bıçağı

İsteğe bağlı aksesuar

NOT: Dairesel testere bıçağını kullanırken eteği monte etmeyin. Aksi takdirde dairesele testere bıçağı eteğe çarpar ve alete zarar verir.

Dairesel testere bıçağını (isteğe bağlı aksesuar) takmak için, aşağıdaki adımları gerçekleştirin:

1. İki civatayı sökün ve eteği çıkarın.

► **Şek.17:** 1. Etek

2. Oluk açma bıçağını çıkarın.

3. Dairesel testere bıçağını, eteğin kapattığı açıklıktan içeri doğru kaydırın.

4. Dairesel testere bıçağını, oluk açma bıçağı ile aynı şekilde takın. Ve bıçağı taktıktan sonra bıçak mahfazası kapağını kapatın.

► **Şek.18:** 1. Altıgen civata 2. Dış flanş 3. Dairesel testere bıçağı 4. İç flanş

5. Derinlik ayar topuzunu çevirerek kesim derinliğini ayarlayın.

Biçme sınırlayıcısı (kılavuz cetvel)

İsteğe bağlı aksesuar

⚠ DİKKAT: Biçme sınırlayıcısını oluk açma bıçağıyla birlikte kullanmayın. Biçme sınırlayıcısını sadece aleti dairesele kesim bıçağıyla (isteğe bağlı aksesuar) kullanırken kullanın.

► **Şek.19:** 1. Biçme sınırlayıcısı (kılavuz cetvel)

Kullanışlı biçme sınırlayıcısı ekstra düzgün düz kesmeler yapmanıza olanak verir. Biçme sınırlayıcısını kaydırarak iş parçasının kenarına dayayın ve tabanın ön ve arka kısmındaki vidalar ile yerine sabitleyin. Biçme sınırlayıcısı aynı genişlikte tekrarlanan kesimler yapılmasına da olanak verir.

Biçme sınırlayıcısını (kılavuz cetvel) çok fazla çevirmek alet için bir alt taban görevi görür.

Dairesel testere bıçağı kullanılırken 2 ila 3 mm'lik derinlik kesimleri için durdurucu (isteğe bağlı aksesuar) ve kılavuz rayı (isteğe bağlı aksesuar)

► **Şek.20:** 1. Durdurucu 2. Kırmızı işaret

Bu alette kılavuz ray kullanırken arka tutamağın yanında vida yuvası üzerinde 2 ila 3 mm kesim derinliği için durdurucu vardır.

İş parçasının üzerinde kıymıklar oluşması 2 ila 3 mm'lik bir ön kesim ve ardından normal kesim yapılarak önlenbilir.

Önce, durdurucuyu 2 ila 3 mm'lik bir kesim derinliği elde etmek için dairesele testere bıçağına doğru itin.

Ardından serbest kesim derinliği için düğmeyi geri çekin.

Oluk açma işlemine başlamak için, durdurucunun serbest bırakıldığından ve kırmızı işaretin görülebildiğinden emin olun.

Bir elektrikli süpürge bağlama

Oluk açma işlemi için, aletinize bir Makita elektrikli süpürge bağlayın.

Elektrikli süpürge'nin hortumunu toz ağzına bağlayın.

► **Şek.21:** 1. Elektrikli süpürge 2. Toz ağzı

KULLANIM

⚠ DİKKAT: Her zaman ön kavrama kolunu ve arka tutamağı kullanın ve işlem sırasında aleti hem ön kavrama kolu hem de arka tutamak ile sıkıca tutun.

Kılavuz rayı

İsteğe bağlı aksesuar

Oluk açma işlem için kılavuz rayı daima kullanın. Aleti kılavuz rayın arka ucuna yerleştirin. Alet tabanı üzerindeki iki ayar vidasını çevirin, böylece alet takırty yapmadan yumuşak bir şekilde kayar. ► **Şek.22:** 1. Ayar vidaları

Oluk açma

⚠ DİKKAT: Aleti düz bir çizgi üzerinde hafifçe ileri hareket ettirdiğinizden emin olun. Aleti zorlama veya döndürme motorun aşını ısınması ve ciddi yaralanmalara neden olabilecek şekilde tehlikeli tepme sonucunu doğurabilir.

⚠ DİKKAT: Özellikle başlangıçta, vücudunuz hiçbir kısmını alet tabanının altına koymayın. Aksi takdirde ciddi yaralanmalar meydana gelebilir. Bıçak, alet tabanında açık bir şekilde saklanın.

⚠ DİKKAT: Yaralanmayı önlemek için göz koruması kullanın.

⚠ DİKKAT: Oluk açma işlemi için, aletinizi mutlaka bir elektrikli süpürgeye bağlayın.

⚠ DİKKAT: Aleti sıkı tutun. Bu alette hem ön kavrama kolu, hem de arka tutamak vardır. En iyi kavrama için her ikisini de kullanın. Her iki el de testereyi tutarsa, bıçaklar tarafından kesilemez.

► Şek.23

1. Kesme derinliğini ayarlayın.
2. Aleti kılavuz rayın üzerinde ayarlayın.
3. Kılavuz levhasını kullanarak, kılavuz rayını kesme hattıyla hizalayın. Bıçağın iş parçası ile temas etmediğinden emin olun.
4. Güvenlik kilidi düğmesini ittirin ve aleti çalıştırın, bıçağın tam hıza ulaşmasını bekleyin.
5. Aleti yavaşça aşağı doğru, önceden ayarlanan kesim derinliğine kadar bastırın, ve şimdi aleti iş parçasının yüzeyinde düz tutarak kesme işlemi tamamlanmaya kadar düzgünce ileri doğru hareket ettirin.
6. Kesim tamamlandığında, anahtarı serbest bırakın, bıçağın durmasını bekleyin ve sonra aleti geri çekin. Kesmenin temiz olması için, düz bir kesme hattı üstünde aynı hızla ilerleyin. Eğer alet istediğiniz kesme hattından saparsa, kesme hattına geri getirmek için aleti döndürmeyin ya da zorlamayın. Bunu yapmak bıçağı sıkıştırıp tehlikeli tepmeye ve ciddi yaralanmaya yol açabilir.

Dalmalı tip kesme (Biçme)

⚠ UYARI: Geri tepmeyi önlemek için aşağıdaki talimatlara mutlaka uyun.

1. Aleti, alet tabanının arka kenarı sabit bir durma noktasında ya da kılavuz rayına tutturulmuş eşdeğer bir noktaya sabitlenecek şekilde kılavuz rayına yerleştirin. ► **Şek.24:** 1. Sabit durma noktası
2. Aleti daima bir eliniz ön sapın üzerinde, diğer eliniz de alet kolunun üzerinde olacak şekilde sıkıca tutun. Güvenlik kilidi düğmesini ittirin ve aleti çalıştırın, ve ardından bıçağın tam hıza ulaşmasını bekleyin.
3. Testere başını yavaşça aşağı doğru, önceden ayarlanan kesim derinliğine kadar, bastırın ve ardından aleti ileri doğru istenen dalma konumuna taşıyın.

NOT: Bıçak kılıfının üzerindeki üçgen işareti, bıçağın merkezini yaklaşık olarak gösterir.

► **Şek.25:** 1. Üçgen işareti

BAKIM

⚠ DİKKAT: Muayene ya da bakım yapmadan önce aletin kapalı ve fişinin çekili olduğundan daima emin olun.

⚠ DİKKAT: Siper sisteminin işleyişini engelleyebilecek birikmiş toz ve talaş olmadığından emin olmak için siperi iyice temizleyin. Kirlı bir siper sistemi, ciddi kişisel yaralanmayla sonuçlanabilecek şekilde, doğru işleyişi sınırlandırabilir. Bu temizliği gerçekleştirirken en etkili yolu basınçlı hava kullanmaktır. Siperden toz çıkışı varsa, uygun bir göz koruma ve nefes koruma kullandığınızdan emin olun.

ÖNEMLİ NOT: Benzin, tiner, alkol ve benzeri maddeleri kesinlikle kullanmayın. Renk değişimi, deformasyon veya çatlaklar oluşabilir.

Karbon fırçaların değiştirilmesi

► **Şek.26:** 1. Sınır işareti

Karbon fırçaları düzenli olarak kontrol edin. Sınır işaretine kadar yıprandıkları zaman değiştirin. Karbon fırçaların temiz ve yuvaları içinde serbestçe kayar durumda kalmalarını sağlayın. Her iki karbon fırça aynı zamanda değiştirilmelidir. Sadece birbirinin aynısı olan karbon fırçaları kullanın.

1. Fırça tutucu kapaklarını çıkarmak için bir tornavida kullanın.
2. Aşınmış karbon fırçalarını çıkarıp yenilerini takın ve fırça tutucu kapaklarını sabitleyin. ► **Şek.27:** 1. Fırça tutucu kapağı

Aleti EMNİYETLİ ve ÇALIŞMAYA HAZIR durumda tutmak için onarımlar, başka her türlü bakım ve ayarlamalar daima Makita yedek parçaları kullanılarak Makita yetkili servis merkezleri veya Fabrikanın Servis Merkezleri tarafından yapılmalıdır.

İSTEĞE BAĞLI AKSESUARLAR

⚠ DİKKAT: Bu aksesuarlar ve ek parçalar bu el kitabında belirtilen Makita aletiniz ile kullanılmak için tavsiye edilmektedir. Herhangi başka bir aksesuar ya da ek parça kullanılması insanlar için bir yaralanma riski getirebilir. Aksesuarları ya da ek parçaları yalnızca belirtilmiş olan kullanım amaçlarına uygun olarak kullanın.

Bu aksesuarlarla ilgili daha fazla bilgiye ihtiyaç duyarsanız bulunduğunuz yerdeki yetkili Makita servisine başvurun.

- Kılavuz rayı
- 90° oluk açma bıçağı
- 135° oluk açma bıçağı
- Kılavuz levha
- Dairesel testere bıçağı
- Biçme sınırlayıcısı (Kılavuz cetvel)
- Klemp
- Altıgen anahtar
- Kılavuz rayı için saç takımı
- Kılavuz rayı için ayarlanmış kauçuk saç
- Kılavuz rayı için konum sacı
- Şev kılavuzu seti

NOT: Listedeki parçaların bazıları alet paketi içerisinde standart aksesuar olarak dahil edilmiş olabilir. Bunlar ülkeden ülkeye farklılık gösterebilir.

Makita Europe N.V. Jan-Baptist Vinkstraat 2,
3070 Kortenberg, Belgium

Makita Corporation 3-11-8, Sumiyoshi-cho,
Anjo, Aichi 446-8502 Japan

www.makita.com

885435E991
EN, FR, DE, IT, NL,
ES, PT, DA, EL, TR
20200331