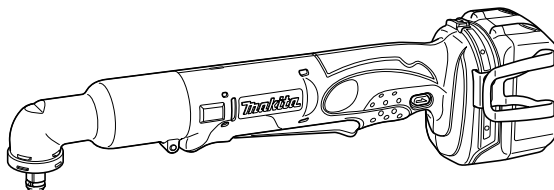




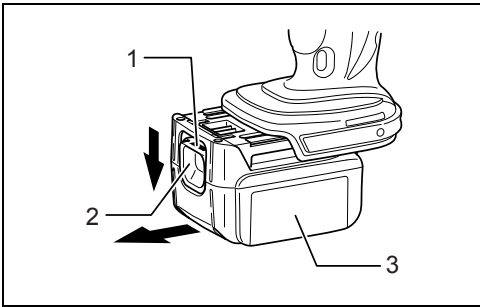
GB	Cordless Angle Impact Wrench Instruction manual
F	Outil d'entraînement à impact angulaire sans fil Manuel d'instructions
D	Akku-Winkelschlagschrauber Betriebsanleitung
I	Avvitatrice angolare ad impulsi a batteria Istruzioni per l'uso
NL	Haakse accuslagdopsleutel Gebruiksaanwijzing
E	Llave de impacto angular sin cables Manual de instrucciones
P	Chave de percussão para cantos sem fios Manual de instruções
DK	Ledningsfri vinkelslagskruenøgle Brugsanvisning
GR	Γωνιακό παλμικό κλειδί μπαταρίας Οδηγίες χρήσης

DTL062
DTL063



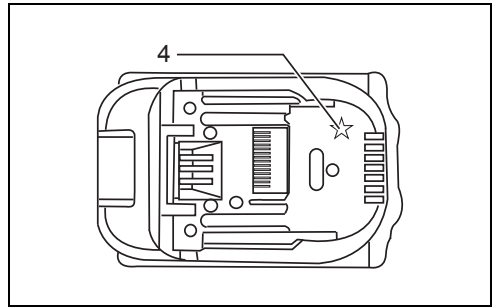
008503





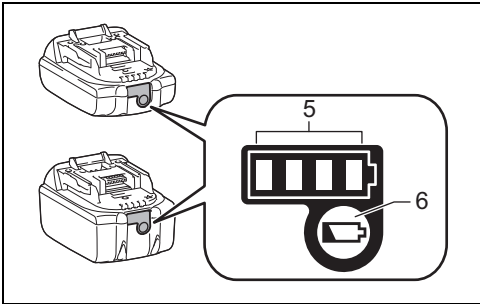
1

012122



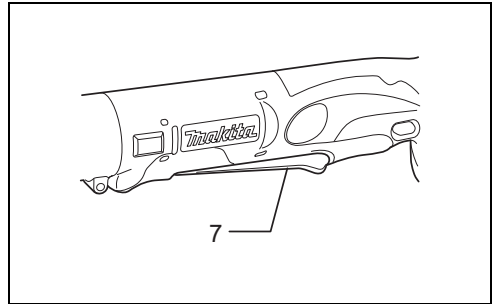
2

012128



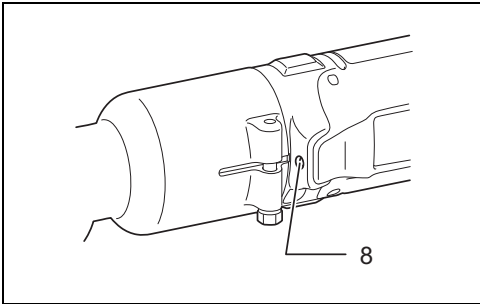
3

015659



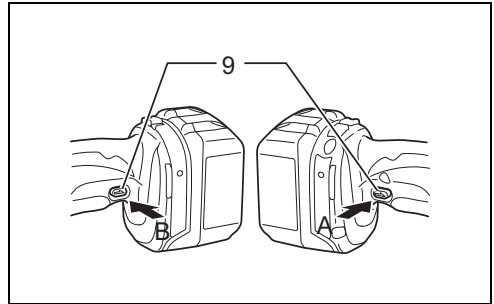
4

008330



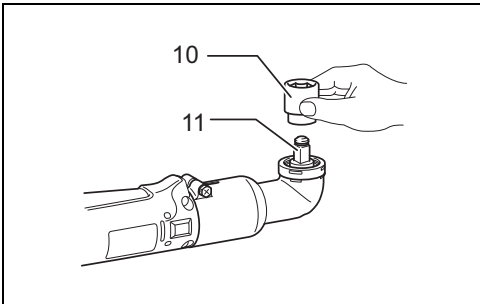
5

008498



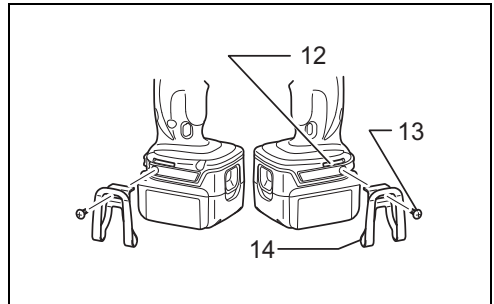
6

008331



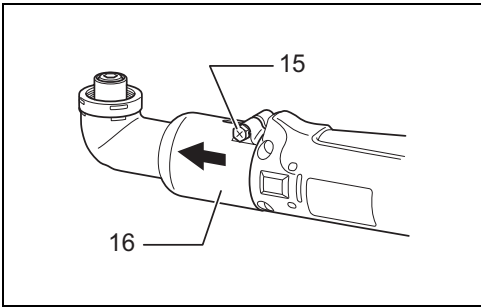
7

008496



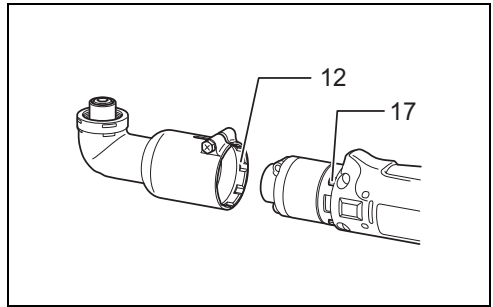
8

008338



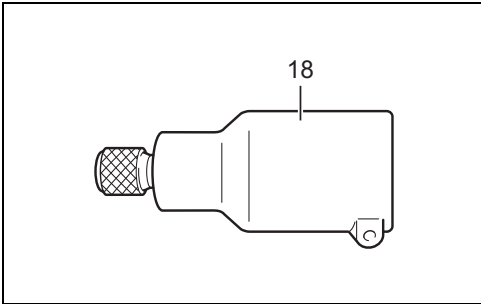
9

008335



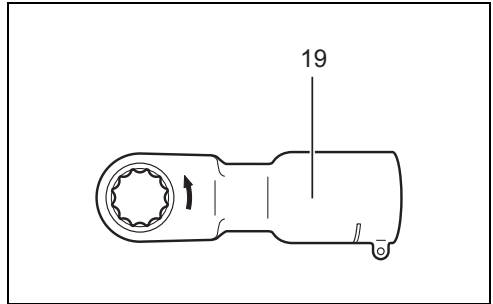
10

008336



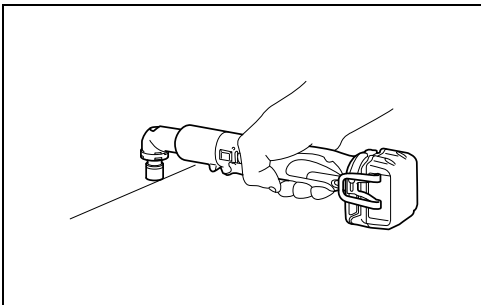
11

002828



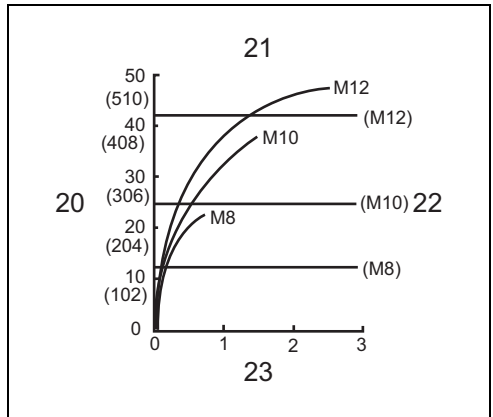
12

002829



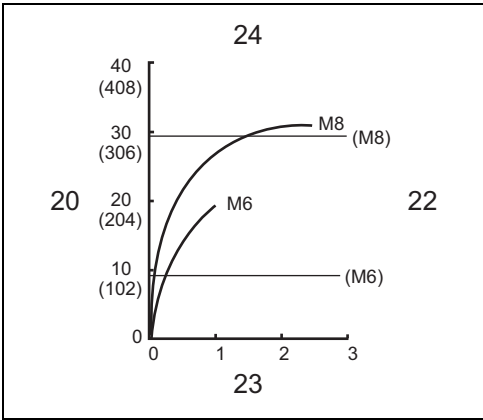
13

008497



14

008500



15

008499

ENGLISH (Original instructions)

Explanation of general view

- | | | |
|----------------------|---------------------------|-----------------------------|
| 1. Red indicator | 9. Reversing switch lever | 17. Tooth |
| 2. Button | 10. Socket | 18. Straight head |
| 3. Battery cartridge | 11. Anvil | 19. Ratchet head |
| 4. Star marking | 12. Groove | 20. Standard bolt |
| 5. Indicator lamps | 13. Screw | 21. Fastening torque |
| 6. Check button | 14. Hook | 22. Proper fastening torque |
| 7. Switch lever | 15. Hex bolt | 23. Fastening time (S) |
| 8. Lamp | 16. Angle head | 24. High tensile bolt |

SPECIFICATIONS

Model		DTL062	DTL063
Capacities	Standard bolt	M4 - M12	
	High tensile bolt	M4 - M8	
Square drive		9.5 mm	
No load speed (min ⁻¹)		0 - 2,000	
Impacts per minute		0 - 3,000	
Max. fastening torque		60 N•m	
Overall length		387 mm	
Net weight		1.4 - 1.8 kg	1.4 - 2.0 kg
Rated voltage		D.C. 14.4 V	D.C. 18 V

- Due to our continuing program of research and development, the specifications herein are subject to change without notice.
- Specifications may differ from country to country.
- The weight may differ depending on the attachment(s), including the battery cartridge. The lightest and heaviest combination, according to EPTA-Procedure 01/2014, are shown in the table.

Applicable battery cartridge and charger

Battery cartridge	D.C. 14.4 V Model	BL1415N/BL1430/BL1430B/BL1440/BL1450/BL1460B
	D.C. 18 V Model	BL1815N/BL1820/BL1820B/BL1830/BL1830B/BL1840/BL1840B/BL1850/BL1850B/BL1860B
Charger	DC18RC/DC18RD/DC18RE/DC18SD/DC18SE/DC18SF	

- Some of the battery cartridges and chargers listed above may not be available depending on your region of residence.

WARNING:

- **Only use the battery cartridges and chargers listed above.** Use of any other battery cartridges and chargers may cause injury and/or fire.


Intended use

The tool is intended for screw driving in wood, metal and plastic.

ENE033-1

General power tool safety warnings

GEA010-2

 **WARNING: Read all safety warnings, instructions, illustrations and specifications provided with this power tool.** Failure to follow all instructions listed below may result in electric shock, fire and/or serious injury.

Save all warnings and instructions for future reference.

The term “power tool” in the warnings refers to your mains-operated (corded) power tool or battery-operated (cordless) power tool.

CORDLESS IMPACT WRENCH SAFETY WARNINGS

GEB138-1

1. **Hold the power tool by insulated gripping surfaces, when performing an operation where the fastener may contact hidden wiring.** Fasteners contacting a “live” wire may make exposed metal parts

of the power tool "live" and could give the operator an electric shock.

2. **Wear ear protectors.**
3. **Check the impact socket carefully for wear, cracks or damage before installation.**
4. **Hold the tool firmly.**
5. **Keep hands away from rotating parts.**
6. **Always be sure you have a firm footing. Be sure no one is below when using the tool in high locations.**
7. **The proper fastening torque may differ depending upon the kind or size of the bolt. Check the torque with a torque wrench.**

SAVE THESE INSTRUCTIONS.

⚠ WARNING: DO NOT let comfort or familiarity with product (gained from repeated use) replace strict adherence to safety rules for the subject product. **MISUSE** or failure to follow the safety rules stated in this instruction manual may cause serious personal injury.

IMPORTANT SAFETY INSTRUCTIONS FOR BATTERY CARTRIDGE

ENC007-12

1. **Before using battery cartridge, read all instructions and cautionary markings on (1) battery charger, (2) battery, and (3) product using battery.**
2. **Do not disassemble battery cartridge.**
3. **If operating time has become excessively shorter, stop operating immediately. It may result in a risk of overheating, possible burns and even an explosion.**
4. **If electrolyte gets into your eyes, rinse them out with clear water and seek medical attention right away. It may result in loss of your eyesight.**
5. **Do not short the battery cartridge:**
 - (1) **Do not touch the terminals with any conductive material.**
 - (2) **Avoid storing battery cartridge in a container with other metal objects such as nails, coins, etc.**
 - (3) **Do not expose battery cartridge to water or rain.**

A battery short can cause a large current flow, overheating, possible burns and even a breakdown.

6. **Do not store the tool and battery cartridge in locations where the temperature may reach or exceed 50°C (122°F).**
7. **Do not incinerate the battery cartridge even if it is severely damaged or is completely worn out. The battery cartridge can explode in a fire.**
8. **Be careful not to drop or strike battery.**
9. **Do not use a damaged battery.**
10. **The contained lithium-ion batteries are subject to the Dangerous Goods Legislation requirements.**
For commercial transports e.g. by third parties, forwarding agents, special requirement on packaging and labeling must be observed.

For preparation of the item being shipped, consulting an expert for hazardous material is required. Please also observe possibly more detailed national regulations.

Tape or mask off open contacts and pack up the battery in such a manner that it cannot move around in the packaging.

11. **Follow your local regulations relating to disposal of battery.**
12. **Use the batteries only with the products specified by Makita.** Installing the batteries to non-compliant products may result in a fire, excessive heat, explosion, or leak of electrolyte.

SAVE THESE INSTRUCTIONS.

⚠ CAUTION: Only use genuine Makita batteries. Use of non-genuine Makita batteries, or batteries that have been altered, may result in the battery bursting causing fires, personal injury and damage. It will also void the Makita warranty for the Makita tool and charger.

Tips for maintaining maximum battery life

1. **Charge the battery cartridge before completely discharged.**
Always stop tool operation and charge the battery cartridge when you notice less tool power.
2. **Never recharge a fully charged battery cartridge. Overcharging shortens the battery service life.**
3. **Charge the battery cartridge with room temperature at 10°C - 40°C (50°F - 104°F). Let a hot battery cartridge cool down before charging it.**
4. **Charge the battery cartridge if you do not use it for a long period (more than six months).**

FUNCTIONAL DESCRIPTION

CAUTION:

- Always be sure that the tool is switched off and the battery cartridge is removed before adjusting or checking function on the tool.

Installing or removing battery cartridge (Fig. 1)

- Always switch off the tool before installing or removing of the battery cartridge.
- To remove the battery cartridge, slide it from the tool while sliding the button on the front of the cartridge.
- To install the battery cartridge, align the tongue on the battery cartridge with the groove in the housing and slip it into place. Always insert it all the way until it locks in place with a little click. If you can see the red indicator on the upper side of the button, it is not locked completely. Install it fully until the red indicator cannot be seen. If not, it may accidentally fall out of the tool, causing injury to you or someone around you.
- Do not use force when installing the battery cartridge. If the cartridge does not slide in easily, it is not being inserted correctly.

Battery protection system (Lithium-ion battery with star marking) (Fig. 2)

Lithium-ion batteries with a star marking are equipped with a protection system. This system automatically cuts off power to the tool to extend battery life.












The tool will automatically stop during operation if the tool and/or battery are placed under one of the following conditions:

- **Overloaded:**
The tool is operated in a manner that causes it to draw an abnormally high current.
In this situation, release the trigger switch on the tool and stop the application that caused the tool to become overloaded. Then pull the trigger switch again to restart.
If the tool does not start, the battery is overheated. In this situation, let the battery cool before pulling the trigger switch again.
- **Low battery voltage:**
The remaining battery capacity is too low and the tool will not operate. In this situation, remove and recharge the battery.

Indicating the remaining battery capacity

Only for battery cartridges with the indicator (Fig. 3)

Press the check button on the battery cartridge to indicate the remaining battery capacity. The indicator lamps light up for a few seconds.

Indicator lamps			Remaining capacity
 Lighted	 Off	 Blinking	
			75% to 100%
			50% to 75%
			25% to 50%
			0% to 25%
			Charge the battery.
			The battery may have malfunctioned.

NOTE:

- Depending on the conditions of use and the ambient temperature, the indication may differ slightly from the actual capacity.

Switch action

CAUTION:

- Before inserting the battery cartridge into the tool, always check to see that the switch lever actuates properly and returns to the "OFF" position when released. (Fig. 4)

To start the tool, simply pull the switch lever. Tool speed is increased by increasing pressure on the switch lever. Release the switch lever to stop.

Lighting up the front lamp

CAUTION:

- Do not look in the light or see the source of light directly. (Fig. 5)

Pull the switch lever to light up the lamp. The lamp keeps on lighting while the switch lever is being pulled. The light automatically goes out 10 - 15 seconds after the switch lever is released.

NOTE:

- Use a dry cloth to wipe the dirt off the lens of lamp. Be careful not to scratch the lens of lamp, or it may lower the illumination.

Reversing switch action (Fig. 6)

This tool has a reversing switch to change the direction of rotation. Depress the reversing switch lever from the A side for clockwise rotation or from the B side for counterclockwise rotation.

When the reversing switch lever is in the neutral position, the switch lever cannot be pulled.

CAUTION:

- Always check the direction of rotation before operation.
- Use the reversing switch only after the tool comes to a complete stop. Changing the direction of rotation before the tool stops may damage the tool.
- When not operating the tool, always set the reversing switch lever to the neutral position.

ASSEMBLY

CAUTION:

- Always be sure that the tool is switched off and the battery cartridge is removed before carrying out any work on the tool.

Selecting correct socket

Always use the correct size socket for bolts and nuts. An incorrect size socket will result in inaccurate and inconsistent fastening torque and/or damage to the bolt or nut.

Installing or removing socket (Fig. 7)

To install the socket, push it onto the anvil of the tool until it locks into place.

To remove the socket, simply pull it off.

Hook (Accessory)

CAUTION:

- When installing the hook, tighten the screw firmly. Failure to do so may cause the breakage of the tool or personal injury. (Fig. 8)

The hook is convenient for temporarily hanging the tool. This can be installed on either side of the tool.

To install the hook, insert it into a groove in the tool housing on either side and then secure it with a screw.

To remove, loosen the screw and then take it out.

Adjusting the angle head

The angle head can be adjusted 360° (8 positions in 45-degree increments). To adjust it, loosen the hex bolt and remove the angle head.

Adjust the angle head to the desired position and reinstall it so that the teeth on the housing will match up with the grooves in the angle head. Then tighten the hex bolt to secure the angle head. (Fig. 9 & 10)

Straight head and ratchet head (Accessory)

Straight heads and ratchet heads are available as optional accessories for various applications on the job. (Fig. 11 & 12)

OPERATION

CAUTION:

- Always insert the battery cartridge all the way until it locks in place. If you can see the red part on the upper side of the button, it is not locked completely. Insert it fully until the red part cannot be seen. If not, it may accidentally fall out of the tool, causing injury to you or someone around you.

Hold the tool firmly and place the socket over the bolt or nut. Turn the tool on and fasten for the proper fastening time. (Fig. 13)

The proper fastening torque may differ depending upon the kind or size of the bolt, the material of the workpiece to be fastened, etc. The relation between fastening torque and fastening time is shown in the figures. (Fig. 14 & 15)

NOTE:

- Hold the tool pointed straight at the bolt or nut.
- Excessive fastening torque may damage the bolt/nut or socket. Before starting your job, always perform a test operation to determine the proper fastening time for your bolt or nut.

- If the tool is operated continuously until the battery cartridge has discharged, allow the tool to rest for 15 minutes before proceeding with a fresh battery.

The fastening torque is affected by a wide variety of factors including the following. After fastening, always check the torque with a torque wrench.

- When the battery cartridge is discharged almost completely, voltage will drop and the fastening torque will be reduced.
- Driver bit or socket bit
 - Failure to use the correct size driver bit or socket bit will cause a reduction in the fastening torque.
 - A worn socket (wear on the hex end or square end) will cause a reduction in the fastening torque.
- Bolt
 - Even though the torque coefficient and the class of bolt are the same, the proper fastening torque will differ according to the diameter of bolt.
 - Even though the diameters of bolts are the same, the proper fastening torque will differ according to the torque coefficient, the class of bolt and the bolt length.
- The use of the universal joint or the extension bar somewhat reduces the fastening force of the impact wrench. Compensate by fastening for a longer period of time.
- The manner of holding the tool or the material of driving position to be fastened will affect the torque.
- Operating the tool at low speed will cause a reduction in the fastening torque.

MAINTENANCE

CAUTION:

- Always be sure that the tool is switched off and the battery cartridge is removed before attempting to perform inspection or maintenance.
 - Never use gasoline, benzine, thinner, alcohol or the like. Discoloration, deformation or cracks may result.
- To maintain product SAFETY and RELIABILITY, repairs, any other maintenance or adjustment should be performed by Makita Authorized Service Centers, always using Makita replacement parts.

OPTIONAL ACCESSORIES

⚠ CAUTION:

- These accessories or attachments are recommended for use with your Makita tool specified in this manual. The use of any other accessories or attachments might present a risk of injury to persons. Only use accessory or attachment for its stated purpose.

If you need any assistance for more details regarding these accessories, ask your local Makita Service Center.

- Sockets
- Extension bar
- Universal joint
- Bit adapter
- Various type of Makita genuine batteries and chargers

NOTE:

- Some items in the list may be included in the tool package as standard accessories. They may differ from country to country.

Noise

ENG905-1

The typical A-weighted noise level determined according to EN62841:

Sound pressure level (L_{pA}): 88 dB (A)

Sound power level (L_{WA}): 99 dB (A)

Uncertainty (K): 3 dB (A)

ENG907-1

- The declared noise emission value(s) has been measured in accordance with a standard test method and may be used for comparing one tool with another.
- The declared noise emission value(s) may also be used in a preliminary assessment of exposure.

⚠ WARNING:

- Wear ear protection.**
- The noise emission during actual use of the power tool can differ from the declared value(s) depending on the ways in which the tool is used especially what kind of workpiece is processed.**
- Be sure to identify safety measures to protect the operator that are based on an estimation of exposure in the actual conditions of use (taking account of all parts of the operating cycle such as the times when the tool is switched off and when it is running idle in addition to the trigger time).**

Vibration

ENG900-1

The vibration total value (tri-axial vector sum) determined according to EN62841:

Model DTL062

Work mode: impact tightening of fasteners of the maximum capacity of the tool

Vibration emission (a_h): 14.5 m/s²

Uncertainty (K): 2.0 m/s²

Model DTL063

Work mode: impact tightening of fasteners of the maximum capacity of the tool

Vibration emission (a_h): 16.5 m/s²

Uncertainty (K): 2.0 m/s²

ENG901-2

- The declared vibration total value(s) has been measured in accordance with a standard test method and may be used for comparing one tool with another.
- The declared vibration total value(s) may also be used in a preliminary assessment of exposure.

WARNING:

- **The vibration emission during actual use of the power tool can differ from the declared value(s) depending on the ways in which the tool is used especially what kind of workpiece is processed.**
- **Be sure to identify safety measures to protect the operator that are based on an estimation of exposure in the actual conditions of use (taking account of all parts of the operating cycle such as the times when the tool is switched off and when it is running idle in addition to the trigger time).**

EC Declaration of Conformity

For European countries only

The EC declaration of conformity is included as Annex A to this instruction manual.

FRANÇAIS (Instructions d'origine)

Descriptif

1. Voyant rouge	10. Embout	19. Tête de rochet
2. Bouton	11. Enclume	20. Boulon hexagonal
3. Batterie	12. Rainure	21. Couple de serrage
4. Étoile	13. Vis	22. Couple de serrage approprié
5. Voyants	14. Crochet	23. Délai de fixation (S)
6. Bouton de vérification	15. Boulon hexagonal	24. Boulon à haute résistance à la traction
7. Levier de l'interrupteur	16. Tête d'angle	
8. Lampe	17. Dent	
9. Levier de l'inverseur	18. Tête droite	

SPÉCIFICATIONS

Modèle		DTL062	DTL063
Capacités	Boulon hexagonal	M4 - M12	
	Boulon à haute résistance à la traction	M4 - M8	
Carré conducteur		9,5 mm	
Vitesse à vide (min ⁻¹)		0 - 2 000	
Impacts par minute		0 - 3 000	
Couple de serrage maxi.		60 N•m	
Longueur totale		387 mm	
Poids net		1,4 - 1,8 kg	1,4 - 2,0 kg
Tension nominale		14,4 V C.C.	18 V C.C.

- Étant donné l'évolution constante de notre programme de recherche et de développement, les spécifications contenues dans ce manuel sont sujettes à des modifications sans préavis.
- Les spécifications peuvent varier suivant les pays.
- Le poids peut varier en fonction des pièces complémentaires, notamment de la batterie. La combinaison la plus légère et la combinaison la plus lourde, selon la procédure EPTA du 01/2014, sont présentées dans le tableau.

Batterie standard et chargeur applicables

Batterie	C.C. 14,4 V Modèle	BL1415N/BL1430/BL1430B/BL1440/BL1450/BL1460B
	C.C. 18 V Modèle	BL1815N/BL1820/BL1820B/BL1830/BL1830B/BL1840/BL1840B/BL1850/BL1850B/BL1860B
Chargeur		DC18RC/DC18RD/DC18RE/DC18SD/DC18SE/DC18SF

- Certains types de batterie et de chargeurs répertoriés ci-dessus peuvent ne pas être disponibles en fonction de votre région ou lieu de résidence.

AVERTISSEMENT :

- **Utilisez uniquement les batteries et chargeurs indiqués ci-dessus.** L'utilisation de toute autre batterie ou d'un autre chargeur peut provoquer des blessures et/ou déclencher un incendie.

Utilisations

ENE033-1

L'outil est conçu pour le vissage dans le bois, le métal et le plastique.

Consignes de sécurité générales pour outils électriques

GEA010-2

- ⚠ **AVERTISSEMENT : Veuillez lire les consignes de sécurité, instructions, illustrations et spécifications qui accompagnent cet outil électrique.** Le non-respect de toutes les instructions indiquées ci-dessous peut entraîner une électrocution, un incendie et/ou de graves blessures.

Conservez toutes les mises en garde et instructions pour référence ultérieure.

Le terme « outil électrique » dans les avertissements fait référence à l'outil électrique alimenté par le secteur (avec cordon d'alimentation) ou à l'outil électrique fonctionnant sur batterie (sans cordon d'alimentation).

CONSIGNES DE SÉCURITÉ POUR BOULONNEUSE SANS FIL

GEB138-1

1. Tenez l'outil électrique par des surfaces de prise isolées lorsque vous effectuez une tâche au cours de laquelle la vis ou le boulon peut entrer en contact avec des fils cachés. Le contact de la vis ou du boulon avec un fil sous tension peut transmettre du courant dans les pièces métalliques exposées de l'outil et électrocuter l'opérateur.
2. Portez un casque anti-bruit.
3. Vérifiez que la douille à choc n'est pas usée, fissurée ou endommagée avant l'installation.
4. Tenez votre outil fermement.
5. Gardez les mains éloignées des pièces en rotation.
6. Ayez toujours une assise ferme sous vos pieds. Veillez à ce que personne ne se trouve en dessous de vous quand vous utilisez l'outil en hauteur.
7. Le couple de serrage correct peut varier en fonction du type ou de la dimension du boulon. Vérifiez le couple à l'aide d'une clé dynamométrique.

CONSERVEZ CES INSTRUCTIONS.

⚠ AVERTISSEMENT : NE vous laissez PAS tromper (au fil d'une utilisation répétée) par un sentiment d'aisance et de familiarité avec le produit, en négligeant le respect rigoureux des consignes de sécurité qui accompagnent le produit en question. La MAUVAISE UTILISATION de l'outil ou l'ignorance des consignes de sécurité indiquées dans ce mode d'emploi peut entraîner de graves blessures.

CONSIGNES DE SECURITE IMPORTANTES POUR LA BATTERIE

ENC007-12

1. Avant d'utiliser la batterie, veuillez lire toutes les instructions et tous les avertissements inscrits sur (1) le chargeur, (2) la batterie et (3) l'appareil alimenté par la batterie.
2. Ne démontez pas la batterie.
3. Cessez immédiatement d'utiliser l'outil si le temps de fonctionnement devient excessivement court. Il y a risque de surchauffe, de brûlures, voire d'explosion.
4. Si l'électrolyte pénètre dans vos yeux, rincez-les à l'eau claire et consultez immédiatement un médecin. Il y a risque de perte de la vue.
5. Évitez de court-circuiter la batterie :
 - (1) Ne touchez les bornes avec aucun matériau conducteur.
 - (2) Évitez de ranger la batterie dans un contenant où se trouvent d'autres objets métalliques tels que des clous, pièces de monnaie, etc.
 - (3) N'exposez pas la batterie à l'eau ou à la pluie.

Un court-circuit de la batterie risque de provoquer un fort courant, une surchauffe, parfois des brûlures et même une panne.

6. Ne rangez pas l'outil ou la batterie dans des endroits où la température risque d'atteindre ou de dépasser 50 °C (122 °F).
7. Ne jetez pas la batterie au feu même si elle est sérieusement endommagée ou complètement épuisée. La batterie peut exploser au contact du feu.
8. Veillez à ne pas laisser tomber ou heurter la batterie.
9. N'utilisez pas de batterie endommagée.
10. Les batteries au lithium-ion contenues sont soumises aux exigences de la législation sur les marchandises dangereuses.

Lors du transport commercial par des tiers parties ou des transitaires par exemple, des exigences spécifiques en matière d'étiquetage et d'emballage doivent être respectées.

Pour la préparation de l'article expédié, il est nécessaire de consulter un expert en matériau dangereux. Veuillez également respecter les réglementations nationales susceptibles d'être plus détaillées.

Recouvrez les contacts exposés avec du ruban adhésif ou du ruban de masquage et emballez la batterie de telle sorte qu'elle ne puisse pas bouger dans l'emballage.

11. Respectez les réglementations locales relatives à la mise au rebut des batteries.
12. Utilisez les batteries uniquement avec les produits spécifiés par Makita. L'installation des batteries sur des produits non conformes peut entraîner un incendie, une chaleur excessive, une explosion ou une fuite d'électrolyte.

CONSERVEZ CES INSTRUCTIONS.

⚠ ATTENTION : N'utilisez que des batteries Makita d'origine.

L'utilisation de batteries de marque autre que Makita ou de batteries modifiées peut provoquer l'explosion des batteries, ce qui présente un risque d'incendie, de dommages matériels et corporels. Cela annulera également la garantie Makita pour l'outil et le chargeur Makita.

Conseils pour assurer la durée de vie optimale de la batterie

1. Rechargez la batterie avant qu'elle ne soit complètement épuisée. Arrêtez toujours l'outil et rechargez la batterie quand vous constatez que la puissance de l'outil diminue.
2. Ne rechargez jamais une batterie complètement chargée. La surcharge réduit la durée de service de la batterie.
3. Chargez la batterie alors que la température de la pièce se trouve entre 10 °C et 40 °C (50 °F et

104 °F). Si une batterie est chaude, laissez-la refroidir avant de la charger.

4. Chargez la batterie si vous ne l'avez pas utilisée pendant une longue période (plus de six mois).

DESCRIPTION DU FONCTIONNEMENT

ATTENTION :

- Veillez toujours à éteindre l'outil et déposer la batterie avant de régler ou vérifier le fonctionnement de l'appareil.

Installation et retrait de la batterie (Fig. 1)

- Éteignez toujours l'outil avant d'installer ou de déposer la batterie.
- Pour retirer la batterie, faites glisser le bouton à l'avant de la batterie et sortez la batterie.
- Pour installer la batterie, alignez sa languette sur la rainure qui se trouve à l'intérieur du carter, puis glissez la batterie pour la mettre en place. Insérez-la toujours bien à fond, jusqu'à ce qu'elle se verrouille en émettant un léger clic. Si vous pouvez voir le voyant rouge sur la face supérieure du bouton, la batterie n'est pas parfaitement verrouillée. Installez-la à fond, jusqu'à ce que le voyant rouge ne soit plus visible. Sinon, elle risque de tomber accidentellement de l'outil, en vous blessant ou en blessant une personne située près de vous.
- N'appliquez pas une force excessive lors de l'installation de la batterie. Si la batterie ne glisse pas aisément, c'est qu'elle n'est pas insérée correctement.

Système de protection de la batterie (batterie au lithium-ion comportant une étoile) (Fig. 2)

Les batteries au lithium-ion comportant une étoile sont équipées d'un système de protection. Ce système coupe automatiquement l'alimentation en électricité vers l'outil afin de prolonger sa durée de vie.

L'outil s'arrête automatiquement pendant l'utilisation lorsqu'il et/ou la batterie se trouvent dans l'une des situations suivantes :

- Surchargé :
L'outil fonctionne de manière à créer un courant anormalement élevé.
Dans ce cas, relâchez la gâchette située sur l'outil et arrêtez l'application ayant provoqué la surcharge de l'outil. Ensuite, tirez à nouveau sur la gâchette pour redémarrer l'outil.
Si l'outil ne démarre pas, la batterie est en surchauffe. Dans ce cas, laissez la batterie refroidir avant de tirer à nouveau sur la gâchette.
- Basse tension :
L'autonomie restante est trop basse et l'outil ne fonctionnera pas. Dans ce cas, retirez la batterie et rechargez-la.

Indication de l'autonomie restante de la batterie

Uniquement pour les batteries avec voyant lumineux (Fig. 3)

Appuyez sur le bouton de vérification sur la batterie pour indiquer la charge restante de la batterie. Les témoins s'allument pendant quelques secondes.

Voyants			Autonomie restante
Allumé	Éteint	Cignotant	
			75 % à 100 %
			50 % à 75 %
			25 % à 50 %
			0 % à 25 %
			Recharger la batterie.
			Il est possible que la batterie ait mal fonctionné.

REMARQUE :

- Selon les conditions d'utilisation et la température ambiante, les indications peuvent différer légèrement de l'autonomie réelle restante.

Interrupteur

ATTENTION :

- Avant d'insérer la batterie dans l'outil, vérifiez toujours que la gâchette fonctionne bien et revient en position d'arrêt lorsque libérée. (Fig. 4)

Pour mettre l'outil en marche, tirez simplement sur le levier de l'interrupteur. La vitesse de l'outil augmente à mesure que l'on accroît la pression sur le levier de l'interrupteur. Pour arrêter l'outil, relâchez le levier de l'interrupteur.

Allumage des lampes

ATTENTION :

- Ne regardez pas directement la lumière ou la source de lumière. (Fig. 5)

Appuyez sur la gâchette pour allumer la lampe. La lampe demeure allumée tant que la pression sur la gâchette est maintenue. La lumière s'éteint d'elle-même de 10 à 15 secondes après la libération de la gâchette.

REMARQUE :

- Utilisez un chiffon sec pour essuyer les saletés qui recouvrent la lentille de la lampe. Prenez garde de rayer la lentille de la lampe, sinon sa capacité d'éclairage sera affectée.

Marche arrière (Fig. 6)

L'outil possède un inverseur qui permet de changer le sens de rotation. Appuyez sur le levier de l'inverseur par le côté A pour une rotation dans le sens des aiguilles d'une montre, ou par le côté B pour une rotation en sens inverse.

La pression sur la gâchette n'est pas possible lorsque le levier de l'inverseur se trouve en position neutre.

ATTENTION :

- Vérifiez toujours le sens de rotation avant de mettre l'outil en marche.
- N'actionnez l'inverseur qu'une fois l'outil complètement arrêté. Si vous changez le sens de rotation de l'outil avant l'arrêt de l'outil, vous risquez de l'endommager.
- Lorsque vous n'utilisez pas l'outil, placez toujours le levier de l'inverseur en position neutre.

ASSEMBLAGE

ATTENTION :

- Assurez-vous toujours que l'outil est hors tension et que la batterie est retirée avant d'effectuer toute intervention sur l'outil.

Choisissez un embout approprié

Toujours choisir la taille de l'embout correct pour les boulons et les écrous. Un embout de taille incorrect résultera en un couple de serrage inconsistant et imprécis et/ou endommagera le boulon ou l'écrou.

Installation ou dépose de la batterie (Fig. 7)

Pour installer l'embout, pousser le dans l'enclume de l'outil jusqu'à ce qu'il se verrouille en place.

Pour retirer l'embout, tirez le simplement.

Crochet (Accessoire)

ATTENTION :

- Quand vous installez le crochet, serrez la vis fermement. Ne pas le faire risque de casser l'outil ou causer des blessures personnelles. (Fig. 8)

L'outil est équipé d'un crochet pratique qui permet de le suspendre temporairement.

Il s'installe d'un côté comme de l'autre de l'outil.

Pour installer le crochet, insérez-le dans une rainure du carter de l'outil d'un côté ou de l'autre puis serrez-le avec une vis.

Pour le retirer, desserrez la vis et enlevez-le.

Réglage de la tête d'angle

La tête d'angle peut être ajustée à 360° (8 positions en des incréments à 45 degrés). Pour la régler, desserrez le boulon hexagonal et retirez la tête d'angle.

Régalez la tête d'angle à la position désirée et réinstallez-la de sorte que les dents dans le carter correspondront avec les rainures de la tête d'angle. Serrez ensuite le boulon hexagonal dans le sens des aiguilles d'une montre pour immobiliser le couvercle central. (Fig. 9 et 10)

Tête droite et tête de rochet (Accessoire)

Les têtes droites et les têtes de rochets sont disponibles comme accessoires optionnels pour diverses utilisations sur le poste. (Fig. 11 et 12)

UTILISATION

ATTENTION :

- Insérez toujours la batterie bien à fond, jusqu'à ce qu'elle se verrouille en place. Si vous pouvez voir la partie rouge sur la face supérieure du bouton, la batterie n'est pas parfaitement verrouillée. Insérez-la à fond, jusqu'à ce que la partie rouge ne soit

plus visible. Dans le cas contraire, la batterie risque de tomber accidentellement de l'outil et de vous blesser ou de blesser une personne se trouvant près de vous.

Tenir l'outil fermement et placez l'embout au-dessus du boulon ou de la vis. Allumez l'outil et attachez-le pour le délai de fixation correct. (Fig. 13)

Le couple de serrage correct peut différer selon le type ou la taille du boulon, le matériel de la pièce de travail à fixer, etc. La relation entre le couple de serrage et le délai de fixation est illustré aux figures. (Fig. 14 et 15)

REMARQUE :

- Tenez l'outil pointé droit sur le boulon ou l'écrou.
- Un couple de serrage excessif peut endommager le boulon/écrou ou l'embout. Avant de commencer votre travail, effectuez toujours une opération d'essai pour déterminer le délai de fixation approprié pour votre vis.
- Si l'outil a fonctionné de façon continue jusqu'à ce que la batterie s'épuise, laissez-le reposer pendant 15 minutes avant de poursuivre avec une batterie fraîche.

Le couple de serrage est affecté par une grande variété de facteurs, notamment ce qui suit. Après le serrage, vérifiez toujours le couple à l'aide d'une clé dynamométrique.

1. Quand la batterie est presque totalement déchargée, la tension chutera et le couple de serrage sera réduit.
2. Embout ou embout à douille
 - Si vous n'utilisez pas un embout ou un embout à douille de taille appropriée, cela entraînera une diminution du couple de serrage.
 - Un embout usé (l'usure est sur l'extrémité hexagonale ou carrée) causera une réduction dans le couple de serrage.
3. Boulon
 - Bien que le coefficient de couple et la classe de boulon soient identiques, le couple de serrage approprié diffèrera en fonction du diamètre du boulon.
 - Bien que les diamètres des boulons soient identiques, le couple de serrage approprié diffèrera en fonction du coefficient de couple et de la classe et de la longueur du boulon.
4. L'utilisation du joint universel ou de la barre d'extension réduit quelque peu la force de serrage de la clé à chocs. Compensez en serrant pendant plus longtemps.
5. La manière de tenir l'outil ou le matériau de la position d'entraînement à fixer affectera le couple.
6. L'opération de l'outil à une vitesse lente entraînera une réduction du couple de serrage.

MAINTENANCE

ATTENTION :

- Assurez-vous toujours que l'outil est hors tension et que la batterie est retirée avant d'y effectuer tout travail d'inspection ou d'entretien.
- N'utilisez jamais d'essence, de benzine, de diluant, d'alcool ou de produit similaire. Ces produits risquent de provoquer des décolorations, des déformations ou des fissures.

Pour assurer la SÉCURITÉ et la FIABILITÉ du produit, toute réparation et tout travail d'entretien ou de réglage

doivent être effectués par un Centre de service après-vente agréé Makita, avec des pièces de rechange Makita.

ACCESSOIRES FOURNIS EN OPTION

ATTENTION :

- Ces accessoires ou pièces complémentaires sont recommandés pour être utilisés avec l'outil Makita spécifié dans ce mode d'emploi. L'utilisation de tout autre accessoire ou pièce complémentaire peut comporter un risque de blessure. N'utilisez les accessoires ou pièces qu'aux fins auxquelles ils ont été conçus.

Pour obtenir plus de détails sur ces accessoires, contactez votre Centre de service local Makita.

- Embouts
- Barre d'extension
- Joint universel
- Partie d'embout
- Divers types de batteries et chargeurs de marque Makita.

REMARQUE :

- Certains éléments de la liste peuvent être inclus en tant qu'accessoires standard dans le coffret de l'outil envoyé. Ils peuvent varier suivant les pays.

Bruit ENG905-1
Les niveaux de bruit pondéré A typiques ont été mesurés selon la norme EN62841 :

Niveau de pression sonore (L_{pA}) : 88 dB (A)
Niveau de puissance sonore (L_{WA}) : 99 dB (A)
Incertitude (K) : 3 dB (A)

- ENG907-1
- La ou les valeurs d'émission de bruit déclarées ont été mesurées conformément à la méthode de test standard et peuvent être utilisées pour comparer les outils entre eux.
 - La ou les valeurs d'émission de bruit déclarées peuvent aussi être utilisées pour l'évaluation préliminaire de l'exposition.

AVERTISSEMENT :

- **Portez un serre-tête antibruit.**
- **L'émission de bruit lors de l'usage réel de l'outil électrique peut être différente de la ou des valeurs déclarées, suivant la façon dont l'outil est utilisé, particulièrement selon le type de pièce usinée.**
- **Les mesures de sécurité à prendre pour protéger l'utilisateur doivent être basées sur une estimation de l'exposition dans des conditions réelles d'utilisation (en tenant compte de toutes les composantes du cycle d'utilisation, comme par exemple le moment de sa mise hors tension, lorsqu'il tourne à vide et le moment de son déclenchement).**

Vibrations

ENG900-1

La valeur totale de vibration (somme du vecteur triaxial) a été déterminée selon la norme EN62841 :

Modèle DTL062

Mode de fonctionnement : serrage avec chocs de boulons ou d'écrous à la capacité maximale de l'outil
Émission des vibrations (a_h) : 14,5 m/s²
Incertitude (K) : 2,0 m/s²

Modèle DTL063

Mode de fonctionnement : serrage avec chocs de boulons ou d'écrous à la capacité maximale de l'outil
Émission des vibrations (a_h) : 16,5 m/s²
Incertitude (K) : 2,0 m/s²

ENG901-2

- La ou les valeurs de vibration totales déclarées ont été mesurées conformément à la méthode de test standard et peuvent être utilisées pour comparer les outils entre eux.
- La ou les valeurs de vibration totales déclarées peuvent aussi être utilisées pour l'évaluation préliminaire de l'exposition.

AVERTISSEMENT :

- **L'émission de vibrations lors de l'usage réel de l'outil électrique peut être différente de la ou des valeurs déclarées, suivant la façon dont l'outil est utilisé, particulièrement selon le type de pièce usinée.**
- **Les mesures de sécurité à prendre pour protéger l'utilisateur doivent être basées sur une estimation de l'exposition dans des conditions réelles d'utilisation (en tenant compte de toutes les composantes du cycle d'utilisation, comme par exemple le moment de sa mise hors tension, lorsqu'il tourne à vide et le moment de son déclenchement).**

Déclaration de conformité CE

Pour les pays d'Europe uniquement

La Déclaration de conformité CE figure en Annexe A du présent mode d'emploi.

DEUTSCH (Originalanweisungen)

Erklärung der Gesamtdarstellung

- | | | |
|--------------------|-----------------------|----------------------------|
| 1. Roter Bereich | 9. Umschalthebel | 17. Zahn |
| 2. Taste | 10. Steckersatz | 18. Gerader Kopf |
| 3. Akkublock | 11. Aufsatzhalter | 19. Ratschenkopf |
| 4. Sternmarkierung | 12. Rille | 20. Standardbolzen |
| 5. Anzeigenlampen | 13. Schraube | 21. Anzugsmoment |
| 6. Akkuprüftaste | 14. Einhängclip | 22. Richtiges Anzugsmoment |
| 7. Hebelschalter | 15. Sechskantschraube | 23. Anzugszeit (s) |
| 8. Lampe | 16. Winkelkopf | 24. Höherfester Bolzen |

TECHNISCHE ANGABEN

Modell		DTL062	DTL063
Leistungen	Standardbolzen	M4 - M12	
	Bolzen mit hohem Abschermoment	M4 - M8	
Vierkantaufsatz		9,5 mm	
Leerlaufdrehzahl (U/min ⁻¹)		0 - 2.000	
Schläge pro Minute		0 - 3.000	
Max. Anzugsmoment		60 Nm	
Gesamtlänge		387 mm	
Nettogewicht		1,4 - 1,8 kg	1,4 - 2,0 kg
Nennspannung		14,4 V Gleichspannung	18 V Gleichspannung

- Aufgrund unserer beständigen Forschungen und Weiterentwicklungen sind Änderungen an den hier angegebenen Technischen Daten ohne Vorankündigung vorbehalten.
- Die Technischen Daten können in den einzelnen Ländern voneinander abweichen.
- Das Gewicht kann sich je nach Umfang und Art der vorhandenen Zubehörteile inkl. Akkublock ändern. Das Gewicht der leichtest- und schwerstmöglichen Kombination, das im Einklang mit dem EPTA-Verfahren 01/2014 ermittelt wurde, ist in der Tabelle aufgeführt.

Zu verwendender Akkublock mit Ladegerät

Akkublock	14,4 V Gleichspannung Modell	BL1415N/BL1430/BL1430B/BL1440/BL1450/BL1460B
	18 V Gleichspannung Modell	BL1815N/BL1820/BL1820B/BL1830/BL1830B/BL1840/BL1840B/BL1850/BL1850B/BL1860B
Ladegerät		DC18RC/DC18RD/DC18RE/DC18SD/DC18SE/DC18SF

- In Abhängigkeit der Region, in der Sie ansässig sind, kann es vorkommen, dass einige von den oben aufgeführten Akkublöcken und Ladegeräten nicht verfügbar sind.

WARNUNG:

- **Verwenden Sie ausschließlich die oben angegebenen Akkublöcke und Ladegeräte.** Bei Verwendung anderer Akkublöcke und Ladegeräte besteht Verletzungs- und Brandgefahr.

Verwendungszweck


Das Werkzeug wurde für das Schrauben in Holz, Metall und Kunststoff entwickelt.

ENE033-1

Anweisungen kann zu einem elektrischen Schlag, Brand und/oder schweren Verletzungen führen.

Allgemeine Sicherheitswarnungen für Elektrowerkzeuge

GEA010-2

 **WARNUNG: Lesen Sie alle mit diesem Elektrowerkzeug gelieferten Sicherheitswarnungen, Anweisungen, Abbildungen und technischen Daten durch.** Eine Missachtung der unten aufgeführten

Bewahren Sie alle Warnungen und Anweisungen für spätere Bezugnahme auf.

Der Ausdruck „Elektrowerkzeug“ in den Warnhinweisen bezieht sich auf Ihr mit Netzstrom (mit Kabel) oder Akku (ohne Kabel) betriebenes Elektrowerkzeug.

SICHERHEITSWARNUNGEN FÜR AKKU-SCHLAGSCHRAUBER

GEB138-1

1. Halten Sie das Elektrowerkzeug nur an den isolierten Griffflächen, wenn Sie Arbeiten ausführen, bei denen die Gefahr besteht, dass das Befestigungselement verborgene Kabel kontaktiert. Bei Kontakt mit einem Strom führenden Kabel können die freiliegenden Metallteile des Elektrowerkzeugs ebenfalls Strom führend werden, so dass der Benutzer einen elektrischen Schlag erleiden kann.
2. Tragen Sie Gehörschützer.
3. Überprüfen Sie den Schlagsteckschlüsseleinsatz vor der Montage sorgfältig auf Verschleiß, Risse oder Beschädigung.
4. Halten Sie das Werkzeug mit festem Griff.
5. Halten Sie Ihre Hände von rotierenden Teilen fern.
6. Achten Sie stets auf sicheren Stand. Vergewissern Sie sich bei Einsatz des Werkzeugs an hochgelegenen Arbeitsplätzen, dass sich keine Personen darunter aufhalten.
7. Das korrekte Anzugsmoment kann je nach Art oder Größe der Schraube unterschiedlich sein. Überprüfen Sie das Anzugsmoment mit einem Drehmomentschlüssel.

DIESE ANWEISUNGEN AUFBEWAHREN.

⚠ WARNUNG: Lassen Sie sich NICHT durch Bequemlichkeit oder Vertrautheit mit dem Produkt (durch wiederholten Gebrauch erworben) von der strikten Einhaltung der Sicherheitsregeln für das vorliegende Produkt abhalten. MISSBRAUCH oder Missachtung der Sicherheitsvorschriften in dieser Anleitung können schwere Verletzungen verursachen.

WICHTIGE SICHERHEITSANWEISUNGEN FÜR AKKU

ENC007-12

1. Lesen Sie vor der Verwendung des Akkublocks alle Anweisungen und Sicherheitshinweise für das Akkuladegerät (1), den Akku (2) und das Produkt (3), für das der Akku verwendet wird, sorgfältig durch.
2. Der Akkublock darf nicht zerlegt werden.
3. Falls die Betriebsdauer erheblich kürzer wird, beenden Sie den Betrieb umgehend. Andernfalls besteht die Gefahr einer Überhitzung sowie das Risiko möglicher Verbrennungen und sogar einer Explosion.
4. Wenn Elektrolyt in Ihre Augen gerät, waschen Sie diese mit klarem Wasser aus und suchen Sie sofort einen Arzt auf. Andernfalls können Sie Ihre Sehfähigkeit verlieren.
5. Vermeiden Sie einen Kurzschluss des Akkublocks:
 - (1) Die Kontakte dürfen nicht mit leitendem Material in Berührung kommen.

- (2) Der Akkublock darf nicht in einem Behälter aufbewahrt werden, in dem sich andere metallische Gegenstände wie beispielsweise Nägel, Münzen usw. befinden.
- (3) Der Akkublock darf weder Feuchtigkeit noch Regen ausgesetzt werden.

Ein Kurzschluss des Akkus kann zu hohem Kriechstrom, Überhitzung, möglichen Verbrennungen und sogar zu einer Zerstörung des Werkzeugs führen.

6. Werkzeug und Akkublock dürfen nicht an Orten aufbewahrt werden, an denen Temperaturen von 50°C oder darüber erreicht werden können.
7. Beschädigte oder verbrauchte Akkus dürfen nicht verbrannt werden. Der Akkublock kann in den Flammen explodieren.
8. Lassen Sie den Akku nicht fallen und vermeiden Sie Schläge gegen den Akku.
9. Verwenden Sie niemals einen beschädigten Akku.
10. Die enthaltenen Lithium-Ionen-Akkus unterliegen den Anforderungen der Gefahrgut-Gesetzgebung.

Für kommerzielle Transporte, z. B. durch Dritte oder Spediteure, müssen besondere Anforderungen zu Verpackung und Etikettierung beachtet werden. Zur Vorbereitung des zu transportierenden Artikels ist eine Beratung durch einen Experten für Gefahrgut erforderlich. Bitte beachten Sie möglicherweise ausführlichere nationale Vorschriften.

Überkleben oder verdecken Sie offene Kontakte, und verpacken Sie den Akku so, dass er sich in der Verpackung nicht umher bewegen kann.

11. Befolgen Sie die in Ihrem Land geltenden Bestimmungen bzgl. der Entsorgung von Akkus.
12. Verwenden Sie die Akkus nur mit den von Makita genannten Produkten. Der Einsatz der Akkus in nicht kompatiblen Produkten kann Brände, extreme Wärmeentwicklung, Explosionen oder einen Austritt von Elektrolyt verursachen.

BEWAHREN SIE DIESE ANLEITUNG SORGFÄLTIG AUF.

⚠ VORSICHT: Verwenden Sie nur Original-Makita-Akkus.

Die Verwendung von Nicht-Original-Makita-Akkus oder von Akkus, die abgeändert worden sind, kann zum Bersten des Akkus und daraus resultierenden Bränden, Personenschäden und Beschädigung führen. Außerdem wird dadurch die Makita-Garantie für das Makita-Werkzeug und -Ladegerät ungültig.

Tipps für eine maximale Nutzungsdauer von Akkus

1. Laden Sie den Akkublock auf, bevor der Akku vollständig entladen ist. Sobald Sie eine verringerte Leistung des Werkzeugs bemerken, beenden Sie stets den Betrieb des Werkzeugs und laden Sie den Akkublock auf.
2. Ein voll aufgeladener Akkublock darf niemals erneut geladen werden. Durch Überladungen wird die Lebensdauer des Akkus verkürzt.

- Laden Sie den Akkublock bei einer Zimmertemperatur von 10°C bis 40°C auf. Lassen Sie einen heißen Akkublock vor dem Aufladen abkühlen.
- Laden Sie den Akkublock auf, wenn Sie diesen für längere Zeit nicht verwenden (mehr als sechs Monate).

Situation den Akku und laden Sie den Akku wieder auf.

Anzeigen der Restladung des Akkus

Nur für Akkus mit Anzeige (Abb. 3)

Drücken Sie die Prüftaste am Akku, um die Akku-Restkapazität anzuzeigen. Die Anzeigelampen leuchten wenige Sekunden lang auf.

Anzeigelampen			Verbleibende Akkuladung
Leuchtet	Aus	Blinkt	
■	□	◐	75% bis 100%
■	■	■	50% bis 75%
■	■	□	25% bis 50%
■	□	□	0% bis 25%
◐	□	□	Laden Sie den Akku auf.
■	■	□	Möglicherweise liegt ein Defekt des Akkus vor.

HINWEIS:

- In Abhängigkeit von den Bedingungen bei Gebrauch und von der Umgebungstemperatur kann der angezeigte Ladezustand geringfügig vom tatsächlichen Ladezustand abweichen.

Bedienung des Schalters

ACHTUNG:

- Achten Sie vor dem Einsetzen des Akkublocks in das Werkzeug darauf, dass sich der Hebelschalter korrekt bedienen lässt und beim Loslassen in die Position „OFF“ (AUS) zurückkehrt. (Abb. 4)

Betätigen Sie zum Starten des Werkzeugs einfach den Hebelschalter. Die Drehzahl des Werkzeugs wird durch erhöhten Druck auf den Hebelschalter gesteigert. Lassen Sie den Hebelschalter los, um das Werkzeug anzuhalten.

Einschalten der vorderen Lampe

ACHTUNG:

- Schauen Sie nicht direkt in das Licht oder in die Lichtquelle. (Abb. 5)
- Ziehen Sie zum Einschalten der Lampe den Schalterhebel. Die Lampe leuchtet so lange, wie der Schalterhebel gezogen wird. Das Licht erlischt automatisch nach 10 bis 15 Sekunden nach dem Loslassen des Schalterhebels.

HINWEIS:

- Wischen Sie Schmutz auf der Lampenlinse mit einem trockenen Tuch ab. Achten Sie darauf, die Lampenlinse nicht zu zerkratzen, da dies die Beleuchtungsstärke mindern kann.

FUNKTIONSBESCHREIBUNG

ACHTUNG:

- Schalten Sie das Werkzeug stets aus und entfernen Sie den Akkublock, bevor Sie Einstellungen oder eine Funktionsprüfung des Werkzeugs vornehmen.

Einsetzen und Abnehmen des Akkublocks (Abb. 1)

- Schalten Sie das Werkzeug stets aus, bevor Sie den Akkublock einsetzen oder abnehmen.
- Zum Abnehmen des Akkublocks müssen Sie die Taste auf der Vorderseite des Akkublocks schieben und gleichzeitig den Akkublock aus dem Gerät herausziehen.
- Zum Einsetzen des Akkublocks müssen Sie die Zunge des Akkublocks an der Rille im Gehäuse ausrichten und den Akkublock in die gewünschte Position schieben. Setzen Sie den Akkublock unbedingt ganz ein, bis er mit einem Klick einrastet. Wenn Sie den roten Bereich oben auf der Taste sehen können, ist der Akkublock noch nicht ordnungsgemäß eingerastet. Setzen Sie den Akkublock vollständig ein, bis der rote Bereich nicht mehr zu sehen ist. Andernfalls kann der Akkublock versehentlich aus dem Gerät fallen und Sie oder Personen in Ihrem Umfeld verletzen.
- Wenden Sie beim Einsetzen des Akkublocks keine Gewalt an. Wenn der Akkublock nicht leicht hineingleitet, ist er nicht richtig angesetzt.

Akku-Schutzsystem (Lithium-Ionen-Akku ist mit einem Stern gekennzeichnet) (Abb. 2)

Mit einem Stern gekennzeichnete Lithium-Ionen-Akkus verfügen über ein Schutzsystem. Dieses System schaltet die Stromversorgung des Werkzeugs automatisch aus, um die Lebensdauer des Akkus zu verlängern. Unter folgenden Bedingungen des Werkzeugs und/oder des Akkus kann das Werkzeug während des Betriebs automatisch stoppen:

- Überlastet:

Das Werkzeug wird auf eine Weise betrieben, die zu einer anormal hohen Stromaufnahme führt. Lassen Sie in dieser Situation den Ein/Aus-Schalter des Werkzeugs los und beenden Sie die Arbeiten, die zu der Überlastung des Werkzeugs geführt haben. Betätigen Sie anschließend den Ein/Aus-Schalter wieder, um das Werkzeug wieder in Betrieb zu nehmen.

Wenn das Werkzeug nicht startet, ist der Akku überhitzt. Lassen Sie in dieser Situation den Akku erst abkühlen, bevor Sie wieder den Ein/Aus-Schalter betätigen.
- Spannung des Akkus zu niedrig:

Die noch vorhandene Akkuladung ist zu niedrig, und das Werkzeug startet nicht. Entnehmen Sie in dieser

Bedienung des Umschalters (Abb. 6)

Dieses Werkzeug verfügt über einen Umschalter, mit dem die Drehrichtung geändert werden kann. Für eine Drehbewegung im Uhrzeigersinn muss der Umschalthebel von der Seite A nach unten gedrückt werden und für eine Drehbewegung gegen den Uhrzeigersinn von der Seite B. Wenn sich der Umschalthebel in der neutralen Position befindet, kann der Schalterhebel nicht gezogen werden.

ACHTUNG:

- Überprüfen Sie vor jedem Betrieb immer die Drehrichtung.
- Der Umschalter darf nur betätigt werden, wenn das Werkzeug ganz angehalten wurde. Wenn Sie die Drehrichtung ändern, solange das Werkzeug noch läuft, kann es beschädigt werden.
- Ist das Werkzeug nicht in Gebrauch, muss der Umschalthebel immer auf die neutrale Position gestellt werden.

MONTAGE

ACHTUNG:

- Schalten Sie das Werkzeug stets aus und entfernen Sie den Akkublock, bevor Sie Arbeiten am Werkzeug ausführen.

Auswahl des richtigen Steckesatzes

Benutzen Sie für Bolzen und Muttern immer den Steckesatz mit der richtigen Größe. Ein Steckesatz mit der falschen Größe führt zu falschem und unbeständigem Anzugsdrehmoment und/oder zu Beschädigungen an Bolzen und Muttern.

Montage und Demontage des Steckesatzes (Abb. 7)

Um den Steckesatz anzubringen, drücken Sie ihn auf den Aufsatzhalter des Werkzeugs, bis er einrastet. Um den Steckesatz zu entfernen, ziehen Sie ihn einfach heraus.

Einhängeclip (Zubehör)

ACHTUNG:

- Ziehen Sie die Schraube fest, wenn Sie den Clip anbringen. Andernfalls kann es zu einer Beschädigung des Werkzeugs oder zu Verletzungen kommen (Abb. 8)

Der Haken ist nützlich, wenn Sie das Werkzeug vorübergehend aufhängen möchten. Er kann an jeder Seite des Werkzeugs befestigt werden. Setzen Sie zur Montage den Haken in eine Rille am Werkzeuggehäuse (die Seite ist beliebig) und befestigen Sie diesen mit einer Schraube. Zur Entfernung müssen Sie nur die Schraube lösen und den Haken herausnehmen.

Einstellen des Winkelkopfes

Der Winkelkopf kann in einem Winkel von 360° (8 Positionen in Winkelschritten von 45°) eingestellt werden. Lösen Sie zum Einstellen die Sechskantschraube und entfernen Sie den Winkelkopf. Stellen Sie den Winkelkopf in der gewünschten Position ein und bauen Sie ihn wieder so ein, dass die Zähne am

Gehäuse mit den Kerben im Winkelkopf ausgerichtet sind. Ziehen Sie dann die Sechskantschraube zur Sicherung des Winkelkopfes fest. (Abb. 9 und 10)

Gerader Kopf und Ratschenkopf (Zubehör)

Für verschiedene Arbeiten ist der gerade Kopf und der Ratschenkopf als Zubehör erhältlich. (Abb. 11 und 12)

BETRIEB

ACHTUNG:

- Schieben Sie den Akkublock stets vollständig ein, bis er einrastet. Wenn Sie den roten Bereich oben auf der Taste sehen können, ist der Block nicht ganz eingerastet. Setzen Sie ihn ganz ein, bis der rote Bereich nicht mehr zu sehen ist. Andernfalls kann der Block versehentlich aus dem Werkzeug fallen und Sie oder Personen in Ihrem Umfeld verletzen.

Halten Sie das Werkzeug fest und setzen Sie den Steckesatz auf den Bolzen oder die Mutter. Schalten Sie das Werkzeug ein, und nehmen Sie die Befestigung mit der richtigen Anzugszeit vor. (Abb. 13)

Das richtige Anzugsdrehmoment kann je nach Art und Größe des Bolzens, des Materials des zu befestigenden Werkstücks usw. abweichen. Das Verhältnis zwischen Anzugsdrehmoment und -zeit wird in den Abbildungen gezeigt. (Abb. 14 und 15)

HINWEIS:

- Halten Sie das Werkzeug gerade auf den Bolzen bzw. die Mutter ausgerichtet.
- Ein zu starkes Anzugsdrehmoment kann Bolzen, Muttern und Steckesätze beschädigen. Führen Sie vor Beginn der Arbeiten immer einen Test durch, um das richtige Drehmoment für den Bolzen oder die Mutter zu bestimmen.
- Wenn das Werkzeug bis zur vollständigen Entladung des Akkus betrieben wurde, lassen Sie es 15 Minuten liegen, bevor Sie mit einem neuen Akku fortfahren.

Das Anzugsmoment wird durch eine Vielzahl der im Folgenden aufgeführten Faktoren beeinflusst. Prüfen Sie nach dem Festziehen immer das Drehmoment mit einem Drehmomentschlüssel.

1. Wurde der Akkublock nahezu vollständig entladen, fällt die Spannung ab und das Anzugsmoment verringert sich.
2. Drehereinsatz oder Steckaufsätze
 - Wird nicht die richtige Größe für den Drehereinsatz oder den Steckeraufsatz verwendet, wird das Anzugsmoment verringert.
 - Ein abgenutzter Steckesatz (Abnutzung am Sechskant- oder dem viereckigen Ende) verringert das Anzugsdrehmoment.
3. Schraube
 - Auch wenn der Drehmomentkoeffizient und die Klasse für den Bolzen übereinstimmen, kann das Anzugsmoment in Abhängigkeit vom Durchmesser des Bolzens abweichen.
 - Auch wenn die Durchmesser der Bolzen gleich sind, kann das richtige Anzugsmoment in Abhängigkeit vom Drehmomentkoeffizienten, der Klasse und Länge des Bolzens abweichen.

4. Die Verwendung der Universalverbindung oder der Verlängerungsstange reduziert das Anzugsdrehmoment des Schlagschraubers geringfügig. Kompensieren Sie dies, indem Sie die Anzugszeit verlängern.
5. Die Weise, wie das Werkzeug gehalten wird, und das Material an der zu schraubenden Position beeinflussen das Drehmoment.
6. Der Betrieb des Werkzeugs mit einer niedrigeren Drehzahl führt zu einer Verringerung des Anzugsmoments.

WARTUNG

ACHTUNG:

- Schalten Sie das Werkzeug stets aus und entfernen Sie den Akkublock, bevor Sie Inspektionen oder Wartungsarbeiten am Werkzeug vornehmen.
 - Verwenden Sie zum Reinigen niemals Kraftstoffe, Benzin, Verdünnern, Alkohol oder ähnliches. Dies kann zu Verfärbungen, Verformungen oder Rissen führen.
- Um die SICHERHEIT und ZUVERLÄSSIGKEIT des Produkts zu gewährleisten, sollten Reparaturen, Wartungsarbeiten und Einstellungen nur durch von Makita autorisierte Servicecenter durchgeführt und immer Makita-Ersatzteile verwendet werden.

SONDERZUBEHÖR

⚠️ ACHTUNG:

- Für das in diesem Handbuch beschriebene Makita-Gerät werden die folgenden Zubehör- und Zusatzteile empfohlen. Bei Verwendung anderer Zubehör- und Zusatzteile kann es zu Verletzungen kommen. Verwenden Sie Zubehör- und Zusatzteile nur für den vorgesehenen Zweck.

Informationen zu diesem Zubehör erhalten Sie von Ihrem Makita-Servicecenter.

- Steckensätze
- Verlängerungsstange
- Universalverbindung
- Einsatzadapter
- Verschiedene Arten von Makita-Originalakkus und -Ladegeräten

HINWEIS:

- Einige der in der Liste aufgeführten Elemente sind dem Werkzeugpaket als Standardzubehör beigelegt. Diese können in den einzelnen Ländern voneinander abweichen.

Schallpegel

ENG905-1

Typischer A-bewerteter Schallpegel nach EN62841:

- Schalldruckpegel (L_{pA}): 88 dB (A)
- Schallleistungspegel (L_{WA}): 99 dB (A)
- Abweichung (K): 3 dB (A)

ENG907-1

- Der (Die) angegebene(n) Schallemissionswert(e) wurde(n) im Einklang mit der Standardprüfmethode gemessen und kann (können) für den Vergleich zwischen Werkzeugen herangezogen werden.
- Der (Die) angegebene(n) Schallemissionswert(e) kann (können) auch für eine Vorbewertung des Gefährdungsgrads verwendet werden.

⚠️ WARNUNG:

- **Einen Gehörschutz tragen.**
- **Die Schallemission während der tatsächlichen Benutzung des Elektrowerkzeugs kann je nach der Benutzungsweise des Werkzeugs, und speziell je nach der Art des bearbeiteten Werkstücks, von dem (den) angegebenen Wert(en) abweichen.**
- **Identifizieren Sie Sicherheitsmaßnahmen zum Schutz des Benutzers anhand einer Schätzung des Gefährdungsgrads unter den tatsächlichen Benutzungsbedingungen (unter Berücksichtigung aller Phasen des Arbeitszyklus, wie z. B. Ausschalt- und Leerlaufzeiten des Werkzeugs zusätzlich zur Betriebszeit).**

Schwingung

ENG900-1

Schwingungsgesamtwerte (Vektorsumme dreier Achsen) nach EN62841:

Modell DTL062

Arbeitsmodus: Schlagschrauben von Befestigungsmitteln bei maximaler Leistung des Werkzeugs
Schwingungsbelastung (a_h): 14,5 m/s²
Abweichung (K): 2,0 m/s²

Modell DTL063

Arbeitsmodus: Schlagschrauben von Befestigungsmitteln bei maximaler Leistung des Werkzeugs
Schwingungsbelastung (a_h): 16,5 m/s²
Abweichung (K): 2,0 m/s²

ENG901-2

- Der (Die) angegebene(n) Vibrationsgesamtwert(e) wurde(n) im Einklang mit der Standardprüfmethode gemessen und kann (können) für den Vergleich zwischen Werkzeugen herangezogen werden.
- Der (Die) angegebene(n) Vibrationsgesamtwert(e) kann (können) auch für eine Vorbewertung des Gefährdungsgrads verwendet werden.

⚠️ WARNUNG:

- **Die Vibrationsemission während der tatsächlichen Benutzung des Elektrowerkzeugs kann je nach der Benutzungsweise des Werkzeugs, und speziell je nach der Art des bearbeiteten Werkstücks, von dem (den) angegebenen Emissionswert(en) abweichen.**
- **Identifizieren Sie Sicherheitsmaßnahmen zum Schutz des Benutzers anhand einer Schätzung des Gefährdungsgrads unter den tatsächlichen Benutzungsbedingungen (unter Berücksichtigung aller Phasen des Arbeitszyklus, wie z. B. Ausschalt- und Leerlaufzeiten des Werkzeugs zusätzlich zur Betriebszeit).**

EG-Konformitätserklärung

Nur für europäische Länder

Die EG-Konformitätserklärung liegt dieser Betriebsanleitung als Anhang A bei.

ITALIANO (Istruzioni originali)

Spiegazione della vista generale

- | | | |
|---------------------------|---------------------------------------|----------------------------------|
| 1. Indicatore rosso | 9. Leva di inversione della rotazione | 17. Dente |
| 2. Pulsante | 10. Boccola | 18. Testa dritta |
| 3. Batteria | 11. Incudine | 19. Testa a cricchetto |
| 4. Contrassegno a stella | 12. Scanalatura | 20. Bullone standard |
| 5. Spie luminose | 13. Vite | 21. Coppia di serraggio |
| 6. Pulsante di controllo | 14. Gancio | 22. Coppia di serraggio corretta |
| 7. Leva dell'interruttore | 15. Bullone esagonale | 23. Tempo di serraggio (S) |
| 8. Lampada | 16. Testa angolare | 24. Bullone altamente tensile |

CARATTERISTICHE TECNICHE

Modello		DTL062	DTL063
Capacità	Bullone standard	M4 - M12	
	Bullone altamente tensile	M4 - M8	
Vite quadrata		9,5 mm	
Velocità a vuoto (min ⁻¹)		0 - 2.000	
Impulsi al minuto		0 - 3.000	
Coppia di serraggio max.		60 Nm	
Lunghezza totale		387 mm	
Peso netto		1,4 - 1,8 kg	1,4 - 2,0 kg
Tensione nominale		14,4 V CC	18 V CC

- Le caratteristiche tecniche riportate di seguito sono soggette a modifiche senza preavviso in virtù del nostro programma continuo di ricerca e sviluppo.
- Le caratteristiche tecniche possono differire da paese a paese.
- Il peso può variare in base agli accessori in uso, compresa la batteria. Le combinazioni più leggere e pesanti, in conformità alla procedura EPTA 01/2014, sono mostrate nella tabella.

Batteria e caricabatteria applicabili

Batteria	14,4 V CC Modello	BL1415N/BL1430/BL1430B/BL1440/BL1450/BL1460B
	18 V CC Modello	BL1815N/BL1820/BL1820B/BL1830/BL1830B/BL1840/ BL1840B/BL1850/BL1850B/BL1860B
Caricatore	DC18RC/DC18RD/DC18RE/DC18SD/DC18SE/DC18SF	

- Alcune delle batterie e dei caricabatterie elencati sopra potrebbero non essere disponibili a seconda della vostra regione di residenza.

ATTENZIONE:

- **Utilizzare solo le batterie e i caricabatterie elencati sopra.** L'uso di batterie e caricabatterie diversi può far sorgere il rischio di infortuni e/o incendi.


Uso previsto

ENE033-1

Questo utensile è progettato per l'avvitatura di viti in legno, metallo e plastica.

Avvertenze generali relative alla sicurezza dell'utensile elettrico

GEA010-2

 **AVVERTENZA:** Leggere tutte le avvertenze di sicurezza, le istruzioni, le illustrazioni e i dati tecnici forniti con il presente utensile elettrico. La mancata osservanza di tutte le istruzioni elencate di seguito potrebbe risultare in scosse elettriche, incendi e/o gravi lesioni personali.

Conservare tutte le avvertenze e le istruzioni come riferimento futuro.

Il termine "utensile elettrico" nelle avvertenze si riferisce sia all'utensile elettrico (cablato) nel funzionamento alimentato da rete elettrica che all'utensile elettrico (a batteria) nel funzionamento alimentato a batteria.

AVVERTENZE PER LA SICUREZZA DELL'AVVITATRICE AD IMPULSO A BATTERIA

GEB138-1

1. Tenere l'utensile elettrico per le sue superfici di impugnatura isolate, quando si intende eseguire un'operazione in cui un elemento di fissaggio potrebbe fare contatto con fili elettrici nascosti. Gli elementi di fissaggio che fanno contatto con un filo elettrico sotto tensione potrebbero mettere sotto tensione le parti metalliche esposte dell'utensile elettrico, e potrebbero dare una scossa elettrica all'operatore.
2. Indossare protezioni per le orecchie.
3. Prima dell'installazione, controllare con cura che la bussola a impatto non presenti segni di usura, spaccature o danni.
4. Tenere l'utensile ben fermo in mano.
5. Tenere le mani lontane dalle parti rotanti.
6. Accertarsi sempre di appoggiare i piedi saldamente.
Quando si intende utilizzare l'utensile in posizioni elevate, accertarsi sempre che non sia presente alcuna persona sotto.
7. La coppia di serraggio corretta potrebbe variare a seconda del tipo e delle dimensioni del bullone. Controllare la coppia con una chiave torsiometrica.

CONSERVARE LE PRESENTI ISTRUZIONI.

⚠ AVVERTENZA: NON lasciare che la comodità o la familiarità d'uso con il prodotto (acquisita con l'uso ripetuto) sostituiscano la stretta osservanza delle norme di sicurezza.

L'USO IMPROPRIO o la mancata osservanza delle norme di sicurezza riportate nel presente manuale di istruzioni potrebbero causare lesioni personali gravi.

ISTRUZIONI DI SICUREZZA IMPORTANTI PER LA CARTUCCIA DELLA BATTERIA

ENC007-12

1. Prima di utilizzare la batteria, leggere tutte le istruzioni e gli avvisi di sicurezza relativi a (1) caricabatteria, (2) batteria e (3) prodotto utilizzato con la batteria.
2. Non smontare la batteria.
3. Se il tempo di funzionamento è diventato eccessivamente breve, non utilizzare l'utensile. Potrebbero verificarsi surriscaldamenti, ustioni o esplosioni.
4. In caso di contatto dell'elettrolita della batteria con gli occhi, sciacquare con acqua fresca e rivolgersi immediatamente a un medico. Potrebbero verificarsi danni permanenti alla funzionalità visiva.
5. Non cortocircuitare la batteria:
 - (1) Non toccare i terminali della batteria con materiale in grado di condurre elettricità.

- (2) Evitare di conservare la batteria a contatto con oggetti metallici quali chiodi, monete e così via.
- (3) Non esporre le batterie all'acqua o alla pioggia.

Un cortocircuito può provocare un elevato flusso di corrente, surriscaldamento, ustioni o rotture.

6. Non conservare l'utensile e la batteria a una temperatura superiore a 50 °C.
7. Evitare di smaltire le batterie danneggiate o esaurite bruciandole. Se esposte al fuoco, le batterie possono esplodere.
8. Evitare di far cadere o di colpire la batteria.
9. Non utilizzare batterie danneggiate.
10. Le batterie a ioni di litio contenute sono soggette ai requisiti del regolamento sul trasporto di merci pericolose (Dangerous Goods Legislation). Per trasporti commerciali, ad esempio da parte di terzi o spedizionieri, è necessario osservare dei requisiti speciali sull'imballaggio e sull'etichetta. Per la preparazione dell'articolo da spedire, è richiesta la consulenza di un esperto in materiali pericolosi. Attenersi anche alle normative nazionali, che potrebbero essere più dettagliate. Nasstrare o coprire i contatti aperti e imballare la batteria in modo tale che non si possa muovere liberamente all'interno dell'imballaggio.
11. Attenersi alle normative della propria area geografica relative allo smaltimento delle batterie.
12. Utilizzare le batterie solo con i prodotti specificati da Makita. L'installazione delle batterie in prodotti non compatibili potrebbe causare incendi, calore eccessivo, esplosione o perdita di elettroliti.

CONSERVARE QUESTE ISTRUZIONI.

⚠ ATTENZIONE: Utilizzare solo batterie originali Makita.

L'utilizzo di batterie Makita non originali, o di batterie che siano state alterate, potrebbe risultare nello scoppio della batteria, causando incendi, lesioni personali e danni. Inoltre, ciò potrebbe invalidare la garanzia Makita per l'utensile e il caricabatterie Makita.

Suggerimenti per il prolungamento della durata della batteria

1. Caricare le batterie prima di scaricarle completamente.
Se si nota una diminuzione di potenza dell'utensile, interrompere il lavoro e ricaricare la batteria.
2. Non ricaricare una batteria già completamente carica.
In caso contrario, la durata operativa della batteria potrebbe ridursi.
3. Caricare la batteria in ambienti con temperatura compresa tra 10 °C e 40 °C. Prima di caricare una batteria surriscaldata, lasciarla raffreddare.
4. Caricare la batteria qualora non venga utilizzata per un lungo periodo (superiore a sei mesi).

DESCRIZIONE FUNZIONALE

ATTENZIONE:

- Accertarsi sempre che l'utensile sia spento e che la batteria sia stata rimossa prima di regolare o controllare le funzioni dell'utensile.

Installazione o rimozione della batteria (Fig. 1)

- Prima di installare o rimuovere la batteria occorre sempre spegnere l'utensile.
- Per rimuovere la batteria è sufficiente estrarla dall'utensile facendo scorrere il pulsante nella parte anteriore della batteria.
- Per installare la batteria, allineare la linguetta sulla batteria con la scanalatura nell'alloggiamento e farla scorrere in posizione. Inserire a fondo la batteria fino a quando si blocca in posizione con uno scatto. Se è visibile l'indicatore rosso sul lato superiore del pulsante significa che la batteria non è completamente inserita. Inserirla a fondo fino a quando l'indicatore rosso non è più visibile. In caso contrario potrebbe fuoriuscire accidentalmente dall'utensile e provocare danni all'operatore o a eventuali osservatori.
- Non forzare l'inserimento della batteria. Se la batteria non scorre agevolmente significa che la manovra di inserimento non è corretta.

Sistema di protezione della batteria (batteria agli ioni di litio con contrassegno a stella) (Fig. 2)

Le batterie agli ioni di litio con contrassegno a stella sono dotate di una sistema di protezione. Questo sistema interrompe automaticamente l'alimentazione dell'utensile per prolungare la durata della batteria.

L'utensile viene spento automaticamente durante l'uso se l'utensile stesso e/o la batteria vengono utilizzati in una delle condizioni riportate di seguito:

- Sovraccarico:

L'utensile viene utilizzato con modalità che provocano un anomalo assorbimento di corrente. In questa situazione occorre rilasciare l'interruttore di accensione dell'utensile e interrompere l'operazione che ha provocato il sovraccarico dell'utensile stesso. Azionare di nuovo l'interruttore di accensione per riavviare l'utensile.

Se l'utensile non sia avviato si è verificato un surriscaldamento della batteria. In questa situazione occorre far raffreddare la batteria prima di azionare nuovamente l'interruttore di accensione.

- Bassa tensione della batteria:

La capacità rimanente della batteria è troppo bassa e non consente di utilizzare l'utensile. In questo caso occorre rimuovere e ricaricare la batteria.

Indicazione della capacità residua della batteria

Solo per cartucce delle batterie dotate di indicatore (Fig. 3)

Premere il pulsante di controllo sulla cartuccia della batteria per indicare la carica residua della batteria. Gli indicatori luminosi si illuminano per alcuni secondi.

Spie luminose			Capacità residua
Accesa	Spenta	Lampeggiante	
			Dal 75% al 100%
			Dal 50% al 75%
			Dal 25% al 50%
			Dal 0% al 25%
			Caricare la batteria.
			Probabile malfunzionamento o della batteria.

NOTA:

- Il valore indicato potrebbe variare leggermente dalla capacità effettiva in base alle condizioni di utilizzo e alla temperatura ambientale.

Azionamento dell'interruttore

ATTENZIONE:

- Prima di inserire la batteria nell'utensile, controllare se l'interruttore funziona correttamente e ritorna alla posizione "SPENTO" una volta rilasciato. (Fig. 4) Per avviare l'attrezzo, è sufficiente premere la leva dell'interruttore. Per aumentare la velocità dell'attrezzo, aumentare la pressione sulla leva dell'interruttore. Per arrestarlo, rilasciare la leva d'inserimento.

Accensione della lampadina anteriore

ATTENZIONE:

- Non osservare direttamente la luce o la fonte luminosa. (Fig. 5)

Per accendere la lampada, azionare l'interruttore. La lampada rimane accesa fino a quando si tiene premuto l'interruttore. La lampadina si spegne automaticamente 10-15 secondi dopo aver rilasciato l'interruttore.

NOTA:

- Utilizzare un panno asciutto per pulire la lente della lampadina. Fare attenzione a non graffiare la lente della lampadina per evitare riduzioni dell'intensità luminosa.

Azionamento della leva di inversione della rotazione (Fig. 6)

Questo utensile è dotato di una leva di inversione che consente di modificare la direzione di rotazione. Premere la leva di inversione dal lato A se si desidera una rotazione in senso orario, dal lato B se si desidera una rotazione in senso antiorario.

Quando la leva di inversione si trova nella posizione centrale è impossibile azionare l'interruttore.

ATTENZIONE:

- Prima di azionare l'utensile, controllare sempre la direzione di rotazione impostata.

- Utilizzare la leva di inversione solo quando l'utensile è completamente fermo. Modificare la direzione di rotazione prima dell'arresto può danneggiare l'utensile.
- Se non si utilizza l'utensile, posizionare sempre la leva di inversione nella posizione centrale.

MONTAGGIO

ATTENZIONE:

- Prima di eseguire qualsiasi operazione sull'utensile, verificare sempre di averlo spento e di aver rimosso la batteria.

Selezione della boccola corretta

Utilizzare sempre la boccola di dimensioni corrette per i dadi e i bulloni. Se le dimensioni della boccola sono sbagliate la coppia di serraggio potrebbe essere imprecisa e incongruente e/o i dadi e i bulloni potrebbero essere danneggiati.

Installazione o rimozione della boccola (Fig. 7)

Per installare la boccola, inserirla nell'incudine dell'utensile fino a quando si blocca in posizione. Per rimuovere la boccola è sufficiente estrarla.

Gancio (opzionale)

ATTENZIONE:

- Durante l'installazione del gancio, serrare saldamente la vite. In caso contrario, l'utensile potrebbe rompersi o causare lesioni personali. (Fig. 8)

Il gancio è utile per appendere temporaneamente l'utensile.

Può essere installato su entrambi i lati dell'utensile. Per installare il gancio, inserirlo in una delle scanalature presenti su ambo i lati dell'alloggiamento dell'utensile e fissarlo con una vite. Per rimuovere il gancio, allentare la vite ed estrarlo.

Regolazione della testa angolare

La testa angolare può essere ruotata di 360° (8 posizioni a incrementi di 45 gradi). Per regolarla, allentare il bullone esagonale e rimuovere la testa angolare.

Regolare la testa angolare nella posizione desiderata e reinstallarla in modo tale che i denti dell'alloggiamento coincidano con le scanalature della testa angolare. Serrare quindi il bullone esagonale per fissare la testa angolare. (Fig. 9 e 10)

Testa diritta e testa a cricchetto (opzionale)

Le teste diritte e le teste a cricchetto sono disponibili come accessori opzionali per varie applicazioni d'uso. (Fig. 11 e 12)

USO

ATTENZIONE:

- Inserire la batteria completamente, fino a quando si blocca in posizione con uno scatto. Se l'area rossa del lato superiore del pulsante è ancora visibile, la batteria non è completamente inserita. Inserirla fino a quando l'area rossa non è più visibile. In

caso contrario la batteria può fuoriuscire accidentalmente e provocare lesioni all'operatore o a chi si trova nello spazio vicino.

Tenere saldamente l'utensile e posizionare la boccola sul dado o sul bullone. Accendere l'utensile e fissare per il corretto tempo di serraggio. (Fig. 13)

La coppia di fissaggio può differire a seconda del tipo e della dimensione del bullone, del materiale del pezzo in lavorazione da fissare, ecc. La relazione tra la coppia di serraggio e il tempo di serraggio è mostrata nelle figure. (Fig. 14 e 15)

NOTA:

- Tenere l'utensile puntato diritto verso il dado o il bullone.
- Una coppia di serraggio eccessiva potrebbe danneggiare il dado/bullone o la boccola. Prima di iniziare il lavoro, effettuare sempre una prova per determinare il corretto tempo di serraggio del dado o del bullone.
- Se si utilizza continuamente l'utensile fino al completo scaricamento della batteria, attendere 15 minuti prima di continuare a utilizzarlo con una nuova batteria.

La coppia di serraggio è influenzata da vari fattori, tra cui quelli indicati di seguito. Dopo il serraggio, controllare sempre la coppia con una chiave torsiometrica.

1. Quando la batteria è quasi completamente scarica, la tensione scende e la coppia di serraggio si riduce.
2. Punta dell'avvitatore o punta a tubo
 - Il non utilizzo della punta a tubo o della punta dell'avvitatore di dimensioni corrette provocherà una riduzione nella coppia di serraggio.
 - Una boccola consumata (nell'estremità esagonale o in quella quadrata) provocherà una riduzione nella coppia di serraggio.
3. Bullone
 - Anche se il coefficiente di coppia e la classe del bullone sono uguali, la coppia di serraggio corretta differisce secondo il diametro del bullone.
 - Anche se i diametri dei bulloni sono uguali, la coppia di serraggio corretta differisce secondo il coefficiente di coppia, la classe e la lunghezza del bullone.
4. L'utilizzo di un giunto universale o di una prolunga qualsiasi riduce la forza di serraggio dell'avvitatrice ad impulsi. Compensate fissando per un periodo di tempo più lungo.
5. La coppia è influenzata anche dal modo in cui si tiene l'utensile, dalla posizione di avvitatura o dal materiale da fissare.
6. L'uso dell'utensile a bassa velocità causa una riduzione della coppia di serraggio.

MANUTENZIONE

ATTENZIONE:

- Prima di effettuare controlli o operazioni di manutenzione, verificare sempre di aver spento l'utensile e di aver rimosso la batteria.
- Evitare assolutamente di usare benzina, diluenti, solventi, alcol o sostanze simili. In caso contrario, potrebbero verificarsi scoloriture, deformazioni o incrinature.

Per mantenere la SICUREZZA e l’AFFIDABILITÀ del prodotto, le riparazioni e qualsiasi altra operazione di manutenzione o regolazione devono essere eseguiti dai centri di assistenza autorizzati Makita utilizzando sempre parti di ricambio Makita.

ACCESSORI OPZIONALI

ATTENZIONE:

- Si consiglia l’uso dei seguenti accessori per l’utensile Makita descritto in questo manuale. L’uso di qualsiasi altro accessorio potrebbe provocare lesioni personali. Utilizzare gli accessori esclusivamente per l’uso dichiarato.

Per l’assistenza e per ulteriori informazioni sui tali accessori, rivolgersi al centro assistenza Makita di zona.

- Boccole
- Prolunga
- Giunto universale
- Adattatore per punta
- Diversi modelli di batterie e caricabatteria originali Makita

NOTA:

- Alcuni degli accessori elencati potrebbero essere inclusi nella confezione dell’utensile come accessori standard. Gli accessori standard possono differire da paese a paese.

Rumore

ENG905-1

Il tipico livello di rumore ponderato “A” è determinato in conformità con la norma EN62841:

Livello di pressione sonora (L_{pA}): 88 dB (A)

Livello di potenza sonora (L_{WA}): 99 dB (A)

Variazione (K): 3 dB (A)

ENG907-1

- Il valore o i valori dichiarati delle emissioni di rumori sono stati misurati in conformità a un metodo standard di verifica, e possono essere utilizzati per confrontare un utensile con un altro.
- Il valore o i valori dichiarati delle emissioni di rumori possono venire utilizzati anche per una valutazione preliminare dell’esposizione.

AVVERTENZA:

- **Indossare protezioni per le orecchie.**
- **L’emissione di rumori durante l’utilizzo effettivo dell’utensile elettrico può variare rispetto al valore o ai valori dichiarati, a seconda dei modi in cui viene utilizzato l’utensile e specialmente a seconda di che tipo di pezzo venga lavorato.**
- **Accertarsi di identificare misure di sicurezza per la protezione dell’operatore che siano basate su una stima dell’esposizione nelle condizioni effettive di utilizzo (tenendo conto di tutte le parti del ciclo operativo, ad esempio del numero di spegnimenti dell’utensile e di quando giri a vuoto, oltre al tempo di attivazione).**

Vibrazione

ENG900-1

Il valore totale delle vibrazioni (somma vettoriale triassiale) è determinato in conformità con la norma EN62841:

Modello DTL062

Modalità di lavoro: serraggio ad impulsi di chiodi della capacità massima dell’utensile

Emissione di vibrazioni (a_h): 14,5 m/s²

Variazione (K): 2,0 m/s²

Modello DTL063

Modalità di lavoro: serraggio ad impulsi di chiodi della capacità massima dell’utensile

Emissione di vibrazioni (a_h): 16,5 m/s²

Variazione (K): 2,0 m/s²

ENG901-2

- Il valore o i valori complessivi delle vibrazioni dichiarati sono stati misurati in conformità a un metodo standard di verifica, e possono essere utilizzati per confrontare un utensile con un altro.
- Il valore o i valori complessivi delle vibrazioni dichiarati possono venire utilizzati anche per una valutazione preliminare dell’esposizione.

AVVERTENZA:

- **L’emissione delle vibrazioni durante l’utilizzo effettivo dell’utensile elettrico può variare rispetto al valore o ai valori dichiarati, a seconda dei modi in cui viene utilizzato l’utensile, specialmente a seconda di che tipo di pezzo venga lavorato.**
- **Accertarsi di identificare misure di sicurezza per la protezione dell’operatore che siano basate su una stima dell’esposizione nelle condizioni effettive di utilizzo (tenendo conto di tutte le parti del ciclo operativo, ad esempio del numero di spegnimenti dell’utensile e di quando giri a vuoto, oltre al tempo di attivazione).**

Dichiarazione di conformità CE

Solo per i paesi europei

La dichiarazione di conformità CE è inclusa nell’Allegato A di questo manuale di istruzioni.

NEDERLANDS (Originele instructies)

Verklaring van algemene gegevens

1. Rode deel	9. Omkeerschakelaarknop	17. Tand
2. Knop	10. Dop	18. Rechte kop
3. Accu	11. Aambeeld	19. Ratelkop
4. Ster-merkteken	12. Groef	20. Standaardbout
5. Indicatorlampjes	13. Schroef	21. Draaikoppel
6. Testknop	14. Haak	22. Juiste draaikoppel
7. Aan/uit-schakelaar	15. 12.Zeskantbout	23. Draaitijd (sec)
8. Lamp	16. Haakse kop	24. Bout met grote treksterkte

TECHNISCHE GEGEVENS

Model		DTL062	DTL063
Vermogen	Standaardbout	M4 - M12	
	Bout met grote treksterkte	M4 - M8	
Dopaandrijfjas		9,5 mm	
Nullasttoerental (min ⁻¹)		0 - 2.000	
Slagen per minuut		0 - 3.000	
Max. draaikoppel		60 N•m	
Totale lengte		387 mm	
Netto gewicht		1,4 - 1,8 kg	1,4 - 2,0 kg
Nominale spanning		14,4 V gelijkstroom	18 V gelijkstroom

- Als gevolg van ons doorlopende onderzoeks- en ontwikkelingsprogramma, zijn de technische gegevens van dit gereedschap onderhevig aan veranderingen zonder voorafgaande kennisgeving.
- De technische gegevens kunnen van land tot land verschillen.
- Het gewicht kan verschillen afhankelijk van het/de hulpstuk(ken), waaronder de accu. De lichtste en zwaarste combinatie, volgens EPTA-Procedure 01/2014, worden vermeld in de tabel.

Geschikte accu en acculader

Accu	14,4V gelijkspanning Model	BL1415N/BL1430/BL1430B/BL1440/BL1450/BL1460B
	18 V gelijkspanning Model	BL1815N/BL1820/BL1820B/BL1830/BL1830B/BL1840/BL1840B/BL1850/BL1850B/BL1860B
Acculader		DC18RC/DC18RD/DC18RE/DC18SD/DC18SE/DC18SF

- Sommige van de bovenvermelde accu's en acculaders zijn mogelijk niet leverbaar, afhankelijk van het gebied waarin u woont.

WAARSCHUWING:

- **Gebruik uitsluitend de bovenvermelde accu's en acculaders.** Als u een andere accu of oplader gebruikt, kan dit leiden tot letsel en/of brand.

Gebruiksdoelinden


Het gereedschap is bedoeld voor schroeven in hout, metaal en kunststof.

ENE033-1

resulteren in brand, elektrische schokken en/of ernstig letsel.

Algemene veiligheids waarschuwingen voor elektrisch gereedschap

GEA010-2

 **WAARSCHUWING: Lees alle veiligheids waarschuwingen, aanwijzingen, afbeeldingen en technische gegevens behorend bij dit elektrische gereedschap aandachtig door.** Als u niet alle onderstaande aanwijzingen naleeft, kan dat

Bewaar alle waarschuwingen en instructies om in de toekomst te kunnen raadplegen.

De term "elektrisch gereedschap" in de veiligheidsvoorschriften duidt op gereedschappen die op stroom van het lichtnet werken (met snoer) of gereedschappen met een accu (snoerloos).

VEILIGHEIDSWAARSCHUWINGEN VOOR EEN ACCUSLAGMOERSLEUTEL

GEB138-1

1. Houd elektrisch gereedschap vast bij het geïsoleerde oppervlak van de handgrepen wanneer u werkt op plaatsen waar het bevestigingsmateriaal in aanraking kan komen met verborgen bedrading. Wanneer bevestigingsmaterialen in aanraking komen met onder spanning staande draden, zullen de niet-geïsoleerde metalen delen van het gereedschap onder spanning komen te staan zodat de gebruiker een elektrische schok kan krijgen.
2. Draag oorbeschermers.
3. Controleer de slagkop nauwkeurig op slijtage, scheuren of beschadiging alvorens deze op het gereedschap te monteren.
4. Houd het gereedschap stevig vast.
5. Houd uw handen uit de buurt van draaiende onderdelen.
6. Zorg ervoor dat u stevig staat op een vast ondergrond.
Bij gebruik van het gereedschap op een hoge plaats dient u ervoor te zorgen dat niemand beneden u aanwezig is.
7. Het juiste aandraaimoment kan verschillen afhankelijk van de soort en maat van de bout. Controleer het aandraaimoment met een momentsleutel.

BEWAAR DEZE VOORSCHRIFTEN.

⚠ WAARSCHUWING: Laat u NIET misleiden door een vals gevoel van comfort en bekendheid met het gereedschap (na veelvuldig gebruik) en neem alle veiligheidsvoorschriften van het betreffende gereedschap altijd strikt in acht.

VERKEERD GEBRUIK of het niet naleven van de veiligheidsvoorschriften in deze gebruiksaanwijzing kan leiden tot ernstige verwondingen.

BELANGRIJKE VEILIGHEIDSinSTRUCTIES VOOR EEN ACCU

ENC007-12

1. Alvorens de accu in gebruik te nemen, leest u eerst alle instructies en waarschuwingsofschriften op (1) de acculader, (2) de accu en (3) het apparaat waarin de accu wordt aangebracht.
2. Haal de accu niet uit elkaar.
3. Als de gebruikstijd aanzienlijk korter is geworden, stopt u onmiddellijk met het gebruik. Anders kan dit leiden tot kans op oververhitting, mogelijke brandwonden en zelfs een explosie.
4. Als de elektrolyt in uw ogen komt, wast u deze uit met schoon water en raadpleegt u onmiddellijk een arts. Dit kan leiden tot verlies van gezichtsvermogen.

5. Sluit de accu niet kort:
 - (1) Raak de accupolen niet aan met enig geleidend materiaal.
 - (2) Bewaar de accu niet op een plaats waar deze in aanraking kan komen met andere metalen voorwerpen, zoals spijkers, munten, enz.
 - (3) Stel de accu niet bloot aan water of regen. Kortsluiting van de accu kan leiden tot een hoge stroomsterkte, oververhitting, mogelijke brandwonden en zelfs een defect.
6. Bewaar het gereedschap en de accu niet op plaatsen waar de temperatuur kan oplopen tot 50 °C of hoger.
7. Werp de accu niet in een vuur, zelfs niet als deze al ernstig beschadigd of helemaal versleten is. De accu kan in een vuur exploderen.
8. Wees voorzichtig dat u de accu niet laat vallen of ergens tegenaan stoot.
9. Gebruik nooit een beschadigde accu.
10. De bijgeleverde lithium-ionbatterijen zijn onderhevig aan de vereisten in de wetgeving omtrent gevaarlijke stoffen.

Voor commercieel transport en dergelijke door derden en transporteurs moeten speciale vereisten ten aanzien van verpakking en etikettering worden nageleefd.

Als voorbereiding van het artikel dat wordt getransporteerd is het noodzakelijk een expert op het gebied van gevaarlijke stoffen te raadplegen. Houd u tevens aan mogelijk strengere nationale regelgeving. Blootliggende contactpunten moeten worden afgedekt met tape en de accu moet zodanig worden verpakt dat deze niet kan bewegen in de verpakking.

11. Neem de plaatselijke regelgeving met betrekking tot het weggooien van de accu in acht.
12. Gebruik de accu's uitsluitend met de apparaten opgegeven door Makita. Als de accu's worden geplaatst in niet-compatibele apparaten, kan dat leiden tot brand, buitensporige hitte, een explosie of lekkage van elektrolyt.

BEWAAR DEZE INSTRUCTIES.

⚠ LET OP: Gebruik uitsluitend originele Makita accu's.

Het gebruik van niet-originele accu's, of accu's die zijn gewijzigd, kan ertoe leiden dat de accu ontploft en brand, persoonlijk letsel en schade veroorzaakt. Ook vervalt daarmee de garantie van Makita op het gereedschap en de lader van Makita.

Tips voor een lange levensduur van de accu

1. Laad de accu op voordat deze volledig leeg is. Wanneer u merkt dat het gereedschap minder vermogen heeft, stopt u met het gebruik ervan en laadt u eerst de accu op.
2. Laad nooit een volledig opgeladen accu op. Te lang opladen verkort de levensduur van de accu.
3. Laad de accu op bij een omgevingstemperatuur van 10 °C tot 40 °C. Laat een warme accu eerst afkoelen voordat u deze oplaadt.

4. Als de accu gedurende een lange tijd (meer dan zes maanden) niet gebruikt, laadt u deze eerst op alvorens deze te gebruiken.

BESCHRIJVING VAN DE FUNCTIES

LET OP:

- Zorg ervoor dat het gereedschap is uitgeschakeld en dat de accu is verwijderd voordat u de werking van het gereedschap aanpast of controleert.

De accu aanbrengen en verwijderen (zie afb. 1)

- Schakel het gereedschap altijd uit voordat u de accu aanbrengt of verwijderd.
- Om de accu te verwijderen verschuift u de knop aan de voorkant van de accu en schuift u tegelijkertijd de accu van het gereedschap af.
- Om de accu aan te brengen lijnt u de lip op de accu uit met de groef in de behuizing en duwt u de accu op zijn plaats. Steek de accu zo ver mogelijk in het gereedschap tot u een klikgeluid hoort. Als u het rode deel aan de bovenkant van de knop kunt zien, is de accuadapter niet goed aangebracht. Breng de accuadapter zo ver mogelijk aan tot het rode deel niet meer zichtbaar is. Als u dit niet doet, kan de accu per ongeluk uit het gereedschap vallen en u of anderen in uw omgeving verwonden.
- Oefen geen grote kracht uit bij het aanbrengen van de accu. Als de accu niet gemakkelijk erin kan worden geschoven, wordt deze niet goed aangebracht.

Accubeveiligingssysteem (lithiumionaccu met een ster-merkteken) (zie afb. 2)

Lithiumionaccu's met een ster-merkteken zijn uitgerust met een beveiligingssysteem. Dit systeem schakelt automatisch de voeding naar het gereedschap uit om de levensduur van de accu te verlengen.

Het gereedschap zal tijdens gebruik automatisch stoppen wanneer het gereedschap en/of de accu zich in een van de volgende omstandigheden bevinden:

- Overbelasting:
Het gereedschap wordt gebruikt op een manier die ertoe leidt dat een abnormaal hoge stroomsterkte uit de accu wordt getrokken.
Laat in die situatie de aan/uit-schakelaar van het gereedschap los en stop het gebruik dat ertoe leidde dat het gereedschap overbelast werd. Knijp daarna opnieuw de aan/uit-schakelaar in om het gereedschap weer in te schakelen.
Als het gereedschap niet wordt ingeschakeld, is de accu oververhit. In die situatie laat u de accu eerst afkoelen voordat u opnieuw de aan/uit-schakelaar inknijpt.
- Lage accuspanning:
De resterende acculading is te laag en het gereedschap wordt niet ingeschakeld. Verwijder in die situatie de accu en laad hem op.

Aanduiding van de resterende acculading

Alleen voor accu's met indicatorlampjes (zie afb. 3)

Druk op de testknop op de accu om de resterende acculading te zien. De indicatorlampjes branden gedurende enkele seconden.

Indicatorlampjes			Resterende acculading
Brandt	Uit	Knippert	
			75% tot 100%
			50% tot 75%
			25% tot 50%
			0% tot 25%
			Laad de accu op.
			Er kan een storing in de accu zijn opgetreden.

OPMERKING:

- Afhankelijk van de gebruiksomstandigheden en de omgevingstemperatuur, is het mogelijk dat de aangegeven acculading verschilt van de werkelijke acculading.

Werking van de aan/uit-schakelaar

LET OP:

- Controleer altijd, voordat u de accu in het gereedschap steekt, of de aan/uit-schakelaar op de juiste manier schakelt en weer terugkeert naar de uit-stand nadat deze is losgelaten (zie afb. 4).

Om het gereedschap in te schakelen, knijpt u gewoon de schakelaar in. De snelheid van het gereedschap neemt toe naarmate u meer druk uitoefent op de schakelaar. Laat de schakelaar los om het gereedschap te stoppen.

De lamp op de voorkant inschakelen

LET OP:

- Kijk niet rechtstreeks in het licht of naar de bron van de lamp (zie afb. 5).

Knijp de aan/uit-schakelaar in om de lamp op de voorkant in te schakelen. De lamp blijft branden zolang u de aan/uit-schakelaar ingeknepen houdt. De lamp gaat 10 tot 15 seconden nadat de aan/uit-schakelaar is losgelaten automatisch uit.

OPMERKING:

- Gebruik een doek om het vuil van de lens van de lamp te vegen. Wees voorzichtig de lens van de lamp niet te bekrassen om de lichtopbrengst niet te verlagen.

Werking van de omkeerschakelaar (zie afb. 6)

Dit gereedschap is uitgerust met een omkeerschakelaar waarmee u de draairichting kunt omkeren. Druk op de

omkeerschakelaar vanaf kant A voor de draairichting rechtsom, of vanaf kant B voor de draairichting linksom. Wanneer de omkeerschakelaar in de middenstand staat, kunt u de aan/uit-schakelaar niet inknijpen.

LET OP:

- Controleer altijd de draairichting alvorens het gereedschap te gebruiken.
- Gebruik de omkeerschakelaar alleen nadat het gereedschap volledig tot stilstand is gekomen. Als u de draairichting verandert voordat het gereedschap volledig stilstaat, kan het gereedschap worden beschadigd.
- Als u het gereedschap niet gebruikt, zet u de omkeerschakelaar altijd in de middenstand.

ONDERDELEN AANBRENGEN/ VERWIJDEREN

LET OP:

- Controleer altijd of het gereedschap is uitgeschakeld en de accu is verwijderd alvorens enige werkzaamheden aan het gereedschap te verrichten.

De juiste dop kiezen

Gebruik altijd de juiste maat dop voor de bouten en moeren. Als een onjuiste maat dop wordt gebruikt, zal een onnauwkeurig en variërend draaikoppel en/of beschadiging van de bout of moer optreden.

De dop aanbrengen en verwijderen (zie afb. 7)

Om de dop aan te brengen, duwt u deze op het aambeeld van het gereedschap tot deze op zijn plaats wordt vergrendeld.

Om de dop te verwijderen, trekt u deze er eenvoudigweg af.

Haak (accessoire)

LET OP:

- Draai bij het bevestigen van de haak de schroef goed vast. Als u dit niet doet, kan dit leiden tot stukgaan van het gereedschap of persoonlijk letsel (zie afb. 8).

De haak is handig om het gereedschap tijdelijk aan op te hangen.

De haak kan aan beide kanten van het gereedschap worden bevestigd.

U bevestigt de haak door deze in een groef in de behuizing van het gereedschap te steken en vast te zetten met een schroef.

Om de haak te verwijderen, draait u de schroef los en haalt u de haak van het gereedschap af.

De haakse kop afstellen

De haakse kop kan 360° worden gedraaid (8 standen in stappen van 45°). Om de haakse kop te draaien, draait u de zeskantbout los en verwijdert u de haakse kop.

Houd de haakse kop in de gewenste stand en bevestig deze weer op het gereedschap zodanig dat de tanden op de behuizing uitgelijnd zijn met de groeven in de haakse kop. Draai daarna de zeskantbout vast om de haakse kop vast te zetten (zie afb. 9 en 10).

Rechte kop en ratelkop (optionele accessoires)

Een rechte kop en een ratelkop zijn los verkrijgbaar als optionele accessoires voor diverse toepassingen tijdens het werk (zie afb. 11 en 12).

BEDIENING

LET OP:

- Steek de accu altijd zo ver mogelijk in het gereedschap totdat deze met een klik wordt vergrendeld. Als u het rode deel aan de bovenkant van de knop kunt zien, is de accu niet goed aangebracht. Steek de accu zo ver mogelijk erin tot het rode deel niet meer zichtbaar is. Als u dit niet doet, kan de accu per ongeluk uit het gereedschap vallen en u of anderen in uw omgeving verwonden.

Houd het gereedschap stevig vast en plaats de dop over de bout of moer. Schakel het gereedschap in en draai de bout of moer vast gedurende de juiste draaitijd (zie afb. 13).

Het juiste draaikoppel kan verschillen afhankelijk van het soort en de grootte van de bout, het materiaal van het werkstuk waarin wordt gedraaid, enz. De relatie tussen het draaikoppel en de draaitijd wordt aangegeven in de afbeeldingen (zie afb. 14 en 15).

OPMERKING:

- Houd het gereedschap recht op de bout of moer.
- Een buitensporig hoog draaikoppel kan de bout of moer en/of dop beschadigen. Voordat u de werkzaamheden begint, voert u altijd een testbediening uit om de juiste draaitijd voor de bout of moer te bepalen.
- Als het gereedschap continu wordt bediend totdat de accu leeg is, laat u het gereedschap gedurende 15 minuten liggen alvorens verder te werken met een volle accu.

Het draaikoppel wordt beïnvloed door een groot aantal factoren, waaronder de onderstaande. Controleer na het bevestigen altijd het draaikoppel met een momentsleutel.

1. Wanneer de accu bijna helemaal leeg is, zal de spanning afnemen en het draaikoppel lager worden.
2. Schroefbit op dopbit
 - Als niet de juiste maat schroefbit of dopbit wordt gebruikt, zal het draaikoppel lager worden.
 - Als een versleten dop (slijtage van het zeskante of vierkante uiteinde) wordt gebruikt, zal het draaikoppel lager worden.
3. Bout
 - Ondanks dat de koppelcoëfficiënt en de boutklasse hetzelfde zijn, zal het juiste draaikoppel verschillen afhankelijk van de diameter van de bout.
 - Ondanks dat de diameter van de bouten hetzelfde is, zal het juiste draaikoppel verschillen afhankelijk van de koppelcoëfficiënt, de boutklasse en de boutlengte.
4. Het gebruik van een universele haakse overbrenging of een verlengstuk verlaagt het draaikoppel van de slagsleutel enigszins. Compenseer hiervoor door een iets langere draaitijd te gebruiken.
5. De manier waarop het gereedschap wordt vastgehouden en het materiaal van de plaats waarin wordt geschroefd zijn van invloed op het draaikoppel.

6. Als het gereedschap op een laag toerental wordt gebruikt, zal het draaikoppel lager worden.

ONDERHOUD

LET OP:

- Zorg er altijd voor dat de machine is uitgeschakeld en de accu is verwijderd, voordat u een inspectie of onderhoud uitvoert.
- Gebruik nooit benzine, wasbenzine, thinner, alcohol, enz. Dit kan leiden tot verkleuren, vervormen of barsten.

Om de VEILIGHEID en BETROUWBAARHEID van het gereedschap te handhaven, dienen alle reparaties, onderhoud en afstellingen te worden uitgevoerd door een erkend Makita-servicecentrum, en altijd met gebruikmaking van originele Makita-ervangingsonderdelen.

VERKRIJGBARE ACCESSOIRES

⚠ LET OP:

- Deze accessoires of hulpstukken worden aanbevolen voor gebruik met het Makita-gereedschap dat in deze gebruiksaanwijzing wordt beschreven. Het gebruik van andere accessoires of hulpstukken kan gevaar voor persoonlijk letsel opleveren. Gebruik de accessoires of hulpstukken uitsluitend voor de aangegeven gebruiksdoeleinden.

Mocht u meer informatie willen hebben over deze accessoires, dan kunt u contact opnemen met uw plaatselijke Makita-servicecentrum.

- Doppen
- Verlengstuk
- Universele haakse overbrenging
- Bitadapter
- Diverse types originele Makita-accu's en acculaders

OPMERKING:

- Sommige items op de lijst kunnen zijn inbegrepen in de doos van het gereedschap als standaard toebehoren. Zij kunnen van land tot land verschillen.

Geluid ENG905-1

De typische, A-gewogen geluidsniveaus zijn gemeten volgens EN62841:

- Geluidsrukniveau (L_{pA}): 88 dB (A)
- Geluidsvermogeniveau (L_{WA}): 99 dB (A)
- Onzekerheid (K): 3 dB (A)

ENG907-1

- De opgegeven geluidsemissiewaarde(n) is/zijn gemeten volgens een standaardtestmethode en kan/kunnen worden gebruikt om dit gereedschap te vergelijken met andere gereedschappen.
- De opgegeven geluidsemissiewaarde(n) kan/kunnen ook worden gebruikt voor een beoordeling vooraf van de blootstelling.

⚠ WAARSCHUWING:

- **Draag gehoorbescherming.**
- **De geluidsemissie tijdens het gebruik van het elektrisch gereedschap in de praktijk kan verschillen van de opgegeven waarde(n) afhankelijk van de manier waarop het gereedschap**

wordt gebruikt, met name van het soort werkstuk waarmee wordt gewerkt.

- **Zorg ervoor dat veiligheidsmaatregelen worden getroffen ter bescherming van de gebruiker die zijn gebaseerd op een schatting van de blootstelling onder praktijkomstandigheden (rekening houdend met alle fasen van de bedrijfscyclus, zoals de tijdsduur gedurende welke het gereedschap is uitgeschakeld en stationair draait, naast de ingeschakelde tijdsduur).**

Trillingen

ENG900-1

De totale trillingswaarde (triaxiale vectorsom) zoals vastgesteld volgens EN62841:

Model DTL062

Gebruikstoepassing: bevestigen met behulp van slagwerking van bevestigingsmiddelen tot de maximale capaciteit van het gereedschap
Trillingsemissie (a_h): 14,5 m/s²
Onzekerheid (K): 2,0 m/s²

Model DTL063

Gebruikstoepassing: bevestigen met behulp van slagwerking van bevestigingsmiddelen tot de maximale capaciteit van het gereedschap
Trillingsemissie (a_h): 16,5 m/s²
Onzekerheid (K): 2,0 m/s²

ENG901-2

- De totale trillingswaarde(n) is/zijn gemeten volgens een standaardtestmethode en kan/kunnen worden gebruikt om dit gereedschap te vergelijken met andere gereedschappen.
- De opgegeven totale trillingswaarde(n) kan/kunnen ook worden gebruikt voor een beoordeling vooraf van de blootstelling.

⚠ WAARSCHUWING:

- **De trillingsemissie tijdens het gebruik van het elektrisch gereedschap in de praktijk kan verschillen van de opgegeven waarde(n) afhankelijk van de manier waarop het gereedschap wordt gebruikt, met name van het soort werkstuk waarmee wordt gewerkt.**
- **Zorg ervoor dat veiligheidsmaatregelen worden getroffen ter bescherming van de gebruiker die zijn gebaseerd op een schatting van de blootstelling onder praktijkomstandigheden (rekening houdend met alle fasen van de bedrijfscyclus, zoals de tijdsduur gedurende welke het gereedschap is uitgeschakeld en stationair draait, naast de ingeschakelde tijdsduur).**

EU-verklaring van conformiteit

Alleen voor Europese landen

De EU-verklaring van conformiteit is opgenomen als Bijlage A in deze instructiehandleiding.

ESPAÑOL (Instrucciones originales)

Descripción y visión general

- | | | |
|---|--------------------------|---------------------------|
| 1. Indicador rojo | 10. Broca | 20. Perno estándar |
| 2. Botón | 11. Yunque | 21. Par de apriete |
| 3. Cartucho de la batería | 12. Canal de guía | 22. Par de apriete real |
| 4. Marca de estrella | 13. Tornillo | 23. Tiempo de apriete (S) |
| 5. Luces indicadoras | 14. Gancho | 24. Perno de alta tensión |
| 6. Botón de comprobación | 15. Tornillo hexagonal | |
| 7. Palanca del interruptor | 16. Cabezal angular | |
| 8. Lámpara | 17. Diente | |
| 9. Palanca del interruptor de inversión | 18. Cabezal recto | |
| | 19. Cabezal de trinquete | |

ESPECIFICACIONES

Modelo	DTL062	DTL063
Capacidades	Perno estándar	M4 - M12
	Perno de alta tensión	M4 - M8
Tornillo de cabeza cuadrada	9,5 mm	
Velocidad en vacío (mín^{-1})	0 - 2.000	
Impactos por minuto	0 - 3.000	
Par de apriete máx.	60 N•m	
Longitud total	387 mm	
Peso neto	1,4 - 1,8 kg	1,4 - 2,0 kg
Tensión nominal	CC de 14,4 V	CC de 18 V

- Debido a nuestro programa continuo de investigación y desarrollo, las especificaciones aquí descritas están sujetas a cambios sin previo aviso.
- Las especificaciones pueden ser diferentes de un país a otro.
- El peso puede diferir en función de los accesorios, incluyendo el cartucho de la batería. En la tabla se muestran la combinación más ligera y la más pesada, de acuerdo con el Procedimiento EPTA 01/2014.

Cargador y cartucho de la batería aplicable

Cartucho de la batería	CC de 14,4V Modelo	BL1415N/BL1430/BL1430B/BL1440/BL1450/BL1460B
	CC de 18V Modelo	BL1815N/BL1820/BL1820B/BL1830/BL1830B/BL1840/BL1840B/BL1850/BL1850B/BL1860B
Cargador	DC18RC/DC18RD/DC18RE/DC18SD/DC18SE/DC18SF	

- Es posible que algunos de los cartuchos de la batería y los cargadores que se muestran más arriba no estén disponibles, en función de su región de residencia.

ADVERTENCIA:

- **Utilice solo los cartuchos de la batería y los cargadores que se muestran más arriba.** El uso de cualquier otro cartucho de la batería y otros cargadores puede crear un riesgo de lesiones y/o incendio.

Uso previsto


Esta herramienta está diseñada para atornillar en madera, metal y plástico.

ENE033-1

abajo podrá resultar en una descarga eléctrica, un incendio y/o heridas graves.

Advertencias de seguridad para herramientas eléctricas en general

GEA010-2

 **ADVERTENCIA: Lea todas las advertencias de seguridad, instrucciones, ilustraciones y especificaciones provistas con esta herramienta eléctrica.** Si no sigue todas las instrucciones indicadas

Guarde todas las advertencias e instrucciones para futuras referencias.


El término "herramienta eléctrica" en las advertencias se refiere a su herramienta eléctrica de funcionamiento con conexión a la red eléctrica (con cable) o herramienta eléctrica de funcionamiento a batería (sin cable).

ADVERTENCIAS DE SEGURIDAD PARA LA LLAVE DE IMPACTO INALÁMBRICA

GEB138-1

1. Sujete la herramienta eléctrica por las superficies de asimiento aisladas cuando realice una operación en la que el tornillo pueda entrar en contacto con cableado oculto. El contacto del tornillo con un cable con corriente hará que la corriente circule por las partes metálicas expuestas de la herramienta eléctrica y podrá soltar una descarga eléctrica al operario.
2. Utilice protectores de oídos.
3. Compruebe el manguito de impacto con cuidado por si está desgastado, agrietado o dañado antes de instalarlo.
4. Sujete la herramienta firmemente.
5. Mantenga las manos alejadas de las partes giratorias.
6. Asegúrese siempre de apoyar los pies firmemente.
Asegúrese de que no haya nadie debajo cuando esté utilizando la herramienta en lugares altos.
7. El par de apriete apropiado podrá variar en función del tipo o tamaño del perno. Compruebe el par de apriete con una llave dinamométrica.

GUARDE ESTAS INSTRUCCIONES.

 **ADVERTENCIA:** NO deje que la comodidad o familiaridad con el producto (a base de utilizarlo repetidamente) sustituya la estricta observancia de las normas de seguridad para el producto en cuestión.

El MAL USO o el no seguir las normas de seguridad establecidas en este manual de instrucciones podrá ocasionar graves heridas personales.

INSTRUCCIONES DE SEGURIDAD IMPORTANTES PARA EL CARTUCHO DE BATERÍA

ENC007-12

1. Antes de utilizar el cartucho de la batería, lea todas las instrucciones y referencias de precaución que se encuentran en (1) el cargador de baterías, (2) la batería y (3) el producto que utiliza la batería.
2. No desmonte el cartucho de la batería.
3. Si el tiempo de funcionamiento es excesivamente corto, deje de utilizar la herramienta de inmediato. De lo contrario, existe el riesgo de sobrecalentamiento, quemaduras e incluso explosión.
4. Si se produce contacto ocular con electrolito, enjuáguese los ojos con agua limpia y acuda de urgencia al médico. Corre el riesgo de perder la visión.
5. No cortocircuite el cartucho de la batería:
 - (1) No toque los terminales con material conductor.

- (2) Evite guardar el cartucho de la batería en un recipiente con otros objetos metálicos, como clavos, monedas, etc.
- (3) No exponga el cartucho de la batería al agua o a la lluvia.

Un cortocircuito puede provocar un elevado flujo de corriente, sobrecalentamiento, quemaduras o incluso una avería.

6. No almacene la herramienta ni el cartucho de la batería en lugares donde la temperatura supere los 50 °C (122 °F).
7. No queme el cartucho de la batería aunque esté gravemente dañado o completamente gastado. El cartucho de la batería puede explotar si entra en contacto con fuego.
8. Procure que la batería no sufra golpes ni caídas.
9. No utilice una batería dañada.
10. Las baterías de litio-ion contenidas están sujetas a los requisitos de la Legislación para Materiales Peligrosos.


Para transportes comerciales, p.ej., por terceras personas y agentes de transportes, se deberán observar requisitos especiales para el empaquetado y etiquetado.

Para la preparación del artículo que se va a enviar, se requiere consultar con un experto en materiales peligrosos. Por favor, observe también la posibilidad de reglamentos nacionales más detallados.

Cubra con cinta aislante o enmascare los contactos expuestos y empaquete la batería de tal manera que no se pueda mover alrededor dentro del embalaje.

11. Siga las normativas locales relativas al desecho de la batería.
12. Utilice las baterías solo con los productos especificados por Makita. La instalación de las baterías en productos no compatibles puede provocar un incendio, un calor excesivo, una explosión o fuga de electrolitos.

GUARDE ESTAS INSTRUCCIONES.

 **PRECAUCIÓN:** Utilice solamente baterías genuinas de Makita.

La utilización de baterías no genuinas de Makita, o baterías que han sido alteradas, puede resultar en una explosión de la batería ocasionando incendios, heridas personales y daños. También anulará la garantía de Makita para la herramienta y el cargador de Makita.

Consejos para conseguir una mayor duración de la batería

1. Cargue la batería antes de que se descargue por completo.
Cuando observe que la herramienta tiene menos potencia, deje de utilizarla y cargue el cartucho de la batería.
2. No recargue nunca un cartucho de batería completamente cargado.
La sobrecarga acorta la vida útil de la batería.
3. Cargue el cartucho de la batería a una temperatura ambiente que oscile entre 10 °C y 40 °C (50 °F - 104 °F). Antes de cargar un cartucho de batería caliente, deje que se enfríe.

- Cargue el cartucho de la batería si no lo ha utilizado durante un período prolongado (más de seis meses).

DESCRIPCIÓN DEL FUNCIONAMIENTO

PRECAUCIÓN:

- Antes de ajustar o de comprobar la herramienta, asegúrese siempre de que está apagada y de que la batería ha sido extraída.

Instalación o extracción del cartucho de la batería (Fig. 1)

- Apague siempre la herramienta antes de instalar o extraer el cartucho de la batería.
- Para quitar el cartucho de la batería, mantenga pulsado el botón de la parte frontal del cartucho y retírelo.
- Para instalar el cartucho de la batería, alinee la lengüeta situada en el cartucho de la batería con la ranura del alojamiento e insértela. Insértela siempre completamente hasta que quede firmemente sujeta y se bloquee con un clic. Si puede ver el indicador rojo de la zona superior del botón, significa que el cartucho no está completamente bloqueado. Instálelo completamente hasta que el indicador rojo quede oculto. De lo contrario, el cartucho puede desprenderse accidentalmente de la herramienta y causar lesiones al operario o a alguna persona que se encuentre cerca.
- No haga fuerza al instalar el cartucho de la batería. Si no se inserta suavemente, significa que no lo está instalando correctamente.

Sistema de protección de la batería (batería de iones de litio con una marca de estrella) (Fig. 2)

Las baterías de iones de litio con una marca de estrella están equipadas con un sistema de protección. Este sistema corta automáticamente la alimentación a la herramienta para ampliar la duración de la batería. La herramienta se detendrá automáticamente durante el funcionamiento si la herramienta y/o la batería se someten a los siguientes estados.

- Sobrecarga:**
La herramienta se utiliza de una forma que hace que consuma una cantidad anómalamente alta de corriente.
En ese caso, suelte el interruptor disparador de la herramienta y detenga la aplicación que provocaba que la herramienta se sobrecargara. A continuación vuelva a accionar el interruptor disparador para reanudar las operaciones.
Si la herramienta no se pone en marcha, la batería se sobrecalienta. En ese caso, deje que la batería se enfríe antes de volver a accionar el interruptor disparador.
- Tensión de la batería baja:**
La capacidad restante de la batería es demasiado baja y la herramienta no funcionará. En ese caso, extraiga y recargue la batería.

Indicación de la capacidad restante de la batería

Solamente para cartuchos de batería con el indicador (Fig. 3)

Presione el botón de comprobación en el cartucho de batería para indicar la capacidad de batería restante. Las luces indicadoras se encienden durante unos segundos.

Luces indicadoras			Capacidad restante
Iluminada	Apagado	Parpadea	
■	□	◐	75% a 100%
■	■	■	50% a 75%
■	■	□	25% a 50%
■	□	□	0% a 25%
◐	□	□	Cargue la batería.
■	■	□	Es posible que la batería se haya averiado.
□	□	■	

NOTA:

- En función de las condiciones de uso y de la temperatura ambiente, la indicación puede diferir ligeramente de la capacidad real.

Acción del interruptor

PRECAUCIÓN:

- Antes de insertar el cartucho de la batería en la herramienta, asegúrese siempre de que la palanca del interruptor funciona como es debido y que vuelve a la posición "OFF" (apagado) al soltarla. (Fig. 4)

Para poner en marcha la herramienta, simplemente tire de la palanca del interruptor. La velocidad de la herramienta aumenta al incrementar la presión en la palanca del interruptor. Suelte la palanca del interruptor para detener la herramienta.

Encender la lámpara frontal

PRECAUCIÓN:

- No mire hacia la luz ni mire directamente hacia la fuente de luz. (Fig. 5)

Tire de la palanca del interruptor para encender la luz. La luz permanece encendida mientras se acciona la palanca del interruptor. La luz se apaga automáticamente entre 10 y 15 segundos después de soltar la palanca del interruptor.

NOTA:

- Utilice un paño seco para limpiar la suciedad del cristal de la lámpara. Procure no rayar el cristal de la lámpara, puesto que puede disminuir el grado de iluminación.

Funcionamiento del interruptor de inversión (Fig. 6)

Esta herramienta está provista de un interruptor de inversión para cambiar la dirección de giro. Apriete la palanca del interruptor de inversión por el lado A para obtener un giro a la derecha o por el lado B para girar a la izquierda.

Cuando la palanca del interruptor de inversión está en la posición neutral, la palanca del interruptor no se puede accionar.

PRECAUCIÓN:

- Antes de trabajar, compruebe siempre la dirección del giro.
- Utilice el interruptor de inversión sólo cuando la herramienta se haya detenido por completo, ya que, de lo contrario, la herramienta podría averiarse.
- Cuando no utilice la herramienta, coloque siempre la palanca del interruptor de inversión en la posición neutral.

MONTAJE

PRECAUCIÓN:

- Asegúrese siempre de apagar la herramienta y extraer el cartucho de la batería antes de intentar realizar cualquier tipo de operación en la herramienta.

Selección de la broca correcta

Utilice siempre el tamaño de broca correcto para los tornillos y tuercas. La elección de una broca del tamaño incorrecto puede tener como consecuencia un par de apriete inexacto o incompleto o dañar el tornillo o la tuerca.

Instalación o extracción de la broca (Fig. 7)

Para instalar la broca, insértela en el yunque de la herramienta hasta que encaje.

Para quitar la broca, tire de ella.

Gancho (accesorio)

PRECAUCIÓN:

- Cuando instale el gancho, apriete el tornillo firmemente. En caso contrario se puede causar la rotura de la herramienta o lesiones personales. (Fig. 8)

El gancho es útil para colgar la herramienta.

Puede instalarse en cualquier lado de la herramienta.

Para instalar el gancho, insértelo en una de las ranuras situadas a ambos lados de la herramienta y, a continuación, fíjelo con un tornillo.

Para extraerlo, afloje el tornillo y quítelo.

Ajuste del cabezal angular

El cabezal angular se puede ajustar 360° (8 posiciones en incrementos de 45 grados). Para ajustarlo, afloje el perno hexagonal y retire el cabezal angular.

Ajuste el cabezal angular en la posición deseada y vuelva a instalarlo de forma que los dientes de la carcasa coincidan con las ranuras del cabezal angular. A continuación apriete el perno hexagonal para fijar el cabezal angular. (Fig. 9 y 10)

Cabezal recto y cabezal de trinquete (accesorio)

Los cabezales rectos y los cabezales de trinquete están disponibles como accesorios opcionales para varias aplicaciones del trabajo. (Fig. 11 y 12)

MANEJO

PRECAUCIÓN:

- Inserte siempre el cartucho de la batería hasta que quede completamente sujeto. Si puede ver la parte roja de la zona superior del botón, significa que el cartucho no está completamente bloqueado. Insértelo completamente hasta que la parte roja quede oculta. De lo contrario, el cartucho puede desprenderse accidentalmente de la herramienta y causar lesiones al operario o a alguna persona que se encuentre cerca.

Sujete con fuerza la herramienta y coloque la broca sobre el tornillo o la tuerca. Encienda la herramienta y apriete durante el tiempo preciso. (Fig. 13)

El par de apriete adecuado puede variar dependiendo del tipo o tamaño del tornillo, el material de la pieza que se aprieta, etc. Las figuras muestra la relación entre el par de apriete y el tiempo de apriete. (Fig. 14 y 15)

NOTA:

- Sujete la herramienta apuntando de forma recta hacia el tornillo o tuerca.
- Un par de apriete excesivo puede dañar el tornillo/ tuerca o la broca. Antes de ponerse a trabajar, realice siempre una prueba para determinar el tiempo de apriete adecuado para el tornillo o la tuerca.
- Si la herramienta se utiliza continuamente hasta que el cartucho de la batería se descarga, deje reposar la herramienta durante 15 minutos antes de continuar con una batería cargada.

El par de apriete se ve afectado por una amplia variedad de factores, incluyendo los siguientes. Tras el apriete, compruebe siempre el par de apriete con una llave dinamométrica.

1. Cuando el cartucho de la batería esté descargado casi completamente, la tensión caerá y el par de apriete se reducirá.
2. Punta de atornillado o punta de vaso
 - Si no se utiliza la punta de atornillado o la punta de broca del tamaño correcto, el par de apriete se reducirá.
 - Una broca gastada (con desgaste en la cabeza hexagonal o cuadrada) provocará una reducción del par de apriete.
3. Perno
 - Aunque el coeficiente del par de apriete y la case del perno sean los mismos, el par de apriete real diferirá dependiendo del diámetro del perno.
 - Aunque los diámetros de los pernos sean los mismos, el par de apriete real diferirá dependiendo del coeficiente de apriete, de la clase de perno y de la longitud del perno.
4. El uso de la junta universal o la barra de extensión reduce ligeramente la fuerza de apriete de la llave de impacto. Compense este hecho prolongando la operación de apriete.

- La forma de sujetar la herramienta o la posición del material que se va a apretar afectará al par de torsión.
- El uso de la herramienta a baja velocidad causará una reducción del par de apriete.

MANTENIMIENTO

PRECAUCIÓN:

- Asegúrese de apagar siempre la herramienta y extraer el cartucho de la batería antes de intentar realizar cualquier trabajo de inspección o mantenimiento en ella.
- Nunca utilice gasolina, benceno, disolvente, alcohol o un producto similar. Se puede provocar una decoloración, una deformación o grietas.

Para conservar la SEGURIDAD y la FIABILIDAD del producto, los trabajos de reparación y otros trabajos de mantenimiento y ajuste deberán ser realizados en centros de servicio autorizados de Makita, utilizando siempre repuestos Makita.

ACCESORIOS OPCIONALES

PRECAUCIÓN:

- Se recomienda el uso de estos accesorios o complementos con la herramienta Makita especificada en este manual. El uso de otros accesorios o complementos puede conllevar el riesgo de ocasionar daños corporales. Utilice los accesorios o complementos solamente para su fin establecido.

Si necesita cualquier ayuda para obtener más información relativa a estos accesorios, pregunte a su centro de servicio Makita local.

- Brocas
- Barra de extensión
- Junta universal
- Adaptador para residuos
- Diversos tipos de baterías y cargadores originales de Makita

NOTA:

- Algunos elementos de la lista se pueden incluir en el paquete de la herramienta como accesorios estándar. Pueden ser diferentes de un país a otro.

Ruido ENG905-1

Niveles típicos de ruido ponderado A determinados conforme a EN62841:

- Nivel de presión de sonido (L_{pA}): 88 dB (A)
- Nivel de potencia de sonido (L_{WA}): 99 dB (A)
- Incertidumbre (K): 3 dB (A)

ENG907-1

- El valor (o los valores) de emisión de ruido declarado ha sido medido de acuerdo con un método de prueba estándar y se puede utilizar para comparar una herramienta con otra.
- El valor (o valores) de emisión de ruido declarado también se puede utilizar en una valoración preliminar de exposición.

ADVERTENCIA:

- Póngase protectores para oídos.
- La emisión de ruido durante la utilización real de la herramienta eléctrica puede variar del valor (o los

valores) de emisión declarado dependiendo de las formas en las que la herramienta sea utilizada, especialmente qué tipo de pieza de trabajo se procesa.

- Asegúrese de identificar medidas de seguridad para proteger al operario que estén basadas en una estimación de la exposición en las condiciones reales de utilización (teniendo en cuenta todas las partes del ciclo operativo como las veces cuando la herramienta está apagada y cuando está funcionando en vacío además del tiempo de gatillo).

Vibración

ENG900-1

Valor total de la vibración (suma de vectores triaxiales) determinado según el estándar EN62841:

Modelo DTL062

Modo de trabajo: apriete por impacto de tornillos de la máxima capacidad de la herramienta
Emisión de vibraciones (a_h): 14,5 m/s²
Incertidumbre (K): 2,0 m/s²

Modelo DTL063

Modo de trabajo: apriete por impacto de tornillos de la máxima capacidad de la herramienta
Emisión de vibraciones (a_h): 16,5 m/s²
Incertidumbre (K): 2,0 m/s²

ENG901-2

- El valor (o los valores) total de emisión de vibración declarado ha sido medido de acuerdo con un método de prueba estándar y se puede utilizar para comparar una herramienta con otra.
- El valor (o los valores) total de emisión de vibración declarado también se puede utilizar en una valoración preliminar de exposición.

ADVERTENCIA:

- La emisión de vibración durante la utilización real de la herramienta eléctrica puede variar del valor (o los valores) de emisión declarado dependiendo de las formas en las que la herramienta sea utilizada, especialmente qué tipo de pieza de trabajo se procesa.
- Asegúrese de identificar medidas de seguridad para proteger al operario que estén basadas en una estimación de la exposición en las condiciones reales de utilización (teniendo en cuenta todas las partes del ciclo operativo como las veces cuando la herramienta está apagada y cuando está funcionando en vacío además del tiempo de gatillo).

Declaración de conformidad de la CE

Sólo para países europeos

La Declaración de conformidad de la CE se incluye como Anexo A en este manual de instrucciones.

PORTUGUÊS (Instruções de origem)

Descrição geral

1. Indicador vermelho	9. Manipulo de mudança de rotação	17. Dente
2. Botão	10. Encaixe	18. Cabeça recta
3. Bateria	11. Bigorna	19. Cabeça de roquete
4. Marca de estrela	12. Encaixe	20. Parafuso padrão
5. Lâmpadas indicadoras	13. Parafuso	21. Força de aperto
6. Botão de verificação	14. Gancho	22. Força de aperto adequada
7. Alavanca do interruptor	15. Parafuso sextavado	23. Tempo de aperto (S)
8. Lâmpada	16. Cabeça de ângulo	24. Parafuso de elevada tracção

ESPECIFICAÇÕES

Modelo		DTL062	DTL063
Capacidades	Parafuso padrão	M4 - M12	
	Parafuso de elevada tracção	M4 - M8	
Ponta quadrada		9,5 mm	
Sem velocidade de rotação em carga (mín. ⁻¹)		0 - 2.000	
Impactos por minuto		0 - 3.000	
Força de aperto máxima		60 N•m	
Comprimento total		387 mm	
Peso líquido		1,4 - 1,8 kg	1,4 - 2,0 kg
Voltagem nominal		CC 14,4 V	CC 18 V

- Devido à pesquisa e desenvolvimento constantes, estas especificações estão sujeitas a alteração sem aviso prévio.
- Estas especificações podem diferir de país para país.
- O peso pode variar dependendo do(s) acessório(s), incluindo a bateria. A combinação mais leve e a mais pesada, de acordo com o procedimento EPTA 01/2014, são apresentadas na tabela.

Bateria e carregador aplicáveis

Bateria	D.C. 14,4V Modelo	BL1415N/BL1430/BL1430B/BL1440/BL1450/BL1460B
	D.C. 18V Modelo	BL1815N/BL1820/BL1820B/BL1830/BL1830B/BL1840/BL1840B/BL1850/BL1850B/BL1860B
Carregador		DC18RC/DC18RD/DC18RE/DC18SD/DC18SE/DC18SF

- Algumas baterias e carregadores indicados acima podem não estar disponíveis consoante a região de residência.


AVISO:

- **Utilize apenas os tipos de bateria e carregador indicados acima.** A utilização de qualquer outra bateria ou carregador pode criar um risco de ferimentos e/ou incêndios.

Utilização prevista ENE033-1
A ferramenta destina-se a aparafusar em madeira, metal e plástico.

Avisos gerais de segurança para ferramentas elétricas

GEA010-2

 **AVISO: Leia todos os avisos de segurança, instruções, ilustrações e especificações fornecidos com esta ferramenta elétrica.** O não cumprimento de todas as instruções indicadas em baixo pode resultar em choque elétrico, incêndio e/ou ferimentos graves.

Guarde todos os avisos e instruções para futuras referências.

O termo “ferramenta elétrica” nos avisos refere-se às ferramentas elétricas ligadas à corrente elétrica (com cabo) ou às ferramentas elétricas operadas por meio de bateria (sem cabo).

AVISOS DE SEGURANÇA DA CHAVE DE IMPACTO A BATERIA

GEB138-1

1. **Agarre na ferramenta elétrica pelas partes isoladas quando executa uma operação em que o parafuso possa entrar em contacto com fios ocultos.** O contacto dos parafusos com um fio com

- corrente poderá carregar as partes metálicas da ferramenta e causar choque elétrico no operador.
2. Use protetores auditivos.
 3. Verifique cuidadosamente o bocal de impacto quanto a desgaste, rachas ou danos antes da instalação.
 4. Segure a ferramenta firmemente.
 5. Mantenha as mãos afastadas das partes giratórias.
 6. Certifique-se sempre de que tem os pés bem assentes.
Certifique-se de que não está ninguém por baixo quando utilizar a ferramenta em locais altos.
 7. O binário de aperto adequado pode diferir, dependendo do tipo ou do tamanho do perno. Verifique o binário com uma chave de binário.

GUARDE ESTAS INSTRUÇÕES.

⚠ AVISO: NÃO permita que o conforto ou a familiaridade com o produto (adquirido com o uso repetido) substitua a adesão estrita às regras de segurança da ferramenta.

A MÁ INTERPRETAÇÃO ou o não seguimento das regras de segurança estabelecidas neste manual de instruções pode causar danos pessoais graves.

INSTRUÇÕES DE SEGURANÇA IMPORTANTES PARA A BATERIA

ENC007-12

1. Antes de utilizar a bateria, leias as instruções e chamadas de atenção sobre: (1) o carregador da bateria, (2) a bateria e (3) o produto que utiliza a bateria.
2. Não desmonte a bateria.
3. Se o tempo de utilização com a bateria se tornar demasiado curto, deve parar imediatamente. Se continuar, pode causar sobreaquecimento, incêndio e mesmo explosão.
4. Se o electrólito entrar em contacto com os olhos, enxágue-os com água limpa e consulte imediatamente um médico. Os riscos incluem perda de visão.
5. Não provoque um curto-circuito na bateria:
 - (1) Não deixe que quaisquer materiais condutores entrem em contacto com os terminais da bateria.
 - (2) Evite guardar a bateria juntamente com outros objectos de metal como pregos, moedas, etc.
 - (3) Não exponha a bateria a água ou chuva. Um curto-circuito na bateria pode criar uma grande carga eléctrica, sobreaquecimento, possíveis queimaduras e mesmo uma avaria.
6. Não guarde a ferramenta e a bateria em locais onde a temperatura possa atingir ou exceder 50°C (122°F).
7. Não incinere a bateria, nem mesmo se esta estiver irremediavelmente danificada ou completamente gasta. Pode explodir num incêndio.
8. Não a deixe cair e evite o choque com outros objectos.
9. Não utilize uma bateria danificada.

10. As baterias de íões de lítio contidas na ferramenta são sujeitas aos requisitos da DGL (Dangerous Goods Legislation - Legislação de bens perigosos).

Para o transporte comercial, por exemplo, por terceiros ou agentes de expedição, têm de ser observados os requisitos referentes à embalagem e etiquetagem.

Para preparação do artigo a ser expedido, é necessário consultar um perito em materiais perigosos. Tenha ainda em conta a possibilidade de existirem regulamentos nacionais mais detalhados. Coloque fita-cola ou tape os contactos abertos e embale a bateria de tal forma que não possa mover-se dentro da embalagem.

11. Siga os regulamentos locais relacionados com a eliminação da bateria.
12. Use as baterias apenas com os produtos especificados pela Makita. A instalação de baterias em produtos que não estão em conformidade pode resultar num incêndio, calor excessivo, explosão ou fuga de electrólito.

GUARDE ESTAS INSTRUÇÕES.

⚠ PRECAUÇÃO: Utilize apenas baterias genuínas da Makita.

A utilização de baterias não genuínas da Makita ou de baterias que foram alteradas, pode resultar no reabentamento da bateria provocando incêndios, ferimentos pessoais e danos. Além disso, anulará da garantia da Makita no que se refere à ferramenta e ao carregador Makita.

Sugestões para o máximo de tempo de vida da bateria

1. Não espere que a bateria se gaste completamente para voltar a carregá-la. Pare a ferramenta e carregue a bateria sempre que detectar um baixo nível de energia.
2. Nunca volte a carregar uma bateria já completamente carregada. O carregamento excessivo diminui o tempo de vida das baterias.
3. Carregue a bateria em locais onde a temperatura se situe entre 10°C e 40°C (50°F - 104°F). Se a bateria estiver quente, deixe-a arrefecer antes de iniciar o carregamento.
4. Carregue a bateria em caso de inatividade durante um longo período de tempo (mais de seis meses).

DESCRIÇÃO DO FUNCIONAMENTO

PRECAUÇÃO:

- Certifique-se sempre de que a ferramenta está desligada e a bateria foi removida antes de proceder a ajustamentos ou testar acessórios.

Inserir ou retirar a bateria (Fig. 1)

- Desligue sempre a ferramenta antes de instalar ou retirar a bateria.
- Para retirar a bateria, mantenha premido o botão na frente da bateria e puxe.

- Para colocar a bateria, alinhe a respectiva saliência com a calha do compartimento e encaixe-a suavemente. Insira-a completamente até fixar em posição com um clique. Se ainda estiver visível o indicador vermelho na parte superior do botão, não estará bem encaixada. Coloque-a completamente, até deixar de ver o indicador vermelho. Caso contrário, pode cair da ferramenta e causar ferimentos em si, ou em alguém que esteja perto de si.
- Não exerça força ao colocar a bateria. Se não encaixar facilmente é porque não está correctamente posicionada.

Sistema de protecção da bateria (Bateria de íões de lítio com uma marca de estrela) (Fig. 2)

As baterias de íões de lítio com uma marca de estrela estão equipadas com um sistema de protecção. Este sistema corta automaticamente a alimentação para prolongar a vida útil da bateria.









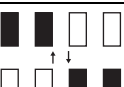
A ferramenta pára automaticamente durante o funcionamento quando a ferramenta e/ou bateria são colocadas numa das condições seguintes:

- Sobrecarregada:
A ferramenta é utilizada de tal forma que atrai uma corrente involuntariamente alta. Nesta situação, solte o gatilho da ferramenta e pare a aplicação que causou a sobrecarga. De seguida, prima novamente o gatilho para reiniciar. Se a ferramenta não ligar, a bateria está sobreaquecida. Nesta situação, deixe a bateria arrefecer antes de premir novamente o gatilho.
- Tensão baixa da bateria:
A carga restante da bateria é demasiado baixa e a ferramenta não funciona. Nesta situação, retire e recarregue a bateria.

Indicar a carga restante da bateria

Apenas para baterias com indicador (Fig. 3)

Prima o botão de verificação na bateria para indicar a capacidade restante da bateria. As luzes indicadoras acendem durante alguns segundos.

Lâmpadas indicadoras			Carga restante
 Acesa	 Apagada	 Intermitente	
			75% a 100%
			50% a 75%
			25% a 50%
			0% a 25%
			Carregue a bateria.
			A bateria pode ter avariado.

NOTA:

- Consoante as condições de utilização e a temperatura ambiente, a indicação pode ser ligeiramente diferente da carga real.

Ação do interruptor

PRECAUÇÃO:

- Antes de inserir a pilha na ferramenta, verifique se o gatilho está a funcionar correctamente e se volta à posição "OFF" quando o solta. (Fig. 4)

Para colocar a ferramenta em funcionamento, prima o gatilho. A velocidade da ferramenta aumenta com a pressão exercida no gatilho. Para parar a ferramenta, solte o gatilho.

Acender a lâmpada dianteira

PRECAUÇÃO:

- Não olhe directamente para a luz da ferramenta. (Fig. 5)

Para a acender, prima o gatilho. A lâmpada manter-se-á acesa enquanto o gatilho for premido. A luz apaga-se automaticamente após 10 a 15 segundos depois de o gatilho ser libertado.

NOTA:

- Para limpar a lâmpada, utilize um tecido seco. Tenha cuidado para não riscar a lente da lâmpada, pois poderia diminuir a intensidade da iluminação.

Inverter a direcção da rotação (Fig. 6)

Esta ferramenta tem um interruptor que permite inverter a direcção da rotação. Rode o interruptor a partir da posição A no sentido dos ponteiros do relógio, ou a partir da posição B no sentido contrário ao dos ponteiros do relógio.

Se o interruptor estiver na posição neutra, o gatilho não poderá ser premido.

PRECAUÇÃO:

- Verifique sempre a direcção da rotação antes da operação.
- Este interruptor deve ser utilizado apenas quando a ferramenta estiver completamente parada. Se alterar a direcção da rotação antes da ferramenta ter parado pode avariá-la.
- Quando a ferramenta não estiver a funcionar coloque o interruptor na posição neutra.

MONTAGEM

PRECAUÇÃO:

- Certifique-se sempre de que a ferramenta está desligada e a bateria removida, antes de efectuar qualquer operação com acessórios.

Seleccionar o encaixe correcto

Utilize sempre o encaixe do tamanho correcto para parafusos e porcas. Um encaixe de tamanho correcto resultará num binário de aperto impreciso e inconsistente e/ou danos no parafuso ou porca.

Instalar ou retirar o encaixe (Fig. 7)

Para instalar o encaixe, pressione-o na bigorna da ferramenta, até que fique preso.

Para retirar o encaixe, basta puxá-lo.

Gancho (Acessório)

PRECAUÇÃO:

- Quando instalar o gancho, aperte firmemente o parafuso. Se não o fizer, pode causar avarias na ferramenta ou danos pessoais. (Fig. 8)

O gancho é muito útil para pendurar a ferramenta quando necessário.

Pode ser instalado de qualquer dos lados.

Para instalar o gancho, insira-o numa das ranhuras do corpo da ferramenta, em qualquer dos lados e, em seguida, fixe-o com um parafuso.

Para o remover, basta desapertar o parafuso.

Ajustar a cabeça de ângulo

A cabeça de ângulo pode ser ajustada 360° (8 posições em incrementos de 45°). Para a ajustar, solte o parafuso sextavado e retire a cabeça de ângulo.

Ajuste a cabeça de ângulo na posição pretendida e instale-a novamente, de modo a que os dentes na cobertura correspondam às ranhuras na cabeça de ângulo. De seguida, aperte o parafuso sextavado para fixar a cabeça de ângulo. (Fig. 9 e 10)

Cabeça recta e cabeça de roquete (Acessório)

As cabeças rectas e de roquete estão disponíveis como acessórios opcionais para várias aplicações de utilização. (Fig. 11 e 12)

FUNCIONAMENTO

PRECAUÇÃO:

- Introduza sempre o cartucho da bateria até ao fundo, até que encaixe. Se ainda estiver visível a peça vermelha na parte superior do botão, não estará bem encaixada.

Insira-a completamente, até deixar de ver a peça vermelha. Caso contrário, pode cair da ferramenta e causar ferimentos em si, ou em alguém que esteja perto de si.

Segure bem na ferramenta e coloque o encaixe sobre o parafuso ou a porca. Ligue a ferramenta e aperte com o tempo de aperto adequado. (Fig. 13)

O binário de aperto correcto pode ser diferente consoante o tipo ou tamanho do parafuso, o material da peça de trabalho a apertar, etc. A relação entre o binário de aperto e o tempo de aperto é mostrado nas figuras. (Fig. 14 e 15)

NOTA:

- Segure a ferramenta apontada directamente ao parafuso ou porca.
- Um binário e aperto excessivo pode danificar o parafuso/porca ou encaixe. Ante de iniciar o seu trabalho, efectue sempre uma operação de teste para determinar o tempo de aperto correcto para o parafuso ou porca.
- Se mantiver a ferramenta a funcionar ininterruptamente até a bateria se gastar completamente, deixe-a em repouso durante 15 minutos antes de substituir a bateria.

A força de aperto é afectada por vários factores, incluindo os seguintes. Após apertar, verifique a força de aperto com uma chave dinamométrica.

1. Quando a bateria estiver quase descarregada por completo, a tensão diminuirá e a força de aperto será reduzida.
2. Ponta de aparafusamento ou encaixe da ponta
 - Se não usar uma ponta de aparafusamento ou encaixe de ponta de tamanho correcto, a força de aperto será diminuída.
 - Um encaixe desgastado (desgaste na extremidade sextavada ou na extremidade quadrada) reduzirá o binário de aperto.
3. Parafuso
 - Apesar do coeficiente da força e a classe do parafuso serem iguais, a força de aperto adequada difere de acordo com o diâmetro do parafuso.
 - Apesar dos diâmetros dos parafusos serem iguais, a força de aperto adequada difere de acordo com o coeficiente da força, da classe do parafuso e do seu comprimento.
4. A utilização da junta universal ou barra de extensão reduz, por vezes, o binário de aperto para a chave de percussão. Compense apertando durante um período mais longo.
5. A forma de segurar a ferramenta ou o material a ser apertado afectam a força de aperto.
6. Trabalhar com a ferramenta a baixa velocidade provoca uma redução na força de aperto.

MANUTENÇÃO

PRECAUÇÃO:

- Certifique-se sempre de que a ferramenta está desligada e a bateria removida antes de efectuar operações de inspecção ou de manutenção.
- Nunca utilize gasolina, benzina, diluente, álcool ou semelhante. Podem formar-se descolorações, deformações ou fissuras.

Para manter os níveis de SEGURANÇA e FIABILIDADE definidos para este produto, reparações, operações de manutenção ou ajustes devem ser executados por centros de assistência Makita autorizados e, no caso de substituição de peças, estas devem ser igualmente Makita.

ACESSÓRIOS OPCIONAIS

⚠ PRECAUÇÃO:

- Os seguintes acessórios ou extensões são os recomendados para utilizar com a ferramenta Makita especificada neste manual. A utilização de quaisquer outros acessórios poderá representar um risco de ferimento para as pessoas. Apenas utilize o acessório para o fim indicado.

Se precisar de informações adicionais relativas aos acessórios, contacte o centro local de assistência Makita.

- Encaixes
- Barra de extensão
- Junta universal
- Adaptador de ponta
- Vários tipos de baterias e carregadores Makita genuínos.

NOTA:

- Alguns itens na lista podem estar incluídos no pacote de ferramentas como acessórios de série. Podem diferir de país para país.

Ruído

ENG905-1

Os níveis acústicos ponderados A típicos foram determinados segundo a EN62841:

Nível de pressão sonora (L_{pA}): 88 dB(A)

Nível de potência sonora (L_{WA}): 99 dB(A)

Incerteza (K): 3 dB(A)

ENG907-1

- O(s) valor(es) da emissão de ruído indicado(s) foi medido de acordo com um método de teste padrão e pode ser utilizado para comparar duas ferramentas.
- O(s) valor(es) da emissão de ruído indicado(s) pode também ser utilizado na avaliação preliminar da exposição.

AVISO:

- **Utilize protetores auriculares.**
- **A emissão de ruído durante a utilização real da ferramenta elétrica pode diferir do(s) valor(es) indicado(s), dependendo das formas como a ferramenta é utilizada, especialmente o tipo de peça de trabalho que é processada.**
- **Certifique-se de identificar as medidas de segurança para proteção do operador que sejam baseadas em uma estimativa de exposição em condições reais de utilização (considerando todas as partes do ciclo de operação, tal como quando a ferramenta está desligada e quando está a funcionar em marcha lenta além do tempo de acionamento).**

Vibração

ENG900-1

O valor total da vibração (soma triaxial de vectores) foi determinado segundo a EN62841:

Modelo DTL062

Modo de trabalho: aperto de impacto de fixadores da capacidade máxima da ferramenta

Emissão de vibração (a_h): 14,5 m/s²

Incerteza (K): 2,0 m/s²

Modelo DTL063

Modo de trabalho: aperto de impacto de fixadores da capacidade máxima da ferramenta

Emissão de vibração (a_h): 16,5 m/s²

Incerteza (K): 2,0 m/s²

ENG901-2

- O(s) valor(es) total(ais) de vibração indicado(s) foi medido de acordo com um método de teste padrão e pode ser utilizado para comparar duas ferramentas.
- O(s) valor(es) total(ais) de vibração indicado(s) pode também ser utilizado na avaliação preliminar da exposição.

AVISO:

- **A emissão de vibração durante a utilização real da ferramenta elétrica pode diferir do(s) valor(es) indicado(s), dependendo das formas como a ferramenta é utilizada, especialmente o tipo de peça de trabalho que é processada.**
- **Certifique-se de identificar as medidas de segurança para proteção do operador que sejam baseadas em uma estimativa de exposição em condições reais de utilização (considerando todas**

as partes do ciclo de operação, tal como quando a ferramenta está desligada e quando está a funcionar em marcha lenta além do tempo de acionamento).

Declaração de conformidade CE

Apenas para os países europeus

A declaração de conformidade CE está incluída como Anexo A neste manual de instruções.

DANSK (Originalvejledning)

Forklaring til generel oversigt

1. Rød indikator	9. Skiftekontakthåndtag	17. Tand
2. Knap	10. Muffe	18. Lige hoved
3. Batteripakke	11. Ambolt	19. Skraldehoved
4. Stjernemærkning	12. Rille	20. Standardbolt
5. Indikatorlamper	13. Skrue	21. Strammingsmoment
6. Kontrolknap	14. Krog	22. Korrekt strammingsmoment
7. Kontakthåndtag	15. Sekskantskrue	23. Stramningstid (S)
8. Lampe	16. Vinkelhoved	24. Spænd og vrid-bolt

SPECIFIKATIONER

Model		DTL062	DTL063
Kapaciteter	Standardbolt	M4 - M12	
	Spænd og vrid-bolt	M4 - M8	
Firkantdrev		9,5 mm	
Hastighed uden belastning (min ⁻¹)		0 - 2.000	
Slag pr. minut		0 - 3.000	
Maks. strammingsmoment		60 N•m	
Længde i alt		387 mm	
Nettovægt		1,4 - 1,8 kg	1,4 - 2,0 kg
Nominel spænding		14,4 V DC	18 V DC

- På grund af vores løbende forsknings- og udviklingsprogram kan specifikationer heri ændres uden forudgående varsel.
- Specifikationer kan variere fra land til land.
- Vægten kan muligvis afvige afhængigt af tilbehøret, inklusive batteripakken. Den letteste og tungeste kombination, ifølge EPTA-procedure 01/2014, er vist i tabellen.

Anvendelig batteripakke og oplader

Batteripakke	14,4 V DC Model	BL1415N/BL1430/BL1430B/BL1440/BL1450/BL1460B
	18 V DC Model	BL1815N/BL1820/BL1820B/BL1830/BL1830B/BL1840/BL1840B/BL1850/BL1850B/BL1860B
Oplader		DC18RC/DC18RD/DC18RE/DC18SD/DC18SE/DC18SF

- Nogle af de ovennævnte batteripakker og opladere er muligvis ikke til rådighed, afhængigt af den region du bor i.

ADVARSEL:

- **Brug kun de ovennævnte batteripakker og opladere.** Brug af nogen andre batteripakker og opladere kan muligvis forårsage personskade og/eller brand.


Tilslået brug

ENE033-1

Værktøjet er beregnet til at skrue skrue i træ, metal og plastik.

Almindelige sikkerhedsregler for el-værktøj

GEA010-2

 **ADVARSEL: Læs alle de sikkerhedsadvarsler, instruktioner, illustrationer og specifikationer, der følger med denne maskine.** Forsømmelse af at overholde alle nedenstående instruktioner kan medføre elektrisk stød, brand og/eller alvorlig personskade.

Gem alle advarsler og instruktioner til fremtidig reference.

Ordet "el-værktøj" i advarslerne henviser til det netforsynede (netledning) el-værktøj eller batteriforsynede (akku) el-værktøj.

SIKKERHEDSADVARSLER FOR ELEKTRONISK AKKU SLAGNØGLE

GEB138-1

1. **Hold kun maskinen i de isolerede grebflader, når De udfører arbejde, hvor fastgøringsanordningen kan komme i kontakt med skjulte ledninger.**

Fastgørelsesanordninger, som kommer i kontakt med en strømførende ledning kan gøre uafdækkede metaldele på maskinen strømførende og give operatøren stød.

2. **Brug høreværn.**
3. **Kontrollér omhyggeligt slagtoppen for slitage, revner eller beskadigelse før montering.**
4. **Hold maskinen godt fast.**
5. **Hold hænderne væk fra roterende dele.**
6. **Sørg for at stå på et fast underlag.**
Sørg for at der ikke opholder sig personer under arbejdsområdet, når De arbejder i højden.
7. **Det korrekte tilspændingsmoment kan variere afhængigt af boltens type eller størrelse.**
Kontrollér tilspændingsmomentet med en momentnøgle.

GEM DENNE BRUGSANVISNING.

⚠ ADVARSEL: LAD IKKE bekvemmelighed eller kendskab til produktet (opnået gennem gentagen brug) forhindre, at sikkerhedsforskrifterne for produktet nøje overholdes.

MISBRUG eller forsømmelse af at følge de i denne brugsvejledning givne sikkerhedsforskrifter kan føre til, at De kommer alvorligt til skade.

VIGTIGE SIKKERHEDSINSTRUKTIONER FOR AKKUEN

ENC007-12

1. Før brugen af batteripakken skal du læse alle instruktioner og advarsler på (1) batteriopladeren, (2) batteriet og (3) det produkt, som batteriet anvendes i.
2. Skil ikke batteripakken ad.
3. Hvis driftstiden bliver betydeligt kortere, skal du straks ophøre med brugen. Brug kan medføre risiko for overophedning, risiko for forbrændinger eller endog eksplosion.
4. Hvis du får elektrolyt i øjnene, skal du med det samme rense øjnene med rent vand og søge læge. Dette kan medføre tab af synet.
5. Kortslut ikke batteripakken:
 - (1) Undgå at røre ved terminalerne med ledende materiale.
 - (2) Undgå at opbevare batteripakken i en beholder med andre metalgenstande som f.eks. søm, mønter osv.
 - (3) Udsæt ikke batteripakken for vand eller regn. Hvis batteriet kortsluttes, kan det medføre voldsom strøm, overophedning, mulige forbrændinger og endog nedbrud.
6. Undgå at opbevare værktøjet og batteripakken på steder, hvor temperaturen kan komme op på eller overstige 50°C.
7. Sæt ikke ild til batteripakken, selvom den er alvorligt beskadiget eller helt udtjent. Batteripakken kan eksplodere ved brand.
8. Undgå at tabe eller slå på batteriet.
9. Undlad brug af et beskadiget batteri.
10. De indbyggede litium-ion-batterier er underlagt lovkrav vedrørende farligt gods.

Ved kommerciel transport, f.eks. af tredjeparts transportselskaber, skal særlige krav til forpakning og mærkning overholdes.

Ved forberedelse af udstyret til forsendelse skal du kontakte en ekspert i farligt gods. Overhold også eventuel mere detaljeret national lovgivning.

Tape eller tildæk åbne kontakter, og pak batteriet på en måde, så det ikke kan flytte sig rundt i pakningen.

11. **Følg de lokale bestemmelser med hensyn til bortskaffelse af batteri.**
12. **Brug kun batterierne med de produkter, som er specificeret af Makita.** Monteres batterierne i produkter, som ikke er kompatible, kan det muligvis resultere i brand, kraftig varmeudvikling, eksplosion eller lækage af elektrolyt.

GEM DISSE INSTRUKTIONER.

⚠ FORSIGTIG: Brug kun originale batterier fra Makita.

Brug af uoriginale Makita-batterier, eller batterier som er blevet ændret, kan muligvis medføre brud på batteriet, hvilket kan forårsage brand, personskade eller beskadigelse. Det ugyldiggør også Makita-garantien for Makita-maskinen og opladeren.

Tips til, hvordan du forlænger batteriets levetid

1. **Oplad batteripakken, før den bliver helt afladet.** Ophør med at bruge værktøjet, og udskift batteripakken, hvis strømmen til værktøjet aftager.
2. **Oplad aldrig en fuldt opladet batteripakke.** Overopladning forkorter batteriets levetid.
3. **Oplad batteripakken ved stuetemperatur på 10°C - 40°C.** Lad batteripakken køle ned før den oplades, hvis den er varm.
4. **Oplad batteripakken, hvis du ikke skal anvende den i en længere periode (mere end seks måneder).**

FUNKTIONSBESKRIVELSE

FORSIGTIG:

- Sørg altid for, at værktøjet er slukket, og at batteripakken er taget ud, før De justerer værktøjet eller kontrollerer dets funktion.

Montering eller afmontering af batteripakken (Fig. 1)

- Sluk altid for maskinen inden montering eller afmontering af batteripakken.
- Afmonter batteripakken ved at holde ned på knappen foran på batteripakken og skubbe den af maskinen.
- Ved montering af batteripakken justeres tungen på batteripakken med rillen i huset, hvorefter pakken skubbes på plads. Sæt den altid hele vejen ind, indtil den låses på plads med et lille klik. Hvis den røde indikator øverst på knappen er synlig, er batteripakken ikke låst helt fast. Sæt den helt ind, indtil den røde indikator ikke er synlig. Ellers kan den falde ud af maskinen og skade dig eller andre personer i nærheden.
- Brug ikke magt ved montering af batteripakken. Hvis den ikke glider let ind, er den ikke indsat korrekt.

Batteribeskyttelsessystem (lithium-ion-batteri med stjernemærkning) (Fig. 2)

Lithium-ion-batterier med en stjernemærkning er udstyret med et beskyttelsessystem. Dette system slukker automatisk for strømmen til maskinen for at forlænge batterilevetiden.

Maskinen stopper automatisk under anvendelsen, hvis maskinen og/eller batteriet udsættes for en af de følgende situationer:

- **Overbelastning:**
Maskinen anvendes på en sådan måde, at det får den til at bruge unormalt meget strøm.
I denne situation skal du slippe afbryderkontakten på maskinen og stoppe den anvendelse, som gjorde maskinen overbelastet. Tryk derefter ind på afbryderkontakten for starte igen.
Hvis maskinen ikke starter, er batteriet overophedet. I denne situation skal du lade batteriet køle af, inden du trykke ind på afbryderkontakten igen.
- **Lav batterispænding:**
Den resterende batterikapacitet er for lav, og maskinen kan ikke køre. I denne situation skal du afmontere og oplade batteriet.

Angivelse af den resterende batterikapacitet

Kun til akkuer med indikatoren (Fig. 3)

Tryk på kontrolknappen på akkuen for at få vist den resterende batteriladning. Indikatorlamper lyser i nogle sekunder.

Indikatorlamper			Resterende kapacitet
Tændt	Slukket	Blinker	
			75% til 100%
			50% til 75%
			25% til 50%
			0% til 25%
			Oplad batteriet.
			Der opstod muligvis funktionsfejl på batteriet.

BEMÆRK:

- Afhængigt af anvendelsesforholdene og den omgivende temperatur, kan angivelsen muligvis afvige en smule fra den egentlige kapacitet.

Betjening af kontakt

FORSIGTIG:

- Før batteripakken sættes i værktøjet, skal De altid kontrollere, at kontakthåndtaget reagerer korrekt og vender tilbage i "OFF"-stillingen, når De slipper det. (Fig. 4)

For at starte værktøjet skal De blot trække i kontakthåndtaget. Værktøjets hastighed forøges ved at trykke hårdere på kontakthåndtaget. Slip kontakthåndtaget for at stoppe.

Tænding af lampen

FORSIGTIG:

- Se ikke direkte ind i lyset eller lyskilden. (Fig. 5)
Træk i kontakthåndtaget for at tænde lampen. Lampen forbliver tændt, så længe der trækkes i kontakthåndtaget. Lyset slukkes automatisk 10 – 15 sekunder efter, at kontakthåndtaget slippes.

BEMÆRK:

- Benyt en tør klud til at tørre snavs af lampens linse.
Pas på ikke at ridse lampens linse, da det kan mindske lyststyrken.

Betjening af skiftekontakten (Fig. 6)

Værktøjet har en skiftekontakt til at ændre rotationsretningen. Tryk skiftekontakten mod A-siden for rotation med uret eller mod B-siden for rotation mod uret. Når skiftekontakthåndtaget er i neutral stilling, kan kontakthåndtaget ikke trækkes ud.

FORSIGTIG:

- Kontroller altid rotationsretningen før anvendelsen.
- Betjen ikke skiftekontakten, før værktøjet er helt stoppet. Hvis rotationsretningen ændres, når værktøjet ikke er helt stoppet, kan det beskadige værktøjet.
- Sæt altid skiftekontakthåndtaget i neutral stilling, når værktøjet ikke anvendes.

MONTERING

FORSIGTIG:

- Sørg altid for, at værktøjet er slukket, og at batteripakken er taget ud, før De udfører nogen form for arbejde på værktøjet.

Valg af den rigtige muffe

Brug altid den rigtige muffestørrelse til bolte og møtrikker. En forkert muffestørrelse medfører forkert og inkonsekvent strammingsmoment og/eller beskadigelse af boltene eller møtrikken.

Montering eller afmontering af muffen (Fig. 7)

For at montere muffen skubbes den ned over ambolten på værktøjet, til den låses på plads.

For at fjerne muffen skal De blot trække den af.

Krog (tilbehør)

FORSIGTIG:

- Stram skruen helt til ved montering af krogen. Hvis De ikke gør dette, kan det medføre beskadigelse af værktøjet eller personskafe. (Fig. 8)

Krogen er nyttig til midlertidig ophængning af værktøjet. Den kan monteres i begge sider af værktøjet.

For at montere krogen indsættes den i en rille i værktøjet på en af siderne, hvorefter den fastgøres med en skruen. Den afmonteres ved at løsne skruen og tage den ud.

Indstilling af vinkelhovedet

Vinkelhovedet kan indstilles 360° (8 positioner i trin på 45 grader). For at indstille det skal De løse sekskantskruen og tage vinkelhovedet af. Indstil vinkelhovedet til den ønskede position, og monter det igen, så tænderne på kabinettet svarer til rillerne i vinkelhovedet. Stram derefter sekskantskruen til for at fastgøre vinkelhovedet. (Fig. 9 og 10)

Lige hoved og skraldehoved (tilbehør)

Lige hoveder og skraldehoveder fås som tilbehør til forskellige anvendelser på jobbet. (Fig. 11 og 12)

BETJENING

FORSIGTIG:

- Sæt altid batteripakken helt ind, indtil den låses på plads. Hvis den røde del øverst på knappen er synlig, er batteripakken ikke låst helt fast. Sæt den helt ind, indtil den røde del ikke er synlig. Ellers kan den falde ud af værktøjet og skade Dem eller andre personer i nærheden.

Hold godt fast i værktøjet, og placer muffen over boltene eller møtrikken. Tænd for værktøjet, og fastspænd i den korrekte fastspændingstid. (Fig. 13)

Det korrekte fastspændingsmoment kan variere afhængigt af boltens type eller størrelse, materialet af det arbejdsemne, der skal fastgøres, osv. Forholdet mellem fastspændingsmoment og fastspændingstid er vist i figureerne. (Fig. 14 og 15)

BEMÆRK:

- Hold værktøjet, så det vender rigtigt i forhold til boltene eller møtrikken.
- Hvis fastspændingsmomentet er for højt, kan det beskadige boltene/møtrikken eller muffen. Før De påbegynder arbejdet, skal De altid udføre en testkørsel for at bestemme den korrekte stramningstid for boltene eller møtrikken.
- Hvis værktøjet betjenes konstant, indtil batteripakken er afladet, skal De lade værktøjet hvile i 15 minutter, før De fortsætter med et nyt batteri.

Stramningsmomentet bestemmes af en lang række faktorer, der omfatter følgende. Kontroller altid momentet med en momentnøgle efter stramningen.

1. Når batteripakken er næsten helt afladet, mindskes spændingen, og stramningsmomentet reduceres.
2. Drevspids eller muffespids
 - Hvis De ikke anvender den rigtige størrelse drevspids eller muffespids, reduceres stramningsmomentet.
 - Hvis muffen er slidt (slid på den sekskantede eller firkantede ende) reduceres stramningsmomentet.
3. Bolt
 - Selvom momentkoefficienten og boltklassen er den samme, varierer det korrekte stramningsmoment afhængigt af boltens diameter.
 - Selvom boltens diameter er den samme, varierer det korrekte stramningsmoment af momentkoefficienten, boltklassen og boltens længde.
4. Brug af universalsamlingen eller forlængerstangen reducerer slagskrueogøglens fastspændingsmoment en smule. Kompenser for dette ved at stramme lidt længere tid.

5. Den måde, værktøjet holdes på, eller drevpositionen af det materiale, der skal fastgøres, påvirker momentet.
6. Hvis værktøjet betjenes ved lav hastighed, reduceres stramningsmomentet.

VEDLIGEHOLDELSE

FORSIGTIG:

- Sørg altid for, at værktøjet er slukket, og at batteripakken er taget ud, før De forsøger at udføre inspektion eller vedligeholdelse.
- Brug aldrig benzin, benzen, fortynder, alkohol eller lignende. Det kan muligvis medføre misfarvning, deformation eller revner.

For at holde produktet SIKKERT og PÅLIDELIGT skal reparationer samt al anden vedligeholdelse eller justering udføres af autoriserede Makita-servicecentre, og der skal altid benyttes Makita-reserve dele.

EKSTRAUDSTYR

⚠ FORSIGTIG:

- Dette tilbehør eller ekstraudstyr anbefales til brug med det Makita-værktøj, som er beskrevet i denne brugsanvisning. Brug af andet tilbehør eller ekstraudstyr kan forårsage personskade. Brug kun tilbehør eller ekstraudstyr til det formål, det er beregnet til.

Henvend dig til dit lokale Makita-servicecenter, hvis du har brug for hjælp eller yderligere oplysninger vedrørende tilbehøret.

- Muffer
- Forlængerstang
- Universalsamling
- Spidsadapter
- Forskellige typer af originale batterier og opladere fra Makita

BEMÆRK:

- Visse dele på listen er muligvis indeholdt maskinindpakningen som standardtilbehør. De kan variere fra land til land.

Støj

ENG905-1

Det typiske A-vægtede støjniveau bestemt i overensstemmelse med EN62841:

- Lydtryksniveau (L_{pA}): 88 dB (A)
- Lydeffektniveau (L_{WA}): 99 dB (A)
- Usikkerhed (K): 3 dB (A)

ENG907-1

- De(n) angivne støjemissionsværdi(er) er målt i overensstemmelse med en standardtestmetode og kan anvendes til at sammenligne en maskine med en anden.
- De(n) angivne støjemissionsværdi(er) kan også anvendes i en præliminær eksponeringsvurdering.

⚠ ADVARSEL:

- Bær høreværn.
- Støjemissionen under den faktiske anvendelse af maskinen kan være forskellig fra de(n) angivne værdi(er), afhængigt af den måde hvorpå maskinen

anvendes, især den type arbejdsemne der behandles.

- **Sørg for at identificere de sikkerhedsforskrifter til beskyttelse af operatøren, som er baseret på en vurdering af eksponering under de faktiske brugsforhold (med hensyntagen til alle dele i brugscyklussen, f.eks. de gange, hvor maskinen er slukket, og når den kører i tomgang i tilgift til afbrydertiden).**

Vibration ENG900-1

Den samlede vibrationsværdi (treaksial vektorsum) bestemt i overensstemmelse med EN62841:

Model DTL062

Arbejdstilstand: stramning med slag af fastgøringsmidler ved værktøjets maksimale kapacitet

Vibrationsemission (a_h): 14,5 m/s²

Usikkerhed (K): 2,0 m/s²

Model DTL063

Arbejdstilstand: stramning med slag af fastgøringsmidler ved værktøjets maksimale kapacitet

Vibrationsemission (a_h): 16,5 m/s²

Usikkerhed (K): 2,0 m/s²

ENG901-2

- De(n) angivne totalværdi(er) for vibration er målt i overensstemmelse med en standardtestmetode og kan anvendes til at sammenligne en maskine med en anden.
- De(n) angivne totalværdi(er) for vibration kan også anvendes i en præliminær eksponeringsvurdering.

 **ADVARSEL:**

- **Vibrationsemissionen under den faktiske anvendelse af maskinen kan være forskellig fra de(n) angivne værdi(er), afhængigt af den måde hvorpå maskinen anvendes, især den type arbejdsemne der behandles.**
- **Sørg for at identificere de sikkerhedsforskrifter til beskyttelse af operatøren, som er baseret på en vurdering af eksponering under de faktiske brugsforhold (med hensyntagen til alle dele i brugscyklussen, f.eks. de gange, hvor maskinen er slukket, og når den kører i tomgang i tilgift til afbrydertiden).**

EF-overensstemmelseserklæring

Kun for europæiske lande

EF-overensstemmelseserklæringen er inkluderet som appendiks A til denne betjeningsvejledning.

ΕΛΛΗΝΙΚΑ (Πρωτογενείς οδηγίες)

Περιγραφή γενικής όψης

1. Κόκκινη ένδειξη	9. Αναστροφικό	17. Δόντι
2. Κουμπί	10. Υποδοχή	18. Ευθεία κεφαλή
3. Μπαταρία	11. Αμόνι	19. Κεφαλή με κασάνια
4. Ένδειξη άστρου	12. Εγκοπτή	20. Τυπικό μπουλόνι
5. Ενδεικτικές λυχνίες	13. Βίδα	21. Ροπή σύσφιξης
6. Κουμπί ελέγχου	14. Γάντζος	22. Κατάλληλη ροπή σύσφιξης
7. Μοχλός-διακόπτης	15. Εξαγωνικό μπουλόνι	23. Χρόνος σύσφιξης (Δευτ.)
8. Λάμπα	16. Γωνιακή κεφαλή	24. Μπουλόνι υψηλής αντοχής

ΠΡΟΔΙΑΓΡΑΦΕΣ

Μοντέλο		DTL062	DTL063
Χωρητικότητα	Τυπικό μπουλόνι	M4 - M12	
	Μπουλόνι υψηλής αντοχής	M4 - M8	
Καρέ εφαρμογής		9,5 mm	
Ταχύτητα χωρίς φορτίο (λεπ. ⁻¹)		0 - 2.000	
Κρούσεις ανά λεπτό		0 - 3.000	
Μέγιστη ροπή σύσφιξης		60 N•m	
Ολικό μήκος		387 χιλ	
Καθαρό βάρος		1,4 - 1,8 κιλά	1,4 - 2,0 κιλά
Ονομαστική τιμή τάσης		D.C. 14,4 V	D.C. 18 V

- Λόγω του συνεχόμενου προγράμματος που εφαρμόζουμε για έρευνα και ανάπτυξη, τα τεχνικά χαρακτηριστικά στο παρόν έντυπο υπόκεινται σε αλλαγή χωρίς προειδοποίηση.
- Τα τεχνικά χαρακτηριστικά ενδέχεται να διαφέρουν ανάλογα με τη χώρα.
- Το βάρος μπορεί να διαφέρει αναλόγως του προσαρτήματος(ων), συμπεριλαμβανομένης της κασέτας μπαταρίας. Ο ελαφρύτερος και ο βαρύτερος συνδυασμός, σύμφωνα με τη Διαδικασία-EPTA 01/2014, εμφανίζονται στον πίνακα.

Ισχύουσα κασέτα μπαταρίας και φορτιστής

Κασέτα μπαταρίας	D.C. 14,4V Μοντέλο	BL1415N/BL1430/BL1430B/BL1440/BL1450/BL1460B
	D.C. 18V Μοντέλο	BL1815N/BL1820/BL1820B/BL1830/BL1830B/BL1840/BL1840B/BL1850/BL1850B/BL1860B
Φορτιστής	DC18RC/DC18RD/DC18RE/DC18SD/DC18SE/DC18SF	

- Μερικές από τις κασέτες μπαταριών και φορτιστές που παρατίθενται παρακάτω μπορεί να μην είναι διαθέσιμες ανάλογα με την περιοχή κατοικίας σας.

ΠΡΟΕΙΔΟΠΟΙΗΣΗ:

- **Χρησιμοποιήστε μόνο τις κασέτες μπαταριών και τους φορτιστές που παρατίθενται παρακάτω.** Η χρήση άλλων κασετών μπαταριών και φορτιστών μπορεί να προκαλέσει τραυματισμό ή/και φωτιά.


Προοριζόμενη χρήση

ENE033-1

Το εργαλείο προορίζεται για βίδωμα σε ξύλο, μέταλλο και πλαστικό.

Γενικές προειδοποιήσεις ασφαλείας για το ηλεκτρικό εργαλείο

GEA010-2

 **ΠΡΟΕΙΔΟΠΟΙΗΣΗ: Διαβάστε όλες τις προειδοποιήσεις ασφαλείας, οδηγίες, εικονογραφίες και προδιαγραφές που παρέχονται με αυτό το ηλεκτρικό εργαλείο.** Η μη τήρηση όλων των οδηγιών που αναγράφονται κατωτέρω μπορεί να καταλήξει σε ηλεκτροπληξία, πυρκαγιά ή/και σοβαρό τραυματισμό.

Φυλάξτε όλες τις προειδοποιήσεις και τις οδηγίες για μελλοντική παραπομπή.

Στις προειδοποιήσεις, ο όρος "ηλεκτρικό εργαλείο" αναφέρεται σε ηλεκτρικό εργαλείο που τροφοδοτείται από την κύρια παροχή ηλεκτρικού ρεύματος (με ηλεκτρικό καλώδιο) ή σε ηλεκτρικό εργαλείο που τροφοδοτείται από μπαταρία (χωρίς ηλεκτρικό καλώδιο).

ΠΡΟΕΙΔΟΠΟΙΗΣΕΙΣ ΑΣΦΑΛΕΙΑΣ ΓΙΑ ΤΟ ΚΡΟΥΣΤΙΚΟ ΚΛΕΙΔΙ ΜΠΑΤΑΡΙΑΣ

GEB138-1

1. Να κρατάτε το ηλεκτρικό εργαλείο από τις λαβές με μόνωση όταν εκτελείτε εργασίες κατά τις οποίες ο σύνδεσμος μπορεί να έρθει σε επαφή με κρυμμένα καλώδια. Αν ο σύνδεσμος έρθει σε επαφή με κάποιο ηλεκτροφόρο καλώδιο, μπορεί τα εκθεθειμένα μεταλλικά μέρη του ηλεκτρικού εργαλείου να γίνουν κι αυτά ηλεκτροφόρα και να προκληθεί ηλεκτροπληξία στο χειριστή.
2. Να φοράτε ωασιπίδες.
3. Ελέγχετε την κρουστική υποδοχή προσεκτικά για φθορά, ρωγμές ή ζημιές πριν την εγκατάσταση.
4. Να κρατάτε το εργαλείο σταθερά.
5. Μην πλησιάζετε τα χέρια σας σε περιστρεφόμενα μέρη.
6. Να βεβαιώνετε πάντα ότι στέκεστε σταθερά. Όταν χρησιμοποιείτε το εργαλείο σε υψηλές τοποθεσίες, να βεβαιώνετε ότι δεν βρίσκεται κανένας από κάτω.
7. Η κατάλληλη ροπή στερέωσης μπορεί να διαφέρει ανάλογα από το είδος ή το μέγεθος του μπουλονιού. Ελέγξτε τη ροπή με ένα ροπόκλειδο.

ΦΥΛΑΞΤΕ ΤΙΣ ΟΔΗΓΙΕΣ ΑΥΤΕΣ.

⚠ ΠΡΟΕΙΔΟΠΟΙΗΣΗ: ΜΗΝ επιτρέψετε στην άνεση ή στην εξοικειωσή σας με το προϊόν (που αποκτήθηκε από επανειλημμένη χρήση) να αντικαταστήσει την αυστηρή τήρηση των κανόνων ασφαλείας του παρόντος εργαλείου.
Η ΛΑΝΘΑΣΜΕΝΗ ΧΡΗΣΗ ή η αμέλεια να ακολουθήσετε τους κανόνες ασφαλείας που διατυπώνονται στο παρόν εγχειρίδιο οδηγιών μπορεί να προκαλέσει σοβαρό προσωπικό τραυματισμό.

ΣΗΜΑΝΤΙΚΕΣ ΟΔΗΓΙΕΣ ΑΣΦΑΛΕΙΑΣ ΓΙΑ ΚΑΣΕΤΑ ΜΠΑΤΑΡΙΩΝ

ENC007-12

1. Πριν χρησιμοποιήσετε την μπαταρία, διαβάστε όλες τις οδηγίες και τις ενδείξεις προφύλαξης στο (1) φορτιστή μπαταρίας, (2) την μπαταρία και (3) το προϊόν στο οποίο χρησιμοποιείται η μπαταρία.
2. Μην αποσυναρμολογείτε την μπαταρία.
3. Αν ο χρόνος λειτουργίας της μπαταρίας είναι υπερβολικά σύντομος, διακόψτε αμέσως τη λειτουργία. Αν συνεχίσετε, μπορεί να έχει ως αποτέλεσμα τον κίνδυνο υπερθέρμανσης, πιθανών εγκαυμάτων και ακόμη έκρηξης.
4. Αν μπει στα μάτια σας ηλεκτρολύτης, ξεπλύνετε με καθαρό νερό και αναζητήστε αμέσως ιατρική βοήθεια. Μπορεί να χάσετε την όρασή σας.
5. Μην βραχυκυκλώνετε την μπαταρία:
 - (1) Μην αγγίζετε τους ακροδέκτες με αγώγιμο υλικό.
 - (2) Μην αποθηκεύετε την μπαταρία σε δοχείο με άλλα μεταλλικά αντικείμενα, όπως καρφιά, νομίσματα, κτλ.
 - (3) Μην εκθέτετε την μπαταρία σε νερό ή βροχή.

- Αν βραχυκυκλωθεί η μπαταρία, μπορεί να προκληθεί μεγάλη ροή ηλεκτρικού ρεύματος, υπερθέρμανση, πιθανά εγκαύματα και ακόμη και καταστροφή της μπαταρίας.
6. Μην αποθηκεύετε το εργαλείο και την μπαταρία σε μέρος όπου η θερμοκρασία μπορεί να φτάσει ή να ξεπεράσει τους 50°C (122°F).
 7. Μην αποθεφώνετε την μπαταρία ακόμη κι αν παρουσιάζει σοβαρή ζημιά ή είναι εντελώς φθαρμένη. Η μπαταρία μπορεί να εκραγεί σε φωτιά.
 8. Να προσέχετε να μη σας πέσει η μπαταρία και να μη συγκρουστεί με κάποιο αντικείμενο.
 9. Μην χρησιμοποιείτε μια μπαταρία που έχει υποστεί βλάβη.
 10. Οι μπαταρίες ιόντων λιθίου που περιέχονται υπόκεινται στις απαιτήσεις της νομοθεσίας για επικίνδυνα αγαθά.
Για εμπορικές μεταφορές, για παράδειγμα από τρίτα μέρη, πρέπει να τηρούνται οι διαμεταφορές, οι ειδικές απαιτήσεις στη συσκευασία και η επισήμανση. Για προετοιμασία του στοιχείου που αποστέλλεται, είναι απαραίτητο να συμβουλευτείτε έναν ειδικό για επικίνδυνα υλικά. Επίσης, τηρήστε τους πιθανούς, πιο αναλυτικούς εθνικούς κανονισμούς.
Καλύψτε με αυτοκόλλητη ταινία ή κρύψτε τις ανοικτές επαφές και συσκευάστε την μπαταρία με τρόπο που να μην μπορεί να μετακινείται μέσα στη συσκευασία.
 11. Ακολουθήστε τους τοπικούς κανονισμούς σχετικά με την απόρριψη της μπαταρίας.
 12. Χρησιμοποιείτε τις μπαταρίες μόνο με τα προϊόντα που καθορίζει η Makita. Η τοποθέτηση των μπαταριών σε μη συμμορφούμενα προϊόντα μπορεί να προκαλέσει πυρκαγιά, υπερβολική ζέση, έκρηξη ή διαρροή ηλεκτρολύτη.

ΦΥΛΑΞΤΕ ΑΥΤΕΣ ΤΙΣ ΟΔΗΓΙΕΣ.

⚠ ΠΡΟΣΟΧΗ: Να χρησιμοποιείτε μόνο γνήσιες μπαταρίες της Makita.
Η χρήση μη γνήσιων μπαταριών Makita, ή μπαταριών που έχουν τροποποιηθεί, μπορεί να έχει ως αποτέλεσμα τη ρήξη της μπαταρίας, προκαλώντας πυρκαγιά, προσωπικό τραυματισμό και βλάβη. Επίσης, θα ακυρωθεί η εγγύηση της Makita για το εργαλείο και φορτιστή Makita.

Συμβουλές για τη διατήρηση της μέγιστης ζωής της μπαταρίας

1. Να φορτίζετε την μπαταρία πριν αποφορτιστεί εντελώς.
Πάντοτε να διακόπτετε τη λειτουργία του εργαλείου και να φορτίζετε την μπαταρία όταν παρατηρείται μειωμένη ισχύ του εργαλείου.
2. Ποτέ μην επαναφορτίζετε μια πλήρως φορτισμένη μπαταρία.
Αν υπερφορτίσετε την μπαταρία, μειώνεται η ωφέλιμη διάρκεια ζωής της.
3. Να φορτίζετε την μπαταρία σε θερμοκρασία δωματίου, δηλαδή στους 10°C έως 40°C (50°F έως 104°F). Αν η μπαταρία είναι θερμή, αφήστε την να ψυχθεί πριν τη φορτίσετε.
4. Φορτίστε την κασετα μπαταρίας εάν δεν πρόκειται να την χρησιμοποιήσετε για περισσότερους από έξι μήνες.

ΠΕΡΙΓΡΑΦΗ ΛΕΙΤΟΥΡΓΙΑΣ

ΠΡΟΣΟΧΗ:

- Να βεβαιώσετε πάντοτε ότι έχετε σβήσει το εργαλείο και έχετε βγάλει την μπαταρία πριν ρυθμίσετε ή ελέγξετε κάποια λειτουργία του εργαλείου.

Τοποθέτηση ή αφαίρεση της κασέτας μπαταρίας (Εικ. 1)

- Πάντοτε να απενεργοποιείτε το εργαλείο πριν από την τοποθέτηση ή την αφαίρεση της κασέτας μπαταρίας.
- Για να βγάλετε την κασέτα μπαταρίας, σύρετε την από το εργαλείο ολισθαίνοντας το κουμπί στο μπροστινό μέρος της κασέτας.
- Για να τοποθετήσετε την κασέτα μπαταρίας, ευθυγραμμίστε τη γλωττίδα της κασέτας μπαταρίας με την εγκοπή στο περίβλημα και ολισθήστε τη στη θέση της. Πάντοτε να την τοποθετείτε έως το τέρμα, δηλαδή έως ότου ασφαλίσει στη θέση και ακουστεί ένας χαρακτηριστικός ήχος “κλικ”. Αν μπορείτε να δείτε την κόκκινη ένδειξη στην πάνω πλευρά του κουμπιού, η μπαταρία δεν είναι πλήρως ασφαλισμένη. Τοποθετήστε την πλήρως για να μη φαίνεται η κόκκινη ένδειξη. Σε αντίθετη περίπτωση, μπορεί να πέσει κατά λάθος από το εργαλείο και να τραυματίσει εσάς ή κάποιον παρευρισκόμενο.
- Να μη χρησιμοποιείτε δύναμη όταν τοποθετείτε την κασέτα μπαταρίας. Αν η κασέτα δεν ολισθαίνει με ευκολία, δεν την εισήγατε σωστά.

Σύστημα προστασίας μπαταρίας (Μπαταρία ιόντων λιθίου με την ένδειξη άστρου) (Εικ. 2)

Οι μπαταρίες ιόντων λιθίου με ένδειξη άστρου είναι εφοδιασμένες με ένα σύστημα προστασίας. Αυτό το σύστημα διακόπτει αυτόματα το ρεύμα στο εργαλείο για να παρατηρείται η διάρκεια ζωής της μπαταρίας. Το εργαλείο θα σταματήσει αυτόματα κατά τη λειτουργία όταν το εργαλείο και/ή η μπαταρία υποστούν τις παρακάτω συνθήκες.

- Υπερφόρτιση:

Το εργαλείο λειτουργεί με τρόπο που προκαλεί την κατανάλωση ασυνήθιστα υψηλής ποσότητας ρεύματος.

Στην περίπτωση αυτή, ελευθερώστε το διακόπτη ενεργοποίησης του εργαλείου και σταματήστε την εφαρμογή που προκάλεσε την υπερφόρτωση του εργαλείου. Στη συνέχεια, τραβήξτε τη σκανδάλη ξανά για επανεκκίνηση.

Εάν το εργαλείο δεν ξεκινά, η μπαταρία έχει υπερθερμανθεί. Στην περίπτωση αυτή, αφήστε την μπαταρία να κρυώσει πριν τραβήξετε τη σκανδάλη ξανά.





















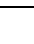



- Χαμηλή τάση της μπαταρίας:

Η εναπομένουσα ποσότητα ρεύματος της μπαταρίας είναι πολύ χαμηλή και το εργαλείο δεν θα λειτουργήσει. Σε αυτήν την περίπτωση, αφαιρέστε και επαναφορτίστε τη μπαταρία.

Ένδειξη της εναπομένουσας χωρητικότητας της μπαταρίας

Μόνο για κασέτες μπαταρίας με την ενδεικτική λυχνία (Εικ. 3)

Πιέστε το κουμπί ελέγχου στην κασέτα μπαταριών για να υποδείξετε την υπολειπόμενη χωρητικότητα μπαταρίας. Οι ενδεικτικές λυχνίες ανάβουν για λίγα δευτερόλεπτα.

Ενδεικτικές λυχνίες			Εναπομένουσα χωρητικότητα
 Αναμμένες	 Σβηστές	 Αναβοσβήνουν	
			75% έως 100%
			50% έως 75%
			25% έως 50%
			0% έως 25%
			Φορτίστε τη μπαταρία.
			Η μπαταρία μπορεί να δυσλειτουργεί.
			

ΣΗΜΕΙΩΣΗ:

- Ανάλογα με τις συνθήκες χρήσης και τη θερμοκρασία περιβάλλοντος, η ένδειξη μπορεί να διαφέρει ελαφρώς από την πραγματική χωρητικότητα.

Δράση διακόπτη

ΠΡΟΣΟΧΗ:

- Πριν βάζετε την μπαταρία στο εργαλείο, πάντοτε να ελέγχετε ότι ο μοχλός-διακόπτης ενεργοποιείται κανονικά και επιστρέφει στη θέση OFF όταν τον αφήνετε. (Εικ. 4)

Για να ξεκινήσετε το εργαλείο, απλώς τραβήξτε το μοχλό-διακόπτη. Αν αυξήσετε την πίεση στο μοχλό-διακόπτη, αυξάνεται η ταχύτητα του εργαλείου. Για να σταματήσετε το εργαλείο, αφήστε το μοχλό-διακόπτη.

Άναμμα της μπροστινής λάμπας

ΠΡΟΣΟΧΗ:

- Μην κοιτάτε κατευθείαν μέσα στο φως ή στην πηγή φωτός. (Εικ. 5)

Πιέστε το μοχλό-διακόπτη για να ανάψετε τη λάμπα. Η λάμπα εξακολουθεί να είναι αναμμένη όσο πιέζετε το μοχλό-διακόπτη. Η λάμπα σβήνει αυτόματα 10 έως 15 δευτερόλεπτα αφού αφήσετε το μοχλό-διακόπτη.

ΣΗΜΕΙΩΣΗ:

- Χρησιμοποιήστε ένα στεγνό πανί για να σκουπίσετε τη σκόνη από το φακό της λάμπας. Προσέχετε να μη γρατσουνίσετε το φακό της λάμπας, επειδή μπορεί να μειωθεί η ένταση του φωτισμού.

Δράση αναστροφικού (Εικ. 6)

Το εργαλείο αυτό διαθέτει αναστροφικό για να αλλάζετε την κατεύθυνση περιστροφής. Πατήστε το αναστροφικό

από την πλευρά Α για δεξιόστροφη περιστροφή ή από την πλευρά Β για αριστερόστροφη περιστροφή.

Όταν το αναστροφικό βρίσκεται στην ουδέτερη θέση, δεν μπορείτε να πατήσετε το μοχλό-διακόπτη.

ΠΡΟΣΟΧΗ:

- Πριν από τη λειτουργία, να ελέγχετε πάντοτε την κατεύθυνση περιστροφής.
- Να χρησιμοποιείτε το αναστροφικό μόνο όταν το εργαλείο είναι εντελώς ακινητοποιημένο. Αν αλλάξετε την κατεύθυνση περιστροφής πριν ακινητοποιηθεί το εργαλείο, μπορεί να προκληθεί βλάβη στο εργαλείο.
- Όταν δεν χειρίζεστε το εργαλείο, να βάζετε πάντοτε το αναστροφικό στην ουδέτερη θέση.

ΣΥΝΑΡΜΟΛΟΓΗΣΗ

ΠΡΟΣΟΧΗ:

- Να βεβαιώνετε πάντοτε ότι έχετε σβήσει το εργαλείο και έχετε βγάλει την μπαταρία πριν εκτελέσετε οποιαδήποτε εργασία σε αυτό.

Επιλογή της σωστής υποδοχής

Να χρησιμοποιείτε πάντοτε υποδοχή με σωστό μέγεθος για μπουλόνια και παξιμάδια. Μια υποδοχή με λανθασμένο μέγεθος θα έχει ως αποτέλεσμα την ανακριβή και ασυνεπή ροπή σύσφιξης ή/και την πρόκληση βλάβης στο μπουλόνι ή παξιμάδι.

Τοποθέτηση ή αφαίρεση υποδοχής

(Εικ. 7)

Για να τοποθετήσετε μια υποδοχή, ωθήστε τη μέσα στο αμόνι του εργαλείου έως ότου ασφαλίσει στη θέση της. Για να αφαιρέσετε την υποδοχή, απλά τραβήξτε τη.

Γάντζος (Αξεσουάρ)

ΠΡΟΣΟΧΗ:

- Κατά την εγκατάσταση του γάντζου, σφίξτε καλά τη βίδα. Εάν δεν το κάνετε αυτό μπορεί να προκληθεί βλάβη στο εργαλείο ή προσωπικός τραυματισμός. (Εικ. 8)

Ο γάντζος χρησιμεύει για το προσωρινό κρέμασμα του εργαλείου.

Μπορείτε να τον τοποθετήσετε σε οποιαδήποτε πλευρά του εργαλείου.

Για να τοποθετήσετε το γάντζο, βάλτε τον σε μια εγκοπή στο περίβλημα του εργαλείου σε οποιαδήποτε πλευρά του και κατόπιν ασφαλίστε τον με μια βίδα.

Για να τον βγάλετε, χαλαρώστε τη βίδα και κατόπιν αφαιρέστε τον.

Ρύθμιση της γωνίας της κεφαλής

Η γωνιακή κεφαλή μπορεί να ρυθμιστεί κατά 360° (8 θέσεις ανά διαστήματα 45-μοιρών). Για να τη ρυθμίσετε, χαλαρώστε το εξάγωνο μπουλόνι και αφαιρέστε τη γωνιακή κεφαλή.

Ρυθμίστε τη γωνιακή κεφαλή στην επιθυμητή θέση και επανατοποθετήστε την έτσι ώστε το δόντι στο περίβλημα να ταιριάζει με τις εγκοπές στην γωνιακή κεφαλή. Κατόπιν, σφίξτε το εξαγωνικό μπουλόνι για να ασφαλίσετε τη γωνιακή κεφαλή. (Εικ. 9 και 10)

Ευθεία κεφαλή και κεφαλή με καστάνια (Αξεσουάρ)

Ευθείες κεφαλές και κεφαλές με καστάνια είναι διαθέσιμες ως προαιρετικά εξαρτήματα για διάφορες εφαρμογές κατά την εργασία. (Εικ. 11 και 12)

ΛΕΙΤΟΥΡΓΙΑ

ΠΡΟΣΟΧΗ:

- Να εισάγετε πάντοτε την μπαταρία έως το τέρμα, μέχρι να ασφαλίσει στη θέση της. Αν φαίνεται το κόκκινο τμήμα στην άνω πλευρά του κουμπιού, η μπαταρία δεν είναι πλήρως ασφαλισμένη.

Εισάγετε την πλήρως για να μη φαίνεται το κόκκινο τμήμα. Σε αντίθετη περίπτωση, μπορεί να πέσει κατά λάθος από το εργαλείο και να τραυματίσει εσάς ή κάποιον παρευρισκόμενο.

Κρατήστε το εργαλείο σταθερά και τοποθετήστε την υποδοχή πάνω από το μπουλόνι ή παξιμάδι.

Ενεργοποιήστε το εργαλείο και συσφίξτε για το σωστό χρόνο σύσφιξης. (Εικ. 13)

Η σωστή ροπή σύσφιξης μπορεί να διαφέρει ανάλογα με το είδος και το μέγεθος του μπουλονιού, το υλικό του τεμαχίου εργασίας που θα συσφιχθεί, κτλ. Η σχέση μεταξύ της ροπής σύσφιξης και του χρόνου σύσφιξης εμφανίζεται στις εικόνες. (Εικ. 14 και 15)

ΣΗΜΕΙΩΣΗ:

- Να κρατάτε το εργαλείο σε ευθεία με το μπουλόνι ή το παξιμάδι.
- Η υπερβολική ροπή σύσφιξης μπορεί να προκαλέσει βλάβη στο μπουλόνι/παξιμάδι ή στην υποδοχή. Πριν αρχίσετε την εργασία σας, να διεξάγετε πάντοτε μια δοκιμή για να καθορίσετε το σωστό χρόνο σύσφιξης για το μπουλόνι ή το παξιμάδι σας.
- Αν το εργαλείο λειτουργεί συνεχόμενα έως ότου αποφορτιστεί η μπαταρία, αφήστε το εργαλείο βηστού για 15 λεπτά πριν συνεχίσετε την εργασία με καινούργια μπαταρία.

Η ροπή σύσφιξης επηρεάζεται από μια ευρεία ποικιλία παραγόντων συμπεριλαμβανομένων των ακόλουθων. Μετά από τη σύσφιξη, ελέγξτε πάντοτε τη ροπή με ένα κλειδί ροπής.

1. Όταν η μπαταρία αποφορτιστεί σχεδόν εντελώς, θα ελαττωθεί η τάση και η ροπή σύσφιξης θα μειωθεί.
2. Μύτη τρυπανιού ή μύτη υποδοχής
 - Αν δεν χρησιμοποιείτε μύτη τρυπανιού ή μύτη υποδοχής σωστού μεγέθους, θα προκληθεί μια μείωση της ροπής σύσφιξης.
 - Μια φθαμμένη υποδοχή (φθορά στο εξαγωνικό άκρο ή στο τετράγωνο άκρο) θα προκαλέσει μια μείωση στη ροπή σύσφιξης.
3. Μπουλόνι
 - Ακόμα κι αν ο συντελεστής ροπής και η κατηγορία μπουλονιού είναι οι ίδιοι, η κατάλληλη ροπή σύσφιξης θα διαφέρει σύμφωνα με τη διάμετρο του μπουλονιού.
 - Ακόμα κι αν οι διαμέτρους των μπουλονιών είναι οι ίδιοι, η κατάλληλη ροπή σύσφιξης θα διαφέρει σύμφωνα με τη διάμετρο του μπουλονιού, την κλάση του μπουλονιού και το μήκος του μπουλονιού.
4. Η χρήση μια σύνδεσης γενικής χρήσης ή ράβδου προέκτασης μειώνει σε κάποιο βαθμό τη δύναμη

σύσφιξης του παλμικού κατασαβιδιού. Αντισταθμίστε το γεγονός αυτό με σύσφιξη για μεγαλύτερη χρονική περίοδο.

5. Ο τρόπος του κρατήματος του εργαλείου ή του υλικού της θέσης βιδώματος που στερεώνεται θα επηρεάσει τη ροπή.
6. Η λειτουργία του εργαλείου σε χαμηλή ταχύτητα θα προκαλέσει τη μείωση της ροπής σύσφιξης.

ΣΥΝΤΗΡΗΣΗ

ΠΡΟΣΟΧΗ:

- Να βεβαιώνετε πάντοτε ότι έχετε σβήσει το εργαλείο και έχετε βγάλει την μπαταρία πριν εκτελέσετε οποιαδήποτε εργασία ελέγχου ή συντήρησης σε αυτό.
- Μην χρησιμοποιήσετε βενζίνη, βενζόλη, διαλυτικό, αλκοόλη ή κάτι παρόμοιο. Μπορεί να προκληθεί αποχρωματισμός, παραμόρφωση ή ρωγμές.

Για να διατηρείται η ΑΣΦΑΛΕΙΑ και η ΑΞΙΟΠΙΣΤΙΑ του προϊόντος, οι εργασίες επισκευής, καθώς και οποιαδήποτε άλλη εργασία συντήρησης ή ρύθμισης, θα πρέπει να εκτελούνται σε εξουσιοδοτημένα κέντρα εξυπηρέτησης της Makita, και πάντοτε με τη χρήση ανταλλακτικών της Makita.

ΠΡΟΑΙΡΕΤΙΚΑ ΑΞΕΣΟΥΑΡ

⚠️ ΠΡΟΣΟΧΗ:

- Συνιστάται η χρήση αυτών των αξεσουάρ ή εξαρτημάτων με το εργαλείο της Makita, όπως περιγράφεται στο παρόν εγχειρίδιο. Αν χρησιμοποιήσετε άλλα αξεσουάρ ή εξαρτήματα μπορεί να παρουσιαστεί κίνδυνος για πρόκληση τραυματισμού προσώπων. Να χρησιμοποιείτε τα αξεσουάρ και τα εξαρτήματα μόνο για το σκοπό για τον οποίο προορίζονται.

Αν χρειάζεστε κάποια βοήθεια ή περισσότερες πληροφορίες σχετικά με τα αξεσουάρ αυτά, απευθυνθείτε στο πλησιέστερο κέντρο εξυπηρέτησης της Makita.

- Υποδοχές
- Ράβδος προέκτασης
- Σύνδεση γενικής χρήσης
- Προσαρμογέας μυτών
- Διάφοροι τύποι γνήσιων μπαταριών και φορτιστών της Makita

ΣΗΜΕΙΩΣΗ:

- Ορισμένα από τα στοιχεία της λίστα μπορεί να περιέχονται στην συσκευασία του εργαλείου ως κανονικά αξεσουάρ. Αυτά ενδέχεται να διαφέρουν από χώρα σε χώρα.

Θόρυβος

ENG905-1

Το σύνθημα σταθμισμένο επίπεδο θορύβου που έχει καθοριστεί σύμφωνα με την EN62841:

Επίπεδο ηχητικής πίεσης (L_{pA}): 88 dB (A)

Επίπεδο ηχητικής ισχύος (L_{WA}): 99 dB (A)

Αβεβαιότητα (K): 3 dB (A)

ENG907-1

- Η δηλωμένη τιμή(ές) εκπομπής θορύβου έχει μετρηθεί σύμφωνα με την πρότυπη μέθοδο δοκιμής και μπορεί να χρησιμοποιηθεί για τη σύγκριση ενός εργαλείου με κάποιο άλλο.

- Η δηλωμένη τιμή(ές) εκπομπής θορύβου μπορεί να χρησιμοποιηθεί και στην προκαταρκτική αξιολόγηση της έκθεσης.

⚠️ ΠΡΟΕΙΔΟΠΟΙΗΣΗ:

- **Να φοράτε ωτοασπίδες.**
- Η εκπομπή θορύβου κατά τη χρήση του ηλεκτρικού εργαλείου σε πραγματικές συνθήκες μπορεί να διαφέρει από τη δηλωμένη τιμή(ές) ανάλογα με τους τρόπους χρήσης του εργαλείου, ιδιαίτερα το είδος του τεμαχίου εργασίας που υπόκειται επεξεργασία.
- **Φροντίστε να λάβετε τα κατάλληλα μέτρα προστασίας του χειριστή βάσει ενός υπολογισμού της έκθεσης σε πραγματικές συνθήκες χρήσης (λαμβάνοντας υπόψη όλες τις συνιστώσες του κύκλου λειτουργίας όπως τους χρόνους που το εργαλείο είναι εκτός λειτουργίας και όταν βρίσκεται σε αδρανή λειτουργία πέραν του χρόνου ενεργοποίησης).**

Δόνηση

ENG900-1

Η συνολική τιμή δόνησης (διανυσματικό άθροισμα τριών αξόνων) που έχει καθοριστεί σύμφωνα με την EN62841:

Μοντέλο DTL062

Κατάσταση λειτουργίας: κρουστικό σφίξιμο
συνδέσμων στη μέγιστη ικανότητα του εργαλείου
Εκπομπή δόνησης (a_{h1}): 14,5 m/s²
Αβεβαιότητα (K): 2,0 m/s²

Μοντέλο DTL063

Κατάσταση λειτουργίας: κρουστικό σφίξιμο
συνδέσμων στη μέγιστη ικανότητα του εργαλείου
Εκπομπή δόνησης (a_{h1}): 16,5 m/s²
Αβεβαιότητα (K): 2,0 m/s²

ENG901-2

- Η δηλωμένη τιμή(ές) συνολικών κραδασμών έχει μετρηθεί σύμφωνα με την πρότυπη μέθοδο δοκιμής και μπορεί να χρησιμοποιηθεί για τη σύγκριση ενός εργαλείου με κάποιο άλλο.
- Η δηλωμένη τιμή(ές) συνολικών κραδασμών μπορεί να χρησιμοποιηθεί και στην προκαταρκτική αξιολόγηση της έκθεσης.

⚠️ ΠΡΟΕΙΔΟΠΟΙΗΣΗ:

- Η εκπομπή κραδασμών κατά τη χρήση του ηλεκτρικού εργαλείου σε πραγματικές συνθήκες μπορεί να διαφέρει από τη δηλωμένη τιμή(ές) εκπομπής ανάλογα με τους τρόπους χρήσης του εργαλείου, ιδιαίτερα το είδος του τεμαχίου εργασίας που υπόκειται επεξεργασία.
- **Φροντίστε να λάβετε τα κατάλληλα μέτρα προστασίας του χειριστή βάσει ενός υπολογισμού της έκθεσης σε πραγματικές συνθήκες χρήσης (λαμβάνοντας υπόψη όλες τις συνιστώσες του κύκλου λειτουργίας όπως τους χρόνους που το εργαλείο είναι εκτός λειτουργίας και όταν βρίσκεται σε αδρανή λειτουργία πέραν του χρόνου ενεργοποίησης).**

ΕΚ Δήλωση συμμόρφωσης

Για Ευρωπαϊκές χώρες μόνο

Η δήλωση συμμόρφωσης ΕΚ περιλαμβάνεται ως παράρτημα Α σε αυτό το εγχειρίδιο οδηγιών.

Makita Europe N.V. Jan-Baptist Vinkstraat 2,
3070 Kortenberg, Belgium

Makita Corporation 3-11-8, Sumiyoshi-cho,
Anjo, Aichi 446-8502 Japan