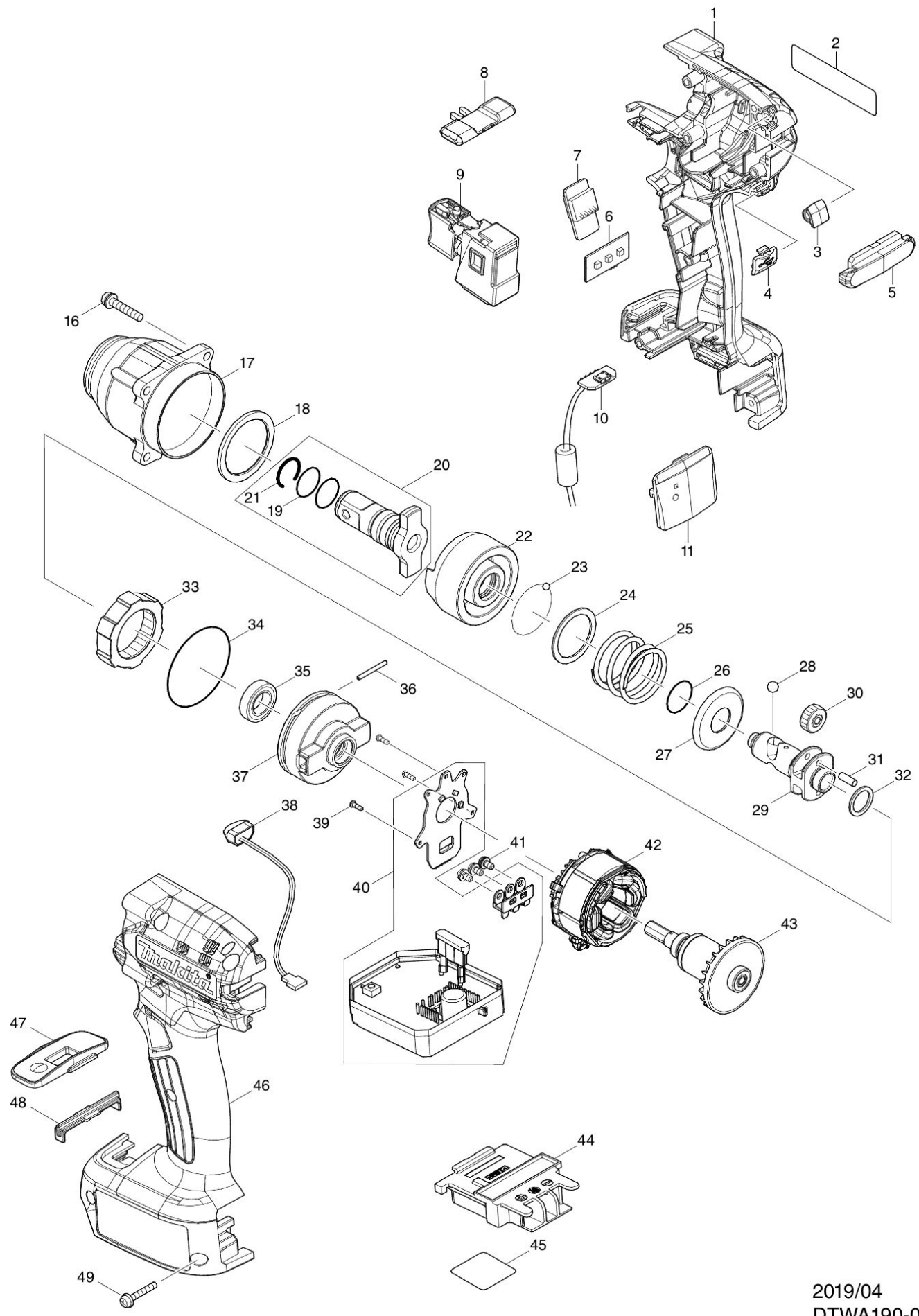


Partdrawing for DTWA190Z - Slagmoersleutel



2019/04
DTWA190-02