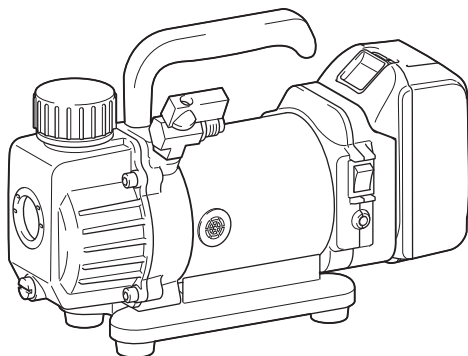




EN	Cordless Vacuum Pump	Instruction Manual	4
FR	Pompe À Vide Sans Fil	Manuel d'instructions	11
DE	Akku-Vakuumpumpe	Bedienungsanleitung	18
IT	Pompa per vuoto senza fili	Istruzioni per l'uso	25
NL	Accuvacuümpomp	Gebruiksaanwijzing	32
ES	Bomba de Vacío Inalámbrica	Manual de instrucciones	39
PT	Bomba de Vácuo a Bateria	Manual de instruções	46
DA	Akku vakuumpumpe	Brugsanvisning	53

DVP180



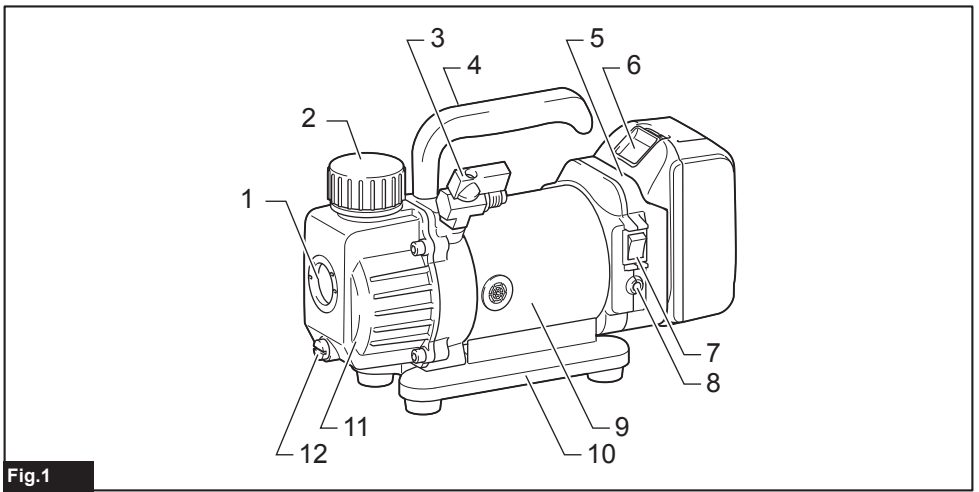


Fig.1

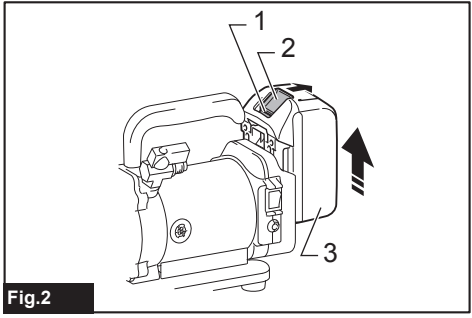


Fig.2

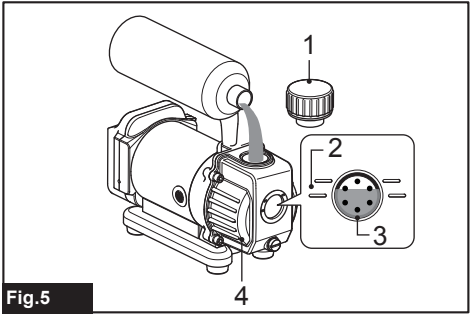


Fig.5

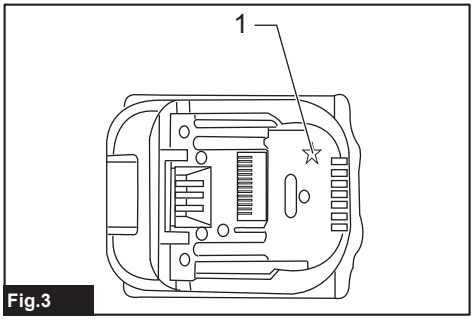


Fig.3

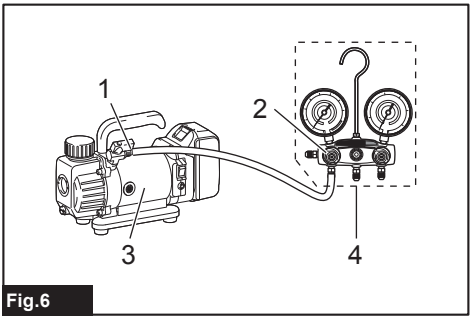


Fig.6

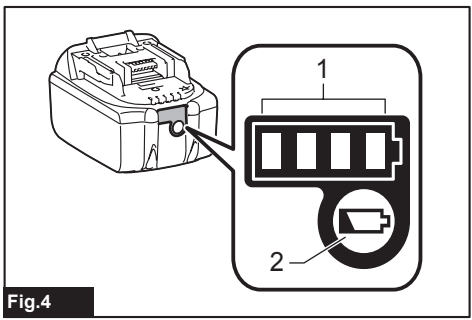


Fig.4

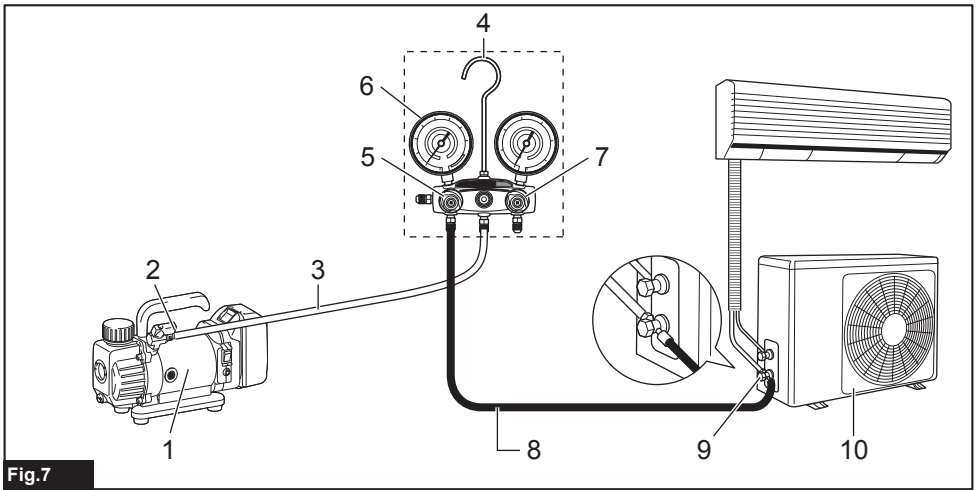


Fig.7

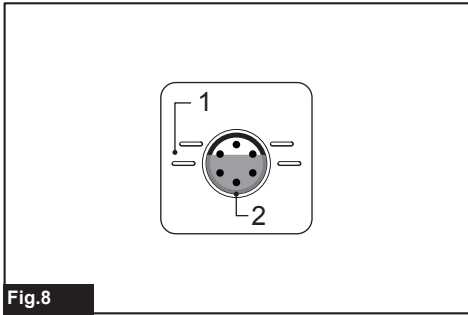


Fig.8

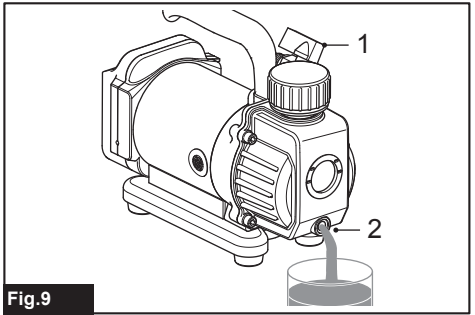


Fig.9

SPECIFICATIONS

Model:	DVP180
Battery cartridge (capacity)	BL 1860B (6.0 Ah) BL 1850 / BL 1850B (5.0 Ah) BL 1840 / BL 1840B (4.0 Ah) BL 1830 / BL 1830B (3.0 Ah)
Rated voltage	D.C. 18 V
Pump	Single stage rotary pump
Free air displacement	50 L/min
Ultimate vacuum	20 Pa
Oil capacity	100 – 115 ml
Intake	5/16" flare male
Dimensions	263 mm (L) × 93 mm (W) × 172 mm (H)
Net weight (with the BL1850 battery)	3.5 kg

- Due to our continuing program of research and development, the specifications herein are subject to change without notice.
- Specifications and battery cartridge may differ from country to country.
- Weight, with battery cartridge, according to EPTA-Procedure 01/2003

Vacuum pump for air evacuation of closed systems (air conditioners, tanks, etc).

This equipment is specially designed for HVAC&R systems.

The single stage of these pumps make it feasible to achieve the final vacuum level requested.

Big sight glass and low oil level design avoids running without oil and ensures reliable usage.

Besides, the check valve avoids any oil mixture due to the backflow after a power interruption or any other process interruption.

Symbols

The following show the symbols used for the equipment. Be sure that you understand their meaning before use.



- Read instruction manual.



- **Warning: hot surface!**
Do not touch around this symbol. Touching the surface may cause burns or injuries.



- Only for EU countries
Do not dispose of electric equipment or battery pack together with household waste material!

In observance of the European Directives, on Waste Electric and Electronic Equipment and Batteries and Accumulators and Waste Batteries and Accumulators and their implementation in accordance with national laws, electric equipment and batteries and battery pack(s) that have reached the end of their life must be collected separately and returned to an environmentally compatible recycling facility.

EC DECLARATION OF CONFORMITY

For European countries only

The EC declaration of conformity is included as Annex A to this instruction manual.

General power tool safety warnings

⚠ WARNING: Read all safety warnings and all instructions. Failure to follow the warnings and instructions may result in electric shock, fire and/or serious injury.

Save all warnings and instructions for future reference.

The term “power tool” in the warnings refers to your mains-operated (corded) power tool or battery-operated (cordless) power tool.

Work area safety

1. **Keep work area clean and well lit.** Cluttered or dark areas invite accidents.
2. **Do not operate power tools in explosive atmospheres, such as in the presence of flammable liquids, gases or dust.** Power tools create sparks which may ignite the dust or fumes.
3. **Keep children and bystanders away while operating a power tool.** Distractions can cause you to lose control.

Electrical safety

4. **Power tool plugs must match the outlet. Never modify the plug in any way. Do not use any adapter plugs with earthed (grounded) power tools.** Unmodified plugs and matching outlets will reduce risk of electric shock.
5. **Avoid body contact with earthed or grounded surfaces such as pipes, radiators, ranges and refrigerators.** There is an increased risk of electric shock if your body is earthed or grounded.
6. **Do not expose power tools to rain or wet conditions.** Water entering a power tool will increase the risk of electric shock.
7. **Do not abuse the cord. Never use the cord for carrying, pulling or unplugging the power tool. Keep cord away from heat, oil, sharp edges or moving parts.** Damaged or entangled cords increase the risk of electric shock.
8. **When operating a power tool outdoors, use an extension cord suitable for outdoor use.** Use of a cord suitable for outdoor use reduces the risk of electric shock.
9. **If operating a power tool in a damp location is unavoidable, use a ground fault circuit interrupter (GFCI) protected supply.** Use of an GFCI reduces the risk of electric shock.

Personal safety

10. **Stay alert, watch what you are doing and use common sense when operating a power tool. Do not use a power tool while you are tired or under the influence of drugs, alcohol or medication.** A moment of inattention while operating power tools may result in serious personal injury.
11. **Use personal protective equipment. Always wear eye protection.** Protective equipment such as dust mask, non-skid safety shoes, hard hat, or hearing protection used for appropriate conditions will reduce personal injuries.
12. **Prevent unintentional starting. Ensure the switch is in the off-position before connecting to power source and/or battery pack, picking up or carrying the tool.** Carrying power tools with your finger on the switch or energising power tools that have the switch on invites accidents.
13. **Remove any adjusting key or wrench before turning the power tool on.** A wrench or a key left attached to a rotating part of the power tool may result in personal injury.
14. **Do not overreach. Keep proper footing and balance at all times.** This enables better control of the power tool in unexpected situations.
15. **Dress properly. Do not wear loose clothing or jewellery. Keep your hair, clothing, and gloves away from moving parts.** Loose clothes, jewellery or long hair can be caught in moving parts.
16. **If devices are provided for the connection of dust extraction and collection facilities, ensure these are connected and properly used.** Use of dust collection can reduce dust-related hazards.

Power tool use and care

17. **Do not force the power tool. Use the correct power tool for your application.** The correct power tool will do the job better and safer at the rate for which it was designed.

18. **Do not use the power tool if the switch does not turn it on and off.** Any power tool that cannot be controlled with the switch is dangerous and must be repaired.
19. **Disconnect the plug from the power source and/or the battery pack from the power tool before making any adjustments, changing accessories, or storing power tools.** Such preventive safety measures reduce the risk of starting the power tool accidentally.
20. **Store idle power tools out of the reach of children and do not allow persons unfamiliar with the power tool or these instructions to operate the power tool.** Power tools are dangerous in the hands of untrained users.
21. **Maintain power tools. Check for misalignment or binding of moving parts, breakage of parts and any other condition that may affect the power tool's operation. If damaged, have the power tool repaired before use.** Many accidents are caused by poorly maintained power tools.
22. **Keep cutting tools sharp and clean.** Properly maintained cutting tools with sharp cutting edges are less likely to bind and are easier to control.
23. **Use the power tool, accessories and tool bits etc. in accordance with these instructions, taking into account the working conditions and the work to be performed.** Use of the power tool for operations different from those intended could result in a hazardous situation.

Battery tool use and care

24. **Recharge only with the charger specified by the manufacturer.** A charger that is suitable for one type of battery pack may create a risk of fire when used with another battery pack.
25. **Use power tools only with specifically designated battery packs.** Use of any other battery packs may create a risk of injury and fire.
26. **When battery pack is not in use, keep it away from other metal objects, like paper clips, coins, keys, nails, screws or other small metal objects, that can make a connection from one terminal to another.** Shorting the battery terminals together may cause burns or a fire.
27. **Under abusive conditions, liquid may be ejected from the battery; avoid contact. If contact accidentally occurs, flush with water. If liquid contacts eyes, additionally seek medical help.** Liquid ejected from the battery may cause irritation or burns.

Service

28. **Have your power tool serviced by a qualified repair person using only identical replacement parts.** This will ensure that the safety of the power tool is maintained.
29. **Follow instruction for lubricating and changing accessories.**
30. **Keep handles dry, clean and free from oil and grease.**

Cordless vacuum pump safety warnings

Read carefully instructions in the literature, strict observance of procedures is main condition for operator safety.

1. The vacuum pump is a machine used to evacuate refrigeration and air conditioning equipment and recovery vessels. Do not use it for other applications. Doing so may result in accidents.
2. Always inspect the vacuum pump for oil leaks before use. Failure to do so may result in fire.
3. Check the oil level and condition (deterioration, etc.) to enable safe and efficient work.
4. Wear safety glasses and gloves when handling refrigerant; avoid contact with refrigerant, blindness and injuries may result to operator.
5. Adequate performance may not be obtained in extremely hot or cold environments.

SAVE THESE INSTRUCTIONS.

⚠WARNING: DO NOT let comfort or familiarity with product (gained from repeated use) replace strict adherence to safety rules for the subject product.

MISUSE or failure to follow the safety rules stated in this instruction manual may cause serious personal injury.

Important safety instructions for battery cartridge

1. Before using battery cartridge, read all instructions and cautionary markings on (1) battery charger, (2) battery, and (3) product using battery.
2. Do not disassemble battery cartridge.
3. If operating time has become excessively shorter, stop operating immediately. It may result in a risk of overheating, possible burns and even an explosion.
4. If electrolyte gets into your eyes, rinse them out with clear water and seek medical attention right away. It may result in loss of your eyesight.
5. Do not short the battery cartridge:
 - (1) Do not touch the terminals with any conductive material.
 - (2) Avoid storing battery cartridge in a container with other metal objects such as nails, coins, etc.
 - (3) Do not expose battery cartridge to water or rain.A battery short can cause a large current flow, overheating, possible burns and even a breakdown.
6. Do not store the tool and battery cartridge in locations where the temperature may reach or exceed 50°C (122°F).
7. Do not incinerate the battery cartridge even if it is severely damaged or is completely worn out. The battery cartridge can explode in a fire.

8. Be careful not to drop or strike battery.
9. Do not use a damaged battery.
10. Follow your local regulations relating to disposal of battery.

SAVE THESE INSTRUCTIONS.

⚠CAUTION: Only use genuine Makita batteries. Use of non-genuine Makita batteries, or batteries that have been altered, may result in the battery bursting causing fires, personal injury and damage. It will also void the Makita warranty for the Makita tool and charger.

Tips for maintaining maximum battery life

1. Charge the battery cartridge before completely discharged. Always stop tool operation and charge the battery cartridge when you notice less tool power.
2. Never recharge a fully charged battery cartridge. Overcharging shortens the battery service life.
3. Charge the battery cartridge with room temperature at 10°C - 40°C (50°F - 104°F). Let a hot battery cartridge cool down before charging it.
4. Charge the battery cartridge if you do not use it for a long period (more than six months).

PARTS DESCRIPTION

► Fig.1:

- | | |
|--------------------------|-----------------|
| 1. Sight glass | 7. Power switch |
| 2. Oil fill/Exhaust cap | 8. LED lamp |
| 3. Intake shut-off valve | 9. Motor |
| 4. Handle | 10. Base |
| 5. Battery holder | 11. Oil tank |
| 6. Battery | 12. Drain plug |

FUNCTIONAL DESCRIPTION

⚠CAUTION: Always be sure that the pump is switched off and the battery cartridge is removed before adjusting or checking function on the pump.

Installing or removing battery cartridge

⚠CAUTION: Always switch off the pump before installing or removing of the battery cartridge.

⚠CAUTION: Hold the pump and the battery cartridge firmly when installing or removing battery cartridge. Failure to hold the pump and the battery cartridge firmly may cause them to slip off your hands and result in damage to the pump and battery cartridge and a personal injury.

► Fig.2:

1. Red indicator
2. Button
3. Battery cartridge

To remove the battery cartridge, slide it from the pump while sliding the button on the front of the cartridge.

To install the battery cartridge, align the tongue on the battery cartridge with the groove in the housing and slip it into place. Insert it all the way until it locks in place with a little click. If you can see the red indicator on the upper side of the button, it is not locked completely.

CAUTION: Always install the battery cartridge fully until the red indicator cannot be seen. If not, it may accidentally fall out of the pump, causing injury to you or someone around you.

CAUTION: Do not install the battery cartridge forcibly. If the cartridge does not slide in easily, it is not being inserted correctly.

Indicator lamps			Remaining capacity
Lighted	Off	Blinking	
			75% to 100%
			50% to 75%
			25% to 50%
			0% to 25%
			Charge the battery.
			The battery may have malfunctioned.

NOTE: Depending on the conditions of use and the ambient temperature, the indication may differ slightly from the actual capacity.

Battery protection system

► Fig.3:

1. Star marking

The pump is equipped with a battery protection system. This system automatically cuts off power to the motor to extend battery life.

The pump will automatically stop during operation if the pump and/or battery are placed under one of the following conditions:

Overloaded:

The pump is operated in a manner that causes it to draw an abnormally high current.

In this situation, turn the pump off and stop the application that caused the pump to become overloaded. Then turn the pump on to restart.

If the pump does not start, the battery is overheated.

In this situation, let the battery cool before turning the pump on again.

Low battery voltage:

The remaining battery capacity is too low and the pump will not operate. In this situation, remove and recharge the battery.

NOTE: The overheat protection works only with a battery cartridge with a star marking.

Indicating the remaining battery capacity

Only for battery cartridges with "B" at the end of the model number

► Fig.4:

1. Indicator lamps
2. Check button

Press the check button on the battery cartridge to indicate the remaining battery capacity. The indicator lamps light up for few seconds.

OPERATION

The pump does not contain oil when newly purchased. Refer to "Adding oil" and add oil.

WARNING: Operating the pump in the condition without oil added will damage the pump. In addition, the oil tank will become hot and may result in burns or other accidents.

Adding oil

► Fig.5:

1. Oil fill/Exhaust cap
2. Level line
3. Sight glass
4. Oil tank

1. Remove the oil fill/exhaust cap and add the supplied oil via the filler port.

NOTICE: Always use Makita genuine oil in order to maintain pump performance.

2. Add oil until the oil level is between the upper and lower level lines of the sight glass.

NOTICE: The oil level is important. Operating the pump in the condition with the oil level not between the upper and lower level lines may result in malfunction.

Checking performance

► Fig.6:

1. Intake
2. Low side valve
3. Vacuum pump
4. Manifold

1. Connect the low side valve of the manifold and the intake port of the pump with a charging hose.
2. Close the low side valve of the manifold.
3. Open the intake shut-off valve.

4. Open the inlet valve.
5. Turn the pump on. If the pressure of the manifold indicates a vacuum of -0.09 to -0.1 MPa within 30 seconds, the pump is operating properly.
6. Turn the pump off.

Operation

► Fig.7:

- | | |
|---------------------------|-------------------------------------|
| 1. Vacuum pump | 6. Low pressure gauge |
| 2. Intake shut-off valve | 7. High side valve |
| 3. Charging hose (yellow) | 8. Charging hose (blue) |
| 4. Manifold | 9. Service port (Low pressure side) |
| 5. Low side valve | 10. Outdoor unit |
1. Connect the pump, manifold and outdoor unit with hoses.

NOTE: When the size of the service port on the unit is 1/4", use the supplied different diameter adapter.

2. Check that the high side and low side valves of the manifold are closed.
3. Install the battery to the pump. (See "Installing or removing battery cartridge" for the installation method.)
4. Turn the pump on. The LED lamp (green) lights up.
5. Open the intake shut-off valve of the pump and the low side valve of the manifold.

⚠WARNING: The pump becomes hot during operation and immediately after stopping. Do not touch the pump while it is hot. Doing so may result in burns or other accidents.

NOTE: The motor may not operate when it is cold (5°C or less). In these cases, bring the pump indoors and allow it to warm up.

6. When the specified vacuum (refer to the manual provided by the air conditioner manufacturer) is reached, close the low side valve of the manifold.
7. Close the intake shut-off valve and turn the pump off.

Airtightness test

There are no leaks if the pressure of the manifold does not rise for 5 minutes or more after leaving the pump and manifold.

NOTE: When the battery remaining capacity becomes low, LED lamp goes out and at the same time a long alarm beep start sounding. About two minutes later the motor stops. And then alarm beep changes into a repeated short-time interval beeping which notifies the motor stop and 30 seconds later the beeping stops. However, do not wait until the motor stops (or alarm beep changes to a short-time beeping), and instead close the inlet valve of the pump and the low pressure side valve of manifold.

Check that the pump is turned off, remove the battery, and charge it or replace it with a spare battery.

- Refer to the following table for the battery operation times.

Operation times (guideline)

Battery	Operation times
BL1860B	75 min
BL1850 / BL1850B	50 min
BL1840 / BL1840B	40 min
BL1830 / BL1830B	30 min

- After finishing work, remove the battery and attach the supplied cover.

NOTICE: When transporting, operating and storing the pump, never place it on its side or upside down. This may cause oil leakage from the oil filler/vent cap.

Transport and storage

- Always drain your vacuum pump of all fluids before shipping to prevent the damage of the container.
- Always cover the intake port with cap to keep any dust from entering the pump.
- Be sure that the pump is kept in a horizontal position.
- The pump is stored in indoor ambient temperature 5°C – 40°C .

MAINTENANCE

⚠CAUTION: Always be sure that the pump is switched off and the battery cartridge is removed before attempting to perform inspection or maintenance.

NOTICE: Never use gasoline, benzine, thinner, alcohol or the like. Discoloration, deformation or cracks may result.

To maintain product SAFETY and RELIABILITY, repairs, any other maintenance or adjustment should be performed by Makita Authorized or Factory Service Centers, always using Makita replacement parts.

Stop the pump:

To make pump life longer and smooth start-up, these procedures to shut off pump should be followed.

1. Close the manifold valve between the pump and the system.
2. Remove the hose from the pump inlet.

Cover the inlet port opening to prevent any contamination or foreign particles from entering the port.

Checking the oil

► Fig.8:

1. Level line
2. Sight glass

- Always check the oil level and condition (deterioration, etc.) before using the pump.

NOTE: Add oil until the oil level is between the upper and lower level lines of the sight glass.

Replacing the oil

► Fig.9:

1. Intake shut-off valve 2. Drain plug
1. Open the intake shut-off valve.
2. Operate the pump for 1 or 2 minutes to warm up the oil.
3. Turn the pump off.
4. Remove the drain plug and drain the oil.
5. Refer to "Adding oil" and add new oil.
- Dispose of the old oil in accordance with local regulations.

NOTE: It is recommended to change the oil after 20 hours of usage to protect pump components from contaminants pulled into the pump.

When vacuuming on old refrigeration systems, change the oil after every usage.

Vacuum pump oil:

The condition and type of oil used in any high performance vacuum pump are extremely important in determining the ultimate attainable vacuum. It is recommended to use the High Performance Vacuum Pump Oil, which is specifically blended to maintain maximum viscosity at normal temperatures and to improve start up under cold weather.

Cleaning the pump

1. When the oil is extremely dirty, replace the oil and then operate the pump for 3 to 5 minutes.
2. Drain the oil and add new oil.
If the drained oil is still dirty, repeat this cleaning process two or three times.

Troubleshooting

Condition	Possible Cause	Solution
The pump will not start.	<ol style="list-style-type: none"> 1. The battery is not set properly. 2. The ambient temperature is too low. 3. Poor wiring connection. 4. The pump is locked. 5. Motor failure. 	<ol style="list-style-type: none"> 1. Set the battery properly. 2. Warm up the pump in doors. 3. Repair. 4. Repair. 5. Repair.
The pump will not enough vacuum.	<ol style="list-style-type: none"> 1. Leaking from the system. 2. Insufficient oil. 3. Dirty oil. 4. Pump parts are worn out. 5. Damaged fittings, gaskets and seal. 6. Motor failure. 	<ol style="list-style-type: none"> 1. Repair the system. 2. Refill or change oil. 3. Clean reservoir and change oil. 4. Repair. 5. Repair. 6. Repair.
Oil leakage.	<ol style="list-style-type: none"> 1. Damaged gaskets and shaft seals. 2. Damaged O-ring of oil drain plug. 3. Oil drain plug is loose. 	<ol style="list-style-type: none"> 1. Repair. 2. Replace O-ring. 3. Tighten Oil drain plug.
Abnormal noise.	<ol style="list-style-type: none"> 1. Motor failure. 2. Bearing failure. 3. Loose bolts. 4. Pump failure. 5. Air is sucked. 	<ol style="list-style-type: none"> 1. Repair. 2. Repair. 3. Tighten bolts. 4. Repair. 5. Tighten caps and connections. Replace gaskets and O-rings. Replace fittings or re-seal them.

Remark: If these procedures do not solve the problem, contact with your nearest Makita authorized distributor or send your pump to our service center.

OPTIONAL ACCESSORIES

⚠ CAUTION: These accessories or attachments are recommended for use with your Makita tool specified in this manual. The use of any other accessories or attachments might present a risk of injury to persons. Only use accessory or attachment for its stated purpose.

If you need any assistance for more details regarding these accessories, ask your local Makita Service Center.

- Makita genuine batteries and chargers
- Vacuum pump oil 150 ml
- Vacuum pump aluminum case
- Vacuum pump hose
- Vacuum pump valve with gauge

NOTE: Some items in the list may be included in the tool package as standard accessories. They may differ from country to country.

SPÉCIFICATIONS

Modèle :	DVP180
Batterie (capacité)	BL 1860B (6,0 Ah) BL 1850 / BL 1850B (5,0 Ah) BL 1840 / BL 1840B (4,0 Ah) BL 1830 / BL 1830B (3,0 Ah)
Tension nominale	18 VCC
Pompe	Pompe rotative mono-étagée
Déplacement libre de l'air	50 L/min
Vide limite	20 Pa
Capacité d'huile	100 à 115 ml
Admission	Raccord évasé male 5/16"
Dimensions	263 mm (L) × 93 mm (P) × 172 mm (H)
Poids net (batterie BL 1850 incluse)	3,5 kg

- En raison de notre programme continu de recherche et développement, les spécifications contenues dans ce manuel sont susceptibles d'être modifiées sans préavis.
- Les spécifications et la batterie peuvent varier d'un pays à l'autre.
- Poids, batterie incluse, selon la procédure EPTA 01/2003

Pompe à vide pour évacuation de l'air des systèmes fermés (climatiseurs, réservoirs, etc.).

Cet appareil est spécifiquement conçu pour les systèmes CVCR.

L'étagage unique de ces pompes permet d'obtenir le niveau de vide limite voulu.

Un gros voyant et une conception à bas niveau d'huile préviennent le fonctionnement sans huile et garantissent une utilisation fiable.

En outre, le clapet de retenue empêche le mélange d'huile suite à un reflux après une panne de courant ou toute autre interruption du processus.

Symboles

Vous trouverez ci-dessous les symboles utilisés pour l'appareil.

Veillez à comprendre leur signification avant toute utilisation.



- Lisez le manuel d'instructions.



- Avertissement : surface chaude !
Ne touchez pas autour de ce symbole.
Vous risqueriez de vous brûler ou blesser si vous touchez la surface.



- Uniquement pour les pays de l'Union européenne

Ne jetez pas les appareils électriques ou les batteries avec vos ordures ménagères !

Conformément aux directives européennes relatives aux déchets d'équipements électriques et électroniques et aux batteries et accumulateurs ainsi qu'aux déchets de batteries et d'accumulateurs et leur mise en œuvre conformément aux lois nationales, les appareils électriques et les batteries en fin de vie doivent faire l'objet d'une collecte sélective et être confiés à une usine de recyclage respectueuse de l'environnement.

DÉCLARATION DE CONFORMITÉ CE

Pour les pays européens uniquement

La déclaration de conformité CE est fournie en Annexe A de ce manuel d'instructions.

Consignes de sécurité générales pour outils électriques

AVERTISSEMENT : Lisez toutes les consignes de sécurité et toutes les instructions. Il y a risque d'électrocution, d'incendie et/ou de graves blessures si les mises en garde et les instructions ne sont pas respectées.

Conservez toutes les mises en garde et instructions pour référence ultérieure.

Le terme « outil électrique » dans les avertissements fait référence à l'outil électrique alimenté par le secteur (avec cordon d'alimentation) ou à l'outil fonctionnant sur batterie (sans cordon d'alimentation).

Sécurité de l'aire de travail

1. **Maintenez l'aire de travail propre et bien éclairée.** Les aires de travail en désordre ou mal éclairées sont propices aux accidents.

2. **N'utilisez pas un outil électrique dans un environnement explosif, en présence de liquides, gaz ou poussières inflammables par exemple.** Les outils électriques produisent des étincelles qui peuvent enflammer la poussière ou les émanations.
3. **Tenez à distance enfants et badauds pendant que vous utilisez un outil électrique.** Les distractions peuvent vous faire perdre la maîtrise de l'outil.
13. **Retirez toute clé de réglage ou autre avant de mettre l'outil électrique sous tension.** Une clé laissée en place sur une pièce rotative de l'outil électrique peut entraîner des blessures.
14. **Ne vous penchez pas trop loin. Maintenez constamment une bonne assise et un bon équilibre.** Vous aurez ainsi une meilleure maîtrise de l'outil électrique en cas de situations imprévues.

Sécurité électrique

4. **La fiche de l'outil électrique doit correspondre avec la prise de courant. Ne modifiez en aucun cas la fiche. N'utilisez pas de fiche adaptatrice avec un outil électrique relié à la terre (masse).** Les fiches non modifiées et les prises de courant adaptées réduisent les risques d'électrocution.
5. **Évitez tout contact physique avec des surfaces reliées à la terre ou à la masse, comme des tuyaux, radiateurs, cuisinières électriques et réfrigérateurs.** Le risque d'électrocution augmente si votre corps est relié à la terre ou à la masse.
6. **N'exposez pas les outils électriques à la pluie ou à l'humidité.** Le risque d'électrocution augmente si de l'eau pénètre dans un outil électrique.
7. **Ne maltraitez pas le cordon d'alimentation. N'utilisez jamais le cordon pour transporter, tirer ou débrancher l'outil électrique. Tenez le cordon à l'écart de sources de chaleur, huile, bords tranchants ou pièces en mouvement.** Le risque d'électrocution augmente si le cordon est endommagé ou entortillé.
8. **Utilisez une rallonge convenant pour l'utilisation à l'air libre si vous utilisez l'outil électrique à l'extérieur.** Le risque d'électrocution diminue si vous utilisez un cordon convenant pour l'utilisation à l'air libre.
9. **Si l'utilisation d'un outil électrique dans un emplacement humide est inévitable, servez-vous d'une alimentation protégée par un disjoncteur de fuite à la terre (DFT).** Le risque d'électrocution diminue si vous utilisez un DFT.
15. **Portez des vêtements adéquats. Ne portez pas de vêtements amples ni de bijoux. Maintenez cheveux, vêtements et gants à l'écart des pièces en mouvement.** Les pièces en mouvement peuvent happer les vêtements amples, les bijoux ou les cheveux longs.
16. **Si des accessoires sont fournis pour raccorder des dispositifs d'aspiration et de collecte de la poussière, vérifiez qu'ils sont raccordés et utilisés correctement.** L'utilisation de collecteurs de poussière permet de réduire les risques liés à la présence de poussière.

Utilisation et entretien des outils électriques

Sécurité personnelle

10. **Restez vigilant, surveillez vos gestes et faites preuve de bon sens lorsque vous utilisez un outil électrique. N'utilisez pas un outil électrique lorsque vous êtes fatigué ou sous l'emprise de drogues, d'alcool ou de médicaments.** Un moment d'inattention durant l'utilisation d'un outil électrique peut entraîner de graves blessures.
11. **Utilisez un équipement de protection individuelle. Portez toujours une protection oculaire.** Les équipements de sécurité tels que les masques contre les poussières, les chaussures de sécurité antidérapantes, les casques ou les protecteurs d'oreilles utilisés pour les conditions appropriées réduiront les blessures.
12. **Évitez les démarrages intempestifs. Assurez-vous que l'interrupteur est en position d'arrêt avant de brancher l'outil au secteur et/ou sur la batterie, de le ramasser ou de le transporter.** Transporter un outil électrique en ayant le doigt sur l'interrupteur ou brancher un outil électrique dont l'interrupteur est en position de marche est source d'accidents.
17. **Ne forcez pas l'outil électrique. Utilisez l'outil électrique adapté à l'application souhaitée.** Si vous utilisez l'outil électrique adéquat et respectez le régime pour lequel il a été conçu, il réalisera un travail de meilleure qualité et plus sûr.
18. **N'utilisez pas l'outil électrique s'il est impossible de l'allumer ou de l'éteindre avec l'interrupteur.** Un outil électrique ne pouvant être contrôlé par l'interrupteur représente un danger et doit être réparé.
19. **Débranchez la fiche de la source d'alimentation et/ou la batterie de l'outil électrique avant de procéder à des réglages, de changer d'accessoire ou de ranger l'outil électrique.** Ces mesures de sécurité préventives réduiront les risques de démarrage accidentel de l'outil électrique.
20. **Après utilisation, rangez l'outil électrique hors de portée des enfants et ne laissez aucune personne l'utiliser si elle n'est pas familiarisée avec les outils électriques ou ces instructions.** Les outils électriques représentent un danger entre des mains inexpertes.
21. **Procédez à l'entretien régulier des outils électriques. Assurez-vous que les pièces en mouvement ne sont pas mal alignées ou coincées, qu'aucune pièce n'est cassée et que l'outil électrique n'a subi aucun dommage pouvant affecter son bon fonctionnement. Si l'outil électrique est endommagé, faites-le réparer avant de le réutiliser.** De nombreux accidents sont dus à des outils électriques mal entretenus.
22. **Maintenez vos outils affûtés et propres.** Un outil bien entretenu aux bords bien affûtés risquera moins de se coincer et sera plus facile à maîtriser.
23. **Utilisez l'outil électrique, ses accessoires et ses embouts, etc. conformément aux instructions, en tenant compte des conditions de travail et de la tâche à effectuer.** L'utilisation d'un outil électrique à des fins autres que celles prévues est potentiellement dangereuse.

Utilisation et entretien des outils fonctionnant sur batterie

24. Rechargez la batterie uniquement avec le chargeur spécifié par le fabricant. Un chargeur qui est adapté à un type spécifique de batterie peut présenter un risque d'incendie s'il est utilisé avec un autre type de batterie.
25. Utilisez l'outil électrique uniquement avec la batterie spécifiquement indiquée. L'utilisation de toute autre batterie peut présenter un risque de blessure et d'incendie.
26. Lorsque vous n'utilisez pas la batterie, tenez-la à l'écart des objets métalliques, comme des trombones, pièces de monnaie, clés, clous, vis ou autres petits objets métalliques, susceptibles de créer une connexion entre deux bornes. Court-circuiter les bornes d'une batterie entre elles peut provoquer des brûlures ou un incendie.
27. Dans des conditions d'utilisation inadéquate, il peut y avoir une fuite de l'électrolyte de la batterie. Le cas échéant, évitez tout contact avec ce liquide. En cas de contact accidentel, rincez à l'eau. Si le liquide entre en contact avec les yeux, consultez un médecin. Le liquide s'échappant de la batterie peut provoquer une irritation ou des brûlures.

Dépannage

28. Confiez la réparation de votre outil électrique à un réparateur qualifié qui utilise seulement des pièces de rechange identiques. La sécurité de l'outil électrique en sera ainsi préservée.
29. Suivez les instructions pour la lubrification et le remplacement des accessoires.
30. Gardez toutes les poignées sèches, propres et sans trace d'huile ou de graisse.

Consignes de sécurité pour pompe à vide sans fil

Lisez attentivement les instructions de ce document. Le respect rigoureux des procédures est la principale condition de la sécurité de l'utilisateur.

1. La pompe à vide sert à vider les appareils de réfrigération et climatisation, ainsi que les systèmes de récupération. Ne l'utilisez pas pour d'autres applications. Cela présente un risque d'accident.
2. Vérifiez toujours les fuites d'huile de la pompe à vide avant utilisation. Le non-respect de ces instructions peut être à l'origine d'un incendie.
3. Vérifiez le niveau de l'huile et sa qualité (détérioration, etc.) pour garantir un travail sûr et efficace.
4. Portez des lunettes de sécurité et des gants lorsque vous manipulez le fluide frigorigène ; évitez tout contact avec le fluide frigorigène sous peine de cécité et blessure pour l'utilisateur.
5. Des performances adéquates peuvent ne pas être obtenues dans un environnement très chaud ou très froid.

CONSERVEZ CES INSTRUCTIONS.

AVERTISSEMENT : NE vous laissez PAS tromper (au fil d'une utilisation répétée) par un sentiment d'aisance et de familiarité avec le produit, en négligeant le respect rigoureux des consignes de sécurité qui accompagnent le produit en question.

La MAUVAISE UTILISATION de l'outil ou l'ignorance des consignes de sécurité indiquées dans ce manuel d'instructions peut entraîner de graves blessures.

Consignes de sécurité importantes pour la batterie

1. Avant d'utiliser la batterie, lisez toutes les instructions et précautions sur (1) le chargeur de batterie, (2) la batterie, et (3) le produit utilisant la batterie.
2. Ne démontez pas la batterie.
3. Si l'autonomie de la batterie raccourcit considérablement, cessez immédiatement de l'utiliser. Il y a un risque de surchauffe, de brûlures, voire d'explosion.
4. Si l'électrolyte pénètre dans vos yeux, rincez-les à l'eau claire et consultez immédiatement un médecin. Il y a un risque de perte de la vue.
5. Ne court-circuitez pas la batterie :
 - (1) Ne touchez pas les bornes avec un matériau conducteur.
 - (2) Évitez de ranger la batterie dans un contenant avec d'autres objets métalliques comme des clous, pièces de monnaie, etc.
 - (3) N'exposez pas la batterie à l'eau ou à la pluie.

Un court-circuit de la batterie peut provoquer une intensité de courant élevée, une surchauffe, parfois des brûlures et même une panne.

6. Ne rangez pas l'outil et la batterie dans un endroit où la température risque d'atteindre ou de dépasser 50 °C.
7. Ne jetez pas la batterie dans le feu même si elle est sérieusement endommagée ou complètement épuisée. La batterie peut exploser au contact du feu.
8. Évitez de laisser tomber ou de cogner la batterie.
9. N'utilisez pas la batterie si elle est endommagée.
10. Suivez les réglementations locales en matière de mise au rebut des batteries.

CONSERVEZ CES INSTRUCTIONS.

ATTENTION : N'utilisez que des batteries Makita d'origine. L'utilisation de batteries de marque différente ou de batteries modifiées peut provoquer l'explosion des batteries, ce qui présente un risque d'incendie, de dommages matériels et corporels. Cela annulera également la garantie Makita pour l'outil et le chargeur Makita.

Conseils pour assurer la durée de vie optimale de la batterie

1. Chargez la batterie avant qu'elle ne soit complètement déchargée. Arrêtez toujours l'outil et rechargez la batterie quand vous remarquez que la puissance de l'outil diminue.
2. Ne rechargez jamais une batterie complètement chargée. La surcharge réduit la durée de service de la batterie.
3. Chargez la batterie à une température ambiante comprise entre 10 °C et 40 °C. Avant de charger une batterie chaude, laissez-la refroidir.
4. Rechargez la batterie si elle est restée inutilisée pendant une période prolongée (plus de six mois).

DESCRIPTION DES PIÈCES

► Fig. 1 :

- | | |
|--|--------------------------------|
| 1. Voyant | 6. Batterie |
| 2. Bouchon de remplissage de l'huile/ évacuation | 7. Interrupteur d'alimentation |
| 3. Robinet de sectionnement de l'admission | 8. Voyant DEL |
| 4. Poignée | 9. Moteur |
| 5. Porte-batterie | 10. Base |
| | 11. Réservoir d'huile |
| | 12. Bouchon de vidange |

DESCRIPTION DU FONCTIONNEMENT

ATTENTION : Assurez-vous toujours que la pompe est hors tension et que la batterie est retirée avant d'ajuster ou de vérifier une fonction sur la pompe.

Insertion ou retrait de la batterie

ATTENTION : Mettez toujours la pompe hors tension avant de mettre en place ou de retirer la batterie.

ATTENTION : Tenez fermement la pompe et la batterie lors de la mise en place ou du retrait de la batterie. Si vous ne tenez pas fermement la pompe et la batterie, elles peuvent vous glisser des mains, et s'abîmer ou vous blesser.

► Fig. 2 :

- | | |
|-----------------|-------------|
| 1. Voyant rouge | 3. Batterie |
| 2. Bouton | |

Pour retirer la batterie, faites-la glisser hors de la pompe tout en faisant glisser le bouton à l'avant de la batterie.

Pour mettre en place la batterie, alignez la languette sur la batterie avec la rainure sur le compartiment et insérez-la. Insérez-la à fond jusqu'à ce qu'un léger déclin se fasse entendre. Si le voyant rouge sur le dessus du bouton est visible, cela signifie qu'elle n'est pas bien verrouillée.

ATTENTION : Insérez toujours la batterie à fond, jusqu'à ce que le voyant rouge ne soit plus visible. Sinon, elle pourrait tomber accidentellement de la pompe, au risque de vous blesser ou de blesser quelqu'un se trouvant près de vous.

ATTENTION : Ne forcez pas pour insérer la batterie. Si elle ne glisse pas facilement, c'est que vous ne l'insérez pas correctement.

Système de protection de la batterie

► Fig. 3 :

1. Repère étoilé

La pompe est équipée d'un circuit de protection de la batterie. Ce circuit coupe automatiquement l'alimentation vers le moteur pour prolonger la durée de service de la batterie.

La pompe s'arrêtera automatiquement en cours d'utilisation si la pompe et/ou la batterie se trouvent dans l'une des situations suivantes :

Surcharge :

La pompe est utilisée de manière telle qu'elle consomme un courant anormalement élevé.

Dans ce cas, mettez la pompe hors tension et arrêtez la tâche ayant provoqué la surcharge de la pompe. Puis remettez la pompe sous tension pour reprendre la tâche. Si la pompe ne démarre pas, c'est que la batterie a surchauffé.

Dans ce cas, laissez la batterie refroidir avant de remettre la pompe sous tension.

Faible tension de la batterie :

La charge restante de la batterie est trop faible et la pompe ne fonctionne pas. Dans ce cas, retirez la batterie et rechargez-la.

NOTE : La protection contre la surchauffe ne fonctionne qu'avec une batterie avec repère étoilé.

Indication de la charge restante de la batterie

Uniquement pour les batteries dont le numéro de modèle se termine par « B »

► Fig. 4 :

- | | |
|---------------------|---------------------------|
| 1. Voyants lumineux | 2. Bouton de vérification |
|---------------------|---------------------------|

Appuyez sur le bouton de vérification sur la batterie pour indiquer la charge restante de la batterie. Les voyants lumineux s'allument pendant quelques secondes.

Voyants lumineux			Charge restante
Allumé	Éteint	Clignotant	
■	□	◐	75 % à 100 %
■ ■ ■ ■			

Voyants lumineux			Charge restante
Allumé	Éteint	Clignotant	
■	□	▧	50 % à 75 %
■	■	□	
■	■	□	25 % à 50 %
■	□	□	0 % à 25 %
▧	□	□	Chargez la batterie.
■	■	□	Anomalie possible de la batterie.
□	□	■	

NOTE : Selon les conditions d'utilisation et la température ambiante, l'indication peut être légèrement différente de la capacité réelle.

FONCTIONNEMENT

La pompe ne contient pas d'huile lorsque vous venez de l'acheter.

Reportez-vous à « Ajout d'huile » et ajoutez de l'huile.

⚠ AVERTISSEMENT : Si vous faites fonctionner la pompe sans ajouter d'huile, vous endommagerez la pompe. De plus, le réservoir d'huile chauffera et pourrait provoquer des brûlures ou d'autres accidents.

Ajout d'huile

► Fig. 5 :

- Bouchon de remplissage de l'huile/ évacuation
 - Trait de niveau
 - Voyant
 - Réservoir d'huile
- Retirez le bouchon de remplissage de l'huile/ évacuation et ajoutez l'huile fournie via l'orifice de remplissage.

REMARQUE : Utilisez toujours de l'huile de marque Makita pour conserver les performances de la pompe.

- Ajoutez de l'huile jusqu'à ce que le niveau d'huile se trouve entre les traits de niveau supérieur et inférieur du voyant.

REMARQUE : Le niveau d'huile est important. Faire fonctionner la pompe, alors que le niveau d'huile ne se trouve pas entre les traits de niveau supérieur et inférieur peut entraîner un dysfonctionnement.

Vérification de la performance

► Fig. 6 :

- Admission
- Soupape inférieure
- Pompe à vide
- Collecteur

- Connectez la soupape inférieure du collecteur et l'orifice d'admission de la pompe avec un tube de charge.
- Fermez la soupape inférieure du collecteur.
- Ouvrez le robinet de sectionnement de l'admission.
- Ouvrez la soupape d'entrée.
- Mettez la pompe sous tension. Si la pression du collecteur indique un vide de $-0,09$ à $-0,1$ MPa dans les 30 secondes, la pompe fonctionne correctement.
- Mettez la pompe hors tension.

Fonctionnement

► Fig. 7 :

- Pompe à vide
- Robinet de sectionnement de l'admission
- Tube de charge (jaune)
- Collecteur
- Soupape inférieure
- Manomètre basse pression
- Soupape supérieure
- Tube de charge (bleu)
- Orifice de service (côté basse pression)
- Unité extérieure

- Connectez la pompe, le collecteur et l'unité extérieure avec les tubes.

NOTE : Si la taille de l'orifice de service sur l'unité est de $1/4"$, utilisez l'adaptateur pour diamètre différent fourni.

- Vérifiez que les soupapes supérieure et inférieure du collecteur sont fermées.
- Mettez la batterie en place sur la pompe. (Voir « Insertion ou retrait de la batterie » pour la méthode d'installation.)
- Mettez la pompe sous tension. Le voyant DEL (vert) s'allume.
- Ouvrez le robinet de sectionnement de l'admission de la pompe et la soupape inférieure du collecteur.

⚠ AVERTISSEMENT : La pompe est chaude pendant le fonctionnement et immédiatement après l'arrêt. Ne touchez pas la pompe pendant qu'elle est chaude. Cela présente un risque de brûlure ou d'autres accidents.

NOTE : Il se peut que le moteur ne fonctionne pas s'il est froid (5 °C ou moins). Dans ce cas, apportez la pompe à l'intérieur et laissez-la se réchauffer.

- Lorsque le vide spécifié (se reporter au manuel fourni par le fabricant du climatiseur) est atteint, fermez la soupape inférieure du collecteur.
- Fermez le robinet de sectionnement de l'admission et mettez la pompe hors tension.

Essai d'étanchéité à l'air

Il n'y a pas de fuite si la pression du collecteur ne s'élève pas pendant 5 minutes ou plus après avoir quitté la pompe et le collecteur.

NOTE : Lorsque la charge restante de la batterie est faible, le voyant DEL s'éteint et en même temps, un bip d'alarme retentit longuement. Environ deux minutes après, le moteur s'arrête. Puis le bip d'alarme se répète à de courts intervalles ce qui indique l'arrêt du moteur, puis 30 secondes après, le bip cesse. Toutefois, n'attendez pas que le moteur s'arrête (ou que le bip d'alarme devienne court) pour fermer la soupape d'entrée de la pompe et la soupape côté basse pression du collecteur.

Vérifiez que la pompe est hors tension, retirez la batterie et chargez-la ou remplacez-la par une batterie de rechange.

- Reportez-vous au tableau suivant pour l'autonomie de la batterie.

Autonomie (à titre indicatif)

Batterie	Autonomie
BL1860B	75 minutes
BL1850 / BL1850B	50 minutes
BL1840 / BL1840B	40 minutes
BL1830 / BL1830B	30 minutes

- Après avoir terminé votre travail, retirez la batterie et mettez en place le couvercle fourni.

REMARQUE : Lors du transport, du fonctionnement et du rangement de la pompe, ne la placez jamais sur le côté ou à l'envers. Cela pourrait provoquer une fuite d'huile du bouchon de remplissage de l'huile/évacuation.

Transport et rangement

- Vidangez toujours la pompe à vide de tous les liquides avant l'envoi pour éviter d'endommager le conteneur.
- Rebouchez toujours l'orifice d'admission avec le bouchon pour empêcher la poussière de pénétrer dans la pompe.
- Assurez-vous que la pompe est à l'horizontale.
- La pompe est rangée dans une température ambiante intérieure comprise entre 5 °C et 40 °C.

ENTRETIEN

ATTENTION : Assurez-vous toujours que la pompe est hors tension et la batterie retirée avant d'effectuer tout travail d'inspection ou d'entretien.

REMARQUE : N'utilisez jamais d'essence, de benzine, de diluant, d'alcool ou produits similaires. Ils présentent un risque de décoloration, de déformation ou de fissuration.

Pour assurer la SÉCURITÉ et la FIABILITÉ du produit, toute réparation, tout travail d'entretien ou de réglage doivent être effectués par un centre de service après-vente Makita agréé ou centre de service usine, avec des pièces de rechange Makita.

Arrêter la pompe :

Pour prolonger la durée de service de la pompe et faciliter le démarrage, respectez ces procédures d'arrêt de la pompe.

1. Fermez la soupape collectrice entre la pompe et le système.
2. Retirez le tube de l'entrée de la pompe.

Bouchez l'ouverture de l'orifice d'entrée pour empêcher la contamination ou la pénétration de corps étrangers dans l'orifice.

Vérification de l'huile

► Fig. 8 :

1. Trait de niveau
2. Voyant

- Vérifiez toujours le niveau de l'huile et sa qualité (détérioration, etc.) avant d'utiliser la pompe.

NOTE : Ajoutez de l'huile jusqu'à ce que le niveau d'huile se trouve entre les traits de niveau supérieur et inférieur du voyant.

Remplacement de l'huile

► Fig. 9 :

1. Robinet de sectionnement de l'admission
2. Bouchon de vidange

1. Ouvrez le robinet de sectionnement de l'admission.
2. Faites fonctionner la pompe pendant 1 à 2 minutes pour réchauffer l'huile.
3. Mettez la pompe hors tension.
4. Retirez le bouchon de vidange et vidangez l'huile.
5. Reportez-vous à « Ajout d'huile » et ajoutez de l'huile neuve.

- Jetez l'huile usée conformément aux réglementations locales.

NOTE : Il est recommandé de changer l'huile au bout de 20 heures d'utilisation pour protéger les éléments de la pompe des polluants absorbés dans la pompe.

Lorsque vous faites le vide d'anciens systèmes de réfrigération, changez l'huile après chaque utilisation.

Huile pour pompe à vide :

La qualité et le type d'huile utilisée dans une pompe à vide haute performance sont très importants pour déterminer le vide limite possible. Nous vous recommandons d'utiliser l'huile pour pompe à vide haute performance, laquelle est spécifiquement mélangée pour maintenir une viscosité maximale à une température normale et pour améliorer le démarrage par temps froid.

Nettoyage de la pompe

1. Lorsque l'huile est très sale, remplacez-la, puis faites fonctionner la pompe pendant 3 à 5 minutes.
2. Vidangez l'huile et ajoutez de l'huile neuve.

Si l'huile vidangée est toujours sale, répétez ce processus de nettoyage deux ou trois fois.

Dépannage

Condition	Cause possible	Solution
La pompe ne démarre pas.	<ol style="list-style-type: none">1. La batterie n'est pas correctement placée.2. La température ambiante est trop basse.3. Mauvais câblage.4. La pompe est verrouillée.5. Défaillance du moteur.	<ol style="list-style-type: none">1. Placez correctement la batterie.2. Réchauffez la pompe à l'intérieur.3. Réparez.4. Réparez.5. Réparez.
La pompe ne fait pas assez le vide.	<ol style="list-style-type: none">1. Fuite du système.2. Huile insuffisante.3. Huile sale.4. Les pièces de la pompe sont usées.5. Les raccords, garnitures et joints sont endommagés.6. Défaillance du moteur.	<ol style="list-style-type: none">1. Réparez le système.2. Remplissez d'huile ou changez-la.3. Nettoyez le réservoir et changez l'huile.4. Réparez.5. Réparez.6. Réparez.
Fuite d'huile.	<ol style="list-style-type: none">1. Les garnitures et les joints d'arbre sont endommagés.2. Le joint torique du bouchon de vidange d'huile est endommagé.3. Le bouchon de vidange d'huile est desserré.	<ol style="list-style-type: none">1. Réparez.2. Remplacez le joint torique.3. Serrez le bouchon de vidange d'huile.
Bruit inhabituel.	<ol style="list-style-type: none">1. Défaillance du moteur.2. Défaillance du roulement.3. Boulons desserrés.4. Défaillance de la pompe.5. L'air est aspiré.	<ol style="list-style-type: none">1. Réparez.2. Réparez.3. Serrez les boulons.4. Réparez.5. Serrez les bouchons et les connexions. Remplacez les garnitures et les joints toriques. Remplacez les raccords ou soudez-les à nouveau.

Remarque : Si ces procédures ne résolvent pas le problème, prenez contact avec votre distributeur Makita le plus proche ou envoyez votre pompe à notre centre de service après-vente.

ACCESSOIRES EN OPTION

⚠ ATTENTION : Ces accessoires ou pièces complémentaires sont recommandés pour l'utilisation avec l'outil Makita spécifié dans ce manuel. L'utilisation d'autres accessoires ou fixations peut présenter un risque de blessures. N'utilisez les accessoires ou fixations qu'aux fins auxquelles ils ont été conçus.

Si vous désirez obtenir plus de détails concernant ces accessoires, veuillez contacter votre centre de service après-vente local Makita.

- Batteries et chargeurs de marque Makita
- Huile pour pompe à vide 150 ml
- Boîtier en aluminium pour pompe à vide
- Tube pour pompe à vide
- Soupape pour pompe à vide avec jauge

NOTE : Il se peut que certains éléments de la liste soient compris dans l'emballage de l'outil en tant qu'accessoires standard. Ils peuvent varier d'un pays à l'autre.

TECHNISCHE DATEN

Modell:	DVP180
Akku (Kapazität)	BL 1860B (6,0 Ah) BL 1850 / BL 1850B (5,0 Ah) BL 1840 / BL 1840B (4,0 Ah) BL 1830 / BL 1830B (3,0 Ah)
Nennspannung	DC 18 V
Pumpe	Einstufen-Rotationspumpe
Freie Luftverdrängung	50 L/min
Höchster Unterdruck	20 Pa
Ölmenge	100 – 115 ml
Einlass	5/16" Bördelstutzen
Abmessungen	263 mm (L) × 93 mm (B) × 172 mm (H)
Nettogewicht (mit dem Akku BL1850)	3,5 kg

- Wir behalten uns vor, Änderungen der technischen Daten im Zuge der Entwicklung und des technischen Fortschritts ohne vorherige Ankündigung vorzunehmen.
- Die technischen Daten und der Akku können von Land zu Land unterschiedlich sein.
- Gewicht mit Akku nach EPTA-Verfahren 01/2003

Vakuumpumpe für Luftabsaugung geschlossener Systeme (Klimaanlagen, Tanks usw.).

Dieses Gerät ist speziell für HVAC&R-Systeme ausgelegt.

Die einfache Stufe dieser Pumpen macht es möglich, das angeforderte endgültige Vakuumniveau zu erreichen.

Ein großes Schauglas und ein niedriges Ölstanddesign vermeiden Betrieb ohne Öl und gewährleisten zuverlässige Benutzung.

Außerdem vermeidet das Rückschlagventil Ölvermischung aufgrund von Rückfluss nach einem Stromausfall oder jeder anderen Prozessunterbrechung.

Symbole

Nachfolgend werden die für das Gerät verwendeten Symbole beschrieben.

Machen Sie sich vor der Benutzung mit ihrer Bedeutung vertraut.



- Betriebsanleitung lesen.



- Warnung: heiße Oberfläche!
Nicht den Bereich um dieses Symbol berühren.
Berühren der Oberfläche kann Verbrennungen oder Verletzungen verursachen.



- Nur für EU-Länder
Entsorgen Sie Elektrogeräte oder Akkus nicht zusammen mit dem Hausmüll!
Unter Einhaltung der Europäischen Richtlinie über Elektro- und Elektronik-Altgeräte, Batterien, Akkus sowie verbrauchte Batterien und Akkus und ihre Umsetzung gemäß den Landesgesetzen müssen Elektrogeräte und Batterien bzw. Akkus, die das Ende ihrer Lebensdauer erreicht haben, getrennt gesammelt und einer umweltgerechten Recycling-Einrichtung zugeführt werden.

EG-KONFORMITÄTSERKLÄRUNG

Nur für europäische Länder

Die EG-Konformitätserklärung ist als Anhang A in dieser Bedienungsanleitung enthalten.

Allgemeine Sicherheitswarnungen für Elektrowerkzeuge

⚠️ WARNUNG: Lesen Sie alle Sicherheitswarnungen und Anweisungen durch. Eine Missachtung der Warnungen und Anweisungen kann zu einem elektrischen Schlag, Brand und/oder schweren Verletzungen führen.

Bewahren Sie alle Warnungen und Anweisungen für spätere Bezugnahme auf.

Der Ausdruck „Elektrowerkzeug“ in den Warnhinweisen bezieht sich auf Ihr mit Netzstrom (mit Kabel) oder Akku (ohne Kabel) betriebenes Elektrowerkzeug.

Sicherheit im Arbeitsbereich

1. **Halten Sie den Arbeitsbereich sauber und gut beleuchtet.** Unaufgeräumte oder dunkle Bereiche führen zu Unfällen.

2. **Betreiben Sie Elektrowerkzeuge nicht in explosiven Umgebungen, wie z. B. in Gegenwart von brennbaren Flüssigkeiten, Gasen oder Staub.** Elektrowerkzeuge erzeugen Funken, die den Staub oder die Dämpfe entzünden können.
3. **Halten Sie Kinder und Umstehende während der Benutzung eines Elektrowerkzeugs vom Arbeitsbereich fern.** Ablenkungen können dazu führen, dass Sie die Kontrolle verlieren.

Elektrische Sicherheit

4. **Der Stecker des Elektrowerkzeugs muss an die Steckdose angepasst sein. Der Stecker darf auf keinen Fall in irgendeiner Form abgeändert werden. Verwenden Sie keine Adapterstecker mit geerdeten Elektrowerkzeugen.** Vorschriftsmäßige Stecker und passende Steckdosen reduzieren die Stromschlaggefahr.
5. **Vermeiden Sie Körperkontakt mit geerdeten Gegenständen (z. B. Rohre, Kühler, Herde, Kühlschränke).** Es besteht erhöhte Stromschlaggefahr, falls Ihr Körper Erdkontakt hat.
6. **Setzen Sie Elektrowerkzeuge keinem Regen oder Nässe aus.** Wasser, das in ein Elektrowerkzeug eindringt, erhöht die Stromschlaggefahr.
7. **Behandeln Sie das Kabel sorgfältig. Benutzen Sie das Kabel niemals zum Tragen, Ziehen oder Abtrennen des Elektrowerkzeugs. Halten Sie das Kabel von Hitze, Öl, scharfen Kanten oder beweglichen Teilen fern.** Ein beschädigtes oder verheddertes Kabel erhöht die Stromschlaggefahr.
8. **Wenn Sie ein Elektrowerkzeug im Freien betreiben, verwenden Sie ein für Freiluftbenutzung geeignetes Verlängerungskabel.** Die Verwendung eines für Freiluftbenutzung geeigneten Kabels reduziert die Stromschlaggefahr.
9. **Lässt sich der Einsatz eines Elektrowerkzeugs in feuchter Umgebung nicht vermeiden, verwenden Sie eine Stromquelle, die mit einem Fehlerstrom-Schutzschalter (GFCI) geschützt ist.** Der GFCI verringert die Gefahr eines elektrischen Schlags.

Persönliche Sicherheit

10. **Bleiben Sie wachsam, und lassen Sie beim Umgang mit einem Elektrowerkzeug Vorsicht und gesunden Menschenverstand walten. Benutzen Sie keine Elektrowerkzeuge, wenn Sie müde sind oder unter dem Einfluss von Drogen, Alkohol oder Medikamenten stehen.** Ein Augenblick der Unachtsamkeit während der Benutzung von Elektrowerkzeugen kann zu schweren Verletzungen führen.
11. **Benutzen Sie persönliche Schutzausrüstung. Tragen Sie stets einen Augenschutz.** Sachgemäßer Gebrauch von Schutzausrüstung (z. B. Staubmaske, rutschfeste Sicherheitsschuhe, Helm und Gehörschutz) trägt zu einer Reduzierung der Verletzungsgefahr bei.
12. **Unbeabsichtigtes Einschalten verhindern.** Vergewissern Sie sich, dass sich der Ein-Aus-Schalter in der Aus-Stellung befindet, bevor Sie die Stromquelle und/oder den Akku anschließen bzw. das Werkzeug aufheben oder tragen. Das Tragen von Elektrowerkzeugen mit dem Finger am Ein-Aus-Schalter oder das Anschließen bei eingeschaltetem Ein-Aus-Schalter führt zu Unfällen.
13. **Etwaige Einstell- oder Schraubenschlüssel sind vor dem Einschalten des Elektrowerkzeugs zu entfernen.** Ein Schrauben- oder Einstellschlüssel, der auf einem rotierenden Teil des Elektrowerkzeugs stecken gelassen wird, kann zu einer Verletzung führen.
14. **Beugen Sie sich beim Betrieb nicht zu weit vor. Achten Sie bei der Arbeit stets auf sicheren Stand.** Sie haben dann in unerwarteten Situationen eine bessere Kontrolle über das Elektrowerkzeug.
15. **Zweckmäßige Kleidung tragen. Tragen Sie keine lose Kleidung oder Schmuck. Halten Sie Haare, Kleidung und Handschuhe von beweglichen Teilen fern.** Lose Kleidung, Schmuck oder langes Haar kann sich in beweglichen Teilen verfangen.
16. **Wenn Anschlussvorrichtungen für Staubabsaug- und Staubsammelgeräte vorhanden sind, sollten diese montiert und sachgerecht verwendet werden.** Durch Staubabsaugung können staubbezogene Gefahren reduziert werden.

Gebrauch und Pflege von Elektrowerkzeugen

17. **Setzen Sie Elektrowerkzeuge keiner Gewaltanwendung aus. Verwenden Sie das korrekte Elektrowerkzeug für Ihre Anwendung.** Ein korrektes Elektrowerkzeug verrichtet die anstehende Arbeit bei sachgemäßer Handhabung besser und sicherer.
18. **Benutzen Sie das Elektrowerkzeug nicht, wenn es sich nicht mit dem Ein-Aus-Schalter ein- und ausschalten lässt.** Ein Elektrowerkzeug, das nicht auf die Schalterbetätigung reagiert, ist gefährlich und muss repariert werden.
19. **Trennen Sie den Stecker von der Stromquelle und/oder den Akku vom Elektrowerkzeug, bevor Sie Einstellungen durchführen, Zubehör auswechseln oder das Elektrowerkzeug lagern.** Solche vorbeugenden Sicherheitsmaßnahmen reduzieren die Gefahr eines versehentlichen Einschaltens des Elektrowerkzeugs.
20. **Bewahren Sie benutzte Elektrowerkzeuge außer Reichweite von Kindern auf, und lassen Sie nicht zu, dass Personen, die nicht mit dem Elektrowerkzeug oder diesen Anweisungen vertraut sind, das Elektrowerkzeug benutzen.** Elektrowerkzeuge in den Händen unerfahrener Benutzer sind gefährlich.
21. **Pflegen Sie Elektrowerkzeuge. Überprüfen Sie Elektrowerkzeuge auf Fehlauseinrichtung oder Klemmen beweglicher Teile, Beschädigung von Teilen und andere Zustände, die ihren Betrieb beeinträchtigen können. Lassen Sie das Elektrowerkzeug bei Beschädigung vor Gebrauch reparieren.** Viele Unfälle werden durch schlecht gewartete Elektrowerkzeuge verursacht.

22. **Halten Sie Schneidwerkzeuge scharf und sauber.** Gut instand gehaltene Schneidwerkzeuge mit scharfen Schneiden sind weniger anfällig für Klemmen und lassen sich leichter handhaben.
23. **Benutzen Sie das Elektrowerkzeug, das Zubehör und die Werkzeugeinsätze usw. gemäß diesen Anweisungen unter Berücksichtigung der Arbeitsbedingungen und der durchzuführenden Arbeit.** Unsachgemäßer Gebrauch des Elektrowerkzeugs kann zu einer Gefahrensituation führen.
3. **Überprüfen Sie den Ölstand und den Ölzustand (Verschlechterung usw.), um sichere und effiziente Arbeit zu ermöglichen.**
4. **Tragen Sie eine Schutzbrille und Handschuhe beim Umgang mit Kältemittel; vermeiden Sie Kontakt mit Kältemittel.** Anderenfalls kann es zu Erblindung und Verletzungen des Bedieners kommen.
5. **In äußerst heißen oder kalten Umgebungen wird u. U. keine angemessene Leistung erhalten.**

Gebrauch und Pflege von Akkuwerkzeugen

24. **Laden Sie den Akku nur mit dem vom Hersteller vorgeschriebenen Ladegerät.** Ein Ladegerät, das für einen Akkutyp geeignet ist, kann bei Verwendung mit einem anderen Akku eine Brandgefahr darstellen.
25. **Benutzen Sie Elektrowerkzeuge nur mit den ausdrücklich vorgeschriebenen Akkus.** Bei Verwendung irgendwelcher anderer Akkus besteht Verletzungs- und Brandgefahr.
26. **Bewahren Sie den Akku bei Nichtgebrauch nicht zusammen mit Metallgegenständen, wie Büroklammern, Münzen, Schlüsseln, Nägeln, Schrauben, und anderen kleinen Metallteilen auf, welche die Kontakte kurzschließen können.** Kurzschließen der Akkukontakte kann Verbrennungen oder einen Brand verursachen.
27. **Bei Missbrauch kann Flüssigkeit aus dem Akku austreten.** Vermeiden Sie Kontakt mit dieser Flüssigkeit. Falls Sie versehentlich mit der Flüssigkeit in Berührung kommen, spülen Sie die betroffenen Stellen mit Wasser ab. Falls die Flüssigkeit in die Augen gelangt, suchen Sie zusätzlich ärztliche Hilfe auf. Die vom Akku austretende Flüssigkeit kann Hautreizungen oder Verätzungen verursachen.

Wartung

28. **Lassen Sie Ihr Elektrowerkzeug nur unter Verwendung identischer Ersatzteile von einem qualifizierten Wartungstechniker warten.** Dadurch wird die Aufrechterhaltung der Sicherheit des Elektrowerkzeugs gewährleistet.
29. **Befolgen Sie die Anweisungen für die Schmierung und den Austausch von Zubehör.**
30. **Halten Sie Griffe trocken, sauber und frei von Öl und Fett.**

Sicherheitswarnungen für Akku-Vakuumpumpe

Lesen Sie die Anweisungen in der Dokumentation aufmerksam durch. Strikte Einhaltung der Verfahren ist Hauptbedingung für Bedienersicherheit.

1. **Die Vakuumpumpe ist eine Maschine, die dazu verwendet wird, Kühlanlagen, Klimaanlage und Auffangbehälter zu entleeren. Benutzen Sie sie nicht für andere Anwendungen.** Anderenfalls kann es zu Unfällen kommen.
2. **Untersuchen Sie die Vakuumpumpe vor dem Gebrauch immer auf Öllecks.** Anderenfalls kann es zu einem Brand kommen.

DIESE ANWEISUNGEN AUFBEWAHREN.

⚠️ WARNUNG: Lassen Sie sich NICHT durch Bequemlichkeit oder Vertrautheit mit dem Produkt (durch wiederholten Gebrauch erworben) von der strikten Einhaltung der Sicherheitsregeln für das vorliegende Produkt abhalten.

MISSBRAUCH oder Missachtung der Sicherheitsvorschriften in dieser Anleitung können schwere Personenschäden verursachen.

Wichtige Sicherheitsanweisungen für Akku

1. **Lesen Sie vor der Benutzung des Akkus alle Anweisungen und Warnhinweise, die an (1) Ladegerät, (2) Akku und (3) Akkuwerkzeug angebracht sind.**
 2. **Unterlassen Sie Zerlegen des Akkus.**
 3. **Falls die Betriebszeit beträchtlich kürzer geworden ist, stellen Sie den Betrieb sofort ein.** Anderenfalls besteht die Gefahr von Überhitzung, möglichen Verbrennungen und sogar einer Explosion.
 4. **Falls Elektrolyt in Ihre Augen gelangt, waschen Sie sie mit sauberem Wasser aus, und suchen Sie unverzüglich ärztliche Hilfe auf.** Anderenfalls können Sie erblinden.
 5. **Der Akku darf nicht kurzgeschlossen werden:**
 - (1) **Die Kontakte dürfen nicht mit leitfähigem Material berührt werden.**
 - (2) **Vermeiden Sie die Lagerung des Akkus in einem Behälter zusammen mit anderen Metallgegenständen, wie z. B. Nägeln, Münzen usw.**
 - (3) **Setzen Sie den Akku weder Wasser noch Regen aus.**
- Ein Kurzschluss des Akkus kann einen starken Stromfluss, Überhitzung, mögliche Verbrennungen und sogar einen Ausfall verursachen.
6. **Lagern Sie das Werkzeug und den Akku nicht an Orten, an denen die Temperatur 50°C erreichen oder überschreiten kann.**
 7. **Versuchen Sie niemals, den Akku zu verbrennen, selbst wenn er stark beschädigt oder vollkommen verbraucht ist.** Der Akku kann im Feuer explodieren.
 8. **Achten Sie darauf, dass der Akku nicht fallen gelassen oder Stößen ausgesetzt wird.**

9. Benutzen Sie keine beschädigten Akkus.
10. Befolgen Sie die örtlichen Bestimmungen bezüglich der Entsorgung von Akkus.

DIESE ANWEISUNGEN AUFBEWAHREN.

⚠VORSICHT: Verwenden Sie nur Original-Makita-Akkus. Die Verwendung von Nicht-Original-Makita-Akkus oder von Akkus, die abgeändert worden sind, kann zum Bersten des Akkus und daraus resultierenden Bränden, Personenschäden und Beschädigung führen. Außerdem wird dadurch die Makita-Garantie für das Makita-Werkzeug und -Ladegerät ungültig.

Hinweise zur Aufrechterhaltung der maximalen Akku-Nutzungsdauer

1. Laden Sie den Akku, bevor er vollkommen erschöpft ist. Schalten Sie das Werkzeug stets aus, und laden Sie den Akku, wenn Sie ein Nachlassen der Werkzeulleistung feststellen.
2. Unterlassen Sie das erneute Laden eines voll aufgeladenen Akkus. Überladen führt zu einer Verkürzung der Nutzungsdauer des Akkus.
3. Laden Sie den Akku bei Raumtemperatur zwischen 10 – 40°C. Lassen Sie einen heißen Akku abkühlen, bevor Sie ihn laden.
4. Der Akku muss geladen werden, wenn er lange Zeit (länger als sechs Monate) nicht benutzt wird.

BESCHREIBUNG DER TEILE

► Abb. 1:

- | | |
|----------------------------|--------------------|
| 1. Schauglas | 7. Netzschalter |
| 2. Öleinfüll-/Auslasskappe | 8. LED-Lampe |
| 3. Ansaug-Absperrventil | 9. Motor |
| 4. Handgriff | 10. Sockel |
| 5. Akkuhalter | 11. Öltank |
| 6. Akku | 12. Ablassschraube |

FUNKTIONSBESCHREIBUNG

⚠VORSICHT: Vergewissern Sie sich vor der Durchführung von Einstellungen oder Funktionsprüfungen der Pumpe stets, dass die Pumpe ausgeschaltet und der Akku abgenommen ist.

Anbringen und Abnehmen des Akkus

⚠VORSICHT: Schalten Sie die Pumpe stets aus, bevor Sie die Akkus anbringen oder abnehmen.

⚠VORSICHT: Halten Sie die Pumpe und den Akku beim Anbringen oder Abnehmen des Akkus sicher fest. Wenn Sie die Pumpe und den Akku nicht sicher festhalten, können sie Ihnen aus der Hand rutschen, was zu einer Beschädigung der Pumpe und des Akkus und zu Personenschäden führen kann.

► Abb. 2:

1. Rote Anzeige
2. Knopf
3. Akku

Ziehen Sie den Akku zum Abnehmen von der Pumpe ab, während Sie den Knopf an der Vorderseite des Akkus verschieben.

Um den Akku anzubringen, richten Sie die Feder am Akku auf die Führungsnut im Gehäuse aus, und schieben den Akku hinein. Schieben Sie ihn vollständig ein, bis er mit einem hörbaren Klicken einrastet. Falls die rote Anzeige an der Oberseite des Knopfes sichtbar ist, ist der Akku nicht vollständig verriegelt.

⚠VORSICHT: Schieben Sie den Akku stets bis zum Anschlag ein, bis die rote Anzeige nicht mehr sichtbar ist. Anderenfalls kann er versehentlich aus der Pumpe herausfallen und Sie oder umstehende Personen verletzen.

⚠VORSICHT: Unterlassen Sie Gewaltanwendung beim Anbringen der Akkus. Falls die Akkus nicht reibungslos hineingleiten, sind sie nicht richtig ausgerichtet.

Akku-Schutzsystem

► Abb. 3:

1. Sternsymbol

Die Pumpe ist mit einem Akku-Schutzsystem ausgestattet. Dieses System schaltet die Stromversorgung des Motors automatisch ab, um die Akku-Lebensdauer zu verlängern.

Die Pumpe schaltet sich während des Betriebs automatisch ab, wenn Pumpe und/oder Akku einer der folgenden Bedingungen unterliegen:

Überlastung:

Die Pumpe wird auf eine Weise benutzt, die eine ungewöhnlich hohe Stromaufnahme bewirkt.

Schalten Sie in dieser Situation die Pumpe aus, und berechnen Sie die Arbeit ab, die eine Überlastung der Pumpe verursacht hat. Schalten Sie dann die Pumpe wieder ein, um die Arbeit fortzusetzen.

Falls die Pumpe nicht startet, ist der Akku überhitzt.

Lassen Sie den Akku in dieser Situation abkühlen, bevor Sie die Pumpe wieder einschalten.

Niedrige Akkuspannung:

Die Akku-Restkapazität ist zu niedrig, und die Pumpe funktioniert nicht. Nehmen Sie in dieser Situation den Akku ab, und laden Sie ihn auf.

HINWEIS: Der Überhitzungsschutz funktioniert nur mit Akkus, die mit einem Sternsymbol gekennzeichnet sind.

Anzeigen der Akku-Restkapazität

Nur für Akkus mit „B“ am Ende der Modellnummer

► Abb. 4:

1. Anzeigelampen
2. Prüftaste

Drücken Sie die Prüftaste am Akku, um die Akku-Restkapazität anzuzeigen. Die Anzeigelampen leuchten wenige Sekunden lang auf.

Anzeigelampen				Restkapazität
Erleuchtet	Aus	Blinkend		
■	□	▬		75% bis 100%
■	■	■	□	50% bis 75%
■	■	□	□	25% bis 50%
■	□	□	□	0% bis 25%
▬	□	□	□	Den Akku aufladen.
■	■	□	□	Möglicherweise liegt eine Funktionsstörung im Akku vor.
□	□	■	■	

HINWEIS: Abhängig von den Benutzungsbedingungen und der Umgebungstemperatur kann die Anzeige geringfügig von der tatsächlichen Kapazität abweichen.

BETRIEB

Die fabrikneue Pumpe enthält kein Öl. Nehmen Sie auf „Nachfüllen von Öl“ Bezug, und füllen Sie Öl ein.

⚠ WARNUNG: Betrieb der Pumpe ohne eingefülltes Öl führt zu einer Beschädigung der Pumpe. Außerdem wird der Öltank heiß, was zu Verbrennungen oder anderen Unfällen führen kann.

Nachfüllen von Öl

► Abb. 5:

1. Öleinfüll-/ Auslasskappe
2. Pegellinie
3. Schauglas
4. Öltank

1. Entfernen Sie die Öleinfüll-/Auslasskappe und füllen Sie das mitgelieferte Öl über den Einfüllstutzen ein.

BEMERKUNG: Verwenden Sie immer Original-Makita-Öl, um die Leistung der Pumpe aufrechtzuerhalten.

2. Füllen Sie Öl ein, bis der Ölstand zwischen der oberen und unteren Pegellinie des Schauglases liegt.

BEMERKUNG: Der Ölstand ist wichtig. Wird die Pumpe betrieben, wenn der Ölstand nicht zwischen der oberen und unteren Pegellinie steht, kann es zu einer Funktionsstörung kommen.

Überprüfen der Leistung

► Abb. 6:

1. Einlass
2. Ventil der Niederdruckseite
3. Vakuumpumpe
4. Verteiler
1. Verbinden Sie das Ventil auf der Niederdruckseite des Verteilers und den Ansaugkanal der Pumpe mit einem Füllschlauch.
2. Schließen Sie das Ventil auf der Niederdruckseite des Verteilers.
3. Öffnen Sie das Ansaug-Absperrventil.
4. Öffnen Sie das Einlassventil.
5. Schalten Sie die Pumpe ein. Wenn der Druckmesser des Verteilers innerhalb von 30 Sekunden einen Unterdruck von -0,09 bis -0,1 MPa anzeigt, funktioniert die Pumpe einwandfrei.
6. Schalten Sie die Pumpe aus.

Betrieb

► Abb. 7:

1. Vakuumpumpe
2. Ansaug-Absperrventil
3. Füllschlauch (gelb)
4. Verteiler
5. Ventil der Niederdruckseite
6. Niederdruckmesser
7. Ventil der Hochdruckseite
8. Füllschlauch (blau)
9. Servicekanal (Niederdruckseite)
10. Außengerät
1. Verbinden Sie die Pumpe, den Verteiler und die Außeneinheit mit Schläuchen.

HINWEIS: Wenn die Größe des Servicekanals am Gerät 1/4" beträgt, verwenden Sie den mitgelieferten Durchmesseranpassungsadapter.

2. Prüfen Sie, ob die Ventile auf der Hochdruck- und Niederdruckseite des Verteilers geschlossen sind.
3. Bringen Sie den Akku an der Pumpe an. (Angaben zum Installationsverfahren finden Sie unter „Anbringen und Abnehmen des Akkus“.)
4. Schalten Sie die Pumpe ein. Die LED-Lampe (grün) leuchtet auf.
5. Öffnen Sie das Ansaug-Absperrventil der Pumpe und das Ventil auf der Niederdruckseite des Verteilers.

⚠ WARNUNG: Die Pumpe wird während des Betriebs heiß und ist unmittelbar nach dem Abstellen noch heiß. Berühren Sie die Pumpe nicht im heißen Zustand. Anderenfalls kann es zu Verbrennungen oder anderen Unfällen kommen.

HINWEIS: Bei niedrigen Temperaturen (5°C oder weniger) funktioniert der Motor u. U. nicht. Bringen Sie in diesen Fällen die Pumpe in einen Innenraum, und lassen Sie sie aufwärmen.

- Wenn der vorgeschriebene Unterdruck (siehe das Handbuch des Klimaanlagenherstellers) erreicht ist, schließen Sie das Ventil auf der Niederdruckseite des Verteilers.
- Schließen Sie das Ansaug-Absperrventil, und schalten Sie die Pumpe aus.

Luftdichtheitstest

Es sind keine Undichtigkeiten vorhanden, wenn der Druck des Verteilers für 5 Minuten oder länger nach dem Verlassen von Pumpe und Verteiler nicht ansteigt.

HINWEIS: Wenn die Restkapazität des Akkus niedrig wird, erlischt die LED-Lampe, und gleichzeitig ertönt ein langer Alarmpiepton. Etwa zwei Minuten später bleibt der Motor stehen. Dann wechselt der Alarmpiepton zu einem Piepton mit kurzem Intervall, der auf den Motorstopp aufmerksam macht, und 30 Sekunden später verstummt der Piepton. Warten Sie jedoch nicht, bis der Motor stoppt (oder der Alarmpiepton zu einem Piepton mit kurzem Intervall wechselt), sondern schließen Sie das Einlassventil der Pumpe und das Ventil der Niederdruckseite des Verteilers.

Prüfen Sie, ob die Pumpe ausgeschaltet ist, entfernen Sie den Akku, und laden Sie ihn auf oder ersetzen Sie ihn durch einen Reserveakku.

- Die Akku-Betriebszeiten sind aus der folgenden Tabelle ersichtlich.

Betriebszeiten-Richtlinie

Akku	Betriebszeiten
BL1860B	75 Min.
BL1850 / BL1850B	50 Min.
BL1840 / BL1840B	40 Min.
BL1830 / BL1830B	30 Min.

- Entfernen Sie den Akku nach dem Abschluss der Arbeit, und bringen Sie die mitgelieferte Abdeckung an.

BEMERKUNG: Wenn Sie die Pumpe transportieren, betreiben und lagern, legen Sie sie niemals auf ihre Seite oder auf den Kopf. Dies kann zu einem Ölleck aus dem Öleinfüllstutzen bzw. der Lüftungskappe führen.

Transport und Lagerung

- Lassen Sie vor dem Transport immer alle Flüssigkeiten von Ihrer Vakuumpumpe ab, um eine Beschädigung des Behälters zu verhindern.
- Decken Sie den Ansaugkanal immer mit einer Kappe ab, um Eindringen von Staub in die Pumpe zu vermeiden.
- Achten Sie darauf, dass die Pumpe in einer horizontalen Position gehalten wird.
- Die Pumpe wird bei einer Innenraumtemperatur zwischen 5°C – 40°C gelagert.

WARTUNG

⚠ VORSICHT: Vergewissern Sie sich vor der Durchführung von Inspektions- oder Wartungsarbeiten stets, dass die Pumpe ausgeschaltet und der Akku abgenommen ist.

BEMERKUNG: Verwenden Sie auf keinen Fall Benzin, Waschbenzin, Verdünnern, Alkohol oder dergleichen. Solche Mittel können Verfärbung, Verformung oder Rissbildung verursachen.

Um die SICHERHEIT und ZUVERLÄSSIGKEIT dieses Produkts zu gewährleisten, sollten Reparaturen und andere Wartungs- oder Einstellarbeiten nur von Makita-Vertragswerkstätten oder Makita-Kundendienstzentren unter ausschließlicher Verwendung von Makita-Originalersatzteilen ausgeführt werden.

Abschalten der Pumpe:

Um die Lebensdauer der Pumpe zu verlängern und reibungsloses Starten zu gewährleisten, sollten diese Verfahren zum Abschalten der Pumpe befolgt werden.

- Schließen Sie das Verteilerventil zwischen der Pumpe und dem System.
- Entfernen Sie den Schlauch vom Pumpeneinlass.

Decken Sie die Öffnung des Einlasskanals ab, um Eindringen von Verschmutzung oder Fremdkörpern in den Kanal zu verhindern.

Kontrollieren des Ölstands

► Abb. 8:

- Pegellinie
 - Schauglas
- Überprüfen Sie immer den Ölstand und den Ölzustand (Verschlechterung usw.) vor dem Gebrauch der Pumpe.

HINWEIS: Füllen Sie Öl ein, bis der Ölstand zwischen der oberen und unteren Pegellinie des Schauglases liegt.

Ölwechsel

► Abb. 9:

- Ansaug-Absperrventil
 - Ablassschraube
- Öffnen Sie das Ansaug-Absperrventil.
 - Betreiben Sie die Pumpe für 1 bis 2 Minuten, um das Öl zu erwärmen.
 - Schalten Sie die Pumpe aus.
 - Entfernen Sie die Ablassschraube, und lassen Sie das Öl ab.
 - Nehmen Sie auf „Nachfüllen von Öl“ Bezug, und füllen Sie frisches Öl ein.
- Entsorgen Sie das Altöl im Einklang mit den lokalen Vorschriften.

HINWEIS: Es wird empfohlen, das Öl nach 20 Betriebsstunden zu wechseln, um die Pumpenkomponenten vor Fremdstoffen zu schützen, die in die Pumpe eingesaugt worden sind.

Wenn Sie alte Kühlanlagen absaugen, wechseln Sie das Öl nach jedem Gebrauch.

Vakuumpumpenöl:

Der Zustand und die Art des in jeder Hochleistungs-Vakuumpumpe verwendeten Öls sind äußerst wichtig bei der Bestimmung des letztlich erzielbaren Unterdrucks. Es wird empfohlen, Hochleistungs-Vakuumpumpenöl zu verwenden, das speziell gemischt ist, um maximale Viskosität bei normalen Temperaturen zu erzielen und das Starten bei kaltem Wetter zu verbessern.

Reinigen der Pumpe

1. Wenn das Öl stark verschmutzt ist, wechseln Sie das Öl und betreiben Sie dann die Pumpe für 3 bis 5 Minuten.
2. Lassen Sie das Öl ab, und füllen Sie neues Öl ein. Falls das abgelassene Öl noch immer schmutzig ist, wiederholen Sie diesen Reinigungsprozess zwei bis dreimal.

Fehlersuche

Zustand	Mögliche Ursache	Lösung
Die Pumpe läuft nicht an.	<ol style="list-style-type: none">1. Der Akku ist nicht richtig eingesetzt.2. Die Umgebungstemperatur ist zu niedrig.3. Schlechter Kabelanschluss.4. Die Pumpe ist verriegelt.5. Motorstörung.	<ol style="list-style-type: none">1. Akku ordnungsgemäß einsetzen.2. Pumpe in einem Innenraum erwärmen.3. Reparieren.4. Reparieren.5. Reparieren.
Die Pumpe erzeugt nicht genügend Unterdruck.	<ol style="list-style-type: none">1. Undichtigkeit des Systems.2. Unzureichende Ölmenge.3. Verschmutztes Öl.4. Pumpenteile sind verschlissen.5. Beschädigte Anschlussstutzen, Dichtungen und Wellendichtung.6. Motorstörung.	<ol style="list-style-type: none">1. System reparieren.2. Öl nachfüllen oder wechseln.3. Behälter reinigen und Öl wechseln.4. Reparieren.5. Reparieren.6. Reparieren.
Ölleckage.	<ol style="list-style-type: none">1. Beschädigte Dichtungen und Wellendichtungen.2. Beschädigter O-Ring der Ölablassschraube.3. Ölablassschraube ist locker.	<ol style="list-style-type: none">1. Reparieren.2. O-Ring ersetzen.3. Ölablassschraube festziehen.
Anormale Geräusche.	<ol style="list-style-type: none">1. Motorstörung.2. Lagerstörung.3. Lockere Schrauben.4. Pumpenstörung.5. Luft wird angesaugt.	<ol style="list-style-type: none">1. Reparieren.2. Reparieren.3. Schrauben festziehen.4. Reparieren.5. Kappen und Anschlüsse festziehen. Dichtungen und O-Ringe ersetzen. Anschlussstutzen ersetzen oder neu abdichten.

Anmerkung: Falls das Problem durch diese Verfahren nicht gelöst wird, kontaktieren Sie Ihren nächsten Makita-Vertragshändler oder schicken Sie Ihre Pumpe zu unserem Kundenzentrum.

SONDERZUBEHÖR

⚠ VORSICHT: Die folgenden Zubehörteile oder Vorrichtungen werden für den Einsatz mit dem in dieser Anleitung beschriebenen Makita-Werkzeug empfohlen. Die Verwendung anderer Zubehörteile oder Vorrichtungen kann eine Verletzungsgefahr darstellen. Verwenden Sie Zubehörteile oder Vorrichtungen nur für ihren vorgesehenen Zweck.

Wenn Sie weitere Einzelheiten bezüglich dieser Zubehörteile benötigen, wenden Sie sich bitte an Ihre Makita-Kundendienststelle.

- Original-Makita-Akkus und -Ladegeräte
- Vakuumpumpenöl 150 ml
- Vakuumpumpen-Aluminiumgehäuse
- Vakuumpumpenschlauch
- Vakuumpumpenventil mit Druckmesser

HINWEIS: Manche Teile in der Liste können als Standardzubehör im Werkzeugsatz enthalten sein. Sie können von Land zu Land unterschiedlich sein.

DATI TECNICI

Modello:	DVP180
Cartuccia della batteria (capacità)	BL 1860B (6,0 Ah) BL 1850 / BL 1850B (5,0 Ah) BL 1840 / BL 1840B (4,0 Ah) BL 1830 / BL 1830B (3,0 Ah)
Tensione nominale	18 V CC
Pompa	Pompa rotativa monostadio
Portata aria libera	50 L/min
Vuoto finale	20 Pa
Capacità olio	100 – 115 ml
Aspirazione	Maschio svasato da 5/16"
Dimensioni	263 mm (L) × 93 mm (P) × 172 mm (A)
Peso netto (con batteria BL1850)	3,5 kg

- In conseguenza del nostro programma continuativo di ricerca e sviluppo, i dati tecnici riportati nel presente documento sono soggetti a modifiche senza preavviso.
- I dati tecnici e la cartuccia della batteria possono variare da una nazione all'altra.
- Peso, cartuccia della batteria inclusa, in base alla Procedura EPTA 01/2003

Pompa per vuoto per l'evacuazione dell'aria da sistemi chiusi (condizionatori d'aria, serbatoi, e così via).

Il presente apparecchio è progettato specificamente per sistemi di riscaldamento, ventilazione, climatizzazione e refrigerazione dell'aria.

Il singolo stadio di queste pompe le rende idonee a ottenere il livello di vuoto finale necessario.

Un'ampia spia di livello dell'olio e la progettazione a basso livello d'olio evitano il funzionamento senza olio e assicurano un utilizzo affidabile.

Inoltre, la valvola antiriflusso evita eventuali mescolanze dell'olio a causa del riflusso dopo un'interruzione dell'alimentazione elettrica o qualsiasi altra interruzione del processo.

Simboli

Di seguito sono indicati i simboli utilizzati per l'apparecchio.

Accertarsi di comprenderne il significato prima dell'uso.



- Leggere le istruzioni per l'uso.



- Avvertenza: superficie molto calda!
Non toccare l'area circostante questo simbolo. Qualora si tocchi la superficie, si potrebbero causare ustioni o lesioni personali.



- Solo per le nazioni UE
Non smaltire gli apparecchi elettrici o le batterie insieme ai normali rifiuti domestici!
In osservanza delle Direttive europee sui Rifiuti di apparecchiature elettriche ed elettroniche (RAEE) e su batterie e accumulatori e rifiuti di batterie e accumulatori, e della relativa implementazione in conformità alle leggi nazionali, le apparecchiature elettriche e le batterie e le cartucce delle batterie che abbiano raggiunto la fine della loro vita utile devono essere sottoposte a raccolta differenziata e conferite a una struttura di riciclaggio ecocompatibile.

DICHIARAZIONE DI CONFORMITÀ CE

Solo per le nazioni europee

La dichiarazione di conformità CE è inclusa come allegato A alle presenti istruzioni per l'uso.

Avvertenze generali relative alla sicurezza degli utensili elettrici

AVVERTIMENTO: leggere tutte le avvertenze di sicurezza e tutte le istruzioni. La mancata osservanza delle avvertenze e delle istruzioni può risultare in scosse elettriche, incendi e/o gravi lesioni personali.

Conservare tutte le avvertenze e le istruzioni come riferimento futuro.

Il termine "utensile elettrico" nelle avvertenze si riferisce agli utensili elettrici (cablati) funzionanti ad alimentazione da rete elettrica o agli utensili elettrici (senza fili) funzionanti a batteria utilizzati dall'utente.

Sicurezza dell'area di lavoro

1. **Tenere l'area di lavoro pulita e ben illuminata.**
Aree di lavoro ingombre o buie favoriscono gli incidenti.

2. **Non utilizzare utensili elettrici in atmosfere esplosive, ad esempio in presenza di liquidi, gas o polveri infiammabili.** Gli utensili elettrici creano scintille che possono incendiare le polveri o i fumi.
3. **Tenere bambini e astanti lontani durante l'utilizzo di un utensile elettrico.** Le distrazioni possono causare la perdita di controllo da parte dell'utente.

Sicurezza elettrica

4. **Le spine degli utensili elettrici devono essere compatibili con le prese elettriche. Non modificare mai la spina in alcun modo. Non utilizzare spinotti adattatori con utensili elettrici dotati di messa a terra (schermati).** Spine non modificate e prese elettriche compatibili riducono il rischio di scosse elettriche.
5. **Evitare il contatto del corpo con superfici collegate a terra quali tubi, radiatori, cucine e frigoriferi.** Sussiste un maggior rischio di scossa elettrica qualora il corpo sia collegato a terra.
6. **Non esporre gli utensili elettrici alla pioggia o a condizioni di umidità.** Qualora dell'acqua penetri in un utensile elettrico, aumenta il rischio di scosse elettriche.
7. **Non sottoporre a stress il cavo. Non utilizzare mai il cavo per trasportare, tirare o scollegare dall'alimentazione l'utensile elettrico. Tenere il cavo lontano da fonti di calore, olio, bordi affilati o parti in movimento.** Cavi danneggiati o intrecciati comportano un aumento del rischio di scosse elettriche.
8. **Quando si intende utilizzare un utensile elettrico all'aperto, utilizzare un cavo di prolunga idoneo per l'uso all'aperto.** L'utilizzo di un cavo idoneo per l'uso all'aperto riduce il rischio di scosse elettriche.
9. **Qualora l'utilizzo di un utensile elettrico in un'ubicazione umida sia inevitabile, utilizzare una fonte di alimentazione protetta con un interruttore differenziale (salvavita).** L'utilizzo di un salvavita riduce il rischio di scosse elettriche.

Sicurezza personale

10. **Non distrarsi, fare attenzione a quello che si sta facendo e adottare il buon senso quando si utilizza un utensile elettrico. Non utilizzare un utensile elettrico quando si è stanchi o sotto l'influenza di droghe, alcolici o farmaci.** Un momento di disattenzione durante l'utilizzo di utensili elettrici potrebbe risultare in gravi lesioni personali.
11. **Utilizzare attrezzature di protezione personale. Indossare sempre protezioni per gli occhi.** Le attrezzature di protezione, quali maschere antipolvere, scarpe di sicurezza antiscivolo, elmetti di sicurezza o protezioni per l'udito, utilizzate per le condizioni appropriate, riducono le lesioni personali.
12. **Evitare l'avvio accidentale. Accertarsi che l'interruttore sia nella posizione di spegnimento prima di collegare l'utensile alla fonte di alimentazione e/o alla batteria, prenderlo in mano o trasportarlo.** Il trasporto di utensili elettrici con un dito sull'interruttore o l'erogazione dell'alimentazione a utensili elettrici che abbiano l'interruttore di accensione attivato favoriscono gli incidenti.

13. **Rimuovere eventuali chiavi o brugole di regolazione prima di accendere l'utensile.** Una brugola o una chiave lasciata agganciata a una parte girevole dell'utensile elettrico potrebbero risultare in lesioni personali.
14. **Non sporgersi eccessivamente. Mantenere un appoggio sui piedi e un equilibrio corretti in qualsiasi momento.** Ciò consente un miglior controllo dell'utensile elettrico in situazioni impreviste.
15. **Vestirsi in modo appropriato. Non indossare indumenti abbondanti o gioielli. Tenere capelli, indumenti e guanti lontani dalle parti in movimento.** Indumenti abbondanti, gioielli o capelli lunghi possono restare impigliati nelle parti in movimento.
16. **Qualora siano forniti dispositivi per il collegamento di apparecchiature di estrazione e raccolta delle polveri, accertarsi che siano collegati e utilizzati correttamente.** L'utilizzo della raccolta delle polveri può ridurre i rischi correlati alle polveri.

Uso e cura dell'utensile elettrico

17. **Non forzare l'utensile elettrico. Utilizzare l'utensile elettrico corretto per la propria applicazione.** L'utensile elettrico corretto svolge il lavoro in modo migliore e più sicuro se utilizzato alla velocità per la quale è stato progettato.
18. **Non utilizzare l'utensile elettrico qualora l'interruttore non consenta di accenderlo e spegnerlo.** Qualsiasi utensile elettrico che non possa venire controllato con l'interruttore è pericoloso e deve essere riparato.
19. **Scollegare la spina dalla fonte di alimentazione e/o la batteria dall'utensile elettrico prima di effettuare qualsiasi regolazione, sostituire gli accessori o riporre gli utensili elettrici.** Queste misure di sicurezza preventive riducono il rischio di avvio accidentale dell'utensile elettrico.
20. **Conservare gli utensili elettrici inutilizzati fuori dalla portata dei bambini, e non consentire a persone che non abbiano familiarità con l'utensile elettrico o con le presenti istruzioni di utilizzare l'utensile elettrico.** Gli utensili elettrici sono pericolosi nelle mani di utenti non addestrati.
21. **Sottoporre a manutenzione gli utensili elettrici. Controllare l'eventuale presenza di disallineamenti o inceppamenti delle parti mobili, rotture delle parti e qualsiasi altra condizione che potrebbe influenzare il funzionamento dell'utensile elettrico.** Qualora l'utensile elettrico sia danneggiato, farlo riparare prima dell'uso. Numerosi incidenti sono causati da utensili elettrici sottoposti a manutenzione insufficiente.
22. **Tenere gli utensili da taglio affilati e puliti.** Utensili da taglio sottoposti a manutenzione corretta con taglienti affilati hanno una minore probabilità di incepparsi e sono più facili da controllare.
23. **Utilizzare l'utensile elettrico, gli accessori e le punte dell'utensile, e così via, in conformità alle presenti istruzioni, tenendo conto delle condizioni di lavoro e del lavoro da eseguire.** L'utilizzo dell'utensile elettrico per operazioni diverse da quelle a cui è destinato potrebbe risultare in situazioni pericolose.

Uso e cura delle batterie

24. **Ricaricare solo con il caricabatterie specificato dal produttore.** Un caricabatterie idoneo per un tipo di batteria potrebbe creare un rischio di incendio, se utilizzato con un altro tipo di batteria.
25. **Utilizzare gli utensili elettrici solo con le batterie specificamente designate.** L'utilizzo di qualsiasi altro tipo di batterie potrebbe creare un rischio di lesioni personali e di incendio.
26. **Quando la batteria non è in uso, tenerla lontana da oggetti metallici, quali graffette, monete, chiavi, chiodi, viti o altri piccoli oggetti metallici, che possono fare contatto da un terminale all'altro.** La messa in cortocircuito dei terminali della batteria tra di loro potrebbe causare ustioni o un incendio.
27. **In condizioni di uso improprio, dalla batteria potrebbe venire espulso del liquido: evitare il contatto con tale liquido. Qualora si verifichi un contatto accidentale, lavare abbondantemente con acqua. Qualora il liquido entri in contatto con gli occhi, cercare anche assistenza medica.** Il liquido espulso dalla batteria potrebbe causare irritazioni o ustioni.

Assistenza

28. **Far eseguire la manutenzione dell'utensile elettrico da personale di assistenza qualificato che utilizzi solo pezzi di ricambio identici.** Questo garantisce che la sicurezza dell'utensile elettrico venga preservata.
29. **Attenersi alle istruzioni per la lubrificazione e la sostituzione degli accessori.**
30. **Tenere le maniglie asciutte, pulite e prive di olio e grasso.**

Avvertenze di sicurezza relative alla pompa per vuoto senza fili

Leggere con attenzione le istruzioni nella documentazione: una rigorosa osservanza delle procedure è una condizione principale per la sicurezza dell'operatore.

1. **La pompa per vuoto è una macchina utilizzata per evacuare apparecchiature di refrigerazione e di condizionamento dell'aria e contenitori di recupero. Non utilizzarla per altre applicazioni.** In caso contrario, si potrebbero causare incidenti.
2. **Ispezionare sempre la pompa per vuoto alla ricerca di eventuali perdite d'olio, prima dell'uso.** La mancata osservanza di questa istruzione potrebbe risultare in un incendio.
3. **Per consentire un lavoro sicuro ed efficiente, controllare il livello dell'olio e le condizioni (deterioramento, e così via).**
4. **Quando si intende maneggiare del refrigerante, indossare occhiali e guanti di sicurezza; evitare il contatto con il refrigerante, in caso contrario si potrebbero causare cecità e lesioni personali dell'operatore.**
5. **Potrebbe non essere possibile ottenere prestazioni adeguate in ambienti estremamente caldi o estremamente freddi.**

CONSERVARE QUESTE ISTRUZIONI.

AVVERTIMENTO: NON lasciare che la comodità o la familiarità con il prodotto (ottenute dall'utilizzo ripetuto) sostituiscano una rigorosa osservanza delle regole di sicurezza per il prodotto in questione.

L'USO IMPROPRIO o la mancata osservanza delle regole di sicurezza definite nelle presenti istruzioni per l'uso potrebbero causare gravi lesioni personali.

Istruzioni per la sicurezza importanti relative alla cartuccia della batteria

1. **Prima di utilizzare la cartuccia della batteria, leggere tutte le istruzioni e le indicazioni di precauzione riportate su (1) caricabatterie, (2) batteria e (3) prodotto che utilizza la batteria.**
2. **Non smontare la cartuccia della batteria.**
3. **Qualora il tempo di funzionamento si sia ridotto eccessivamente, interrompere immediatamente l'uso. In caso contrario, si potrebbe causare il rischio di surriscaldamento, la possibilità di ustioni e persino un'esplosione.**
4. **Qualora del liquido elettrolitico penetri negli occhi, sciacquarli con acqua pulita e cercare immediatamente assistenza medica. Questa eventualità potrebbe risultare nella perdita della vista.**
5. **Non cortocircuitare la cartuccia della batteria:**
 - (1) **Non toccare i terminali con materiale conduttivo.**
 - (2) **Evitare di conservare la batteria in un contenitore con altri oggetti metallici, quali chiodi, monete, e così via.**
 - (3) **Non esporre la cartuccia della batteria all'acqua o alla pioggia.**

Un cortocircuito della batteria può causare un ampio flusso di corrente, surriscaldamenti, possibilità di ustioni e anche guasti.

6. **Non conservare l'utensile e la cartuccia della batteria in ubicazioni in cui la temperatura possa raggiungere o superare i 50°C.**
7. **Non bruciare la cartuccia della batteria anche qualora sia gravemente danneggiata o sia completamente esausta. La cartuccia della batteria può esplodere a contatto con il fuoco.**
8. **Fare attenzione a non far cadere e a non colpire la batteria.**
9. **Non utilizzare una batteria danneggiata.**
10. **Attenersi alle normative locali relative allo smaltimento della batteria.**

CONSERVARE QUESTE ISTRUZIONI.

ATTENZIONE: Utilizzare esclusivamente batterie originali Makita. L'uso di batterie non originali Makita o di batterie che siano state alterate potrebbe risultare nello scoppio della batteria, causando incendi, lesioni personali e danni alle cose. Inoltre, questo invalida la garanzia Makita per l'utensile e per il caricabatterie Makita.

Suggerimenti per mantenere la durata massima della batteria

1. Caricare la cartuccia della batteria prima che sia completamente scarica. Arrestare sempre il funzionamento dell'utensile e caricare la cartuccia della batteria quando si nota una riduzione della potenza dell'utensile.
2. Non ricaricare mai una cartuccia della batteria completamente carica. La sovraccarica riduce la vita utile della batteria.
3. Caricare la cartuccia della batteria a una temperatura ambiente compresa tra 10°C e 40°C. Lasciar raffreddare una cartuccia della batteria molto calda prima di caricarla.
4. Caricare la cartuccia della batteria qualora non si intenda utilizzarla per un periodo di tempo prolungato (più di sei mesi).

DESCRIZIONE DELLE PARTI

► Fig. 1:

- | | |
|---|-------------------------------|
| 1. Spia di livello dell'olio | 7. Interruttore di accensione |
| 2. Tappo di rabbocco olio/scarico aria | 8. Indicatore a LED |
| 3. Valvola di chiusura dell'aspirazione | 9. Motore |
| 4. Maniglia | 10. Base |
| 5. Portabatteria | 11. Serbatoio dell'olio |
| 6. Batteria | 12. Tappo di scarico |

DESCRIZIONE FUNZIONALE

⚠ATTENZIONE: accertarsi sempre che la pompa sia spenta e che la cartuccia della batteria sia stata rimossa, prima di regolare o controllare il funzionamento della pompa.

Installazione o rimozione della cartuccia della batteria

⚠ATTENZIONE: spegnere sempre la pompa prima di installare o rimuovere la cartuccia della batteria.

⚠ATTENZIONE: mantenere saldamente la pompa e la cartuccia della batteria, quando si intende installare o rimuovere la cartuccia della batteria. Qualora non si mantengano saldamente la pompa e la cartuccia della batteria, queste ultime potrebbero scivolare dalle mani e causare danni alla pompa e alla cartuccia della batteria stesse, nonché lesioni personali.

► Fig. 2:

- | | |
|---------------------|-----------------------------|
| 1. Indicatore rosso | 3. Cartuccia della batteria |
| 2. Pulsante | |

Per rimuovere la cartuccia della batteria, farla scivolare via dalla pompa mentre si fa scorrere il pulsante sulla parte anteriore della cartuccia.

Per installare la cartuccia della batteria, allineare la linguetta sulla cartuccia della batteria con la scanalatura nell'alloggiamento e farla scivolare in sede. Inserirli completamente fino a farla bloccare in sede con un piccolo scatto. Qualora si veda l'indicatore rosso sul lato superiore del pulsante, la batteria non è bloccata completamente.

⚠ATTENZIONE: installare sempre a fondo la cartuccia dalla batteria fino a non vedere più l'indicatore rosso. In caso contrario, la batteria potrebbe cadere accidentalmente fuori dalla pompa, causando lesioni personali all'utilizzatore o alle persone circostanti.

⚠ATTENZIONE: non installare forzatamente la cartuccia della batteria. Qualora la cartuccia non scorra agevolmente, significa che non è inserita correttamente.

Sistema di protezione della batteria

► Fig. 3:

1. Indicazione a stella

La pompa è dotata di un sistema di protezione della batteria. Tale sistema interrompe automaticamente l'alimentazione al motore per prolungare la vita utile della batteria.

La pompa si arresta automaticamente durante il funzionamento qualora la pompa e/o la batteria vengano a trovarsi in una delle condizioni seguenti:

Sovraccaricata:

La pompa viene fatta funzionare in un modo che causi un assorbimento di corrente elevato in modo anomalo.

In questa situazione, spegnere la pompa e interrompere l'applicazione che ha causato il sovraccarico della pompa. Quindi, riaccendere la pompa per riavviarla.

Qualora la pompa non si avvii, la batteria è surriscaldata. In questa situazione, lasciar raffreddare la batteria prima di riaccendere la pompa.

Bassa tensione della batteria:

La carica residua della batteria è troppo bassa e la pompa non può funzionare. In questa situazione, rimuovere e ricaricare la batteria.

NOTA: la protezione dal surriscaldamento funziona solo con le cartucce delle batterie che recano l'indicazione di una stella.

Indicazione della carica residua della batteria

Solo per cartucce delle batterie con l'indicazione "B" alla fine del numero del modello

► Fig. 4:

1. Indicatori luminosi
2. Pulsante di controllo

Premere il pulsante di controllo sulla cartuccia della batteria per indicare la carica residua della batteria. Gli indicatori luminosi si illuminano per alcuni secondi.

Indicatori luminosi			Carica residua
■	□	◐	
Illuminato	Spento	Lampeggiante	
■ ■ ■ ■			Dal 75% al 100%
■ ■ ■ □			Dal 50% al 75%
■ ■ □ □			Dal 25% al 50%
■ □ □ □			Dallo 0% al 25%
◐ □ □ □			Caricare la batteria.
■ ■ □ □	□ □	■ ■	La batteria potrebbe essersi guastata.

NOTA: a seconda delle condizioni d'uso e della temperatura ambiente, l'indicazione potrebbe variare leggermente rispetto alla carica effettiva.

FUNZIONAMENTO

La pompa non contiene olio al momento dell'acquisto. Vedere "Aggiunta dell'olio" e aggiungere olio.

AVVERTIMENTO: qualora si faccia funzionare la pompa senza aver aggiunto l'olio, la pompa viene danneggiata. Inoltre, il serbatoio dell'olio diventa estremamente caldo, e potrebbe causare ustioni o altri incidenti.

Aggiunta dell'olio

► Fig. 5:

1. Tappo di rabbocco
 2. Linea del livello
 3. Spia di livello dell'olio
 4. Serbatoio dell'olio
1. Rimuovere il tappo di rabbocco olio/scarico aria e aggiungere l'olio in dotazione attraverso l'apertura del bocchettone di riempimento.

AVVISO: utilizzare sempre olio Makita originale al fine di preservare le prestazioni della pompa.

2. Aggiungere olio fino a quando il livello dell'olio si trova tra la linea superiore e quella inferiore della spia di livello dell'olio.

AVVISO: il livello dell'olio è importante. Qualora si faccia funzionare la pompa quando il livello dell'olio non si trova tra la linea di livello superiore e quella inferiore, si potrebbe causare un guasto.

Controllo delle prestazioni

► Fig. 6:

1. Aspirazione
 2. Valvola sul lato basso
 3. Pompa per vuoto
 4. Collettore
1. Collegare la valvola sul lato basso del collettore al foro di aspirazione della pompa con un tubo flessibile di carico.
 2. Chiudere la valvola sul lato basso del collettore.
 3. Aprire la valvola di chiusura dell'aspirazione.
 4. Aprire la valvola di immissione.
 5. Accendere la pompa. Se la pressione del collettore indica un vuoto compreso tra -0,09 e -0,1 MPa entro 30 secondi, la pompa sta funzionando correttamente.
 6. Spegnere la pompa.

Funzionamento

► Fig. 7:

1. Pompa per vuoto
 2. Valvola di chiusura dell'aspirazione
 3. Tubo flessibile di carico (giallo)
 4. Collettore
 5. Valvola sul lato basso
 6. Manometro di bassa pressione
 7. Valvola sul lato alto
 8. Tubo flessibile di carico (blu)
 9. Passaggio di servizio (lato bassa pressione)
 10. Unità esterna
1. Collegare la pompa, il collettore e l'unità esterna con dei tubi flessibili.

NOTA: quando la dimensione del passaggio di servizio dell'unità è di 1/4", utilizzare l'adattatore per diametro diverso in dotazione.

2. Verificare che le valvole sul lato alto e sul lato basso del collettore siano chiuse.
3. Installare la batteria nella pompa (per il metodo di installazione, vedere "Installazione o rimozione della cartuccia della batteria").
4. Accendere la pompa. L'indicatore a LED (verde) si illumina.
5. Aprire la valvola di chiusura dell'aspirazione della pompa e la valvola sul lato basso del collettore.

AVVERTIMENTO: la pompa diventa molto calda durante il funzionamento e subito dopo l'arresto. Non toccare la pompa quando è molto calda. In caso contrario, si potrebbero causare ustioni o altri incidenti.

NOTA: il motore potrebbe non funzionare quando è freddo (5°C o meno). In questi casi, portare la pompa al chiuso e lasciarla riscaldare.

6. Quando si raggiunge il vuoto specificato (fare riferimento al manuale fornito dal produttore del condizionatore d'aria), chiudere la valvola sul lato basso del collettore.
7. Chiudere la valvola di chiusura dell'aspirazione e spegnere la pompa.

Test di ermeticità

Se la pressione del collettore non aumenta per almeno 5 minuti dopo aver lasciato in funzione la pompa e il collettore, non vi sono perdite.

NOTA: quando la carica residua della batteria diventa bassa, l'indicatore a LED si spegne e contemporaneamente inizia a suonare un lungo segnale acustico di allarme. Circa due minuti dopo il motore si arresta. Quindi, il segnale acustico di allarme cambia in un segnale acustico ripetuto a brevi intervalli che notifica l'arresto del motore, e 30 secondi dopo il segnale acustico si interrompe. Tuttavia, non attendere che il motore si arresti (o che il segnale acustico di allarme cambi in un segnale acustico di breve durata); chiudere, invece, la valvola di immissione della pompa e la valvola sul lato a bassa pressione del collettore.

Controllare che la pompa sia spenta, rimuovere la batteria e caricarla o sostituirla con una batteria di ricambio.

- Per i tempi di funzionamento della batteria, vedere la tabella seguente.

Tempi di funzionamento (indicativi)

Batteria	Tempi di funzionamento
BL1860B	75 min
BL1850 / BL1850B	50 min
BL1840 / BL1840B	40 min
BL1830 / BL1830B	30 min

- Al termine del lavoro, rimuovere la batteria e montare il coperchio in dotazione.

AVVISO: quando si intende trasportare, far funzionare e conservare la pompa, non appoggiarla mai di lato o capovolta. Questo potrebbe causare la fuoriuscita dell'olio dal tappo di rabbocco olio/scarico aria.

Trasporto e conservazione

- Scaricare sempre la pompa per vuoto di qualsiasi fluido prima di trasportarla, per evitare danneggiamenti del contenitore.
- Coprire sempre il foro di aspirazione con il tappo, per evitare che le polveri penetrino nella pompa.
- Accertarsi che la pompa venga mantenuta in posizione orizzontale.
- La pompa va conservata a una temperatura ambiente al chiuso compresa tra 5°C e 40°C.

MANUTENZIONE

ATTENZIONE: accertarsi sempre che la pompa sia spenta e che la cartuccia della batteria sia stata rimossa, prima di tentare di effettuare ispezioni o manutenzione.

AVVISO: non utilizzare mai benzina, benzina di pulizia, solventi, alcol o sostanze simili. In caso contrario, si potrebbero causare scolorimenti, deformazioni o spaccature.

Per preservare la SICUREZZA e l'AFFIDABILITÀ del prodotto, le riparazioni e qualsiasi altro intervento di manutenzione o regolazione vanno fatti eseguire da Centri di assistenza autorizzati Makita, utilizzando sempre pezzi di ricambio Makita.

Arrestare la pompa:

Per prolungare la vita utile della pompa e farla avviare senza problemi, occorre attenersi alle procedure seguenti per spegnere la pompa.

1. Chiudere la valvola del collettore tra la pompa e il sistema.
2. Rimuovere il tubo flessibile dall'entrata della pompa.

Coprire l'apertura del foro di entrata per evitare che contaminazione o particelle estranee penetrino nel foro.

Controllo dell'olio

► Fig. 8:

1. Linea del livello
2. Spia di livello dell'olio

- Prima di utilizzare la pompa, controllare sempre il livello dell'olio e le condizioni (deterioramento, e così via).

NOTA: aggiungere olio fino a quando il livello dell'olio si trova tra la linea superiore e quella inferiore della spia di livello dell'olio.

Sostituzione dell'olio

► Fig. 9:

1. Valvola di chiusura dell'aspirazione
2. Tappo di scarico

1. Aprire la valvola di chiusura dell'aspirazione.
 2. Far funzionare la pompa per 1 o 2 minuti per far riscaldare l'olio.
 3. Spegnerla la pompa.
 4. Rimuovere il tappo di scarico e scaricare l'olio.
 5. Vedere "Aggiunta dell'olio" e aggiungere nuovo olio.
- Smaltire l'olio vecchio in conformità alle normative locali.

NOTA: si consiglia di sostituire l'olio dopo circa 20 ore di utilizzo, per proteggere i componenti della pompa dai contaminanti attirati nella pompa.

Quando si intende creare il vuoto su sistemi di refrigerazione vecchi, sostituire l'olio dopo ciascun utilizzo.

Olio per pompe per vuoto:

Le condizioni e il tipo dell'olio utilizzato in qualsiasi pompa per vuoto ad alte prestazioni sono estremamente importanti per stabilire il vuoto finale ottenibile. Si consiglia di utilizzare olio per pompe per vuoto ad alte prestazioni, che utilizza una miscela specifica per preservare la massima viscosità a temperature normali e per migliorare l'avvio in condizioni meteorologiche di bassa temperatura.

Pulizia della pompa

1. Quando l'olio è estremamente sporco, sostituirlo e far funzionare la pompa per un periodo compreso tra 3 e 5 minuti.
2. Scaricare l'olio e aggiungere nuovo olio.
Qualora l'olio scaricato sia ancora sporco, ripetere la procedura di pulizia per due o tre volte.

Correzione dei problemi

Condizione	Causa possibile	Soluzione
La pompa non si avvia.	<ol style="list-style-type: none">1. La batteria non è installata correttamente.2. La temperatura ambiente è troppo bassa.3. Collegamento scadente dei cablaggi.4. La pompa è bloccata.5. Guasto del motore.	<ol style="list-style-type: none">1. Installare correttamente la batteria.2. Far riscaldare la pompa al chiuso.3. Chiedere la riparazione.4. Chiedere la riparazione.5. Chiedere la riparazione.
La pompa non produce un vuoto sufficiente.	<ol style="list-style-type: none">1. Perdita dal sistema.2. Olio insufficiente.3. Olio sporco.4. Le parti della pompa sono usurate.5. Raccorderie, guarnizioni e guarnizione radiale danneggiate.6. Guasto del motore.	<ol style="list-style-type: none">1. Riparare il sistema.2. Rabboccare o sostituire l'olio.3. Pulire il serbatoio e sostituire l'olio.4. Chiedere la riparazione.5. Chiedere la riparazione.6. Chiedere la riparazione.
Perdita d'olio.	<ol style="list-style-type: none">1. Guarnizioni e guarnizioni radiali per albero danneggiate.2. Guarnizione circolare del tappo di scarico dell'olio danneggiata.3. Il tappo di scarico dell'olio è allentato.	<ol style="list-style-type: none">1. Chiedere la riparazione.2. Sostituire la guarnizione circolare.3. Serrare il tappo di scarico dell'olio.
Rumore anormale.	<ol style="list-style-type: none">1. Guasto del motore.2. Guasto dei cuscinetti.3. Bulloni allentati.4. Guasto della pompa.5. L'aria viene risucchiata.	<ol style="list-style-type: none">1. Chiedere la riparazione.2. Chiedere la riparazione.3. Serrare i bulloni.4. Chiedere la riparazione.5. Serrare i tappi e i raccordi. Sostituire le guarnizioni e le guarnizioni circolari. Sostituire la raccorderia o risigillarla.

Nota: qualora queste procedure non risolvano il problema, contattare il distributore autorizzato Makita più vicino o inviare la pompa al nostro centro di assistenza.

ACCESSORI OPZIONALI

⚠ATTENZIONE: questi accessori o componenti aggiuntivi sono consigliati per l'uso con l'utensile Makita utilizzato specificato nel presente manuale. L'uso di qualsiasi altro accessorio o componente aggiuntivo potrebbe comportare il rischio di lesioni personali. Utilizzare gli accessori o i componenti aggiuntivi esclusivamente per le loro finalità dichiarate.

Qualora si necessiti di assistenza per ulteriori dettagli relativi a questi accessori, rivolgersi al proprio centro di assistenza Makita locale.

- Batterie e caricabatterie originali Makita
- Olio per pompe per vuoto 150 ml
- Custodia in alluminio per pompa per vuoto
- Tubo flessibile per pompa per vuoto
- Valvola per pompa per vuoto con manometro

NOTA: alcune voci nell'elenco potrebbero essere incluse nella confezione dell'utensile come accessori in dotazione. Tali voci possono variare da una nazione all'altra.

TECHNISCHE GEGEVENS

Model:	DVP180
Accu (capaciteit)	BL 1860B (6,0 Ah) BL 1850 / BL 1850B (5,0 Ah) BL 1840 / BL 1840B (4,0 Ah) BL 1830 / BL 1830B (3,0 Ah)
Nominale spanning	18 V gelijkspanning
Pomp	Eéntrapsrotatiepomp
Verplaatsing vrije lucht	50 l/min
Ultiem vacuüm	20 Pa
Olievolume	100 – 115 ml
Inlaat	Tromp 5/16", mannelijk
Afmetingen	263 mm (l) × 93 mm (b) × 172 mm (h)
Nettogewicht (met accu BL 1850)	3,5 kg

- Als gevolg van ons doorlopende onderzoeks- en ontwikkelingsprogramma, zijn de technische gegevens onderhevig aan veranderingen zonder voorafgaande kennisgeving.
- De technische gegevens en de accu kunnen van land tot land verschillen.
- Gewicht, inclusief accu, volgens de EPTA-procedure 01/2003

Vacuümpomp voor het pompen van lucht uit gesloten systemen (airconditioners, tanks, enz.).

Dit gereedschap is speciaal ontworpen voor HVAC&R-systemen.

Doordat dit ééntrapspompen zijn is het mogelijk om het gevraagde eindvacuümniveau te behalen.

Het ontwerp met een groot kijkglas en laag oliepeil voorkomt dat de olie opraaft en zorgt voor een betrouwbare werking.

Bovendien voorkomt de terugslagklep dat olie wordt gemengd als gevolg van terugstromen na een stroomonderbreking of enige andere procesonderbreking.

Symbolen

Hieronder staan de symbolen die voor het gereedschap worden gebruikt.

Zorg ervoor dat u weet wat ze betekenen alvorens het gereedschap te gebruiken.



- Lees de gebruiksaanwijzing.



- Waarschuwing: heet oppervlak!
Raak niets aan rondom dit symbool.
Als u het oppervlak aanraakt, kunnen brandwonden en letsel ontstaan.



- Alleen voor EU-landen.
Geef elektrisch gereedschap en accu's niet met het huisvuil mee!
Volgens de Europese richtlijn inzake oude elektrische en elektronische apparaten, en inzake batterijen en accu's en oude batterijen en accu's, en de toepassing daarvan binnen de nationale wetgeving, dienen elektrisch gereedschap, accu('s) en batterijen die het einde van hun levensduur hebben bereikt, gescheiden te worden ingezameld en te worden afgevoerd naar een recyclebedrijf dat voldoet aan de geldende milieu-eisen.

EU-VERKLARING VAN CONFORMITEIT

Alleen voor Europese landen

De EU-verklaring van conformiteit is inbegrepen als Bijlage A in deze gebruiksaanwijzing.

Algemene veiligheidswaarschuwingen voor elektrisch gereedschap

WAARSCHUWING: Lees alle veiligheidswaarschuwingen en alle instructies. Het niet volgen van de waarschuwingen en instructies kan leiden tot elektrische schokken, brand en/of ernstig letsel.

Bewaar alle waarschuwingen en instructies om in de toekomst te kunnen raadplegen.

De term "elektrisch gereedschap" in de veiligheidsvoorschriften verwijst naar gereedschappen die op stroom van het elektriciteitsnet werken (met snoer) of naar gereedschappen met een accu (snoerloos).

Veiligheid op de werkplek

1. **Zorg dat uw werkomgeving schoon is en helder verlicht.** Op een rommelige of donkere werkplek gebeuren vaker ongelukken.

2. **Gebruik elektrisch gereedschap niet in een explosieve atmosfeer, zoals in de buurt van licht ontvlambare vloeistoffen, gassen of stof.** Elektrische gereedschappen produceren vonken die de dampen of het stof kunnen ontsteken.
3. **Houd kinderen en omstanders op veilige afstand wanneer u elektrisch gereedschap gebruikt.** Als u afgeleid wordt, kunt u de macht over het gereedschap verliezen.

Elektrische veiligheid

4. **Let op dat de stekker van het gereedschap goed in het stopcontact past. Probeer nooit om de netsnoerstekker op enige wijze aan te passen. Gebruik met geaard elektrisch gereedschap (met aardaansluiting) nooit een adapter of verloopstekker.** Een onaangepaste stekker die precies goed in het stopcontact past, biedt u bescherming tegen het risico van elektrische schokken.
5. **Voorkom lichamelijk contact met geaarde oppervlakken, zoals pijpen, radiatoren, fornuizen en koelkasten.** De kans op een elektrische schok is groter wanneer uw lichaam is geaard.
6. **Stel elektrisch gereedschap niet bloot aan regen of natte omstandigheden.** Als water binnendringt in het elektrisch gereedschap, wordt de kans op een elektrische schok groter.
7. **Behandel het snoer voorzichtig. Til het gereedschap niet aan het snoer op en trek er niet aan maar pak de stekker vast om die uit het stopcontact te verwijderen. Houd het netsnoer uit de buurt van hitte, olie, scherpe randen en bewegende delen.** Beschadigde en in de war geraakte snoeren vergroten de kans op een elektrische schok.
8. **Bij gebruik van elektrisch gereedschap buitenshuis, gebruikt u een verlengsnoer dat geschikt is voor gebruik buitenshuis.** Een verlengsnoer dat geschikt is voor gebruik buitenshuis verkleint de kans op elektrische schokken.
9. **Als gebruik van het elektrisch gereedschap in een vochtige omgeving onvermijdelijk is, gebruikt u dan een stroombron die is voorzien van een aardlekstroomonderbreker (GFCI).** Gebruik van een aardlekstroomonderbreker verkleint de kans op een elektrische schok.

Persoonlijke veiligheid

10. **Let altijd goed op, kijk naar wat u aan het doen bent, en gebruik uw gezond verstand tijdens het werken met een elektrisch gereedschap. Ga niet met elektrisch gereedschap werken wanneer u moe bent of als u drugs, alcohol of medicijnen hebt ingenomen.** Een ogenblik van onoplettendheid kan tijdens het gebruik van een elektrisch gereedschap leiden tot ernstig lichamelijk letsel.
11. **Gebruik persoonlijke-beschermingsmiddelen. Draag altijd oogbescherming.** Beschermingsmiddelen, zoals stofmaskers, slipvaste veiligheidsschoenen, veiligheidshelm en gehoorbescherming, gebruikt in toepasselijke situaties, dragen bij tot vermindering van lichamelijk letsel.

12. **Voorkom onbedoeld starten. Controleer dat de schakelaar in de uit-stand staat alvorens het gereedschap aan te sluiten op de voeding en/of accu, op te pakken of te dragen.** Door elektrisch gereedschap te dragen met uw vinger op de schakelaar, of door het gereedschap op een voeding aan te sluiten terwijl de schakelaar aan staat, neemt de kans op ongelukken sterk toe.
13. **Verwijder alle verstelsleutels en -tangen voordat u het elektrisch gereedschap inschakelt.** Een sleutel of tang die nog aan een draaiend deel van het elektrisch gereedschap vastzit, kan lichamelijk letsel veroorzaken.
14. **Reik niet te ver. Zorg altijd voor een stevige stand en goede lichaamsbalans.** Hierdoor heeft u een betere controle over het elektrisch gereedschap in onverwachte situaties.
15. **Draag geschikte kleding. Draag geen losse kleding of sieraden. Houd uw haar, kleding en handschoenen uit de buurt van bewegende delen.** Loshangende kleding, sieraden en lang haar kunnen verstrikt raken in bewegende delen.
16. **Als het elektrisch gereedschap is uitgerust met een aansluiting voor stofafzuig- en stofopvangvoorzieningen, zorgt u ervoor dat deze zijn aangesloten en correct worden gebruikt.** Het gebruik van een stofvanger kan gevaar door stof verminderen.

Gebruik en verzorging van elektrisch gereedschap

17. **Overbelast het elektrisch gereedschap niet. Gebruik het juiste elektrisch gereedschap voor het werk.** Het juiste elektrisch gereedschap werkt beter en veiliger binnen het aangegeven capaciteitsbereik.
18. **Gebruik het elektrisch gereedschap niet als het niet kan worden in- en uitgeschakeld met de schakelaar.** Ieder elektrisch gereedschap dat niet met de schakelaar kan worden bediend is gevaarlijk en moet eerst worden gerepareerd.
19. **Trek de stekker uit het stopcontact en/of haal de accu uit het elektrisch gereedschap voordat u afstellingen maakt, accessoires verwisselt, of het elektrisch gereedschap opbergt.** Dergelijke preventieve veiligheidsmaatregelen verkleinen de kans dat het elektrisch gereedschap per ongeluk wordt ingeschakeld.
20. **Bewaar elektrische gereedschappen die niet worden gebruikt buiten het bereik van kinderen en voorkom dat personen die onbekend zijn met het gebruik ervan of met deze instructies het elektrisch gereedschap gebruiken.** Elektrische gereedschappen zijn gevaarlijk in de handen van onervaren gebruikers.
21. **Onderhoud het elektrisch gereedschap goed. Controleer op een slechte uitlijning of het aanlopen van draaiende delen, het afbreken van onderdelen en alle andere situaties die van invloed kunnen zijn op de werking van het elektrisch gereedschap. Als het elektrisch gereedschap beschadigd is, laat u het eerst repareren voordat u het gebruikt.** Veel ongelukken worden veroorzaakt doordat het elektrisch gereedschap slecht wordt onderhouden.

22. **Houd het snijgarnituur scherp en schoon.** Goed onderhouden snijgarnituren met scherpe snijranden lopen minder vaak vast en zijn gemakkelijker te gebruiken.
23. **Gebruik het elektrisch gereedschap met de bijbehorende accessoires, bits, enz., overeenkomstig deze instructies, met inachtneming van de werkomstandigheden en het werk dat wordt uitgevoerd.** Het gebruik van het elektrisch gereedschap bij andere werkzaamheden dan waarvoor het is bedoeld, kan leiden tot gevaarlijke situaties.
3. **Controleer het oliepeil en de staat van de olie (verslechtering, enz.) voor veilig en efficiënt werken.**
4. **Draag een veiligheidsbril en veiligheidshandschoenen wanneer u met koelmiddel werkt om aanraking van het koelmiddel te voorkomen.** Hierdoor kan blindheid en letsel ontstaan bij de gebruiker.
5. **In uitermate hete en koude omgevingen kan het onmogelijk zijn om toereikende prestaties te verkrijgen.**

Gebruik en verzorging van gereedschap dat op een accu werkt

24. **Laad uitsluitend op met een acculader aanbevolen door de fabrikant.** Een acculader die geschikt is voor een bepaald type accu, kan brandgevaar opleveren indien gebruikt met een ander type accu.
25. **Gebruik elektrisch gereedschap uitsluitend met de specifieke daarvoor bedoelde accu.** Gebruik van andere accu's kan gevaar voor letsel of brandgevaar opleveren.
26. **Als de accu niet wordt gebruikt, houdt u deze uit de buurt van metalen voorwerpen zoals paperclips, muntgeld, sleutels, spijkers, schroeven en andere kleine metalen voorwerpen die een kortsluiting kunnen veroorzaken tussen de accupolen.** Kortsluiting tussen de accupolen kan leiden tot brandwonden of brand.
27. **Onder zware gebruiksomstandigheden kan vloeistof uit de accu komen. Voorkom aanraking. Als aanraking per ongeluk plaatsvindt, spoelt u met water. Als de vloeistof in uw ogen komt, raadpleegt u tevens een arts.** Vloeistof uit de accu kan irritatie en brandwonden veroorzaken.

Reparatie

28. **Laat uw elektrisch gereedschap repareren door een vakbekwame reparateur die gebruik maakt van uitsluitend identieke vervangingsonderdelen.** Zo bent u ervan verzekerd dat de veiligheid van het elektrisch gereedschap behouden blijft.
29. **Volg de instructies voor het smeren en verwisselen van accessoires.**
30. **Houd de handgrepen droog, schoon en vrij van olie en vet.**

Veiligheidswaarschuwingen voor een accuvacuümpomp

Lees de instructies in de documentatie zorgvuldig door. Het nauwgezet volgen van de procedures is de belangrijkste voorwaarde voor de veiligheid van de gebruiker.

1. **De vacuümpomp is een apparaat dat wordt gebruikt om de lucht te verwijderen uit koel- en airconditioningapparatuur en terugwinningsvaten.** Gebruik hem niet voor andere toepassingen. Als u dat toch doet, kunnen zich ongelukken voordoen.
2. **Inspecteer de vacuümpomp altijd op oliekkages voordat u hem gebruikt.** Als u dit niet doet, kan dat leiden tot brand.

⚠WAARSCHUWING: Laat u NIET misleiden door een vals gevoel van comfort en bekendheid met het gereedschap (na veelvuldig gebruik) en neem alle veiligheidsvoorschriften van het betreffende gereedschap altijd strikt in acht.

VERKEERD GEBRUIK of het niet naleven van de veiligheidsvoorschriften in deze gebruiksaanwijzing kan leiden tot ernstig lichamelijk letsel.

Belangrijke veiligheidsinstructies voor een accu

1. Lees alle voorschriften en waarschuwingen op (1) de acculader, (2) de accu, en (3) het gereedschap waarin de accu wordt gebruikt, alvorens de accu in gebruik te nemen.
2. Haal de accu niet uit elkaar.
3. Als de gebruiksduur van een opgeladen accu aanzienlijk korter is geworden, moet u het gebruik ervan onmiddellijk stopzetten. Er bestaat kans op oververhitting, mogelijk brandwonden en zelfs een explosie.
4. Als elektrolyt in uw ogen komt, spoelt u ze onmiddellijk uit met schoon water en raadpleegt u onmiddellijk een arts. Elektrolyt in de ogen kan leiden tot verlies van gezichtsvermogen.
5. **Voorkom kortsluiting van de accu:**
 - (1) Raak de accupolen niet aan met enig geleidend materiaal.
 - (2) Bewaar de accu niet in een bak waarin andere metalen voorwerpen zoals spijkers, munten e.d. worden bewaard.
 - (3) Stel de accu niet bloot aan water of regen. Kortsluiting van de accu kan leiden tot een hoge stroomsterkte, oververhitting, mogelijke brandwonden en zelfs een defect.
6. **Bewaar het gereedschap en de accu niet op plaatsen waar de temperatuur kan oplopen tot 50 °C of hoger.**
7. **Werp de accu niet in het vuur, ook niet wanneer hij zwaar beschadigd of volledig versleten is.** De accu kan in een vuur exploderen.
8. **Wees voorzichtig dat u de accu niet laat vallen en hem niet blootstelt aan schokken of stoten.**
9. **Gebruik een beschadigde accu niet meer.**
10. **Houd u zich bij het weggooiën van de accu aan de plaatselijke regelgeving.**

BEWAAR DEZE VOORSCHRIFTEN.

⚠ LET OP: Gebruik uitsluitend Makita-accu's. Het gebruik van niet-originele Makita-accu's, of accu's die zijn gewijzigd, kan leiden tot het openbarsten van de accu waardoor brand, lichamelijk letsel en schade kan ontstaan. Hierdoor vervalt tevens de Makita-garantie op het Makita-gereedschap en de Makita-acculader.

Tips voor een maximale levensduur van de accu

1. Laad de accu op voordat hij volledig ontladen is. Wanneer u merkt dat het gereedschap minder vermogen heeft, stopt u met het gebruik ervan en laadt u eerst de accu op.
2. Laad een volledig opgeladen accu nooit opnieuw op. Te lang opladen verkort de levensduur van de accu.
3. Laad de accu op bij een omgevingstemperatuur van 10 °C t/m 40 °C. Laat een warme accu afkoelen alvorens hem op te laden.
4. Laad de accu op wanneer u de accu gedurende een lange tijd (langer dan zes maanden) niet denkt te gaan gebruiken.

BESCHRIJVING VAN DE ONDERDELEN

► Fig. 1:

- | | |
|----------------------------|----------------|
| 1. Kijkglas | 7. Aan-uitknop |
| 2. Olievl-/ontluchtingsdop | 8. LED-lamp |
| 3. Inlaatafsluitklep | 9. Motor |
| 4. Handgreep | 10. Voet |
| 5. Accuhouder | 11. Olietank |
| 6. Accu | 12. Aftaplugg |

BESCHRIJVING VAN DE FUNCTIES

⚠ LET OP: Zorg er altijd voor dat de pomp is uitgeschakeld en dat de accu is verwijderd voordat u de werking van de pomp afstelt of controleert.

De accu aanbrengen en verwijderen

⚠ LET OP: Schakel de pomp altijd uit voordat u de accu aanbrengt of verwijdt.

⚠ LET OP: Houd de pomp en de accu stevig vast tijdens het aanbrengen of verwijderen van de accu. Als u de pomp en de accu niet stevig vasthoudt, kunnen deze uit uw handen glijpen en beschadigd raken, of kan lichamelijk letsel worden veroorzaakt.

► Fig. 2:

1. Rode deel
2. Knop
3. Accu

Om de accu te verwijderen verschuift u de knop aan de voorkant van de accu en schuift u tegelijkertijd de accu van de pomp af.

Om de accu aan te brengen, lijnt u de lip op de accu uit met de groef in de behuizing en duwt u de accu op zijn plaats. Steek de accu zo ver mogelijk erin tot een klikgeluid hoort. Als u het rode deel aan de bovenkant van de knop kunt zien, is de accu niet volledig vergrendeld.

⚠ LET OP: Breng de accu altijd helemaal aan totdat het rode deel niet meer zichtbaar is. Als u dit niet doet, kan de accu per ongeluk van de pomp af vallen en letsel veroorzaken bij u of anderen in uw omgeving.

⚠ LET OP: Breng de accu niet met kracht aan. Als de accu niet gemakkelijk erin kan worden geschoven, wordt deze niet goed aangebracht.

Accubeveiligingssysteem

► Fig. 3:

1. Ster-merkteken

De pomp is voorzien van een accubeveiligingssysteem. Dit systeem schakelt automatisch de voeding naar de motor uit om de levensduur van de accu te verlengen.

De pomp kan tijdens gebruik automatisch stoppen wanneer de pomp en/of de accu aan één van de volgende omstandigheden wordt blootgesteld:

Overbelasting:

De pomp wordt gebruikt op een manier waardoor een abnormaal hoge stroom wordt getrokken.

Schakel in die situatie de pomp uit en stop het gebruik dat ertoe leidde dat de pomp overbelast raakte. Schakel daarna de pomp in om hem weer te starten.

Als de pomp niet start, is de accu oververhit.

In dat geval laat u de accu even afkoelen, voordat u de pomp opnieuw inschakelt.

Lage accuspanning:

Als de resterende accuspanning onvoldoende is, zal de pomp niet starten. In dat geval verwijdt u de accu en laadt u die opnieuw op.

OPMERKING: De oververhittingsbeveiliging voor de accu werkt alleen voor accu's met een ster-merkteken.

De resterende acculading controleren

Alleen voor accu's met een "B" aan het einde van het modelnummer

► Fig. 4:

1. Indicatorlampjes
2. Testknop

Druk op de testknop op de accu om de resterende acculading te zien. De indicatorlampjes branden gedurende enkele seconden.

Indicatorlampjes			Resterende acculading
Brandt	Uit	Knippert	
■	□	▣	75% tot 100%
■	■	■	50% tot 75%
■	■	□	25% tot 50%
■	□	□	0% tot 25%
▣	□	□	Laad de accu op.
■	■	□	Er kan een storing in de accu zijn opgetreden.
□	□	■	

OPMERKING: Afhankelijk van de gebruiksomstandigheden en de omgevingstemperatuur, is het mogelijk dat de aangegeven acculading verschilt van de werkelijke acculading.

BEDIENING

In de pomp zit nog geen olie wanneer deze nieuw is aangeschaft.

Raadpleeg "Olie bijvullen" en vul olie bij.

⚠WAARSCHUWING: Als de pomp wordt gebruikt zonder dat hij met olie is gevuld, zal de pomp worden beschadigd. Bovendien zal de olietank heet worden waardoor brandwonden of andere ongelukken kunnen worden veroorzaakt.

Olie bijvullen

► Fig. 5:

- Olievul-/ontluchtingsdop
- Lijnen voor oliepeil
- Kijkglas
- Olietank

1. Verwijder de olievul-/ontluchtingsdop en vul de bijgeleverde olie bij via de vulopening.

KENNISGEVING: Gebruik altijd originele olie van Makita om de prestaties van de pomp te behouden.

2. Vul olie bij totdat het oliepeil tussen de onderste en bovenste lijnen op het kijkglas staat.

KENNISGEVING: Het oliepeil is belangrijk. Als de pomp wordt gebruikt terwijl het oliepeil niet tussen de bovenste en onderste lijnen op het kijkglas staat, kan een storing optreden.

De prestaties controleren

► Fig. 6:

- Inlaat
 - Klep van lage kant
 - Vacuümpomp
 - Verdeelstuk
- Sluit de klep van de lage kant van het verdeelstuk met behulp van een laadslang aan op de inlaatpoort van de pomp.
 - Sluit de klep van de lage kant van het verdeelstuk.
 - Open de inlaatafsluitklep.
 - Open de inlaatklep.
 - Schakel de pomp in. Als de druk aangegeven op het verdeelstuk binnen 30 seconden een vacuüm aangeeft van -0,09 tot -0,1 MPa, werkt de pomp goed.
 - Schakel de pomp uit.

Bediening

► Fig. 7:

- Vacuümpomp
- Inlaatafsluitklep
- Laadslang (geel)
- Verdeelstuk (lagedrukkant)
- Klep van lage kant
- Lagedrukmeter
- Klep van hoge kant
- Laadslang (bouw)
- Servicepoort
- Buiteneenheid

1. Sluit de pomp, het verdeelstuk en de buiteneenheid op elkaar aan met slangen.

OPMERKING: Als de maat van de servicepoort op de buiteneenheid 1/4" is, gebruikt u het verloopstuk met verschillende diameters.

- Controleer of de kleppen van de hoge kant en lage kant van het verdeelstuk dicht staan.
- Breng de accu aan op de pomp. (Zie "De accu aanbrengen en verwijderen" voor instructies voor het aanbrengen.)
- Schakel de pomp in. De LED-lamp (groen) brandt.
- Open de inlaatafsluitklep van de pomp en de klep van de lage kant van het verdeelstuk.

⚠WAARSCHUWING: De pomp is tijdens gebruik en onmiddellijk na uitschakeling erg warm. Raak de pomp niet aan terwijl deze heet is. Als u dat toch doet, kan dat leiden tot brandwonden of andere ongelukken.

OPMERKING: De motor werkt mogelijk niet wanneer deze koud is (5 °C of lager). Verplaats in dat geval de pomp naar binnen en laat hem opwarmen.

- Wanneer het opgegeven vacuüm (raadpleeg de gebruiksaanwijzing geleverd door de fabrikant van de airconditioner) is bereikt, sluit u de klep van de lage kant van het verdeelstuk.
- Sluit de inlaatafsluitklep en schakel de pomp uit.

Luchtdichtheidstest

Er zijn geen lekken als de druk aangegeven op het verdeelstuk niet oploopt nadat de pomp en drukregelaar gedurende 5 minuten of langer niet zijn aangeraakt.

OPMERKING: Als de resterende acculading laag wordt, gaat de LED-lamp uit en klinkt tegelijkertijd een lange alarmpieptoon. Ongeveer twee minuten later stopt de motor. Daarna verandert de alarmpieptoon naar een zich snel herhalende pieptoon waarmee het stoppen van de motor wordt aangegeven, en vervolgens stopt de pieptoon na 30 seconden. Wacht echter niet totdat de motor stopt (of tot de alarmpieptoon verandert naar een snelle pieptoon), maar sluit in plaats daarvan de inlaatklep van de pomp en de klep van de lagedrukkant van het verdeelstuk.

Controleer of de pomp is uitgeschakeld, verwijder de accu en laad deze op of vervang hem door een reserveaccu.

- Raadpleeg de volgende tabel voor de gebruiksduur van de accu.

Gebruiksduur (richtlijn)

Accu	Gebruiksduur
BL1860B	75 min
BL1850 / BL1850B	50 min
BL1840 / BL1840B	40 min
BL1830 / BL1830B	30 min

- Nadat de werkzaamheden klaar zijn, verwijdert u de accu en brengt u de bijgeleverde afdekkap aan.

KENNISGEVING: Leg de pomp nooit op zijn zijkant of ondersteboven tijdens vervoer, gebruik of opslag. Hierdoor kan olie lekken uit de olievluit/ontluchtingsdop.

Vervoer en opslag

- Alle vloeistoffen moeten altijd uit de vacuümpomp worden afgetapt voordat deze wordt verzonden om schade aan de verpakking ervan te voorkomen.
- Plaats altijd de dop op de inlaatpoort om te voorkomen dat vuil kan binnendringen in de pomp.
- Zorg ervoor dat de pomp horizontaal blijft.
- De pomp moet worden bewaard bij een omgevingstemperatuur tussen 5 °C en 40 °C.

ONDERHOUD

⚠ LET OP: Zorg er altijd voor dat de pomp is uitgeschakeld en de accu is verwijderd voordat u een inspectie of onderhoud uitvoert.

KENNISGEVING: Gebruik nooit benzine, wasbenzine, thinner, alcohol, enz. Dit kan leiden tot verkleuren, vervormen of barsten.

Om de VEILIGHEID en BETROUWBAARHEID van het gereedschap te handhaven, dienen alle reparaties, onderhoud en afstellingen te worden uitgevoerd door een erkend Makita-servicecentrum of het fabrieksservicecentrum, en altijd met gebruikmaking van originele Makita-vervangingsonderdelen.

De pomp uitschakelen:

Om de levensduur van de pomp te verlengen en het starten te vergemakkelijken, moet deze procedure voor het uitschakelen van de pomp worden gevolgd.

1. Sluit de klep van het verdeelstuk tussen de pomp en het systeem.
2. Verwijder de slang vanaf de pompinlaat.

Plaats de dop op de inlaatpoort om te voorkomen dat verontreinigingen of vreemde deeltjes kunnen binnendringen in de poort.

Het oliepeil controleren

► Fig. 8:

1. Lijnen voor oliepeil
 2. Kijkglas
- Controleer altijd het oliepeil en de staat van de olie (verslechtering, enz.) voordat u de pomp gebruikt.

OPMERKING: Vul olie bij totdat het oliepeil tussen de onderste en bovenste lijnen op het kijkglas staat.

De olie verversen

► Fig. 9:

1. Inlaatafsluitklep
 2. Aftapplug
1. Open de inlaatafsluitklep.
 2. Laat de pomp gedurende 1 of 2 minuten draaien om de olie op te warmen.
 3. Schakel de pomp uit.
 4. Verwijder de aftapplug en tap de olie af.
 5. Raadpleeg "Olie bijvullen" en vul met nieuwe olie.
- Verwerk de oude olie overeenkomstig de plaatselijke regelgeving.

OPMERKING: Wij adviseren de olie te verversen na 20 bedrijfsuren om de pomponderdelen te beschermen tegen verontreinigingen die in de pomp zijn gekomen.

Bij het ontlichten van oude koelinstallaties, ververst u de olie na elk gebruik.

Olie voor vacuümpomp:

Het type en de staat van de olie die wordt gebruikt in een geavanceerde vacuümpomp zijn van groot belang voor het bepalen van het uiteindelijk haalbare vacuüm. Wij adviseren u olie voor hoogpresterende vacuümpompen te gebruiken die speciaal samengesteld is om een maximale viscositeit te behouden bij normale temperaturen en voor beter opstarten bij koud weer.

De pomp reinigen

1. Als de olie bijzonder vuil is, ververst u de olie en laat u de pomp gedurende 3 tot 5 minuten draaien.
2. Tap de olie af en vul met nieuwe olie.
Als de afgetapte olie nog steeds vuil is, herhaalt u deze reinigingsprocedure twee of drie keer.

Problemen verhelpen

Situatie	Mogelijke oorzaak	Oplossing
De pomp start niet.	<ol style="list-style-type: none"> 1. De accu is niet goed aangebracht. 2. De omgevingstemperatuur is te laag. 3. Slechte verbinding in de bedrading. 4. De pomp is geblokkeerd. 5. Motorstoring. 	<ol style="list-style-type: none"> 1. Breng de accu goed aan. 2. Warm de pomp binnenshuis op. 3. Repareer. 4. Repareer. 5. Repareer.
De pomp trekt onvoldoende vacuüm.	<ol style="list-style-type: none"> 1. Lekkage in het systeem. 2. Onvoldoende olie. 3. Vuile olie. 4. Versleten pomponderdelen. 5. Beschadigde koppelingen, pakkingen en afdichting. 6. Motorstoring. 	<ol style="list-style-type: none"> 1. Repareer het systeem. 2. Vul olie bij of ververs de olie. 3. Reinig het reservoir en ververs de olie. 4. Repareer. 5. Repareer. 6. Repareer.
Olielekkage.	<ol style="list-style-type: none"> 1. Beschadigde pakkingen en asafdichtingen. 2. Beschadigde O-ring van olieaftapplug. 3. Olieaftapplug zit los. 	<ol style="list-style-type: none"> 1. Repareer. 2. Vervang de O-ring. 3. Draai de olieaftapplug vast.
Abnormaal geluid.	<ol style="list-style-type: none"> 1. Motorstoring. 2. Defect lager. 3. Loszittende bouten. 4. Defecte pomp. 5. Lucht wordt aangezogen. 	<ol style="list-style-type: none"> 1. Repareer. 2. Repareer. 3. Draai de bouten vast. 4. Repareer. 5. Draai doppen en aansluitingen vast. Vervang pakkingen en O-ringen. Vervang koppelingen of dicht ze opnieuw af.

Opmerking: Als deze procedures het probleem niet oplossen, neemt u contact op met uw dichtstbijzijnde, erkende Makita-dealer of stuurt u uw pomp naar ons servicecentrum.

OPTIONELE ACCESSOIRES

⚠ LET OP: Deze accessoires of hulpstukken worden aanbevolen voor gebruik met het Makita-gereedschap dat in deze gebruiksaanwijzing wordt beschreven. Bij gebruik van enige andere accessoires of hulpstukken bestaat het gevaar van lichamelijk letsel. Gebruik de accessoires of hulpstukken uitsluitend voor de aangegeven gebruikdoeleinden.

Mocht u meer informatie willen hebben over deze accessoires, dan kunt u contact opnemen met uw plaatselijke Makita-servicecentrum.

- Originele Makita-accu's en -acculaders
- 150 ml olie voor vacuümpomp
- Aluminium koffer voor vacuümpomp
- Slang voor vacuümpomp
- Vacuümpompklep met meter

OPMERKING: Sommige items op de lijst kunnen zijn inbegrepen in de doos van het gereedschap als standaard toebehoren. Deze kunnen van land tot land verschillen.

ESPECIFICACIONES

Modelo:	DVP180
Cartucho de batería (capacidad)	BL 1860B (6,0 Ah) BL 1850 / BL 1850B (5,0 Ah) BL 1840 / BL 1840B (4,0 Ah) BL 1830 / BL 1830B (3,0 Ah)
Tensión nominal	CC 18 V
Bomba	Bomba rotativa monoetápica
Desplazamiento de aire libre	50 L/min
Vacío máximo	20 Pa
Capacidad de aceite	100 – 115 ml
Admisión	Abocinado macho de 5/16"
Dimensiones	263 mm (La) × 93 mm (An) × 172 mm (Al)
Peso neto (con la batería BL1850)	3,5 kg

- Debido a nuestro programa continuo de investigación y desarrollo, las especificaciones aquí dadas están sujetas a cambios sin previo aviso.
- Las especificaciones y el cartucho de batería pueden variar de un país a otro.
- Peso, con el cartucho de batería, de acuerdo con el procedimiento EPTA 01/2003

Bomba de vacío para evacuación de aire de sistemas cerrados (acondicionadores de aire, depósitos, etc.). Este equipo está diseñado especialmente para sistemas de climatización (HVAC&R por sus siglas en inglés). El diseño monoetápico de estas bombas hace que sea factible lograr el nivel de vacío final demandado. El diseño de un vidrio de nivel grande y un bajo nivel de aceite evita un funcionamiento sin aceite y garantiza una utilización fiable.

Además, la válvula de control evita cualquier mezcla de aceite debido al reflujo tras una interrupción de la alimentación o cualquier otra interrupción del proceso.

Símbolos

A continuación se muestran los símbolos utilizados para el equipo.

Asegúrese de entender sus significados antes de la utilización.



- Lea el manual de instrucciones.



- Advertencia: ¡superficie caliente!
No toque alrededor de este símbolo.
Tocar la superficie podrá ocasionar quemaduras o heridas.



- Solo para países de la Unión Europea
¡No deseche los aparatos eléctricos o baterías junto con los residuos domésticos!
De conformidad con las Directivas Europeas, sobre residuos de equipos eléctricos y electrónicos y baterías y acumuladores y residuos de baterías y acumuladores y su aplicación de acuerdo con la legislación nacional, los aparatos eléctricos y pilas y baterías cuya vida útil haya llegado a su fin deberán ser recogidos por separado y trasladados a una planta de reciclaje que cumpla con las exigencias ecológicas.

DECLARACIÓN CE DE CONFORMIDAD

Para países europeos solamente
La declaración CE de conformidad está incluida como Anexo A de este manual de instrucciones.

Advertencias de seguridad generales para herramientas eléctricas

⚠ ADVERTENCIA: Lea todas las advertencias de seguridad y todas las instrucciones. No seguir las advertencias e instrucciones puede resultar en una descarga eléctrica, un incendio y/o heridas graves.

Guarde todas las advertencias e instrucciones para futuras consultas.

El término "herramienta eléctrica" en las advertencias se refiere a su herramienta eléctrica alimentada con corriente de la red eléctrica (con cable) o herramienta eléctrica a batería (inalámbrica).

Seguridad en el área de trabajo

1. **Mantenga el área de trabajo limpia y bien iluminada.** Las áreas desordenadas y oscuras son una invitación a accidentes.

2. **No utilice las herramientas eléctricas en atmósferas explosivas, como en la presencia de líquidos, gases o polvo inflamables.** Las herramientas eléctricas crean chispas que pueden prender fuego al polvo o los humos.
3. **Mantenga a los niños y transeúntes alejados mientras utiliza una herramienta eléctrica.** Las distracciones pueden ocasionarle la pérdida del control.
12. **Evite las puestas en marcha no intencionadas. Asegúrese de que el interruptor está en la posición desactivada antes de conectar la fuente de alimentación y/o la batería, y recoger o transportar la herramienta.** El transportar herramientas eléctricas con el dedo en el interruptor o energizar herramientas eléctricas que tienen el interruptor activado es una invitación a accidentes.

Seguridad eléctrica

4. **Las clavijas de las herramientas eléctricas tienen que coincidir con la toma de corriente. No modifique nunca la clavija de ninguna forma. No utilice ningún adaptador de clavija con herramientas puestas a tierra (conectadas a tierra).** Las clavijas no modificadas y que coincidan con la toma de corriente reducirán el riesgo de descarga eléctrica.
5. **Evite cualquier contacto con superficies conectadas a tierra o puestas a tierra tales como tuberías, radiadores, cocinas y refrigeradores.** Hay un mayor riesgo de descarga eléctrica si su cuerpo es conectado a tierra o puesto a tierra.
6. **No exponga las herramientas eléctricas a la lluvia o condiciones húmedas.** La entrada de agua en la herramienta eléctrica aumentará el riesgo de una descarga eléctrica.
7. **No haga mal uso del cable de alimentación. No utilice nunca el cable de alimentación para transportar, arrastrar o desenchufar la herramienta eléctrica. Mantenga el cable de alimentación alejado de calor, aceite, bordes cortantes o partes móviles.** Los cables de alimentación dañados o enredados aumentan el riesgo de una descarga eléctrica.
8. **Cuando opere una herramienta eléctrica en exteriores, utilice un cable de extensión apropiado para uso en exteriores.** La utilización de un cable de alimentación apropiado para uso en exteriores reduce el riesgo de una descarga eléctrica.
9. **Si resulta inevitable operar una herramienta eléctrica en un lugar mojado, utilice un suministro eléctrico protegido con un interruptor diferencial (ID).** La utilización de un ID reduce el riesgo de una descarga eléctrica.
13. **Retire cualquier llave de ajuste o llave de tuercas antes de encender la herramienta eléctrica.** Una llave de tuercas o llave de ajuste colocada en una parte giratoria de la herramienta eléctrica puede resultar en heridas personales.
14. **No trabaje donde no alcance. Mantenga los pies sobre suelo firme y el equilibrio en todo momento.** Esto permite un mejor control de la herramienta eléctrica en situaciones inesperadas.
15. **Vístase apropiadamente. No se ponga ropa holgada o joyas. Mantenga el cabello, ropa y guantes alejados de las partes móviles.** Las ropas holgadas, las joyas o el cabello largo se pueden enganchar en las partes móviles.
16. **Si se proveen dispositivos para la conexión de medios de extracción y recogida de polvo, asegúrese de que estos están conectados y son utilizados debidamente.** La utilización de recogida de polvo puede reducir los peligros relacionados con el polvo.

Utilización y cuidado de la herramienta eléctrica

17. **No fuerce la herramienta eléctrica. Utilice la herramienta eléctrica correcta para su aplicación.** La herramienta eléctrica correcta realizará mejor y de forma más segura el trabajo al régimen para el que ha sido diseñada.
18. **No utilice la herramienta eléctrica si el interruptor no la enciende y apaga.** Cualquier herramienta eléctrica que no se pueda controlar con el interruptor será peligrosa y deberá ser reparada.
19. **Desconecte la clavija de la fuente de alimentación y/o la batería de la herramienta eléctrica antes de hacer cualquier ajuste, cambio de accesorios, o almacenar las herramientas eléctricas.** Tales medidas de seguridad preventivas reducen el riesgo de que la herramienta eléctrica pueda ser puesta en marcha por accidente.
20. **Almacene las herramientas eléctricas que no esté utilizando alejadas de niños y no permita que operen la herramienta eléctrica personas no familiarizadas con la herramienta eléctrica o con estas instrucciones.** Las herramientas eléctricas son peligrosas en manos de usuarios no adiestrados.
21. **Haga el mantenimiento a las herramientas eléctricas. Compruebe si hay desalineación o bloqueo de las partes móviles, rotura de partes y cualquier otra condición que pueda afectar a la operación de la herramienta eléctrica. Si está dañada, haga que la herramienta eléctrica sea reparada antes de utilizarla.** Muchos accidentes son causados por un mal mantenimiento de las herramientas eléctricas.
10. **Esté alerta, observe lo que está haciendo y utilice el sentido común cuando opere una herramienta eléctrica. No utilice una herramienta eléctrica estando cansado o bajo la influencia de drogas, alcohol o medicación.** Un momento de inatención mientras está operando herramientas eléctricas puede resultar en heridas personales graves.
11. **Utilice equipo de protección personal. Póngase siempre protección para los ojos.** El equipo de protección tal como máscara contra el polvo, zapatos de seguridad antideshlizantes, casco, o protección para los oídos utilizado para condiciones apropiadas reducirá las heridas personales.

22. **Mantenga las herramientas de corte afiladas y limpias.** Las herramientas de corte debidamente mantenidas con los bordes de corte afilados son menos propensas a bloquearse y más fáciles de controlar.
23. **Utilice la herramienta eléctrica, los accesorios y los implementos, etc., de acuerdo con estas instrucciones, teniendo en cuenta las condiciones de trabajo y la tarea que se va a realizar.** La utilización de la herramienta eléctrica para operaciones diferentes de las previstas podrá resultar en una situación peligrosa.

Utilización y cuidado de la herramienta a batería

24. **Recargue solamente con el cargador especificado por el fabricante.** Un cargador que es apropiado para un tipo de batería puede crear un riesgo de incendio cuando se utiliza con otra batería.
25. **Utilice las herramientas eléctricas solamente con las baterías designadas específicamente para ellas.** La utilización de cualquier otra batería puede crear un riesgo de heridas o incendio.
26. **Cuando la batería no esté siendo utilizada, guárdela alejada de otros objetos metálicos, como sujetapapeles, monedas, llaves, clavos, tornillos u otros objetos metálicos pequeños, que puedan hacer conexión entre un terminal y otro.** Si se cortocircuitan entre sí los terminales de la batería se podrán producir quemaduras o un incendio.
27. **En condiciones abusivas, es posible que salga expulsado líquido de la batería; evite el contacto con él. Si se produce un contacto accidental, enjuague con agua. Si el líquido entra en los ojos, además de enjuagarlos, solicite asistencia médica.** El líquido expulsado de la batería puede ocasionar irritación y quemaduras.

Servicio

28. **Haga que su herramienta eléctrica sea servida por un reparador técnico cualificado utilizando solamente piezas de repuesto idénticas.** Esto garantizará que se mantendrá la seguridad de la herramienta eléctrica.
29. **Siga la instrucción para lubricar y cambiar los accesorios.**
30. **Mantenga los mangos secos, limpios y libres de aceite y grasa.**

Advertencias de seguridad para la bomba de vacío inalámbrica

Lea atentamente las instrucciones en el texto; la observación estricta de los procedimientos es la condición principal para la seguridad del operario.

1. **La bomba de vacío es una máquina utilizada para evacuar equipos de refrigeración y aire acondicionado y de naves de salvamento. No la utilice para otras aplicaciones.** Si lo hace podrá resultar en accidentes.
2. **Inspeccione siempre la bomba de vacío por si tiene fugas antes de utilizarla.** Si no lo hace podrá resultar en un incendio.
3. **Compruebe el nivel de aceite y la condición (deterioro, etc.) para permitir un trabajo seguro y eficiente.**

4. **Póngase gafas de seguridad y guantes cuando maneje refrigerante; evite el contacto con refrigerante, podrá resultar en ceguera o heridas al operario.**
5. **En ambientes extremadamente cálidos o fríos puede que no se obtenga un rendimiento adecuado.**

GUARDE ESTAS INSTRUCCIONES.

⚠ADVERTENCIA: NO deje que la comodidad o familiaridad con el producto (a base de utilizarlo repetidamente) sustituya la estricta observancia de las normas de seguridad para el producto en cuestión.

El MAL USO o el no seguir las normas de seguridad establecidas en este manual de instrucciones puede ocasionar heridas personales graves.

Instrucciones de seguridad importantes para el cartucho de batería

1. **Antes de utilizar el cartucho de batería, lea todas las instrucciones y marcas de precaución sobre (1) el cargador de batería, (2) la batería, y (3) el producto con el que se utiliza la batería.**
2. **No desarme el cartucho de batería.**
3. **Si el tiempo de operación se vuelve excesivamente más corto, detenga la operación inmediatamente. Podrá resultar en un riesgo de recalentamiento, posibles quemaduras e incluso una explosión.**
4. **Si entra electrolito en sus ojos, aclárelos con agua limpia y solicite atención médica inmediatamente. Podrá resultar en la pérdida de su visión.**
5. **No cortocircuite el cartucho de batería:**
 - (1) **No toque los terminales con ningún material conductor.**
 - (2) **Evite almacenar el cartucho de batería en un contenedor con otros objetos metálicos, como clavos, monedas, etc.**
 - (3) **No exponga el cartucho de batería al agua o la lluvia.**

Un cortocircuito de la batería puede ocasionar un gran flujo de corriente, recalentamiento, posibles quemaduras e incluso una rotura.
6. **No almacene la herramienta y el cartucho de batería en lugares donde la temperatura pueda alcanzar o exceder los 50°C.**
7. **No incinere el cartucho de batería aunque esté severamente dañado o ya no sirva. El cartucho de batería puede explotar en un fuego.**
8. **Tenga cuidado de no dejar caer o golpear la batería.**
9. **No utilice una batería dañada.**
10. **Siga los reglamentos locales en relación con el desecho de la batería.**

GUARDE ESTAS INSTRUCCIONES.

⚠PRECAUCIÓN: Utilice solamente baterías genuinas de Makita. La utilización de baterías no genuinas de Makita, o baterías que han sido alteradas, puede resultar en una explosión de la batería ocasionando incendios, heridas personales y daños. También anulará la garantía de Makita para la herramienta y el cargador de Makita.

Consejos para alargar al máximo la vida de servicio de la batería

1. Cargue el cartucho de batería antes de que se descargue completamente. Detenga siempre la operación de la herramienta y cargue el cartucho de batería cuando note menos potencia en la herramienta.
2. No recargue nunca un cartucho de batería que esté completamente cargado. La sobrecarga acorta la vida de servicio de la batería.
3. Cargue el cartucho de batería a una temperatura ambiente de 10°C - 40°C. Deje que un cartucho de batería caliente se enfríe antes de cargarlo.
4. Cargue el cartucho de batería si no lo utiliza durante un periodo de tiempo largo (más de seis meses).

DESCRIPCIÓN DE LAS PARTES

► Fig. 1:

- | | |
|--------------------------------------|--------------------------------|
| 1. Vidrio de nivel | 7. Interruptor de alimentación |
| 2. Tapón de llenado de aceite/escape | 8. Lámpara LED |
| 3. Válvula de cierre de la admisión | 9. Motor |
| 4. Empuñadura | 10. Base |
| 5. Portabatería | 11. Depósito de aceite |
| 6. Batería | 12. Tapón de drenaje |

DESCRIPCIÓN DEL FUNCIONAMIENTO

⚠PRECAUCIÓN: Asegúrese siempre de que la bomba está apagada y el cartucho de batería retirado antes de ajustar o comprobar la función de la bomba.

Instalación o desmontaje del cartucho de batería

⚠PRECAUCIÓN: Apague siempre la bomba antes de instalar o retirar el cartucho de batería.

⚠PRECAUCIÓN: Sujete la bomba y el cartucho de batería firmemente cuando instale o retire el cartucho de batería. Si no sujeta la bomba y el cartucho de batería firmemente podrán caérsele de las manos y resultar en daños a la bomba y cartucho de batería y heridas personales.

► Fig. 2:

1. Indicador rojo
2. Botón
3. Cartucho de batería

Para retirar el cartucho de batería, deslícelo de la bomba mientras desliza el botón de la parte frontal del cartucho.

Para instalar el cartucho de batería, alinee la lengüeta del cartucho de batería con la ranura en el alojamiento y deslícelo al interior hasta encajarlo en su sitio. Insértelo a fondo hasta que se bloquee en su sitio con un leve chasquido. Si puede ver el indicador rojo en el lado superior del botón, no estará bloqueado completamente.

⚠PRECAUCIÓN: Instale siempre el cartucho de batería completamente hasta que no pueda verse el indicador rojo. En caso contrario, podrá caerse accidentalmente de la bomba y ocasionarle heridas a usted o a alguien que esté cerca de usted.

⚠PRECAUCIÓN: No instale el cartucho de batería empleando fuerza. Si el cartucho no se desliza al interior fácilmente, será porque no está siendo insertado correctamente.

Sistema de protección de la batería

► Fig. 3:

1. Marca de estrella

La bomba está equipada con un sistema de protección de la batería. Este sistema corta automáticamente la alimentación al motor para alargar la vida útil de la batería.

La bomba se detendrá automáticamente durante la operación si la bomba y/o la batería son puestas en una de las condiciones siguientes:

Sobrecargada:

La bomba está siendo operada de una manera que ocasiona que absorba una corriente anormalmente alta. En esta situación, apague la bomba y detenga la tarea que ocasiona la sobrecarga de la bomba. Después encienda la bomba para volver a empezar.

Si la bomba no se pone en marcha, la batería estará recalentada.

En esta situación, deje que la batería se enfríe antes de encender la bomba otra vez.

Poca tensión de batería:

La capacidad de batería restante es demasiado baja y la bomba no funcionará. En esta situación, retire y recargue la batería.

NOTA: La protección contra el recalentamiento funcionará solamente con un cartucho de batería que tenga la marca de estrella.

Indicación de la capacidad de batería restante

Solamente para cartuchos de batería con "B" al final del número de modelo

► Fig. 4:

1. Lámparas de indicación
2. Botón de comprobación

Presione el botón de comprobación del cartucho de batería para indicar la capacidad de batería restante. Las lámparas de indicación se iluminan durante unos pocos segundos.

Lámparas de indicación			Capacidad restante
Encendida	Apagada	Parpadeando	
			75% a 100%
			50% a 75%
			25% a 50%
			0% a 25%
			Cargue la batería.
			Puede que la batería haya funcionado mal.

NOTA: Dependiendo de las condiciones de utilización y la temperatura ambiente, puede que la indicación varíe ligeramente de la capacidad real.

OPERACIÓN

La bomba no contiene aceite cuando se compra nueva. Consulte "Para añadir aceite" y añada aceite.

⚠ ADVERTENCIA: La operación de la bomba en la condición sin añadir aceite dañará la bomba. Además, el depósito de aceite se calentará y podrá resultar en quemaduras y otros accidentes.

Para añadir aceite

► Fig. 5:

1. Tapón de llenado de aceite/escape
2. Línea de nivel
3. Vidrio de nivel
4. Depósito de aceite

1. Retire el tapón de llenado de aceite/escape y añada el aceite suministrado a través de la boca de llenado.

AVISO: Utilice siempre aceite genuino de Makita para mantener el rendimiento de la bomba.

2. Añada aceite hasta que el nivel de aceite esté entre las líneas de nivel superior e inferior del vidrio de nivel.

AVISO: El nivel de aceite es importante. La operación de la bomba en la condición con el nivel de aceite no estando entre las líneas de nivel superior e inferior podrá resultar en un mal funcionamiento.

Comprobación del rendimiento

► Fig. 6:

1. Admisión
2. Válvula del lado inferior
3. Bomba de vacío
4. Colector

1. Conecte la válvula del lado inferior del colector y el orificio de admisión de la bomba con una manguera de carga.
2. Cierre la válvula del lado inferior del colector.
3. Abra la válvula de cierre de la admisión.
4. Abra la válvula de entrada.
5. Encienda la bomba. Si la presión del colector indica un vacío de -0,09 a -0,1 MPa dentro de 30 segundos, la bomba estará operando debidamente.
6. Apague la bomba.

Operación

► Fig. 7:

1. Bomba de vacío
2. Válvula de cierre de la admisión
3. Manguera de carga (amarilla)
4. Colector
5. Válvula del lado inferior
6. Medidor de baja presión
7. Válvula del lado superior
8. Manguera de carga (azul)
9. Lumbreira de servicio (Lado de baja presión)
10. Unidad exterior

1. Conecte la bomba, el colector y la unidad exterior con mangueras.

NOTA: Cuando el tamaño de la lumbreira de servicio de la unidad sea de 1/4", utilice el adaptador de diámetro diferente suministrado.

2. Compruebe que las válvulas del lado superior y lado inferior del colector están cerradas.
3. Instale la batería en la bomba. (Consulte "Instalación o desmontaje del cartucho de batería" para ver el método de instalación).
4. Encienda la bomba. La lámpara LED (verde) se ilumina.
5. Abra la válvula de cierre de la admisión de la bomba y la válvula del lado inferior del colector.

⚠ADVERTENCIA: La bomba se vuelve caliente durante la operación e inmediatamente después de su parada. No toque la bomba mientras está caliente. Si lo hace podrá resultar en quemaduras y otros accidentes.

NOTA: El motor podrá no poderse operar cuando esté frío (5°C o menos). En estos casos, traslade la bomba a interiores y deje que se caliente.

6. Cuando se alcance el vacío especificado (consulte el manual suministrado por el fabricante del acondicionador de aire), cierre la válvula del lado inferior del colector.
7. Cierre la válvula de cierre de la admisión y apague la bomba.

Test de hermeticidad

No habrá fugas si la presión del colector no sube durante 5 minutos o más después de dejar la bomba y el colector.

NOTA: Cuando la capacidad de batería restante sea baja, la lámpara LED se apagará y al mismo tiempo comenzará a sonar un pitido de alarma largo. Unos dos minutos después el motor se parará. Y después el pitido de alarma cambiará a un pitido de intervalo corto repetido que avisa de la parada del motor y 30 segundos después el pitido cesará. Sin embargo, no espere hasta que el motor se pare (o a que la alarma cambie a un pitido corto), y en su lugar, cierre la válvula de entrada de la bomba y la válvula del lado de baja presión del colector.

Compruebe que la bomba está apagada, retire la batería, y cárguela o reemplácela con una batería de repuesto.

- Consulte la tabla siguiente para ver los tiempos de operación de la batería.

Tiempos de operación (directriz)

Batería	Tiempos de operación
BL1860B	75 min
BL1850 / BL1850B	50 min
BL1840 / BL1840B	40 min
BL1830 / BL1830B	30 min

- Después de terminar el trabajo, retire la batería y coloque la cubierta suministrada.

AVISO: Cuando transporte, opere y almacene la bomba, no la ponga nunca sobre su costado o cabeza abajo. Esto puede ocasionar fugas de aceite por el tapón de llenado de aceite/ventilación.

Transporte y almacenamiento

- Drene siempre todos los fluidos de su bomba de vacío antes de enviarla para evitar dañar el contenedor.
- Tape siempre orificio de admisión con el tapón para evitar que entre polvo en la bomba.
- Asegúrese de que la bomba es mantenida en posición horizontal.
- La bomba se almacena en interiores a una temperatura ambiente de 5°C – 40°C .

MANTENIMIENTO

⚠PRECAUCIÓN: Asegúrese siempre de que la bomba está apagada y el cartucho de batería retirado antes de intentar hacer una inspección o mantenimiento.

AVISO: No utilice nunca gasolina, bencina, diluyente, alcohol o similar. Podrá resultar en decoloración, deformación o grietas.

Para mantener la SEGURIDAD y FIABILIDAD del producto, las reparaciones, y cualquier otra tarea de mantenimiento o ajuste deberán ser realizadas en centros de servicio autorizados o de fábrica de Makita, empleando siempre repuestos Makita.

Detenga la bomba:

Para alargar la vida útil de la bomba y conseguir un arranque suave, se deberán seguir estos procedimientos para detener la bomba.

1. Cierre la válvula del colector entre la bomba y el sistema.
2. Retire la manguera del orificio de entrada de la bomba.

Tape la abertura del orificio de admisión para evitar cualquier contaminación o que entren partículas extrañas en el orificio.

Comprobación del aceite

► Fig. 8:

1. Línea de nivel
 2. Vidrio de nivel
- Compruebe siempre el nivel y la condición del aceite (deterioro, etc.) antes de utilizar la bomba.

NOTA: Añada aceite hasta que el nivel de aceite esté entre las líneas de nivel superior e inferior del vidrio de nivel.

Reemplazo del aceite

► Fig. 9:

1. Válvula de cierre de la admisión
 2. Tapón de drenaje
1. Abra la válvula de cierre de la admisión.
 2. Opere la bomba durante 1 o 2 minutos para calentar el aceite.
 3. Apague la bomba.
 4. Retire el tapón de drenaje y drene el aceite.
 5. Consulte "Para añadir aceite" y añada aceite nuevo.
- Deseche el aceite usado de acuerdo con los reglamentos locales.

NOTA: Se recomienda cambiar el aceite después de 20 horas de utilización para proteger los componentes de la bomba de contaminantes que entran en la bomba. Cuando realice el vacío de sistemas de refrigeración viejos, cambie el aceite después de cada utilización.

Aceite de bomba de vacío:

La condición y el tipo del aceite usado en cualquier bomba de vacío de alto rendimiento son muy importantes en la determinación del vacío máximo obtenible. Se recomienda utilizar el aceite de bomba de vacío de alto rendimiento, que está específicamente mezclada para mantener la máxima viscosidad a temperaturas normales y para mejorar el arranque en climas fríos.

Limpieza de la bomba

1. Cuando el aceite esté muy sucio, reemplace el aceite y después opere la bomba durante 3 a 5 minutos.
2. Drene el aceite y añada aceite nuevo.

Si el aceite drenado todavía está sucio, repita este procedimiento de limpieza dos o tres veces.

Solución de problemas

Condición	Causa posible	Solución
La bomba no se pone en marcha.	<ol style="list-style-type: none">1. La batería no está colocada debidamente.2. La temperatura ambiente es muy baja.3. Mala conexión del cableado.4. La bomba está bloqueada.5. Fallo del motor.	<ol style="list-style-type: none">1. Coloque la batería debidamente.2. Caliente al bomba en interiores.3. Repare.4. Repare.5. Repare.
La bomba no produce vacío suficiente.	<ol style="list-style-type: none">1. Fugas en el sistema.2. Aceite insuficiente.3. Aceite sucio.4. Piezas de la bomba desgastadas.5. Guarniciones, juntas obturadoras y sellos dañados.6. Fallo del motor.	<ol style="list-style-type: none">1. Repare el sistema.2. Rellene o cambie el aceite.3. Limpie el depósito y cambie el aceite.4. Repare.5. Repare.6. Repare.
Fuga de aceite.	<ol style="list-style-type: none">1. Juntas obturadoras y sellos del eje dañados.2. Junta tórica del tapón de drenaje de aceite dañada.3. Tapón de drenaje de aceite flojo.	<ol style="list-style-type: none">1. Repare.2. Reemplace la junta tórica.3. Apriete el tapón de drenaje de aceite.
Ruido anormal.	<ol style="list-style-type: none">1. Fallo del motor.2. Fallo de rodamiento.3. Pernos flojos.4. Fallo de la bomba.5. Se succiona aire.	<ol style="list-style-type: none">1. Repare.2. Repare.3. Apriete los pernos.4. Repare.5. Apriete los tapones y las conexiones. Reemplace las juntas obturadoras y juntas tóricas. Reemplace las guarniciones o reséllelas.

Observación: Si estos procedimientos no resuelven el problema, póngase en contacto con el distribuidor autorizado de Makita más cercano o envíe su bomba a nuestro centro de servicio.

ACCESORIOS OPCIONALES

⚠PRECAUCIÓN: Estos accesorios o acoplamientos están recomendados para utilizar con su herramienta Makita especificada en este manual. La utilización de cualquier otro accesorio o acoplamiento puede presentar un riesgo de heridas a personas. Utilice los accesorios o acoplamientos solamente para su fin establecido.

- Baterías y cargadores genuinos de Makita
- Aceite de bomba de vacío 150 ml
- Caja de aluminio de bomba de vacío
- Manguera de bomba de vacío
- Válvula con medidor de bomba de vacío

NOTA: Algunos de los elementos de la lista pueden estar incluidos en el paquete como accesorios estándar. Estos pueden variar de un país a otro.

Si necesita cualquier ayuda para conocer más detalles en relación con estos accesorios, pregunte al centro de servicio Makita local.

ESPECIFICAÇÕES

Modelo:	DVP180
Cartucho da bateria (capacidade)	BL1860B (6,0 Ah) BL1850 / BL1850B (5,0 Ah) BL1840 / BL1840B (4,0 Ah) BL1830 / BL1830B (3,0 Ah)
Tensão nominal	C. C. 18 V
Bomba	Bomba rotativa monofásica
Deslocação de ar livre	50 L/min
Vácuo total	20 Pa
Capacidade de óleo	100 – 115 ml
Entrada	Rosca macho de 5/16"
Dimensões	263 mm (C) × 93 mm (L) × 172 mm (A)
Peso líquido (com a bateria BL1850)	3,5 kg

- Devido ao nosso programa contínuo de investigação e desenvolvimento, as especificações aqui mencionadas estão sujeitas a alterações sem aviso prévio.
- As especificações e o cartucho da bateria podem variar de país para país.
- Peso, com o cartucho da bateria, de acordo com o Procedimento EPTA 01/2003

Bomba de vácuo para evacuação do ar de sistemas fechados (ar condicionado, tanques, etc).

Este equipamento foi concebido especificamente para sistemas HVAC&R.

A fase única destas bombas torna-a viável para alcançar o nível de vácuo final solicitado.

O design do nível de óleo baixo e do vidro de observação grande evita o funcionamento sem óleo e garante a utilização fiável.

Além disso, a válvula de verificação evita qualquer mistura de óleo devido ao refluxo após uma interrupção da corrente elétrica ou qualquer outra interrupção de processo.

Símbolos

O quadro seguinte mostra os símbolos utilizados para o equipamento.

Certifique-se de que compreende o seu significado antes da utilização.



- Leia o manual de instruções.



- Aviso: superfície quente!
Não toque à volta deste símbolo.
Tocar na superfície pode provocar queimaduras ou lesões.



- Apenas para países da União Europeia
Não elimine o equipamento elétrico ou a bateria juntamente com o lixo doméstico!

Para respeitar as Diretivas Europeias relacionadas com os Resíduos de Equipamentos Eletrónicos e Elétricos, Baterias e Acumuladores e respetiva implementação de acordo com as leis nacionais, o equipamento elétrico, as baterias e os conjuntos de baterias no fim do prazo de validade devem ser recolhidos separadamente e entregues numa instalação de reciclagem ecologicamente compatível.

DECLARAÇÃO DE CONFORMIDADE CE

Apenas para países europeus

A declaração de conformidade CE está incluída como Anexo A neste manual de instruções.

Avisos de segurança gerais de ferramentas elétricas

AVISO: Leia todos os avisos de segurança e instruções. A não observância dos avisos e das instruções pode resultar em choques elétricos, incêndios e/ou lesões graves.

Guarde todos os avisos e instruções para futura referência.

O termo "ferramenta elétrica" nos avisos refere-se à ferramenta elétrica (com fios) a eletricidade ou à ferramenta elétrica (sem fios) a bateria.

Segurança da área de trabalho

1. **Mantenha a área de trabalho limpa e bem iluminada.** As áreas sujas ou escuras convidam aos acidentes.
2. **Não opere ferramentas elétricas em atmosferas explosivas, como na presença de líquidos inflamáveis, gases ou poeira.** As ferramentas elétricas criam faíscas que podem inflamar a poeira ou os fumos.

3. **Mantenha as crianças e os transeuntes afastados durante a operação de uma ferramenta elétrica.** As distrações podem provocar-lhe a perda do controlo.
- Segurança elétrica**
 4. **As fichas das ferramentas elétricas têm de corresponder à tomada. Nunca modifique a ficha de qualquer forma. Não utilize quaisquer fichas adaptadoras com ferramentas elétricas com ligação à massa (terra).** As fichas não modificadas e as tomadas correspondentes reduzem o risco de choque elétrico.
 5. **Evite o contacto corporal com superfícies ligadas à massa ou à terra com tubos, radiadores, fogões e frigoríficos.** Existe um risco acrescido de choque elétrico se o corpo estiver ligado à massa ou à terra.
 6. **Não exponha as ferramentas elétricas à chuva ou à humidade.** A entrada de água numa ferramenta elétrica aumenta o risco de choque elétrico.
 7. **Não abuse do cabo. Nunca utilize o cabo para transportar, puxar ou desligar a ferramenta elétrica. Mantenha o cabo afastado do calor, óleo, extremidades afiadas ou peças móveis.** Os cabos emaranhados ou danificados aumentam o risco de choque elétrico.
 8. **Quando utilizar uma ferramenta elétrica no exterior, utilize um cabo de extensão para utilização no exterior.** A utilização de um cabo adequado para o exterior reduz o risco de um choque elétrico.
 9. **Se não for possível evitar a utilização de uma ferramenta elétrica numa localização húmida, utilize um fornecimento protegido com um interruptor de circuito de avarias com ligação à massa (GFCI).** A utilização de um GFCI reduz o risco de um choque elétrico.
- Segurança pessoal**
 10. **Permaneça atento, observe o que está a fazer e utilize o senso comum quando operar uma ferramenta elétrica. Não utilize uma ferramenta elétrica se estiver cansado ou sob influência de drogas, álcool ou medicamentos.** Um momento de desatenção durante a operação de ferramentas elétricas pode resultar em lesões pessoais graves.
 11. **Utilize equipamento de proteção pessoal. Use sempre proteção nos olhos.** O equipamento de proteção como a máscara antipoeiras, os sapatos de segurança antideslizantes, capacete ou a proteção auditiva utilizada para as condições adequadas reduz as lesões pessoais.
 12. **Evite o arranque não intencional. Certifique-se de que o interruptor está na posição de desligado antes de ligar a fonte de alimentação e/ou a bateria, recolher ou transportar a ferramenta.** Transportar ferramentas com o dedo no interruptor ou ligar a alimentação das ferramentas elétricas com o interruptor ligado é um convite aos acidentes.
 13. **Retire qualquer chave de ajuste ou chave inglesa antes de ligar a ferramenta elétrica.** Uma chave inglesa ou uma chave deixada numa peça rotativa da ferramenta elétrica pode resultar em lesões pessoais.
14. **Não se exceda. Mantenha sempre a posição dos pés e o equilíbrio adequados.** Este procedimento permite controlar melhor a ferramenta elétrica em situações inesperadas.
15. **Vista-se adequadamente. Não use roupas largas ou joias. Mantenha o cabelo, o vestuário e as luvas afastados das peças rotativas.** Roupas largas, joias ou cabelo comprido podem ficar presos em peças rotativas.
16. **Se os dispositivos tiverem ligações para instalações de recolha e extração de poeiras, certifique-se de que estas estão ligadas e são utilizadas adequadamente.** A utilização da recolha de poeiras pode reduzir os perigos relacionados com poeiras.
- Cuidados e utilização da ferramenta elétrica**
 17. **Não force a ferramenta elétrica. Utilize a ferramenta elétrica correta para a sua aplicação.** A ferramenta elétrica correta faz o trabalho melhor e de forma mais segura de acordo com a classificação para a qual foi concebida.
 18. **Não utilize a ferramenta elétrica se o interruptor não ligar nem desligar.** Qualquer ferramenta elétrica que não seja possível controlar com o interruptor é perigosa e deve de ser reparada.
 19. **Desligue a ficha da fonte de alimentação e/ou a bateria da ferramenta elétrica antes de fazer quaisquer ajustes, mudar acessórios ou guardar ferramentas elétricas.** Essas medidas de segurança preventivas reduzem o risco de arranque accidental da ferramenta elétrica.
 20. **Guarde as ferramentas elétricas inativas fora do alcance das crianças e não permita que pessoas não familiarizadas com a ferramenta elétrica ou estas instruções operem a ferramenta elétrica.** As ferramentas elétricas são perigosas nas mãos de utilizadores sem formação.
 21. **Mantenha as ferramentas elétricas. Procure peças rotativas mal alinhadas ou encravadas, peças partidas e em qualquer outra condição que possa afetar o funcionamento da ferramenta elétrica. Se danificada, mande reparar a ferramenta elétrica antes da utilização.** Muitos acidentes são provocados por ferramentas elétricas com uma manutenção deficiente.
 22. **Mantenha as ferramentas de corte afiadas e limpas.** As ferramentas de corte com extremidades de corte afiadas mantidas adequadamente têm menor probabilidade de encravar e são mais fáceis de controlar.
 23. **Utilize a ferramenta elétrica, os acessórios e as pontas das ferramentas, etc, de acordo com estas instruções, tendo em conta as condições de trabalho e o trabalho a efetuar.** A utilização da ferramenta elétrica para operações diferentes das previstas pode resultar numa situação perigosa.
- Cuidado e utilização da ferramenta com bateria**
 24. **Recarregue apenas com o carregador especificado pelo fabricante.** Um carregador adequado para um tipo de bateria pode criar um risco de incêndio quando utilizado com outras baterias.

25. Utilize as ferramentas elétricas apenas com as baterias concebidas especificamente. A utilização de quaisquer outras baterias pode criar um risco de lesão e incêndio.
26. Quando não utilizar a bateria, mantenha-a afastada doutros objetos metálicos pequenos, como cliques de papel, moedas, chaves, pregos, parafusos ou outros objetos metálicos, que possam fazer uma ligação de um terminal para outro. O curto-circuito dos terminais da bateria pode provocar queimaduras ou um incêndio.
27. Em condições abusivas, o líquido pode ser ejetado da bateria; evite o contacto. Se o contacto ocorrer acidentalmente, lave com água. Se o líquido entrar em contacto com os olhos, procure também ajuda médica. O líquido ejetado da bateria pode provocar irritação ou queimaduras.

Assistência

28. Mandê reparar a ferramenta elétrica num reparador qualificado apenas com peças sobresselentes idênticas. Este procedimento garante manutenção da segurança da ferramenta elétrica.
29. Siga as instruções de lubrificação e mudança de acessórios.
30. Mantenha as peças secas, limpas e sem óleo e massa lubrificante.

Avisos de segurança da bomba de vácuo a bateria

Leia as instruções cuidadosamente na literatura, o cumprimento estrito dos procedimentos é a condição principal para a segurança do operador.

1. A bomba de vácuo é uma máquina utilizada para evacuar equipamento de ar condicionado e refrigeração e vasos de recuperação. Não a utilize para outras aplicações. Este procedimento pode provocar acidentes.
2. Procure sempre fugas de óleo na bomba de vácuo antes da utilização. O incumprimento deste procedimento pode resultar em incêndio.
3. Verifique o nível do óleo e o estado (deterioração, etc.) para permitir um trabalho seguro e eficiente.
4. Use luvas e óculos de proteção quando manusear refrigerante; evite o contacto com o refrigerante, pode provocar cegueira e lesões no operador.
5. Pode não conseguir obter o desempenho adequado em ambientes extremamente frios ou quentes.

GUARDE ESTAS INSTRUÇÕES.

AVISO: NÃO deixe que o conforto ou a familiaridade com o produto (obtido com a utilização repetida) substitua o cumprimento estrito das regras de segurança do produto.

A MÁ UTILIZAÇÃO ou o não seguimento das regras de segurança indicadas neste manual de instruções pode provocar lesões pessoais graves.

Instruções de segurança importantes para o cartucho da bateria

1. Antes de utilizar o cartucho da bateria, leia todas as instruções e avisos de precaução no (1) carregador da bateria, (2) bateria e (3) produto que utiliza a bateria.
2. Não desmonte o cartucho da bateria.
3. Se o tempo de funcionamento for excessivamente mais curto, interrompa o funcionamento imediatamente. Pode resultar num risco de sobreaquecimento, possíveis queimaduras e mesmo numa explosão.
4. Se o eletrólito entrar nos olhos, lave-os com água limpa e procure ajuda médica imediatamente. Pode provocar a perda da visão.
5. Não provoque curtos-circuitos no cartucho da bateria:
 - (1) Não toque nos terminais com qualquer material condutor.
 - (2) Evite guardar o cartucho da bateria num contentor com outros objetos metálicos como pregos, moedas, etc.
 - (3) Não exponha o cartucho da bateria à água ou à chuva.

Um curto-circuito na bateria pode provocar um grande fluxo de corrente, sobreaquecimento, possíveis queimaduras e mesmo uma avaria.

6. Não guarde a ferramenta e o cartucho da bateria em locais onde a temperatura possa atingir ou exceder 50°C.
7. Não incinere o cartucho da bateria mesmo quando esteja muito danificado ou estiver completamente gasto. O cartucho da bateria pode explodir num incêndio.
8. Tenha cuidado para não deixar cair ou bater com a bateria.
9. Não utilize uma bateria danificada.
10. Cumpra os regulamentos locais relacionados com a eliminação da bateria.

GUARDE ESTAS INSTRUÇÕES.

PRECAUÇÃO: Utilize apenas baterias genuínas Makita. A utilização de baterias não genuínas Makita ou de baterias alteradas pode provocar o rebentamento da bateria que causa incêndios, lesões pessoais e danos. Também anula a garantia do carregador e da ferramenta da Makita.

Sugestões para manter a duração máxima da bateria

1. Carregue o cartucho da bateria antes de estar completamente descarregado. Pare sempre o funcionamento da ferramenta e carregue o cartucho da bateria quando sentir menos potência na ferramenta.
2. Nunca recarregue um cartucho da bateria completamente carregado. O sobrecarregamento diminui a duração de vida da bateria.

- Carregue o cartucho da bateria com uma temperatura ambiente de 10°C a 40°C. Deixe o cartucho da bateria quente arrefecer antes de o carregar.
- Carregue o cartucho da bateria se não o utilizar durante um longo período de tempo (mais de seis meses).

⚠PRECAUÇÃO: Instale sempre o cartucho da bateria completamente até não conseguir ver o indicador vermelho. Se não o fizer, pode cair acidentalmente da bomba, provocando lesões a si e aos outros à sua volta.

⚠PRECAUÇÃO: Não instale o cartucho da bateria à força. Se o cartucho não deslizar facilmente, é porque não está inserido corretamente.

DESCRIÇÃO DAS PEÇAS

► Fig. 1:

- | | |
|---------------------------------------|-----------------------|
| 1. Vidro de observação | 6. Bateria |
| 2. Tampão do escape/ enchedor de óleo | 7. Interruptor |
| 3. Válvula de descarga da entrada | 8. Luz LED |
| 4. Pega | 9. Motor |
| 5. Suporta da bateria | 10. Base |
| | 11. Depósito de óleo |
| | 12. Bujão de drenagem |

DESCRIÇÃO FUNCIONAL

⚠PRECAUÇÃO: Certifique-se sempre de que a bomba está desligada e o cartucho da bateria é removido antes de ajustar ou verificar o funcionamento da bomba.

Instalar ou remover o cartucho da bateria

⚠PRECAUÇÃO: Desligue sempre a bomba antes de instalar ou remover o cartucho da bateria.

⚠PRECAUÇÃO: Segure a bomba e o cartucho da bateria firmemente quando instalar ou remover o cartucho da bateria. Não segurar a bomba e o cartucho da bateria firmemente pode provocar o deslizamento das suas mãos e causar danos na bomba e no cartucho da bateria e uma lesão pessoal.

► Fig. 2:

- Indicador vermelho
- Botão
- Cartucho da bateria

Para remover o cartucho da bateria, deslize-o da bomba enquanto desliza o botão na parte frontal do cartucho.

Para instalar o cartucho da bateria, alinhe a patilha do cartucho da bateria com a ranhura no compartimento e deslize-o para o lugar. Insira-o completamente até encaixar no lugar com um pequeno clique. Se conseguir ver o indicador vermelho na parte superior do botão, é porque não está completamente bloqueado.

Sistema de proteção da bateria

► Fig. 3:

- Marca da estrela

A bomba está equipada com um sistema de proteção da bateria. Este sistema corta automaticamente a alimentação para o motor para aumentar a vida da bateria.

A bomba para automaticamente durante o funcionamento se a bomba e/ou a bateria forem colocadas numa das seguintes situações:

Sobrecarga:

A bomba é operada de uma forma que provoca a utilização de uma corrente anormalmente elevada.

Nesta situação, desligue a bomba e pare a aplicação que provocou a sobrecarga da bomba. Em seguida, ligue a bomba para reiniciar.

Se a bomba não arrancar, é porque a bateria está sobreaquecida.

Nesta situação, deixe a bateria arrefecer antes de voltar a ligar a bomba.

Tensão da bateria baixa:

A capacidade restante da bateria é muito baixa e a bomba não funciona. Nesta situação, remova e recarregue a bateria.

NOTA: A proteção contra o sobreaquecimento só funciona com um cartucho da bateria com uma marca da estrela.

Indicar a capacidade restante da bateria

Apenas para cartuchos de baterias com “B” no fim do número do modelo

► Fig. 4:

- Luzes do indicador
- Botão de verificação

Prima o botão de verificação no cartucho da bateria para indicar a capacidade restante da bateria. As luzes do indicador acendem-se durante alguns segundos.

Luzes do indicador			Capacidade restante
Aceso	Desligado	Intermitente	
			75% a 100%
			50% a 75%
			25% a 50%

Luzes do indicador			Capacidade restante
Aceso	Desligado	Intermitente	
			0% a 25%
			Carregue a bateria.
			A bateria pode estar avariada.

NOTA: Dependendo das condições de utilização e da temperatura ambiente, a indicação pode diferir ligeiramente da capacidade atual.

OPERAÇÃO

A bomba não contém óleo quando comprada recentemente.

Consulte "Adicionar óleo" e adicione óleo.

AVISO: O funcionamento da bomba sem óleo adicionado danifica a bomba. Além disso, o depósito do óleo fica quente e pode provocar queimaduras ou outros acidentes.

Adicionar óleo

► Fig. 5:

1. Tampão do escape/ enchedor de óleo
2. Linha do nível
3. Vidro de observação
4. Depósito de óleo

1. Remova o tampão do escape/enchedor de óleo e adicione o óleo fornecido através da porta do enchedor.

OBSERVAÇÃO: Utilize sempre óleo genuíno Makita para manter o desempenho da bomba.

2. Adicione óleo até o nível do óleo ficar entre as linhas dos níveis superior e inferior do vidro de observação.

OBSERVAÇÃO: O nível de óleo é importante. Operar a bomba sem o nível de óleo entre as linhas do nível superior e inferior pode provocar avaria.

Verificar o desempenho

► Fig. 6:

1. Entrada
2. Válvula inferior
3. Bomba de vácuo
4. Coletor

1. Ligue a válvula inferior do coletor e a porta de admissão da bomba com um tubo de carregamento.
2. Feche a válvula inferior do coletor.
3. Abra a válvula de descarga da entrada.
4. Abra a válvula de entrada.

5. Ligue a bomba. Se a pressão do coletor indicar um vácuo de -0,09 a -0,1 MPa num período de 30 segundos, é porque a bomba está a funcionar adequadamente.
6. Desligue a bomba.

Operação

► Fig. 7:

1. Bomba de vácuo
2. Válvula de descarga da entrada
3. Tubo de carregamento (amarelo)
4. Coletor
5. Válvula inferior
6. Indicador de baixa pressão
7. Válvula superior
8. Tubo de carregamento (azul)
9. Porta de serviço (Lado da baixa pressão)
10. Unidade exterior

1. Ligue a bomba, o coletor e a unidade exterior com tubos.

NOTA: Quando o tamanho da porta de serviço da unidade for 1/4", utilize o adaptador de diâmetro diferente fornecido.

2. Verifique se as válvulas superior e inferior do coletor estão fechadas.
3. Instale a bateria na bomba. (Consulte "Instalar ou remover o cartucho da bateria" para ver o método de instalação.)
4. Ligue a bomba. A luz LED (verde) acende-se.
5. Abra a válvula de descarga da entrada da bomba e a válvula inferior do coletor.

AVISO: A bomba fica quente durante o funcionamento e imediatamente após a paragem. Não toque na bomba enquanto estiver quente. Este procedimento pode provocar queimaduras ou outros acidentes.

NOTA: O motor pode não funcionar quando está frio (5°C ou menos). Nestes casos, traga a bomba para o interior e deixa-a aquecer.

6. Quando alcançar o vácuo especificado (consulte o manual fornecido pelo fabricante de ar condicionado), feche a válvula inferior do coletor.
7. Feche a válvula de descarga da entrada e desligue a bomba.

Teste de estanquidade

Não existem fugas se a pressão do coletor não subir durante 5 minutos ou mais depois de deixar a bomba e o coletor.

NOTA: Quando a capacidade restante da bateria ficar fraca, a luz LED apaga-se e, simultaneamente, começa a tocar um sinal de alarme longo. O motor para cerca de dois minutos mais tarde. Em seguida, o sinal de alarme muda para um sinal sonoro breve repetido que notifica a paragem do motor e 30 segundos mais tarde o sinal sonoro para. No entanto, não aguarde até o motor parar (ou o sinal de alarme mudar para um sinal sonoro curto) e, em vez disso, feche a válvula da entrada da bomba e a válvula do lado de baixa pressão do coletor.

Verifique se a bomba está desligada, remova a bateria e carregue-a ou substitua-a por uma bateria sobresselente.

- Consulte a tabela seguinte para os tempos de funcionamento da bateria.

Tempos de funcionamento (diretrizes)

Bateria	Tempos de funcionamento
BL1860B	75 min
BL1850 / BL1850B	50 min
BL1840 / BL1840B	40 min
BL1830 / BL1830B	30 min

- Depois de terminar o trabalho, remova a bateria e coloque a tampa fornecida.

OBSERVAÇÃO: Quando transportar, operar e guardar a bomba, nunca a coloque de lado ou virada ao contrário. Isto pode provocar a fuga de óleo do tampão do escape/enchedor de óleo.

Transporte e armazenamento

- Drene sempre todos os fluidos da bomba de vácuo antes do transporte para evitar danos no contentor.
- Tape sempre a porta de entrada com a tampa para impedir qualquer poeira de entrar na bomba.
- Certifique-se de que a bomba fica numa posição horizontal.
- A bomba é guardada a uma temperatura ambiente interior de 5°C a 40°C.

MANUTENÇÃO

PRECAUÇÃO: Certifique-se sempre de que a bomba está desligada e o cartucho da bateria é removido antes de tentar efetuar operações de inspeção ou manutenção.

OBSERVAÇÃO: Nunca utilize gasolina, benzina, diluente, álcool ou similar. Pode provocar descoloração, deformação ou fendas.

Para manter a SEGURANÇA e a FIABILIDADE do produto, as reparações e quaisquer outros ajustes ou manutenções devem ser efetuados pelos Centros de Assistência da Fábrica ou Autorizados pela Makita, utilizando sempre peças sobresselentes da Makita.

Parar a bomba:

Para aumentar a duração da bomba e tornar o arranque mais suave, deve cumprir estes procedimentos para encerrar a bomba.

1. Feche a válvula do coletor entre a bomba e o sistema.
2. Remova o tubo da entrada da bomba.

Cubra a abertura da porta de entrada para evitar a entrada de qualquer contaminação ou partículas estranhas pela porta.

Verificar o óleo

► Fig. 8:

1. Linha do nível
 2. Vidro de observação
- Verifique sempre o nível de óleo e o estado (deterioração, etc.) antes de utilizar a bomba.

NOTA: Adicione óleo até o nível do óleo ficar entre as linhas dos níveis superior e inferior do vidro de observação.

Substituir o óleo

► Fig. 9:

1. Válvula de descarga
 2. Bujão de drenagem da entrada
1. Abra a válvula de descarga da entrada.
 2. Opere a bomba durante 1 ou 2 minutos para aquecer o óleo.
 3. Desligue a bomba.
 4. Remova o bujão de drenagem e drene o óleo.
 5. Consulte "Adicionar óleo" e adicione óleo novo.
- Elimine o óleo antigo de acordo com os regulamentos locais.

NOTA: Recomendamos que mude o óleo após 20 horas de utilização para proteger os componentes da bomba contra contaminantes que entram na bomba.

Quando aspirar sistemas de refrigeração antigos, mude o óleo após todas as utilizações.

Óleo da bomba de vácuo:

O estado e o tipo de óleo utilizado em qualquer bomba de vácuo de elevado desempenho são extremamente importantes para determinar o vácuo alcançável total. Recomendamos que utilize o Óleo da Bomba de Vácuo de Elevado Desempenho, que foi misturado especificamente para manter a viscosidade máxima a temperaturas normais e melhorar o arranque em tempo frio.

Limpar a bomba

1. Quando o óleo está extremamente sujo, substitua o óleo e opere a bomba de 3 a 5 minutos.
2. Drene o óleo e adicione óleo novo.
Se o óleo drenado ainda estiver muito sujo, repita este processo de limpeza duas ou três vezes.

Solução de problemas

Condição	Causa possível	Solução
A bomba não liga.	<ol style="list-style-type: none">1. A bateria não está colocada corretamente.2. A temperatura ambiente é muito baixa.3. Ligação elétrica deficiente.4. A bomba está bloqueada.5. Falha do motor.	<ol style="list-style-type: none">1. Coloque a bateria corretamente.2. Aqueça a bomba no interior.3. Repare.4. Repare.5. Repare.
A bomba não aspira suficientemente.	<ol style="list-style-type: none">1. Fuga do sistema.2. Óleo insuficiente.3. Óleo sujo.4. As peças da bomba estão gastas.5. Encaixes, juntas e vedante danificados.6. Falha do motor.	<ol style="list-style-type: none">1. Repare o sistema.2. Volte a encher ou mude o óleo.3. Limpe o depósito e mude o óleo.4. Repare.5. Repare.6. Repare.
Fuga de óleo.	<ol style="list-style-type: none">1. Vedantes dos veios e juntas danificados.2. O-ring do bujão de drenagem do óleo danificado.3. O bujão de drenagem do óleo está solto.	<ol style="list-style-type: none">1. Repare.2. Substitua o o-ring.3. Aperte o bujão de drenagem de óleo.
Ruído anormal.	<ol style="list-style-type: none">1. Falha do motor.2. Falha do rolamento.3. Parafusos soltos.4. Falha da bomba.5. O ar é sugado.	<ol style="list-style-type: none">1. Repare.2. Repare.3. Aperte os parafusos.4. Repare.5. Aperte as tampas e as ligações. Substitua as juntas e os o-rings. Substitua os encaixes ou volte a colocar os vedantes.

Observação: Se estes procedimentos não resolver o problema, contacte o distribuidor autorizado da Makita mais próximo ou envie a sua bomba para o nosso centro de assistência.

ACESSÓRIOS OPCIONAIS

⚠️ PRECAUÇÃO: Estes acessórios ou ligações são recomendados para utilização com a ferramenta Makita especificada neste manual. A utilização de quaisquer outros acessórios ou ligações pode apresentar um risco de lesão para as pessoas. Utilize apenas o acessório ou a ligação para o fim indicado.

Se necessitar de qualquer assistência para obter mais detalhes relacionados com estes acessórios, peça ao Centro de Assistência da Makita local.

- Baterias e carregadores genuínos Makita
- Óleo da bomba de vácuo 150 ml
- Caixa de alumínio da bomba de vácuo
- Tubo da bomba de vácuo
- Válvula da bomba de vácuo com indicador

NOTA: Alguns itens da lista podem estar na embalagem da ferramenta como acessórios de série. Podem variar de país para país.

SPECIFIKATIONER

Model:	DVP180
Akku (kapacitet)	BL1860B (6,0 Ah) BL1850 / BL1850B (5,0 Ah) BL1840 / BL1840B (4,0 Ah) BL1830 / BL1830B (3,0 Ah)
Mærkespænding	18 V DC
Pumpe	Enkeltrins rotationspumpe
Fri luftslagvolumen	50 l/min.
Sluttryk	20 Pa
Oliekapacitet	100 – 115 ml
Indsugning	5/16" studs, han
Dimensioner	263 mm (L) × 93 mm (B) × 172 mm (H)
Nettovægt (med BL1850 akku)	3,5 kg

- På grund af vores løbende forsknings- og udviklingsprogram kan specifikationerne heri ændres uden forudgående varsel.
- Specifikationerne og akku kan variere fra land til land.
- Vægt, med akku, i henhold til EPTA-procedure 01/2003

Vakuumpumpe til luftudtømning af lukkede systemer (airconditionlæg, beholdere osv.).

Dette udstyr er specielt designet til HVAC&R-systemer.

Det enkelte trin i disse pumper gør det muligt at opnå det ønskede endelige vakuumniveau.

Stort skueglas og lavt olieniveaudesign undgår kørsel uden olie og sikrer pålidelig brug.

Desuden undgår trykventilen eventuel olieblanding på grund af tilbagestrømning efter en strømafbrydelse eller anden procesafbrydelse.

Symboler

Nedenfor vises de symboler, der benyttes til udstyret. Sørg for, at du forstår deres betydning før brugen.



- Læs brugsanvisningen.



- Advarsel: varm overflade!
Rør ikke ved noget i nærheden af dette symbol.
Berøring af overfladen kan medføre forbrændinger eller personskade.



- Kun for lande i EU
Elektrisk udstyr eller akkuer må ikke bortskaffes sammen med husholdningsaffald!

I overensstemmelse med de europæiske direktiver om bortskaffelse af affald fra elektriske og elektroniske produkter samt batterier og akkumulatører, samt bortskaffelse af batterier og akkumulatører, og deres implementering i overensstemmelse med nationale love skal elektrisk udstyr samt batterier og akkuer, der har nået udløbet af deres levetid, indsamles separat og returneres til en miljøvenlig genanvendelsesfacilitet.

EF-OVERENSSTEMMELSESERKLÆRING

Kun for lande i Europa

EF-overensstemmelseserklæringen er inkluderet som Bilag A i denne brugsanvisning.

Generelle sikkerhedsadvarsler for maskiner

ADVARSEL: Læs alle sikkerhedsadvarsler og alle instruktioner. Hvis advarslerne og instruktionerne ikke overholdes, kan det medføre elektrisk stød, brand og/eller alvorlig personskade.

Gem alle advarsler og instruktioner til senere reference.

I advarslerne henviser "maskine" til den netstrømforsynede maskine (med ledning) eller den batteristrømforsynede (ledningsfri) maskine.

Sikkerhed i arbejdsområdet

1. **Hold arbejdsområdet rent og oplyst.** Rodede eller mørke arbejdsområder medfører uheld.
2. **Undlad at betjene maskiner i eksplosive atmosfærer, for eksempel ved tilstedeværelse af brændbare væsker, gasser eller støv.** Maskiner udsender gnister, der kan antænde støvet eller dampene.

3. **Hold børn og tilskuere på afstand ved betjeningen af en maskine.** Distractioner kan medføre, at du mister kontrollen over maskinen.
16. **Hvis der medfølger enheder til tilslutning af udstyr til filtrering og opsamling af støv, skal du sørge for, at disse er tilsluttet og anvendes korrekt.** Brug af støvopsamling kan reducere støvrelaterede risici.

Elektrisk sikkerhed

4. **Stikkene på maskinen skal svare til stikkontakten.** Du må aldrig ændre stikket på nogen måde. Brug ikke stikadaptere sammen med jordfurbundne maskiner. Uændrede stik og stikkontakter, der passer til dem, mindsker risikoen for elektrisk stød.
5. **Undgå kropskontakt med jordfurbundne overflader som rør, radiatorer, komfurer og køleskabe.** Hvis din krop er jordfurbundet, forøges risikoen for elektrisk stød.
6. **Udsæt ikke maskiner for regn eller våde omgivelser.** Hvis der kommer vand i maskinen, forøges risikoen for elektrisk stød.
7. **Overbelast ikke ledningen.** Brug aldrig ledningen til at bære eller trække maskinen eller til at tage den ud af stikkontakten. Hold ledningen væk fra varme, olie, skarpe kanter eller bevægelige dele. Beskadede eller sammenviklede ledninger forøger risikoen for elektrisk stød.
8. **Brug en forlængerledning, der er beregnet til udendørs brug, når maskinen anvendes udendørs.** Brug af en ledning, der er beregnet til udendørs brug, reducerer risikoen for elektrisk stød.
9. **Hvis du er nødt til at anvende en maskine i fugtige omgivelser, skal du benytte en strømforsyning, der er beskyttet af en fejlstrømsafbryder (GFCI – Ground Fault Circuit Interrupter).** Brug af en fejlstrømsafbryder reducerer risikoen for elektrisk stød.

Personlig sikkerhed

10. **Vær opmærksom, fokusér på det, du arbejder med, og brug din sunde fornuft ved betjening af maskinen.** Anvend ikke en maskine, når du er træt eller påvirket af stoffer, alkohol eller medicin. Ved brug af maskiner kan ét enkelt øjeblik uopmærksomhed medføre alvorlig personskade.
11. **Brug personligt beskyttelsesudstyr. Bær altid beskyttelsesbriller.** Beskyttelsesudstyr som f.eks. støvmaske, skridsikre sko, hjelm eller høreværn, der benyttes under de relevante forhold, forebygger personskade.
12. **Forebyg, at maskinen starter ved et uheld. Sørg for, at afbryderen er slået fra, før du sætter maskinen til strømforsyningen og/eller akkuen, tager maskinen op eller bærer den.** Hvis du bærer maskiner med fingeren på afbryderen, eller hvis du sætter strøm til maskiner, mens afbryderen er slået til, kan det medføre uheld.
13. **Fjern alle justeringsnøgler eller skruenøgler, før du tænder for maskinen.** En skruenøgle eller nøgle, der sidder på en roterende maskindel, kan forårsage personskade.
14. **Stræk dig ikke for langt. Oprethold til enhver tid korrekt fodfæste og balance.** Det giver bedre kontrol med maskinen i uventede situationer.
15. **Bær korrekt påklædning. Undgå at bære løs påklædning eller smykker.** Hold hår, tøj og handsker væk fra bevægelige dele. Løstsiddende tøj, smykker eller langt hår kan blive indfanget i de bevægelige dele.
17. **Brug ikke magt på maskinen.** Brug den rigtige maskine til formålet. Den rigtige maskine gør arbejdet bedst og sikrest i det tempo, som den er udviklet til.
18. **Brug ikke maskinen, hvis der ikke kan tændes og slukkes på afbryderen.** En maskine, der ikke kan kontrolleres med afbryderen, er farlig og skal til reparation.
19. **Tag stikket ud af stikkontakten, og/eller tag akkuen ud af maskinen, før du foretager justeringer, skifter tilbehør eller gemmer maskiner af vejen.** Sådanne forebyggende sikkerhedsforanstaltninger mindsker risikoen for, at maskinen starter ved et uheld.
20. **Opbevar maskiner, der ikke benyttes, utilgængeligt for børn, og lad ikke personer, som ikke er kendt med maskinen eller disse instruktioner, bruge maskinen.** Maskiner er farlige i hænderne på uøvede brugere.
21. **Hold maskiner ved lige. Se efter fejljustering eller binding i bevægelige dele, dele, som er i stykker, og alle andre forhold, som kan påvirke anvendelsen af maskinen.** Få maskinen repareret før brugen, hvis den er i stykker. Mange ulykker skyldes dårligt vedligeholdte maskiner.
22. **Hold skæremaskiner skarpe og rene.** Der er mindre risiko for, at korrekt vedligeholdte skæremaskiner med skarpe skærende kanter binder, og de er lettere at kontrollere.
23. **Anvend maskinen, tilbehøret og maskinbits osv. i overensstemmelse med disse instruktioner, og tag højde for arbejdsforholdene og det arbejde, der skal udføres.** Brug af maskinen til andre anvendelsesformål end dem, den er beregnet til, kan medføre en farlig situation.

Brug og vedligeholdelse af batterimaskiner

24. **Genoplad kun med den oplader, der er angivet af fabrikanten.** En oplader, der er beregnet til én type batteri, kan medføre risiko for brand, hvis den bruges med et andet batteri.
25. **Brug kun maskiner sammen med de specifikt beregnede akkuer.** Brug af andre akkuer kan medføre risiko for personskade og brand.
26. **Når akkuen ikke anvendes, skal du holde den på afstand af andre metalgenstande som f.eks. papirclips, mønter, nøgler, søm, skruer eller andre små metalgenstande, der kan skabe forbindelse fra én terminal til en anden.** Hvis batteriets terminaler kortsluttes, kan det forårsage forbrændinger eller brand.
27. **Ved misbrug kan der sprøjte væske ud fra batteriet. Undgå kontakt. Skyl med vand, hvis der opstår kontakt ved et uheld.** Hvis du får væske i øjet, skal du desuden søge læge. Væske, der sprøjter ud fra batteriet, kan medføre irritation eller forbrændinger.

Service

28. Få udført service på maskinen hos en autoriseret mekaniker, og brug kun tilsvarende reservedele. Dette sikrer, at maskinens sikkerhed opretholdes.
29. Følg instruktionerne for smøring og udskiftning af tilbehør.
30. Hold håndtagene tørre, rene og fri for olie og fedt.

Sikkerhedsadvarsler for akku vakuumpumpe

Læs instruktionerne i de skriftlige materialer omhyggeligt. Nøje overholdelse af procedurer er den vigtigste faktor for at beskytte operatøren.

1. Vakuumpumpen er en maskine, der bruges til at udtømme køle- og airconditionudstyr og genindvindingsbeholdere. Brug den ikke til andre formål. Dette kan medføre ulykker.
2. Kontroller altid vakuumpumpen for olielækager før brug. Hvis du ikke gør dette, kan det medføre brand.
3. Kontroller olieniveauet og oliens tilstand (forringelse osv.) for at garantere sikkert og effektivt arbejde.
4. Bær sikkerhedsbriller og handsker ved håndtering af kølemiddel. Undgå kontakt med kølemiddel, da det kan forårsage tab af synet og personskader for operatøren.
5. Der kan muligvis ikke opnås tilstrækkelig ydeevne under ekstremt varme eller kolde forhold.

GEM DISSE INSTRUKTIONER.

⚠ ADVARSEL: LAD IKKE tryghed eller kendskab til produktet (fra gentagen brug) betyde, at du ikke strengt overholder sikkerhedsreglerne for det pågældende produkt.

MISBRUG eller manglende overholdelse af sikkerhedsreglerne i denne brugsanvisning kan medføre alvorlig personskade.

Vigtige sikkerhedsinstruktioner for akku

1. Før brugen af akkuen skal du læse alle instruktioner og advarsler på (1) batteriopladeren, (2) batteriet og (3) det produkt, som batteriet anvendes i.
2. Skil ikke akkuen ad.
3. Hvis driftstiden er blevet betydeligt kortere, skal du straks ophøre med anvendelsen. Det kan medføre risiko for overophedning, mulige forbrændinger og endog eksplosion.
4. Hvis du får elektrolyt i øjnene, skal du med det samme skylle øjnene med rent vand og søge læge. Det kan medføre tab af synet.
5. Kortslut ikke akkuen:
 - (1) Undlad at berøre terminalerne med ledende materialer.
 - (2) Undlad at opbevare akkuen i en beholder sammen med andre metalgenstande som f.eks. søm, mønter osv.

(3) Udsæt ikke akkuen for vand eller regn.

Hvis batteriet kortsluttes, kan det medføre kraftig strøm, overophedning, mulige forbrændinger og endog nedbrud.

6. Undgå at opbevare maskinen og akkuen på steder, hvor temperaturen kan komme op på eller overstige 50 °C.
7. Undlad at sætte ild til akkuen, selvom den er alvorligt beskadiget eller helt udtjent. Akkuen kan eksplodere ved brand.
8. Undgå at tæbe eller slå på batteriet.
9. Anvend ikke et beskadiget batteri.
10. Overhold den lokale lovgivning vedrørende bortskaffelse af batteriet.

GEM DISSE INSTRUKTIONER.

⚠ FORSIGTIG: Brug kun originale batterier fra Makita. Brug af batterier, der ikke er originale batterier fra Makita, eller batterier, der er ændret, kan medføre, at batteriet bryder i brand, personskade og tingskade. Det medfører også, at Makitas garanti for Makita-maskinen og -opladeren bortfalder.

Tip til at forlænge batteriets levetid

1. Oplad akkuen, før den bliver helt afladet. Ophør med at anvende maskinen, og oplad akkuen, når du bemærker, at strømmen til maskinen aftager.
2. Genoplad aldrig en fuldt opladet akku. Overopladning forkorter akkuens levetid.
3. Oplad akkuen ved stuetemperatur på 10 °C – 40 °C. Lad en varm akku køle ned, før den oplades.
4. Oplad akkuen, hvis den ikke har været brugt i længere tid (mere end seks måneder).

BESKRIVELSE AF DELENE

► Fig. 1:

- | | |
|-------------------------------------|--------------|
| 1. Skueglas | 6. Batteri |
| 2. Oliepåfyldnings-/udsugningshætte | 7. Afbryder |
| 3. Spærreventil for indsugning | 8. LED-lampe |
| 4. Håndtag | 9. Motor |
| 5. Batteriholder | 10. Fod |
| | 11. Olietank |
| | 12. Drænprop |

FUNKTIONSBESKRIVELSE

⚠ FORSIGTIG: Sørg altid for, at der er slukket for pumpen, og at akkuen er fjernet, før der foretages justeringer eller kontrolleres funktioner på pumpen.

Montering eller fjernelse af akkuen

⚠FORSIGTIG: Sluk altid før pumpen før du monterer eller fjerner akkuen.

⚠FORSIGTIG: Hold fast i pumpen og akkuen, når du monterer eller fjerner akkuen. Hvis du ikke holder fast i pumpen og akkuen, kan de falde ud af hænderne på dig og medføre beskadigelse af pumpen og akkuen samt personskaade.

► Fig. 2:

1. Rød indikator
2. Knap
3. Akku

Ved fjernelse af akkuen trækkes den ud af pumpen, mens der trykkes på knappen foran på patronen.

Ved montering af akkuen justeres tungen på akkuen med rillen i huset, hvorefter den skubbes på plads. Sæt den hele vejen ind, indtil den låses på plads med et lille klik. Hvis den røde indikator øverst på knappen er synlig, er den ikke låst helt fast.

⚠FORSIGTIG: Sæt altid akkuen helt ind, indtil den røde indikator ikke er synlig. Ellers kan den falde ud af pumpen ved et uheld og forårsage personskaade på dig eller personer i nærheden.

⚠FORSIGTIG: Undlad at isætte akkuen med magt: Hvis akkuen ikke glider let ind, er den ikke isat korrekt.

Batteribeskyttelsessystem

► Fig. 3:

1. Stjernemærkning

Pumpen er udstyret med et batteribeskyttelsessystem. Systemet afbryder automatisk strømmen til motoren for at forlænge batteriets levetid.

Pumpen stopper automatisk under brugen, hvis pumpen og/eller batteriet udsættes for et af følgende forhold:

Overbelastning:

Pumpen betjenes på en måde, der får den til at trække en unormalt høj strøm.

I denne situation skal du slukke for pumpen og stoppe den anvendelse, som bevirkede, at pumpen blev overbelastet. Tænd derefter for pumpen for at starte igen. Hvis pumpen ikke starter, er batteriet overophedet.

Lad i så fald batteriet køle ned, før der tændes for pumpen igen.

Lav batterispænding:

Den resterende batterikapacitet er for lav, og pumpen kan ikke fungere. I denne situation skal du tage batteriet ud og genoplade det.

BEMÆRK: Beskyttelsen mod overophedning fungerer kun med en akku med stjernemærkning.

Indikation af den resterende batterikapacitet

Kun for akkuer, hvor modelnummeret slutter med "B"

► Fig. 4:

1. Indikatorlamper
2. Kontrolknap

Tryk på kontrolknappen på akkuen for at få vist den resterende batterikapacitet. Indikatorlamperne lyser i nogle sekunder.

Indikatorlamper			Resterende kapacitet
Lyser	Slukket	Blinker	
			75% – 100%
			50% – 75%
			25% – 50%
			0% – 25%
			Oplad batteriet.
			Der er muligvis fejl i batteriet.

BEMÆRK: Afhængigt af brugsforholdene og den omgivende temperatur kan indikationen være en smule anderledes end den faktiske kapacitet.

BETJENING

Pumpen indeholder ikke olie, når den købes. Se under "Tilførsel af olie", og tilføj olie. "

⚠ADVARSEL: Anvendelse af pumpen i en tilstand, hvor der ikke er tilført olie, vil beskadige pumpen. Olietanken vil desuden blive varm og kan forårsage forbrændinger eller andre uheld.

Tilførsel af olie

► Fig. 5:

1. Oliepåfyldnings-/udsugningshætte
2. Niveaulinje
3. Skueglas
4. Olietank

1. Fjern oliepåfyldnings-/udsugningshætten, og tilføj den medfølgende olie via påfyldningsåbningen.

BEMÆRKNING: Anvend altid original olie fra Makita for at opretholde pumpens ydeevne.

2. Tilføj olie, indtil olieniveauet er mellem de øverste og nederste niveaulinjer i skueglasset.

BEMÆRKNING: Olieniveauet er vigtigt. Anvendelse af pumpen i en tilstand, hvor olieniveauet ikke er mellem de øverste og nederste niveaulinjer, kan medføre fejlfunktion.

Kontrol af ydelse

► Fig. 6:

1. Indsugning
 2. Lavsideventil
 3. Vakuumpumpe
 4. Manifold
1. Tilslut lavsideventilen på manifolden og indsugningsåbningen på pumpen med en påfyldningsslange.
 2. Luk lavsideventilen på manifolden.
 3. Åbn spærreventilen for indsugning.
 4. Åbn indløbsventilen.
 5. Tænd for pumpen. Hvis trykket i manifolden angiver et vakuum på -0,09 til -0,1 MPa inden for 30 sekunder, fungerer pumpen korrekt.
 6. Sluk for pumpen.

Betjening

► Fig. 7:

1. Vakuumpumpe
 2. Spærreventil for indsugning
 3. Påfyldningsslange (gul)
 4. Manifold
 5. Lavsideventil
 6. Lavtryksmåler
 7. Højsideventil
 8. Påfyldningsslange (blå)
 9. Serviceport (lavtrykssiden)
 10. Udendørsenhed
1. Forbind pumpen, manifolden og udendørsenheden med slanger.

BEMÆRK: Når størrelsen af serviceporten på enheden er 1/4", skal du bruge den medfølgende adapter til andre diametre.

2. Kontroller at højside- og lavsideventilerne på manifolden er lukket.
3. Monter batteriet i pumpen. (Se "Montering eller fjernelse af akkuen" vedrørende monteringsmetoden.)
4. Tænd for pumpen. LED-lampen (grøn) lyser.
5. Åbn spærreventilen for indsugning på pumpen og lavsideventilen på manifolden.

⚠ ADVARSEL: Pumpen bliver varm under anvendelsen og umiddelbart efter, at den stoppes. Rør ikke ved pumpen, mens den er varm. Dette kan medføre forbrændinger eller andre ulykker.

BEMÆRK: Motoren fungerer muligvis ikke, når det er koldt (5 °C eller mindre). Tag i så fald pumpen indendørs, og lad den blive varm.

6. Når det angivne vakuum (se producentens brugsanvisning til airconditionanlægget) er nået, skal du lukke lavsideventilen på manifolden.
7. Luk spærreventilen for indsugning, og sluk for pumpen.

Lufttæthedstest

Der er ingen lækager, hvis trykket i manifolden ikke stiger i 5 minutter eller mere, hvor du har ladet pumpen og manifolden stå.

BEMÆRK: Når den resterende batterikapacitet bliver lav, slukkes LED-lampen, og samtidig afspilles en lang alarmblyd. Motoren stopper cirka to minutter senere. Derefter skifter alarmbippet til en gentaget blyd med korte intervaller, der giver besked om motorstopet, og 30 sekunder senere stopper blydene. Du bør imidlertid ikke vente, til motoren stopper (eller alarmblyden ændres til blyde med kort interval), men i stedet lukke indløbsventilen på pumpen og ventilen på lavtrykssiden af manifolden.

Kontroller, at der er slukket for pumpen, tag batteriet ud, og oplad det, eller udskift det med et reservebatteri.

- Se følgende tabel vedrørende batteriets driftstider.

Driftstider (vejledende)

Batteri	Driftstider
BL1860B	75 min.
BL1850 / BL1850B	50 min.
BL1840 / BL1840B	40 min.
BL1830 / BL1830B	30 min.

- Når du er færdig med arbejdet, skal du tage batteriet ud og montere det medfølgende dæksel.

BEMÆRKNING: Når pumpen transporteres, betjenes og opbevares, må du aldrig stille den på siden eller med bunden i vejret. Dette kan medføre olie-lækage fra oliepåfyldnings-/udsugningshætten.

Transport og opbevaring

- Tøm altid vakuumpumpen for alle væsker, før den forsendes, for at undgå beskadigelse af beholderen.
- Dæk altid indsugningsåbningen med hætten for at forhindre, at der kommer støv ind i pumpen.
- Sørg for, at pumpen holdes i vandret stilling.
- Pumpen opbevares ved en indendørs omgivende temperatur på 5 °C – 40 °C.

VEDLIGEHOELDELSE

⚠ FORSIGTIG: Sørg altid for, at pumpen er slukket, og at akkuen er taget ud, før du forsøger at udføre inspektion eller vedligeholdelse.

BEMÆRKNING: Brug aldrig benzin, rensebenzin, fortynder, alkohol eller lignende. Dette kan medføre misfarvning, deformation eller revner.

For at holde produktet SIKKERT og PÅLIDELIGT skal reparationer samt al anden vedligeholdelse eller justering udføres af autoriserede Makita-servicecentre eller fabrikksservicecentre, og der skal altid benyttes Makita-reservedele.

Stop pumpen:

For at forlænge pumpens levetid og opnå en blødere start skal disse procedurer følges, når pumpen slukkes.

1. Luk manifoldventilen mellem pumpen og systemet.
2. Fjern slangen fra pumpeåbningen.

Dæk indløbsåbningen for at forhindre forurening eller fremmedlegemer i at komme ind i åbningen.

Kontrol af olien

► Fig. 8:

1. Niveaulinje
 2. Skueglas
- Kontroller altid olieniveauet og oliens tilstand (forringelse osv.), før pumpen anvendes.

BEMÆRK: Tilføj olie, indtil olieniveauet er mellem de øverste og nederste niveaulinjer i skueglasset.

Skift af olien

► Fig. 9:

1. Spærreventil for ind sugning
 2. Drænprop
1. Åbn spærreventilen for ind sugning.
 2. Betjen pumpen i 1 eller 2 minutter for at varme olien op.
 3. Sluk for pumpen.
 4. Fjern drænproppen, og udtøm olien.
 5. Se under "Tilførsel af olie", og tilføj ny olie.
- Bortskaf den gamle olie i overensstemmelse med lokale regulativer.

BEMÆRK: Det anbefales at skifte olie efter 20 timers brug for at beskytte pumpens komponenter mod forurening, der suges ind i pumpen.

Ved sugning fra gamle kølesystemer skal olien skiftes efter hver anvendelse.

Vakuumpumpeolie:

Tilstanden og typen af den anvendte olie i en højtydende vakuumpumpe er af største betydning for det vakuum, der i sidste ende kan opnås. Det anbefales at anvende højtydende vakuumpumpeolie, der er specielt blandet for at holde maksimal viskositet ved normale temperaturer og forbedre starten i koldt vejr.

Rengøring af pumpen

1. Når olien er ekstremt snavset, skal du skifte olien og derefter anvende pumpen i 3 til 5 minutter.
2. Aftøm olien, og tilføj ny olie.
Hvis den aftømte olie stadig er snavset, skal du gentage rengøringsprocessen to eller tre gange.

Fejlfinding

Tilstand	Mulig årsag	Løsning
Pumpen kan ikke startes.	<ol style="list-style-type: none">1. Batteriet er ikke isat korrekt.2. Den omgivende temperatur er for lav.3. Dårlig ledningsforbindelse.4. Pumpen er låst.5. Motorfejl.	<ol style="list-style-type: none">1. Sæt batteriet korrekt i.2. Varm pumpen op inden døre.3. Reparer.4. Reparer.5. Reparer.
Pumpen opnår ikke kraftigt nok vakuum.	<ol style="list-style-type: none">1. Lækage fra systemet.2. Utilstrækkelig olie.3. Snavset olie.4. Pumpens dele er slidt ned.5. Beskadigede armaturer, pakninger og tætninger.6. Motorfejl.	<ol style="list-style-type: none">1. Reparer systemet.2. Påfyld eller skift olie.3. Rengør beholder, og skift olie.4. Reparer.5. Reparer.6. Reparer.
Olielækage.	<ol style="list-style-type: none">1. Beskadigede pakninger og akseltætninger.2. Beskadiget O-ring på oliedrænproppen.3. Oliedrænproppen sidder løst.	<ol style="list-style-type: none">1. Reparer.2. Udskift O-ringen.3. Stram oliedrænproppen.
Unormal støj.	<ol style="list-style-type: none">1. Motorfejl.2. Fejl i leje.3. Løse bolte.4. Pumpefejl.5. Der suges luft.	<ol style="list-style-type: none">1. Reparer.2. Reparer.3. Tilspænd bolte.4. Reparer.5. Tilspænd hætter og tilslutninger. Udskift pakninger og O-ringe. Udskift armaturer, eller tætn dem igen.

Bemærk: Hvis disse procedurer ikke løser problemet, skal du kontakte nærmeste autoriserede Makita-forhandler eller sende pumpen til vores servicecenter.

EKSTRAUDSTYR

⚠️ FORSIGTIG: Dette ekstraudstyr eller tilbehør anbefales til brug med den Makita-maskine, der er beskrevet i denne brugsanvisning. Brug af andet ekstraudstyr eller tilbehør kan medføre risiko for personskade. Brug kun ekstraudstyr eller tilbehør til det formål, det er beregnet til.

Henvend dig til dit lokale Makita-servicecenter, hvis du har brug for hjælp eller yderligere oplysninger vedrørende ekstraudstyret.

- Originale batterier og opladere fra Makita
- Vakuumpumpeolie 150 ml
- Aluminiumskasse til vakuumpumpe
- Vakuumpumpeslange
- Vakuumpumpeventil med måler

BEMÆRK: Nogle elementer på listen er muligvis inkluderet i pakken med maskinen som standardtilbehør. De kan variere fra land til land.

Makita Europe N.V. Jan-Baptist Vinkstraat 2,
3070 Kortenberg, Belgium

Makita Corporation 3-11-8, Sumiyoshi-cho,
Anjo, Aichi 446-8502 Japan

www.makita.com

DVP180-8L-1606
EN, FR, DE, IT, NL,
ES, PT, DA
20150824