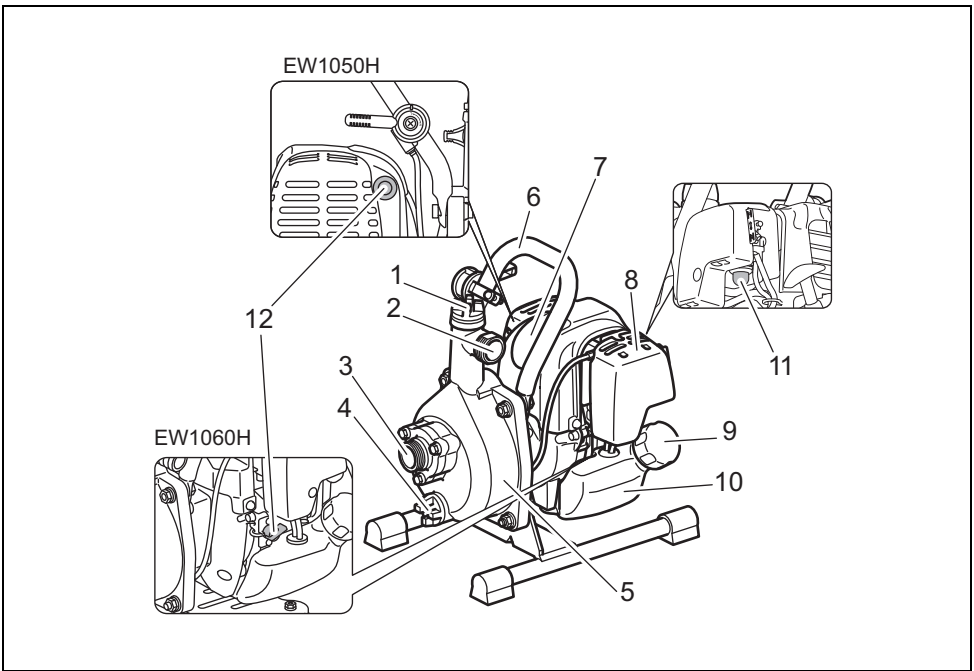




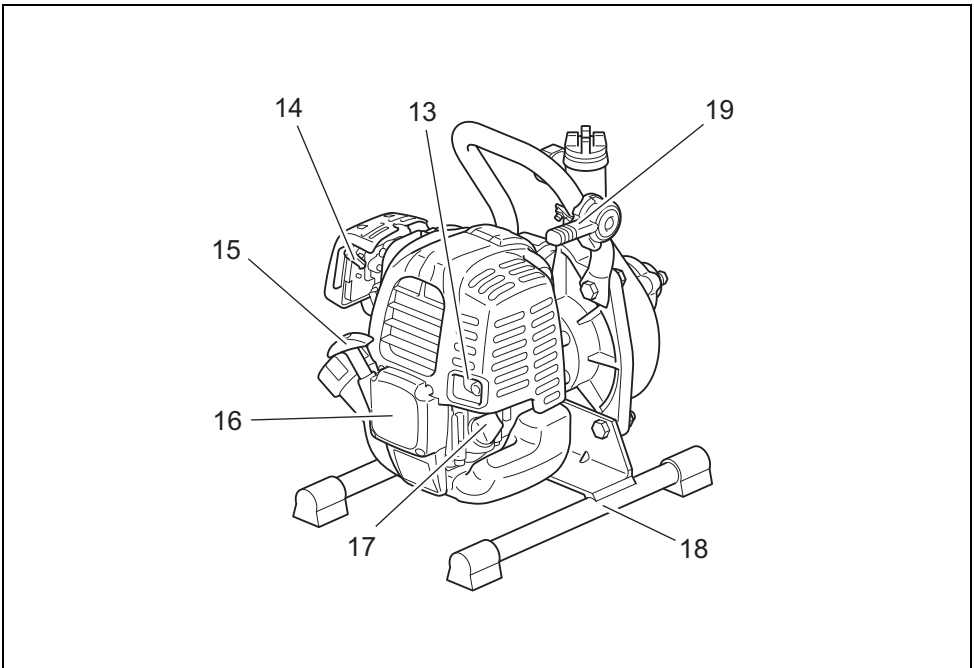
EW1050H
EW1060H

GB	Engine Pump	Instruction Manual
F	Pompe à Eaux Claires	Manuel d'instructions
D	Benzinmotorpumpe	Betriebsanleitung
I	Pompa motore	Istruzioni per l'uso
NL	Motorpomp	Gebruiksaanwijzing
E	Bomba de Motor a Gasolina	Manual de instrucciones
P	Motobomba	Manual de instruções
DK	Motorpumpe	Brugsanvisning
GR	Αντλία κινητήρα	Οδηγίες χρήσεως
TR	Motorlu Pompa	Kullanma kılavuzu
UA	Мотопомпа	Інструкція з експлуатації
PL	Spalinowa Pompa Wodna	Instrukcja obsługi
RO	Motorpompă	Manual de instrucțiuni
HU	Benzinmotoros szivattyú	Használati útmutató
SK	Motorové čerpadlo	Návod na obsluhu
CZ	Motorové čerpadlo	Návod k obsluze
S	Motorpump	Bruksanvisning
N	Motorpumpe	Bruksanvisning
FIN	Moottoripumppu	Käyttöohje
LV	Dzinēja sūkņis	Lietošanas rokasgrāmata
LT	Variklio siurblys	Naudojimo instrukcija
EE	Mootorpump	Kasutusjuhend
RUS	Мотопомпа	Инструкция по эксплуатации

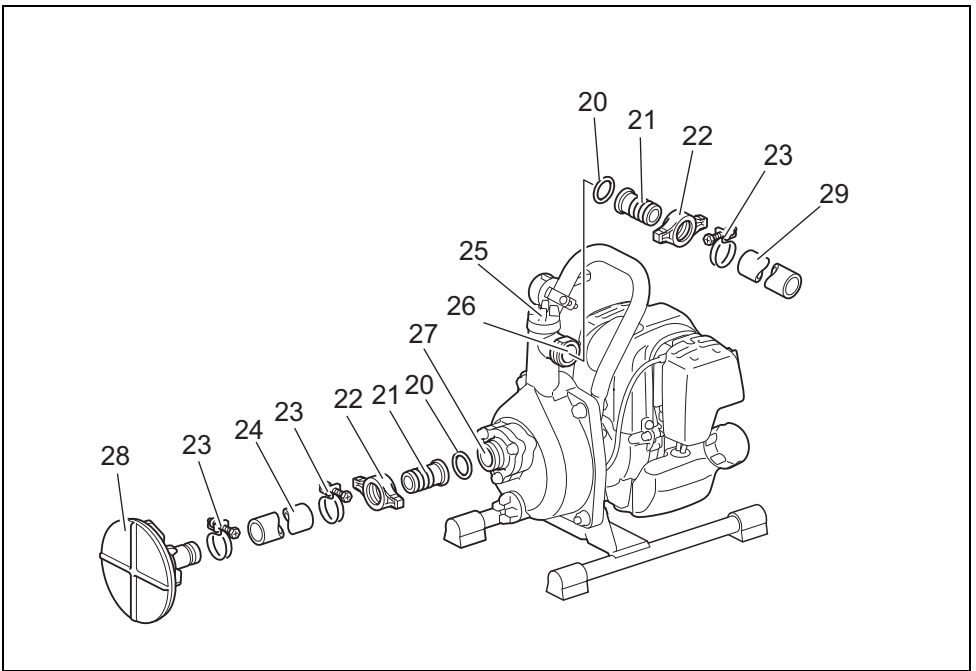




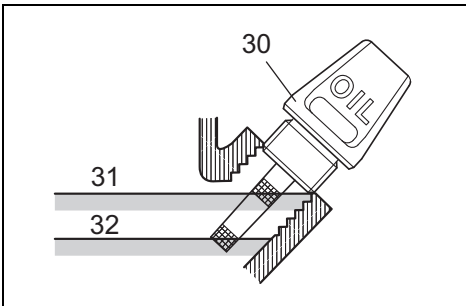
1



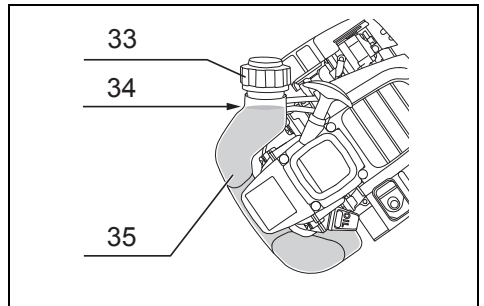
2



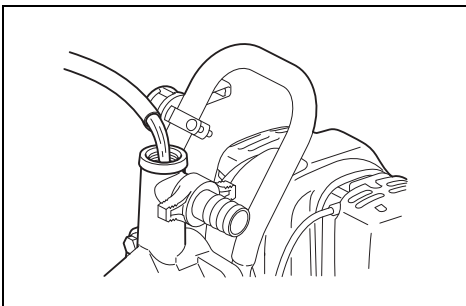
3



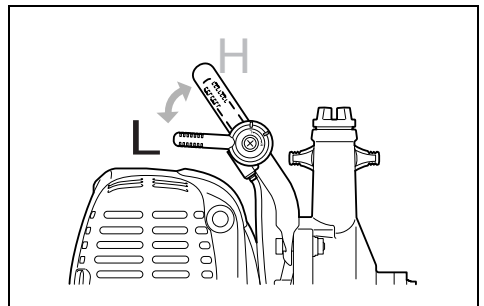
4



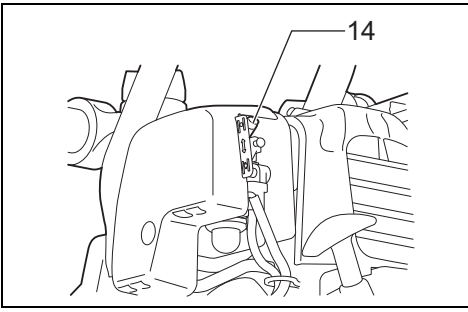
5



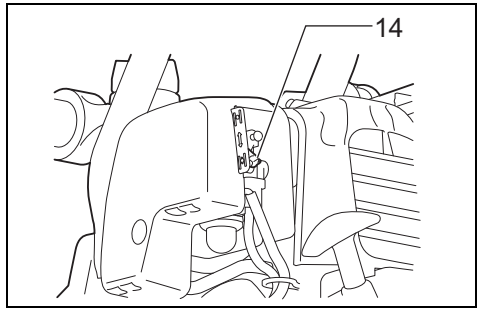
6



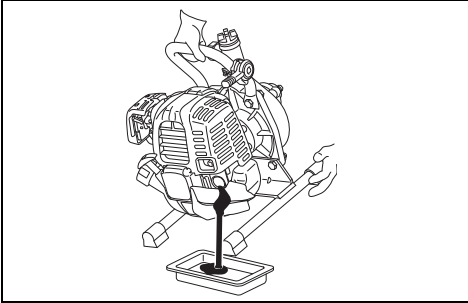
7



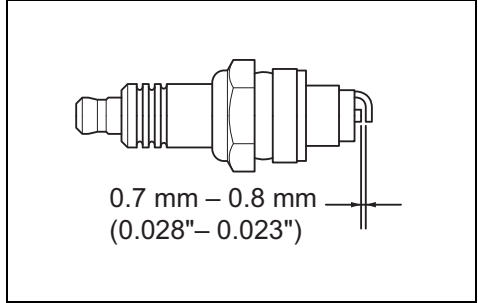
8



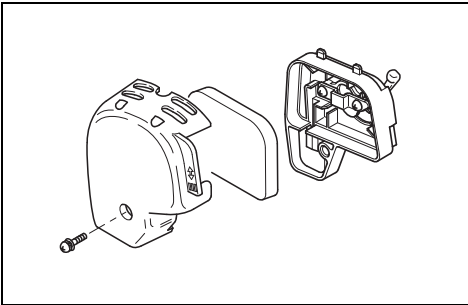
9



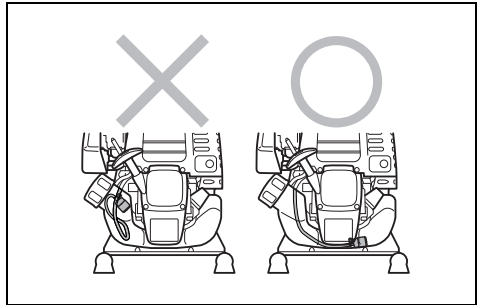
10



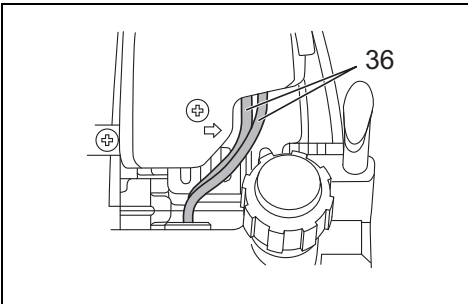
11



12



13



14

Explanation of general view

1 Plug (priming)	13 Muffler	25 Plug (priming)
2 Delivery	14 Choke lever	26 Delivery
3 Suction	15 Starter knob	27 Suction
4 Plug (drain)	16 Recoil starter	28 Strainer
5 Pump case	17 Oil gauge	29 Hose (optional accessory)
6 Handle	18 Set base	30 Oil gauge
7 Spark plug cover	19 Throttle lever	31 Upper level
8 Air cleaner	20 Packing	32 Lower level
9 Tank cap	21 Hose coupling	33 Fuel tank cap
10 Fuel tank	22 Thumb nut	34 Upper level
11 Primer pump	23 Hose band	35 Fuel tank
12 I-O (On/Off) switch	24 Hose	36 Fuel pipe

Thank you very much for purchasing the MAKITA Engine Pump. We are pleased to recommend to you the MAKITA Engine pump which is the result of a long development program and many years of knowledge and experience.

Please read this booklet which refers in detail to the various points that will demonstrate its outstanding performance. This will assist you to obtain the best possible result from your MAKITA engine pump.

SYMBOLS

You will note the following symbols when reading the instructions manual.



Read instruction manual and follow the warnings and safety precautions.



Take particular care and attention.



Never use the engine indoors.



Do not touch the engine when it is hot.



No open flame!



Check the oil level before starting.



CE mark

⚠ WARNING:
 • PLEASE READ AND UNDERSTAND THIS MANUAL COMPLETELY BEFORE OPERATING THE MACHINE.

The following **⚠** markings represent important safety information. Always observe those instructions. Incorrect usage of the equipment may result in serious accidents.

⚠ DANGER: Failure to observe instructions may result in death or serious injury.

⚠ WARNING: Failure to follow WARNING instructions may result in serious injury or death to the machine operator, a bystander, or a person inspecting or repairing the machine.

⚠ CAUTION: A CAUTION indicates special precautions that must be taken to avoid personal injury and damage to the machine.

NOTE: A NOTE provides key information to make procedures easier or clearer.

SAFETY INSTRUCTIONS

- This instruction manual explains general usage and precautions for the equipment. Read this instruction manual carefully before putting the equipment into operation. And strictly observe the safety regulations.
- Save this instruction manual in a safe place for future reference. In case this instruction manual is lost or damaged, ask Makita authorized service center for replacement immediately.
- When you lend or give the equipment to other people, always hand over the instruction manual and other informative materials with the equipment.
- Due to our continuing program of research and development, the product specifications are subject to change without notice. Illustrations or contents in this manual may differ from the actual product.
- If you need any assistance for more details, ask your local dealer or authorized Makita Service Center.

Intended use of the machine

This equipment is only intended for watering and irrigating water.
 This equipment is used to pump only clear water.

- ⚠ DANGER:**
- Do not make modifications or alterations to the equipment.
 - Do not use the equipment for other than intended use.
 - Use only genuine, approved replacement parts for maintenance and repair.
 - Failure to follow above warnings may cause serious damage to the equipment or personal injury.

EXHAUST PRECAUTIONS

- Never inhale exhausts gasses. They contain carbon monoxide, a colorless, odorless and extremely dangerous gas which can cause unconsciousness or death.
- Never operate the engine indoors or in a poorly ventilated area, such as tunnel, cave, etc.
- Exercise extreme care when operating the engine near people or animals.
- Keep the exhaust pipe free of foreign objects.

REFUELING PRECAUTIONS

- Be sure to stop the engine prior to refueling.
- Do not overfill the fuel tank.
- If fuel is spilt, wipe it away carefully and wait until the fuel has dried before starting the engine.
- After refueling, make sure that the fuel cap is secured to prevent spillage.

FIRE PREVENTION

- Do not operate the equipment while smoking or near an open flame.
- Do not use the equipment around dry bush, twigs, cloth rags, or other flammable materials.
- Keep the engine at least 1 meter away from buildings or other structures.
- Keep the engine away from flammables and other hazardous materials (trash, rags, lubricants, explosives).

For European countries only

EC Declaration of Conformity

We Makita Corporation as the responsible manufacturer declare that the following Makita machine(s):

Designation of Machine: Engine Pump
Model No./ Type: EW1050H, EW1060H
Specifications: see "TECHNICAL DATA" table

are of series production and

Conforms to the following European Directives:

2000/14/EC, 2006/42/EC, 2010/26/EU,
2004/108/EC, 2000/14/EC, 2005/88/EC

And are manufactured in accordance with the following standards or standardized documents:

EN 809, EN 55012

The technical documentation is kept by:

Makita International Europe Ltd., Technical Department,
Michigan Drive, Tongwell, Milton Keynes, Bucks
MK15 8JD, England

The conformity assessment procedure required by Directive 2000/14/EC was in Accordance with annex V.

Measured Sound Power Level: 100.9 dB(A)

Guaranteed Sound Power Level: 109 dB(A)

31.8.2012



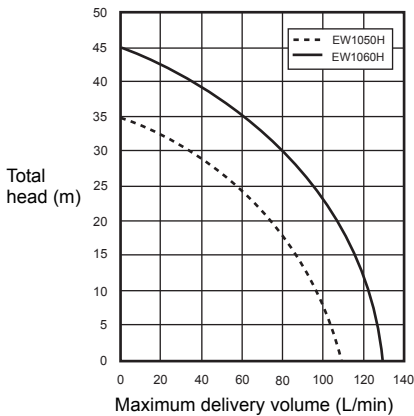
Tomoyasu Kato
Director

Makita Corporation
3-11-8, Sumiyoshi-cho,
Anjo, Aichi, JAPAN

TECHNICAL DATA

		EW1050H	EW1060H	
Weight	kg	5.8	7.3	
Dimension	mm	327 x 231 x 319	356 x 234 x 336	
Type		Self-priming CENTRIFUGAL PUMP		
Diameters (suction-discharge)	inch	1		
Total head	m	35	45	
Maximum delivery volume	L/min	110	130	
Maximum suction lift	m	8	8	
Volume (fuel tank)	L	0.5	0.65	
Volume (oil tank)	L	0.08	0.1	
Engine displacement	cm ³	24.5	33.5	
Maximum engine performance	kW	0.71 at 7,000 min ⁻¹	1.07 at 7,000 min ⁻¹	
Carburetor	type	Diaphragm		
Ignition system	type	Solid state ignition		
Spark plug	type	NGK CMR6A		
Electrode gap	mm	0.7 – 0.8		
Fuel		Automobile gasoline		
Engine Oil		SAE 10W-30 oil of API Classification, Class SF or higher (4-stroke engine for automobile)		
Applicable water temperature	°C	5 – 40	5 – 40	
Sound pressure level	L _{pA, eq}	dB (A)	88.4	88.4
	Uncertainty K	dB (A)	3	3
Sound power level	L _{WA, d}	dB (A)	109	109

Note: Wear ear protection during operation.



DESIGNATION OF PARTS (Fig. 1 & 2)

ASSEMBLY (Fig. 3)

⚠ WARNING:

- Before doing any work on the equipment, always stop the engine.
- Start the engine only after having assembled the equipment completely.

HOSE INSTALLATION

1. Install the hose joints on the pump.

⚠ CAUTION:

- When installing the joint to the pump, be sure the packing is in place.
2. Connect the hoses on the joints with band. Check the hose band is securely tightened.
 3. Connect the strainer on the inlet hose end.

NOTE:

- If air leaks, water could not be drawn up.

CAUTION:

- Do not remove strainer or pump damage may occur by foreign material.
Check the hose band is securely tightened.

PRE-OPERATION CHECKS

WARNING:

- Before doing any work on the equipment, always stop the engine. And always carry on work on flat and stable surface.
- Check the equipment for loose screw or loose connection parts before starting engine.
- Avoid touching the engine and muffler with any part of your body or clothing during inspection or repair, while they are still hot.
- Take special care of ventilation. Beware of CO poisoning.

INSPECTION AND REFILL OF ENGINE OIL (Fig. 4)

Perform the following procedure, with the engine cooled down.

- Assure that the engine is on horizontal position.
- Do not thread the oil gauge into oil filler to check oil level.
- Check if the oil level is between the lower or upper limit on the oil gauge.
- If the oil level is below the lower limit, add oil.
- You may need to refill oil approximately every 10 operating hours (every 10 refueling).
- If the oil changes in color or mixes with dirt, replace it with new one.

Recommended oil: SAE 10W-30 oil of API Classification, Class SF or higher (4-stroke engine for automobile)

Oil volume:

For model EW1050H: Approx. 0.08L
For model EW1060H: Approx. 0.1L

NOTE:

- If the engine is not positioned horizontal, an inaccurate indication of oil level may occur and oil may be over-filled. Filling oil above the upper limit may cause oil contamination or white smoke.

Refilling engine oil

1. Keep the engine in horizontal position, and detach the oil gauge.
2. Fill with oil to upper limit mark. Use oil bottle when filling.
3. Securely tighten the oil gauge. Insufficient tightening may cause oil leakage.

After refilling oil

- Wipe any spilled oil with a rag immediately.

Replacement of oil: Oil gauge

- Remove dust or dirt near the oil refill port.
- Keep the detached oil gauge free from sand or dust. Otherwise, any sand or dust adhering to the oil cap may result in problems with irregular oil circulation or wear on the engine parts.

FUEL

WARNING:

- Fuel is highly flammable and poisonous. Keep away from open flames (cigarette, stove, fireworks), electric spark (battery, short circuit, spark from shorted switch, welding spark etc.) when handling the fuel.
- Be sure to stop the engine before refueling. Do not refuel when the engine is still hot.
- Other than the occasion of refueling, even when decanting fuel to small container, always pay ample attention.
- After refueling, securely tighten the fuel tank cap, and wipe out spilled fuel completely.

Handling of fuel

It is necessary to handle fuel with utmost care. Fuel may contain substances similar to solvents. Refueling must be performed in a sufficiently ventilated room or in the open air. Never inhale fuel vapor, and keep fuel away from you. If you touch fuel repeatedly or for a long time, the skin becomes dry, which may cause skin disease or allergy. If fuel enters into the eye, clean the eye with fresh water. If your eye remains still irritated, consult your doctor.

Storage period of fuel

Fuel should be used within a period of 4 weeks, even if it is kept in a special container in a well-ventilated and shaded area.

Otherwise, fuel may deteriorate in one day.

Storage of machine and refill tank

- Keep the machine and tank at a cool place free from direct sunlight.
- Never keep the fuel in a car.

Type of fuel:

The engine is a four-stroke engine. Be sure to use an unleaded automobile gasoline 87 or higher octane ((R+M)/2). It may contain no more than 10% alcohol (E-10).

- Never use a gasoline mixture which contains engine oil. Otherwise, it will cause excessive carbon accumulation or mechanical troubles.

Fuel tank capacity:

For model EW1050H: 0.5L
For model EW1060H: 0.65L

Refueling (Fig. 5)

1. Keep the engine in horizontal position.
2. Loosen the fuel tank cap a little to release the tank pressure.
3. Detach the fuel tank cap, and refuel. DO NOT fill fuel up to the top of the tank.
4. After refueling, securely tighten the fuel tank cap.
 - Wipe the outside of the fuel tank cap to prevent debris from entering into the fuel tank.
 - If there is any flaw or damage on the fuel tank cap, replace it.
 - The fuel tank cap wears out in course of time. Replace it every two to three years.
 - DO NOT put fuel in the oil fill port.

Priming water (Fig. 6)

CAUTION:

- Do not start the pump without water in the pump case. Otherwise mechanical seal could be damaged.

Remove priming plug and add clear water until pump case is filled up with water. After filling tighten the priming plug.

NOTE:

- If the water intake is not sufficient, self-priming capacity becomes lower.
- Be sure the pump is placed on the firm place and as near to available water source as possible.
- The higher the suction head is the more time will be required for priming with a less discharge.

CHECKING ENGINE:

- Carefully check fuel hoses and joints for looseness and fuel leakage. Leaked fuel creates a potentially dangerous situation.
- Check bolts and nuts for looseness. If any, retighten them. A loose bolt or nut may cause serious engine trouble.
- Check the engine oil and refill if necessary.
- Check the fuel level and refill if necessary. Take care not to overfill the tank.
- Keep cylinder fins and recoil starter free of dirt, grass and other debris.
- Wear snug fitting working clothes when operating the engine.

OPERATION

WARNING:

- Never touch a hot engine muffler especially when restarting the engine. The engine muffler becomes hot after running the engine.
- Do not put your hands or foreign objects in the release valves when the pump is in use.

WARNING:

Beware of water-hammering

- Do not allow the wheel of a vehicle to run over the delivery hose. Do not close the delivery valve abruptly, because a water-hammer will occur which may result in heavy damage to the pump.

Starting:

CAUTION:

- Because the lubricating oil has not yet spread enough, do not rev up the engine just after engine starts. Unnecessary high-revolution shortens life of the equipment or cause damage.

1. Check that the pump case is filled with water.
2. Check that the strainer is set under the water.

CAUTION:

- Employ some preventive method when the bottom of the water is covered with mud or sand.
3. Check there is no obstacle on the mouth of delivery hose.
 4. Turn the engine I-O (ON/OFF) switch to the "I" (ON) position.
 5. Check that the throttle lever indicates "L". (Fig. 7)
 6. Continue to push the primer pump until fuel comes into the primer pump. (In general, 7 to 10 pushes.)

7. Adjust the choke lever.

- If the engine is cold or the ambient temperature is low, close the choke lever fully. (Fig. 8)
 - If the engine is warm or the ambient temperature is high, open the choke lever half-way, or keep it fully open.
8. Pull the starter knob gently until a certain resistance is felt. Then, return the starter knob, and pull it strongly. Never pull the rope to the full extension. Once the starter knob is pulled, never release your hand immediately. Hold the starter knob until it returns to its original point.
If it is difficult to start the engine, open the throttle by about 1/3.
 9. Once engine starts, set choke lever to the OPEN position if you have closed the choke lever. (Fig. 9)
 10. Allow the engine to properly "warm up". Continue warm-up operation for 2 to 3 minutes at "L" position.

Running engine:

Turn the throttle lever to middle position, and check water come out from the delivery hose.

Finishing operation

Stopping engine

Turn the throttle lever to "L" position to set the engine at the lowest revolution.

Turn the engine I-O (ON/OFF) switch to the "O" (OFF) position.

Drain of water after use

Water inside the pump case freezes at below 0°C in winter and pump may possibly break. After use, drain water from the drain at bottom to store.

SERVICING INSTRUCTIONS

WARNING:

- Before doing any work on the equipment, always stop the engine. Do not perform any work when the engine is still hot.

CAUTION:

- Do not wash the engine with water during servicing.

ENGINE OIL CHANGE

WARNING:

- The engine and engine oil is still hot just after stopping engine. Allow sufficient time for the engine and engine oil to cool down. Otherwise a skin burn may result.

CAUTION:

- Before changing oil, check for a suitable way to dispose of old oil. Do not pour it down into sewage drains, onto garden soil or into open streams. Your local zoning or environmental regulations will give you more detailed instructions on proper disposal. Deteriorated engine oil shortens the life of the engine. Be sure to check the oil and level regularly.

NOTE:

- If the oil filled above the limit, it may be contaminated or may catch fire with white smoke. Allow sufficient time after stopping engine for the engine oil to return to the oil tank to ensure accurate reading of the oil level.

Interval of replacement: After first 20 operating hours, followed by every 50 operating hours.

Recommended oil: SAE 10W-30 oil of API Classification SF Class or higher (4-stroke engine oil for automobile)

Oil volume:

For model EW1050H: Approx. 0.08L

For model EW1060H: Approx. 0.1L

1. Remove the oil gauge. (Fig. 10)

Be cautious to place the oil gauge in a place where it will not gather dirt, dust or other foreign matter.

2. Place a cloth or paper towel to the area around the oil filler hole.

3. Remove the oil gauge, then tilt the engine and drain the oil into a pan or other receptacle.

4. Put the equipment on a level surface. Pour the oil in from a squeeze bottle or other appropriate. Fill with the oil up to the point of overflowing the filler neck. (Fig. 4)

5. After filling the engine with oil, reinsert the oil gauge. Ensure that the oil gauge is tight, as if it loosens later oil will leak out.

CHECKING THE SPARK PLUG (Fig. 11)

⚠ CAUTION:

- Never touch the spark plug connector while the engine is running (danger of high voltage electric shock).

Interval of Cleaning and Inspection: Daily (every 10 operating hours)

- Only use the supplied universal wrench to remove or to install the spark plug.
- The gap between the two electrodes of the spark plug should be 0.7 – 0.8 mm.

If the gap is too wide or too narrow, adjust it. If the spark plug is clogged or contaminated, clean it thoroughly or replace it.

CLEANING OF AIR CLEANER (Fig. 12)

⚠ WARNING:

- Shut off the engine. Keep away from open flames. Dirty air cleaner element causes starting difficulty, power loss, engine malfunctions, and shortens engine life extremely. Keep the air cleaner element clean.

Interval of Cleaning and Inspection: Daily (every 10 operating hours)

1. Place the choke lever to the fully closed position so that dust and dirt are not allowed to enter the carburetor.
2. Remove the fixing bolt of air cleaner cover.
3. Pull out the lower edge of the cover to remove the air cleaner cover.
4. Remove the element, and then clean it with a solution of warm water and a mild detergent, thoroughly drying it afterward.
5. Install it in alignment with the lines as shown in illustration.
6. Wipe off any oil adhering to the area around the air cleaner cover and breather with a cloth.
7. After cleaning, reassemble the cleaner cover (insert the tab at the top first, then insert the bottom tab) and tighten the fixing bolt.

CLEANING OF FUEL FILTER

⚠ WARNING:

- Shut off the engine. Keep away from open flames. Do not smoke.

Interval of Cleaning and Inspection: Monthly (every 50 operating hours)

The fuel filter is used to filter the fuel required by the carburetor. A periodical visual inspection of the fuel filter is to be conducted.

1. Open the fuel tank cap, use a wire hook and pull out the suction head through the tank opening.
2. Remove the hose clamp and pull out the fuel filter from fuel pipe.
3. Wash the fuel filter with kerosene.
4. After washing, reassemble it.
5. If the filter is hard or clogged up, replace it with new one.

Replace the fuel filter at least quarterly to ensure an enough fuel supply to the carburetor. Otherwise an insufficient fuel supply may cause the engine start failure and limited maximum speed.

After checking, cleaning or replacing, fix the fuel filter onto the fuel pipe with the hose clamp.

Push the fuel filter in all the way to the bottom of the fuel tank. (Fig. 13)

REPLACEMENT OF FUEL PIPE (Fig. 14)

⚠ WARNING:

- Shut off the engine. Keep away from open flames.

Interval of Cleaning and Inspection: Daily (every 10 operating hours)

Replacement: Annually (every 200 operating hours)

Replace the fuel pipe every year, regardless of operating frequency. Fuel leakage may lead to fire.

If any leakage is detected during inspection, replace the fuel pipe immediately.

INSPECTION OF BOLTS, NUTS AND SCREWS

- Retighten loose bolts, nuts, etc.
- Check the fuel cap and oil cap for tightness. Check for fuel and oil leakage.
- Replace damaged parts with new ones for safety operation.

CLEANING OF PARTS

- Always keep the engine clean by wiping down with a cloth rag.
- Keep the cylinder fins free of dust or dirt. Dust or dirt adhering to the fins may cause piston seizure.

Periodic maintenance schedule table

Operating time Item		Before operation	Daily (10h)	50h	200h	Before storage
Engine oil	Inspect/refill	○				
	Replace			○*1		
Tightening parts (bolt, nut)	Inspect	○				
Fuel tank	Clean/inspect	○				
	Drain fuel					○
Throttle lever	Check function	○				
I-O(ON/OFF) switch	Check function	○				
Air cleaner	Clean		○			
Spark plug	Inspect		○			
	Clean/Adjust				○	
Cooling air passage and cylinder fins	Clean/inspect		○			
Fuel pipe	Inspect		○			
	Replace				◎*2	
Fuel filter	Clean/replace			○		
Valve clearance (intake valve and exhaust valve)	Inspect/adjust				◎*2	
Engine overhaul if necessary					◎*2	
Carburetor	Drain fuel					○
Pump set	Clean		○			
Strainer	Inspect/Clean	○				

*1 Perform initial replacement after 20h operation.

Before changing oil, check for a suitable way to dispose of old oil. Do not pour it down into sewage drains, onto garden soil or onto open streams. Your local zoning or environmental regulations will give you more detailed instructions on proper disposal.

*2 For the 200 operating hours inspection, request authorized service center.

STORAGE

⚠ WARNING:

- When draining the fuel, be sure to stop the engine and confirm that the engine cools down. Just after stopping the engine, it may still hot with possibility of burns, inflammability and fire.

⚠ CAUTION:

- When the equipment is kept out of operation for a long time, drain all fuel from the fuel tank, and keep it at a dry and clean place.

Before storage

- Completely remove any water from the drain port.
- Pull gently the recoil starter handle on the engine until resistance is felt.

- After removing fuel from the fuel tank, push the primer pump until fuel in the gas pipe runs out. Remove the fuel from the pump once more.
- Set the throttle lever in the "L" position.
- Wipe away any dirt or dust.
- Store the pump in a dry, warm location where there is no chance of freezing.

Transporting

When lifting and transporting the machine, hold the handle firmly with both hands.

TROUBLESHOOTING

Before making a request for repairs, check for trouble by yourself. If any abnormality is found, control your machine according to the description of this manual. Never tamper or dismount any part contrary to the description. For repairs, contact authorized service center.

Trouble	Cause	Remedy
Engine does not start	Failure to operate primer pump.	Push 7 to 10 times.
	Low pulling speed of starter rope.	Pull strongly.
	Lack of fuel.	Feed fuel.
	Clogged fuel filter.	Clean it.
	Disconnected fuel tube.	Connect fuel tube properly.
	Bent fuel tube.	Straighten fuel tube.
	Deteriorated fuel.	Deteriorated fuel makes starting more difficult. Replace with new fuel. (Recommended replacement: 1 month).
	Excessive suction of fuel.	Set throttle lever to medium or "H" position, and pull starter handle until engine starts. If engine still does not start, remove spark plug, dry the electrode, and reassemble them as they originally were. Then, start as specified.
	Detached plug cap.	Attach securely.
	Contaminated spark plug.	Clean it.
	Abnormal clearance of spark plug.	Adjust clearance.
	Other abnormality of spark plug.	Replace it.
	Abnormal carburetor.	Make request for inspection and maintenance.
	Starter rope cannot be pulled.	Make request for inspection and maintenance.
Abnormal drive system.	Make request for inspection and maintenance.	
Engine stops soon Engine speed does not increase	Insufficient warm-up.	Perform warm-up operation.
	Choke lever is set to "CLOSE" although engine is warmed up.	Set to "OPEN".
	Clogged fuel filter.	Clean it.
	Contaminated or clogged air cleaner.	Clean it.
	Abnormal carburetor.	Make request for inspection and maintenance.
	Abnormal drive system.	Make request for inspection and maintenance.
Pump does not work.	Sticking of impeller.	Ask your local Makita authorized service center to repair it.

Pumping volume is small.	Air enters suction side.	Check piping at suction side.
	Drop of engine output.	Ask your local Makita authorized service center to repair it.
	Breakage of mechanical seal.	Replace packing.
	High suction lift.	Lower the suction lift.
	Thin or long or kink of hose.	Thicken or shorten or straighten.
	Leak of water from water passage.	Stop leak.
	Clogging of foreign substance in impeller.	Ask your local Makita authorized service center to repair it.
	Wear of impeller.	Ask your local Makita authorized service center to repair it.
Pump does not self-prime.	Suction of air at suction side.	Check piping at suction side.
	Insufficient priming water inside pump case.	Prime fully.
	Imperfect tightening of drain cock.	Tighten the 2 plugs completely.
	Imperfect revolution of engine.	Ask your local Makita authorized service center to repair it.
	Entrance of air from mechanical seal.	Replace packing.

Descriptif

1 Bouchon (amorçage)	13 Silencieux	26 Distribution
2 Distribution	14 Levier d'étrangleur	27 Aspiration
3 Aspiration	15 Poignée de démarrage	28 Crépine
4 Bouchon (vidange)	16 Lanceur à rappel	29 Tuyau (accessoire en option)
5 Carter de pompe	17 Jauge d'huile	30 Jauge d'huile
6 Poignée	18 Support	31 Niveau supérieur
7 Cache de bougie	19 Levier de puissance	32 Niveau inférieur
8 Épurateur d'air	20 Garniture d'étanchéité	33 Bouchon du réservoir de carburant
9 Bouchon de réservoir	21 Raccord de tuyau	34 Niveau supérieur
10 Réservoir de carburant	22 Écrou à ailettes	35 Réservoir de carburant
11 Pompe d'amorçage	23 Collier de serrage du tuyau	36 Conduite de carburant
12 Commutateur I-O (Marche/Arrêt)	24 Tuyau	
	25 Bouchon (amorçage)	

Merci d'avoir fait l'achat de cette Pompe à Eaux Claires MAKITA. Nous sommes heureux de vous recommander la Pompe à Eaux Claires MAKITA, fruit d'un long programme de développement et de nombreuses années d'études et d'expériences.

Veillez lire le présent manuel, qui présente en détails les divers aspects qui vous convaincront du rendement exceptionnel de cet appareil. Cela vous aidera à obtenir des résultats optimaux avec votre Pompe à Eaux Claires MAKITA.

SYMBOLES

En lisant ce manuel d'instructions, vous rencontrerez les symboles suivants.



Veillez lire les instructions du manuel et respecter les avertissements et consignes de sécurité.



Soyez très prudent et attentif.



Ne faites jamais tourner le moteur à l'intérieur.



Ne touchez pas le moteur alors qu'il est chaud.



Pas de flammes nues !



Avant le démarrage, vérifiez le niveau d'huile.



Marque CE

⚠ AVERTISSEMENT :

- AVANT D'UTILISER CETTE MACHINE, VOUS DEVEZ AVOIR LU ET COMPRIS L'ENSEMBLE DU PRÉSENT MANUEL.

Les symboles ⚠ suivants indiquent d'importantes consignes de sécurité. Respectez toujours ces instructions. L'utilisation incorrecte de l'équipement peut entraîner de graves accidents.

⚠ DANGER : L'ignorance des instructions peut entraîner le décès ou une blessure grave.

⚠ AVERTISSEMENT : L'ignorance des instructions d'AVERTISSEMENT peut entraîner une grave blessure ou le décès de l'utilisateur, d'une personne présente ou de la personne qui inspecte ou répare la machine.

⚠ ATTENTION : La mention ATTENTION indique des précautions spéciales à prendre pour éviter une lésion corporelle ou des dommages à la machine.

NOTE : La mention NOTE indique des informations clés qui facilitent ou éclairent les procédures.

INSTRUCTIONS DE SÉCURITÉ

- Ce manuel d'instructions explique l'utilisation générale et les précautions à prendre avec l'équipement. Veuillez lire attentivement ce manuel d'instructions avant de mettre l'équipement en service. Respectez aussi rigoureusement les règlements de sécurité.
- Conservez ce manuel d'instructions dans un emplacement sûr pour consultation ultérieure. Si vous perdez ou abîmez ce manuel d'instructions, demandez immédiatement à un centre de service après-vente agréé Makita de le remplacer.
- Si vous prêtez ou donnez l'équipement à quelqu'un, n'oubliez pas de lui remettre aussi le manuel d'instructions et toute autre documentation qui accompagne l'équipement.
- Étant donné l'évolution constante de notre programme de recherche et de développement, les spécifications du produit sont sujettes à modification sans préavis. Les illustrations et le contenu du présent manuel peuvent être différents du véritable produit.
- Pour plus de détails ou pour obtenir de l'aide, informez-vous auprès de votre revendeur ou du centre de service après-vente agréé Makita le plus près.

Usage pour lequel la machine a été conçue

Cet équipement est conçu exclusivement pour l'arrosage et l'irrigation avec de l'eau.

Cet équipement est conçu uniquement pour pomper de l'eau claire.

DANGER :

- N'apportez pas de modifications ou retouches à l'équipement.
- N'utilisez pas l'équipement à d'autres fins que celles pour lesquelles il a été conçu.
- Pour l'entretien et la réparation, utilisez uniquement des pièces de rechange authentiques et approuvées.
- L'ignorance des avertissements ci-dessus peut entraîner de graves dommages sur l'équipement, ou des lésions corporelles.

PRÉCAUTIONS RELATIVES AUX GAZ D'ÉCHAPPEMENT

- N'inspirez jamais les gaz d'échappement. Ils contiennent du monoxyde de carbone, un gaz incolore, inodore et extrêmement dangereux qui peut entraîner un évanouissement ou le décès.
- Ne faites jamais tourner le moteur à l'intérieur ou dans un emplacement mal ventilé, tel qu'un tunnel, une grotte, etc.
- Soyez très prudent lorsque vous faites tourner le moteur à proximité de personnes ou d'animaux.
- Gardez le tuyau d'échappement exempt de corps étrangers.

PRÉCAUTIONS À PRENDRE AVANT DE FAIRE LE PLEIN

- Avant de faire le plein, pensez à arrêter le moteur.
- Ne remplissez pas trop le réservoir de carburant.
- Si vous renversez du carburant, essuyez-le soigneusement et attendez que la surface soit complètement sèche avant de démarrer le moteur.
- Après avoir fait le plein, assurez-vous de bien fermer le bouchon du réservoir de carburant, pour éviter tout déversement.

PRÉVENTION DES INCENDIES

- N'utilisez pas l'équipement en fumant ou près d'une flamme nue.
- N'utilisez pas l'équipement près de buissons secs, brindilles, chiffons ou autres matériaux inflammables.
- Gardez le moteur à au moins 1 mètre des édifices et autres structures.
- Gardez le moteur à l'écart des matériaux inflammables et autres matériaux dangereux (déchets, chiffons, lubrifiants, explosifs).

Pour les pays d'Europe uniquement

Déclaration de conformité CE

Makita Corporation, en tant que fabricant responsable, déclare que la ou les machines suivantes :

Désignation de la machine : Pompe à Eaux Claires
No de modèle / Type : EW1050H, EW1060H
Spécifications : voir le tableau "DONNÉES TECHNIQUES"

sont produites en série et

sont conformes aux directives européennes suivantes :

2000/14/EC, 2006/42/EC, 2010/26/EU,
2004/108/EC, 2000/14/EC, 2005/88/EC

et qu'elles sont fabriquées conformément aux normes ou documents normalisés suivants :

EN 809, EN 55012

La documentation technique est conservée par :

Makita International Europe Ltd., Service technique,
Michigan Drive, Tongwell, Milton Keynes, Bucks
MK15 8JD, Angleterre

La procédure de déclaration de conformité requise par la Directive 2000/14/CE était conforme à l'annexe V.

Niveau de puissance sonore mesuré : 100,9 dB(A)

Niveau de puissance sonore garanti : 109 dB(A)

31.8.2012



Tomoyasu Kato
Directeur
Makita Corporation
3-11-8, Sumiyoshi-cho,
Anjo, Aichi, JAPAN

DONNÉES TECHNIQUES

		EW1050H	EW1060H	
Poids	kg	5,8	7,3	
Dimensions	mm	327 x 231 x 319	356 x 234 x 336	
Type		POMPE CENTRIFUGE à autoamorçage		
Diamètres (aspiration-évacuation)	pouce	1		
Charge totale	m	35	45	
Volume maximal de distribution	L/min	110	130	
Hauteur maximale d'aspiration	m	8	8	
Volume (réservoir de carburant)	L	0,5	0,65	
Volume (réservoir d'huile)	L	0,08	0,1	
Cylindrée du moteur	cm ³	24,5	33,5	
Rendement maximum du moteur	kW	0,71 à 7 000 min ⁻¹	1,07 à 7 000 min ⁻¹	
Carburateur	type	Diaphragme		
Dispositif d'allumage	type	Allumage transistorisé		
Bougie	type	NGK CMR6A		
Espace inter-électrodes	mm	0,7 – 0,8		
Carburant		Essence automobile		
Huile à moteur		Huile SAE 10W-30 de la classification API, classe SF ou supérieure (moteur à 4 temps pour automobile)		
Température d'eau applicable	°C	5 – 40	5 – 40	
Niveau de pression sonore	L _{pA eq}	dB (A)	88,4	88,4
	K d'incertitude	dB (A)	3	3
Niveau de puissance sonore	L _{wA, d}	dB (A)	109	109

Note : Portez des protections d'oreilles pendant l'utilisation.

DÉSIGNATION DES PIÈCES (Fig. 1 et 2)

ASSEMBLAGE (Fig. 3)

⚠ AVERTISSEMENT :

- Arrêtez toujours le moteur avant d'effectuer tout travail sur l'équipement.
- Ne faites démarrer le moteur qu'après avoir complètement assemblé l'équipement.

POSE DU TUYAU

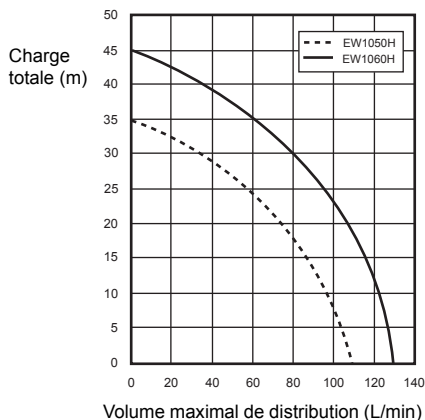
1. Posez les raccords de tuyau sur la pompe.

⚠ ATTENTION :

- En posant le raccord d'étanchéité sur la pompe, assurez-vous que la garniture d'étanchéité est en place.
2. Connectez les tuyaux aux raccords d'étanchéité à l'aide d'un collier de serrage.
 3. Connectez la crépine à l'extrémité du tuyau d'entrée.

Assurez-vous que le collier de serrage est bien serré.

Assurez-vous que le collier de serrage est bien serré.



NOTE :

- S'il y a une fuite d'air, l'eau ne pourra pas être tirée vers le haut.

⚠ ATTENTION :

- Ne retirez pas la crépine, autrement des corps étrangers risquent d'endommager la pompe. Assurez-vous que le collier de serrage est bien serré.

VÉRIFICATIONS AVANT L'UTILISATION

⚠ AVERTISSEMENT :

- Arrêtez toujours le moteur avant d'effectuer tout travail sur l'équipement. Effectuez toujours le travail sur une surface plane et stable.
- Avant de démarrer le moteur, vérifiez l'absence de vis et pièces de connexion mal serrées sur l'équipement.
- Pendant les travaux d'inspection ou de réparation, évitez de toucher le moteur ou le silencieux avec toute partie du corps ou avec vos vêtements, alors qu'ils sont encore chauds.
- Prêtez une attention particulière à la ventilation. Prenez garde à l'intoxication au monoxyde de carbone.

INSPECTION ET PLEIN D'HUILE À MOTEUR (Fig. 4)

Suivez la procédure ci-dessous une fois le moteur refroidi.

- Assurez-vous que le moteur est à l'horizontale.
- N'introduisez pas la jauge d'huile dans le filtre à huile pour vérifier le niveau d'huile.
- Vérifiez si le niveau d'huile se trouve entre les limites inférieure et supérieure de la jauge d'huile.
- Si le niveau d'huile est sous la limite inférieure, ajoutez de l'huile.
- Il se peut que vous deviez faire le plein d'huile à intervalles d'environ 10 heures d'utilisation (après 10 pleins de carburant).
- Si l'huile change de couleur ou s'imprègne de saletés, remplacez-la par de l'huile neuve.

Huile recommandée : Huile SAE 10W-30 de la classification API, classe SF ou supérieure (moteur à 4 temps pour automobile)

Volume d'huile :

Pour le modèle EW1050H : Environ 0,08 L

Pour le modèle EW1060H : Environ 0,1 L

NOTE :

- Si le moteur n'est pas placé à l'horizontale, l'indication du niveau d'huile risque d'être inexacte et l'huile peut déborder. L'huile sera contaminée ou dégagera une fumée blanche si elle dépasse la limite supérieure.

Faire le plein d'huile à moteur

1. Maintenez le moteur à l'horizontale, et enlevez la jauge d'huile.
2. Faites le plein d'huile jusqu'à la marque de limite supérieure. Utilisez la bouteille d'huile pour faire le plein.
3. Serrez fermement la jauge d'huile. Il y a risque de fuite d'huile si vous ne serrez pas assez.

Après avoir fait le plein d'huile

- À l'aide d'un chiffon, essuyez immédiatement toute huile renversée.

Changement d'huile : Jauge d'huile

- Enlevez les poussières et saletés près de l'orifice de remplissage du réservoir d'huile.
- Après avoir retiré la jauge d'huile, gardez-la exempte de grains de sable et de poussières. Autrement les grains de sable ou les poussières collés au bouchon du réservoir d'huile risquent d'affecter la circulation de l'huile ou de causer l'usure des pièces du moteur, ce qui entraînera des dysfonctionnements.

CARBURANT**⚠ AVERTISSEMENT :**

- Le carburant est extrêmement inflammable et toxique. Lorsque vous manipulez le carburant, gardez-le à l'écart des flammes nues (cigarette, poêle, feu d'artifice), étincelles électriques (batterie, court-circuit, étincelle d'interrupteur court-circuité, étincelle de soudure, etc.).
- Avant de faire le plein, pensez à arrêter le moteur. Ne faites pas le plein alors que le moteur est encore chaud.
- Soyez toujours très attentif, non seulement en faisant le plein, mais aussi lorsque vous transvasez le carburant dans un plus petit contenant.
- Après avoir fait le plein, serrez fermement le bouchon du réservoir de carburant, et essuyez toute trace de carburant renversé.

Manipulation du carburant

Le carburant doit être manipulé avec le plus grand soin. Le carburant peut contenir des substances similaires aux solvants. Le plein doit être effectué dans une pièce suffisamment ventilée ou en plein air. N'inspirez jamais les vapeurs de carburant, et restez à bonne distance du carburant. Si vous touchez le carburant de manière répétée ou prolongée, votre peau s'asséchera, ce qui peut entraîner une maladie de la peau ou une réaction allergique. Si le carburant pénètre dans vos yeux, rincez-les à l'eau fraîche. Si l'irritation des yeux persiste, consultez un médecin.

Période de rangement du carburant

Le carburant doit être utilisé dans les 4 semaines qui suivent, même si vous le conservez dans un contenant spécial et dans un emplacement sombre et bien ventilé. Le carburant peut se détériorer en une journée s'il n'est pas bien rangé.

Rangement de la machine et du réservoir

- Gardez la machine et le réservoir dans un emplacement frais et non exposé directement au soleil.
- Ne laissez jamais le carburant dans un véhicule.

Type de carburant :

Le moteur est à quatre temps. Vous devez utiliser de l'essence automobile sans plomb à indice d'octane 87 ou supérieur ((R+M)/2). Elle ne doit pas contenir plus de 10% d'alcool (E-10).

- N'utilisez jamais un mélange d'essence qui contient de l'huile à moteur. Autrement cela causera une accumulation excessive de carbone ou entraînera des problèmes mécaniques.

Capacité du réservoir de carburant :

Pour le modèle EW1050H : 0,5 L

Pour le modèle EW1060H : 0,65 L

Faire le plein (Fig. 5)

1. Maintenez le moteur à l'horizontale.
2. Desserrez un peu le bouchon du réservoir de carburant pour libérer la pression du réservoir.

3. Enlevez le bouchon du réservoir de carburant, et faites le plein. NE faites pas le plein de carburant jusqu'à ras bord du réservoir.
4. Après avoir fait le plein, serrez fermement le bouchon du réservoir de carburant.
 - Essayez l'extérieur du bouchon du réservoir de carburant pour éviter que des débris ne pénètrent dans le réservoir de carburant.
 - Remplacez le bouchon du réservoir de carburant s'il est abîmé ou comporte un défaut.
 - Le bouchon du réservoir de carburant s'use au fil du temps. Remplacez-le au bout de deux à trois ans.
 - NE versez pas de carburant dans l'orifice de remplissage du réservoir d'huile.

Eau d'amorçage (Fig. 6)

⚠ ATTENTION :

- Ne démarrez pas la pompe s'il n'y a pas d'eau dans le carter de pompe. Autrement le joint d'étanchéité mécanique risque d'être endommagé.

Retirez le bouchon d'amorçage et ajoutez de l'eau claire jusqu'à ce que le carter de pompe soit plein. Serrez ensuite le bouton d'amorçage.

NOTE :

- Si la prise d'eau est insuffisante, la capacité d'auto-amorçage sera réduite.
- Assurez-vous que la pompe est posée à un emplacement ferme et le plus près possible de la source d'eau.
- Plus la tête d'aspiration est élevée, plus le temps requis pour l'amorçage sera long et plus l'évacuation diminuera.

VÉRIFICATION DU MOTEUR :

- Vérifiez soigneusement l'absence de jeu et de fuite de carburant sur les tuyaux de carburant et les raccords d'étanchéité. Toute fuite de carburant représente un danger potentiel.
- Vérifiez la présence de boulons et écrous mal serrés. Le cas échéant, resserrez-les. Un boulon ou écrou mal serré peut entraîner un grave problème de moteur.
- Vérifiez l'huile à moteur et faites le plein si nécessaire.
- Vérifiez le niveau de carburant et faites le plein si nécessaire. Évitez de trop remplir le réservoir.
- Gardez les ailettes de cylindre et le lanceur à rappel exempts de saletés, d'herbes et autres débris.
- Portez des vêtements de travail moulants lorsque vous utilisez le moteur.

UTILISATION

⚠ AVERTISSEMENT :

- Ne touchez jamais le silencieux de moteur chaud, et ce tout spécialement lorsque vous faites redémarrer le moteur. Le silencieux devient chaud lorsque le moteur tourne.
- Pendant l'utilisation de la pompe, ne mettez pas les mains et n'insérez pas de corps étrangers dans les vannes de vidange.

⚠ AVERTISSEMENT :

Prenez garde aux coups de bélier

- Ne laissez pas les véhicules rouler sur le tuyau de distribution. Ne fermez pas brusquement la soupape de distribution, car le coup de bélier qui en résulterait risquerait d'endommager sévèrement la pompe.

Démarrage :

⚠ ATTENTION :

- L'huile de graissage ne s'étant pas encore assez répandue, ne faites pas tourner le moteur trop vite juste après le démarrage. S'il tourne trop vite inutilement, cela réduira la durée de vie de l'équipement ou causera des dommages.

1. Assurez-vous que le carter de pompe est rempli d'eau.
2. Assurez-vous que la crépine est placée sous l'eau.

⚠ ATTENTION :

- Veillez à appliquer une méthode préventive s'il y a de la boue ou du sable au fond de l'eau.

3. Assurez-vous que rien ne bloque la sortie du tuyau de distribution.
4. Mettez le commutateur du moteur I-O (marche/arrêt) sur "I" (marche).
5. Vérifiez que le levier de puissance indique "L". (Fig. 7)

6. Continuez d'appuyer sur la pompe d'amorçage jusqu'à ce que le carburant y pénètre. (En général, de 7 à 10 pressions.)

7. Ajustez le levier d'étrangleur.

- Si le moteur est froid ou si la température ambiante est basse, fermez complètement le levier d'étrangleur. (Fig. 8)

- Si le moteur est chaud ou si la température ambiante est élevée, ouvrez le levier d'étrangleur à mi-course ou laissez-le complètement ouvert.

8. Tirez doucement sur la poignée de démarrage, jusqu'à ce que vous sentiez une certaine résistance. Remettez ensuite la poignée de démarrage en position initiale, puis tirez-la vivement.

Ne tirez jamais la corde sur toute sa longueur.

Ne libérez jamais la poignée de démarrage immédiatement après avoir tiré dessus. Tenez-la jusqu'à ce qu'elle soit retournée à son point initial.

Si le moteur est difficile à démarrer, ouvrez les gaz d'1/3 environ.

9. Une fois le moteur démarré, mettez le levier d'étrangleur sur la position OPEN si vous l'aviez fermé. (Fig. 9)

10. Laissez le temps au moteur de bien "se réchauffer". Poursuivez le réchauffement du moteur pendant 2 à 3 minutes en position "L".

Faire tourner le moteur :

Tournez le levier de puissance jusqu'à la position moyenne, et vérifiez si l'eau sort par le tuyau de distribution.

Opération finale

Arrêter le moteur

Tournez le levier de puissance jusqu'à la position "L" pour régler le moteur sur la vitesse minimale.

Mettez le commutateur du moteur I-O (marche/arrêt) sur "O" (arrêt).

Vidange de l'eau après l'utilisation

L'hiver, l'eau gèle à l'intérieur du carter de pompe à moins de 0 °C, et la pompe risque alors de casser. Après l'utilisation, ne rangez la machine qu'après avoir vidangé l'eau par la canalisation de vidange au bas de la machine.

INSTRUCTIONS POUR L'ENTRETIEN

⚠ AVERTISSEMENT :

- Arrêtez toujours le moteur avant d'effectuer tout travail sur l'équipement. N'effectuez aucun travail d'entretien alors que le moteur est encore chaud.

⚠ ATTENTION :

- Ne nettoyez pas le moteur avec de l'eau pendant l'entretien.

CHANGEMENT D'HUILE À MOTEUR

⚠ AVERTISSEMENT :

- Le moteur et l'huile à moteur sont encore chauds juste après l'arrêt du moteur. Attendez un temps suffisant pour laisser refroidir le moteur et l'huile à moteur. Autrement il y a risque de brûlure à la peau.

⚠ ATTENTION :

- Avant d'effectuer le changement d'huile, informez-vous de la manière adéquate d'éliminer l'huile usée. Ne la déversez pas dans les canalisations d'égout, sur la terre de jardin ou dans un cours d'eau. Vous trouverez plus de détails sur l'élimination adéquate dans votre réglementation locale.

Une huile à moteur usée réduit la durée de service du moteur. Pensez à vérifier l'huile et son niveau régulièrement.

NOTE :

- Si vous dépassez la limite en faisant le plein d'huile, elle risque d'être contaminée ou de prendre en feu en dégageant de la fumée blanche. Une fois le contact coupé, laissez suffisamment le temps à l'huile à moteur de retourner dans le réservoir d'huile, pour assurer une lecture exacte du niveau d'huile.

Intervalle de remplacement : Après les 20 premières heures d'utilisation, puis à intervalles de 50 heures d'utilisation.

Huile recommandée : Huile SAE 10W-30 de la classification API, classe SF ou supérieure (moteur à 4 temps pour automobile)

Volume d'huile :

Pour le modèle EW1050H : Environ 0,08 L

Pour le modèle EW1060H : Environ 0,1 L

1. Retirez la jauge d'huile. (Fig. 10)

Prenez soin de mettre la jauge d'huile là où les saletés, poussières ou autres corps étrangers ne risquent pas d'y adhérer.

2. Mettez un chiffon ou un essuie-tout autour de l'orifice de remplissage d'huile.

3. Retirez la jauge d'huile, puis inclinez le moteur et vidangez l'huile dans un bac ou autre récipient.

4. Mettez l'équipement sur une surface de niveau. Versez l'huile à l'aide d'un flacon compressible ou autre contenant approprié. Versez l'huile à ras bord du col de remplissage. (Fig. 4)

5. Après avoir fait le plein d'huile à moteur, réinsérez la jauge d'huile. Assurez-vous que la jauge d'huile est bien serrée, pour éviter que l'huile ne s'échappe.

VÉRIFICATION DE LA BOUGIE (Fig. 11)

⚠ ATTENTION :

- Ne touchez jamais le connecteur de bougie pendant que le moteur tourne (il y a risque de décharge électrique haute tension).

Intervalle de nettoyage et d'inspection : Quotidien (toutes les 10 heures de fonctionnement)

- Utilisez exclusivement la clé universelle fournie pour retirer ou poser la bougie.
- L'espace entre les deux électrodes de la bougie doit être de 0,7 à 0,8 mm.

Si l'espace est trop grand ou trop petit, ajustez-le. Si la bougie est encrassée ou contaminée, nettoyez-la soigneusement ou remplacez-la.

NETTOYAGE DE L'ÉPURATEUR D'AIR (Fig. 12)

⚠ AVERTISSEMENT :

- Coupez le moteur. Gardez-le à l'écart des flammes nues.

S'il est sale, l'élément de l'épurateur d'air rendra le démarrage difficile, entraînera une perte de puissance et autres dysfonctionnements du moteur, en plus de réduire considérablement la durée de service du moteur. Gardez l'élément de l'épurateur d'air bien propre.

Intervalle de nettoyage et d'inspection : Quotidien (toutes les 10 heures de fonctionnement)

1. Mettez le levier d'étrangleur en position complètement fermée, de sorte que les poussières et saletés ne puissent pénétrer dans le carburateur.
2. Retirez le boulon de fixation du couvercle d'épurateur d'air.
3. Pour retirer le couvercle d'épurateur d'air, tirez sur le bord inférieur du couvercle.
4. Retirez l'élément, nettoyez-le avec une solution d'eau tiède et de détergent doux, puis laissez sécher complètement.
5. Posez-le en l'alignant sur les lignes indiquées sur l'illustration.
6. À l'aide d'un chiffon, essuyez toute trace d'huile qui adhère autour du couvercle d'épurateur d'air et du reniflard.
7. Après le nettoyage, réassemblez le couvercle d'épurateur (insérez d'abord la languette du dessus, puis insérez la languette du dessous), puis serrez le boulon de fixation.

NETTOYAGE DU FILTRE À CARBURANT

⚠ AVERTISSEMENT :

- Coupez le moteur. Gardez-le à l'écart des flammes nues. Ne fumez pas.

Intervalle de nettoyage et d'inspection: Mensuel (toutes les 50 heures de fonctionnement)

Le filtre à carburant sert à filtrer le carburant dont a besoin le carburateur. L'inspection visuelle du filtre à carburant doit être effectuée régulièrement.

1. Ouvrez le bouchon du réservoir de carburant, puis utilisez un crochet métallique pour faire sortir la tête d'aspiration par l'ouverture du réservoir.
2. Retirez le collier de serrage du tuyau et faites sortir le filtre à carburant par la conduite de carburant.
3. Nettoyez le filtre à carburant avec du kérosène.
4. Une fois nettoyé, réassemblez-le.
5. Si le filtre est dur ou encrassé, remplacez-le par un neuf.

Remplacez le filtre à carburant au moins tous les trois mois, pour assurer l'alimentation suffisante du carburateur en carburant. Autrement l'alimentation insuffisante en carburant risquera de causer l'échec du démarrage et de limiter la vitesse maximale.

Après la vérification, le nettoyage et le remplacement, fixez le filtre à carburant dans la conduite de carburant, à l'aide du collier de serrage du tuyau.

Enfoncez complètement le filtre à carburant, jusqu'au fond du réservoir de carburant. (Fig. 13)

REMPLACEMENT DE LA CONDUITE DE CARBURANT (Fig. 14)

⚠ AVERTISSEMENT :

- Coupez le moteur. Gardez-le à l'écart des flammes nues.

Intervalle de nettoyage et d'inspection : Quotidien (toutes les 10 heures de fonctionnement)

Remplacement : Annuel (toutes les 200 heures de fonctionnement)

Tableau d'entretien périodique

Temps d'utilisation	Rubrique	Avant l'utilisation	Quotidien (10 h)	50 h	200 h	Avant le rangement
Huile à moteur	Inspecter/faire le plein	○				
	Remplacer			○*1		
Serrage des pièces (boulons, écrous)	Inspecter	○				
Réservoir de carburant	Nettoyer/inspecter	○				
	Vidanger le carburant					○
Levier de puissance	Vérifier le fonctionnement	○				
Commutateur I-O (marche/arrêt)	Vérifier le fonctionnement	○				
Épurateur d'air	Nettoyer		○			
Bougie	Inspecter		○			
	Nettoyer/ajuster				○	
Conduit d'air de refroidissement et ailettes de cylindre	Nettoyer/inspecter		○			
Conduite de carburant	Inspecter		○			
	Remplacer				⊙*2	
Filtre à carburant	Nettoyer/remplacer			○		
Jeu des soupapes (soupape d'entrée et soupape d'évacuation)	Inspecter/ajuster				⊙*2	
Révision du moteur au besoin					⊙*2	
Carburateur	Vidanger le carburant					○
Jeu de pompe	Nettoyer		○			
Crépine	Inspecter/nettoyer	○				

*1 Effectuez le premier remplacement après 20 heures d'utilisation.

Avant d'effectuer le changement d'huile, informez-vous de la manière adéquate d'éliminer l'huile usée. Ne la versez pas dans les canalisations d'égout, sur la terre de jardin ou dans un cours d'eau. Vous trouverez plus de détails sur l'élimination adéquate dans votre réglementation locale.

*2 Concernant l'inspection après 200 heures d'utilisation, faites-la effectuer dans un centre de service après-vente agréé.

Remplacez la conduite de carburant une fois l'an, quelle que soit la fréquence d'utilisation. Une fuite de carburant peut entraîner un incendie.

Si vous constatez une fuite pendant l'inspection, remplacez immédiatement la conduite de carburant.

INSPECTION DES BOULONS, ÉCROUS ET VIS

- Resserrez les boulons, écrous, etc.
- Vérifiez que le bouchon du réservoir de carburant et le bouchon du réservoir d'huile sont bien serrés. Vérifiez l'absence de fuite de carburant ou d'huile.
- Pour un fonctionnement sûr, remplacez les pièces endommagées par des neuves.

NETTOYAGE DES PIÈCES

- Gardez toujours le moteur propre, en l'essuyant avec un chiffon.
- Gardez les ailettes de cylindre exemptes de poussières et de saletés. L'adhésion de poussières ou saletés sur les ailettes peut causer le grippage du piston.

RANGEMENT

⚠ AVERTISSEMENT :

- Avant de vidanger le carburant, pensez à arrêter le moteur et attendez qu'il ait refroidi. Juste après l'arrêt du moteur, celui-ci peut être encore chaud, ce qui comporte un risque de brûlures, d'inflammabilité et d'incendie.

⚠ ATTENTION :

- Si l'équipement doit rester inutilisé pour une période prolongée, vidangez tout le carburant du réservoir de carburant, et rangez l'équipement dans un emplacement sec et propre.

Avant le rangement

1. Retirez toute l'eau par l'orifice de vidange.

2. Tirez doucement sur la poignée du lanceur à rappel du moteur, jusqu'à ce que vous sentiez une résistance.
3. Après avoir retiré le carburant du réservoir de carburant, appuyez sur la pompe d'amorçage jusqu'à ce que le tuyau de gaz soit vide. Retirez le carburant de la pompe encore une fois.
4. Mettez le levier de puissance sur la position "L".
5. Essuyez toute trace de saletés ou poussières.
6. Rangez la pompe dans un emplacement sec et chaud, où elle ne risquera pas de geler.

Transport

Pour soulever et transporter la machine, saisissez fermement la poignée à deux mains.

DEPANNAGE

Avant de faire une demande de réparation, vérifiez-vous même la cause du problème. Si vous constatez une anomalie, vérifiez la machine en suivant les descriptions du présent manuel. Ne modifiez ou démontez jamais une pièce à l'encontre des descriptions. Pour les réparations, contactez un centre de service après-vente agréé.

Problème	Cause	Solution
Le moteur ne démarre pas.	La pompe d'amorçage ne fonctionne pas.	Appuyez de 7 à 10 fois.
	Le câble du démarreur n'est pas tiré assez vite.	Tirez vivement.
	Manque de carburant.	Ajoutez du carburant.
	Filtre à carburant encrassé.	Nettoyez-le.
	Tube à carburant déconnecté.	Connectez bien le tube à carburant.
	Tube à carburant plié.	Redressez le tube à carburant.
	Carburant usé.	Le carburant usé rend le démarrage plus difficile. Remplacez par du carburant neuf. (Intervalle de remplacement recommandé : 1 mois)
	Aspiration excessive du carburant.	Mettez le levier de puissance sur la position moyenne ou "H", puis tirez sur la poignée de démarreur jusqu'à ce que le moteur démarre. Si le moteur ne démarre toujours pas, retirez la bougie, laissez sécher l'électrode, et remettez-les en position initiale. Ensuite, redémarrez en suivant les instructions.
	Capot de bougie détaché.	Fixez-le bien.
	Bougie contaminée.	Nettoyez-la.
	Espace anormal sur la bougie.	Ajustez l'espace.
	Autre anomalie de la bougie.	Remplacez-la.
	Carburateur anormal.	Faites une demande d'inspection et d'entretien.
Impossible de tirer sur le câble du démarreur.	Faites une demande d'inspection et d'entretien.	
Dispositif d'entraînement anormal.	Faites une demande d'inspection et d'entretien.	

Le moteur s'arrête peu après le démarrage. Le moteur n'accélère pas.	Réchauffement insuffisant.	Laissez réchauffer.
	Le levier d'étrangleur est sur "CLOSE" même si le moteur est réchauffé.	Mettez-le sur "OPEN".
	Filtre à carburant encrassé.	Nettoyez-le.
	Épurateur d'air contaminé ou encrassé.	Nettoyez-le.
	Carburateur anormal.	Faites une demande d'inspection et d'entretien.
	Dispositif d'entraînement anormal.	Faites une demande d'inspection et d'entretien.
La pompe ne fonctionne pas.	Grippage du rotor.	Faites-le réparer par le centre de service après-vente agréé Makita le plus près.
Le volume de pompage est faible.	De l'air pénètre du côté aspiration.	Vérifiez les tuyaux du côté aspiration.
	Baisse de puissance du moteur.	Faites-le réparer par le centre de service après-vente agréé Makita le plus près.
	Bris du joint d'étanchéité mécanique.	Remplacez la garniture d'étanchéité.
	Hauteur d'aspiration élevée.	Abaissez la hauteur d'aspiration.
	Tuyau mince, long ou courbé.	Épaississez, raccourcissez ou redressez.
	Fuite d'eau dans la conduite d'eau.	Colmatez la fuite.
	Corps étranger coincé dans le rotor.	Faites-le réparer par le centre de service après-vente agréé Makita le plus près.
	Usure du rotor.	Faites-le réparer par le centre de service après-vente agréé Makita le plus près.
L'autoamorçage de la pompe ne fonctionne pas.	Aspiration d'air du côté aspiration.	Vérifiez les tuyaux du côté aspiration.
	Eau d'amorçage insuffisante dans le carter de pompe.	Remplissez.
	Robinet de vidange mal serré.	Serrez fermement les 2 bouchons.
	Le moteur ne tourne pas bien.	Faites-le réparer par le centre de service après-vente agréé Makita le plus près.
	Entrée d'air par le joint d'étanchéité mécanique.	Remplacez la garniture d'étanchéité.

Erläuterung der Gesamtsicht

1 Schraube (Befüllen)	14 Chokehebel	27 Ansaugung
2 Förderung	15 Startergriff	28 Sieb
3 Ansaugung	16 Seilzugstarter	29 Schlauch (Sonderzubehör)
4 Schraube (Ablassen)	17 Ölmesstab	30 Ölmesstab
5 Pumpengehäuse	18 Aufstellbasis	31 Oberer Pegel
6 Handgriff	19 Gashebel	32 Unterer Pegel
7 Zündkerzendeckel	20 Dichtung	33 Kraftstofftankverschluss
8 Luftfilter	21 Schlauchverbindung	34 Oberer Pegel
9 Tankdeckel	22 Flügelmutter	35 Kraftstofftank
10 Kraftstofftank	23 Schlauchschelle	36 Kraftstoffleitung
11 Anlasspumpe	24 Schlauch	
12 I-O-Schalter (Ein/Aus)	25 Schraube (Befüllen)	
13 Schalldämpfer	26 Förderung	

Wir danken Ihnen, dass Sie sich für eine MAKITA-Benzinmotorpumpe entschieden haben. Wir freuen uns, Ihnen die MAKITA-Benzinmotorpumpe empfehlen zu können, die das Ergebnis eines langen Entwicklungsprogramms und langjähriger Fachkenntnis und Erfahrung darstellt.

Bitte lesen Sie diese Anleitung durch, in der die verschiedenen Punkte, welche die hervorragende Leistung dieses Produkts demonstrieren, ausführlich behandelt werden. Dies wird Ihnen dabei helfen, die bestmöglichen Resultate von Ihrer MAKITA-Benzinmotorpumpe zu erhalten.

SYMBOLE

Beim Durchlesen der Bedienungsanleitung werden Sie die folgenden Symbole finden.



Lesen Sie die Bedienungsanleitung durch, und befolgen Sie die Warnungen und Sicherheitsmaßnahmen.



Besondere Umsicht und Aufmerksamkeit erforderlich.



Den Motor niemals in Innenräumen benutzen.



Den Motor nicht in heißem Zustand berühren.



Umgang mit offenen Flammen verboten!



Den Ölstand vor dem Starten überprüfen.



CE-Zeichen

⚠️ WARNUNG:

• BITTE LESEN SIE DIESES HANDBUCH VOLLSTÄNDIG DURCH, UM SICH MIT SEINEM INHALT VERTRAUT ZU MACHEN, BEVOR SIE DIE MASCHINE IN BETRIEB NEHMEN.

Die folgenden Markierungen ⚠️ kennzeichnen wichtige Sicherheitsinformationen. Sie sollten diese Anweisungen stets beachten. Falscher Gebrauch des Gerätes kann zu schweren Unfällen führen.

⚠️ GEFAHR: Eine Missachtung der Anweisungen kann zum Tod oder schweren Verletzungen führen.

⚠️ WARNUNG: Eine Missachtung der Anweisungen unter WARNUNG kann zu schweren Verletzungen oder Tod des Maschinenbedieners, eines Zuschauers oder einer Person führen, die die Maschine inspiziert oder repariert.

⚠️ VORSICHT: VORSICHT kennzeichnet besondere Vorsichtsmaßnahmen, die getroffen werden müssen, um Körperverletzungen und Beschädigung der Maschine zu vermeiden.

HINWEIS: Ein HINWEIS gibt wichtige Informationen, um Verfahren einfacher oder klarer zu machen.

SICHERHEITSVORSCHRIFTEN

- Diese Bedienungsanleitung erläutert den allgemeinen Gebrauch und Vorsichtsmaßnahmen für die Ausrüstung. Lesen Sie diese Bedienungsanleitung aufmerksam durch, bevor Sie das Gerät in Betrieb nehmen. Und befolgen Sie die Sicherheitsbestimmungen genau.
- Bewahren Sie diese Bedienungsanleitung für späteres Nachschlagen an einem sicheren Ort auf. Sollte diese Bedienungsanleitung verloren gehen oder beschädigt werden, wenden Sie sich bezüglich eines Ersatzes unverzüglich an eine autorisierte Makita-Kundendienststelle.
- Wenn Sie das Gerät anderen Personen ausleihen oder übergeben, händigen Sie stets die Bedienungsanleitung und anderes Informationsmaterial mit dem Gerät aus.

- Im Zuge unseres Dauerprogramms der Forschung und Entwicklung behalten wir uns Änderungen der Produktspezifikationen vor. Die Abbildungen oder der Inhalt dieses Handbuchs können vom tatsächlichen Produkt abweichen.
- Wenn Sie Hilfe für weitere Einzelheiten benötigen, wenden Sie sich an Ihren Händler oder eine autorisierte Makita-Kundendienststelle.

Verwendungszweck der Maschine

Dieses Gerät ist ausschließlich zum Pumpen von Bewässerungs- und Berieselungswasser vorgesehen.

Dieses Gerät darf nur zum Pumpen von klarem Wasser verwendet werden.

⚠ GEFAHR:

- Nehmen Sie keine Modifikationen oder Änderungen am Gerät vor.
- Benutzen Sie das Gerät nicht für sachfremde Zwecke.
- Verwenden Sie nur zugelassene Original-Ersatzteile für Wartung und Reparatur.
- Eine Missachtung der obigen Warnungen kann zu schwerer Beschädigung des Gerätes oder Körperverletzungen führen.

VORSICHTSMASSNAHMEN HINSICHTLICH DER ABGASE

- Abgase niemals einatmen. Sie enthalten Kohlenmonoxid, ein farbloses, geruchloses und äußerst gefährliches Gas, das Bewusstlosigkeit oder Tod verursachen kann.
- Betreiben Sie den Motor niemals in Innenräumen oder in einem schlecht belüfteten Bereich, z. B. in einem Tunnel, einer Höhle usw.
- Lassen Sie äußerste Sorgfalt walten, wenn Sie den Motor in der Nähe von Personen oder Tieren betreiben.
- Halten Sie das Auspuffrohr von Fremdkörpern frei.

VORSICHTSMASSNAHMEN HINSICHTLICH DES AUFTANKENS

- Stellen Sie den Motor vor dem Auftanken unbedingt ab.
- Überfüllen Sie den Kraftstofftank nicht.
- Falls Kraftstoff verschüttet wird, wischen Sie ihn sorgfältig auf, und warten Sie, bis die Stelle trocken ist, bevor Sie den Motor starten.
- Vergewissern Sie sich nach dem Auftanken, dass der Tankdeckel fest verschlossen ist, um Verschütten von Kraftstoff zu verhindern.

BRANDVERHÜTUNG

- Betreiben Sie das Gerät nicht in der Nähe einer offenen Flamme, oder während Sie rauchen.
- Benutzen Sie das Gerät nicht in der Nähe von trockenem Niederholz, Zweigen, Stofflappen oder anderem brennbaren Material.
- Halten Sie mindestens 1 m Abstand zwischen dem Motor und Gebäuden oder anderen Strukturen ein.
- Halten Sie den Motor von brennbaren und anderen gefährlichen Stoffen (Abfall, Lappen, Schmiermittel, Explosivstoffe) fern.

Nur für europäische Länder

EG-Konformitätserklärung

Wir, die Firma Makita als verantwortlicher Hersteller, erklären, dass die folgende(n) Makita-Maschine(n):

Bezeichnung der Maschine: Benzinmotorpumpe

Modell-Nr./Typ: EW1050H, EW1060H

Technische Daten: siehe Tabelle "TECHNISCHE DATEN"

der Serienproduktion entstammen und **den folgenden europäischen Richtlinien entsprechen:**

2000/14/EC, 2006/42/EC, 2010/26/EU,

2004/108/EC, 2000/14/EC, 2005/88/EC

und gemäß den folgenden Standards oder standardisierten Dokumenten hergestellt werden:

EN 809, EN 55012

Die technische Dokumentation befindet sich im Bestand von:

Makita International Europe Ltd., Technische Abteilung,
Michigan Drive, Tongwell, Milton Keynes, Bucks
MK15 8JD, England

Das von der Richtlinie 2000/14/EG geforderte Konformitätsbewertungsverfahren war in Übereinstimmung mit Anhang V.

Gemessener Schalleistungspegel: 100,9 dB(A)

Garantierter Schalleistungspegel: 109 dB(A)

31.8.2012



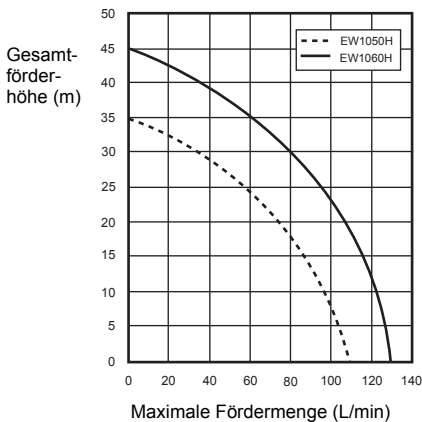
Tomoyasu Kato
Direktor

Makita Corporation
3-11-8, Sumiyoshi-cho,
Anjo, Aichi, JAPAN

TECHNISCHE DATEN

		EW1050H	EW1060H	
Gewicht	kg	5,8	7,3	
Abmessungen	mm	327 x 231 x 319	356 x 234 x 336	
Typ		Selbstansaugende KREISELPUMPE		
Durchmesser (Ansaugung – Förderung)	Zoll	1		
Gesamtförderhöhe	m	35	45	
Maximale Fördermenge	L/min	110	130	
Maximale Saughöhe	m	8	8	
Volumen (Kraftstofftank)	L	0,5	0,65	
Volumen (Öltank)	L	0,08	0,1	
Motorhubraum	cm ³	24,5	33,5	
Maximale Motorleistung	kW	0,71 bei 7.000 min ⁻¹	1,07 bei 7.000 min ⁻¹	
Vergaser	Typ	Membranvergaser		
Zündanlage	Typ	Festkörperzündung		
Zündkerze	Typ	NGK CMR6A		
Elektrodenabstand	mm	0,7 – 0,8		
Kraftstoff		Kraftfahrzeugbenzin		
Motoröl		SAE 10W-30 Öl der API-Klasse SF oder höher (4-Takt-Motoröl für Automobile)		
Zutreffende Wassertemperatur	°C	5 – 40	5 – 40	
Schalldruckpegel	L _{pA, eq}	dB (A)	88,4	88,4
	Ungewissheit K	dB (A)	3	3
Schalleistungspegel	L _{WA, d}	dB (A)	109	109

Hinweis: Tragen Sie Gehörschützer während des Betriebs.



BEZEICHNUNG DER TEILE (Abb. 1 u. 2)

ZUSAMMENBAU (Abb. 3)

⚠️ WARNUNG:

- Bevor Sie irgendwelche Arbeiten am Gerät durchführen, stellen Sie stets den Motor ab.
- Starten Sie den Motor erst, nachdem das Gerät vollständig zusammgebaut worden ist.

SCHLAUCHANSCHLUSS

1. Montieren Sie die Schlauchverbindungen an der Pumpe.

⚠️ VORSICHT:

- Achten Sie beim Montieren der Verbindung an der Pumpe darauf, dass die Dichtung vorhanden ist.
- 2. Sichern Sie die Schläuche mit Schlauchschellen an den Verbindungen.

Vergewissern Sie sich, dass die Schlauchschelle sicher festgezogen ist.

3. Bringen Sie das Sieb am Einlassschlauchende an.

HINWEIS:

- Falls Luft eindringt, kann kein Wasser angesaugt werden.

⚠ VORSICHT:

- Das Sieb darf nicht entfernt werden, weil sonst eine Beschädigung der Pumpe durch Fremdkörper auftreten kann.

Vergewissern Sie sich, dass die Schlauchschelle sicher festgezogen ist.

KONTROLLEN VOR DEM BETRIEB

⚠ WARNUNG:

- Bevor Sie irgendwelche Arbeiten am Gerät durchführen, stellen Sie stets den Motor ab. Führen Sie Arbeiten stets auf einer flachen und stabilen Fläche aus.
- Überprüfen Sie das Gerät auf lockere Schrauben oder Verbindungsteile, bevor Sie den Motor starten.
- Vermeiden Sie Berühren des Motors und Schalldämpfers mit irgendeinem Körperteil oder Kleidungsstück während der Inspektion oder Reparatur, während die Teile noch heiß sind.
- Sorgen Sie besonders für gute Belüftung. Hüten Sie sich vor CO-Vergiftung.

ÜBERPRÜFEN UND NACHFÜLLEN VON MOTORÖL (Abb. 4)

Den folgenden Vorgang bei kaltem Motor durchführen.

- Sicherstellen, dass der Motor horizontal liegt.
- Den Ölmessstab zum Kontrollieren des Ölstands nicht in den Öleinfüllstutzen einschrauben.
- Prüfen Sie, ob sich der Ölstand zwischen der oberen und unteren Pegelmarke auf dem Ölmessstab befindet.
- Befindet sich der Ölstand unterhalb der unteren Pegelmarke, füllen Sie Öl nach.
- Öl muss eventuell etwa alle 10 Betriebsstunden (nach jeweils 10 Auftankungen) nachgefüllt werden.
- Falls das Öl seine Farbe ändert oder sich mit Schmutz vermischt, ist das Öl zu wechseln.

Empfohlenes Öl: SAE 10W-30 Öl der API-Klasse SF oder höher (4-Takt-Motoröl für Automobile)

Ölmenge:

Für Modell EW1050H: Ca. 0,08 L

Für Modell EW1060H: Ca. 0,1 L

HINWEIS:

- Liegt der Motor nicht horizontal, kann die Anzeige des Ölstands ungenau sein, so dass eventuell zu viel Öl eingefüllt wird. Wird Öl über die obere Pegelmarke eingefüllt, kann es zu Ölschmutzung oder weißem Rauch kommen.

Nachfüllen von Motoröl

1. Den Motor horizontal halten, und den Ölmessstab entfernen.
2. Öl bis zur oberen Pegelmarke einfüllen. Zum Einfüllen eine Ölflasche verwenden.
3. Den Ölmessstab sicher festziehen. Unzureichendes Anziehen kann zu Ölauslaufen führen.

Nach dem Einfüllen von Öl

- Verschüttetes Öl sofort mit einem Lappen aufwischen.

Ölwechsel: Ölmessstab

- Staub oder Schmutz in der Nähe der Öleinfüllöffnung entfernen.
- Den entfernten Ölmessstab von Sand oder Staub frei halten. Anderenfalls kann der am Öldeckel haftende Sand oder Staub Probleme durch unregelmäßige Ölzirkulation oder Verschleiß der Motorteile verursachen.

KRAFTSTOFF

⚠ WARNUNG:

- Kraftstoff ist hochentzündlich und giftig. Bleiben Sie bei der Handhabung von Kraftstoff von offenen Flammen (Zigarette, Ofen, Feuerwerk), elektrischen Funken (Batterie, Kurzschluss, Funken von kurzgeschlossenem Schalter, Schweißfunken usw.) fern.
- Den Motor vor dem Auftanken unbedingt abstellen. Nicht bei noch heißem Motor auftanken.
- Lassen Sie auch bei anderen Situationen außer dem Auftanken ausreichende Sorgfalt walten, auch beim Umfüllen von Kraftstoff in kleine Behälter.
- Den Kraftstofftankdeckel nach dem Auftanken sicher verschließen, und verschütteten Kraftstoff vollständig aufwischen.

Handhabung von Kraftstoff

Kraftstoff muss mit äußerster Sorgfalt behandelt werden. Kraftstoff kann lösungsmittelähnliche Substanzen enthalten. Das Auftanken muss in einem ausreichend belüfteten Raum oder im Freien durchgeführt werden. Atmen Sie Kraftstoffdämpfe keinesfalls ein, und halten Sie Kraftstoff von sich fern. Wenn Sie wiederholt oder längere Zeit mit Kraftstoff in Berührung kommen, wird die Haut trocken, was zu einer Hautkrankheit oder Allergie führen kann. Falls Kraftstoff in die Augen gelangt, spülen Sie die Augen mit frischem Wasser aus. Falls die Augenreizung bestehen bleibt, konsultieren Sie Ihren Arzt.

Lagerzeit von Kraftstoff

Kraftstoff sollte innerhalb von 4 Wochen aufgebraucht werden, selbst wenn er in einem Spezialbehälter an einem gut belüfteten und schattigen Ort gelagert wird. Anderenfalls kann der Kraftstoff an einem Tag schlecht werden.

Lagerung der Maschine und des Nachfülltanks

- Lagern Sie Maschine und Tank an einem kühlen Ort, der keinem direkten Sonnenlicht ausgesetzt ist.
- Kraftstoff niemals in einem Auto aufbewahren.

Kraftstofftyp:

Der Motor ist ein Viertakt-Motor. Verwenden Sie bleifreies Kraftfahrzeugbenzin mit einer Oktanzahl von 87 oder höher ($(R+M)/2$). Das Benzin darf nicht mehr als 10% Alkohol (E-10) enthalten.

- Verwenden Sie keinesfalls ein Benzin-Motorölgemisch. Dies verursacht übermäßige Kohlenstoffablagerung oder mechanische Störungen.

Kraftstofftankinhalt:

Für Modell EW1050H: 0,5 L

Für Modell EW1060H: 0,65 L

Auftanken (Abb. 5)

1. Halten Sie den Motor horizontal.
2. Den Kraftstofftankdeckel ein wenig lösen, um den Tankdruck abzulassen.
3. Den Kraftstofftankdeckel abnehmen, und auftanken. Kraftstoff NICHT bis zum Rand des Tanks einfüllen.
4. Nach dem Auftanken den Kraftstofftankdeckel sicher festziehen.

- Die Außenseite des Kraftstofftankdeckels abwischen, um Eindringen von Unrat in den Kraftstofftank zu verhindern.
- Falls der Kraftstofftankdeckel irgendeinen Mangel oder Schaden aufweist, ist er auszutauschen.
- Der Kraftstofftankdeckel verschleißt im Laufe der Zeit. Er ist alle zwei bis drei Jahre auszutauschen.
- Kraftstoff NICHT in die Öleinfüllöffnung einfüllen.

Anlasswasser (Abb. 6)

⚠ VORSICHT:

- Starten Sie die Pumpe nicht ohne Wasser im Pumpengehäuse. Anderenfalls kann die Gleitringdichtung beschädigt werden.

Entfernen Sie die Befüllschraube, und füllen Sie sauberes Wasser ein, bis das Pumpengehäuse mit Wasser gefüllt ist. Nach dem Einfüllen die Befüllschraube festziehen.

HINWEIS:

- Ist die Wasseransaugung unzureichend, verringert sich die Selbstansaugleistung.
- Stellen Sie sicher, dass die Pumpe auf festem Untergrund steht und sich möglichst nah an der Wasserquelle befindet.
- Je größer die Saughöhe ist, desto mehr Zeit ist für das Ansaugen bei geringerer Förderung erforderlich.

ÜBERPRÜFEN DES MOTORS:

- Überprüfen Sie die Kraftstoffschläuche und Verbindungen sorgfältig auf Lockerheit und Kraftstofflecks. Auslaufender Kraftstoff erzeugt eine potentiell gefährliche Situation.
- Überprüfen Sie Schrauben und Muttern auf Lockerheit. Lockere Schrauben und Muttern sind anzuziehen. Eine lockere Schraube oder Mutter kann ernsthafte Motorstörungen verursachen.
- Den Motorölstand überprüfen, und gegebenenfalls Öl nachfüllen.
- Den Kraftstoffstand überprüfen, und gegebenenfalls Kraftstoff nachfüllen. Achten Sie darauf, den Tank nicht zu überfüllen.
- Zylinderlamellen und Seilzugstarter frei von Schmutz, Gras und anderem Unrat halten.
- Tragen Sie eng anliegende Arbeitskleidung, wenn Sie den Motor betreiben.

BETRIEB

⚠ WARNUNG:

- Niemals den heißen Schalldämpfer berühren, besonders beim erneuten Starten des Motors. Der Schalldämpfer wird während des Motorbetriebs heiß.
- Stecken Sie nicht Ihre Hände oder Fremdkörper in die Auslassventile, während die Pumpe in Betrieb ist.

⚠ WARNUNG:

Auf Wasserschlag achten

- Lassen Sie nicht zu, dass das Rad eines Fahrzeugs über den Förderschlauch rollt. Schließen Sie das Förderventil nicht abrupt, weil sonst ein Wasserschlag auftritt, der zu schwerer Beschädigung der Pumpe führen kann.

Starten:

⚠ VORSICHT:

- Drehen Sie den Motor unmittelbar nach dem Starten nicht hoch, weil das Schmieröl noch nicht genug verteilt ist. Eine unnötig hohe Drehzahl verkürzt die Lebensdauer des Gerätes oder verursacht Schäden.

1. Prüfen Sie, ob das Pumpengehäuse mit Wasser gefüllt ist.

2. Stellen Sie sicher, dass das Sieb unter Wasser ist.

⚠ VORSICHT:

- Wenden Sie eine Verhütungsmaßnahme an, wenn der Boden des Wassers mit Schlamm oder Sand bedeckt ist.
3. Stellen Sie sicher, dass sich kein Hindernis an der Mündung des Förderschlauchs befindet.
 4. Stellen Sie den I-O-Schalter (EIN/AUS) des Motors auf die Position "I" (EIN).
 5. Prüfen Sie, ob der Gashebel auf "L" steht. (Abb. 7)
 6. Die Anlasspumpe betätigen, bis Kraftstoff in die Anlasspumpe einströmt. (Im Allgemeinen genügt 7- bis 10-maliges Drücken.)
 7. Stellen Sie den Chochebel ein.
 - Falls der Motor kalt oder die Umgebungstemperatur niedrig ist, den Chochebel vollständig schließen. (Abb. 8)
 - Falls der Motor warm oder die Umgebungstemperatur hoch ist, den Chochebel halb öffnen oder ganz offen halten.
 8. Den Startergriff sachte ziehen, bis ein gewisser Widerstand spürbar ist. Dann den Startergriff zurückführen und kräftig ziehen. Das Seil niemals vollständig herausziehen. Nachdem Sie den Startergriff gezogen haben, lassen Sie ihn niemals sofort los. Führen Sie den Startergriff langsam zu seiner Ausgangsstellung zurück. Falls sich der Motor schwer starten lässt, öffnen Sie den Gashebel um 1/3.
 9. Sobald der Motor anspringt, den Chochebel auf die Position OPEN stellen, falls er geschlossen war. (Abb. 9)
 10. Den Motor ausreichend warmlaufen lassen. Setzen Sie den Warmlaufbetrieb für 2 bis 3 Minuten in der Position "L" fort.

Motor laufen lassen:

Den Gashebel auf die Mittenstellung stellen und prüfen, ob Wasser aus dem Förderschlauch austritt.

Beenden des Betriebs

Abstellen des Motors

Den Gashebel auf die Position "L" stellen, um den Motor mit der niedrigsten Drehzahl zu betreiben.

Den I-O-Schalter (EIN/AUS) des Motors auf die Position "O" (AUS) stellen.

Ablassen von Wasser nach dem Gebrauch

Wasser im Pumpengehäuse gefriert im Winter bei Temperaturen unter 0°C, so dass die Pumpe möglicherweise beschädigt wird. Nach dem Gebrauch und vor der Lagerung Wasser von der Ablassöffnung an der Unterseite ablassen.

WARTUNGSVORSCHRIFTEN

⚠ WARNUNG:

- Bevor Sie irgendwelche Arbeiten am Gerät durchführen, stellen Sie stets den Motor ab. Keine Arbeiten bei noch heißem Motor durchführen.

⚠ VORSICHT:

- Den Motor während der Wartung nicht mit Wasser waschen.

MOTORÖLWECHSEL

⚠️ WARNUNG:

- Unmittelbar nach dem Abstellen sind Motor und Motoröl noch heiß. Lassen Sie dem Motor und Motoröl genügend Zeit zum Abkühlen. Anderenfalls kann es zu Hautverbrennungen kommen.

⚠️ VORSICHT:

- Vor dem Ölwechsel eine geeignete Methode zur Entsorgung des Altöls sicherstellen. Schütten Sie Altöl keinesfalls in die Kanalisation, auf den Gartenboden oder in offene Fließgewässer. Ihre lokalen Gebiets- oder Umweltvorschriften geben Ihnen ausführlichere Anweisungen über die sachgerechte Entsorgung. Gealtertes Motoröl verkürzt die Lebensdauer des Motors. Überprüfen Sie Ölqualität und Ölstand regelmäßig.

HINWEIS:

- Wird Öl über den Maximalpegel hinaus eingefüllt, kann das Öl verschmutzt werden oder Feuer fangen und weißen Rauch erzeugen. Nach dem Abstellen des Motors warten, bis das Motoröl in den Öltank zurückgelaufen ist, um eine genaue Ablesung des Ölstands zu gewährleisten.

Wechselintervall: Nach den ersten 20 Betriebsstunden, danach alle 50 Betriebsstunden.

Empfohlenes Öl: SAE 10W-30 Öl der API-Klasse SF oder höher (4-Takt-Motoröl für Automobile)

Ölmenge:

Für Modell EW1050H: Ca. 0,08 L

Für Modell EW1060H: Ca. 0,1 L

1. Den Ölmesstab entfernen. (**Abb. 10**)

Legen Sie den Ölmesstab an einem Ort ab, wo er nicht mit Schmutz, Staub oder anderen Fremdstoffen in Berührung kommen kann.

2. Decken Sie den Bereich um die Öleinfüllöffnung mit einem Lappen oder Papiertuch ab.
3. Den Ölmesstab entfernen, dann den Motor neigen und das Öl in eine Wanne oder einen anderen Behälter ablassen.
4. Das Gerät auf eine ebene Fläche stellen. Das Öl von einer Spritzflasche oder einem anderen geeigneten Behälter einfüllen. Das Öl einfüllen, bis es vom Einfüllstutzen überzulaufen beginnt. (**Abb. 4**)
5. Nachdem der Motor mit Öl gefüllt worden ist, den Ölmesstab wieder einsetzen. Sicherstellen, dass der Ölmesstab fest angezogen ist, weil sonst bei späterer Lockerung Öl ausläuft.

ÜBERPRÜFEN DER ZÜNDKERZE (**Abb. 11**)

⚠️ VORSICHT:

- Berühren Sie niemals den Zündkerzenstecker bei laufendem Motor (Hochspannungs-Stromschlaggefahr).

Reinigungs- und Überprüfungsintervall: Täglich (alle 10 Betriebsstunden)

- Verwenden Sie nur den mitgelieferten Universal Schlüssel zum Aus- oder Einbauen der Zündkerze.
- Der Elektrodenabstand der Zündkerze sollte 0,7 – 0,8 mm betragen.

Falls der Elektrodenabstand zu groß oder zu klein ist, muss er korrigiert werden. Falls die Zündkerze zugesetzt oder verschmutzt ist, muss sie gründlich gereinigt oder ausgewechselt werden.

REINIGEN DES LUFTFILTERS (**Abb. 12**)

⚠️ WARNUNG:

- Den Motor abstellen. Von offenen Flammen fern halten. Ein schmutziger Luftfiltereinsatz verursacht Startschwierigkeiten, Leistungsverlust und Motorstörungen und verkürzt die Lebensdauer des Motors erheblich. Halten Sie den Luftfiltereinsatz sauber.

Reinigungs- und Überprüfungsintervall: Täglich (alle 10 Betriebsstunden)

1. Den Chochebel auf die ganz geschlossene Position stellen, damit weder Staub noch Schmutz in den Vergaser eindringen können.
2. Die Befestigungsschraube der Luftfilterabdeckung entfernen.
3. Die Unterkante der Abdeckung herausziehen, um die Luftfilterabdeckung abzunehmen.
4. Den Einsatz herausnehmen und dann mit einer Lösung aus warmem Wasser und einem milden Reinigungsmittel reinigen. Anschließend gründlich trocknen lassen.
5. Den Einsatz zum Einsetzen auf die Linien ausrichten, wie in der Abbildung gezeigt.
6. Öl im Bereich um die Luftfilterabdeckung und Ventilationsöffnung mit einem Lappen abwischen.
7. Nach der Reinigung die Luftfilterabdeckung wieder anbringen, (zuerst den oberen, dann den unteren Zapfen einrasten), und die Befestigungsschraube anziehen.

REINIGEN DES KRAFTSTOFFFILTERS

⚠️ WARNUNG:

- Den Motor abstellen. Von offenen Flammen fern halten. Nicht rauchen.

Reinigungs- und Überprüfungsintervall: Monatlich (alle 50 Betriebsstunden)

Der Kraftstofffilter dient zum Filtern des dem Vergaser zugeführten Kraftstoffs. Eine regelmäßige Sichtprüfung des Kraftstofffilters ist durchzuführen.

1. Den Kraftstofftankdeckel öffnen, und den Saugkopf mit einem Drahthaken durch die Tanköffnung herausziehen.
2. Die Schlauchklemme entfernen, und den Kraftstofffilter aus der Kraftstoffleitung herausziehen.
3. Den Kraftstofffilter mit Petroleum waschen.
4. Nach dem Waschen wieder einbauen.
5. Falls der Filter hart oder zugesetzt ist, ersetzen Sie ihn durch einen neuen.

Wechseln Sie den Kraftstofffilter mindestens alle drei Monate aus, um einen ausreichenden Kraftstofffluss zum Vergaser zu gewährleisten. Anderenfalls kann unzureichende Kraftstoffzufuhr Startstörungen des Motors und eine begrenzte Maximaldrehzahl verursachen.

Nach dem Überprüfen, Reinigen oder Auswechseln den Kraftstofffilter mit der Schlauchklemme an der Kraftstoffleitung befestigen.

Den Kraftstofffilter bis zum Boden des Kraftstofftanks hindrücken. (**Abb. 13**)

AUSTAUSCH DER KRAFTSTOFFLEITUNG (**Abb. 14**)

⚠️ WARNUNG:

- Den Motor abstellen. Von offenen Flammen fern halten.

Reinigungs- und Überprüfungsintervall: Täglich (alle 10 Betriebsstunden)

Austausch: Jährlich (alle 200 Betriebsstunden)

Die Kraftstoffleitung ohne Rücksicht auf die Betriebsfrequenz jedes Jahr austauschen. Ein Kraftstoffleck kann zu einem Brand führen.

Falls während der Inspektion eine Undichtigkeit festgestellt wird, ist die Kraftstoffleitung unverzüglich auszutauschen.

ÜBERPRÜFUNG VON BOLZEN, MUTTERN UND SCHRAUBEN

- Lockere Schrauben, Muttern usw. nachziehen.
- Den Tankdeckel und Öldeckel auf festen Sitz überprüfen. Auf Kraftstoff- und Öllecks überprüfen.
- Beschädigte Teile für sicheren Betrieb durch neue ersetzen.

REINIGUNG DER TEILE

- Halten Sie den Motor durch Abwischen mit einem Lappen stets sauber.
- Halten Sie die Zylinderlamellen frei von Staub oder Schmutz. An den Lamellen haftender Staub oder Schmutz verursacht Kolbenfresser.

Tabelle des periodischen Wartungsplans

Betriebszeit			Vor dem Betrieb	Täglich (10 Std.)	50 Std.	200 Std.	Vor der Lagerung
Gegenstand							
Motoröl	Überprüfen/Nachfüllen	○					
	Austauschen				○*1		
Befestigungsteile (Schraube, Mutter)	Überprüfen	○					
Kraftstofftank	Reinigen/Überprüfen	○					
	Kraftstoff ablassen						○
Gashebel	Funktion überprüfen	○					
I-O-Schalter (EIN/AUS)	Funktion überprüfen	○					
Luftfilter	Reinigen			○			
Zündkerze	Überprüfen			○			
	Reinigen/Einstellen					○	
Kühlluftpassage und Zylinderlamellen	Reinigen/Überprüfen			○			
Kraftstoffleitung	Überprüfen			○			
	Austauschen					◎*2	
Kraftstofffilter	Reinigen/Austauschen				○		
Ventilspiel (Ein- und Auslassventil)	Überprüfen/Einstellen					◎*2	
Gegebenenfalls Motorüberholung						◎*2	
Vergaser	Kraftstoff ablassen						○
Pumpensatz	Reinigen			○			
Sieb	Überprüfen/Reinigen	○					

*1 Ersten Austausch nach 20 Betriebsstunden durchführen.

Vor dem Ölwechsel eine geeignete Methode zur Entsorgung des Altöls sicherstellen. Schütten Sie Altöl keinesfalls in die Kanalisation, auf den Gartenboden oder in offene Fließgewässer. Ihre lokalen Gebiets- oder Umweltvorschriften geben Ihnen ausführlichere Anweisungen über die sachgerechte Entsorgung.

*2 Beauftragen Sie eine Vertragswerkstatt mit der Inspektion nach den ersten 200 Betriebsstunden.

LAGERUNG

⚠️ WARNUNG:

- Vor dem Ablassen von Kraftstoff unbedingt den Motor abstellen und sicherstellen, dass er abgekühlt ist. Der Motor kann unmittelbar nach dem Abstellen noch heiß sein und möglicherweise Verbrennungen, Entzündung und Brand verursachen.

⚠️ VORSICHT:

- Soll das Gerät längere Zeit stillgelegt werden, den Kraftstoff restlos vom Kraftstofftank ablassen, und das Gerät an einem trockenen und sauberen Ort aufbewahren.

Vor der Lagerung

1. Wasser restlos durch die Ablassöffnung ablassen.
2. Den Startergriff am Motor sachte ziehen, bis Widerstand zu spüren ist.
3. Nach dem Ablassen des Kraftstoffs aus dem Kraftstofftank die Anlasspumpe drücken, bis kein Kraftstoff mehr aus der Kraftstoffleitung austritt. Den Kraftstoff noch einmal aus der Pumpe entfernen.
4. Den Gashebel auf die Position "L" stellen.
5. Schmutz oder Staub abwischen.
6. Die Pumpe an einem trockenen, warmen Ort lagern, wo keine Frostgefahr besteht.

Transportieren

Halten Sie zum Anheben und Transportieren der Maschine den Griff mit beiden Händen fest.

FEHLERSUCHE

Bevor Sie eine Reparatur anfordern, versuchen Sie zunächst, die Störungsursache selber ausfindig zu machen. Falls Sie eine Unregelmäßigkeit feststellen, kontrollieren Sie Ihre Maschine gemäß der Beschreibung in dieser Anleitung. Niemals Eingriffe vornehmen oder Teile ausbauen, die von der Beschreibung abweichen. Wenden Sie sich für Reparaturen an eine Vertragswerkstatt.

Störung	Ursache	Abhilfemaßnahme
Der Motor springt nicht an.	Anlasspumpe wurde nicht betätigt.	7- bis 10-mal drücken.
	Zu niedrige Zuggeschwindigkeit des Starterseils.	Kräftig ziehen.
	Kraftstoffmangel.	Kraftstoff zuführen.
	Zugesetzter Kraftstofffilter.	Reinigen.
	Abgetrennte Kraftstoffleitung.	Kraftstoffleitung einwandfrei anschließen.
	Verbotene Kraftstoffleitung.	Kraftstoffleitung begradigen.
	Verschlechterter Kraftstoff.	Verschlechterter Kraftstoff erschwert das Anlassen. Kraftstoff durch neuen ersetzen. (Empfohlenes Wechselintervall: 1 Monat)
	Übermäßige Kraftstoffansaugung.	Den Gashebel auf die mittlere oder die Position "H" stellen, und den Startergriff ziehen, bis der Motor anspringt. Falls der Motor noch immer nicht anspringt, die Zündkerze entfernen, die Elektroden abtrocknen, und die Teile wieder an ihrem ursprünglichen Platz einbauen. Dann vorschriftsmäßig starten.
	Losgelöster Kerzenstecker.	Einwandfrei anbringen.
	Verschmutzte Zündkerze.	Reinigen.
	Anormaler Elektrodenabstand.	Abstand einstellen.
	Sonstige Unregelmäßigkeit der Zündkerze.	Austauschen.
	Anormaler Vergaser.	Überprüfung und Wartung anfordern.
Starterseil lässt sich nicht ziehen.	Überprüfung und Wartung anfordern.	
Anormales Antriebssystem.	Überprüfung und Wartung anfordern.	

Motor bleibt sofort wieder stehen. Motordrehzahl nimmt nicht zu.	Unzureichender Warmlauf.	Warmlaufvorgang durchführen.
	Chokehebel wurde trotz warmgelaufenen Motors auf "CLOSE" gestellt.	Auf "OPEN" stellen.
	Zugesetzter Kraftstofffilter.	Reinigen.
	Verschmutzter oder zugesetzter Luftfilter.	Reinigen.
	Anormaler Vergaser.	Überprüfung und Wartung anfordern.
	Anormales Antriebssystem.	Überprüfung und Wartung anfordern.
Pumpe funktioniert nicht.	Flügelrad klemmt.	Wenden Sie sich bezüglich einer Reparatur an Ihre autorisierte Makita-Kundendienststelle.
Fördermenge ist gering.	Luft dringt auf der Ansaugseite ein.	Rohrleitungen auf der Ansaugseite überprüfen.
	Abfall der Motorleistung.	Wenden Sie sich bezüglich einer Reparatur an Ihre autorisierte Makita-Kundendienststelle.
	Beschädigung der Gleitringdichtung.	Dichtung austauschen.
	Große Saughöhe.	Saughöhe verringern.
	Schlauch zu dünn, zu lang oder geknickt.	Dickeren, kürzeren oder geraden Schlauch verwenden.
	Wasser läuft von Wasserdurchlass aus.	Leck abdichten.
	Verstopfung des Flügelrads mit Fremdstoff.	Wenden Sie sich bezüglich einer Reparatur an Ihre autorisierte Makita-Kundendienststelle.
	Verschleiß des Flügelrads.	Wenden Sie sich bezüglich einer Reparatur an Ihre autorisierte Makita-Kundendienststelle.
Pumpe führt keine Selbstansaugung durch.	Eindringen von Luft auf der Ansaugseite.	Rohrleitungen auf der Ansaugseite überprüfen.
	Unzureichende Anlasswassermenge im Pumpengehäuse.	Voll anlassen.
	Unzureichendes Anziehen des Ablasshahns.	Die 2 Schrauben vollständig anziehen.
	Mangelhafte Motordrehung.	Wenden Sie sich bezüglich einer Reparatur an Ihre autorisierte Makita-Kundendienststelle.
	Eindringen von Luft durch die Gleitringdichtung.	Dichtung austauschen.

Spiegazione della visione generale

1 Tappo fusibile (cicchetto)	13 Marmitta	25 Tappo fusibile (cicchetto)
2 Erogazione	14 Leva aria	26 Erogazione
3 Aspirazione	15 Manopola motorino avviamento	27 Aspirazione
4 Tappo (scarico)	16 Motorino avviamento contrac-	28 Filtro
5 Basamento pompa	colpo	29 Tubo (accessorio opzionale)
6 Maniglia	17 Oleometro	30 Oleometro
7 Coperchio candela	18 Base complesso	31 Livello superiore
8 Filtro aria	19 Leva gas	32 Livello inferiore
9 Tappo serbatoio	20 Guarnizione	33 Tappo serbatoio carburante
10 Serbatoio carburante	21 Accoppiatore tubo	34 Livello superiore
11 Pompa cicchetto	22 Dado ad alette	35 Serbatoio carburante
12 Interruttore I-O (accensione/ spegnimento)	23 Fascetta tubo	36 Tubo carburante
	24 Tubo	

Vi ringraziamo sentitamente per l'acquisto di questa pompa motore MAKITA. Siamo fieri di potervi raccomandare questa pompa motore MAKITA, che è il risultato di un lungo programma di sviluppo e di molti anni di conoscenze tecniche e di esperienza.

Vi preghiamo di leggere questo libretto che riporta in dettaglio i vari punti che ne dimostrano le sue eccezionali prestazioni. Ciò vi aiuterà a ottenere i risultati migliori possibili da questa pompa motore MAKITA.

SIMBOLI

Leggendo questo manuale di istruzioni bisogna tenere presente i simboli seguenti.



Leggere il manuale di istruzioni e osservare gli avvertimenti e le precauzioni per la sicurezza.



Prestare una particolare cura e attenzione.



Mai usare il motore in interni.



Non toccare il motore quando è caldo.



Non usare fiamme libere.



Controllare il livello dell'olio prima dell'avviamento.



Marchio CE

⚠ AVVERTIMENTO:

• LEGGERE E CAPIRE COMPLETAMENTE QUESTO MANUALE PRIMA DI FAR FUNZIONARE LA MACCHINA.

I simboli ⚠ seguenti rappresentano importanti informazioni per la sicurezza. Osservare sempre queste istruzioni. L'utilizzo scorretto della macchina può causare seri incidenti.

⚠ PERICOLO: La mancata osservanza delle istruzioni può causare la morte o gravi lesioni.

⚠ AVVERTIMENTO: La mancata osservanza delle istruzioni AVVERTIMENTO può causare gravi lesioni o la morte dell'operatore della macchina, di un astante o della persona che ispeziona o ripara la macchina.

⚠ PRECAUZIONE: PRECAUZIONE indica una precauzione speciale che deve essere presa per evitare lesioni personali e danni alla macchina.

NOTA: NOTA fornisce una informazione chiave per rendere le procedure più facili o chiare.

ISTRUZIONI PER LA SICUREZZA

- Questo manuale di istruzioni spiega l'utilizzo generale e le precauzioni per la macchina. Leggere attentamente questo manuale di istruzioni prima di far funzionare la macchina. Osservare strettamente le norme per la sicurezza.
- Conservare questo manuale di istruzioni in un posto sicuro per consultarlo in futuro. Nel caso che questo manuale di istruzioni venga perso o sia danneggiato, chiedere immediatamente la sua sostituzione in un centro di assistenza Makita.
- Nel caso che si presti o si dia la macchina ad altri, si deve sempre consegnare il manuale di istruzioni e altri materiali di informazione con la macchina.
- Per il nostro continuo programma di ricerca e sviluppo, i dati tecnici di questo prodotto sono soggette a modifiche senza avviso. Le illustrazioni o il contenuto di questo manuale potrebbero essere diversi dal prodotto reale.
- Per maggiori dettagli, se necessari, rivolgersi al rivenditore locale o a un Centro di Assistenza Makita autorizzato.

Scopo prefissato della macchina

Questa macchina è progettata soltanto per l'innaffiamento o per l'irrigazione dell'acqua.

Questa macchina deve essere usata soltanto per pompare acqua pulita.

PERICOLO:

- La macchina non deve essere modificata o alterata.
- La macchina non deve essere usata per uno scopo diverso da quello prefissato.
- Per la manutenzione e la riparazione, usare soltanto ricambi genuini e raccomandati.
- La mancata osservanza degli avvertimenti sopra potrebbe causare un grave danno alla macchina o lesioni personali serie.

PRECAUZIONI PER LO SCARICO

- Non si devono mai aspirare i gas di scarico. Essi contengono l'ossido di carbonio, un gas senza colore, odore, estremamente pericoloso, che può causare la perdita di conoscenza o la morte.
- Il motore non deve mai essere fatto funzionare in interni o in aree poco ventilate, come nei tunnel, cantine, ecc.
- Fare massimamente attenzione quando si usa la macchina vicino alle persone o gli animali.
- Mantenere il tubo di scarico libero da oggetti estranei.

PRECAUZIONI PER IL RIFORNIMENTO

- Arrestare sempre il motore prima del rifornimento.
- Non far straboccare il serbatoio del carburante.
- Se si sponde del carburante, asciugarlo con cura e aspettare che sia completamente asciutto prima di avviare il motore.
- Dopo il rifornimento, accertarsi che il tappo del carburante sia chiuso saldamente per evitare perdite.

PREVENZIONE DEGLI INCENDI

- Non far funzionare la macchina fumando o vicino a una fiamma viva.
- Non usare la macchina vicino a cespugli o rami secchi, stracci o altro materiale infiammabile.
- Tenere il motore ad almeno 1 metro di distanza dagli edifici o altre strutture.
- Tenere il motore lontano dagli infiammabili e altri materiali pericolosi (immondizia, stracci, lubrificanti, esplosivi).

Modello per l'Europa soltanto

Dichiarazione di conformità CE

Noi della Makita Corporation, quale produttore responsabile, dichiariamo che le macchine Makita seguenti:

Designazione della macchina: Pompa motore
Modello No./Tipo: EW1050H, EW1060H
Dati tecnici: vedere la tabella "DATI TECNICI"
sono prodotte in serie e

Sono conformi alle Direttive Europee seguenti:

2000/14/EC, 2006/42/EC, 2010/26/EU,
2004/108/EC, 2000/14/EC, 2005/88/EC

E sono fabbricate secondo gli standard o ai documenti standardizzati seguenti:

EN 809, EN 55012

La documentazione tecnica è reperibile presso la:

Makita International Europe Ltd.,
Assistenza tecnica,
Michigan Drive, Tongwell, Milton Keynes, Bucks
MK15 8JD, England

La procedura di determinazione della conformità richiesta dalla Direttiva 2000/14/CE è basata sull'allegato V.

Livello di potenza del suono misurato: 100,9 dB(A)
Livello di potenza del suono garantito: 109 dB(A)

31.8.2012

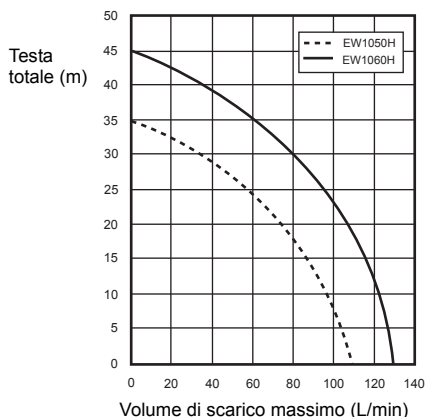


Tomoyasu Kato
Direttore
Makita Corporation
3-11-8, Sumiyoshi-cho,
Anjo, Aichi, JAPAN

DATI TECNICI

		EW1050H	EW1060H	
Peso	kg	5,8	7,3	
Dimensioni	mm	327 x 231 x 319	356 x 234 x 336	
Tipo		POMPA CENTRIFUGA ad avviamento automatico		
Diametri (aspirazione-scarico)	pollici	1		
Testa totale	m	35	45	
Volume di scarico massimo	L/min	110	130	
Sollevamento aspirazione massimo	m	8	8	
Volume (serbatoio carburante)	L	0,5	0,65	
Volume (serbatoio olio)	L	0,08	0,1	
Cilindrata motore	cm ³	24,5	33,5	
Prestazioni massime motore	kW	0,71 a 7.000 min ⁻¹	1,07 a 7.000 min ⁻¹	
Carburatore	tipo	Diaframma		
Sistema di accensione	tipo	Accensione stato solido		
Candela	tipo	NGK CMR6A		
Gioco elettrodo	mm	0,7 – 0,8		
Carburante		Benzina automobile		
Olio motore		Olio SAE 10W-30 di Classificazione API, Classe SF o superiore (motore a 4 tempi per automobili)		
Temperatura acqua applicabile	°C	5 – 40	5 – 40	
Livello di pressione suono	L _{pA eq}	dB (A)	88,4	88,4
	Incertezza K	dB (A)	3	3
Livello di potenza suono	L _{WA, d}	dB (A)	109	109

Nota: Mettere la protezione degli orecchi durante il funzionamento.



NOME DELLE PARTI (Fig. 1 e 2)

MONTAGGIO (Fig. 3)

⚠ AVVERTIMENTO:

- Prima di eseguire qualsiasi lavoro sulla macchina, arrestare sempre il motore.
- Avviare il motore soltanto dopo aver montato completamente la macchina.

INSTALLAZIONE DEL TUBO

1. Installare i giunti del tubo sulla pompa.

⚠ PRECAUZIONE:

- Quando si installa il giunto sulla pompa, accertarsi che la guarnizione sia in posizione.
2. Collegare i tubi sui giunti con la fascetta. Accertarsi che la fascetta sia stretta saldamente.
 3. Collegare il filtro sulla estremità del tubo di ingresso.

NOTA:

- Se c'è una perdita d'aria, l'acqua non può essere aspirata.

⚠ PRECAUZIONE:

- Non rimuovere il filtro, perché altrimenti oggetti estranei potrebbero danneggiare la pompa. Accertarsi che la fascetta sia stretta saldamente.

CONTROLLI PRIMA DEL FUNZIONAMENTO

⚠ AVVERTIMENTO:

- Prima di eseguire qualsiasi lavoro sulla macchina, arrestare sempre il motore. Lavorare sempre su una superficie piana e stabile.
- Prima di avviare il motore, controllare che non ci siano viti allentate o parti di collegamento staccate.
- Evitare di toccare il motore e la marmitta con una qualsiasi parte del corpo o dell'abbigliamento durante l'ispezione o la riparazione mentre sono caldi.
- Prestare una particolare attenzione alla ventilazione. Fare attenzione all'avvelenamento di ossido di carbonio.

ISPEZIONE E RIFORMIMENTO DELL'OLIO MOTORE (Fig. 4)

Osservare la procedura seguente con il motore a freddo.

- Accertarsi che il motore sia in posizione orizzontale.
- Non avvitare l'oleometro nel foro di rabbocco dell'olio per controllare il livello dell'olio.
- Controllare che il livello dell'olio sia tra il limite inferiore o superiore dell'oleometro.
- Aggiungere olio se il livello dell'olio è sotto il limite inferiore.
- Potrebbe essere necessario rabboccare l'olio ogni 10 ore circa di funzionamento (ogni 10 rifornimenti).
- Se l'olio cambia colore o contiene sporcizia, sostituirlo con altro nuovo.

Olio consigliato: Olio SAE 10W-30 di Classificazione API, Classe SF o superiore (motore a 4 tempi per automobili)

Volume olio:

Modello EW1050H: 0,08 l. circa

Modello EW1060H: 0,1 l. circa

NOTA:

- Se il motore non si trova in posizione orizzontale, si potrebbe ottenere una lettura del livello dell'olio sbagliata causando un rifornimento eccessivo dell'olio. Il rabbocco dell'olio oltre il limite superiore potrebbe causare la contaminazione dell'olio o fumo bianco.

Rifornimento dell'olio motore

1. Mantenere il motore in posizione orizzontale e staccare l'oleometro.
2. Rabboccare l'olio fino al segno del livello superiore. Usare la bottiglia dell'olio per il rabbocco.
3. Stringere saldamente l'oleometro. Il serraggio insufficiente potrebbe causare perdite d'olio.

Dopo il rabbocco dell'olio

- Asciugare immediatamente l'olio spanto con uno straccio.

Sostituzione dell'olio: Oleometro

- Togliere la polvere o lo sporco vicino al foro di rabbocco dell'olio.

- Mantenere l'oleometro esente dalla sabbia o dalla polvere quando è staccato. In caso contrario, la sabbia o la polvere sul tappo dell'olio potrebbero causare problemi per la circolazione irregolare dell'olio o l'usura delle parti del motore.

CARBURANTE

⚠ AVVERTIMENTO:

- Il carburante è altamente infiammabile e velenoso. Quando si maneggia il carburante, tenerlo lontano dalle fiamme nude (sigarette, stufe, fuochi d'artificio), scintille elettriche (batteria, corto circuito, scintille da un interruttore cortocircuitato, scintille di saldatura, ecc.).
- Accertarsi che il motore sia fermo prima del rifornimento del carburante. Non fare il rabbocco del carburante quando il motore è ancora caldo.
- Fare particolarmente attenzione anche quando non si esegue il rabbocco del carburante, anche quando lo si travasa in un recipiente più piccolo.
- Dopo il rabbocco, stringere saldamente il tappo del serbatoio del carburante e asciugare completamente il carburante spanto.

Maneggiamento del carburante

Il carburante deve essere maneggiato con la massima cura. Il carburante potrebbe contenere sostanze simili ai solventi. Il rabbocco deve essere eseguito in un ambiente sufficientemente ventilato o all'aria aperta. Non si devono mai aspirare i vapori del carburante, e tenere lontano da sé il carburante. Se si tocca ripetutamente o a lungo il carburante, la pelle potrebbe seccarsi causando una malattia cutanea o allergia. Se il carburante finisce negli occhi, sciacquarli con acqua fresca. Se l'irritazione degli occhi continua, rivolgersi a un medico.

Periodo di conservazione del carburante

Il carburante dovrebbe essere usato entro 4 settimane, anche se viene tenuto in un contenitore speciale in un'area ben ventilata e all'ombra.

In caso contrario, il carburante potrebbe deteriorarsi anche in un giorno.

Deposito della macchina e del serbatoio del carburante

- Tenere la macchina e il serbatoio in un posto fresco lontano dalla luce diretta del sole.
- Mai tenere il carburante nell'automobile.

Tipo di carburante:

Il motore è del tipo a 4 tempi. Accertarsi di usare benzina per automobili senza piombo di 87 ottani o più ((R+M)/2). Non deve contenere più del 10% di alcol (E-10).

- Mai usare una miscela di carburante che contiene olio motore. In caso contrario, potrebbe causare una accumulazione eccessiva di carbonio o problemi meccanici.

Capacità serbatoio carburante:

Modello EW1050H: 0,5 l.

Modello EW1060H: 0,65 l.

Rabbocco (Fig. 5)

1. Mantenere il motore in posizione orizzontale.
2. Allentare leggermente il tappo del serbatoio del carburante per scaricare la pressione del serbatoio.
3. Staccare il tappo del serbatoio del carburante e rabboccare. NON rabboccare finché il serbatoio è completamente pieno.
4. Dopo il rabbocco, chiudere saldamente il tappo del serbatoio del carburante.

- Asciugare l'esterno del serbatoio del carburante per evitare che nel serbatoio entrino scorie.
- Se il tappo del serbatoio del carburante è difettoso o danneggiato, sostituirlo.
- Il tappo del carburante si usura con il tempo. Sostituirlo ogni due o tre anni.
- NON immettere carburante nel foro di rabbocco dell'olio.

Acqua di cicchetto (Fig. 6)

⚠ PRECAUZIONE:

- Non avviare la pompa senza acqua nel basamento della pompa. In caso contrario, si potrebbe danneggiare il sigillo meccanico.

Togliere il tappo di cicchetto e aggiungere acqua fresca finché il basamento della pompa è pieno d'acqua. Dopo il rabbocco, stringere il tappo di cicchetto.

NOTA:

- Se l'ingresso dell'acqua non è sufficiente, la capacità di avviamento automatico si riduce.
- Accertarsi che la pompa sia sistemata in un posto stabile e il più vicino possibile a una fonte d'acqua.
- Quanto più è alta la testa di aspirazione, tanto più tempo è necessario per l'avviamento con uno scarico minore.

CONTROLLO DEL MOTORE:

- Controllare con cura che i tubi e i giunti del carburante non siano allentati e che non ci siano perdite di carburante. Le perdite di carburante creano una situazione di potenziale pericolo.
- Controllare che i bulloni e i dadi non siano allentati. Se lo sono, stringerli. Un bullone o dado allentato potrebbe causare un serio problema del motore.
- Controllare l'olio motore e rabboccare se necessario.
- Controllare il livello del carburante e rabboccare se necessario. Fare attenzione a non riempire eccessivamente il serbatoio.
- Tenere le alette del cilindro e il motorino di avviamento esenti da sporcizia, erba o altre scorie.
- Indossare un abbigliamento aderente quando si fa funzionare il motore.

FUNZIONAMENTO

⚠ AVVERTIMENTO:

- Mai toccare la marmitta del motore quando è calda, specialmente quando si riavvia il motore. La marmitta del motore diventa calda quando il motore è avviato.
- Non mettere le mani od oggetti estranei nelle valvole di scarico durante l'uso della pompa.

⚠ AVVERTIMENTO:

Fare attenzione al martellamento dell'acqua

- Evitare che la ruota di un veicolo passi sopra il tubo di scarico. Non chiudere improvvisamente la valvola di scarico, perché potrebbe causare il martellamento dell'acqua con un grave danneggiamento della pompa.

Avviamento:

⚠ PRECAUZIONE:

- Poiché l'olio lubrificante non si è ancora sparso sufficientemente, non riavviare il motore subito dopo che si è avviato. Gli alti giri inutili riducono la vita della macchina o causano danni.

1. Controllare che il basamento della pompa sia pieno d'acqua.

2. Controllare che il filtro sia sistemato sotto l'acqua.

⚠ PRECAUZIONE:

- Usare qualche metodo di prevenzione quando il fondo dell'acqua è coperto di fango o di sabbia.

3. Controllare che non ci siano ostacoli sulla bocca del tubo di scarico.

4. Spostare l'interruttore I-O (accensione/spegnimento) sulla posizione "I" (accensione).

5. Controllare che la leva del gas indichi "L". (Fig. 7)

6. Continuare a spingere la pompa di avviamento finché il carburante giunge nella pompa di avviamento. (In generale, da 7 a 10 spinte.)

7. Regolare la leva dell'aria.

- Se il motore è freddo o la temperatura ambiente è bassa, chiudere completamente la leva dell'aria. (Fig. 8)

- Se il motore è caldo o la temperatura ambiente è alta, aprire a metà la leva dell'aria o mantenerla completamente aperta.

8. Tirare delicatamente la manopola di avviamento finché si sente una certa resistenza. Rilasciare poi la manopola di avviamento e tirarla poi con forza. La fune non deve mai essere tirata al massimo.

Dopo aver tirato la manopola di avviamento, non staccare immediatamente la mano. Tenere la manopola di avviamento finché torna sulla sua posizione originale. Se l'avviamento del motore risulta difficoltoso, aprire l'acceleratore di circa 1/3.

9. Dopo l'avviamento del motore, regolare la leva dell'aria sulla posizione OPEN se è stata chiusa. (Fig. 9)

10. Lasciare "iscaldare" appropriatamente il motore. Continuare l'operazione di riscaldamento per 2 o 3 minuti sulla posizione "L".

Avviamento del motore:

Mettere la leva del gas sulla posizione di mezzo, e controllare che l'acqua esca dal tubo di scarico.

Operazione di finitura

Arresto del motore

Girare la leva del gas sulla posizione "L" per regolare i giri del motore più bassi.

Posizionare l'interruttore I-O (accensione/spegnimento) del motore sulla posizione "O" (spegnimento).

Scarico dell'acqua dopo l'uso

L'acqua dentro il basamento della pompa ghiaccia sotto gli 0°C in inverno, e la pompa potrebbe rompersi. Dopo l'uso, scaricare l'acqua dallo scarico sul fondo.

ISTRUZIONI PER LA MANUTENZIONE

⚠ AVVERTIMENTO:

- Prima di eseguire qualsiasi lavoro sulla macchina, arrestare sempre il motore. Non eseguire alcun intervento quando il motore è ancora caldo.

⚠ PRECAUZIONE:

- Non lavare il motore con acqua durante la manutenzione.

CAMBIO DELL'OLIO MOTORE

⚠ AVVERTIMENTO:

- Il motore e l'olio del motore sono ancora caldi subito dopo che si è arrestato il motore. Lasciare passare un tempo sufficiente per il raffreddamento del motore e dell'olio del motore. C'è altrimenti pericolo di bruciature.

⚠ PRECAUZIONE:

- Prima di cambiare l'olio, disfarsi del vecchio olio in modo appropriato. Non gettarlo nello scolo del lavabo, sul suolo del giardino o in flussi d'acqua all'aperto. Per le istruzioni più dettagliate per lo smaltimento appropriato vedere le istruzioni locali. L'olio motore deteriorato riduce la vita del motore. Accertarsi di controllare regolarmente l'olio e il suo livello.

NOTA:

- Se si rabbocca l'olio oltre il limite, potrebbe venire contaminato o incendiarsi con fumo bianco. Dopo l'arresto del motore, lasciare un tempo sufficiente affinché l'olio motore ritorni nel serbatoio dell'olio in modo da avere una lettura corretta del livello dell'olio.

Intervallo di sostituzione: Dopo 20 ore di funzionamento, e dopo ogni 50 ore di funzionamento.

Olio consigliato: Olio SAE 10W-30 di Classificazione API, Classe SF o superiore (motore a 4 tempi per automobili)

Volume olio:

Modello EW1050H: 0,08 l. circa

Modello EW1060H: 0,1 l. circa

1. Rimuovere l'oleometro. (Fig. 10)
Mettere l'oleometro in un posto che non sia contaminato da sporcizia, polvere o altre sostanze estranee.
2. Mettere un panno o un tovagliolo di carta inforno al foro di rabbocco dell'olio.
3. Rimuovere l'oleometro, inclinare il motore, e scaricare l'olio in una vaschetta o altro recipiente.
4. Mettere la macchina su una superficie piana. Versare l'olio da una bottiglia o altro mezzo appropriato. Rabboccare l'olio fino al punto di riempimento del collo di rabbocco. (Fig. 4)
5. Dopo il rabbocco dell'olio motore, reinserire l'oleometro. Accertarsi che l'oleometro sia fissato saldamente, perché altrimenti ci potrebbero poi essere perdite d'olio.

CONTROLLO DELLA CANDELA (Fig. 11)

⚠ PRECAUZIONE:

- Il connettore della candela non deve mai essere toccato mentre il motore è in moto (pericolo di scossa elettrica di alta tensione).

Intervallo di pulizia e di ispezione: Giornaliero (ogni 10 ore di funzionamento)

- Usare soltanto la chiave universale in dotazione per rimuovere o installare la candela.
- Il gioco tra i due elettrodi della candela deve essere di 0,7 – 0,8 mm.

Se il gioco è troppo grande o piccolo, bisogna regolarlo. Se la candela è inceppata o contaminata, pulirla completamente o sostituirla.

PULIZIA DEL FILTRO DELL'ARIA (Fig. 12)

⚠ AVVERTIMENTO:

- Spegnere il motore. Tenere lontano dalle fiamme nude. L'elemento di filtro dell'aria sporco causa difficoltà di avviamento, perdita di potenza, malfunzionamento del motore e una riduzione estrema della vita del motore. Mantenere pulito l'elemento del filtro dell'aria.

Intervallo di pulizia e di ispezione: Giornaliero (ogni 10 ore di funzionamento)

1. Mettere la leva dell'aria sulla sua posizione di chiusura completa in modo che nel carburatore non entrino polvere o sporcizia.
2. Rimuovere il bullone di fissaggio del coperchio del filtro dell'aria.
3. Tirare via il bordo inferiore del coperchio per rimuovere il coperchio del filtro dell'aria.
4. Rimuovere l'elemento, pulirlo con una soluzione di acqua calda e di un detergente leggero, e asciugarlo poi completamente.
5. Installarlo allineandolo con le linee mostrate nella illustrazione.
6. Togliere con un panno l'olio intorno al coperchio del filtro dell'aria.
7. Dopo la pulizia, rimettere a posto il coperchio del filtro (inserire prima l'appendice sulla parte superiore, e inserire poi l'appendice inferiore), e stringere il bullone di fissaggio.

PULIZIA DEL FILTRO DELL'ARIA

⚠ AVVERTIMENTO:

- Spegnere il motore. Tenere lontano dalle fiamme nude. Non fumare.

Intervallo di pulizia e di ispezione: Ogni mese (dopo ogni 50 ore di funzionamento)

Il filtro del carburante serve a filtrare il carburante necessario al carburatore. Bisogna eseguire una ispezione visiva periodica del filtro del carburante.

1. Aprire il tappo del serbatoio del carburante e usare il gancio di un filo per estrarre la testa di aspirazione dall'apertura del serbatoio.
2. Rimuovere la fascetta del tubo e tirare fuori il filtro del carburante dal tubo del carburante.
3. Lavare il filtro del carburante con cherosene.
4. Rimontarlo dopo averlo lavato.
5. Se il filtro è duro o intasato, sostituirlo con un altro nuovo.

Sostituire il filtro del carburante almeno ogni quattro mesi, in modo che il carburatore sia alimentato sufficientemente. In caso contrario, l'alimentazione insufficiente del carburatore potrebbe causare il malfunzionamento dell'avviamento del motore e limitare la velocità massima.

Dopo il controllo, la pulizia o la sostituzione, fissare il filtro del carburante al tubo del carburante con la fascetta del tubo.

Spingere dentro il filtro del carburante fino al fondo del serbatoio del carburante. (Fig. 13)

SOSTITUZIONE DEL TUBO DEL CARBURANTE (Fig. 14)

⚠ AVVERTIMENTO:

- Spegnere il motore. Tenere lontano dalle fiamme nude.

Intervallo di pulizia e di ispezione: Giornaliero (ogni 10 ore di funzionamento)

Sostituzione: Ogni anno (dopo ogni 200 ore di funzionamento)

Sostituire il tubo del carburante ogni anno, indipendentemente dalla frequenza di utilizzo. La perdita di carburante potrebbe causare un incendio.

Se durante l'ispezione viene rilevata una perdita, sostituire immediatamente il tubo del carburante.

ISPEZIONE DEI BULLONI, DADI E VITI

- Stringere di nuovo i bulloni, dadi allentati, ecc.
- Controllare il tappo del serbatoio del carburante e dell'olio siano stretti saldamente. Controllare che non ci siano perdite di carburante o di olio.
- Per un funzionamento sicuro, sostituire le parti danneggiate con altre nuove.

PULIZIA DELLE PARTI

- Mantenere sempre il motore pulito pulendolo con uno straccio.
- Mantenere le alette del cilindro esenti da polvere o sporco. La polvere o lo sporco attaccati alle alette potrebbe causare il grippaggio del motore.

Tabella di manutenzione periodica

Tempo di funzionamento Voce		Prima del funzionamento	Gionaliero (10 ore)	50 ore	200 ore	Prima del deposito
Olio motore	Ispezionare/fare rifornimento	○				
	Sostituire			○*1		
Serraggio delle parti (bulloni, dadi)	Ispezionare	○				
Serbatoio carburante	Pulire/ispezionare	○				
	Scaricare il carburante					○
Leva gas	Controllare il funzionamento	○				
Interruttore I-O (accensione/spegnimento)	Controllare il funzionamento	○				
Filtro aria	Pulire		○			
Candela	Ispezionare		○			
	Pulire/regolare				○	
Passaggio aria di raffreddamento e alette del cilindro	Pulire/ispezionare		○			
Tubo carburante	Ispezionare		○			
	Sostituire				◎*2	
Filtro carburante	Pulire/sostituire			○		
Gioco della valvola (valvola di aspirazione e valvola di scarico)	Ispezionare/regolare				◎*2	
Revisione del motore se necessario					◎*2	
Carburatore	Scaricare il carburante					○
Gruppo pompa	Pulire		○			
Filtro	Ispezionare/pulizia	○				

*1 Eseguire la sostituzione iniziale dopo 20 ore di operazioni.

Prima di cambiare l'olio, disfarsi del vecchio olio in modo appropriato. Non gettare nello scarico del giardino, nel suolo del giardino o nei fossi all'aperto. Per le istruzioni più dettagliate per lo smaltimento appropriato vedere le istruzioni locali o le norme ambientali.

*2 Per l'ispezione dopo 200 ore di funzionamento, rivolgersi a un centro di assistenza autorizzato.

DEPOSITO

⚠️ AVVERTIMENTO:

- Prima di scaricare il carburante, accertarsi di avere spento il motore e che esso si sia raffreddato. Subito dopo che si è spento il motore, esso potrebbe essere ancora caldo e potrebbe causare bruciature, la sua infiammabilità e un incendio.

⚠️ PRECAUZIONE:

- Se non si intende usare la macchina per un lungo periodo di tempo, scaricare tutto il carburante dal serbatoio e tenerla in un posto asciutto e pulito.

Prima del deposito

1. Rimuovere completamente tutta l'acqua dal foro di scarico.
2. Tirare delicatamente la maniglia di avviamento contraccollo sul motore finché si sente una resistenza.
3. Dopo avere scaricato il carburante da serbatoio del carburante, spingere la pompa cicchetto finché finisce il carburante nel tubo del carburante. Scaricare ancora una volta il carburante dalla pompa.
4. Mettere la leva del gas sulla posizione "L".
5. Togliere ogni sporco o polvere.
6. Immagazzinare la pompa in un luogo asciutto e caldo, dove non ci sia la possibilità che si formi del ghiaccio.

Trasporto

Per sollevare e trasportare la macchina, tenere saldamente il manico con entrambe le mani.

CORREZIONE DEI PROBLEMI

Prima di richiedere la riparazione, controllare da soli il problema. Se si riscontra un'anormalità, controllare la macchina come indicato in questo manuale. Non si deve mai alterare o smontare una parte qualsiasi in modo contrario a questo manuale. Per la riparazione, rivolgersi a un centro di assistenza autorizzato.

Problema	Causa	Rimedio
Il motore non parte.	La pompa cicchetto non funziona.	Spingere da 7 a 10 volte.
	Velocità bassa del tiro della fune di avviamento.	Tirare con forza.
	Mancanza di carburante.	Rifornire di carburante.
	Filtro del carburante intasato.	Pulirlo.
	Tubo del carburante staccato.	Collegare correttamente il tubo del carburante.
	Tubo del carburante storto.	Raddrizzare il tubo del carburante.
	Carburante deteriorato.	Il carburante deteriorato rende più difficile l'avviamento. Sostituire con nuovo carburante. (Sostituzione consigliata: 1 mese)
	Aspirazione eccessiva del carburante.	Regolare la leva del gas sulla posizione media o "H", e tirare la maniglia di avviamento finché il motore parte. Se il motore continua a non partire, rimuovere la candela, asciugare l'elettrodo e rimettere a posto come prima. Avviare poi come indicato.
	Tappo della candela staccato.	Attaccarlo saldamente.
	Candela contaminata.	Pulirlo.
	Gioco della candela anormale.	Regolare il gioco.
	Altra anormalità della candela.	Sostituirla.
	Carburatore anormale.	Richiedere l'ispezione e la manutenzione.
La fune del motorino di avviamento non può essere tirata.	Richiedere l'ispezione e la manutenzione.	
Sistema di avviamento anormale.	Richiedere l'ispezione e la manutenzione.	

Il motore si ferma subito. La velocità del motore non aumenta.	Riscaldamento insufficiente.	Eseguire l'operazione di riscaldamento.
	La leva dell'aria è posizionata su "CLOSE" anche se il motore è caldo.	Posizionarla su "OPEN".
	Filtro del carburante intasato.	Pulirlo.
	Filtro dell'aria contaminato o intasato.	Pulirlo.
	Carburatore anormale.	Richiedere l'ispezione e la manutenzione.
	Sistema di avviamento anormale.	Richiedere l'ispezione e la manutenzione.
La pompa non funziona.	La ventola è bloccata.	Chiedere la riparazione a un centro di assistenza Makita autorizzato locale.
Il volume di pompaggio è piccolo.	Entra aria nel lato di aspirazione.	Controllare la tubazione sul lato di aspirazione.
	Scadimento di potenza del motore.	Chiedere la riparazione a un centro di assistenza Makita autorizzato locale.
	Rottura del sigillo meccanico.	Sostituire la guarnizione.
	Sollevamento di aspirazione alto.	Ridurre il sollevamento di aspirazione.
	Tubo sottile, lungo o storto.	Ispessire o ridurre o raddrizzare.
	Perdita di acqua dal passaggio dell'acqua.	Arrestare la perdita.
	Intasamento di sostanze estranee nella ventola.	Chiedere la riparazione a un centro di assistenza Makita autorizzato.
	Usura della ventola.	Chiedere la riparazione a un centro di assistenza Makita autorizzato locale.
La pompa non si avvia automaticamente.	Aspirazione di aria sul lato di aspirazione.	Controllare la tubazione sul lato di aspirazione.
	Acqua di avviamento automatico insufficiente all'interno del basamento pompa.	Adescare completamente.
	Serraggio imperfetto del rubinetto di scarico.	Stringere completamente i 2 tappi.
	Rivoluzioni imperfette del motore.	Chiedere la riparazione a un centro di assistenza Makita autorizzato locale.
	Ingresso di aria dal sigillo meccanico.	Sostituire la guarnizione.

Uitleg van het totaaloverzicht

1 Dop (voor ontluichten)	14 Chokehendel	27 Aanzuigopening
2 Waterafvoerbuis	15 Startknop	28 Filter
3 Aanzuigopening	16 Trekstarter	29 Slang (optioneel accessoire)
4 Kraan (voor aftappen)	17 Oliepeilstokdop	30 Oliepeilstokdop
5 Pomphuis	18 Voetstuk	31 Hoogste peil
6 Handgreep	19 Gashendel	32 Laagste peil
7 Bougiedeksel	20 Pakkingsring	33 Brandstoftankdop
8 Luchtfilter	21 Slangkoppelstuk	34 Hoogste peil
9 Tankdop	22 Vleugelmoer	35 Brandstoftank
10 Brandstoftank	23 Slangklem	36 Brandstofleiding
11 Ontluchtingspomp	24 Slang	
12 I-O (aan/uit)-schakelaar	25 Dop (voor ontluichten)	
13 Geluiddemper	26 Waterafvoerbuis	

Hartelijk dank voor uw aankoop van de MAKITA motorpomp. Met trots presenteren we u deze MAKITA motorpomp, het resultaat van een gedegen ontwikkelingsprogramma op basis van vele jaren aan kennis en ervaring.

Lees a.u.b. dit boekje, dat een gedetailleerde beschrijving biedt van de diverse punten die van belang zijn voor de uitstekende prestaties. Aan de hand hiervan verkrijgt u de beste resultaten met uw MAKITA motorpomp.

SYMBOLLEN

Bij het doorlezen van deze handleiding zult u de volgende symbolen aantreffen.



Lees de gebruiksaanwijzing en neem alle waarschuwingen en veiligheidsvoorschriften in acht.



Wees voorzichtig en let goed op.



Gebruik de motorpomp nooit binnenshuis.



Raak de motor niet aan wanneer die heet is.



Geen open vuur!



Controleer het oliepeil voordat u de motor start.



CE-merk

⚠ WAARSCHUWING:

• LEES DEZE HANDLEIDING VOLLEDIG DOOR EN ZORG DAT U ALLES BEGRIJPT VOORDAT U HET APPARAAT IN GEBRUIK NEEMT.

De volgende ⚠ markeringen wijzen op belangrijke informatie voor uw veiligheid. Houd u altijd strikt aan deze aanwijzingen. Onjuist gebruik van het apparaat kan leiden tot ernstige ongelukken.

⚠ GEVAAR: Niet naleven van deze aanwijzingen kan leiden tot ernstig letsel of fatale afloop.

⚠ WAARSCHUWING: Veronachtzaming van deze WAARSCHUWINGEN kan leiden tot ernstig letsel of dood van de gebruiker, omstanders of personen die het apparaat inspecteren of repareren.

⚠ LET OP: Het bijschrift LET OP wijst op speciale voorzorgen die u moet treffen om persoonlijk letsel en schade aan het apparaat te voorkomen.

OPMERKING: Een OPMERKING bevat nuttige aanwijzingen voor een vlotte, eenvoudige bediening.

VEILIGHEIDSVOORSCHRIFTEN

- Deze gebruiksaanwijzing beschrijft de algemene bediening, toepassing en voorzorgen voor dit apparaat. Lees deze handleiding aandachtig door voordat u het apparaat in gebruik neemt. En neem de veiligheidsvoorschriften strikt in acht.
- Bewaar deze handleiding op een veilige plaats voor latere naslag. Mocht deze handleiding verloren gaan of onbruikbaar worden, vraagt u dan een bevoegde Makita onderhoudsdienst onverwijld om een nieuw exemplaar.
- Als u dit apparaat overdraagt of uitleent aan anderen, zorgt u dan dat de gebruiksaanwijzing en andere bijbehorende informatie er altijd bij inbegrepen is.
- Vanwege ons doorgaand onderzoek- en ontwikkelingsprogramma kunnen er wijzigingen zijn in de specificaties, zonder voorafgaande kennisgeving. De afbeeldingen of beschrijvingen in deze handleiding kunnen ietswat afwijken van het feitelijke product.
- Als u hulp nodig hebt of praktische aanwijzingen, neemt u dan contact op met uw plaatselijke handelaar of bevoegde Makita onderhoudsdienst.

Toepassing van het apparaat

Dit apparaat is uitsluitend bedoeld voor watertoevoer voor sproei- en irrigatiedoelinden.

Dit apparaat is alleen bestemd voor het pompen van schoon water.

⚠ GEVAAR:

- Breng in geen geval wijzigingen of aanpassingen aan in het apparaat.
- Gebruik het apparaat niet voor andere dan de voorgeschreven doeleinden.
- Gebruik voor onderhoud of reparatie alleen originele, goedgekeurde vervangingsonderdelen.
- Veronachtzaming van de bovenstaande waarschuwingen kan leiden tot lichamelijk letsel en ernstige schade aan het apparaat.

VOORZORGEN VOOR UITLAATGAS

- Adem nooit de uitlaatgassen in. Ze bevatten koolmonoxide, een kleurloos, geurloos en bijzonder gevaarlijk gas, dat bewusteloosheid en dood tot gevolg kan hebben.
- Laat de motor nooit binnenshuis draaien of in een slecht geventileerde omgeving zoals een tunnel, een grot e.d.
- Wees uiterst voorzichtig wanneer u het apparaat moet gebruiken in de buurt van personen of dieren.
- Zorg dat er geen voorwerpen of materialen in de uitlaatpijp komen.

VOORZORGEN VOOR HET BIJVULLEN VAN BRANDSTOF

- Zorg altijd dat de motor gestopt is, voordat u brandstof gaat bijvullen.
- Vul de brandstoftank niet overmatig bij.
- Als er brandstof gemorst is, veegt u die dan zorgvuldig weg en wacht tot alle resten zijn opgedroogd voordat u de motor start.
- Na het bijvullen dient u de brandstoftankdop stevig te sluiten, om lekkage te voorkomen.

TER VOORKOMING VAN BRAND

- Gebruik het apparaat niet terwijl u rookt of dichtbij open vuur bent.
- Gebruik het apparaat niet in de buurt van dorre bladen of takken, droge lappen of andere licht ontvlambare materialen.
- Zorg dat de motor tenminste 1 meter verwijderd is van gebouwen of andere structuren.
- Houd de motor uit de buurt van brandbare en andere gevaarlijke materialen (afval, textielresten, smeerolie, explosieven).

Alleen voor Europese landen

EU-verklaring van conformiteit

Wij, Makita Corporation, als de verantwoordelijke fabrikant, verklaren dat de volgende Makita-machine(s):

Aanduiding van de machine: Motorpomp
Modelnr./ Type: EW1050H, EW1060H
Specificaties: Zie de tabel met "TECHNISCHE GEDEVENS"

in serie zijn geproduceerd en

Voldoen aan de volgende Europese richtlijnen:

2000/14/EC, 2006/42/EC, 2010/26/EU,
2004/108/EC, 2000/14/EC, 2005/88/EC

En zijn gefabriceerd in overeenstemming met de volgende normen of genormaliseerde documenten:
EN 809, EN 55012

De technische documentatie wordt bewaard door:

Makita International Europe Ltd., Technische Afdeling,
Michigan Drive, Tongwell, Milton Keynes, Bucks
MK15 8JD, Engeland

De conformiteitsbeoordelingsprocedure vereist door Richtlijn 2000/14/EC was in overeenstemming met Annex V.

Gemeten geluidsvermogniveau: 100,9 dB(A)

Gegarandeerd geluidsvermogniveau: 109 dB(A)

31.8.2012

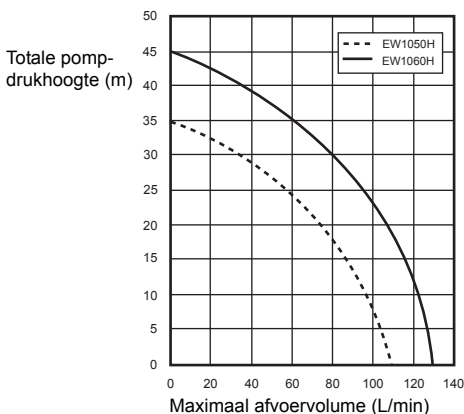


Tomoyasu Kato
Directeur
Makita Corporation
3-11-8, Sumiyoshi-cho,
Anjo, Aichi, JAPAN

TECHNISCHE GEGEVENS

		EW1050H	EW1060H
Gewicht	kg	5,8	7,3
Afmetingen	mm	327 x 231 x 319	356 x 234 x 336
Type		Zelfontluchtende CENTRIFUGAALPOMP	
Diameters (aanzuigopening - waterafvoerbuiss)	inch	1	
Totale pompdrukhoogte	m	35	45
Maximaal afvoervolume	L/min	110	130
Maximaal zuig- en hefvermogen	m	8	8
Inhoud (brandstoftank)	L	0,5	0,65
Inhoud (olietank)	L	0,08	0,1
Cilinderinhoud	cm ³	24,5	33,5
Maximaal motorvermogen	kW	0,71 bij 7 000 min ⁻¹	1,07 bij 7 000 min ⁻¹
Carburateur	type	Membraan	
Ontstekingssysteem	type	Elektronische ontsteking	
Bougie	type	NGK CMR6A	
Elektrodenafstand	mm	0,7 – 0,8	
Brandstof		Autobenzine	
Motorolie		SAE 10W-30 olie met API-classificatie Klasse SF of hoger (4-takt automotoren)	
Geschikte watertemperatuur	°C	5 – 40	5 – 40
Geluidsdruk-niveau	L _{pA eq}	dB (A)	88,4
	Onzekerheid K	dB (A)	3
Geluidsvermogen-niveau	L _{WA, d}	dB (A)	109

Opmerking: Draag oorbeschermers tijdens het gebruik.



OVERZICHT VAN DE ONDERDELEN (Fig. 1 en 2)

MONTAGE (Fig. 3)

⚠ WAARSCHUWING:

- Zorg altijd dat de motor gestopt is voordat u enig werk aan het apparaat gaat uitvoeren.
- Start de motor pas nadat u het apparaat weer volledig hebt gemonteerd.

SLANGEN VASTMAKEN

1. Maak de slangkoppelstukken aan de pomp vast.

⚠ LET OP:

- Let bij het aanbrengen van het slangkoppelstuk goed op dat de pakkingring op zijn plaats zit.
- 2. Zet de slangen met slangklemmen op de slangkoppelstukken vast.

Controleer vooral of de slangklem stevig is vastgezet.

3. Maak de filterzeef vast op het uiteinde van de inlaat-slang.

OPMERKING:

- Als er lucht binnenlekt, kan er geen water worden opgepompt.

⚠ LET OP:

- Verwijder de filterzeef niet, anders zou aangezogen materiaal de pomp kunnen beschadigen.
Controleer vooral of de slangklem stevig is vastgezet.

CONTROLEPUNTEN VOOR HET GEBRUIK

⚠ WAARSCHUWING:

- Zorg altijd dat de motor gestopt is voordat u enig werk aan het apparaat gaat uitvoeren. Gebruik het apparaat altijd op een vlakke, stabiele ondergrond.
- Controleer of er geen schroeven of verbindingen loszitten, voordat u de motor start.
- Raak tijdens inspectie of onderhoud de motor niet aan met enig lichaamsdeel of kledingstuk, zolang de motor nog heet is.
- Zorg vooral voor afdoende ventilatie. Wees op uw hoede voor koolmonoxidevergiftiging.

INSPECTIE EN BIJVULLEN VAN MOTOROLIE

(Fig. 4)

Verricht de volgende procedure nadat de motor is afgekoeld.

- Zorg dat de motor horizontaal waterpas staat.
- Verwijder de oliepeilstokop uit de opening om het oliepeil te controleren.
- Controleer op de oliepeilstok of het oliepeil tussen het hoogste en het laagste peil staat.
- Als het oliepeil tot onder het laagste peil is gedaald, vult u olie bij.
- Het bijvullen van olie kan nodig zijn om de ongeveer 10 gebruiksuren (elke 10 keer dat u brandstof bijvult).
- Als de olie van kleur is veranderd of als er vuil in is gekomen, vervangt u dan alle olie door nieuwe.

Aanbevolen olie: SAE 10W-30 olie met API-classificatie Klasse SF of hoger (4-takt automotoren)

Hoeveelheid olie:

Voor model EW1050H: Ca. 0,08 L

Voor model EW1060H: Ca. 0,1 L

OPMERKING:

- Als de motor niet precies horizontaal staat, kan de aanduiding van het oliepeil niet juist zijn en kunt u te veel olie bijvullen. Bijvullen van olie tot voorbij het hoogste peil kan leiden tot vervuiling van de olie en vrijkomen van witte rook.

Motorolie bijvullen

1. Zorg dat de motor horizontaal staat en verwijder de oliepeilstokop.
2. Vul olie bij tot aan de bovenste peilstreep. Verricht het bijvullen met een olieflas.
3. Draai de oliepeilstokop stevig vast. Als de vuldop niet stevig dicht zit, kan er olie uit lekken.

Na het olie bijvullen

- Verwijder eventuele gemorste olie onmiddellijk met een poetslap.

Olie verversen: Oliepeilstokop

- Verwijder stof of vuil rondom de olievlopening.

- Zorg dat de verwijderde oliepeilstokop vrij blijft van stof of zand. Anders kan het zand of stof dat aan de oliepeilstokop kleeft later problemen geven met onregelmatige olietoevoer of slijtage van de motoronderdelen.

BRANDSTOF

⚠ WAARSCHUWING:

- Brandstof is licht ontvlambaar en giftig. Blijf uit de buurt van open vuur (sigaret, gasvlam, vuurwerk), elektrische vonken (bougie, accucontact, elektrisch circuit of schakelaar waarin kortsluiting kan optreden, lasbrander e.d.) wanneer u met brandstof omgaat.
- Zet altijd eerst de motor af voordat u brandstof bijvult. Vul geen brandstof bij terwijl de motor nog heet is.
- Ook in andere situaties dan het bijvullen, zoals bijvoorbeeld bij het overgieten van brandstof in een klein flesje of tankje, dient u bijzonder voorzichtig te zijn.
- Na bijvullen draait u de brandstoftankdop stevig dicht en veegt u alle druppels gemorste brandstof zorgvuldig weg.

Omgang met brandstof

Wees altijd uiterst voorzichtig in uw omgang met brandstof. Brandstof kan stoffen bevatten die werken als oplosmiddelen. Het bijvullen van brandstof mag alleen verricht worden in een goed geventileerde ruimte of in de open lucht. Adem geen brandstofdampen in en houd de brandstof ver van u af. Als er regelmatig of langdurig brandstof op uw huid komt, kan die uitdrogen, hetgeen tot allergie en huidaanandoeningen kan leiden. Als er brandstof in uw ogen spat, wast u ze uit met volop schoon water. Als er daarna nog irritatie van uw ogen te voelen is, raadpleegt u dan een arts.

Opslagperiode van brandstof

Brandstof moet worden gebruikt binnen een periode van 4 weken, ook bij bewaren in een speciale opslagtank in een koele, goed geventileerde omgeving.

Anders kan de brandstof binnen een enkele dag al bederven.

Opslag van het apparaat en de bijvultank

- Bewaar het apparaat en de tank op een koele plaats zonder direct zonlicht.
- Bewaar de brandstof nooit in een auto.

Type brandstof:

Deze motor is een viertaktmotor. Gebruik gewone loodvrije autobenzine met een octaangetal van 87 of hoger ((R+M)/2). Deze mag niet meer dan 10% alcohol bevatten (E-10).

- Gebruik nooit mengsmering, of benzine met motorolie toegevoegd. Anders kan er overmatige koolstofafzetting plaatsvinden, met kans op mechanische storingen.

Inhoud van de brandstoftank:

Voor model EW1050H: 0,5 L

Voor model EW1060H: 0,65 L

Brandstof bijvullen (Fig. 5)

1. Zet de motor horizontaal waterpas.
2. Draai de brandstoftankdop een beetje los, om de overdruk uit de tank te laten.
3. Verwijder de brandstoftankdop en vul brandstof bij. VUL NOOIT brandstof bij tot aan de top van de tank.
4. Na bijvullen draait u de brandstoftankdop weer stevig dicht.

- Veeg de brandstoftankdop rondom aan de buitenkant schoon om te voorkomen dat er stof of gruis in de brandstoftank komt.
- Een brandstoftankdop die beschadigd of vervormd is, vervangt u door een nieuwe.
- De brandstoftankdop zal in de loop der jaren geleidelijk verslijten. Vervang de dop om de twee of drie jaar.
- GIET NOOIT brandstof in de oliëvuilopening.

Pomp ontluichten met water (Fig. 6)

⚠ LET OP:

- Start nooit de pomp zonder dat er water in het pomphuis zit. Anders kan de mechanische afdichting beschadigd worden.

Verwijder de ontluichtingsdop en giet schoon water in de opening totdat het pomphuis geheel gevuld is met water. Na het vullen draait u de ontluichtingsdop stevig dicht.

OPMERKING:

- Als er onvoldoende water aanwezig is, zal de zelfontluchtingscapaciteit afnemen.
- Zet de pomp op een stevige ondergrond, zo dicht mogelijk bij de bron van het te pompen water.
- Hoe groter de aanzuighoogte, des te langer zal de ontluchting duren, met een kleinere hoeveelheid uitstroming.

MOTOR INSPECTEREN:

- Controleer zorgvuldig de brandstofslangen en aansluitstukken op loszitten en lekkage van brandstof. Brandstoflekage kan ernstig gevaar veroorzaken.
- Controleer bouten en moeren op loszitten. Draai losse onderdelen stevig vast. Loszittende bouten of moeren kunnen ernstige motorstoringen veroorzaken.
- Controleer de motorolie en vul die zonedig bij.
- Controleer het brandstofpeil en vul zonedig brandstof bij. Let op dat u de tank niet overmatig vult.
- Houd de cilinderkoelvinnen en de trekstarter vrij van gras, aarde en ander vuil.
- Draag goed passende werkkleding bij de bediening van het apparaat.

BEDIENING

⚠ WAARSCHUWING:

- Raak nooit de hete geluiddemper aan, vooral bij het herstarten van de motor. De geluiddemper kan na het draaien van de motor erg heet zijn.
- Steek nooit uw handen of enig voorwerp in de afvoerkleppen wanneer de pomp in gebruik is.

⚠ WAARSCHUWING:

Pas op voor waterslag

- Zorg dat er geen wielen van voertuigen over de waterafvoerslang rijden. Sluit nooit plotseling de waterafvoerklep, want dat kan leiden tot waterslag in de leidingen, hetgeen ernstige schade aan de pomp kan veroorzaken.

Starten:

⚠ LET OP:

- Geef kort na het starten niet vol gas, want de olie zal dan nog niet de gehele motor gelijkmatig gesmeerd hebben. Onnodig hoge toerentallen verkorten de levensduur van de apparatuur en kunnen schade veroorzaken.

1. Controleer of het pomphuis geheel met water is gevuld.

2. Controleer of het filter zich onder water bevindt.

⚠ LET OP:

- Neem preventieve maatregelen als de bodem van het op te pompen water is bedekt met modder of zand.
3. Controleer of er geen obstakel is op het mondstuk van de waterafvoerslang.
 4. Draai de I-O (aan/uit)-schakelaar naar de "I" (aan)-stand.
 5. Controleer of de gasklephendel "L" aangeeft. (Fig. 7)
 6. Druk net zo vaak op de ontluichtingsknop totdat er brandstof in de ontluichtingspomp komt. (Meestal na 7 tot 10 maal drukken.)
 7. Stel de chokehendel in.
 - Als de motor koud is of de omgevingstemperatuur is erg laag, zet u de chokehendel helemaal dicht. (Fig. 8)
 - Als de motor warm is of de omgevingstemperatuur is erg hoog, open u de chokehendel halverwege of helemaal.
 8. Trek licht aan de startknop totdat u een zekere weerstand voelt. Vervolgens laat u de startknop terugkeren en dan geeft u er een stevige ruk aan. Trek het startkoord nooit helemaal uit. Na het trekken aan het startkoord kunt u de knop beter niet direct met uw hand loslaten. Houd de startknop vast totdat die vanzelf naar de uitgangsstand terugkeert. Als de motor moeilijk te starten is, zet u de chokehendel ongeveer 1/3 open.
 9. Wanneer de motor is gestart, zet u de chokehendel terug naar de OPEN-stand, als u de chokehendel dicht had gezet. (Fig. 9)
 10. Laat de motor naar behoren "warmdraaien". Laat het warmdraaien zo'n 2 tot 3 minuten doorgaan in de "L"-stand.

Motor laten draaien:

Draai de gasklephendel naar de middelste stand en controleer of er water uit de afvoerslang komt.

Werkning beëindigen

De motor stoppen

Draai de gasklephendel naar de "L"-stand om de motor terug te brengen naar het laagste toerental.

Draai de I-O (aan/uit)-schakelaar naar de "O" (uit)-stand.

Na gebruik het water aftappen

Als er water in het pomphuis achterblijft, kan het bij winterse temperaturen onder 0°C bevriezen en de pomp beschadigen. Na het gebruik dient u voor opslag eerst alle water via het aftapgat onderaan af te tappen.

ONDERHOUDSPROCEDURES

⚠ WAARSCHUWING:

- Zorg altijd dat de motor gestopt is voordat u enig werk aan het apparaat gaat uitvoeren. Verricht geen onderhoudswerk wanneer de motor nog heet is.

⚠ LET OP:

- Bij het onderhoud mag u de motor niet met water afspoelen.

MOTOROLIE VERVERSEN

⚠ WAARSCHUWING:

- Direct na afzetten van de motor blijven de motor en de motorolie nog even heet. Wacht daarom even om de motor en de motorolie te laten afkoelen. Anders loopt u de kans op brandwonden.

⚠ LET OP:

- Zorg voordat u de olie gaat verversen dat u de afgeverkte olie veilig kunt wegdoen. Giet geen olie in een goot of afvoerputje, over tuinaarde of in open water. Volg uw plaatselijke milieuvorschriften voor de beste wijze om afgewerkte olie weg te doen. Doordraaien met olie die te oud is, kan de levensduur van de motor aantasten. Controleer regelmatig het oliepeil en de toestand van de olie.

OPMERKING:

- Als de olie tot boven de voorgeschreven grens wordt bijgevoerd, kan die vervuild raken of ontbranden, met witte rook. Wacht na afzetten van de motor even met inspectie van het oliepeil totdat alle motorolie naar de tank is teruggekeerd, voor een juiste aflezing.

Verversingsinterval: Na de eerste 20 gebruiksuren en daarna om de 50 gebruiksuren.

Aanbevolen olie: SAE 10W-30 olie met API-classificatie Klasse SF of hoger (motorolie voor 4-takt automotoren)

Hoeveelheid olie:

Voor model EW1050H: Ca. 0,08 L

Voor model EW1060H: Ca. 0,1 L

1. Verwijder de oliepeilstokdop. (Fig. 10)

Let op dat u de oliepeilstokdop neerlegt op een plaats waar er geen vuil, stof of ander materiaal op kan komen.

2. Leg een lap of stuk papier rondom de olievlopening.
3. Na het uitnemen van de oliepeilstokdop kantelt u de motor en laat u de olie weglopen in een oliepan of opvangbak.
4. Plaats het apparaat op een vlakke bodem. Giet olie in de vulopening met een oliespuit of andere geschikte spuitfles. Vul bij met olie tot die bijna over de rand van de vulhals stroomt. (Fig. 4)
5. Na het vullen van de tank met olie, brengt u de oliepeilstokdop weer aan. Draai de oliepeilstokdop stevig dicht, anders kan die losstrillen, met kans op olielekage.

BOUGIE INSPECTEREN (Fig. 11)

⚠ LET OP:

- Raak nooit de bougieaansluiting aan wanneer de motor loopt (anders kunt u een gevaarlijke elektrische schok krijgen).

Interval voor onderhoud en inspectie: Dagelijks (elke 10 gebruiksuren)

- Gebruik alleen de bijgeleverde universeelseleutel voor het verwijderen en weer aanbrengen van de bougie.
- De vonkbrug tussen de twee elektroden van de bougie moet 0,7 – 0,8 mm bedragen.

Als de elektrodenafstand te breed of te smal is, corrigeert u die dan. Als de bougie aangekoekt of vervuild is, reinigt u die grondig of vervangt u de bougie.

LUCHTFILTER REINIGEN (Fig. 12)

⚠ WAARSCHUWING:

- Zet de motor af. Blijf uit de buurt van open vuur. Als het luchtfilter vuil is, kan dat leiden tot startproblemen, afnemend vermogen en motorstoringen en kan het de levensduur van de motor drastisch verkorten. Houd het luchtfilter steeds goed schoon.

Interval voor onderhoud en inspectie: Dagelijks (elke 10 gebruiksuren)

1. Zet de chokehendel helemaal dicht, zodat er geen stof of vuil in de carburateur kan komen.
2. Verwijder de bevestigingsbout van het luchtfilterdeksel.
3. Trek de onderrand van het deksel los om het luchtfilterdeksel te verwijderen.
4. Verwijder het filterelement en reinig het met een sopje van warm water en een mild wasmiddel, om het daarna zorgvuldig af te drogen.
5. Breng het filter weer aan volgens de lijnen, zoals aangegeven in de afbeelding.
6. Veeg met een lap alle olie die aankleeft rondom het luchtfilterdeksel en de ventilatiesleuven weg.
7. Breng na het reinigen het luchtfilterdeksel weer aan (steek de nok aan de bovenkant eerst in en dan de onderste nok) en draai dan de bevestigingsbout vast.

BRANDSTOFFILTER REINIGEN

⚠ WAARSCHUWING:

- Zet de motor af. Blijf uit de buurt van open vuur. Niet roken a.u.b.

Interval voor onderhoud en inspectie: Maandelijks (elke 50 gebruiksuren)

Het brandstoffilter dient om te zorgen dat de brandstof schoon in de carburateur komt. U dient regelmatig het brandstoffilter visueel te inspecteren.

1. Open de brandstoftankopen en gebruik een draadhaak om de zuigkop door de tankopening omhoog te halen.
2. Verwijder de slangklem en trek het brandstoffilter uit de brandstofleiding.
3. Spoel het brandstoffilter uit met petroleum.
4. Na het uitspoelen monteert u het weer.
5. Als het filter aangekoekt of verstopt is geraakt, vervangt u het door een nieuw.

Vervang het brandstoffilter tenminste eens per kwartaal, om te zorgen voor een goede brandstoftoevoer naar de carburateur. Als de brandstoftoevoer onvoldoende wordt, kan dat startproblemen veroorzaken en het maximale toerental verminderen.

Na inspectie, reinigen of vervangen, maakt u het brandstoffilter weer met de slangklem vast op de brandstofleiding.

Duw het brandstoffilter helemaal naar binnen tot op de bodem van de brandstoftank. (Fig. 13)

BRANDSTOFLEIDING VERVANGEN (Fig. 14)

⚠ WAARSCHUWING:

- Zet de motor af. Blijf uit de buurt van open vuur.

Interval voor onderhoud en inspectie: Dagelijks (elke 10 gebruiksuren)

Vervangen: Jaarlijks (elke 200 gebruiksuren)

Vervang de brandstofleiding elk jaar, ongeacht hoe vaak u het apparaat gebruikt. Brandstoflekage kan brandgevaar opleveren.

Als u tijdens inspectie tekenen van brandstoflekage opmerkt, vervangt u de brandstofleiding dan onmiddellijk.

BOUTEN, MOEREN EN SCHROEVEN INSPECTEREN

- Draai loszittende bouten, moeren e.d. vast.
- Controleer of de brandstoftankdop en de olietankdop stevig dicht zitten. Controleer op brandstof- of olielekage.
- Vervang beschadigde onderdelen door nieuwe, voor een veilige werking.

ONDERDELEN RENIGEN

- Houd de motor altijd schoon door die met een lap af te vegen.
- Houd de cilinderkoelvinnen vrij van vuil en stof. Stof of vuil dat aan de vinnen kleeft kan op den duur de zuiger doen vastlopen.

Periodiek onderhoudsschema

Onderdeel	Gebruiksduur		Voor elk gebruik	Dagelijks (10 uren)	50 uren	200 uren	Voor opslag
Motorolie	Inspecteren/bijvullen		○				
	Vervangen				○*1		
Bevestigingsdelen (bouten, moeren)	Inspecteren		○				
Brandstoftank	Reinigen/inspecteren		○				
	Brandstof aftappen						○
Gashendel	Werking controleren		○				
I-O (aan/uit)-schakelaar	Werking controleren		○				
Luchtfilter	Reinigen			○			
Bougie	Inspecteren			○			
	Reinigen/afstellen					○	
Ventilatiesleuven en cilinderkoelvinnen	Reinigen/inspecteren			○			
Brandstofleiding	Inspecteren			○			
	Vervangen					◎*2	
Brandstoffilter	Reinigen/vervangen				○		
Klepspeling (inlaatklep en uitlaatklep)	Inspecteren/afstellen					◎*2	
Motor reviseren indien nodig						◎*2	
Carburateur	Brandstof aftappen						○
Pompwerk	Reinigen			○			
Filter	Inspecteren/reinigen		○				

*1 Verricht het eerste verversen na het 20ste gebruiksuur.

Zorg voordat u de olie gaat verversen dat u de afgewerkte olie veilig kunt wegdoen. Giet geen olie in een goot of afvoerputje, over tuinaarde of in open water. Volg uw plaatselijke milieuvoorschriften voor de beste wijze om afgewerkte olie weg te doen.

*2 Laat de inspectie na 200 gebruiksuren verrichten bij een bevoegde onderhoudsdienst.

OPSLAG

⚠ WAARSCHUWING:

- Voor het aftappen van de brandstof dient u de motor af te zetten en te wachten tot die is afgekoeld. Direct na het afzetten van de motor kan die nog erg heet zijn, met gevaar voor brand, schroeiplekken of brandwonden.

⚠ LET OP:

- Wanneer u het apparaat voorlopig niet meer gebruikt, laat u alle brandstof uit de brandstoftank weglopen en berg u het apparaat op in een droge, schone omgeving.

Voor opslag

- Laat alle water via de aftapopening weglopen.

- Trek licht aan de handgreep van de trekstarter totdat u weerstand voelt.
- Na het verwijderen van de brandstof uit de brandstoftank drukt u op de knop van de ontluichtingspomp totdat er brandstof uit de brandstofleiding loopt. Verwijder nogmaals de brandstof uit de pomp.
- Zet de gashendel in de "L"-stand.
- Veeg alle stof en vuil weg.
- Berg de pomp op in een droge, warme omgeving, waar geen risico van bevriezen bestaat.

Verplaatsen

Om de machine op te tillen voor verplaatsing of vervoer dient u de handgreep met beide handen stevig vast te pakken.

STORINGEN VERHELPEN

Voordat u de hulp van een reparateur inroept, kunt u storingen zelf opsporen en verhelpen. Als er iets niet naar behoren werkt, bedient u het apparaat dan eerst volgens de beschrijving in deze handleiding. Maak nooit afstellingen en demonteer nooit onderdelen waarvoor deze handleiding geen aanwijzingen biedt. Neem voor reparatie contact op met een bevoegde onderhoudsdienst.

Storing	Oorzaak	Oplossing
De motor start niet.	De ontluichtingspomp is niet eerst gestart.	7 tot 10 maal drukken.
	Te zacht aan het startkoord getrokken.	Geef een hardere ruk aan het startkoord.
	Te weinig brandstof.	Brandstof bijvullen.
	Brandstoffilter verstopt.	Filter schoonmaken.
	Brandstofleiding losgeraakt.	Brandstofleiding steviger aansluiten.
	Brandstofleiding verbogen.	Buig de brandstofleiding recht.
	Vervuilde of bedorven brandstof.	Brandstof die te oud of vuil is, kan het starten bemoeilijken. Vervang de brandstof door nieuwe. (Aanbevolen verversingstijd: 1 maand)
	Te veel brandstof aangezogen.	Zet de gasklephendel in de middelste of "H"-stand en trek aan de greep van de trekstarter totdat de motor start. Als de motor nog steeds niet start, verwijdert u de bougie, veegt u de elektroden droog en brengt u de bougie weer op zijn plaats. Vervolgens start u volgens de aanwijzingen.
	Losgeraakte bougiepod.	Stevig vastmaken.
	Vervuilde bougie.	Filter schoonmaken.
	Onjuiste elektrodenafstand van de bougie.	Elektrodenafstand bijstellen.
	Andere afwijkingen van de bougie.	Bougie vervangen.
	Slecht werkende carburateur.	Verzoek een reparateur om inspectie en onderhoud.
Het startkoord kan niet worden uitgetrokken.	Verzoek een reparateur om inspectie en onderhoud.	
Iets mis met de aandrijving.	Verzoek een reparateur om inspectie en onderhoud.	

Snel afslaaende motor. Motortoerental neemt niet toe.	Onvoldoende warmgedraaid.	Laat de motor langer warmdraaien.
	De chokehendel staat in de "CLOSE"-stand, ook al is de motor al warmgedraaid.	Stel in op "OPEN".
	Brandstoffilter verstopt.	Filter schoonmaken.
	Vervuild of verstopt luchtfilter.	Filter schoonmaken.
	Slecht werkende carburateur.	Verzoek een reparateur om inspectie en onderhoud.
	Iets mis met de aandrijving.	Verzoek een reparateur om inspectie en onderhoud.
De pomp werkt niet.	Vastgeraakte pompstuwder.	Verzoek uw plaatselijke Makita onderhoudsdienst om reparatie.
Het pompvolume is erg gering.	Er wordt lucht aangezogen.	Controleer de leidingen aan de aanzuigkant.
	Afnemend motorvermogen.	Verzoek uw plaatselijke Makita onderhoudsdienst om reparatie.
	Mechanische afdichting verbroken.	Pakking vervangen.
	Te grote zuig- en hefhoogte.	Zuig- en hefhoogte verminderen.
	Te dunne, lange of geknikte slang.	Kies een dikkere of kortere slang of haal de knik er uit.
	Water lekt ergens uit de waterleiding.	Verhelp de lekkage.
	Pompstuwder verstopt door binnengerookt materiaal.	Verzoek uw plaatselijke Makita onderhoudsdienst om reparatie.
	Versleten pompstuwder.	Verzoek uw plaatselijke Makita onderhoudsdienst om reparatie.
Zelfontluchting van de pomp werkt niet.	Er wordt lucht aangezogen.	Controleer de leidingen aan de aanzuigkant.
	Onvoldoende water voor ontluchting in het pomphuis.	Meer volledig ontluchten.
	Onvoldoende dichtgedraaide aftapkraan.	Draai de ontluchtingsdop en de aftapkraan stevig dicht.
	Niet goed draaiende motor.	Verzoek uw plaatselijke Makita onderhoudsdienst om reparatie.
	Lucht lekt binnen via de mechanische afdichting.	Pakking vervangen.

Explicación de los dibujos

1 Tapón (cebado)	13 Silenciador	27 Aspiración
2 Descarga	14 Palanca de estrangulación	28 Alcachofa de aspiración
3 Aspiración	15 Manija de arranque	29 Manguera (accesorio opcional)
4 Tapón (drenaje)	16 Arrancador de retroceso	30 Indicador del nivel de aceite
5 Caja de la bomba	17 Indicador del nivel de aceite	31 Nivel superior
6 Agarradera	18 Base de asiento	32 Nivel inferior
7 Tapa de la bujía	19 Palanca de aceleración	33 Tapón del depósito de combustible
8 Filtro de aire	20 Empaquetadura	34 Nivel superior
9 Tapón del depósito de combustible	21 Acoplador de manguera	35 Depósito de combustible
10 Depósito de combustible	22 Tuerca de mariposa	36 Tubo de combustible
11 Cebador	23 Abrazadera de manguera	
12 Interruptor I-O (Encender/Apagar)	24 Manguera	
	25 Tapón (cebado)	
	26 Descarga	

Muchas gracias por adquirir la bomba a motor MAKITA. Nos complace recomendarle la bomba a motor MAKITA que es el resultado de un largo programa de desarrollo y muchos años de conocimiento y experiencia. Lea este folleto para conocer en detalle los diferentes puntos que demuestran su extraordinario rendimiento. Además le ayudará a sacarle el mejor partido posible a su bomba a motor MAKITA.

SÍMBOLOS

Cuando lea el manual de instrucciones encontrará los símbolos siguientes.



Lea el manual de instrucciones y siga las advertencias e instrucciones de seguridad.



Preste cuidado y atención especiales.



No utilice nunca el motor en interiores.



No toque el motor cuando esté caliente.



No la acerque a llamas.



Compruebe el nivel de aceite antes de arrancar.



Marca CE

⚠️ ADVERTENCIA:

• POR FAVOR, LEA Y ENTIENDA ESTE MANUAL COMPLETAMENTE ANTES DE UTILIZAR LA MÁQUINA.

Los símbolos siguientes ⚠️ representan información de seguridad importante. Observe siempre esas instrucciones. Una utilización incorrecta del equipo podrá resultar en accidentes graves.

⚠️ PELIGRO: El no observar las instrucciones podrá resultar en la muerte o heridas graves.

⚠️ ADVERTENCIA: El no seguir las instrucciones de ADVERTENCIA podrá resultar en heridas graves o la muerte del operario de la máquina, de un transeúnte, o de la persona que inspeccione o repare la máquina.

⚠️ PRECAUCIÓN: Una PRECAUCIÓN indica precauciones especiales que deberán tomarse para evitar heridas personales y daños a la máquina.

NOTA: Una NOTE ofrece información clave para facilitar o clarificar los procedimientos.

INSTRUCCIONES DE SEGURIDAD

- Este manual de instrucciones explica el uso y las precauciones generales para el equipo. Lea este manual de instrucciones atentamente antes de poner en funcionamiento el equipo. Y observe estrictamente las normas de seguridad.
- Guarde este manual de instrucciones en un lugar seguro para poder consultarlo más tarde. En caso de que este manual de instrucciones se pierda o dañe, pida al centro de servicio autorizado de Makita que se lo reemplace inmediatamente.
- Cuando preste o regale el equipo a otra gente, entregue siempre el manual de instrucciones y otros materiales informativos junto con el equipo.
- Debido a nuestro continuado programa de investigación y desarrollo, las especificaciones del producto están sujetas a cambio sin previo aviso. Las ilustraciones y el contenido en este manual podrán variar del producto real.

- Si necesita asistencia para obtener más detalles, pregunte al distribuidor o centro de servicio autorizado de Makita local.

Uso previsto para la máquina

Este equipo ha sido previsto solamente para regar e irrigar con agua.
Este equipo se debe utilizar para bombear solamente agua clara.

PELIGRO:

- No realice modificaciones ni alteraciones al equipo.
- No utilice el equipo para otras operaciones distintas al uso previsto.
- Utilice solamente piezas de repuesto homologadas genuinas para el mantenimiento y las reparaciones.
- El no seguir las advertencias de arriba podrá ocasionar daños graves al equipo o heridas personales.

PRECAUCIONES PARA CON LOS GASES DE ESCAPE DEL MOTOR

- No inhale nunca los gases de escape del motor. Contienen monóxido de carbono, un gas incoloro e inodoro y extremadamente peligroso que puede ocasionar pérdida del conocimiento o la muerte.
- No utilice nunca el motor en interiores ni en un área mal ventilada, tal como en un túnel, cueva, etc.
- Tenga siempre mucho cuidado cuando utilice el motor cerca de gente o animales.
- Mantenga el tubo de escape libre de objetos extraños.

PRECAUCIONES PARA REPOSTAR

- Asegúrese de parar el motor antes de repostar.
- No llene demasiado el depósito de combustible.
- Si derrama combustible, límpielo con cuidado y espere hasta que el combustible se haya secado antes de arrancar el motor.
- Después de repostar, asegúrese de que el tapón del depósito de combustible está bien cerrado para evitar derrames.

PREVENCIÓN DE INCENDIOS

- No utilice el equipo mientras esté fumando ni cerca de llamas expuestas.
- No utilice el equipo cerca de arbustos secos, leña menuda, trapos, ni otros materiales inflamables.
- Mantenga el motor alejado 1 metro por lo menos de edificios u otras estructuras.
- Mantenga el motor alejado de materiales inflamables y otros materiales peligrosos (basura, trapos, lubricantes, explosivos).

Para países europeos solamente

Declaración de conformidad EC

Makita Corporation como fabricante responsable declara que la(s) siguiente(s) máquina(s) Makita:

Designación de máquina:
Bomba de Motor a Gasolina
Modelo N.º/Tipo: EW1050H, EW1060H
Especificaciones: consulte la tabla "DATOS TÉCNICOS"

son producidas en serie y

Cumplen con las directivas europeas siguientes:

2000/14/EC, 2006/42/EC, 2010/26/EU,
2004/108/EC, 2000/14/EC, 2005/88/EC

Y que están fabricadas de acuerdo con las normas o documentos normalizados siguientes:

EN 809, EN 55012

Los documentos técnicos los guarda:

Makita International Europe Ltd.,
Departamento técnico,
Michigan Drive, Tongwell, Milton Keynes, Bucks
MK15 8JD, Inglaterra

El procedimiento de valoración de conformidad requerido por la Directiva 2000/14/EC ha sido realizado de acuerdo con el anexo V.

Nivel de potencia de sonido medido: 100,9 dB(A)

Nivel de potencia de sonido garantizado: 109 dB(A)

31.8.2012



Tomoyasu Kato
Director
Makita Corporation
3-11-8, Sumiyoshi-cho,
Anjo, Aichi, JAPAN

DATOS TÉCNICOS

		EW1050H	EW1060H	
Peso	kg	5,8	7,3	
Dimensiones	mm	327 x 231 x 319	356 x 234 x 336	
Tipo		BOMBA CENTRÍFUGA de cebado automático		
Diámetros (aspiración-descarga)	pulgadas	1		
Altura de elevación total	m	35	45	
Volumen de descarga máximo	L/min	110	130	
Elevación de aspiración máxima	m	8	8	
Volumen (depósito de combustible)	L	0,5	0,65	
Volumen (depósito de aceite)	L	0,08	0,1	
Cilindrada del motor	cm ³	24,5	33,5	
Rendimiento máximo del motor	kW	0,71 a 7.000 min ⁻¹	1,07 a 7.000 min ⁻¹	
Carburador	tipo	Diafragma		
Sistema de ignición	tipo	Ignición de estado sólido		
Bujía	tipo	NGK CMR6A		
Holgura entre electrodos	mm	0,7 – 0,8		
Combustible		Gasolina de automóviles		
Aceite de motor		Aceite SAE 10W-30 de clasificación API, Clase SF o superior (aceite de 4 tiempos para automóviles)		
Temperatura de agua aplicable	°C	5 – 40	5 – 40	
Nivel de presión del sonido	L _{pA eq}	dB (A)	88,4	88,4
	Error K	dB (A)	3	3
Nivel de potencia del sonido	L _{WA, d}	dB (A)	109	109

Nota: Póngase protección para oídos durante la utilización.

DESIGNACIÓN DE PARTES (Fig. 1 y 2)

MONTAJE (Fig. 3)

⚠ ADVERTENCIA:

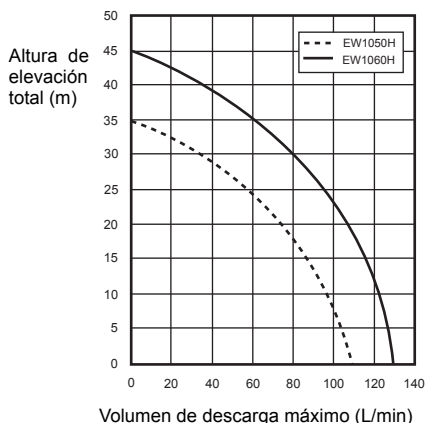
- Antes de realizar cualquier trabajo en el equipo, pare siempre el motor.
- Arranque el motor solamente después de haber montado el equipo completamente.

INSTALACIÓN DE LA MANGUERA

1. Instale los acoplamientos de manguera en la bomba.

⚠ PRECAUCIÓN:

- Cuando instale el acoplamiento en la bomba, asegúrese de que la empaquetadura está puesta en su sitio.
2. Conecte las mangueras en los acoplamientos con abrazaderas.



Compruebe que la abrazadera de manguera está firmemente apretada.

3. Conecte la alcahofa de aspiración en el extremo de la manguera de entrada.

NOTA:

- Si hay fugas de aire, el agua no podrá ser subida.

⚠ PRECAUCIÓN:

- No quite la alcahofa de aspiración porque materiales extraños podrán ocasionar daños a la bomba. Compruebe que la abrazadera de manguera está firmemente apretada.

COMPROBACIONES ANTES DE LA UTILIZACIÓN

⚠ ADVERTENCIA:

- Antes de realizar cualquier trabajo en el equipo, pare siempre el motor. Y realice siempre el trabajo sobre una superficie plana y estable.
- Compruebe el equipo para ver si hay tornillos flojos o piezas de conexión flojas antes de arrancar el motor.
- Evite tocar el motor y el silenciador con cualquier parte de su cuerpo o ropas durante la inspección o reparación, mientras estén todavía calientes.
- Tenga especial cuidado con la ventilación. Tenga cuidado con el envenenamiento con CO.

INSPECCIÓN Y RELLENADO DEL ACEITE DE MOTOR (Fig. 4)

Realice el procedimiento siguiente, con el motor enfriado.

- Asegúrese de que el motor está en posición horizontal.
- No rosque el indicador del nivel de aceite en el orificio de llenado de aceite para comprobar el nivel de aceite.
- Compruebe si el nivel de aceite está entre los límites inferior y superior del indicador del nivel de aceite.
- Si el nivel de aceite está por debajo del límite inferior, añada aceite.
- Es posible que necesite rellenar aceite aproximadamente cada 10 horas de funcionamiento (cada 10 repostajes de combustible).
- Si el aceite ha cambiado de color o tiene impurezas, reemplácelo con aceite nuevo.

Aceite recomendado: Aceite SAE 10W-30 de clasificación API, Clase SF o superior (aceite de 4 tiempos para automóviles)

Volumen de aceite:

Para el modelo EW1050H: Aprox. 0,08L

Para el modelo EW1060H: Aprox. 0,1L

NOTA:

- Si el motor no está en posición horizontal, podrá producirse una indicación incorrecta del nivel de aceite y es posible que llene demasiado aceite. Si llena aceite por encima del límite superior podrá ocasionar contaminación de aceite o humo blanco.

Rellenado de aceite de motor

1. Mantenga el motor en posición horizontal, y extraiga el indicador del nivel de aceite.
2. Llene con aceite hasta la marca de límite superior. Utilice una botella de aceite cuando llene.

3. Apriete firmemente el indicador del nivel de aceite. Un apretado insuficiente podrá ocasionar fugas de aceite.

Después de rellenar aceite

- Limpie cualquier resto de aceite derramado con un trapo inmediatamente.

Reemplazo del aceite: Indicador del nivel de aceite

- Quite el polvo o suciedad cerca de orificio de llenado de aceite.
- Mantenga el indicador del nivel de aceite que ha retirado libre de arena y polvo. De lo contrario, cualquier resto de arena o polvo adherido al tapón de aceite podrá resultar en problemas con la circulación normal del aceite o desgaste de las partes del motor.

COMBUSTIBLE

⚠ ADVERTENCIA:

- El combustible es muy inflamable y venenoso. Mantenga alejadas las llamas expuestas (cigarrillos, estufa, fuegos artificiales), chispas eléctricas (batería, cortocircuito, chispas de interruptores en cortocircuito, chispas de soldadura, etc.) cuando maneje el combustible.
- Asegúrese de parar el motor antes de repostar. No reposte cuando el motor esté todavía caliente.
- Además de las ocasiones en que reposte, incluso cuando transvase combustible a un recipiente pequeño, preste siempre mucha atención.
- Después de repostar, apriete firmemente el tapón del depósito de combustible, y limpie completamente el combustible derramado.

Manejo del combustible

Es necesario manejar el combustible con el máximo cuidado. El combustible puede contener sustancias similares a los disolventes. El repostaje deberá ser realizado en un cuarto suficientemente ventilado o al aire libre. No inhale nunca combustible, y mantenga el combustible alejado de usted. Si toca combustible repetidamente o durante largo tiempo, la piel se le secará, lo que podrá causar enfermedades de la piel o alergia. Si entra combustible en los ojos, limpie los ojos con agua fresca. Si sus ojos siguen irritados, consulte con su médico de cabecera.

Periodo de almacenamiento del combustible

El combustible deberá utilizarse dentro de un periodo de 4 semanas, aunque esté almacenado en un recipiente especial en un lugar bien ventilado y sombreado. De lo contrario, el combustible podrá deteriorarse en un día.

Almacenamiento de la máquina y relleno del depósito

- Mantenga la máquina y el depósito en un lugar fresco libre de la luz solar directa.
- No deje nunca el combustible en un automóvil.

Tipo de combustible:

El motor es un motor de cuatro tiempos. Asegúrese de utilizar gasolina sin plomo de 87 o más octanos para automóvil ((R+M)/2). No deberá contener más de 10% de alcohol (E-10).

- No utilice nunca una mezcla de gasolina que contenga aceite de motor. De lo contrario, ocasionará una acumulación de carbón excesiva o problemas mecánicos.

Capacidad del depósito de combustible:

Para el modelo EW1050H: 0,5 L

Para el modelo EW1060H: 0,65 L

Repostaje (Fig. 5)

1. Mantenga el motor en posición horizontal.
2. Afloje el tapón del depósito de combustible un poco para liberar la presión del depósito.
3. Quite el tapón del depósito de combustible, y reposte. NO llene nunca el depósito de combustible hasta rebosar.
4. Después de repostar, apriete el tapón del depósito de combustible firmemente.
 - Limpie la parte exterior del tapón del depósito de combustible para evitar que entren desechos en el depósito de combustible.
 - Si hay algún defecto o daño en el tapón del depósito de combustible, reemplácelo.
 - El tapón del depósito de combustible se estropea con el paso del tiempo. Reemplácelo cada dos o tres años.
 - NO ponga combustible en el orificio de llenado de aceite.

Agua de cebado (Fig. 6)

⚠ PRECAUCIÓN:

- No arranque la bomba sin agua en la caja de la bomba. De lo contrario podrá dañar el sello mecánico.

Quite el tapón de cebado y añada agua clara hasta que la caja de la bomba esté llena de agua. Después del llenado apriete el tapón de cebado.

NOTA:

- Si la entrada de agua no es suficiente, la capacidad de cebado automático disminuirá.
- Asegúrese de que la bomba está puesta en un lugar firme y lo más cerca posible de la fuente de agua disponible.
- Cuanto más alta esté la cabeza de aspiración mayor será el tiempo que se requerirá para el cebado con menos descarga.

COMPROBACIÓN DEL MOTOR:

- Compruebe con cuidado las mangueras y acoplamientos de combustible para ver si hay fugas de combustible. Las fugas de combustible crean una situación potencialmente peligrosa.
- Compruebe los pernos y tuercas para ver si están flojos. Si hay alguno flojo, vuelva a apretarlo. Un perno o tuerca flojos podrán ocasionar un problema grave del motor.
- Compruebe el nivel de aceite de motor y rellene si es necesario.
- Compruebe el nivel de combustible y rellene si es necesario. Tenga cuidado de no llenar demasiado el depósito.
- Mantenga las aletas del cilindro y el arrancador de retroceso libres de suciedad, hierba y otros desechos.
- Póngase ropas de trabajo ceñidas cuando utilice el motor.

OPERACIÓN

⚠ ADVERTENCIA:

- No toque nunca un motor o silenciador caliente especialmente cuando arranque de nuevo el motor. El silenciador del motor se calentará después de tener en marcha el motor.
- No ponga sus manos ni objetos extraños en las válvulas de seguridad cuando la bomba esté funcionando.

⚠ ADVERTENCIA:

Tenga cuidado con los golpes de agua

- No permita que la rueda de un vehículo pase por encima de la manguera de descarga. No cierre la válvula de descarga bruscamente, porque se producirá un golpe de agua que podrá resultar en daños graves a la bomba.

Arranque:

⚠ PRECAUCIÓN:

- Debido a que el aceite lubricante no se habrá esparcido todavía suficientemente, no acelere el motor justo después de arrancarlo. Las altas revoluciones innecesarias acortarán la vida útil del equipo o causarán daños.

1. Compruebe que la caja de la bomba está llena de agua.
2. Compruebe que la alcahofa de aspiración está puesta bajo el agua.

⚠ PRECAUCIÓN:

- Emplee algún método preventivo cuando el fondo del agua esté cubierto con barro o arena.

3. Compruebe que no haya obstáculos en la boca de la manguera de descarga.
4. Gire el interruptor del motor I-O (Encender/Apagar) a la posición "I" (Encender).
5. Compruebe que la palanca de aceleración indica "L". (Fig. 7)
6. Continúe pulsando el cebador hasta que entre combustible en el cebador. (En general, 7 a 10 impulsos.)

7. Ajuste la palanca de estrangulación.

- Si el motor está frío o la temperatura ambiente es baja, cierre la palanca de estrangulación completamente. (Fig. 8)

- Si el motor está caliente o la temperatura ambiente es alta, abra la palanca de estrangulación hasta la mitad, o manténgala completamente abierta.

8. Tire de la manija de arranque suavemente hasta que sienta cierta resistencia. Después, retorne la manija de arranque, y tire de ella con fuerza. Nunca tire hasta el límite de la cuerda.

Una vez que tire de la manija de arranque, no la suelte nunca inmediatamente. Sujete la manija de arranque hasta que haya retornado a su posición original. Si resulta difícil arrancar el motor, abra la mariposa de gases 1/3.

9. Una vez que el motor arranque, ponga la palanca de estrangulación en la posición OPEN si la ha cerrado. (Fig. 9)

10. Deje que el motor "se caliente" debidamente. Continúe la operación de calentamiento durante 2 a 3 minutos en la posición "L".

Motor en marcha:

Gire la palanca de aceleración hasta la posición intermedia, y compruebe que sale agua por la manguera de descarga.

Operación de acabado

Parada del motor

Gire la palanca de aceleración hasta la posición "L" para poner el motor a mínima revolución.

Gire el interruptor del motor I-O (Encender/Apagar) a la posición "O" (Apagar).

Drainaje del agua después de la utilización

El agua dentro de la caja de la bomba se congelará por debajo de 0°C en invierno y la bomba podría romperse. Después de la utilización, drene el agua por el orificio de drenaje en la parte inferior para almacenar la bomba.

INSTRUCCIONES DE MANTENIMIENTO

⚠ ADVERTENCIA:

- Antes de realizar cualquier trabajo en el equipo, pare siempre el motor. No realice ningún trabajo de mantenimiento cuando el motor esté todavía caliente.

⚠ PRECAUCIÓN:

- No lave el motor con agua durante el servicio de mantenimiento.

CAMBIO DEL ACEITE DE MOTOR

⚠ ADVERTENCIA:

- El motor y el aceite de motor todavía estarán calientes después de parar el motor. Deje pasar tiempo suficiente para que el motor y el aceite de motor se enfríen. De lo contrario podrá resultar en quemaduras de la piel.

⚠ PRECAUCIÓN:

- Antes de cambiar el aceite, compruebe la forma apropiada de desechar el aceite usado. No lo tire por la alcantarilla, en tierra de jardín ni en arroyos. Los reglamentos de zonificación o medioambientales locales le ofrecerán instrucciones más detalladas sobre la forma de desecho apropiada.

El aceite de motor deteriorado acortará la vida útil del motor. Asegúrese de comprobar el aceite y el nivel regularmente.

NOTA:

- Si llena aceite por encima del límite, el aceite podrá contaminarse o prender fuego con humo blanco. Deje pasar tiempo suficiente después de parar el motor para que el aceite de motor vuelva al depósito de aceite con objeto de asegurar una lectura precisa del nivel de aceite.

Intervalo de reemplazo: Después de las primeras 20 horas de funcionamiento, y posteriormente cada 50 horas de funcionamiento.

Aceite recomendado: Aceite SAE 10W-30 de clasificación API, Clase SF o superior (aceite de motor de 4 tiempos para automóviles)

Volumen de aceite:

Para el modelo EW1050H: Aprox. 0,08L

Para el modelo EW1060H: Aprox. 0,1L

1. Quite el indicador del nivel de aceite. **(Fig. 10)**
Sea cauteloso y ponga el indicador del nivel de aceite en un lugar donde no recoja suciedad, polvo u otras materias extrañas.
2. Ponga un paño o toalla de papel en el área alrededor del orificio de llenado de aceite.
3. Quite el indicador del nivel de aceite, después incline el motor y drene el aceite en una bandeja colectora u otro recipiente.
4. Ponga el equipo sobre una superficie nivelada. Vierta aceite al interior desde una botella exprimible u otro envase apropiado. Llene con aceite hasta el punto de rebosamiento de la boca de llenado. **(Fig. 4)**
5. Después de llenar el motor con aceite, vuelva a insertar el indicador del nivel de aceite. Asegúrese de que el indicador del nivel de aceite esté apretado, porque si posteriormente se afloja el aceite se fugará.

COMPROBACIÓN DE LA BUJÍA (Fig. 11)

⚠ PRECAUCIÓN:

- No toque nunca el conector de la bujía mientras el motor esté en marcha (peligro de descarga eléctrica de alta tensión).

Intervalo de limpieza e inspección: Diariamente (cada 10 horas de funcionamiento)

- Utilice solamente la llave universal suministrada para quitar o instalar la bujía.
- La holgura entre los dos electrodos de la bujía deberá ser de 0,7 – 0,8 mm.

Si la holgura es excesiva o insuficiente, ajústela. Si la bujía está obstruida o contaminada, límpiela completamente o reemplácela.

LIMPIEZA DEL FILTRO DE AIRE (Fig. 12)

⚠ ADVERTENCIA:

- Apague el motor. Manténgase alejado de llamas expuestas.

Un elemento del filtro de aire sucio ocasionará dificultades en el arranque, pérdida de potencia, malfuncionamiento del motor, y acortará la vida útil del motor enormemente. Mantenga el elemento del filtro de aire limpio.

Intervalo de limpieza e inspección: Diariamente (cada 10 horas de funcionamiento)

1. Ponga la palanca de estrangulación en la posición completamente cerrada para que el polvo y la suciedad no puedan entrar en el carburador.
2. Quite el perno de fijación de la tapa del filtro de aire.
3. Extraiga el borde inferior de la tapa para quitar la tapa del filtro de aire.
4. Quite el elemento, y después límpielo con una solución de agua templada y detergente suave, dejándolo secar después completamente.
5. Instálelo alineándolo con las líneas como se muestra en la ilustración.
6. Limpie cualquier resto de aceite adherido al área alrededor de la tapa del filtro de aire y respiradero con un paño.
7. Después de la limpieza, vuelva a montar la tapa del filtro (inserte la lengüeta de la parte superior primero, después inserte la lengüeta inferior) y apriete el perno de fijación.

LIMPIEZA DEL FILTRO DE COMBUSTIBLE

⚠ ADVERTENCIA:

- Apague el motor. Manténgase alejado de llamas expuestas. No fume.

Intervalo de limpieza e inspección: Mensualmente (cada 50 horas de funcionamiento)

El filtro de combustible se utiliza para filtrar el combustible requerido por el carburador. Se deberá realizar una inspección visual periódica del filtro de combustible.

1. Abra el tapón del depósito de combustible, utilice un gancho de alambre y extraiga la cabeza de aspiración a través de la abertura del depósito.
2. Quite la abrazadera de la manguera y saque el filtro de combustible del tubo de combustible.
3. Lave el filtro de combustible con keroseno.
4. Después de lavarlo, vuelva a montarlo.
5. Si el filtro está duro u obstruido, reemplácelo con uno nuevo.

Reemplace el filtro de combustible al menos trimestralmente para asegurar un suministro de combustible suficiente al carburador. De lo contrario, un suministro de combustible insuficiente podrá ocasionar un fallo en el arranque del motor y una velocidad máxima limitada.

Después de la comprobación, limpieza o reemplazo, fije el filtro de combustible en el tubo de combustible con la abrazadera de la manguera.

Empuje el filtro de combustible a tope hasta el fondo del depósito de combustible. (Fig. 13)

REEMPLAZO DEL TUBO DE COMBUSTIBLE

(Fig. 14)

⚠️ ADVERTENCIA:

- Apague el motor. Manténgase alejado de llamas expuestas.

Intervalo de limpieza e inspección: Diariamente (cada 10 horas de funcionamiento)

Reemplazo: Anualmente (cada 200 horas de funcionamiento)

Reemplace el tubo de combustible cada año, independientemente de la frecuencia de utilización. Las fugas de combustible pueden provocar un incendio.

Si detecta alguna fuga durante la inspección, reemplace el tubo de combustible inmediatamente.

INSPECCIÓN DE LOS PERNOS, TUERCAS Y TORNILLOS

- Vuelva a apretar los pernos, tuercas, etc., flojos.
- Compruebe el tapón del depósito de combustible y el tapón del depósito de aceite para ver si están apretados. Compruebe que no haya fugas de combustible y aceite.
- Reemplace las partes dañadas con otras nuevas para un funcionamiento seguro.

LIMPIEZA DE LAS PARTES

- Mantenga siempre limpio el motor pasándole un paño de limpieza.
- Mantenga las aletas del cilindro libres de polvo y suciedad. El polvo o suciedad adheridos a las aletas podrán ocasionar un agarrotamiento del pistón.

Tabla de programa de mantenimiento periódico

Elemento	Tiempo de funcionamiento	Antes de la utilización	Diariamente (10 h)	50 h	200 h	Antes del almacenamiento
Aceite de motor	Inspeccionar/rellenar	○				
	Reemplazar			○*1		
Apretado de partes (pernos, tuercas)	Inspeccionar	○				
Depósito de combustible	Limpiar/inspeccionar	○				
	Drenar combustible					○
Palanca de aceleración	Comprobar la función	○				
Interruptor I-O (Encender/apagar)	Comprobar la función	○				
Filtro de aire	Limpiar		○			
Bujía	Inspeccionar		○			
	Limpiar/ajustar				○	
Conducto del aire de refrigeración y aletas del cilindro	Limpiar/inspeccionar		○			
Tubo de combustible	Inspeccionar		○			
	Reemplazar				⊙*2	
Filtro de combustible	Limpiar/reemplazar			○		
Holgura de la válvula (válvula de admisión y válvula de escape)	Inspeccionar/ajustar				⊙*2	
Revisar el motor si es necesario					⊙*2	
Carburador	Drenar combustible					○
Conjunto de bomba	Limpiar		○			
Alcachofa de aspiración	Inspeccionar/limpiar	○				

*1 Realice el reemplazo inicial después de 20 h de funcionamiento.

Antes de cambiar el aceite, compruebe la forma apropiada de desechar el aceite usado. No lo tire por la alcantarilla, en tierra de jardín ni en arroyos. Los reglamentos de zonificación o medioambientales locales le ofrecerán instrucciones más detalladas sobre la forma de desecho apropiada.

*2 Para la inspección a las 200 horas de funcionamiento, solicítela a un centro de servicio autorizado.

PRECAUCIÓN:

- Cuando no vaya a utilizar el equipo durante largo tiempo, drene todo el combustible del depósito de combustible y guárdelo en un lugar seco y limpio.

Antes del almacenamiento

1. Retire completamente cualquier resto de agua del orificio de drenaje.
2. Tire suavemente de la manija de arranque del motor hasta que sienta resistencia.
3. Después de extraer el combustible del depósito de combustible, pulse el cebador hasta extraer todo el combustible del tubo de combustible. Extraiga el combustible de la bomba otra vez.
4. Ponga la palanca de aceleración en la posición "L".
5. Limpie cualquier resto de suciedad o polvo.
6. Almacene la bomba en un lugar seco y cálido donde no haya posibilidad de que se congele.

Transporte

Cuando levante y transporte la máquina, sujete el asa firmemente con ambas manos.

ALMACENAMIENTO

ADVERTENCIA:

- Cuando vaya a drenar el combustible, asegúrese de parar el motor y de confirmar que el motor se haya enfriado.

Justo después de pararlo, el motor podrá estar caliente todavía con posibilidad de producir quemaduras, inflamabilidad y un incendio.

SOLUCIÓN DE PROBLEMAS

Antes de solicitar reparaciones, compruebe si hay algún problema usted mismo. Si encuentra alguna anomalía, controle la máquina de acuerdo con la descripción de este manual. No manipule ni desmonte nunca ninguna pieza de forma contraria a la descripción. Para las reparaciones, póngase en contacto con un centro de servicio autorizado.

Problema	Causa	Remedio
El motor no arranca.	No ha accionado el cebador.	Pulse de 7 a 10 veces.
	Baja velocidad al tirar de la cuerda de arranque.	Tire con fuerza.
	No hay combustible.	Añada combustible.
	Filtro de combustible obstruido.	Límpielo.
	Tubo de combustible desconectado.	Conecte el tubo de combustible debidamente.
	Tubo de combustible doblado.	Enderece el tubo de combustible.
	Combustible deteriorado.	El combustible deteriorado dificultará el arranque. Reemplace con combustible nuevo. (Reemplazo recomendado: 1 mes)
	Succión excesiva de combustible.	Ponga la palanca de aceleración en la posición intermedia o "H", y tire de la manija de arranque hasta que el motor arranque. Si el motor no arranca todavía, quite la bujía, seque los electrodos, y vuelva a montarla como estaba originalmente. Después, arranque de la forma especificada.
	Tapón de bujía suelto.	Colóquelo firmemente.
	Bujía contaminada.	Límpielo.
	Holgura anormal de la bujía.	Ajuste la holgura.
	Otra anomalía de la bujía.	Reemplácela.
	Carburador anormal.	Solicite inspección y mantenimiento.
No se puede tirar de la cuerda de arranque.	Solicite inspección y mantenimiento.	
Sistema de propulsión anormal.	Solicite inspección y mantenimiento.	

El motor se para enseguida. La velocidad del motor no aumenta.	Calentamiento insuficiente.	Realice la operación de calentamiento.
	La palanca de estrangulación está puesta en la posición "CLOSE" aunque el motor está calentado.	Póngala en la posición "OPEN".
	Filtro de combustible obstruido.	Límpielo.
	Filtro de aire contaminado u obstruido.	Límpielo.
	Carburador anormal.	Solicite inspección y mantenimiento.
	Sistema de propulsión anormal.	Solicite inspección y mantenimiento.
La bomba no funciona.	Rueda de paletas (impeller) adherida.	Pida al centro de servicio autorizado de Makita local que se la repare.
El volumen de bombeo es pequeño.	Entra aire por el lado de aspiración.	Compruebe los tubos en el lado de aspiración.
	Caída de potencia del motor.	Pida al centro de servicio autorizado de Makita local que se la repare.
	Rotura del sello mecánico.	Reemplace empaquetadura.
	Elevación de aspiración alta.	Baje la elevación de aspiración.
	Manguera fina o larga o retorcida.	Utilice una más gruesa o acórtela o enderécela.
	Fuga de agua por el conducto de agua.	Detenga la fuga.
	Obstrucción de la rueda de paletas (impeller) con sustancias extrañas.	Pida al centro de servicio autorizado de Makita local que se la repare.
	Rueda de paletas (impeller) desgastada.	Pida al centro de servicio autorizado de Makita local que se la repare.
La bomba no se ceba automáticamente.	Aspiración de aire en el lado de aspiración.	Compruebe los tubos en el lado de aspiración.
	Agua de cebado insuficiente dentro de la caja de la bomba.	Cebe completamente.
	Apretado imperfecto de la llave de drenaje.	Apriete los 2 tapones completamente.
	Revolución del motor incorrecta.	Pida al centro de servicio autorizado de Makita local que se la repare.
	Entrada de aire por el sello mecánico.	Reemplace empaquetadura.

Explicação da vista geral

1 Bujão (ferragem)	14 Alavanca do estrangulador	27 Aspiração
2 Descarga	15 Maçaneta de arranque	28 Filtro coletor
3 Aspiração	16 Arranque de cabo	29 Mangueira (acessório opcional)
4 Bujão (drenagem)	17 Manômetro do óleo	30 Manômetro do óleo
5 Corpo da bomba	18 Base de fixação	31 Nível superior
6 Pega	19 Alavanca do acelerador	32 Nível inferior
7 Cobertura da vela de ignição	20 Empanque	33 Tampa do depósito de combustível
8 Filtro de ar	21 Acoplamento para mangueira	34 Nível superior
9 Tampa do depósito	22 Porca de orelhas	35 Depósito de combustível
10 Depósito de combustível	23 Cinta da mangueira	36 Tubo de combustível
11 Bomba de ferrar	24 Mangueira	
12 Interruptor I-O (Ligar/Desligar)	25 Bujão (ferragem)	
13 Silenciador	26 Descarga	

Muito obrigado por ter comprado a Motobomba MAKITA. É com prazer que lhe recomendamos a Motobomba MAKITA que é o resultado de um longo programa de desenvolvimento e muitos anos de conhecimento e experiência.

Por favor leia este folheto que se refere em detalhe aos vários pontos que irão demonstrar o seu excelente desempenho. Isso irá ajudá-lo a obter o melhor resultado possível da sua Motobomba MAKITA.

SÍMBOLOS

Irá reparar nos seguintes símbolos quando ler o manual de instruções.



Leia o manual de instruções e siga as advertências e precauções de segurança.



Tome especial cuidado e atenção.



Nunca utilize o motor em interiores.



Não toque no motor quando estiver quente.



Sem chamas abertas!



Verifique o nível do óleo antes do arranque.



Marcação CE

⚠ ADVERTÊNCIA:

• POR FAVOR LEIA E COMPREENDA INTEGRALMENTE ESTE MANUAL ANTES DE OPERAR A MÁQUINA.

As seguintes marcas ⚠ representam importantes informações de segurança. Observe sempre essas instruções. A utilização incorreta do equipamento pode resultar em acidentes graves.

⚠ **PERIGO:** O não cumprimento das instruções pode resultar em morte ou lesão grave.

⚠ **ADVERTÊNCIA:** O desrespeito pelas instruções de ADVERTÊNCIA pode resultar em lesão grave ou morte do operador da máquina, de uma pessoa presente, ou de uma pessoa a inspecionar ou reparar a máquina.

⚠ **PRECAUÇÃO:** Uma PRECAUÇÃO indica precauções especiais que devem ser tomadas para evitar acidentes pessoais e danificar a máquina.

NOTA: Uma NOTA oferece informação chave para facilitar ou clarificar os procedimentos.

INSTRUÇÕES DE SEGURANÇA

- Este manual de instruções explica a utilização geral e precauções para o equipamento. Leia atentamente este manual de instruções antes de colocar o equipamento em funcionamento. E observe rigorosamente os regulamentos de segurança.
- Guarde este manual de instruções num local seguro para futura referência. No caso de perda ou dano deste manual de instruções, peça imediatamente a sua substituição ao centro de assistência autorizado Makita.
- Quando emprestar ou ceder o equipamento a outras pessoas, entregue sempre o manual de instruções e outros materiais informativos com o equipamento.
- Devido ao nosso continuado programa de investigação e desenvolvimento, as especificações do produto estão sujeitas a alteração sem aviso. As ilustrações ou conteúdos neste manual podem diferir do produto em si.
- Se precisar de qualquer assistência para mais detalhes, peça ao seu concessionário local ou Centro de Assistência autorizado Makita.

Utilização prevista da máquina

Este equipamento serve apenas para rega e água de irrigação.

Este equipamento é usado apenas para bombear água limpa.

⚠ PERIGO:

- Não efetue modificações ou alterações ao equipamento.
- Não utilize o equipamento para outro fim sem ser a utilização prevista.
- Utilize apenas peças de substituição genuínas e aprovadas para manutenção e reparação.
- O desrespeito pelas advertências acima pode provocar danos sérios ao equipamento ou acidentes pessoais.

PRECAUÇÕES RELATIVAS A GASES DE ESCAPE

- Nunca inale os gases de escape. Eles contêm monóxido de carbono, um gás sem cor, sem odor e extremamente perigoso que pode causar inconsciência ou morte.
- Nunca opere o motor em interiores ou numa área mal ventilada, tal como num túnel, subterrâneo, etc.
- Exerça extremo cuidado quando operar o motor próximo das pessoas ou dos animais.
- Mantenha o tubo de escape livre de objetos estranhos.

PRECAUÇÕES DE REABASTECIMENTO

- Certifique-se de que para o motor antes de reabastecer.
- Não encha demasiado o depósito de combustível.
- Se houver derrame de combustível, limpe-o cuidadosamente e espere até o combustível ter secado antes de ligar o motor.
- Após o reabastecimento, certifique-se de que a tampa do combustível está segura para evitar derramamento.

PREVENÇÃO DE INCÊNDIO

- Não opere o equipamento enquanto fumar ou perto de uma chama aberta.
- Não utilize o equipamento em torno de arbustos secos, ramos, trapos ou outros materiais inflamáveis.
- Mantenha o motor a pelo menos 1 metro afastado de edifícios ou outras estruturas.
- Mantenha o motor afastado de materiais inflamáveis e outros materiais perigosos (lixo, trapos, lubrificantes, explosivos).

Apenas para países europeus

Declaração de Conformidade CE

Nós, Makita Corporation na qualidade de fabricante responsável, declaramos que a(s) seguinte(s) máquina(s) Makita:

Designação da Máquina: Motobomba
Modelo N.º Tipo: EW1050H, EW1060H
Especificações: Consulte a tabela "DADOS TÉCNICOS"

são de produção em série e

Estão conformes as seguintes Diretivas europeias:

2000/14/EC, 2006/42/EC, 2010/26/EU,
2004/108/EC, 2000/14/EC, 2005/88/EC

E foram fabricadas em conformidade com as seguintes normas ou documentos normalizados:

EN 809, EN 55012

A documentação técnica é mantida por:

Makita International Europe Ltd., Departamento Técnico,
Michigan Drive, Tongwell, Milton Keynes, Bucks
MK15 8JD, Inglaterra

O procedimento de avaliação de conformidade exigido pela Diretiva 2000/14/EC estava em conformidade com o anexo V.

Nível de potência sonora medido: 100,9 dB(A)

Nível de potência sonora garantido: 109 dB(A)

31.8.2012



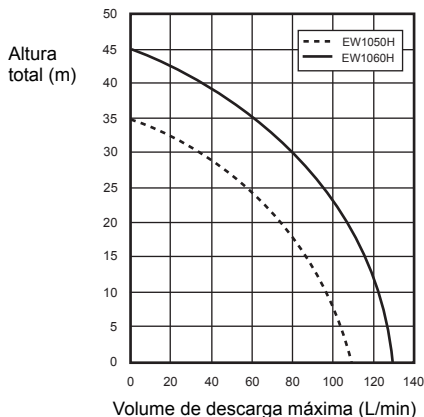
Tomoyasu Kato
Diretor

Makita Corporation
3-11-8, Sumiyoshi-cho,
Anjo, Aichi, JAPAN

DADOS TÉCNICOS

		EW1050H	EW1060H
Peso	kg	5,8	7,3
Dimensão	mm	327 x 231 x 319	356 x 234 x 336
Tipo		BOMBA CENTRÍFUGA autoferrante	
Diâmetros (aspiração-descarga)	polegadas	1	
Altura total	m	35	45
Volume de descarga máxima	L/min	110	130
Elevação máxima de aspiração	m	8	8
Volume (depósito de combustível)	L	0,5	0,65
Volume (depósito de óleo)	L	0,08	0,1
Cilindrada do motor	cm ³	24,5	33,5
Desempenho máximo do motor	kW	0,71 a 7.000 min ⁻¹	1,07 a 7.000 min ⁻¹
Carburador	tipo	Diafragma	
Sistema de ignição	tipo	Ignição de estado sólido	
Vela de ignição	tipo	NGK CMR6A	
Distância entre elétrodos	mm	0,7 – 0,8	
Combustível		Gasolina automóvel	
Óleo do motor		Óleo SAE 10W-30 de Classificação API, Classe SF ou superior (motor a 4 tempos para automóvel)	
Temperatura da água aplicável	°C	5 – 40	5 – 40
Nível da pressão do som	L _{pA, eq}	dB (A)	88,4
	Incerteza K	dB (A)	3
Nível da potência do som	L _{WA, d}	dB (A)	109

Nota: Use proteção para os ouvidos durante a operação.



DESIGNAÇÃO DAS PEÇAS (Fig. 1 e 2)

MONTAGEM (Fig. 3)

⚠️ ADVERTÊNCIA:

- Antes de efetuar qualquer trabalho no equipamento, pare sempre o motor.
- Ligue o motor apenas após ter montado completamente o equipamento.

INSTALAÇÃO DA MANGUEIRA

1. Instale as juntas da mangueira na bomba.

⚠️ PRECAUÇÃO:

- Quando instalar a junta na bomba, certifique-se de que o empanque está no lugar.
2. Ligue as mangueiras nas juntas com cinta. Verifique se a cinta da mangueira está firmemente apertada.
 3. Ligue o filtro coletor na extremidade da entrada da mangueira.

NOTA:

- Se houver fuga de ar, a água pode não ser extraída.

⚠️ PRECAUÇÃO:

- Não retire o filtro coletor ou pode ocorrer dano na bomba por causa do material estranho. Verifique se a cinta da mangueira está firmemente apertada.

VERIFICAÇÕES ANTES DA OPERAÇÃO

⚠️ ADVERTÊNCIA:

- Antes de efetuar qualquer trabalho no equipamento, pare sempre o motor. E execute sempre o trabalho numa superfície plana e estável.
- Verifique o equipamento para ver se existem parafusos ou peças de ligação soltas antes de ligar o motor.
- Evite tocar no motor e silenciador com qualquer parte do seu corpo ou vestuário durante a inspeção ou reparação, enquanto ainda estiverem quentes.
- Tome cuidado especial com a ventilação. Tenha cuidado com o envenenamento por CO.

INSPEÇÃO E ENCHIMENTO DO ÓLEO DO MOTOR (Fig. 4)

Execute o seguinte procedimento, com o motor arrefecido.

- Assegure-se de que o motor está na posição horizontal.
- Não introduza o manómetro do óleo no enchimento do óleo para verificar o nível do óleo.
- Verifique se o nível do óleo está entre o limite inferior ou superior no manómetro do óleo.
- Se o nível do óleo estiver abaixo do limite inferior, acrescente óleo.
- Pode ter de encher óleo aproximadamente a cada 10 horas de funcionamento (todos os 10 reabastecimentos).
- Se o óleo mudar de cor ou se misturar com sujidade, substitua-o por óleo novo.

Óleo recomendado: Óleo SAE 10W-30 de Classificação API, Classe SF ou superior (motor a 4 tempos para automóvel)

Volume do óleo:

Para o modelo EW1050H: Aprox. 0,08 L

Para o modelo EW1060H: Aprox. 0,1 L

NOTA:

- Se o motor não estiver posicionado na horizontal, pode ocorrer uma indicação incorreta do nível do óleo e pode haver enchimento excessivo do óleo. Encher com óleo acima do limite superior pode causar contaminação do óleo ou dar origem a fumo branco.

Enchimento de óleo do motor

1. Mantenha o motor na posição horizontal e retire o manómetro do óleo.
2. Encha com óleo até à marca do limite superior. Use recipiente do óleo quando encher.
3. Aperte em segurança o manómetro do óleo. O aperto insuficiente pode causar fuga de óleo.

Após o enchimento do óleo

- Limpe imediatamente qualquer óleo derramado com um trapo.

Substituição do óleo: Manómetro do óleo

- Remova pó ou sujidade da proximidade do orifício de enchimento do óleo.
- Mantenha o manómetro do óleo retirado livre de areia ou pó. Caso contrário, qualquer areia ou pó que adira à tampa do óleo pode resultar em problemas com circulação irregular do óleo ou desgaste das peças do motor.

COMBUSTÍVEL

⚠️ ADVERTÊNCIA:

- O combustível é altamente inflamável e venenoso. Mantenha-se afastado das chamas abertas (cigarros, forno, fogo de artifício), faísca elétrica (bateria, curto-circuito, faísca de interruptor em curto-circuito, faísca de solda, etc.) quando manusear o combustível.
- Certifique-se de que para o motor antes de reabastecer. Não reabasteça quando o motor ainda estiver quente.
- Para além da ocasião de reabastecimento, mesmo quando decantar combustível para recipiente pequeno, preste sempre muita atenção.
- Após o reabastecimento, aperte em segurança a tampa do depósito de combustível e limpe por completo o combustível derramado.

Manuseamento do combustível

É necessário manusear o combustível com o maior dos cuidados. O combustível pode conter substâncias similares aos solventes. O reabastecimento deve ser executado numa sala suficientemente ventilada ou ao ar livre. Nunca inale o vapor do combustível e mantenha o combustível afastado de si. Se tocar repetidamente no combustível ou durante longo período de tempo, a pele fica seca o que pode causar doenças de pele ou alergias. Se o combustível entrar para os olhos, lave os olhos com água limpa. Se os seus olhos permanecerem irritados, consulte o seu médico.

Período de armazenamento do combustível

O combustível deve ser utilizado dentro de um período de 4 semanas, mesmo se for mantido num recipiente especial numa área bem ventilada e à sombra.

Caso contrário, o combustível pode deteriorar-se num dia.

Armazenamento da máquina e enchimento do depósito

- Mantenha a máquina e o depósito num local fresco longe da luz solar direta.
- Nunca mantenha o combustível num carro.

Tipo de combustível:

O motor é um motor a 4 tempos. Certifique-se de que usa gasolina sem chumbo de 87 octanas para automóvel ou superior ((R+M)/2). Não pode conter mais de 10% de álcool (E-10).

- Nunca use uma mistura de gasolina que contenha óleo do motor. Caso contrário, pode provocar acumulação excessiva de carbono ou problemas mecânicos.

Capacidade do depósito de combustível:

Para o modelo EW1050H: 0,5 L

Para o modelo EW1060H: 0,65 L

Reabastecimento (Fig. 5)

1. Mantenha o motor na posição horizontal.
 2. Desaperte um pouco a tampa do depósito de combustível para libertar a pressão do depósito.
 3. Retire a tampa do depósito de combustível e reabasteça. NÃO encha combustível até ao topo do depósito.
 4. Após o reabastecimento, aperte em segurança a tampa do depósito de combustível.
- Limpe a parte exterior da tampa do depósito de combustível para evitar que detritos entrem no depósito de combustível.
 - Se houver qualquer defeito ou dano na tampa do depósito de combustível, substitua-a.

- A tampa do depósito de combustível desgasta-se com o decorrer do tempo. Substitua-a a cada dois a três anos.
- NÃO coloque combustível no orifício de enchimento do óleo.

Água de ferragem (Fig. 6)

⚠ PRECAUÇÃO:

- Não ligue a bomba sem água no corpo da bomba. Caso contrário, o vedante mecânico pode ficar danificado.

Retire o bujão de ferragem e acrescente água limpa até o corpo da bomba ficar cheio de água. Após o enchimento aperte o bujão de ferragem.

NOTA:

- Se a entrada de água não for suficiente, a capacidade autoferrante diminui.
- Certifique-se de que a bomba é colocada num local firme e o mais próximo possível da fonte de água disponível.
- Quanto maior for a cabeça de aspiração mais tempo será necessário para ferragem com uma descarga menor.

VERIFICAR O MOTOR:

- Verifique cuidadosamente as mangueiras de combustível e juntas para ver se existem folgas e fuga de combustível. A fuga de combustível cria uma situação potencialmente perigosa.
- Verifique a folga nos parafusos e porcas. Se existirem, volte a apertá-los. Um parafuso ou porca solta podem provocar problemas sérios ao motor.
- Verifique o óleo do motor e volte a encher se necessário.
- Verifique o nível do combustível e volte a encher se necessário. Tome cuidado para não encher demasiado o depósito.
- Mantenha as aletas do cilindro e arranque de cabo livres de sujidade, erva e outros detritos.
- Use vestuário de trabalho aconchegado quando operar o motor.

OPERAÇÃO

⚠ ADVERTÊNCIA:

- Nunca toque num silenciador de motor quente especialmente quando reiniciar o motor. O silenciador do motor fica quente após o funcionamento do motor.
- Não coloque as suas mãos ou objetos estranhos nas válvulas de descarga quando a bomba estiver a ser utilizada.

⚠ ADVERTÊNCIA:

Tenha cuidado com golpe de ariete

- Não deixe que a roda de um veículo passe por cima da mangueira de descarga. Não feche abruptamente a válvula de descarga, porque ocorrerá golpe de ariete que pode resultar em danos severos para a bomba.

Arranque:

⚠ PRECAUÇÃO:

- Porque o óleo de lubrificação ainda não se espalhou o suficiente, não aumente as rotações do motor logo após o arranque do motor. As altas rotações desnecessárias encurtam a vida do equipamento ou causam danos.

1. Verifique se o corpo da bomba está cheio com água.

2. Verifique se o filtro coletor está colocado debaixo de água.

⚠ PRECAUÇÃO:

- Empregue algum método preventivo quando o fundo da água estiver coberto com lama ou areia.
3. Verifique se não existe obstáculo na boca da mangueira de descarga.
 4. Rode o interruptor do motor I-O (LIGAR/DESLIGAR) para a posição "I" (LIGAR).
 5. Verifique se a alavanca do acelerador indica "L". (Fig. 7)
 6. Continue a pressionar a bomba de ferragem até o combustível entrar na bomba de ferragem. (Em geral, 7 a 10 impulsos.)
 7. Ajuste a alavanca do estrangulador.
 - Se o motor estiver frio ou a temperatura ambiente for baixa, feche por completo a alavanca do estrangulador. (Fig. 8)
 - Se o motor estiver quente ou a temperatura ambiente for alta, abra a alavanca do estrangulador até meio ou mantenha-a completamente aberta.
 8. Puxe a maçaneta de arranque ligeiramente até sentir uma determinada resistência. Depois, recue com a maçaneta de arranque e puxe-a com força. Nunca puxe o cabo em todo o comprimento. Assim que a maçaneta de arranque for puxada, nunca solte imediatamente a sua mão. Segure na maçaneta de arranque até voltar ao seu ponto original. Se for difícil arrancar o motor, abra o regulador de velocidade cerca de 1/3.
 9. Assim que o motor iniciar, coloque a alavanca do estrangulador na posição OPEN (Aberto) se tiver fechado a alavanca do estrangulador. (Fig. 9)
 10. Deixe que o motor "aqueça" corretamente. Continue a operação de aquecimento durante 2 a 3 minutos na posição "L".

Motor em funcionamento:

Rode a alavanca do acelerador para a posição intermédia e verifique se sai água da mangueira de descarga.

Operação de acabamento

Parar o motor

Rode a alavanca do acelerador para a posição "L" para colocar o motor na rotação mais baixa.

Rode o interruptor do motor I-O (LIGAR/DESLIGAR) para a posição "O" (DESLIGAR).

Drene a água após a utilização

A água dentro do corpo da bomba congela abaixo dos 0°C no Inverno e a bomba pode possivelmente avariar. Após a utilização, drene a água do dreno no fundo para guardar.

INSTRUÇÕES DE ASSISTÊNCIA

⚠ ADVERTÊNCIA:

- Antes de efetuar qualquer trabalho no equipamento, pare sempre o motor. Não execute qualquer trabalho quando o motor ainda estiver quente.

⚠ PRECAUÇÃO:

- Não lave o motor com água durante a assistência.

MUDANÇA DO ÓLEO DO MOTOR

⚠️ ADVERTÊNCIA:

- O motor e óleo do motor ainda estão quentes logo após parar o motor. Dê tempo suficiente para o motor e o óleo do motor arrefecerem. Caso contrário, a pele pode queimar-se em resultado disso.

⚠️ PRECAUÇÃO:

- Antes de mudar o óleo, verifique uma forma adequada de eliminar o óleo usado. Não o coloque pelas sarjetas abaixo, em terra de jardim ou em cursos de água abertos. Os seus regulamentos locais de delimitação de zonas ou ambientais dar-lhe-ão instruções mais detalhadas sobre a eliminação adequada. Óleo do motor deteriorado encurta a vida do motor. Certifique-se de que verifica regularmente o óleo e o nível deste.

NOTA:

- Se o óleo estiver cheio acima do limite, pode estar contaminado ou pode incendiar com fumo branco. Dê tempo suficiente após desligar o motor para o óleo do motor regressar ao depósito de óleo para assegurar uma leitura correta do nível do óleo.

Intervalo de substituição: Após as primeiras 20 horas de funcionamento, posteriormente a cada 50 horas de funcionamento.

Óleo recomendado: Óleo SAE 10W-30 de Classificação API, Classe SF ou superior (motor a 4 tempos para automóvel)

Volume do óleo:

Para o modelo EW1050H: Aprox. 0,08 L

Para o modelo EW1060H: Aprox. 0,1 L

1. Retire o manómetro do óleo. (Fig. 10)
Tenha cuidado para colocar o manómetro do óleo num local onde não acumule sujidade, pó ou outra matéria estranha.
2. Coloque um pano ou toalhete de papel na área à volta do orifício de enchimento do óleo.
3. Retire o manómetro do óleo, depois incline o motor e esvazie o óleo para um recipiente ou outro recetáculo.
4. Ponha o equipamento numa superfície nivelada. Verta o óleo a partir de um frasco que possa ser comprimido ou outro objeto apropriado. Encha com óleo até ao ponto de transbordar o gargalo de enchimento. (Fig. 4)
5. Após encher o motor com óleo, volte a introduzir o manómetro do óleo. Certifique-se de que o manómetro do óleo fica ajustado, pois se ficar solto mais tarde ocorrerá fuga de óleo.

VERIFICAR A VELA DE IGNIÇÃO (Fig. 11)

⚠️ PRECAUÇÃO:

- Nunca toque no conetor da vela de ignição enquanto o motor estiver a funcionar (perigo de choque elétrico de alta tensão).

Intervalo de limpeza e inspeção: Diariamente (a cada 10 horas de funcionamento)

- Utilize apenas a chave universal fornecida para retirar ou instalar a vela de ignição.
- A distância entre os dois eletrodos da vela de ignição deve ser 0,7 – 0,8 mm.

Se a distância for muito grande ou muito pequena, ajuste-a. Se a vela de ignição estiver obstruída ou contaminada, limpe-a muito bem ou substitua-a.

LIMPEZA DO FILTRO DE AR (Fig. 12)

⚠️ ADVERTÊNCIA:

- Desligue o motor. Mantenha afastado de chamas abertas.
- O elemento do filtro de ar sujo causa dificuldades no arranque, perda de potência, avarias do motor e encurta bastante a vida do motor. Mantenha limpo o elemento do filtro de ar.

Intervalo de limpeza e inspeção: Diariamente (a cada 10 horas de funcionamento)

1. Coloque a alavanca do estrangulador para a posição de totalmente fechada para que o pó e sujidade não possam entrar no carburador.
2. Retire o parafuso de fixação da cobertura do filtro de ar.
3. Puxe a extremidade inferior da cobertura para remover a cobertura do filtro de ar.
4. Retire o elemento e depois limpe-o com uma solução de água quente e detergente suave, secando muito bem depois disso.
5. Instale-o em alinhamento com as linhas conforme mostrado na ilustração.
6. Limpe com um pano qualquer óleo que tenha aderido à área em torno da cobertura do filtro de ar e do respirador.
7. Após a limpeza, volte a montar a cobertura do filtro (insira primeiro a patilha superior, depois insira a patilha inferior) e aperte o parafuso de fixação.

LIMPEZA DO FILTRO DE COMBUSTÍVEL

⚠️ ADVERTÊNCIA:

- Desligue o motor. Mantenha afastado de chamas abertas. Não fume.

Intervalo de limpeza e inspeção: Mensalmente (a cada 50 horas de funcionamento)

O filtro de combustível é usado para filtrar o combustível exigido pelo carburador. Deve ser realizada uma inspeção visual periódica ao filtro de combustível.

1. Abra a tampa do depósito de combustível, use um arame de gancho e puxe a cabeça de aspiração através da abertura do depósito.
2. Retire a braçadeira de fixação e puxe o filtro de combustível do tubo do combustível.
3. Lave o filtro de combustível com querosene.
4. Após a lavagem, volte a montá-lo.
5. Se o filtro estiver endurecido ou obstruído, substitua-o por um novo.

Substitua o filtro de combustível pelo menos trimestralmente para assegurar um abastecimento de combustível suficiente para o carburador. Caso contrário, um abastecimento insuficiente de combustível pode provocar falha no arranque do motor e velocidade máxima limitada.

Após a verificação, limpeza ou substituição, prenda o filtro de combustível no tubo de combustível com a braçadeira de fixação.

Empurre o filtro de combustível até ao fundo do depósito de combustível. (Fig. 13)

SUBSTITUIÇÃO DO TUBO DE COMBUSTÍVEL (Fig. 14)

⚠️ ADVERTÊNCIA:

- Desligue o motor. Mantenha afastado de chamas abertas.

Intervalo de limpeza e inspeção: Diariamente (a cada 10 horas de funcionamento)

Substituição: Anualmente (a cada 200 horas de funcionamento)

Substitua o tubo de combustível todos os anos, independentemente da frequência de funcionamento. A fuga de combustível pode originar incêndio.

Se for detetada qualquer fuga durante a inspeção, substitua imediatamente o tubo de combustível.

INSPEÇÃO DOS PARAFUSOS, PORCAS E ROSCAS

- Volte a apertar parafusos, porcas, etc. que estejam soltos.
- Verifique o aperto da tampa de combustível e da tampa do óleo. Verifique para ver se há fuga do combustível e do óleo.
- Substitua partes danificadas por novas para funcionamento seguro.

LIMPEZA DAS PEÇAS

- Mantenha sempre o motor limpo passando por ele um trapo.
- Mantenha as aletas do cilindro livres de pó ou sujidade. O pó ou sujidade que adira às aletas pode causar gripegem dos pistões.

Tabela do programa de manutenção periódica

Item	Tempo de funcionamento					
		Antes do funcionamento	Diariamente (10 h)	50 h	200 h	Antes do armazenamento
Óleo do motor	Inspeccionar/encher	○				
	Substituir			○*1		
Aperto das peças (parafuso, porca)	Inspeccionar	○				
Depósito de combustível	Limpar/inspeccionar	○				
	Esvaziar combustível					○
Alavanca do acelerador	Verificar função	○				
Interruptor I-O (LIGAR/DESLIGAR)	Verificar função	○				
Filtro de ar	Limpar		○			
Vela de ignição	Inspeccionar		○			
	Limpar/ajustar				○	
Refrigeração da passagem do ar e aletas do cilindro	Limpar/inspeccionar		○			
Tubo de combustível	Inspeccionar		○			
	Substituir				◎*2	
Filtro de combustível	Limpar/substituir			○		
Folga da válvula (válvula de admissão e válvula de escape)	Inspeccionar/ajustar				◎*2	
Vistoria do motor se necessário					◎*2	
Carburador	Esvaziar combustível					○
Conjunto da bomba	Limpar		○			
Filtro coletor	Inspeccionar/limpar	○				

*1 Execute a substituição inicial após 20 h de funcionamento.

Antes de mudar o óleo, verifique uma forma adequada de eliminar o óleo usado. Não coloque pelas sarjetas abaixo, em terra de jardim ou em cursos de água abertos. Os seus regulamentos locais de delimitação de zonas ou ambientais dar-lhe-ão instruções mais detalhadas sobre a eliminação adequada.

*2 Para a inspeção de funcionamento das 200 horas, solicite ao centro de assistência autorizado.

ARMAZENAMENTO

⚠️ ADVERTÊNCIA:

- Quando drenar o combustível, certifique-se de que para o motor e confirma que o motor arrefece. Mesmo após parar o motor, este ainda pode estar quente havendo possibilidade de queimaduras, inflamabilidade e incêndio.

⚠️ PRECAUÇÃO:

- Quando o equipamento for mantido fora de funcionamento durante um longo período de tempo, drene todo o combustível do depósito de combustível e mantenha-o num local seco e limpo.

Antes do armazenamento

1. Remova completamente qualquer água do orifício de drenagem.
2. Puxe suavemente a pega do arranque de cabo no motor até sentir resistência.
3. Após retirar o combustível do depósito de combustível, pressione a bomba de ferrar até o combustível no tubo de gasolina se esgotar. Retire o combustível da bomba uma vez mais.
4. Coloque a alavanca do acelerador na posição "L".
5. Limpe qualquer sujidade ou poeira.
6. Armazene a bomba num local seco, quente onde não haja a possibilidade de congelar.

Transporte

Quando levantar e transportar a máquina, segure firmemente na pega com ambas as mãos.

RESOLUÇÃO DE PROBLEMAS

Antes de efetuar um pedido de reparações, verifique o problema você mesmo. Se for detetada qualquer anormalidade, controle a sua máquina de acordo com a descrição deste manual. Nunca adultere nem desmonte qualquer parte contrariamente à descrição. Para reparações, contacte o centro de assistência autorizado.

Problema	Causa	Solução
Motor não arranca.	Incapacidade de operar a bomba de ferrar.	Impulsione 7 a 10 vezes.
	Baixa velocidade de tração do arranque de cabo.	Puxe com força.
	Falta de combustível.	Coloque combustível.
	Filtro de combustível obstruído.	Limpe-o.
	Tubo do combustível desligado.	Ligue corretamente o tubo do combustível.
	Tubo do combustível dobrado.	Endireite o tubo do combustível.
	Combustível deteriorado.	Combustível deteriorado torna o arranque mais difícil. Substitua com combustível novo. (Substituição recomendada: 1 mês)
	Aspiração excessiva do combustível.	Coloque a alavanca do acelerador para a posição intermédia ou "H", e puxe a pega do arranque até o motor arrancar. Se o motor não arrancar, retire a vela de ignição, seque o eletrodo e volte a montá-los como estavam originalmente. Depois, arranque conforme especificado.
	Tampa do bujão retirada.	Prenda em segurança.
	Vela de ignição contaminada.	Limpe-o.
	Folga anormal da vela de ignição.	Ajuste a folga.
	Outra anormalidade da vela de ignição.	Substitua-a.
	Carburador anormal.	Faça pedido para inspeção e manutenção.
Cabo de arranque não pode ser puxado.	Faça pedido para inspeção e manutenção.	
Sistema de transmissão anormal.	Faça pedido para inspeção e manutenção.	

Motor para cedo Velocidade do motor não aumenta.	Aquecimento insuficiente.	Execute operação de aquecimento.
	Alavanca do estrangulador está colocada em "CLOSE" embora o motor esteja aquecido.	Coloque em "OPEN".
	Filtro de combustível obstruído.	Limpe-o.
	Filtro de ar contaminado ou obstruído.	Limpe-o.
	Carburador anormal.	Faça pedido para inspeção e manutenção.
	Sistema de transmissão anormal.	Faça pedido para inspeção e manutenção.
A bomba não funciona.	Aderência do impulsor.	Peça ao seu centro de assistência local autorizado Makita para o reparar.
Volume de bombagem é pequeno.	Entra ar no lado de aspiração.	Verifique a tubagem no lado de aspiração.
	Desça a potência do motor.	Peça ao seu centro de assistência local autorizado Makita para o reparar.
	Rutura do vedante mecânico.	Substitua o empanque.
	Aspiração elevada.	Baixe a aspiração.
	Mangueira fina, longa ou com nó.	Engrosse, encurte ou endireite.
	Fuga de água da passagem de água.	Pare a fuga.
	Obstrução de matéria estranha no impulsor.	Peça ao seu centro de assistência local autorizado Makita para o reparar.
	Desgaste do impulsor.	Peça ao seu centro de assistência local autorizado Makita para o reparar.
A bomba não é autoferrante.	Aspiração de ar no lado de aspiração.	Verifique a tubagem no lado de aspiração.
	Água de ferragem insuficiente dentro do corpo da bomba.	Ferrar completamente.
	Aperto imperfeito do bujão de drenagem.	Aperte por completo os 2 bujões.
	Rotação imperfeita do motor.	Peça ao seu centro de assistência local autorizado Makita para o reparar.
	Entrada de ar do vedante mecânico.	Substitua o empanque.

Forklaring af general oversigt

1 Prop (spædning)	13 Lydpotte	25 Prop (spædning)
2 Forsyning	14 Chokergreb	26 Forsyning
3 Sugning	15 Starterknap	27 Sugning
4 Prop (udløb)	16 Rekyllstarter	28 Sigte
5 Pumpehus	17 Oliemåler	29 Slange (ekstraudstyr)
6 Håndtag	18 Indstillingsbase	30 Oliemåler
7 Tændrørsdæksel	19 Gasspændsarm	31 Øvre niveau
8 Luffilter	20 Pakning	32 Nedre niveau
9 Tankhætte	21 Slangekobling	33 Brændstoftankhætte
10 Brændstoftank	22 Fingermøtrik	34 Øvre niveau
11 Spædepumpe	23 Slangebånd	35 Brændstoftank
12 I-O (Til/Fra) omskifter	24 Slange	36 Brændstofrør

Tak for købet af denne MAKITA motorpumpe. Vi er glade for at kunne anbefale dig denne MAKITA motorpumpe, som er et resultat af et langt udviklingsprogram og mange års viden og erfaring.

Læs venligst dette hæfte, som i detaljer refererer til de forskellige punkter, som vil demonstrere dens enestående ydelse. Dette vil hjælpe dig med at opnå det bedst mulige resultat af din MAKITA motorpumpe.

SYMBOLER

De følgende symboler anvendes i brugsanvisningen.



Læs brugsanvisningen og følg advarslerne og sikkerhedsforskrifterne.



Udvis særlig omhu og opmærksomhed.



Brug aldrig motoren inden døre.



Rør ikke ved motoren, mens den er varm.



Brug af åben ild forbudt!



Kontroller olieniveauet inden start.



CE-mærke

⚠ ADVARSEL:

• LÆS OG FORSTÅ VENLIGST DENNE BRUGSANVISNING HELT, INDEN DU BEGYNDER AT BRUGE MASKINEN.

De følgende ⚠ mærker repræsenterer vigtig information om sikkerhed. Overhold altid disse instruktioner. Forkert brug af udstyret kan resultere i alvorlige ulykker.

⚠ **FARE:** Forsømmelse af at overholde instruktionerne kan resultere i død eller alvorlig tilskadekomst.

⚠ **ADVARSEL:** Forsømmelse af at følge ADVARSEL-instruktionerne kan resultere i alvorlig tilskadekomst eller død af maskinoperatøren, omkringstående personer eller en person, der inspicerer eller reparerer maskinen.

⚠ **FORSIGTIG:** Mærket FORSIGTIG angiver specielle forholdsregler, der skal tages, for at undgå personskaade og skade på maskinen.

BEMÆRK: Mærket BEMÆRK giver vigtig information om, hvordan fremgangsmåder bliver nemmere eller tydeligere.

SIKKERHEDSINSTRUKTIONER

- Denne brugsanvisning forklarer udstyrets generelle brug og dets sikkerhedsregler. Læs denne brugsanvisning omhyggeligt, inden udstyret tages i brug. Overhold ligeledes sikkerhedsreglerne.
- Opbevar denne brugsanvisning på et sikkert sted til fremtidig reference. Hvis denne brugsanvisning bortkommer eller lider skade, skal du straks bede et autoriseret Makita servicecenter om et nyt eksemplar.
- Hvis du udlåner eller forærer udstyret til en anden person, skal du altid lade brugsanvisningen og andet informationsmateriale følge med.
- Grundet vores fortløbende forskningsprogram og udvikling, kan produktspecifikationerne blive ændret uden varsel. Illustrationer og/eller indhold i denne brugsanvisning kan afvige fra det faktiske produkt.
- Ret gerne henvendelse til din lokale forhandler eller et autoriseret Makita servicecenter, hvis du har behov for hjælp angående flere detaljer.

Maskinens brugsformål

Dette udstyr er kun beregnet til vanding og overrisling med vand.

Dette udstyr anvendes kun til at pumpe rent vand.

△ FARE:

- Udfør ikke nogen modifikationer eller ændringer af udstyret.
- Brug ikke udstyret til andet end dets beregnede formål.
- Brug kun originale, godkendte udskiftningsdele til vedligeholdelse og reparation.
- Forsømmelse af at følge ovenstående advarsler kan medføre alvorlig skade på udstyret og personskade.

SIKKERHEDSFORSKRIFTER FOR UDS TØDNING

- Indånd aldrig udstødningsgasser. De indeholder kulilte, en farveløs, lugtfri og yderst farlig gas, som kan medføre bevidstløshed og/eller død.
- Lad aldrig maskinen køre inden døre eller i et dårligt ventileret område som f.eks. en tunnel, et indelukke etc.
- Udvis den største påpasselighed, når maskinen anvendes nær personer eller dyr.
- Hold udstødningsrøret fri for fremmedlegemer.

SIKKERHEDSFORSKRIFTER FOR PÅFYLDNING AF BRÆNDSTOF

- Sørg for at stoppe maskinen inden påfyldning af brændstof.
- Overfyld ikke brændstoftanken.
- Hvis der spildes brændstof, skal det omhyggeligt tørres op, og man skal vente til det er tørret, inden motoren startes.
- Kontroller efter påfyldning af brændstof, at brændstoftankens hætte er sat godt fast, så spild af brændstof forhindres.

FORHINDRING AF BRAND

- Brug ikke udstyret, mens du ryger, eller i nærheden af åben ild.
- Brug ikke udstyret nær tørre buske, kviste, klude eller andre brændbare materialer.
- Hold motoren på en afstand af mindst 1 meter fra bygninger eller andre strukturer.
- Hold motoren borte fra brændbare og andre farlige materialer (affald, klude, smøremidler, sprængstoffer).

Gælder kun lande i Europa

EU-konformitetserklæring

Vi, Makita Corporation, erklærer som den ansvarlige producent, at den følgende Makita-maskine (maskiner):

Betegnelse af maskine: Motorpumpe
Modelnr./ Type: EW1050H, EW1060H
Specifikationer: se oversigten "TEKNISKE DATA"

er serieproduceret og

i overensstemmelse med de følgende europæiske direktiver:

2000/14/EC, 2006/42/EC, 2010/26/EU,
2004/108/EC, 2000/14/EC, 2005/88/EC

og er fremstillet i overensstemmelse med de følgende standarder eller standardiserede dokumenter:
EN 809, EN 55012

Den tekniske dokumentation opbevares af:

Makita International Europe Ltd., Teknisk Afdeling,
Michigan Drive, Tongwell, Milton Keynes, Bucks
MK15 8JD, England

Proceduren for konformitetsfastsættelse som krævet af
Direktiv 2000/14/EC er i overensstemmelse med tillæg V.

Målt lydbelastningsniveau: 100,9 dB(A)
Garanteret lydbelastningsniveau: 109 dB(A)

31.8.2012

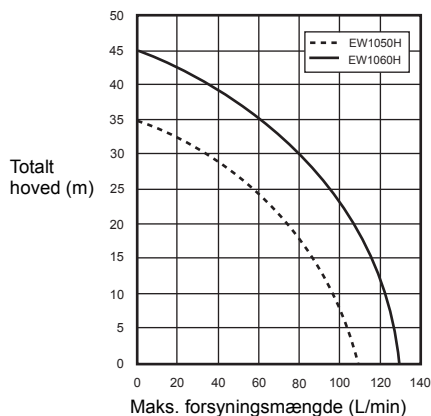


Tomoyasu Kato
Direktør
Makita Corporation
3-11-8, Sumiyoshi-cho,
Anjo, Aichi, JAPAN

TEKNISKE DATA

		EW1050H	EW1060H	
Vægt	kg	5,8	7,3	
Mål	mm	327 x 231 x 319	356 x 234 x 336	
Type		Selvansugende CENTRIFUGALPUMPE		
Mål (sugning-afgivning)	inch	1		
Totalt hoved	m	35	45	
Maks. forsyningsmængde	L/min	110	130	
Maks. sugetrykhøjde	m	8	8	
Mængde (brændstoftank)	L	0,5	0,65	
Mængde (olietank)	L	0,08	0,1	
Motorslagvolumen	cm ³	24,5	33,5	
Maks. motorydelse	kW	0,71 ved 7 000 min ⁻¹	1,07 ved 7 000 min ⁻¹	
Karburator	type	Membran		
Tændingssystem	type	Fast tilstand tænding		
Tændrør	type	NGK CMR6A		
Elektrodemellemrum	mm	0,7 – 0,8		
Brændstof		Automobilbenzin		
Motorolie		SAE 10W-30 olie af API Klassifikation, Klasse SF eller højere (4-takts motor til automobil)		
Anvendelig vandtemperatur	°C	5 – 40	5 – 40	
Lydtryksniveau	L _{pA,eq}	dB (A)	88,4	88,4
	Usikkerhed K	dB (A)	3	3
Lydstyrkeniveau	L _{wA, d}	dB (A)	109	109

Bemærk: Brug høreværn under driften.



BETEGNELSE AF DELE (Fig. 1 og 2)

SAMLING (Fig. 3)

⚠ ADVARSEL:

- Stop altid maskinen, inden du udfører noget arbejde på udstyret.
- Start kun maskinen, efter at du har samlet udstyret helt.

INSTALLATION AF SLANGE

1. Montér slangekoblingerne på pumpen.

⚠ FORSIGTIG:

- Når koblingen monteres på pumpen, skal man sikre sig, at pakningen sidder på plads.
2. Sæt slangerne på koblingerne med bånd. Kontroller at slangebåndet er ordentligt strammet.
 3. Sæt sigtet på indgangsslansens ende.

BEMÆRK:

- Hvis der kommer luft ud, kan vandet ikke blive trukket op.

⚠ FORSIGTIG:

- Fjern ikke sigtet, da dette kan øve skade på pumpen grundet fremmedlegemer.
Kontroller at slangebåndet er ordentligt strammet.

KONTROLLER INDEN DRIFTEN

⚠ ADVARSEL:

- Stop altid maskinen, inden du udfører noget arbejde på udstyret. Udfør altid arbejdet på en flad og stabil overflade.
- Kontroller udstyret for løse skruer og løse tilslutningsdele, inden maskinen startes.
- Undgå at røre ved motoren og lydporten med nogen legemsdele eller tøj under inspektion eller reparation, mens de stadig er varme.
- Vær særlig påpasselig med ventilationen. Vær på vagt over for CO-forgiftning.

INSPEKTION OG PÅFYLDNING AF MOTOROLIE (Fig. 4)

Udfør følgende fremgangsmåde med motoren nedkølet.

- Sørg for, at motoren er i vandret stilling.
- Skru ikke oliemåleren ind i oliefilteret for at kontrollere olieniveauet.
- Kontroller, at olieniveauet er mellem den nedre og øvre grænse på oliemåleren.
- Påfyld olie, hvis olieniveauet er under den nedre grænse.
- Det kan være nødvendigt at påfylde olie efter ca. hver 10. driftstime (hver 10. genopfyldning).
- Hvis olien skifter farve eller blandes med snavs, skal den skiftes ud med frisk olie.

Anbefalet olie: SAE 10W-30 olie af API Klassifikation, Klasse SF eller højere (4-takts motor til automobil)

Oliemængde:

For model EW1050H: Ca. 0,08 L

For model EW1060H: Ca. 0,1 L

BEMÆRK:

- Hvis motoren ikke er placeret vandret, kan en unøjagtig angivelse af olieniveauet forekomme og olien kan flyde over. Påfyldning af olie over den øvre grænse kan forårsage olieforurening eller hvid røg.

Påfyldning af motorolie

1. Hold motoren vandret og fjern oliemåleren.
2. Fyld olie på op til det øvre grænsemærke. Brug en olieflaske, når der påfyldes.
3. Stram oliemåleren godt til. Utilstrækkelig stramning kan medføre olielækage.

Efter oliepåfyldning

- Tør straks al evt. spildt olie bort med en klud.

Udskiftning af olie: Oliemåler

- Fjern støv eller snavs i nærheden af oliepåfyldningsåbningen.
- Hold den aftagne oliemåler fri for sand og støv. I modsat fald kan sand eller støv, der sætter sig fast på olie-hætten, resultere i problemer som uregelmæssig olie-cirkulation eller slitage af motordelene.

BRÆNDSTOF

⚠ ADVARSEL:

- Brændstof er yderst brandfarligt og giftigt. Hold borte fra åben ild (cigaretter, ovne, fyrværkeri), elektriske gnister (batterier, kortslutninger, gnister fra kortsluttede kontakter, gnister fra svejsning etc.), når brændstoffet håndteres.
- Sørg for at stoppe motoren inden påfyldning. Foretag ikke påfyldning, mens motoren stadig er varm.
- Udover ved påfyldning, skal der altid udvises fornøden agtpågivenhed, selv når der hældes brændstof over på en lille beholder.
- Efter påfyldning strammes brændstoftankens hætte godt til og evt. spildt olie tørrer helt bort.

Håndtering af brændstof

Brændstof skal håndteres med den største forsigtighed. Brændstof kan indeholde substanser, der har lighed med opløsningsmidler. Påfyldning af brændstof skal udføres i et tilstrækkeligt ventileret rum eller i fri luft. Indånd aldrig brændstofdamp og hold god afstand til brændstoffet. Hvis du regelmæssigt rører ved brændstof i længere tid, vil huden blive tør, hvilket kan medføre hudsygdom eller allergi. Hvis du får brændstof i øjnene, skal du skylle øjnene med rent vand. Hvis der stadig er øjenirritation, skal du søge lægehjælp.

Oplagringsperiode for brændstof

Brændstof bør bruges inden for en periode af 4 uger, selv hvis det opbevares i en speciel beholder på et ventileret og skyggefuldt sted.

I modsat fald kan brændstof forringes på bare én dag.

Opbevaring af maskinen og påfyldningstanken

- Opbevar maskinen og tanken på et køligt sted uden direkte sol.
- Opbevar aldrig brændstoffet i en bil.

Brændstofftype:

Motoren er en firetakts motor. Sørg for at anvende blyfri automobilbenzin 87 eller højere oktan ((R+M)/2). Det må ikke indeholde mere end 10% alkohol (E-10).

- Brug aldrig en benzinblanding, der indeholder motorolie. Dette vil bevirke for meget kulakkumulation eller mekaniske problemer.

Brændstoftankens kapacitet:

For model EW1050H: 0,5 L

For model EW1060H: 0,65 L

Påfyldning (Fig. 5)

1. Hold motoren i en vandret stilling.
 2. Løsn brændstoftankens hætte en smule for at lette trykket i tanken.
 3. Fjern brændstoftankens hætte og fyld brændstof på. Fyld IKKE brændstof på op til toppen af tanken.
 4. Efter påfyldning strammes brændstoftankens hætte godt til.
- Aftør ydersiden af brændstoftankens hætte for at forhindre, at der kommer affald ind i brændstoftanken.
 - Hvis der er en fejl i eller beskadigelse af brændstoftankens hætte, skal den skiftes ud med en ny.
 - Brændstoftankens hætte bliver slidt i tidens løb. Skift den ud hvert andet eller tredje år.
 - Fyld IKKE brændstof i oliepåfyldningsåbningen.

Spædningsvand (Fig. 6)

⚠ FORSIGTIG:

- Start ikke pumpen uden vand i pumpehuset. Dette kan bervirke, at den mekaniske tætning lider skade.

Fjern spædeproppen og tilføj rent vand, indtil pumpehuset er fyldt op med vand. Efter påfyldning strammes spædeproppen.

BEMÆRK:

- Hvis indtaget af vand ikke er tilstrækkeligt, vil den selvansugende kapacitet blive lavere.
- Sørg for, at pumpen er anbragt på et fast underlag og så nær en tilgængelig vandkilde om muligt.
- Jo højere sugehovedet er, desto mere tid kræves der til spædning med en mindre afgivning.

KONTROL AF MOTOREN:

- Kontroller omhyggeligt brændstofslinger og koblinger for løshed og brændstoflækage. Lækket brændstof udgør en potentielt farlig situation.
- Kontroller om der er løse bolte og møtrikker. Stram dem, der måtte være løse. En løs bolt eller møtrik kan forårsage alvorlige motorproblemer.
- Kontroller motorolien og fyld om nødvendigt på.
- Kontroller brændstofniveaue og fyld om nødvendigt på. Vær påpasselig med ikke at fylde for meget på tanken.
- Hold cylinderfinerne og rekylstarteren fri for snavs, græs og andet affald.
- Bær kropsnært arbejdstøj, når du bruger maskinen.

ANVENDELSE

⚠ ADVARSEL:

- Rør aldrig ved en varm lydpotte, specielt når motoren startes igen. Motorens lydpotte bliver varm efter at motoren har været i gang.
- Sæt ikke hænderne eller fremmedlegemer i aflastningsventilerne, når pumpen er i brug.

⚠ ADVARSEL:

Vær på vagt over for vandslag

- Tillad ikke at hjulet på et køretøj kører over tryksslangen. Luk ikke trykventilen abrupt, da der vil opstå et vandslag, som kan resultere i alvorlig skade på pumpen.

Start:

⚠ FORSIGTIG:

- Da smørelolie endnu ikke har spredt sig tilstrækkeligt, må man ikke give motoren gas, lige efter at den er startet. Unødvendigt høje omdrejninger vil afkorte udstyrets levetid eller medføre beskadigelse.

1. Kontroller, at pumpehuset er fyldt med vand.
2. Kontroller, at sigtet er anbragt under vandet.

⚠ FORSIGTIG:

- Anvend en forebyggende metode, når bunden af vandet er dækket af mudder eller sand.
3. Kontroller, at der ikke er nogen forhindringer i mundingen af tryksslangen.
 4. Drej motor I-O (TIL/FRA) kontakten til "I" (TIL) stilling.
 5. Kontroller, at gasspjældsarmen angiver "L". (Fig. 7)
 6. Fortsæt med at trykke på spædepumpen, indtil der kommer brændstof ind i spædepumpen. (Generelt 7 til 10 tryk.)

7. Indstil chokergrebet.

- Hvis motoren er kold eller den omgivende temperatur er lav, skal chokergrebet lukkes helt. (Fig. 8)
- Hvis motoren er varm eller den omgivende temperatur er høj, skal man åbne chokergrebet halvt eller holde det helt åbent.

8. Træk forsigtigt i starterknappen, indtil en vis modstand mærkes. Returner derefter starterknappen og træk kraftigt i den.

Træk aldrig rebet ud til fuld længde.

Når starterknappen er trukket, må man aldrig slippe den med det samme. Hold starterknappen, indtil den returnerer til dens udgangspunkt.

Hvis det er svært at starte motoren, skal du åbne gas-håndtaget med cirka en 1/3.

9. Når motoren er startet, skal man sætte chokergrebet til stilling "OPEN", hvis du har lukket chokergrebet. (Fig. 9)

10. Lad motoren få tid til at varme ordentligt op. Fortsæt opvarmningen i 2 til 3 minutter i "L"-stilling.

Kørsel af motoren:

Drej gasspjældsarmen til mellemstillingen, og kontroller at der kommer vand ud af tryksslangen.

Afsluttende betjening

Standstning af motoren

Drej gasspjældsarmen til "L"-stillingen for at indstille motoren til den laveste omdrejning.

Drej motor I-O (TIL/FRA) kontakten til "O" (FRA) stilling.

Udtømning af vand efter brug

Vand inden i pumpehuset fryser ved under 0°C om vinteren, og pumpen kan muligvis gå i stykker. Efter brugen udtømmes vand fra udtømningen i bunden for at gemme det.

SERVICERINGS- INSTRUKTIONER

⚠ ADVARSEL:

- Stop altid maskinen, inden du udfører noget arbejde på udstyret. Udfør ikke noget arbejde, mens motoren stadig er varm.

⚠ FORSIGTIG:

- Vask ikke motoren med vand under servicering.

UDSKIFTNING AF MOTOROLIE

⚠ ADVARSEL:

- Motoren og motorolien er stadig varme lige efter at motoren er stoppet. Giv motoren og motorolien tilstrækkelig tid til at køle ned. Ellers kan hudforbrændinger blive resultatet.

⚠ FORSIGTIG:

- Undersøg hvordan du bortskaffer gammel olie på en passende måde, inden du skifter olie. Hæld ikke olien i kloakken, ud over havejord eller i rindende vandløb. Din lokale zone- eller miljøregulationer vil give dig mere detaljerede instruktioner om korrekt bortskaffelse. Forringet motorolie afkorter motorens levetid. Sørg for at kontrollere olien og niveaue med jævne mellemrum.

BEMÆRK:

- Hvis der påfyldes olie til over grænsen, kan olien blive forurennet eller kan bryde i brand med afgivelse af vind røg. Sørg for at vente tilstrækkelig længe, efter at motoren er stoppet, så motorolien kan returnere til olietanken, for at sikre en nøjagtig udlæsning af olieniveauet.

Udskiftningsinterval: Efter de første 20 driftstimer, efterfulgt af hver 50 driftstimer.

Anbefalet olie: SAE 10W-30 olie af API Klassifikation, Klasse SF eller højere (4-takts motorolie til automobil)

Oliemængde:

For model EW1050H: Ca. 0,08 L

For model EW1060H: Ca. 0,1 L

1. Fjern oliemåleren. (Fig. 10)

1. Vær påpasselig med at anbringe oliemåleren på et sted, hvor den ikke vil samle støv, snavs eller andre fremmedlegemer.
2. Anbring et stykke stof eller en papirserviet over området omkring oliefilterhullet.
3. Fjern oliemåleren og vip derefter motoren og tøm olien ud i en bakke eller en anden beholder.
4. Anbring udstyret på en plan flade. Hæld olien i fra en trykflaske eller en anden passende beholder. Fyld olie på til punktet for overfyldning på påfyldningsstuds. (Fig. 4)
5. Sæt oliemåleren i igen, efter at der er fyldt olie på motoren. Sørg for, at oliemåleren er stram, da olie vil sive ud, hvis den er løs.

KONTROL AF TÆNDRØRET (Fig. 11)

⚠ FORSIGTIG:

- Rør aldrig ved tændrørskonnektoren, mens motoren er i gang (fare for højspændingsstød).

Rengørings- og inspektionsinterval: Dagligt (for hver 10 driftstimer)

- Brug kun den medfølgende universalnøgle til at fjerne og montere tændrøret.
 - Mellemrummet mellem tændrørets to elektroder bør være 0,7 – 0,8 mm.
- Justér mellemrummet, hvis det er for stort eller for lille. Hvis tændrøret er tilstoppet eller forurennet, skal det renses grundigt eller skiftes ud med et nyt.

RENGØRING AF LUFTFILTER (Fig. 12)

⚠ ADVARSEL:

- Sluk for motoren. Hold borte fra åben ild. Et snavset luftfilterelement medfører startvanskeligheder, krafttab, fejlfunktion af motoren og forkorter motorens levetid betragteligt. Hold luftfilterelementet rent.

Rengørings- og inspektionsinterval: Dagligt (for hver 10 driftstimer)

1. Sæt chokergrebet i den helt lukkede stilling, så støv og snavs ikke får lov til at trænge ind i karburatoren.
2. Fjernelse af luftfilterdækslets fastspændingsbolt.
3. Træk dækslets nedre kant ud for at fjerne luftfilterdækslet.
4. Fjern elementet og rengør det med en opløsning af varmt vand og et mildt rengøringsmiddel og tør det derefter helt.
5. Monter det parallelt med linjerne som vist på illustrationen.
6. Aftør al olie, som findes i området omkring luftfilterdækslet og ånderøret, med en klud.

7. Efter rengøringen samles luftfilterdækslet igen (sæt først fligen ind øverst og sæt derefter den nederste flig ind) og stram fastspændingsbolten.

RENGØRING AF BRÆNDSTOFFILTERET

⚠ ADVARSEL:

- Sluk for motoren. Hold borte fra åben ild. Undlad at ryge.

Rengørings- og inspektionsinterval: Månedligt (for hver 50 brugstimer)

Brændstoffilteret tjener til at filtrere det brændstof, som kræves til karburatoren. Der skal udføres en periodisk, visuel inspektion af brændstoffilteret.

1. Åbn brændstoffilterets hætte, brug en trådkrog og træk sugehovedet ud gennem tankåbningen.
2. Fjern slangeklemmen og træk brændstoffilteret ud fra brændstofføret.
3. Rengør brændstoffilteret med petroleum.
4. Saml det igen, når det er vasket.
5. Hvis filteret er hårdt eller tilstoppet, skal det skiftes ud med et nyt.

Skift brændstoffilteret ud mindst hvert kvartal for at sikre tilstrækkelig forsyning af brændstof til karburatoren. I modsat fald kan en utilstrækkelig forsyning af brændstof bevirke, at motoren ikke starter og begrænset maks. hastighed.

Efter kontrol, rengøring eller udskiftning, skal man fastgøre brændstoffilteret på brændstofføret med slangeklemmen.

Tryk brændstoffilteret hele vejen ind til bunden af brændstofføret. (Fig. 13)

UDSKIFTNING AF BRÆNDSTOFFRØR (Fig. 14)

⚠ ADVARSEL:

- Sluk for motoren. Hold borte fra åben ild.

Rengørings- og inspektionsinterval: Dagligt (for hver 10 driftstimer)

Udskiftning: Årligt (for hver 200 driftstimer)

Skift brændstofføret ud hvert år, uanset brugshyppigheden. Lækage af brændstof kan føre til brand.

Hvis en lækage registreres under inspektion, skal brændstofføret straks skiftes ud med et nyt.

INSPEKTION AF BOLTE, MØTRIKKER OG

SKRUER

- Stram løse bolte, møtrikker etc. igen.
- Kontroller, at brændstoffilterets hætte og oliehaten er strammet. Kontroller, om der er lækage af brændstof og olie.
- Skift beskadigede dele ud med nye, så en sikker anvendelse opnås.

RENGØRING AF DELE

- Hold altid motoren ren ved at tørre den af med en klud.
- Hold cylinderfinnerne fri for støv og snavs. Støv og snavs, som sætter sig på finnerne, kan medføre stempelstop.

Oversigt over periodisk vedligeholdelse

Punkt	Brugstid	Inden brug	Dagligt (10 t)	50 t	200 t	Inden opbevaring
Motorolie	Inspicér/fyld på igen	○				
	Udskift			○*1		
Stramning af dele (bolt, møtrik)	Inspicér	○				
Brændstoftank	Rengør/inspicér	○				
	Udtøm brændstof					○
Gasspjældsarm	Kontrollér funktion	○				
I-O (TIL/FRA) omskifter	Kontrollér funktion	○				
Luftfilter	Rengør		○			
Tændrør	Inspicér		○			
	Rengør/justér				○	
Afkøling af luftpassage og cylinderfinner	Rengør/inspicér		○			
Brændstofrør	Inspicér		○			
	Udskift				◎*2	
Brændstoffilter	Rengør/udskift			○		
Ventilafstand (indsugningsventil og udstødningsventil)	Inspicér/justér				◎*2	
Hovedeftersyn af motoren om nødvendigt					◎*2	
Karburator	Udtøm brændstof					○
Pumpeindstilling	Rengør		○			
Sigte	Inspicér/rengør	○				

*1 Udfør første udskiftning efter 20 timers drift.

Undersøg hvordan du bortskaffer gammel olie på en passende måde, inden du skifter olie. Hæld den ikke ned i kloakken, ud over havejord eller i rindende vandløb. Din lokale zone- eller miljøregulationer vil give dig mere detaljerede instruktioner om korrekt bortskaffelse.

*2 Ret henvendelse til et autoriseret servicecenter angående inspektion efter 200 driftstimer.

OPBEVARING

⚠ ADVARSEL:

- Når brændstoffet udtømmes, skal man sørge for at stoppe motoren og bekræfte at motoren er neckølet. Lige efter at motoren er stoppet, kan den stadig være varm, hvilket kan give risiko for forbrændinger, brændbarhed og brand.

⚠ FORSIGTIG:

- Når udstyret ikke har været anvendt i længere tid, skal man udtømme alt brændstof fra brændstoftanken og opbevare det på et tørt, rent sted.

Inden opbevaring

- Fjern alt vand helt fra udtømningsåbningen.
- Træk forsigtigt i rekylstarterhåndtaget på motorenheden, indtil der mærkes modstand.

- Når brændstof er fjernet fra brændstoftanken, skal man trykke på spædepumpen, indtil brændstoffet i gasrøret er løbet ud. Fjern brændstoffet en gang til fra pumpen.

- Sæt gasspjældsarmen til "L"-stillingen.
- Tør al snavs eller støv bort.
- Opbevar pumpen på et tørt, varmt sted, hvor der ikke er risiko for frost.

Transport

Når maskinen løftes og transporteres, skal man holde godt fast i håndtaget med begge hænder.

FEJLFINDING

Kontroller selv om der er problemer, inden du bestiller reparation. Kontroller din maskine i overensstemmelse med beskrivelsen i denne brugsanvisning, hvis noget unormalt findes. Lad være med at ændre eller afmontere nogen dele i modsætning til beskrivelsen. Kontakt et autoriseret servicecenter angående reparationer.

Problem	Årsag	Afhjælpning
Motoren starter ikke.	Spædepumpen kan ikke betjenes.	Tryk 7 til 10 gange.
	Lav træk hastighed for startrebet.	Træk godt til.
	Mangel på brændstof.	Tilføj brændstof.
	Tilstoppet brændstoffilter.	Rengør det.
	Brændstofslangen er ikke tilsluttet.	Tilslut brændstofslangen.
	Bøjet brændstofslange.	Ret brændstofslangen ud.
	Forringet brændstof.	Forringet brændstof gør det sværere at starte. Skift ud med nyt brændstof. (Anbefalet udskiftning: 1 måned)
	For kraftig sugning af brændstof.	Sæt gasspjældsarmen til mellem- eller "H"-stilling og træk i starterhåndtaget, indtil motoren starter. Hvis motoren stadig ikke starter, skal man fjerne tændingsrøret, tørre elektroden og samle dem igen som de var oprindeligt. Start derefter som specificeret.
	Aftaget prophætte.	Sæt godt fast.
	Forurenet tændrør.	Rengør det.
	Unormal afstand mellem tændrørets elektroder.	Justér afstanden.
	Anden unormal tilstand ved tændrøret.	Skift det ud.
	Unormal karburator.	Bed om inspektion og vedligeholdelse.
	Starterreb kan ikke trækkes.	Bed om inspektion og vedligeholdelse.
Unormalt drivsystem.	Bed om inspektion og vedligeholdelse.	
Motoren stopper straks. Motorhastigheden øges ikke.	Utilstrækkelig opvarmning.	Foretag opvarmning.
	Chokergrebet er sat til "CLOSE", selv om motoren er opvarmet.	Sæt til "OPEN".
	Tilstoppet brændstoffilter.	Rengør det.
	Forurenet eller tilstoppet luftfilter.	Rengør det.
	Unormal karburator.	Bed om inspektion og vedligeholdelse.
	Unormalt drivsystem.	Bed om inspektion og vedligeholdelse.
Pumpen virker ikke.	Skovhjul sidder fast.	Få udført reparation hos dit lokale Makita servicecenter.

Pumpemængden er lille.	Luft kommer ind ved sugesiden.	Kontroller rør ved sugesiden.
	Fald i motor-output.	Få udført reparation hos dit lokale Makita servicecenter.
	Brud på mekanisk tætning.	Udskift pakningen.
	Høj sugetrykhøjde.	Sænk sugetrykhøjde.
	Tynd eller lang slange eller bøjning.	Gør tykkere eller kortere eller ret ud.
	Vandlækage fra vandpassagen.	Stop læk.
	Tilstopning af fremmedlegemer i skovlhjul.	Få udført reparation hos dit lokale Makita servicecenter.
	Slitage af skovlhjul.	Få udført reparation hos dit lokale Makita servicecenter.
Pumpen selvansuger ikke.	Luftsugning i sugeside.	Kontroller rør ved sugesiden.
	Utilstrækkeligt spædevand inden i pumpehuset.	Spæd helt.
	Ufuldstændig stramning af aftapningshane.	Stram de 2 propper helt til.
	Ufuldstændig motor-omdrejning.	Få udført reparation hos dit lokale Makita servicecenter.
	Luft kommer ind fra den mekaniske tætning.	Udskift pakningen.

Περιγραφή γενικής όψης

1 Τάπα (προέγχυση)	13 Σιγαστήρας	25 Τάπα (προέγχυση)
2 Παράδοση	14 Μοχλός τσοκ	26 Παράδοση
3 Αναρρόφηση	15 Λαβή εκκινήτη	27 Αναρρόφηση
4 Τάπα (αποστράγγιση)	16 Εκκινήτης ανατύλιξης	28 Σήτα
5 Περιβλήμα αντλίας	17 Μετρητής λαδιού	29 Εύκαμπτος σωλήνας (προαιρετικό αξεσουάρ)
6 Λαβή	18 Βάση	30 Μετρητής λαδιού
7 Κάλυμμα σπινθηριστή	19 Μανέτα	31 Άνω επίπεδο
8 Φίλτρο αέρα	20 Παρέμβυσμα	32 Κάτω επίπεδο
9 Καπάκι ρεζερβουάρ	21 Συζευκτήρας εύκαμπτου σωλήνα	33 Καπάκι ρεζερβουάρ καυσίμου
10 Ρεζερβουάρ καυσίμου	22 Περικόχλιο αντίχειρα	34 Άνω επίπεδο
11 Αντλία προέγχυσης	23 Σφιγκτήρας εύκαμπτου σωλήνα	35 Ρεζερβουάρ καυσίμου
12 Διακόπτης I-O (Ενεργοποίηση/ Απενεργοποίηση)	24 Εύκαμπτος σωλήνας	36 Σωλήνας καυσίμου

Σας ευχαριστούμε πάρα πολύ που αγοράσατε την αντλία κινητήρα της MAKITA. Βρισκόμαστε στην ευχάριστη θέση να σας συστήσουμε την αντλία κινητήρα MAKITA, η οποία είναι το αποτέλεσμα ενός πολύχρονου προγράμματος ανάπτυξης και πολλών ετών γνώσης και πείρας. Διαβάστε αυτό το βιβλίο, στο οποίο αναφέρονται αναλυτικά τα διάφορα σημεία που θα επιδείξουν την εξαιρετική απόδοσή της. Θα σας βοηθήσει να λάβετε το βέλτιστο δυνατό αποτέλεσμα από την αντλία κινητήρα MAKITA.

ΣΥΜΒΟΛΑ

Θα παρατηρήσετε τα ακόλουθα σύμβολα όταν διαβάζετε το εγχειρίδιο οδηγιών.



Διαβάστε το εγχειρίδιο οδηγιών και ακολουθήστε τις προειδοποιήσεις και τις προφυλάξεις για την ασφάλεια.



Απαιτείται ιδιαίτερη φροντίδα και προσοχή.



Μην χρησιμοποιήσετε ποτέ τον κινητήρα σε εσωτερικό χώρο.



Μην αγγίζετε τον κινητήρα όταν είναι ζεστός.



Όχι γυμνές φλόγες!



Ελέγξτε τη στάθμη λαδιού πριν ξεκινήσετε.



Σήμα CE

⚠️ ΠΡΟΕΙΔΟΠΟΙΗΣΗ:

• ΔΙΑΒΑΣΤΕ ΚΑΙ ΚΑΤΑΝΟΗΣΤΕ ΠΛΗΡΩΣ ΑΥΤΟ ΤΟ ΕΓΧΕΙΡΙΔΙΟ ΠΡΙΝ ΘΕΣΕΤΕ ΤΟ ΜΗΧΑΝΗΜΑ ΣΕ ΛΕΙΤΟΥΡΓΙΑ.

Οι ακόλουθες ⚠️ ενδείξεις αντιπροσωπεύουν σημαντικές πληροφορίες για την ασφάλεια. Να τηρείτε πάντα αυτές τις οδηγίες. Η λανθασμένη χρήση του εξοπλισμού μπορεί να έχει ως αποτέλεσμα σοβαρά ατυχήματα.

⚠️ **ΚΙΝΔΥΝΟΣ:** Αν δεν τηρείτε τις οδηγίες, μπορεί να προκληθεί θάνατος ή σοβαρός τραυματισμός.

⚠️ **ΠΡΟΕΙΔΟΠΟΙΗΣΗ:** Αν δεν τηρείτε τις οδηγίες στις ΠΡΟΕΙΔΟΠΟΙΗΣΕΙΣ, μπορεί να προκληθεί σοβαρός τραυματισμός ή θάνατος στον χειριστή του μηχανήματος, σε κάποιον περαστικό ή στο άτομο που ελέγχει ή επισκευάζει το μηχανήμα.

⚠️ **ΠΡΟΣΟΧΗ:** Μια ένδειξη ΠΡΟΣΟΧΗΣ παρουσιάζει ειδικές προφυλάξεις που πρέπει να ληφθούν προκειμένου να αποφευχθεί ο ατομικός τραυματισμός και η πρόκληση ζημιάς στο μηχανήμα.

ΠΑΡΑΤΗΡΗΣΗ: Μια ΠΑΡΑΤΗΡΗΣΗ παρέχει βασικές πληροφορίες ώστε να γίνονται οι διαδικασίες πιο εύκολες ή πιο σαφείς.

ΟΔΗΓΙΕΣ ΑΣΦΑΛΕΙΑΣ

- Σε αυτό το εγχειρίδιο οδηγιών επεξηγείται η γενική χρήση και οι προφυλάξεις για τον εξοπλισμό. Διαβάστε αυτό το εγχειρίδιο οδηγιών προσεκτικά πριν θέσετε τον εξοπλισμό σε λειτουργία. Τηρήστε αυστηρά τους κανόνες για την ασφάλεια.
- Φυλάξτε αυτό το εγχειρίδιο οδηγιών σε ένα ασφαλές μέρος για μελλοντική αναφορά. Σε περίπτωση που χαθεί ή καταστραφεί αυτό το εγχειρίδιο οδηγιών, απευθυνθείτε σε εξουσιοδοτημένο κέντρο σέρβις της Makita για άμεση αντικατάσταση.
- Όταν δανείτε ή δίνετε τον εξοπλισμό σε άλλα άτομα, να δίνετε πάντα, μαζί με τον εξοπλισμό, το εγχειρίδιο οδηγιών και τα άλλα πληροφοριακά υλικά.
- Λόγω του συνεχόμενου προγράμματος που εφαρμόζουμε για έρευνα και ανάπτυξη, οι προδιαγραφές του προϊόντος υπόκεινται σε αλλαγή χωρίς προειδοποίηση. Οι εικόνες ή το περιεχόμενο στο παρόν εγχειρίδιο μπορεί να διαφέρουν από το πραγματικό προϊόν.

- Αν χρειάζεστε οποιαδήποτε βοήθεια για περισσότερες λεπτομέρειες, ρωτήστε τον τοπικό σας αντιπρόσωπο ή εξουσιοδοτημένο κέντρο σέρβις της Makita.

Προοριζόμενη χρήση του μηχανήματος

Αυτός ο εξοπλισμός προορίζεται μόνο για το πότισμα και την άρδευση νερού.

Αυτός ο εξοπλισμός χρησιμοποιείται μόνο για την άντληση καθαρού νερού.

⚠ ΚΙΝΔΥΝΟΣ:

- Μην πραγματοποιείτε τροποποιήσεις ή αλλαγές στον εξοπλισμό.
- Μην χρησιμοποιείτε τον εξοπλισμό για οποιαδήποτε χρήση εκτός από την ενδεδειγμένη.
- Να χρησιμοποιείτε μόνο γνήσια, εγκεκριμένα ανταλλακτικά για τη συντήρηση και την επισκευή.
- Αν δεν τηρείτε τις ανωτέρω προειδοποιήσεις, μπορεί να προκληθεί σοβαρή ζημιά στον εξοπλισμό ή τραυματισμός του προσωπικού.

ΠΡΟΦΥΛΑΞΕΙΣ ΓΙΑ ΤΑ ΚΑΥΣΑΕΡΙΑ

- Μην εισπνέετε ποτέ τα καυσαέρια. Περιέχουν μονοξείδιο του άνθρακα, ένα άχρωμο, άοσμο και εξαιρετικά επικίνδυνο αέριο που μπορεί να προκαλέσει απώλεια αισθήσεων ή θάνατο.
- Μην θέτετε ποτέ τον κινητήρα σε λειτουργία σε εσωτερικό χώρο ή σε περιοχή με ανεπαρκή εξαερισμό, όπως σήραγγα, σπηλιά, κτλ.
- Δείτε πολύ μεγάλη προσοχή όταν χρησιμοποιείτε τον κινητήρα κοντά σε ανθρώπους ή ζώα.
- Διατηρείτε το σωλήνα καυσαερίων καθαρό από ξένα αντικείμενα.

ΠΡΟΦΥΛΑΞΕΙΣ ΓΙΑ ΤΟΝ ΑΝΕΦΟΔΙΑΣΜΟ

- Φροντίστε να σβήσετε τον κινητήρα πριν από τον ανεφοδιασμό.
- Μην γεμίζετε υπερβολικά το ρεζερβουάρ καυσίμου.
- Αν χυθεί καύσιμο, σκουπίστε το προσεκτικά και περιμένετε μέχρι να στεγνώσει το καύσιμο για να βάλετε μπρος τον κινητήρα.
- Μετά τον ανεφοδιασμό, βεβαιωθείτε ότι η τάπα καυσίμου είναι ασφαλισμένη ώστε να αποφευχθεί η έκχυση.

ΠΡΟΛΗΨΗ ΠΥΡΚΑΓΙΑΣ

- Μην θέτετε τον εξοπλισμό σε λειτουργία ενώ καπνίζετε ή αυτός βρίσκεται κοντά σε γυμνή φλόγα.
- Μην χρησιμοποιείτε τον εξοπλισμό κοντά σε ξερούς θάμνους, κλαδιά, πανιά ή άλλα εύφλεκτα υλικά.
- Να διατηρείτε τον κινητήρα τουλάχιστον 1 μέτρο μακριά από κτίρια ή άλλες δομές.
- Να διατηρείτε τον κινητήρα μακριά από εύφλεκτα υλικά ή άλλα επικίνδυνα υλικά (σκουπίδια, πατασαβούρια, λιπαντικά, εκρηκτικά).

Για ευρωπαϊκές χώρες μόνο

Δήλωση συμμόρφωσης ΕΚ

Η Makita Corporation, ως ο υπεύθυνος κατασκευαστής, δηλώνει ότι το ακόλουθο μηχάνημα της Makita:

Χαρακτηρισμός μηχανήματος: Αντλία κινητήρα
Αρ. μοντέλου/ Τύπος: EW1050H, EW1060H
Προδιαγραφές: δείτε τον πίνακα "ΤΕΧΝΙΚΑ ΣΤΟΙΧΕΙΑ"

είναι εν σειρά παραγωγή και

συμμορφώνονται με τις ακόλουθες Ευρωπαϊκές Οδηγίες:

2000/14/EC, 2006/42/EC, 2010/26/EU,
2004/108/EC, 2000/14/EC, 2005/88/EC

και κατασκευάζεται σύμφωνα με τα ακόλουθα πρότυπα ή έγγραφα τυποποίησης:

EN 809, EN 55012

Το τεχνικό πληροφοριακό υλικό διατηρείται από την:

Makita International Europe Ltd., Technical Department (Τεχνικό Τμήμα), Michigan Drive, Tongwell, Milton Keynes, Bucks MK15 8JD, England (Αγγλία)

Η διαδικασία αξιολόγησης της συμμόρφωσης που απαιτείται από την Οδηγία 2000/14/ΕΚ ήταν σε συμμόρφωση με το Παράρτημα V.

Μετρούμενο επίπεδο ηχητικής ισχύος: 100,9 dB(A)

Εγγυημένο επίπεδο ηχητικής ισχύος: 109 dB(A)

31.8.2012

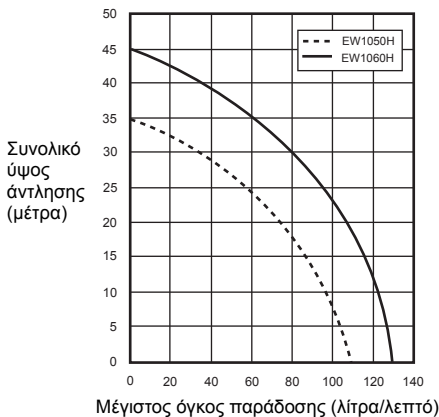


Tomoyasu Kato
Διευθυντής
Makita Corporation
3-11-8, Sumiyoshi-cho,
Anjo, Aichi, JAPAN

ΤΕΧΝΙΚΑ ΣΤΟΙΧΕΙΑ

		EW1050H	EW1060H	
Βάρος	Χγρ	5,8	7,3	
Διαστάσεις	Χιλιοστά	327 x 231 x 319	356 x 234 x 336	
Τύπος		ΦΥΓΟΚΕΝΤΡΙΚΗ ΑΝΤΛΙΑ αυτόματης προέγχυσης		
Διάμετροι (αναρρόφηση-εκκένωση)	ίντσα	1		
Συνολικό ύψος άντλησης	μέτρα	35	45	
Μέγιστος όγκος παράδοσης	λίτρα/λεπτό	110	130	
Μέγιστο ύψος αναρρόφησης	μέτρα	8	8	
Όγκος (ρεζερβουάρ καυσίμου)	λίτρα	0,5	0,65	
Όγκος (δοχείο λαδιού)	λίτρα	0,08	0,1	
Εκτόπιση κινητήρα	cm ³	24,5	33,5	
Μέγιστη απόδοση κινητήρα	kW	0,71 στις 7.000 λεπ ⁻¹	1,07 στις 7.000 λεπ ⁻¹	
Καρμπυρατέρ	τύπος	Διάφραγμα		
Σύστημα ανάφλεξης	τύπος	Ανάφλεξη στερεάς κατάστασης		
Σπινθηριστής	τύπος	NGK CMR6A		
Διάκενο ηλεκτροδίου	Χιλιοστά	0,7 – 0,8		
Καύσιμο		Βενζίνη αυτοκινήτων		
Λάδι κινητήρα		Λάδι SAE 10W-30 της ταξινόμησης API, Τάξη SF ή υψηλότερη (4χρονος κινητήρας για αυτοκίνητα)		
Εφαρμόσιμη θερμοκρασία νερού	°C	5 – 40	5 – 40	
Επίπεδο ηχητικής πίεσης	L _{pA, eq}	dB (A)	88,4	88,4
	Αβεβαιότητα K	dB (A)	3	3
Επίπεδο ηχητικής ισχύος	L _{WA, d}	dB (A)	109	109

Παρατηρηση: Να φοράτε ωτοασπίδες κατά τη διάρκεια της λειτουργίας.



ΧΑΡΑΚΤΗΡΙΣΜΟΣ ΕΞΑΡΤΗΜΑΤΩΝ (Εικ. 1 και 2)

ΣΥΝΑΡΜΟΛΟΓΗΣΗ (Εικ. 3)

⚠️ ΠΡΟΕΙΔΟΠΟΙΗΣΗ:

- Πριν πραγματοποιήσετε οποιαδήποτε εργασία στον εξοπλισμό, να σβήνετε πάντα τον κινητήρα.
- Βάλτε μπρος τον κινητήρα μόνο αφού έχετε συναρμολογήσει πλήρως τον εξοπλισμό.

ΕΓΚΑΤΑΣΤΑΣΗ ΕΥΚΑΜΠΤΟΥ ΣΩΛΗΝΑ

1. Τοποθετήστε τις ενώσεις εύκαμπτου σωλήνα στην αντλία.

⚠️ ΠΡΟΣΟΧΗ:

- Όταν τοποθετείτε την ένωση στην αντλία, βεβαιωθείτε ότι το παρέμβυσμα βρίσκεται στη θέση του.
2. Συνδέστε τους εύκαμπτους σωλήνες στις ενώσεις με τον σφιγκτήρα.

Ελέγξτε ότι ο σφιγκτήρας εύκαμπτου σωλήνα είναι καλά σφιγμένος.

3. Συνδέστε την στήα στο άκρο εισόδου του εύκαμπτου σωλήνα.

ΠΑΡΑΤΗΡΗΣΗ:

- Αν υπάρχει διαρροή αέρα, δεν είναι δυνατή η αναρρόφηση νερού.

⚠️ ΠΡΟΣΟΧΗ:

- Μην αφαιρέσετε τη στήα επειδή μπορεί να προκληθεί ζημιά στην αντλία από ξένα υλικά.

Ελέγξτε ότι ο σφιγκτήρας εύκαμπτου σωλήνα είναι καλά σφιγμένος.

ΕΛΕΓΧΟΙ ΠΡΙΝ ΑΠΟ ΤΗ ΛΕΙΤΟΥΡΓΙΑ

⚠️ ΠΡΟΕΙΔΟΠΟΙΗΣΗ:

- Πριν πραγματοποιήσετε οποιαδήποτε εργασία στον εξοπλισμό, να σβήνετε πάντα τον κινητήρα. Να διεξάγετε πάντα την εργασία σε μια επίπεδη και σταθερή επιφάνεια.

- Πριν βάλτε μπρος τον κινητήρα, ελέγξτε αν υπάρχουν χαλαρές βίδες ή χαλαρά εξαρτήματα σύνδεσης στον εξοπλισμό.
- Κατά τη διάρκεια του ελέγχου ή της επισκευής, αποφεύγετε να έρθει οποιοδήποτε μέρος του σώματος ή τα ρούχα σας σε επαφή με τον κινητήρα και τον σιγαστήρα, ενώ είναι ακόμη πολύ ζεστά.
- Προσέχετε ιδιαίτερα τον εξαιρισμό. Προσέχετε για δηλητηρίαση λόγω CO.

ΕΠΙΘΕΩΡΗΣΗ ΚΑΙ ΣΥΜΠΛΗΡΩΣΗ ΤΟΥ ΛΑΔΙΟΥ ΚΙΝΗΤΗΡΑ (Εικ. 4)

Διεξάγετε την ακόλουθη διαδικασία, ενώ ο κινητήρας είναι κρύος.

- Βεβαιωθείτε ότι ο κινητήρας βρίσκεται σε οριζόντια θέση.
- Μην περάσετε το μετρητή λαδιού μέσα στον γεμιστήρα λαδιού για να ελέγξετε τη στάθμη λαδιού.
- Ελέγξτε αν η στάθμη λαδιού βρίσκεται μεταξύ του κάτω και άνω ορίου στον μετρητή λαδιού.
- Αν η στάθμη λαδιού είναι χαμηλότερη από το κάτω όριο, προσθέστε λάδι.
- Ίσως να χρειάζεται να συμπληρώσετε λάδι περίπου κάθε 10 ώρες λειτουργίας (κάθε 10 ανεφοδιασμούς).
- Αν αλλάξει το χρώμα του λαδιού ή αν αναμειγνύεται με βρομιά, αντικαταστήστε το με καινούργιο.

Συνιστώμενο λάδι: Λάδι SAE 10W-30 της ταξινόμησης API, Τάξη SF ή υψηλότερη (4χρονος κινητήρας για αυτοκίνητα)

Όγκος λαδιού:

Για μοντέλο EW1050H: Περίπου 0,08 λίτρο

Για μοντέλο EW1060H: Περίπου 0,1 λίτρο

ΠΑΡΑΤΗΡΗΣΗ:

- Αν ο κινητήρας δεν έχει τοποθετηθεί οριζόντια, μπορεί να προκύψει ανακριβή ένδειξη της στάθμης λαδιού και να συμπληρώσετε με υπερβολική ποσότητα λαδιού. Αν συμπληρώσετε λάδι πάνω από το άνω όριο, μπορεί να προκληθεί ρύπανση λαδιού ή λευκός καπνός.

Συμπλήρωση λαδιού κινητήρα

1. Διατηρήστε τον κινητήρα σε οριζόντια θέση και αποσυνδέστε το μετρητή λαδιού.
2. Συμπληρώστε με λάδι μέχρι την ένδειξη άνω ορίου. Χρησιμοποιήστε φιάλη λαδιού κατά τη συμπλήρωση.
3. Σφίξτε καλά τον μετρητή λαδιού. Αν δεν τον σφίξετε καλά, μπορεί να προκληθεί διαρροή λαδιού.

Μετά τη συμπλήρωση λαδιού

- Σκουπίστε αμέσως τυχόν χυμένο λάδι με ένα πανί.

Αντικατάσταση λαδιού: Μετρητής λαδιού

- Απομακρύνετε τη σκόνη ή τη βρομιά που βρίσκεται κοντά στη θύρα συμπλήρωσης λαδιού.
- Διατηρήστε τον αποσυνδεδεμένο μετρητή λαδιού καθαρό από άμμο ή σκόνη. Διαφορετικά, τυχόν άμμος ή σκόνη που έχει προσκολληθεί στην τάπα λαδιού μπορεί να έχει ως αποτέλεσμα προβλήματα με ακανόνιστη κυκλοφορία λαδιού ή φθορά στα εξαρτήματα του κινητήρα.

ΚΑΥΣΙΜΟ

⚠️ ΠΡΟΕΙΔΟΠΟΙΗΣΗ:

- Το καύσιμο είναι εξαιρετικά εύφλεκτο και δηλητηριώδες. Όταν χειρίζεστε το καύσιμο, να μένετε μακριά από γυμνές φλόγες (τσιγάρα, φούρνοι, πυροτεχνήματα), ηλεκτρικούς σπινθήρες (μπαταρία, βραχυκύκλωμα, σπινθήρας από βραχυκυκλωμένο διακόπτη, σπινθήρας οξυγονοκόλλησης, κτλ.).

- Φροντίστε να σβήσετε τον κινητήρα πριν από τον ανεφοδιασμό. Μην πραγματοποιείτε ανεφοδιασμό όταν ο κινητήρας είναι ακόμη ζεστός.
- Εκτός από την περίπτωση του ανεφοδιασμού, ακόμη και όταν ρίχνετε καύσιμο σε μικρότερο δοχείο, να δίνετε πάντα μεγάλη προσοχή.
- Μετά τον ανεφοδιασμό, σφίξτε καλά την τάπα του ρεζερβουάρ καυσίμου και σκουπίστε εντελώς το χυμένο καύσιμο.

Χειρισμός καυσίμου

Είναι απαραίτητο να χειρίζεστε το καύσιμο με μεγάλη προσοχή. Το καύσιμο μπορεί να περιέχει ουσίες παρόμοιες με διαλύτες. Ο ανεφοδιασμός πρέπει να διεξάγεται σε δωμάτιο που αερίζεται επαρκώς ή σε εξωτερικό χώρο. Μην εισπνέετε ποτέ τον ατμό καυσίμου και κρατήστε το καύσιμο μακριά σας. Αν αγγίζετε επαπειλημένα ή παρατεταμένα το καύσιμο, το δέρμα σας ξηραίνεται, γεγονός που μπορεί να προκαλέσει δερματοπάθεια ή αλλεργία. Αν μπει καύσιμο στα μάτια σας, καθαρίστε τα μάτια με καθαρό νερό. Αν παραμένει ο ερεθισμός των ματιών, συμβουλευτείτε γιατρό.

Περίοδος φύλαξης του καυσίμου

Το καύσιμο θα πρέπει να χρησιμοποιηθεί εντός μιας περιόδου των 4 εβδομάδων, ακόμη κι αν φυλάσσεται σε ειδικό δοχείο σε καλά αεριζόμενο και σκιερό μέρος.

Διαφορετικά, το καύσιμο μπορεί να χαλάσει εντός μιας ημέρας.

Φύλαξη μηχανήματος και ρεζερβουάρ ανεφοδιασμού

- Διατηρήστε το μηχανήμα και το ρεζερβουάρ σε ψυχρό μέρος, μακριά από τις ακτίνες του ήλιου.
- Μην φυλάσσετε ποτέ το καύσιμο μέσα σε αυτοκίνητο.

Τύπος καυσίμου:

Ο κινητήρας είναι ένας τετράχρονος κινητήρας. Βεβαιωθείτε να χρησιμοποιείτε αμόλυβδη βενζίνη για αυτοκίνητα, 87 οκτανίων ή υψηλότερων ((R+M)/2). Μπορεί να περιέχει μόνο μέχρι 10% αλκοόλη (E-10).

- Μην χρησιμοποιείτε ποτέ μίγμα βενζίνης που περιέχει λάδι κινητήρα. Διαφορετικά, θα προκαλέσει την υπερβολική συσσώρευση άνθρακα ή μηχανικά προβλήματα.

Χωρητικότητα ρεζερβουάρ καυσίμου:

Για μοντέλο EW1050H: 0,5 λίτρο

Για μοντέλο EW1060H: 0,65 λίτρο

Ανεφοδιασμός (Εικ. 5)

1. Διατηρείτε τον κινητήρα σε οριζόντια θέση.
 2. Χαλαρώστε λίγο την τάπα του ρεζερβουάρ καυσίμου για να εκτονώσετε την πίεση του ρεζερβουάρ.
 3. Αφαιρέστε την τάπα του ρεζερβουάρ καυσίμου και ανεφοδιάστε. Μην γεμίσετε με καύσιμο μέχρι το άνω μέρος του ρεζερβουάρ.
 4. Μετά τον ανεφοδιασμό, σφίξτε καλά την τάπα του ρεζερβουάρ καυσίμου.
- Σκουπίστε το εξωτερικό της τάπας του ρεζερβουάρ καυσίμου για να εμποδίσετε την είσοδο σκουπιδιών στο ρεζερβουάρ καυσίμου.
 - Αν υπάρχει οποιοδήποτε ελάττωμα ή ζημιά στην τάπα του ρεζερβουάρ καυσίμου, αντικαταστήστε την.
 - Η τάπα του ρεζερβουάρ καυσίμου φθείρεται με το χρόνο. Αντικαταστήστε την κάθε δύο με τρία χρόνια.
 - ΜΗΝ ρίχνετε καύσιμο στη θύρα πλήρωσης λαδιού.

Νερό προέγχεσης (Εικ. 6)

⚠ ΠΡΟΣΟΧΗ:

- Μην ξεκινάτε την αντλία αν δεν υπάρχει νερό στο περιβλήμα αντλίας. Μπορεί να προκληθεί ζημιά στη μηχανική σφράγιση.

Αφαιρέστε την τάπα προέγχεσης και προσθέστε καθαρό νερό μέχρι να γεμίσει το περιβλήμα αντλίας με νερό. Μετά την πλήρωση, σφίξτε την τάπα προέγχεσης.

ΠΑΡΑΤΗΡΗΣΗ:

- Αν η είσοδος νερού δεν επαρκεί, η χωρητικότητα αυτόματης προέγχεσης γίνεται μικρότερη.
- Φροντίστε η αντλία να τοποθετηθεί σε σταθερό μέρος, όσο το δυνατό πιο κοντά σε διαθέσιμη πηγή νερού.
- Όσο υψηλότερα βρίσκεται η κεφαλή αναρρόφησης τόσο περισσότερους χρόνους απαιτείται για την προέγχεση, με λιγότερη εκκένωση.

ΕΛΕΓΧΟΣ ΚΙΝΗΤΗΡΑ:

- Ελέγξτε προσεκτικά αν οι εύκαμπτοι σωλήνες καυσίμου και οι ενώσεις είναι χαλαροί και αν υπάρχει διαρροή καυσίμου. Η διαρροή καυσίμου δημιουργεί μια δυνητικά επικίνδυνη κατάσταση.
- Ελέγξτε αν τα μπουλόνια και τα παξιμάδια είναι χαλαρά. Αν είναι, σφίξτε τα. Ένα χαλαρό μπουλόνι ή παξιμάδι μπορεί να προκαλέσει σοβαρό πρόβλημα στον κινητήρα.
- Ελέγξτε το λάδι κινητήρα και συμπληρώστε, αν απαιτείται.
- Ελέγξτε τη στάθμη καυσίμου και συμπληρώστε, αν απαιτείται. Προσέχετε να μην γεμίσετε υπερβολικά το ρεζερβουάρ.
- Διατηρείτε τα περύνια κυλίνδρου και τον εκκινητή ανατλίξης καθαρά από βρομιά, γρασιδί και άλλα σκουπίδια.
- Φοράτε άνετα ρούχα εργασίας όταν χρησιμοποιείτε τον κινητήρα.

ΛΕΙΤΟΥΡΓΙΑ

⚠ ΠΡΟΕΙΔΟΠΟΙΗΣΗ:

- Μην αγγίζετε ποτέ το σιγαστήρα ενός ζεστού κινητήρα, ειδικά όταν βάζετε ξανά μπρος τον κινητήρα. Ο σιγαστήρας κινητήρα ζεσταίνεται μετά τη λειτουργία του κινητήρα.
- Μην τοποθετείτε τα χέρια σας ή ξένα αντικείμενα στις βαλβίδες εκτόνωσης όταν χρησιμοποιείται η αντλία.

⚠ ΠΡΟΕΙΔΟΠΟΙΗΣΗ:

Προσέχετε τα κτυπήματα του νερού

- Μην αφήνετε τον τροχό ενός οχήματος να περάσει επάνω από τον εύκαμπτο σωλήνα παράδοσης. Μην κλείνετε απότομα τη βαλβίδα παράδοσης, επειδή θα συμβούν κτυπήματα νερού, γεγονός που μπορεί να έχει ως αποτέλεσμα σοβαρή ζημιά στην αντλία.

Έναρξη:

⚠ ΠΡΟΣΟΧΗ:

- Επειδή το πλανητικό δεν έχει απλωθεί αρκετά, μην αυξάνετε τις στροφές του κινητήρα μόλις ξεκινήσει ο κινητήρας. Οι άσκοπες υψηλές στροφές συντομεύουν τη διάρκεια λειτουργίας του εξοπλισμού ή προκαλούν ζημιά.

1. Ελέγξτε ότι το περιβλήμα αντλίας έχει γεμίσει με νερό.
2. Ελέγξτε ότι η σήτα βρίσκεται κάτω από νερό.

⚠️ ΠΡΟΣΟΧΗ:

- Χρησιμοποιήστε κάποια προληπτική μέθοδο όταν το κάτω μέρος του νερού είναι καλυμμένο με λάσπη ή άμμο.
- Ελέγξτε ότι δεν υπάρχουν εμπόδια στο στόμιο του εύκαμπτου σωλήνα παράδοσης.
 - Θέστε το διακόπτη I-O (ΕΝΕΡΓΟΠΟΙΗΣΗ/ΑΠΕΝΕΡΓΟΠΟΙΗΣΗ) του κινητήρα στη θέση "I" (ΕΝΕΡΓΟΠΟΙΗΣΗ).
 - Ελέγξτε ότι η μανέτα υποδεικνύει "L". **(Εικ. 7)**
 - Συνεχίστε να ωθείτε την αντλία προέγχυσης μέχρι να βγει καύσιμο από την αντλία προέγχυσης. (Γενικά, 7 έως 10 ωθήσεις).
 - Ρυθμίστε το μοχλό τσοκ.
 - Αν ο κινητήρας είναι κρύος ή η θερμοκρασία περιβάλλοντος είναι χαμηλή, κλείστε πλήρως το μοχλό τσοκ. **(Εικ. 8)**
 - Αν ο κινητήρας είναι ζεστός ή η θερμοκρασία περιβάλλοντος είναι υψηλή, ανοίξτε το μοχλό τσοκ μέχρι τη μέση ή διατηρήστε το πλήρως ανοικτό.
 - Τραβήξτε απαλά τη λαβή εκκινητή μέχρι να υπάρχει κάποια αντίσταση. Στη συνέχεια, επιστρέψτε τη λαβή εκκινητή και τραβήξτε τη δυνατά. Μην τραβάτε ποτέ το σκοινί μέχρι την πλήρη έκτασή του. Μόλις τραβήξετε τη λαβή εκκινητή, μην αφήσετε ποτέ το χέρι σας αμέσως. Κρατήστε τη λαβή εκκινητή μέχρι να επιστρέψει στην αρχική θέση της. Εάν είναι δύσκολη η εκκίνηση του κινητήρα, ανοίξτε το γκάζι στο 1/3 περίπου.
 - Μόλις ξεκινήσει ο κινητήρας, θέστε το μοχλό τσοκ στην ΑΝΟΙΚΤΗ θέση αν έχετε κλείσει το μοχλό τσοκ. **(Εικ. 9)**
 - Αφήστε τον κινητήρα να "ζεσταθεί" σωστά. Συνεχίστε τη λειτουργία ζεστάματος για 2 έως 3 λεπτά στη θέση "L".

Κινητήρας σε λειτουργία:

Θέστε τη μανέτα στη μεσαία θέση και ελέγξτε το νερό που βγαίνει από τον εύκαμπτο σωλήνα παράδοσης.

Λειτουργία τελειώματος

Σβήσιμο κινητήρα

Θέστε τη μανέτα στη θέση "L" για να ορίσετε τον κινητήρα στις χαμηλότερες στροφές.

Θέστε το διακόπτη I-O (ΕΝΕΡΓΟΠΟΙΗΣΗ/ΑΠΕΝΕΡΓΟΠΟΙΗΣΗ) του κινητήρα στη θέση "O" (ΑΠΕΝΕΡΓΟΠΟΙΗΣΗ).

Αποστράγγιση νερού μετά τη χρήση

Το νερό στο εσωτερικό του περιβλήματος αντλίας παύνει σε θερμοκρασίες χαμηλότερες από 0°C το χειμώνα και η αντλία μπορεί πιθανώς να σπάσει. Μετά τη χρήση, αποστραγγίστε το νερό από την αποστράγγιση στο κάτω μέρος, για να φυλάξετε την αντλία.

ΟΔΗΓΙΕΣ ΓΙΑ ΤΟ ΣΕΡΒΙΣ

⚠️ ΠΡΟΕΙΔΟΠΟΙΗΣΗ:

- Πριν πραγματοποιήσετε οποιαδήποτε εργασία στον εξοπλισμό, να σβήνετε πάντα τον κινητήρα. Μην πραγματοποιείτε οποιαδήποτε εργασία όταν ο κινητήρας είναι ακόμη ζεστός.

⚠️ ΠΑΡΑΤΗΡΗΣΗ:

- Μην πλένετε τον κινητήρα με νερό κατά τις εργασίες σέρβις.

ΑΛΛΑΓΗ ΛΑΔΙΟΥ ΚΙΝΗΤΗΡΑ

⚠️ ΠΡΟΕΙΔΟΠΟΙΗΣΗ:

- Ο κινητήρας και το λάδι κινητήρα είναι ακόμη ζεστά μόλις σβήσει ο κινητήρας. Αφήστε να περάσει αρκετός χρόνος για να κρυώσει ο κινητήρας και το λάδι κινητήρα. Διαφορετικά, μπορεί να προκύψει δερματικό έγκαυμα.

⚠️ ΠΡΟΣΟΧΗ:

- Πριν αλλάξετε το λάδι, βρείτε έναν κατάλληλο τρόπο να διαθέσετε το παλιό λάδι. Μην το ρίξετε στην αποχέτευση, στο έδαφος ή σε ανοιχτές ροές. Στους τοπικούς ή περιβαλλοντικούς κανονισμούς, θα βρείτε αναλυτικότερες οδηγίες για τη σωστή διάθεση. Το χαλασμένο λάδι κινητήρα συντομεύει τη διάρκεια λειτουργίας του κινητήρα. Φροντίστε να ελέγχετε το λάδι και τη στάθμη τακτικά.

ΠΑΡΑΤΗΡΗΣΗ:

- Αν το λάδι έχει γεμίσει πάνω από το όριο, μπορεί να μολυνθεί ή να αναφλεγεί παράγοντας λευκό καπνό. Αφήστε να περάσει αρκετός χρόνος μετά το σβήσιμο του κινητήρα ώστε να επιστρέψει το λάδι κινητήρα στο δοχείο λαδιού και να έχετε μια ακριβή ένδειξη της στάθμης λαδιού.

Μεσοδιάστημα για αλλαγή: Μετά από τις πρώτες 20 ώρες λειτουργίας, ακολουθούμενες από κάθε 50 ώρες λειτουργίας.

Συνιστώμενο λάδι: Λάδι SAE 10W-30 της ταξινόμησης API, Τάξη SF ή υψηλότερη (λάδι 4χρονων κινητήρων για αυτοκίνητα)

Όγκος λαδιού:

Για μοντέλο EW1050H: Περίπου 0,08 λίτρο

Για μοντέλο EW1060H: Περίπου 0,1 λίτρο

- Βγάλετε το μετρητή λαδιού. **(Εικ. 10)**

Προσέχετε ώστε να τοποθετήσετε το μετρητή λαδιού σε μια θέση όπου δεν θα μαζεύει βρομιά, σκόνη ή άλλο ξένο υλικό.

- Τοποθετήστε ένα πανί ή χαρτοπετσέτα στην περιοχή γύρω από την οπή της πλήρωσης λαδιού.
- Βγάλτε τον μετρητή λαδιού, μετά γείρετε τον κινητήρα και αποστραγγίστε το λάδι μέσα σε μια λεκάνη ή άλλο δοχείο.
- Τοποθετήστε τον εξοπλισμό σε επίπεδη επιφάνεια. Ρίξτε το λάδι από ένα μαλακό μπουκάλι ή άλλο κατάλληλο σκεύος. Συμπληρώστε με λάδι μέχρι το σημείο υπερχειλίσης στο στόμιο πλήρωσης. **(Εικ. 4)**
- Αφού συμπληρώσετε τον κινητήρα με λάδι, τοποθετήστε ξανά τον μετρητή λαδιού. Βεβαιωθείτε ότι ο μετρητής λαδιού είναι σφηνμένος, επειδή αν χαλαρώσει αργότερα θα διαρρεύσει λάδι από αυτόν.

ΕΛΕΓΧΟΣ ΤΟΥ ΣΠΙΝΘΗΡΙΣΤΗ (Εικ. 11)

⚠️ ΠΡΟΣΟΧΗ:

- Μην αγγίζετε ποτέ τη σύνδεση σπινθηριστή ενώ λειτουργεί ο κινητήρας (κίνδυνος ηλεκτροπληξίας από υψηλή τάση).

Μεσοδιάστημα για καθαρισμό και έλεγχο: Κάθε ημέρα (κάθε 10 ώρες λειτουργίας)

- Για την αφαίρεση ή τοποθέτηση του σπινθηριστή, να χρησιμοποιείτε μόνο το παρεχόμενο γαλλικό κλειδί.
- Το διάκενο μεταξύ των δύο ηλεκτροδίων του σπινθηριστή πρέπει να είναι 0,7 – 0,8 χιλιοστά.

Αν το διάκενο είναι πολύ μεγάλο ή πολύ μικρό, ρυθμίστε το. Αν ο σπινθηριστής είναι φραγμένος ή μολυσμένος, καθαρίστε τον καλά ή αντικαταστήστε τον.

ΚΑΘΑΡΙΣΜΟΣ ΤΟΥ ΦΙΛΤΡΟΥ ΑΕΡΑ (Εικ. 12)

⚠ ΠΡΟΕΙΔΟΠΟΙΗΣΗ:

- Σβήστε τον κινητήρα. Μείνετε μακριά από γυμνές φλόγες.
- Τα βρόμικα στοιχεία του φίλτρου αέρα προκαλούν δυσκολίες στην εκκίνηση, απώλεια ισχύος, δυσλειτουργίες κινητήρα και συντομεύουν σημαντικά τη διάρκεια λειτουργίας του κινητήρα. Να διατηρείτε καθαρό το στοιχείο του φίλτρου αέρα.

Μεσοδιάστημα για καθαρισμό και έλεγχο: Κάθε ημέρα (κάθε 10 ώρες λειτουργίας)

1. Τοποθετήστε το μοχλό τσοκ στην πλήρως κλειστή θέση ώστε να μην επιτρέπεται η είσοδος σκόνης και βρομιάς στο καρμπυρατέρ.
2. Βγάλτε το μπουλόνι στερέωσης του καλύμματος του φίλτρου αέρα.
3. Τραβήξτε προς τα έξω το κάτω άκρο του καλύμματος για να αφαιρέσετε το κάλυμμα του φίλτρου αέρα.
4. Αφαιρέστε το στοιχείο και μετά καθαρίστε το με διάλυμα ζεστού νερού και ήπιου απορρυπαντικού και κατόπιν στεγνώστε το καλά.
5. Τοποθετήστε το ενώ το ευθυγραμμίζετε με τις γραμμές που απεικονίζονται στην εικόνα.
6. Με ένα πανί, σκουπίστε τυχόν λάδι που έχει προσκολληθεί στην περιοχή γύρω από το κάλυμμα του φίλτρου αέρα και την οπή εξαερισμού.
7. Μετά τον καθαρισμό, συναρμολογήστε ξανά το κάλυμμα φίλτρου (εισαγάγετε πρώτα τη γλωττίδα στο πάνω μέρος και μετά εισαγάγετε την κάτω γλωττίδα) και σφίξτε το μπουλόνι στερέωσης.

ΚΑΘΑΡΙΣΜΟΣ ΤΟΥ ΦΙΛΤΡΟΥ ΚΑΥΣΙΜΟΥ

⚠ ΠΡΟΕΙΔΟΠΟΙΗΣΗ:

- Σβήστε τον κινητήρα. Μείνετε μακριά από γυμνές φλόγες. Μην καπνίζετε.

Μεσοδιάστημα για καθαρισμό και έλεγχο: Κάθε μήνα (κάθε 50 ώρες λειτουργίας)

Το φίλτρο καυσίμου χρησιμοποιείται για το φιλτράρισμα του καυσίμου που απαιτείται από το καρμπυρατέρ. Πρέπει να διεξαχθεί μια περιοδική οπτική επιθεώρηση του φίλτρου καυσίμου.

1. Ανοίξτε την τάπα του ρεζερβουάρ καυσίμου, χρησιμοποιήστε ένα συρμάτινο άγκιστρο για να τραβήξετε την κεφαλή αναρρόφησης μέσα από το άνοιγμα ρεζερβουάρ.
2. Αφαιρέστε τον σφικτήρα εύκαμπτου σωλήνα και τραβήξτε το φίλτρο καυσίμου από το σωλήνα καυσίμου.
3. Πλύνετε το φίλτρο καυσίμου με κηροζίνη.
4. Μετά το πλύσιμο, συναρμολογήστε το ξανά.
5. Αν το φίλτρο είναι σκληρό ή φραγμένο, αντικαταστήστε το με ένα καινούργιο.

Αντικαταστήστε το φίλτρο καυσίμου τουλάχιστον κάθε τρίμηνο για να εξασφαλίσετε μια επαρκή παροχή καυσίμου στο καρμπυρατέρ. Διαφορετικά, μια ανεπαρκής παροχή καυσίμου μπορεί να προκαλέσει την αποτυχία της εκκίνησης του κινητήρα και περιορισμένη μέγιστη ταχύτητα.

Μετά τον έλεγχο, τον καθαρισμό ή την αντικατάσταση, στερεώστε το φίλτρο καυσίμου στο σωλήνα καυσίμου με τον σφικτήρα εύκαμπτου σωλήνα. Σπρώξτε το φίλτρο καυσίμου μέχρι τέρμα στο κάτω μέρος του ρεζερβουάρ καυσίμου. **(Εικ. 13)**

ΑΝΤΙΚΑΤΑΣΤΑΣΗ ΤΟΥ ΣΩΛΗΝΑ ΚΑΥΣΙΜΟΥ

(Εικ. 14)

⚠ ΠΡΟΕΙΔΟΠΟΙΗΣΗ:

- Σβήστε τον κινητήρα. Μείνετε μακριά από γυμνές φλόγες.

Μεσοδιάστημα για καθαρισμό και έλεγχο: Κάθε ημέρα (κάθε 10 ώρες λειτουργίας)

Αντικατάσταση: Κάθε χρόνο (κάθε 200 ώρες λειτουργίας)

Αντικαταστήστε το σωλήνα καυσίμου κάθε χρόνο, ανεξάρτητα από τη συχνότητα λειτουργίας. Η διαρροή καυσίμου μπορεί να οδηγήσει σε πυρκαγιά.

Αν ανιχνευτεί οποιαδήποτε διαρροή κατά τη διάρκεια του ελέγχου, αντικαταστήστε αμέσως το σωλήνα καυσίμου.

ΕΛΕΓΧΟΣ ΤΩΝ ΜΠΟΥΛΟΝΙΩΝ, ΠΑΞΙΜΑΔΙΩΝ ΚΑΙ ΒΙΔΩΝ

- Σφίξτε ξανά τα χαλαρά μπουλόνια, παξιμάδια, κτλ.
- Ελέγξτε ότι η τάπα καυσίμου και η τάπα λαδιού είναι σφικτές. Ελέγξτε για διαρροή καυσίμου και λαδιού.
- Για ασφαλή λειτουργία, αντικαταστήστε τα κατεστραμμένα μέρη με καινούργια.

ΚΑΘΑΡΙΣΜΟΣ ΤΩΝ ΕΞΑΡΤΗΜΑΤΩΝ

- Διατηρήστε πάντα τον κινητήρα καθαρό σκουπίζοντάς τον με ένα πανί.
- Διατηρήστε τα πτερύγια κυλίνδρου χωρίς σκόνη ή βρομιά. Η σκόνη ή η βρομιά που προσκολλά στα πτερύγια μπορεί να προκαλέσει εμπλοκή του εμβόλου.

Πίνακας χρονοδιαγράμματος περιοδικής συντήρησης

Χρόνος λειτουργίας Στοιχείο		Πριν από τη λειτουργία	Κάθε ημέρα (10 ώρες)	50 ώρες	200 ώρες	Πριν από τη φύλαξη
Λάδι κινητήρα	Έλεγχος/Συμπλήρωση	<input type="radio"/>				
	Αντικατάσταση				○*1	
Σφίξιμο εξαρτημάτων (μπουλονί, παξιμάδι)	Έλεγχος	<input type="radio"/>				
Ρεζερβουάρ καυσίμου	Καθαρισμός/Έλεγχος	<input type="radio"/>				
	Αποστράγγιση καυσίμου					<input type="radio"/>
Μανέτα	Έλεγχος λειτουργίας	<input type="radio"/>				
Διακόπτης I-O (ΕΝΕΡΓΟΠΟΙΗΣΗ/ ΑΠΕΝΕΡΓΟΠΟΙΗΣΗ)	Έλεγχος λειτουργίας	<input type="radio"/>				
Φίλτρο αέρα	Καθαρισμός		<input type="radio"/>			
Σπινθηριστής	Έλεγχος		<input type="radio"/>			
	Καθαρισμός/ Προσαρμογή				<input type="radio"/>	
Δίοδος ψυχρού αέρα και πτερύγια κυλίνδρου	Καθαρισμός/Έλεγχος		<input type="radio"/>			
Σωλήνας καυσίμου	Έλεγχος		<input type="radio"/>			
	Αντικατάσταση				◎*2	
Φίλτρο καυσίμου	Καθαρισμός/ Αντικατάσταση			<input type="radio"/>		
Διάκενο βαλβίδας (βαλβίδα εισόδου και βαλβίδα καυσαερίων)	Έλεγχος/Ρύθμιση				◎*2	
Γενική επισκευή κινητήρα, αν απαιτείται					◎*2	
Καρμπυρατέρ	Αποστράγγιση καυσίμου					<input type="radio"/>
Σύνολο αντλίας	Καθαρισμός		<input type="radio"/>			
Σήτα	Έλεγχος/Καθαρισμός	<input type="radio"/>				

*1 Διεξαγάγετε αρχική αντικατάσταση μετά από 20 ώρες λειτουργίας.

Πριν αλλάξετε το λάδι, βρείτε έναν κατάλληλο τρόπο να διαθέσετε το παλιό λάδι. Μην το ρίξετε στην αποχέτευση, στο έδαφος ή σε ανοιχτές ροές. Στους τοπικούς ή περιβαλλοντικούς κανονισμούς, θα βρείτε αναλυτικότερες οδηγίες για τη σωστή διάθεση.

*2 Για τον έλεγχο των 200 ωρών λειτουργίας, απευθυνθείτε σε εξουσιοδοτημένο κέντρο σέρβις.

ΦΥΛΑΞΗ

⚠ ΠΡΟΕΙΔΟΠΟΙΗΣΗ:

- Όταν αποστραγγίζετε το καύσιμο, βεβαιωθείτε να σβήσετε τον κινητήρα και εξασφαλίστε ότι ο κινητήρας έχει κρυώσει. Μόλις σβήσει ο κινητήρας, μπορεί να είναι ακόμη ζεστός και να υπάρχει περίπτωση να προκληθούν εγκαυματα, ευφλεκτότητα και πυρκαγιά.

⚠ ΠΡΟΣΟΧΗ:

- Όταν ο εξοπλισμός παραμένει εκτός λειτουργίας για μεγάλο χρονικό διάστημα, αποστραγγίστε το καύσιμο από το ρεζερβουάρ καυσίμου και διατηρήστε το σε ένα στεγνό και καθαρό μέρος.

Πριν από τη φύλαξη

- Αφαιρέστε εντελώς τυχόν νερό από τη θύρα αποστράγγισης.
- Τραβήξτε απαλά τη λαβή του εκκινητή ανατύλιξης στον κινητήρα μέχρι να υπάρχει κάποια αντίσταση.

3. Αφού αφαιρέσετε το καύσιμο από το ρεζερβουάρ καυσίμου, ωθήστε την αντλία προέγχυσης μέχρι να βγει καύσιμο στο σωλήνα αερίου. Αφαιρέστε το καύσιμο από την αντλία μία ακόμη φορά.
4. Θέστε τη μανέτα στη θέση "L".
5. Σκουπίστε τυχόν βρομιά ή σκόνη.
6. Φυλάξτε την αντλία σε ένα στεγνό, θερμό μέρος, όπου δεν υπάρχει περιρπτωση παγωμάτος.

Μεταφορά

Κατά την ανύψωση και μεταφορά του μηχανήματος, κρατήστε καλά τη λαβή και με τα δύο χέρια.

ΑΝΤΙΜΕΤΩΠΙΣΗ ΠΡΟΒΛΗΜΑΤΩΝ

Πριν πραγματοποιήσετε αίτημα για επισκευές, ελέγξτε μόνοι σας το πρόβλημα. Αν βρεθεί οποιαδήποτε ανωμαλία, χειριστείτε το μηχανήμα σας σύμφωνα με την περιγραφή στο παρόν εγχειρίδιο. Μην παρεμβαίνετε και μην ξεμοντάρετε οποιοδήποτε εξάρτημα με τρόπο που αντιτίθεται στην περιγραφή. Για επισκευές, επικοινωνήστε με εξουσιοδοτημένο κέντρο σέρβις.

Πρόβλημα	Αιτία	Λύση
Η μηχανή δεν παίρνει μπρος	Αποτυγχάνει η λειτουργία της αντλίας προέγχυσης.	Ωθήστε 7 έως 10 φορές.
	Η ταχύτητα τραβήγματος του σκοινιού εκκινήτη είναι χαμηλή.	Τραβήξτε δυνατά.
	Υπάρχει έλλειψη καυσίμου.	Τροφοδοτήστε με καύσιμο.
	Το φίλτρο καυσίμου είναι φραγμένο.	Καθαρίστε το.
	Ο σωλήνας καυσίμου είναι αποσυνδεδεμένος.	Συνδέστε σωστά το σωλήνα καυσίμου.
	Ο σωλήνας καυσίμου είναι λυγισμένος.	Ισιώστε το σωλήνα καυσίμου.
	Έχει μειωθεί η ποιότητα καυσίμου.	Το καύσιμο μειωμένης ποιότητας δυσκολεύει την εκκίνηση. Αντικαταστήστε με καινούργιο καύσιμο. (Συνιστώμενη αντικατάσταση: 1 μήνας)
	Υπάρχει υπερβολική αναρρόφηση καυσίμου.	Θέστε τη μανέτα στη μεσαία θέση ή στη θέση "H" και τραβήξτε τη λαβή εκκινήτη μέχρι να πάει μπρος ο κινητήρας. Αν ο κινητήρας ακόμη δεν παίρνει μπρος, αφαιρέστε τον σπινθηριστή, στεγνώστε το ηλεκτρόδιο και συναρμολογήστε τα ξανά όπως ήταν αρχικά. Μετά, ξεκινήστε όπως καθορίζεται.
	Το καπάκι μπουζί είναι αποσυνδεδεμένο.	Συνδέστε με ασφάλεια.
	Ο σπινθηριστής είναι μολυσμένος.	Καθαρίστε το.
	Το διάκενο του σπινθηριστή δεν είναι φυσιολογικό.	Ρυθμίστε το διάκενο.
	Υπάρχει άλλη ανωμαλία του σπινθηριστή.	Αντικαταστήστε τον.
	Το καρμπυρατέρ δεν είναι φυσιολογικό.	Ζητήστε επιθεώρηση και συντήρηση.
	Το σκοινί εκκινήτη δεν είναι δυνατό να τραβηχτεί.	Ζητήστε επιθεώρηση και συντήρηση.
Το σύστημα κίνησης δεν είναι φυσιολογικό.	Ζητήστε επιθεώρηση και συντήρηση.	

Ο κινητήρας σταματάει σύντομα Η ταχύτητα κινητήρα δεν αυξάνεται	Το ζεστάμα είναι ανεπαρκές.	Εκτελέστε τη λειτουργία ζεστάματος.
	Ο μοχλός τσοκ είναι ρυθμισμένος στο "CLOSE" παρότι ο κινητήρας έχει ζεσταθεί.	Θέστε τον στο "OPEN".
	Το φίλτρο καυσίμου είναι φραγμένο.	Καθαρίστε το.
	Το φίλτρο αέρα είναι μολυσμένο ή φραγμένο.	Καθαρίστε το.
	Το καρμπυρατέρ δεν είναι φυσιολογικό.	Ζητήστε επιθεώρηση και συντήρηση.
	Το σύστημα κίνησης δεν είναι φυσιολογικό.	Ζητήστε επιθεώρηση και συντήρηση.
Η αντλία δεν λειτουργεί.	Το στροφέιο κολλάει.	Απευθυνθείτε στο τοπικό εξουσιοδοτημένο κέντρο σέρβις της Makita για επισκευή.
Ο όγκος άντλησης είναι μικρός.	Μπαίνει αέρας από την πλευρά αναρρόφησης.	Ελέγξτε τη σωλήνωση στην πλευρά αναρρόφησης.
	Η έξοδος κινητήρα μειώθηκε.	Απευθυνθείτε στο τοπικό εξουσιοδοτημένο κέντρο σέρβις της Makita για επισκευή.
	Η μηχανική σφράγιση έχει σπάσει.	Αντικαταστήστε το παρέμβυσμα.
	Το ύψος αναρρόφησης είναι μεγάλο.	Μειώστε το ύψος αναρρόφησης.
	Ο εύκαμπτος σωλήνας είναι λεπτός ή μακρύς ή τσακισμένος.	Αυξήστε το πάχος, κοντύνετε ή ισιώστε.
	Υπάρχει διαρροή νερού στη δίοδο νερού.	Σταματήστε τη διαρροή.
	Το στροφέιο έχει φράξει λόγω ξένων ουσιών.	Απευθυνθείτε στο τοπικό εξουσιοδοτημένο κέντρο σέρβις της Makita για επισκευή.
	Το στροφέιο έχει φθαρεί.	Απευθυνθείτε στο τοπικό εξουσιοδοτημένο κέντρο σέρβις της Makita για επισκευή.
Δεν γίνεται προέγχυση της αντλίας αυτόματα.	Γίνεται αναρρόφηση αέρα στην πλευρά αναρρόφησης.	Ελέγξτε τη σωλήνωση στην πλευρά αναρρόφησης.
	Το νερό προέγχυσης μέσα στο περίβλημα αντλίας είναι ανεπαρκές.	Πραγματοποιήστε πλήρη προέγχυση.
	Το σφίξιμο της στρόφιγγας αποστράγγισης είναι ατελές.	Σφίξτε εντελώς τις 2 τάτες.
	Οι στροφές του κινητήρα είναι ατελείς.	Απευθυνθείτε στο τοπικό εξουσιοδοτημένο κέντρο σέρβις της Makita για επισκευή.
	Μπαίνει αέρας από τη μηχανική σφράγιση.	Αντικαταστήστε το παρέμβυσμα.

Genel görünüm açıklamaları

1 Tapa (emiş)	14 Jigle kolu	27 Emme
2 Basma	15 Marş şalteri	28 Süzgeç
3 Emme	16 İpli marş	29 Hortum (isteğe bağlı aksesuar)
4 Tapa (boşaltma)	17 Yağ göstergesi	30 Yağ göstergesi
5 Pompa gövdesi	18 Kurulum tabanı	31 Üst seviye
6 Tutamak	19 Gaz kolu	32 Alt seviye
7 Buji kapağı	20 Conta	33 Yakıt deposu kapağı
8 Hava filtresi	21 Hortum kaplini	34 Üst seviye
9 Depo kapağı	22 Kulaklı somun	35 Yakıt deposu
10 Yakıt deposu	23 Hortum kelepçesi	36 Yakıt borusu
11 Emme basma tulumba	24 Hortum	
12 I-O (Açma/Kapama) düğmesi	25 Tapa (emiş)	
13 Susturucu	26 Basma	

MAKITA Motorlu Pompayı tercih ettiğiniz için teşekkür ederiz. Uzun bir geliştirme programı ve yılların bilgi ve deneyiminin sonucu olan MAKITA Motorlu Pompayı önermekten mutluluk duyuyoruz. Olağanüstü performansını gösterecek çeşitli noktaları ayrıntısı ile anlatan bu kitapçığı lütfen okuyun. Bu kitapçık, MAKITA motorlu pompadan olası en iyi sonucu elde etmenize yardımcı olacaktır.

SİMGELER

Kullanma kılavuzunu okurken aşağıdaki simgeleri fark edeceksiniz.



Kullanma kılavuzunu okuyun ve uyarılar ile güvenlik önlemlerine riayet edin.



Özel itina ve dikkat gösterin.



Moturu asla iç mekanlarda kullanmayın.



Sıcakken motora dokunmayın.



Açık alev yasaktır!



Çalıştırmadan önce yağ seviyesini kontrol edin.



CE işareti

⚠ UYARI:

• MAKİNEYİ KULLANMADAN ÖNCE BU KILAVUZU BAŞTAN AŞAĞI OKUYUP ANLAYIN.

Aşağıdaki ⚠ işaretleri önemli güvenlik bilgilerinizi ifade eder. Bu talimatlara daima uyun. Ekipmanın hatalı kullanılması ciddi yaralanmalara neden olabilir.

⚠ **TEHLİKE:** Talimatlara uyulmaması ölüme veya ciddi yaralanmalara neden olabilir.

⚠ **UYARI:** UYARI talimatlarına uyulmaması makine operatörünün, yanına bekleyenlerin veya makineyi muayene eden ya da onaran kişilerin ciddi şekilde yaralanmalarına veya ölmelerine neden olabilir.

⚠ **DİKKAT:** DİKKAT, kişisel yaralanma ve makinenin hasar görmesini engellemek için alınması gereken özel önlemleri gösterir.

NOT: NOT, prosedürleri kolaylaştırmak ve netleştirmek için önemli bilgiler sağlar.

GÜVENLİK TALİMATLARI

- Bu kullanma kılavuzu ekipmanın genel kullanımını ve önlemleri açıklar. Ekipmanı çalıştırmadan önce bu kullanma kılavuzunu dikkatlice okuyun. Ve güvenlik kurallarına harfiyen uyun.
- İleride başvuru kaynağı olarak kullanmak üzere bu kullanma kılavuzunu güvenli bir yerde saklayın. Bu kullanma kılavuzunun kaybolması veya hasar görmesi durumunda yenisini temin etmek için hemen Makita yetkili servisine başvurun.
- Ekipmanı başka kişilerin geri almak/almamak üzere verirken ekipmanla birlikte daima kullanma kılavuzunu ve diğer bilgilendirici materyalleri de verin.
- Kesintisiz araştırma ve geliştirme programımızdan dolayı ürünün teknik özellikleri haber vermeksizin değiştirilmeye tabidir. Bu kullanma kılavuzunda yer alan resimler ve içerik, asıl üründen farklı olabilir.
- Daha fazla bilgi için yardıma ihtiyaç duyarsanız yerel bayiinize veya yetkili Makita servisine başvurun.

Makinenin kullanım amacı

Bu ekipman, yalnızca sulama amaçlı olarak tasarlanmıştır.

Bu ekipman sadece temiz su pompalamak için kullanılır.

⚠ TEHLİKE:

- Ekipman üzerinde modifikasyon veya deęişiklik yapmayın.
- Ekipmanı kullanım amacı dışında kullanmayın.
- Bakım ve onarım için sadece orijinal, onaylı yedek parçalar kullanın.
- Yukarıdaki uyarılara uyulmaması ekipmanın ciddi hasar görmesine veya yaralanmaya neden olabilir.

EGZOS ÖNLEMLERİ

- Egzoz gazlarını asla solumayın. Biliç kaybına veya ölüme neden olabilecek renksiz, kokusuz ve oldukça tehlikeli bir gaz olan karbon monoksit içerirler.
- Motoru asla iç mekanlarda veya tünel, mağara, vb. gibi iyi havalandırılmayan yerlerde kullanmayın.
- Motoru insanların veya hayvanların yanında kullanırken çok dikkatli olun.
- Egzoz borusunu yabancı maddelerden temiz tutun.

YAKIT DOLDURMA ÖNLEMLERİ

- Yakıt doldurmadan önce motoru mutlaka durdurun.
- Yakıt deposunu aşırı doldurmayın.
- Yakıt dökülürse dikkatlice silin ve motoru çalıştırmadan önce yakıtın kurumasını bekleyin.
- Yakıt doldurduktan sonra dökülmesini önlemek için depo kapağının kapalı olduğunu kontrol edin.

YANGINI ÖNLEME

- Sigara içerken veya açık alevin yanında ekipmanı kullanmayın.
- Ekipmanı kuru çalı, çerçöp, bez çaput veya diğer yanıcı malzemelerin etrafında kullanmayın.
- Motoru binalardan veya diğer yapılardan en az 1 metre uzakta tutun.
- Motoru yanıcı maddelerden veya diğer tehlikeli maddelerden (çöp, çaput, yağla, patlayıcılar) uzak tutun.

Sadece Avrupa ülkeleri için

EC Uygunluk Beyanı

Sorumlu imalatçı olarak biz Makita Corporation beyan ederiz ki aşağıdaki Makita makinesi/ makineleri:

Makine Adı: Motorlu Pompa

Model No./ Tipi: EW1050H, EW1060H

Teknik özellikleri: Bkz. "TEKNİK BİLGİLER" tablosu

seri üretilmişlerdir ve

aşağıdaki Avrupa Direktiflerine uygundur:

2000/14/EC, 2006/42/EC, 2010/26/EU,

2004/108/EC, 2000/14/EC, 2005/88/EC

Ve aşağıdaki standartlara veya standartlaştırılmış belgelere uygun olarak imal edilmişlerdir:

EN 809, EN 55012

Teknik dokümantasyon aşağıdaki temsilcimiz tarafından muhafaza edilmektedir:

Makita International Europe Ltd., Teknik Departman,
Michigan Drive, Tongwell, Milton Keynes, Bucks
MK15 8JD, İngiltere

Direktif 2000/14/EC tarafından istenen uygunluk değerlendirme prosedürü, ek V'ye uygundur.

Ölçülen Ses Gücü Seviyesi: 100,9 dB(A)

Garanti Edilen Ses Gücü Seviyesi: 109 dB(A)

31.8.2012



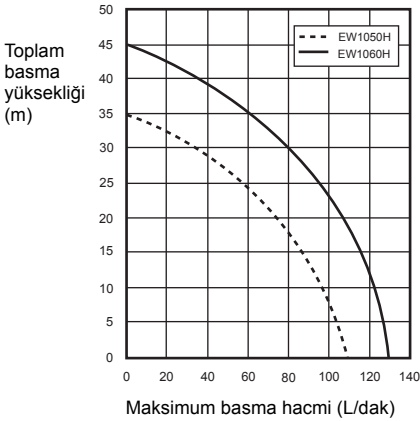
Tomoyasu Kato
Müdür

Makita Corporation
3-11-8, Sumiyoshi-cho,
Anjo, Aichi, JAPAN

TEKNİK BİLGİLER

		EW1050H	EW1060H	
Ağırlık	kg	5,8	7,3	
Ebat	mm	327 x 231 x 319	356 x 234 x 336	
Tip		Kendinden emişli SANTRİFÜJ POMPA		
Çap (emme-boşaltma)	inç	1		
Toplam basma yüksekliği	m	35	45	
Maksimum basma hacmi	L/dak	110	130	
Maksimum emme derinliği	m	8	8	
Hacim (yakıt deposu)	L	0,5	0,65	
Hacim (yağ deposu)	L	0,08	0,1	
Motor silindir hacmi	cm ³	24,5	33,5	
Maksimum motor performansı	kW	7.000 dakika ⁻¹ da 0,71	7.000 dakika ⁻¹ da 1,07	
Karbüratör	tip	Diyafram		
Ateşleme sistemi	tip	Transistörlü ateşleme		
Buji	tip	NGK CMR6A		
Buji tırnak aralığı	mm	0,7 – 0,8		
Yakıt		Otomobil benzini		
Motor yağı		SAE 10W-30 yağ, API Sınıflandırma, Sınıf SF veya üstü (otomobil için 4 zamanlı motor)		
Geçerli su sıcaklığı	°C	5 – 40	5 – 40	
Ses basınç seviyesi	L _{pA, eq}	dB (A)	88,4	88,4
	Belirsizlik K	dB (A)	3	3
Ses güç seviyesi	L _{WA, d}	dB (A)	109	109

Not: Çalışma sırasında kulak koruyucu takın.



PARÇALARIN GÖSTERİMİ (Şekil 1 ve 2)

MONTAJ (Şekil 3)

⚠ UYARI:

- Ekipman üzerinde herhangi bir iş yapmadan önce motoru daima durdurun.
- Motoru yalnızca ekipmanı tamamen monte ettikten sonra başlatın.

HORTUM MONTAJI

1. Hortum rakorlarını pompaya monte edin.

⚠ DİKKAT:

- Rakoru pompaya monte ederken contanın mevcut olduğunu kontrol edin.
2. Hortumları rakorlara kelepçe ile bağlayın. Hortum kelepçesinin iyice sıkıldığını kontrol edin.
 3. Giriş hortumu ucuna süzgeci bağlayın.

NOT:

- Hava kaçağı varsa su emilemez.

⚠ DİKKAT:

- Süzgeci sökmeyin aksi takdirde pompada yabancı maddeden kaynaklanan hasar oluşabilir. Hortum keleğçesinin iyice sıkıldığını kontrol edin.

ÇALIŞTIRMA ÖNCESİ KONTROLLER

⚠ UYARI:

- Ekipman üzerinde herhangi bir iş yapmadan önce motoru daima durdurun. İşi daima düz ve sabit bir yüzey üzerinde yapın.
- Motoru çalıştırmadan önce ekipmanda gevşek vida veya gevşek bağlantı olup olmadığını kontrol edin.
- Hala sıcakken muayene ve onarım sırasında motora ve susturucuya vücut organlarınızla veya kumaşla dokunmaktan sakının.
- Havalandırmaya özel dikkat gösterin. Karbonmonoksit zehirlenmesine karşı dikkatli olun.

MUAYENE VE MOTOR YAĞI DOLUMU (Şekil 4)

Motor soğukken aşağıdaki prosedürü uygulayın.

- Motorun yatay pozisyonda olduğundan emin olun.
- Yağ seviyesini kontrol etmek için yağ göstergesini yağ doldurma ağzından çıkarın.
- Yağ seviyesinin yağ göstergesindeki alt ve üst sınır arasında olduğunu kontrol edin.
- Yağ seviyesi alt sınırın altında ise yağ ilave edin.
- Yaklaşık her 10 çalışma saati (her 10 yakıt doldurma) sonunda yağ doldurmanız gerekebilir.
- Yağ renk değiştirir veya pislikle karışırsa yenisi ile değiştirin.

Önerilen yağ: SAE 10W-30 yağ, API Sınıflandırma, Sınıf SF veya üstü (otomobil için 4 zamanlı motor)

Yağ hacmi:

EW1050H modeli için: Yaklaşık 0,08 L

EW1060H modeli için: Yaklaşık 0,1 L

NOT:

- Motor yatay konumlandırılmamışsa yağ seviyesi hatalı görülebilir ve aşırı yağ doldurulabilir. Yağın üst sınırı aşacak şekilde doldurulması yağ kirlenmesine veya beyaz dumana neden olabilir.

Motor yağının doldurulması

1. Motoru yatay pozisyonda tutun ve yağ göstergesini çıkarın.
2. Üst sınır işaretine kadar yağ doldurun. Doldururken yağ şişesi kullanın.
3. Yağ göstergesini iyice sıkın. Yetersiz sıkma yağ kaçağına neden olabilir.

Yağ doldurduktan sonra

- Yağ dökülmüşse bezle derhal silin.

Yağ değişimi: Yağ göstergesi

- Yağ doldurma ağzının yanındaki toz veya pislikleri temizleyin.
- Sökülmüş yağ göstergesini kum veya tozdan uzak tutun. Aksi takdirde yağ kapağına yapışan kum veya toz, düzensiz yağ dolaşımın sorunlarına veya motor parçalarının aşınmasına neden olabilir.

YAKIT

⚠ UYARI:

- Yakıt oldukça yanıcı ve zehirlidir. Yakıtla işlem yaparken açık alevlerden (sigara, fırın, havai fişekler), elektrik kıvılcıklarından (akü, kısa devre, kısa devre olmuş şalterden kaynaklanan kıvılcım, kaynak kıvılcımları, vb.) uzak durun.
- Yakıt doldurmadan önce motoru mutlaka durdurun. Motor hala sıcakken yakıt doldurmayın.
- Yakıt doldurma dışında küçük bir kaba yakıt boşaltırken bile daima çok dikkatli olun.
- Yakıt doldurduktan sonra yakıt deposu kapağını sıkıca kapatın ve dökülen yakıtı tamamen silerek temizleyin.

Yakıt ile yapılan işlemler

Yakıt işlemler yaparken azami dikkat gösterilmelidir. Yakıt, solventlere benzer maddeler içerebilir. Yakıt doldurma yeterince havalandırılan bir odada veya açık havada yapılmalıdır. Yakıt buharını asla solumayın ve yakıtı kendinizden uzakta tutun. Yakıtı sürekli olarak veya uzun süreli temas ederseniz cilt rahatsızlığına veya alerjiye neden olan cilt kuruması meydana gelebilir. Göze yakıt kaçması durumunda gözü tatlı suyla yıkayın. Gözde tahriş devam ederse doktora başvurun.

Yakıt depolama periyodu

İyi havalandırılan ve gölge bir yerde özel kapta muhafaza edilse bile yakıt 4 haftalık bir periyot içinde kullanılmalıdır.

Aksi takdirde yakıt bir günde bozulabilir.

Makine ve yakıt deposunun saklanması

- Makine ve depoyu, doğrudan güneş ışığı görmeyen serin bir yerde saklayın.
- Yakıtı asla arabada saklamayın.

Yakıt tipi:

Motor dört zamanlı bir motordur. Mutlaka 87 veya daha yüksek oktanlı kurşunsuz otomobil benzini ((R+M)/2) kullanın. %10'u aşmayan alkol (E-10) içerebilir.

- Asla motor yağı içeren yakıt karışımı kullanmayın. Aksi takdirde aşırı karbon birikmesine veya mekanik sorunlara neden olabilir.

Yakıt deposu kapasitesi:

EW1050H modeli için: 0,5 L

EW1060H modeli için: 0,65 L

Yakıt doldurma (Şekil 5)

1. Motoru yatay bir pozisyonda tutun.
 2. Depo basıncını boşaltmak için yakıt deposu kapağını hafif gevşetin.
 3. Yakıt deposu kapağını çıkarın ve yakıtı doldurun. Yakıtı deponun üst kısmına kadar DOLDURMAYIN.
 4. Yakıtı doldurduktan sonra yakıt deposu kapağını sıkıca kapatın.
- Yakıt deposuna pislik girmesini engellemek için yakıt deposu kapağının dışını silin.
 - Yakıt deposu kapağında herhangi bir kusur veya hasar varsa değiştirin.
 - Yakıt deposu kapağı zamanla yıpranır. İki üç yılda bir değiştirin.
 - Yağ doldurma ağzına yakıt KOYMAYIN.

Emiř suyu (řekil 6)

⚠ DİKKAT:

- Pompayı, pompa gövdesinde su yokken çalıştırmayın. Aksi takdirde mekanik salmastra hasar görebilir.

Emiř tapasını çıkarın ve pompa gövdesi su ile dolana dek temiz su ilave edin. Doldurduktan sonra emiř tapasını sıkıca takın.

NOT:

- Su emiři yeterli deęilse kendinden emiř kapasitesi düşer.
- Pompanın sabit bir yere yerleřtirildiğinden ve su kaynağına mümkün olduđu kadar yakın olduğundan emin olun.
- Emme yükseklięi ne kadar yüksek olursa daha az boşaltma ile emiř için gerekli süre o kadar yüksek olur.

MOTORUN KONTROL EDİLMESİ:

- Yakıt hortumlarını ve bağlantıları kontrol ederek gevşek olmadıklarını ve yakıt kaçağı olmadığını dikkatlice kontrol edin. Kaçak yakıt potansiyel olarak tehlikeli bir durum yaratır.
- Cıvataların ve somunların gevşek olmadıklarını kontrol edin. Gevşek olan varsa sıkın. Gevşek bir cıvata ve somun ciddi motor sorunlarına neden olabilir.
- Motor yağına kontrol edin ve gerekirse doldurun.
- Yakıt seviyesini kontrol edin ve gerekirse doldurun. Depoyu aşırı doldurmamaya dikkat edin.
- Silindir kapaçıklarını ve iple marşı pislikten, çim ve diđer şeylerden temiz tutun.
- Motoru kullanırken vücudu saran iş elbisesi giyin.

KULLANMA

⚠ UYARI:

- Özellikle motoru yeniden çalıştırırken sıcak motor susturucusuna asla dokunmayın. Motor çalıştıktan sonra motor susturucusu sıcak olur.
- Pompa kullanımında iken tahliye vanalarına ellerinizi veya yabancı maddeler koymayın.

⚠ UYARI:

Su darbesine karşı dikkatli olun

- Araç tekerleğinin basma hortumunun üzerinden geçmesine izin vermeyin. Basma vanasını aniden kapatmayın, çünkü pompaya ağır hasar verebilecek su darbesi meydana gelebilir.

Başlatma:

⚠ DİKKAT:

- Yağlama yağı henüz yeterince dağılmadığından motor başlar başlamaz motora hız vermeyin. Gereksiz yüksek devir, ekipmanın ömrünü kısaltır veya hasara neden olur.

1. Pompa gövdesinin su dolu olduğunu kontrol edin.
2. Suyun altında süzgeç olduğunu kontrol edin.

⚠ DİKKAT:

- Suyun alt kısmı çamur veya kum ile kaplandığında bir takım önleyici yöntemlere başvurun.
3. Basma hortumunun ağzında engel olmadığını kontrol edin.
 4. Motor I-O (Açma/Kapama) düğmesini "I" (Açık) konumuna alın.
 5. Gaz kolunun "L"yi gösterdiğini kontrol edin. (řekil 7)

6. Emme basma pompasına yakıt gelene dek emme basma tulumbasına basmaya devam edin. (Genelde 7 ila 10 kes.)
7. Jigle kolunu ayarlayın.
 - Motor soğukta veya ortam sıcaklığı düşükse jigle kolunu tamamen kapatın. (řekil 8)
 - Motor ılıksa veya ortam sıcaklığı yüksekse jigle kolunu yarıya kadar açın veya tamamen açık tutun.
8. Marş şalterini, belirli bir direnç hissedene dek hafifçe çekin. Ardından marş şalterini çevirin ve güçlü bir şekilde çekin.
İpi asla sonuna kadar çekmeyin.
Marş şalteri çekildiğinde asla elinizi hemen bırakmayın. Orijinal konumuna dönene dek marş şalterini tutun.
Motor zor çalışıyorsa, kısma mandalını yaklaşık 1/3 oranında açın.
9. Motor başladıktan sonra jigle kolunu kapattıysanız jigle kolunu AÇIK konuma getirin. (řekil 9)
10. Motorun düzgün bir şekilde "ısınmasına" izin verin. Isınma işlemine 2 ila 3 dakika boyunca "L" konumunda devam edin.

Motorun çalıştırılması:

Gaz kolunu orta konuma alın ve basma hortumunda su geldiğini kontrol edin.

İşlemi bitirme

Motorun durdurulması

Motoru en düşük devire almak için gaz kolunu "L" konumuna alın.

Motor I-O (Açma/Kapama) düğmesini "O" (Kapalı) konumuna alın.

Kullandıktan sonra suyu boşaltın

Pompa gövdesindeki su, kışın 0°C'nin altında donar ve muhtemelen pompayı parçalar. Kullandıktan sonra saklamak için alt kısmındaki boşaltma ağzından suyu boşaltın.

BAKIM TALİMATLARI

⚠ UYARI:

- Ekipman üzerinde herhangi bir iş yapmadan önce motoru daima durdurun. Motor hala sıcakken hiçbir iş yapmayın.

⚠ DİKKAT:

- Bakım sırasında motoru suyla yıkamayın.

MOTOR YAĞI DEĞİŐİMİ

⚠ UYARI:

- Motor durduktan hemen sonra motor ve motor yağı hala sıcaktır. Motor ve motor yağının soğuması için yeterince bekleyin. Aksi takdirde ciltte yanığa neden olabilir.

⚠ DİKKAT:

- Yağı deęiřtirmeden önce eski yağı bertaraf etmenin uygun bir yolunu bulun. Kanalizasyon giderlerine, bahçe toprağına veya açık sulara dökmeyin. Yerel imar ve çevre mevzuatı, uygun bertaraf ile ilgili ayrıntılı talimatlar verecektir.
Bozulmuş motor yağı motor ömrünü kısaltır. Yağı ve seviyesini düzenli olarak mutlaka kontrol edin.

NOT:

- Yağ seviyenin üzerinde doldurulursa kirlenebilir veya tutuşarak beyaz dumana neden olabilir. Yağ seviyesini düzgün okumak üzere motor yağının yağ deposuna dönmesi için motoru durdurduktan sonra yeteri kadar bekleyin.

Değişim aralığı: İlk 20 çalışma saati sonunda ve ardından her 50 çalışma saati sonunda.

Önerilen yağ: SAE 10W-30 yağ, API Sınıflandırma, Sınıf SF veya üstü (otomobil için 4 zamanlı motor yağı)

Yağ hacmi:

EW1050H modeli için: Yaklaşık 0,08 L

EW1060H modeli için: Yaklaşık 0,1 L

- Yağ göstergesini çıkarın. (**Şekil 10**) Yağ göstergesini yerleştirirken pislik, toz veya başka yabancı maddeler yapışmaması için dikkatli olun.
- Yağ doldurma ağzının etrafındaki kısma bez veya kağıt havlu yerleştirin.
- Yağ göstergesini çıkarın, motoru yatırın ve yağı tavaya veya başka bir kaba boşaltın.
- Ekipmanı düz bir yüzeye yerleştirin. Sıkmalı şişe veya uygun başka bir kaptan yağı dökün. Doldurma boğazını taşacak noktaya kadar yağ ile doldurun. (**Şekil 4**)
- Motora yağ doldurduktan sonra yağ göstergesini yerine takın. Gevşemesi durumunda yağ sızacağından yağ göstergesinin sıkıca takıldığını kontrol edin.

BUJİNİN KONTROL EDİLMESİ (Şekil 11)

⚠ DİKKAT:

- Motor çalışırken buji konektörüne asla dokunmayın (yüksek gerilimli elektrik çarpması tehlikesi).

Temizlik ve Muayene Aralığı: Günde bir kere (her 10 çalışma saati sonunda)

- Bujiyi söküp takmak için sadece ürünle verilen İngiliz anahtarını kullanın.
- Bujinin iki elektrodu arasındaki boşluk 0,7 – 0,8 mm olmalıdır.

Boşluk çok büyük veya küçükse ayarlayın. Buji tıkanır veya kirlenirse baştan aşağı temizleyin ve değiştirin.

HAVA FİLTRESİNİN TEMİZLENMESİ (Şekil 12)

⚠ UYARI:

- Motoru kapatın. Açık alevlerden uzak durun. Kirliliği hava filtresi elemanları başlatmada zorluklara, güç kaybına, motor arızalarına neden olur ve motor ömrünü oldukça kısaltır. Hava filtresi elemanını temiz tutun.

Temizlik ve Muayene Aralığı: Günde bir kere (her 10 çalışma saati sonunda)

- Karbüratöre toz ve pislik girmesini engellemek için jigle kolunu tam kapalı konuma getirin.
- Hava filtresi kapağı sabitleme civatasını sökün.
- Kapağın alt kenarını dışarı çekerek hava filtresi kapağını çıkarın.
- Elemanı çıkarın ve ılık su ve yumuşak deterjandan oluşan solüsyonla yıkayarak temizleyin ve ardından tamamen kurumasını sağlayın.
- Resimde gösterildiği gibi çizgilerle hizalayarak takın.
- Hava filtresi kapağının ve hava deliğinin etrafındaki alana bulaşmış yağı bir bezle silin.
- Temizledikten sonra filtre kapağını yerine takın (önce üstteki tırnağı ardından alttaki tırnağı geçirin) ve sabitleme civatasını sıkın.

YAKIT FİLTRESİNİN TEMİZLENMESİ

⚠ UYARI:

- Motoru kapatın. Açık alevlerden uzak durun. Sigara içmeyin.

Temizlik ve muayene aralığı: Ayda bir kere (her 50 çalışma saati sonunda)

Yakıt filtresi, karbüratörün istediği yakıtın filtrelenmesinde kullanılır. Yakıt filtresi, periyodik olarak gözle kontrol edilmelidir.

- Yakıt deposu kapağını açın, bir tel kanca kullanarak emme ucunu depo ağzından çıkarın.
- Hortum kelepçesini söküp yakıt filtresini yakıt borusundan çekerek çıkarın.
- Yakıt filtresini kerosen ile yıkayın.
- Yıkadıktan sonra yerine monte edin.
- Filtre sertleşmiş veya tıkanmışsa yenisiyle değiştirin.

Karbüratöre yeterli yakıt beslemesi sağlamak için yakıt filtresini en az üç ayda bir değiştirin. Aksi takdirde yetersiz yakıt beslemesi motorun başlatılmamasına ve sınırlı maksimum hıza neden olabilir.

Kontrol ettikten, temizledikten veya değiştirdikten sonra yakıt filtresini yakıt borusuna hortum kelepçesi ile sabitleyin.

Yakıt filtresini yakıt deposunun dibine sonuna kadar itirin. (**Şekil 13**)

YAKIT BORUSUNUN DEĞİŞTİRİLMESİ (Şekil 14)

⚠ UYARI:

- Motoru kapatın. Açık alevlerden uzak durun.

Temizlik ve Muayene Aralığı: Günde bir kere (her 10 çalışma saati sonunda)

Değiştirme: Yılda bir kere (her 200 çalışma saati sonunda)

Çalışma sıklığı ne olursa olsun yakıt borusunu yılda bir kez değiştirin. Yakıt kaçağı yangına neden olabilir. Muayene sırasında herhangi bir kaçak tespit edilirse yakıt borusunu derhal değiştirin.

CİVATALARIN, SOMUNLARIN VE VİDALARIN KONTROL EDİLMESİ

- Gevşek civataları, somunları, vb. sıkın.
- Yakıt kapağının ve yağ kapağının sıkı olduğunu kontrol edin. Yakıt ve yağ kaçağı olup olmadığını kontrol edin.
- Güvenli çalışma için hasarlı parçaları yenileriyle değiştirin.

PARÇALARIN TEMİZLENMESİ

- Bezle silerek motoru daima temiz tutun.
- Silindirik kanatçıklarını toz ve pislikten temiz tutun. Kanatçıklara yapışan toz ve pislik piston sıkışmasına neden olabilir.

Periyodik bakım zaman çizelgesi

Parça	Yapma zamanı	Kullanma- dan önce	Günlük (10 saat)	50 saat	200 saat	Depolama- dan önce
Motor yağı	Kontrol et/doldur	○				
	Değiştir			○*1		
Parçaların sıkılması (cıvata, somun)	Kontrol et	○				
Yakıt deposu	Temizle/kontrol et	○				
	Yakıtı boşalt					○
Gaz kolu	Fonksiyon kontrolü	○				
I-O (Açma/Kapama) düğmesi	Fonksiyon kontrolü	○				
Hava filtresi	Temizle		○			
Buji	Kontrol et		○			
	Temizle/ayarla				○	
Soğutma hava kanalı ve silindir kanatçıkları	Temizle/kontrol et		○			
Yakıt borusu	Kontrol et		○			
	Değiştir				◎*2	
Yakıt filtresi	Temizle/değiştir			○		
Subap boşluğu (emme subabı ve egzoz subabı)	Kontrol et/ayarla				◎*2	
Gerekirse motor revizyonu					◎*2	
Karbüratör	Yakıtı boşalt					○
Pompa seti	Temizle		○			
Süzgeç	Kontrol et/temizle	○				

*1 20 saat çalışmadan sonra ilk değiştirmeyi yapın.

Yağı değiştirmeden önce eski yağı bertaraf etmenin uygun bir yolunu bulun. Kanalizasyon giderlerine, bahçe toprağına veya açık sulara dökmeyin. Yerel imar ve çevre mevzuatı, uygun bertaraf ile ilgili ayrıntılı talimatlar verecektir.

*2 200 çalışma saati kontrolü için yetkili servise başvurun.

DEPOLAMA

⚠ UYARI:

- Yakıtı boşaltırken motoru mutlaka durdurun ve motorun soğuduğunu kontrol edin.
- Motoru durdurduktan hemen sonra hala sıcak olabilir ve yanıklara, tutuşmaya ve yangına neden olabilir.

⚠ DİKKAT:

- Ekipman uzun süre çalıştırılmadan tutulacaksa yakıt deposundaki tüm yakıtı boşaltın ve kuru ve temiz bir yerde muhafaza edin.

Depolamadan önce

- Tüm suyu boşaltma deliğinden tamamen boşaltın.
- Motor üzerindeki iple marş kolunu direnç hissedene dek hafifçe çekin.

- Yakıtı yakıt deposundan boşalttıktan sonra yakıt borusundaki yakıt bitene dek emme basma tulumbaya basın. Yakıtı pompadan bir kez daha boşaltın.

- Gaz kolunu "L" konumuna alın.
- Tüm pislik ve tozu temizleyin.
- Pompayı donma riski olmayan kuru, ılık bir yerde depolayın.

Taşıma

Makineyi kaldırırken ve taşıırken tutamağı iki elinizle sıkıca tutun.

SORUN GİDERME

Onarım talebinde bulunmadan önce sorunu kendi kendinize kontrol edin. Anormallik bulunursa bu kılavuzda açıklandığı şekilde makinenizi kontrol edin. Açıklananlara zıt olarak asla hiçbir parçayı kurcalamayın veya sökmeyin. Onarım için yetkili servise başvurun.

Sorun	Nedeni	Çözüm
Motor başlamıyor.	Emme basma tulumba düzgün çalıştırılmadı.	7 ila 10 kes basın.
	Marş ipinin düşük hızla çekilmesi.	Güçlü bir şekilde çekin.
	Yakıt yok.	Yakıtı doldurun.
	Tıkalı yakıt filtresi.	Temizleyin.
	Ayrık yakıt hortumu.	Yakıt hortumunu düzgün bağlayın.
	Bükülmüş yakıt hortumu.	Yakıt hortumunu düzeltin.
	Bozuk yakıt.	Bozuk yakıt başlatmayı zorlaştırır. Yeni yakıtla değiştirin. (Önerilen değiştirme sıklığı: Ayda 1 kez)
	Aşırı yakıt emişi.	Gaz kolunu orta veya "H" konumuna alın ve marş kolunu motor başlayana dek çekin. Motor yine de başlamazsa bujiyi çıkarın, elektrodu kurulaşın ve orijinal hallerindeki gibi yeniden monte edin. Ardından belirtildiği gibi başlatın.
	Çıkış buji kapağı.	Sıkıca takın.
	Kirlenmiş buji.	Temizleyin.
	Bujide normal olmayan aralık.	Aralığı ayarlayın.
	Bujide başka bir anormallik.	Değiştirin.
	Anormal karbüratör.	Muayene ve bakım talep edin.
	Marş ipi çekilemiyor.	Muayene ve bakım talep edin.
Anormal tahrik sistemi.	Muayene ve bakım talep edin.	
Motor kısa süre sonra duruyor. Motor hızı yükselmiyor.	Yetersiz ısınma.	Isınma işlemi yapın.
	Motor ısınmasına rağmen jigle kolu "CLOSE" konumda.	"OPEN" konuma alın.
	Tıkalı yakıt filtresi.	Temizleyin.
	Kirlenmiş veya tıkalı hava filtresi.	Temizleyin.
	Anormal karbüratör.	Muayene ve bakım talep edin.
	Anormal tahrik sistemi.	Muayene ve bakım talep edin.
Pompa çalışmıyor.	Çark sıkışması.	Yerel Makita yetkili servisinizden onarımını isteyin.

Pompalama hacmi düşük.	Emme tarafına hava giriyor.	Emme tarafındaki hortumları kontrol edin.
	Motor çıkışı düşüyor.	Yerel Makita yetkili servisinizden onarmasını isteyin.
	Mekanik salmastra çatlak.	Salmastrayı değiştirin.
	Yüksek emme derinliği.	Emme derinliğini düşürün.
	İnce veya uzun veya dolaşmış hortum.	Kalınlaştırın, kısaltın veya düzeltin.
	Su kanalından su kaçağı.	Kaçağı durdurun.
	Çarkta yabancı maddeden dolayı tıkanma.	Yerel Makita yetkili servisinizden onarmasını isteyin.
	Çark aşınması.	Yerel Makita yetkili servisinizden onarmasını isteyin.
Pompa kendinden emiş yapmıyor.	Emme tarafında hava emişi.	Emme tarafındaki hortumları kontrol edin.
	Pompa gövdesinde yetersiz emiş suyu.	Tam olarak doldurun.
	Boşaltma musluğu düzgün sıkılmamış.	2 tapayı da tamamen sıkın.
	Motor düzgün dönmüyor.	Yerel Makita yetkili servisinizden onarmasını isteyin.
	Mekanik salmastradan hava giriyor.	Salmastrayı değiştirin.

Пояснення до загального вигляду

1 Пробка (заливна)	14 Важіль дроселювання	26 Подача
2 Подача	15 Ручка стартера	27 Всмоктування
3 Всмоктування	16 Шнуровий стартер	28 Сітчастий фільтр
4 Пробка (зливна)	17 Щуп рівня мастила	29 Шланг (додатковий аксесуар)
5 Корпус помпи	18 Опорна штанга	30 Щуп рівня мастила
6 Ручка	19 Важіль регулятора подачі пального	31 Максимальний рівень
7 Кришка свічки запалювання	20 Прокладка	32 Мінімальний рівень
8 Повітряний фільтр	21 З'єднувальна муфта шланга	33 Кришка паливного баку
9 Кришка баку	22 Накатна гайка	34 Максимальний рівень
10 Паливний бак	23 Хомут шланга	35 Паливний бак
11 Паливна помпа	24 Шланг	36 Бензопровід
12 Перемикач I-O (увімк./вимк.)	25 Пробка (заливна)	
13 Глушник		

Дякуємо вам за те, що ви обрали мотопомпу MAKITA. З радістю представляємо вам мотопомпу MAKITA, в якій поєднано наш багаторічний досвід і знання та результати тривалої проектної роботи.

Просимо вас ознайомитися з цією брошурою, де докладно висвітлено виняткові характеристики виробу. Вона допоможе вам отримати найкращі результати від користування мотопомпою MAKITA.

ПОЗНАЧЕННЯ

Під час ознайомлення з цією інструкцією ви побачите такі позначення.



Прочитайте інструкцію та дотримуйтеся всіх попереджень і заходів безпеки.



Будьте особливо уважні та обережні.



Категорично заборонено вмикати двигун у приміщенні.



Не торкайтеся двигуна, коли він гарячий.



Не використовувати пристрій поблизу відкритого вогню!



Перед запуском перевірте рівень мастила.



Маркування CE

⚠ ПОПЕРЕДЖЕННЯ!

• ПЕРШ НІЖ КОРИСТУВАТИСЯ ВИРОБОМ, ПОВНІСТЮ ПРОЧИТАЙТЕ ТА ЗРОЗУМІЙТЕ ЦЮ ІНСТРУКЦІЮ.

Наведені нижче позначення ⚠ супроводжують важливі відомості щодо техніки безпеки. Завжди дотримуйтеся цих вказівок. Неправильне використання обладнання може призвести до серйозних нещасних випадків.

⚠ **НЕБЕЗПЕКА!** Недотримання вказівок може спричинити смерть або важкі травми.

⚠ **ПОПЕРЕДЖЕННЯ!** Недотримання вказівок, пов'язаних із ПОПЕРЕДЖЕННЯМ, може спричинити важкі травми або смерть оператора обладнання, особи яка проводить перевірку або ремонт виробу, чи знаходиться поряд.

⚠ **УВАГА!** Словом УВАГА! позначено спеціальні застережні заходи, яких слід уживати для попередження травмування людей і пошкодження обладнання.

ПРИМІТКА. У ПРИМІТКАХ наведено основні відомості, призначені спростити чи пояснити процес.

ІНСТРУКЦІЇ З ТЕХНІКИ БЕЗПЕКИ

– У цій інструкції містяться пояснення щодо загальної експлуатації та заходів безпеки під час користування обладнанням. Ретельно ознайомтеся з цією інструкцією, перш ніж починати користуватися цим пристроєм. Також слід неухильно дотримуватися правил техніки безпеки.

– Зберігайте цю інструкцію в надійному місці для використання в майбутньому. У випадку втрати чи пошкодження інструкції негайно зверніться до уповноваженого сервісного центру Makita для її заміни.

– Якщо ви позичаєте або передаєте обладнання іншим людям, завжди передавайте разом із обладнанням інструкцію та інші інформаційні матеріали.

– Зважаючи на те, що в нас постійно діє програма досліджень і розвитку, технічні характеристики виробу може бути змінено без повідомлення. Зображення або зміст цієї інструкції можуть відрізнятися від наявного виробу.

– Якщо вам потрібні докладніші відомості, звертайтеся по допомогу до місцевого дилера або уповноваженого сервісного центру Makita.

Використання обладнання за призначенням

Це обладнання призначене лише для поливання та зрошення.

Його можна використовувати для подачі лише чистої води.

НЕБЕЗПЕКА!

- Категорично заборонено вносити будь-які модифікації або зміни в обладнання.
- Не користуйтеся обладнанням для виконання робіт, для яких воно не призначене.
- Для технічного обслуговування та ремонту використовуйте лише схвалені оригінальні запчастини.
- Недотримання викладених вище попереджень може спричинити серйозне ушкодження обладнання або травмування людей.

ЗАСТЕРЕЖЕННЯ ЩОДО ВИХЛОПНИХ ГАЗІВ

- Категорично заборонено вдихати вихлопні гази. Вони містять чадний газ, безколірний газ без запаху, який, проте, є надзвичайно небезпечним і може спричинити втрату свідомості або смерть.
- Категорично заборонено користуватися двигуном у приміщенні або в недостатньо провітрюваному місці, наприклад, тунелі, печері тощо.
- Будьте особливо обережні, використовуючи двигун поблизу людей або тварин.
- Слідкуйте за тим, щоб у вихлопну трубу не потрапляли сторонні предмети.

ЗАСТЕРЕЖЕННЯ ЩОДО ЗАПРАВЛАННЯ

- Перш ніж заправляти паливний бак, потрібно вимкнути двигун.
- Не заливайте пальне в бак вище максимального рівня.
- У разі розлиття пального ретельно витріть його та дочекайтеся повного висихання поверхні, перш ніж запускати двигун.
- Після заправки щільно закрутіть кришку баку, щоб попередити витікання.

ПОЖЕЖНА БЕЗПЕКА

- Не куріть під час користування обладнанням і не користуйтеся виробом поблизу відкритого полум'я.
- Не користуйтеся обладнанням поруч із сухими кущами, травою, ганчір'ям та іншими легкозаймистими матеріалами.
- Відстань між двигуном і будівлями або іншими спорудами повинна становити щонайменше 1 метр.
- Тримайте двигун на відстані від займистих та інших небезпечних матеріалів (сміття, ганчірок, мастильних матеріалів, вибухових речовин).

Лише для європейських країн

Декларація відповідності ЄС

Ми, Makita Corporation, як відповідальний виробник, декларуємо, що такий (такі) виріб (вироби) Makita:

Найменування виробу: Мотопомпа
№ моделі/тип: EW1050H, EW1060H

Технічні характеристики: див. таблицю "ТЕХНІЧНІ ХАРАКТЕРИСТИКИ",

є продукцією серійного виробництва, що

відповідає таким європейським директивам:

2000/14/ЄС, 2006/42/ЄС, 2010/26/EU,
2004/108/ЄС, 2000/14/ЄС, 2005/88/ЄС

і виготовлена згідно з такими стандартами чи нормативними документами:

EN 809, EN 55012

Технічна документація зберігається у:

Makita International Europe Ltd., технічний відділ,
Michigan Drive, Tongwell, Milton Keynes, Bucks
MK15 8JD, England (Англія)

Процедура оцінки відповідності згідно з Директивою 2000/14/ЄС відповідає додатку V.

Вимірний рівень звукової потужності:
100,9 дБ(А)

Гарантований рівень звукової потужності:
109 дБ(А)

31.8.2012



Tomoyasu Kato
Директор
Makita Corporation
3-11-8, Sumiyoshi-cho,
Anjo, Aichi, JAPAN

ТЕХНІЧНІ ХАРАКТЕРИСТИКИ

		EW1050H	EW1060H	
Вага	кг	5,8	7,3	
Розміри	мм	327 x 231 x 319	356 x 234 x 336	
Тип		Самозаповнювана ПОМПА ЦЕНТРИФУГОВОГО ТИПУ		
Діаметри отворів (всмоктування – подача)	дюйми	1		
Повний напір	м	35	45	
Максимальний об'єм подачі	л/хв.	110	130	
Максимальна висота всмоктування	м	8	8	
Об'єм (паливний бак)	л	0,5	0,65	
Об'єм (бак для мастила)	л	0,08	0,1	
Робочий об'єм двигуна	см ³	24,5	33,5	
Максимальна потужність двигуна	кВт	0,71 за 7 000 хв ⁻¹	1,07 за 7 000 хв ⁻¹	
Карбюратор	тип	з діафрагмою		
Система запалювання	тип	Безконтактне запалювання		
Свічка запалювання	тип	NGK CMR6A		
Відстань між електродами	мм	0,7 – 0,8		
Пальне		Автомобільний бензин		
Мастило для двигуна		Мастило SAE 10W-30 за класифікацією API, клас SF або вищий (для 4-тактних автомобільних двигунів)		
Застосовна температура води	°C	5 – 40	5 – 40	
Рівень звукового тиску	L _{рА eq}	dB (A)	88,4	88,4
	Похибка K	dB (A)	3	3
Рівень акустичної потужності	L _{wA, d}	dB (A)	109	109

Примітка. Під час роботи користуйтеся засобами захисту слуху.

ПОЗНАЧЕННЯ ЧАСТИН (мал. 1 і 2)

МОНТАЖ (мал. 3)

⚠ ПОПЕРЕДЖЕННЯ!

- Перед виконанням будь-яких робіт із двигуном неодмінно зупиніть його.
- Запускайте двигун лише після завершення монтажу обладнання.

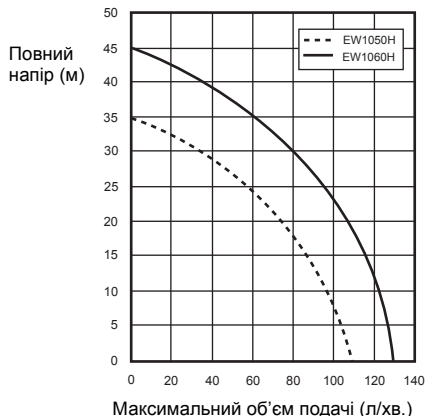
ВСТАНОВЛЕННЯ ШЛАНГУ

1. Встановіть шлангові муфти на помпу.

⚠ УВАГА!

- Перед встановленням муфти встановіть прокладку на місце.
- 2. Зафіксуйте шланги на муфтах за допомогою хомута.

Перевірте надійність затягнення хомутів.



3. Встановіть сітчастий фільтр на кінець впускного шлангу.

ПРИМІТКА.

- У випадку витoku повітря вода може не всмоктуватися.

⚠ УВАГА!

- Не знімайте сітчастий фільтр, оскільки сторонні предмети можуть пошкодити помпу. Перевірте надійність затягнення хомутів.

ПЕРЕВІРКА ПЕРЕД РОБОТОЮ

⚠ ПОПЕРЕДЖЕННЯ!

- Перед виконанням будь-яких робіт із двигуном неодмінно зупиніть його. Роботу слід завжди виконувати на рівній стійкій поверхні.
- Перш ніж запускати двигун, перевірте обладнання на наявність послаблених гвинтів або з'єднань.
- Під час огляду чи ремонту не торкайтеся гарячого двигуна та глушника навіть одягом.
- Дбайте про належну вентиляцію. Пам'ятайте про небезпеку отруєння чадним газом.

ПЕРЕВІРКА РІВНЯ МАСТИЛА ТА ЗАПРАВЛЕННЯ (мал. 4)

Описані нижче дії слід виконувати на холодному двигуні.

- Двигун має перебувати в горизонтальному положенні.

- Перевіряючи рівень мастила, не вкручуйте щуп у заливний отвір для мастила.
- Рівень мастила має бути між позначками мінімального і максимального рівня на щупі.
- Якщо рівень мастила нижче мінімального, мастило слід долити.
- Мастило потрібно доливати орієнтовно через кожні 10 годин роботи (кожна 10 заправка).
- Якщо мастило змінює колір або містить домашки бруду, його слід замінити.

Рекомендоване мастило: Мастило SAE 10W-30 за класифікацією API, клас SF або вищий (для 4-тактних автомобільних двигунів)

Об'єм мастила:

Для моделі EW1050H: близько 0,08 л

Для моделі EW1060H: близько 0,1 л

ПРИМІТКА.

- Якщо двигун не стоїть горизонтально, рівень мастила може відображатися неточно, що може стати причиною його переливання. Переливання мастила вище максимального рівня може призвести до забруднення мастила або утворення білого диму.

Доливання мастила для двигуна

1. Встановіть двигун у горизонтальне положення та вийміть щуп рівня мастила.
2. Долийте мастило до позначки максимального рівня. Для наливання використовуйте масельничку.
3. Надійно закрутіть щуп. Недостатнє затягнення може спричинити підтікання мастила.

Після доливання мастила

- Якщо мастило пролилося, негайно витріть його ганчіркою.

Заміна мастила: щуп для мастила

- Витріть пил або бруд навколо заливного отвору для мастила.

- Стежте за тим, щоб на знятий щуп не потрапив пісок або пил. Наливання піску або пилу на кришку баку або щуп для мастила може призвести до нерівномірної циркуляції мастила або зношення деталей двигуна.

ПАЛЬНЕ

⚠ ПОПЕРЕДЖЕННЯ!

- Пальне – це надзвичайно займиста та отруйна речовина. Під час роботи з паливним тримайте його на відстані від відкритого вогню (сигарети, печі, феєрверку), електричних іскор (батареї, короткого замикання, іскор від замикання в перемикачі, іскри зварювання тощо).
- Перед дозаправленням пального обов'язково зупиніть двигун. Не заправляйте пальне, поки двигун гарячий.
- Дотримуйтеся виняткової обережності не лише під час заправки, але і в інших ситуаціях, навіть під час зливання пального в меншу ємність.
- Після заправки надійно закрутіть кришку пального баку та ретельно витріть розлите пальне.

Поводження з паливним

Із паливним слід поводитися надзвичайно обережно. Пальне може містити речовини, подібні до розчинників. Заправку слід проводити у належним чином провітрюваному приміщенні або на відкритому повітрі. Категорично заборонено вдихати випари бензину; завжди тримайте його на відстані. Частий або тривалий контакт пального зі шкірою викликає сухість і може викликати шкірні захворювання або алергію. У разі потраплення пального в очі промийте їх чистою водою. Якщо подразнення в очі не минає, слід звернутися до лікаря.

Термін зберігання пального

Пальне слід використати протягом 4 тижнів навіть за умови його зберігання в спеціальному контейнері у добре провітрюваному та захищеному від світла місці.

В іншому разі пальне може зіпсуватися за один день.

Зберігання виробу та баку з паливним

- Зберігайте виріб і бак для заправки у прохолодному місці, захищеному від прямих сонячних променів.
- Категорично заборонено зберігати пальне в автомобілі.

Тип пального:

Двигун мотопомпи чотирьохтактний. Для нього слід використовувати лише автомобільний бензин, що не містить свинцю, з октановим числом 87 або вищим ((R+M)/2). Бензин може містити не більше 10% спирту (E-10).

- Категорично заборонено використовувати бензинову суміш, яка містить мастило для двигуна. Це може спричинити надмірне накопичення сажі або механічні пошкодження.

Місткість пального баку:

Для моделі EW1050H: 0,5 л

Для моделі EW1060H: 0,65 л

Заправка (мал. 5)

1. Встановіть двигун в горизонтальне положення.
2. Злегка відкрутіть кришку пального баку, щоб спустити тиск.
3. Зніміть кришку пального баку та долийте пальне. НЕ доливайте пальне до верху баку.

4. Після заправки щільно закрутіть кришку паливного баку.
- Витріть кришку паливного баку ззовні, щоб уникнути потрапляння бруду в бак.
- Якщо кришка паливного баку має дефект або пошкодження, її слід замінити.
- Із часом кришка паливного баку зношується. Її слід замінювати кожні два-три роки.
- НЕ наливайте пальне в заливний отвір для мастила.

Заливання води (мал. 6)

⚠ УВАГА!

- Не запускайте виріб, якщо в корпусі помпи немає води. Це може спричинити пошкодження механічного ущільнення.

Зніміть заливну пробку і наповніть корпус помпи чистою водою до верху. Після цього закрутіть заливну пробку.

ПРИМІТКА.

- Якщо забір води буде недостатнім, здатність самозаповнення помпи знизиться.
- Помпу слід розташовувати на твердій поверхні та якомога ближче до джерела води.
- Що більша висота підйому води на всмоктуванні, то більше часу знадобиться для заповнення, подача в цьому випадку зменшиться.

ПЕРЕВІРКА ДВИГУНА:

- Ретельно огляньте паливні шланги та з'єднання на предмет послаблення та витікання пального. Витік пального створює потенційно небезпечну ситуацію.
- Перевірте затяжку гвинтів і гайок. У разі потреби затягніть їх. Незатягнутий гвинт або гайка можуть спричинити серйозні uszkodження двигуна.
- Перевірте рівень мастила та долийте його в разі потреби.
- Перевірте рівень пального та долийте його в разі потреби. Стежте за тим, щоб не переповнити бак.
- Охолоджувальні ребра циліндра та шнуровий стартер слід тримати в чистоті (без бруду, трави та інших часток).
- Під час роботи з двигуном одягайте щільно прилягаючий робочий одяг.

ЕКСПЛУАТАЦІЯ

⚠ ПОПЕРЕДЖЕННЯ!

- Категорично заборонено торкатися глушника гарячого двигуна, особливо під час повторного запуску двигуна. Під час роботи двигуна глушник нагрівається.
- Під час користування помпою не підставляйте руки або інші предмети під випускні клапани.

⚠ ПОПЕРЕДЖЕННЯ!

Пам'ятайте про гідравлічний удар.

- Стежте за тим, щоб по шлангу подачі не їздили автомобілі. Не закривайте різко клапан подачі, оскільки внаслідок цього виникне гідравлічний удар, який може серйозно пошкодити помпу.

Запуск:

⚠ УВАГА!

- Не збільшуйте оберти двигуна відразу після запуску, оскільки на цей момент мастило ще недостатньо

розподілене. Робота на надто високих обертах скорочує термін експлуатації обладнання та може спричинити пошкодження.

1. Перевірте, чи корпус помпи заповнений водою.
2. Сітчастий фільтр повинен бути покритий водою.

⚠ УВАГА!

- Коли дно резервуара з водою вкрите мулом або піском, вживайте додаткових захисних заходів.

3. Перевірте, чи не заблоковано випускний отвір шлангу подачі.
4. Встановіть перемикач двигуна I-O (увімк./вимк.) в положення "I" (увімк.).
5. Важіль регулятора подачі пального має бути в положенні "L". (мал. 7)
6. Натискайте паливну помпу, поки в неї не потрапить пальне. (Переважно потрібно від 7 до 10 натисень.)
7. Відрегулюйте важіль дроселювання.
 - Якщо двигун холодний або температура повітря низька, важіль дроселювання слід повністю закрити. (мал. 8)
 - Якщо двигун теплий або температура повітря висока, відкрийте важіль дроселювання наполовину або повністю.
8. Злегка потягніть ручку стартера, доки не відчуєте опір. Після цього поверніть ручку стартера на місце і сильно потягніть її. Ніколи не витягуйте шнур на всю довжину. Потягнувши за ручку стартера, не відпускайте її відразу. Тримайте ручку, поки вона не повернеться в початкове положення. Якщо запустити двигун виявляється важко, відкрийте дросель на 1/3.
9. Після запуску двигуна встановіть важіль дроселювання у положення ВІДКРИТО, якщо він був закритий. (мал. 9)
10. Двигун слід належно "прогріти". Прогрівання в положенні "L" має тривати 2-3 хвилини.

Працюючий двигун:

Поверніть важіль регулятора подачі пального в середнє положення і перевірте, чи зі шланга подачі виходить вода.

Завершення роботи

Зупинка двигуна

Встановіть важіль регулятора подачі пального в положення "L", щоб зменшити оберти двигуна.

Встановіть перемикач двигуна I-O (увімк./вимк.) у положення "O" (вимк.).

Злийте воду після закінчення роботи

Взимку за температури 0°C вода в корпусі помпи замерзає та може розірвати корпус помпи. Після закінчення роботи повністю злийте воду через зливний отвір вниз.

ВКАЗІВКИ ЩОДО ОБСЛУГОВУВАННЯ

⚠ ПОПЕРЕДЖЕННЯ!

- Перед виконанням будь-яких робіт із двигуном неодмінно зупиніть його. Не виконуйте жодних робіт, поки двигун не охолоне.

⚠ УВАГА!

- Не мийте двигун водою під час обслуговування.

ЗАМІНА МАСТИЛА У ДВИГУНІ

⚠ ПОПЕРЕДЖЕННЯ!

- Після зупинки двигуна сам двигун і мастило в ньому залишаються гарячими. Слід достатньо почекати, щоб двигун і мастило охололи. В іншому разі є ризик опіків шкіри.

⚠ УВАГА!

- Перед заміною мастила підготуйтеся до належної утилізації старого мастила. Не зливайте його в каналізацію, на землю або у відкриті річки. Місцеві нормативні положення про захист довкілля містять більше докладної інформації про належну утилізацію.

Відпрацьоване мастило скорочує термін роботи двигуна. Пам'ятайте про необхідність регулярно перевіряти стан і рівень мастила.

ПРИМІТКА.

- Якщо долити мастило вище максимального рівня, це може призвести до його забруднення або згоряння з білим димом. Щоб точно визначити рівень мастила, почекайте певний час після зупинки двигуна, щоб мастило стекло в бак.

Інтервал заміни: Після перших 20 годин роботи, потім через кожні 50 годин роботи.

Рекомендоване мастило: Мастило SAE 10W-30 за класифікацією API, клас SF або вищий (для 4-тактних автомобільних двигунів)

Об'єм мастила:

Для моделі EW1050H: близько 0,08 л

Для моделі EW1060H: близько 0,1 л

1. Вийміть щуп для мастила. (мал. 10)
Покладіть щуп у місце, де на нього не потрапить бруд, пил або інші сторонні предмети.
2. Обгорніть наливний отвір для мастила ганчіркою або паперовим рушником.
3. Вийнявши щуп, нахиліть двигун і злийте мастило в каструлю або іншу ємність.
4. Встановіть обладнання на рівну поверхню. Налийте мастило із гнучкої пляшки або іншої зручної ємності. Мастило слід наливати до точки перетікання через горловину заливного отвору. (мал. 4)
5. Заповнивши двигун мастилом, вставте щуп. Надійно закрутіть щуп, оскільки в іншому разі мастило витікатиме.

ПЕРЕВІРКА СВІЧКИ ЗАПАЛЮВАННЯ (мал. 11)

⚠ УВАГА!

- Категорично заборонено торкатися дроту свічки запалювання, коли двигун працює (небезпека ураження електричним струмом високої напруги).

Інтервал чищення та огляду: Щодня (кожні 10 годин роботи)

- Для знімання та встановлення свічок запалювання користуйтеся лише універсальним ключем, який входить до комплекту.
- Відстань між двома електродами свічки запалювання повинна становити 0,7 – 0,8 мм. Якщо ця відстань більша або менша, відрегулюйте її. Якщо свічка запалювання забилася або забруднена, ретельно очистіть або замініть її.

ОЧИЩЕННЯ ПОВІТРЯНОГО ФІЛЬТРА (мал. 12)

⚠ ПОПЕРЕДЖЕННЯ!

- Вимкніть двигун. Тримайте обладнання на відстані від відкритого вогню.
Забруднений повітряний фільтр спричиняє труднощі з запуском, втрату потужності, несправності в роботі двигуна і суттєво скорочує термін його експлуатації. Стежте за чистотою повітряного фільтра.

Інтервал чищення та огляду: Щодня (кожні 10 годин роботи)

1. Повністю закрийте важіль дроселювання, щоб уникнути потрапляння пилу та бруду в карбюратор.
2. Зніміть затискний болт на кришці повітряного фільтра.
3. Щоб зняти кришку повітряного фільтра, потягніть за її нижній край.
4. Вийміть фільтр, промийте його у воді з додаванням м'якого миючого засобу, після чого ретельно висушіть.
5. Встановіть його, дотримуючись контуру, зображеного на малюнку.
6. Витріть ганчіркою мастило, яке могло налипнути навколо кришки повітряного фільтра та сапуна.
7. Після очищення встановіть кришку фільтра на місце (спочатку встановіть верхній край, потім нижній), після чого закрутіть затискний болт.

ОЧИЩЕННЯ ПАЛИВНОГО ФІЛЬТРА

⚠ ПОПЕРЕДЖЕННЯ!

- Вимкніть двигун. Тримайте обладнання на відстані від відкритого вогню. Не куріть.

Інтервал чищення та огляду: Щомісяця (кожні 50 годин роботи)

Паливний фільтр використовується для фільтрування пального, яке потрапляє в карбюратор. Слід періодично оглядати паливний фільтр.

1. Відкрийте кришку паливного баку і через отвір у баку вийміть голівку всмоктування за допомогою дротяного гака.
2. Зніміть затискач шланга і вийміть паливний фільтр із бензопроводу.
3. Промийте паливний фільтр гасом.
4. Після промивання встановіть його на місце.
5. Якщо фільтр затвердів або забився, замініть його на новий.

Щоб забезпечити подачу достатньої кількості пального в карбюратор, паливний фільтр слід замінювати принаймні кожні три місяці. Якщо цього не робити, недостатня подача пального може спричинити проблеми з запуском двигуна та обмежити максимальну швидкість.

Після перевірки, очищення або заміни встановіть паливний фільтр на бензопровід із затискачем шлангу.

Простовхніть паливний фільтр до самого дна паливного баку. (мал. 13)

ЗАМІНА БЕНЗОПРОВОДУ (мал. 14)

⚠ ПОПЕРЕДЖЕННЯ!

- Вимкніть двигун. Тримайте обладнання на відстані від відкритого вогню.

Інтервал чищення та огляду: Щодня (кожні 10 годин роботи)

Заміна: Щороку (кожні 200 годин роботи)

Незалежно від частоти роботи бензопровід слід замінити щороку. Витікання пального може призвести до виникнення пожежі.

Якщо під час огляду виявлено витікання, бензопровід слід негайно замінити.

ПЕРЕВІРКА БОЛТІВ, ГАЙОК І ГВИНТІВ

– Дотягніть всі послаблені болти, гайки та гвинти.

– Перевірте герметичність кришок паливного та мастильного баків. Огляньте помпу на предмет витікання пального та мастила.

– З метою забезпечення безпечних умов роботи замініть пошкоджені частини.

ЧИЩЕННЯ ЧАСТИН

– Двигун слід тримати в чистоті та витирати його ганчірками.

– На охолоджувальних ребрах циліндра не повинно бути пилу чи бруду. Наліпання пилу або бруду на ребра може призвести до заклинювання поршня.

Таблиця графіку періодичного технічного обслуговування

Елемент	Час роботи	Перед	Щодня	50 год.	200 год.	Перед
		роботою	(10 год.)			зберіганням
Мастило	Оглянути/долити	○				
	Замінити			○*1		
Затягування з'єднань (болтів, гайок)	Оглянути	○				
Паливний бак	Очистити/оглянути	○				
	Злити пальне					○
Важіль регулятора подачі пального	Перевірити справність	○				
Вимикач I-O (увімк./вимк.)	Перевірити справність	○				
Повітряний фільтр	Очистити		○			
Свічка запалювання	Оглянути		○			
	Очистити/відрегулювати				○	
Канал повітряного охолодження та охолоджувальні ребра циліндра	Очистити/оглянути		○			
Бензопровід	Оглянути		○			
	Замінити				◎*2	
Паливний фільтр	Очистити/замінити			○		
Люфт клапана (впускний клапан і випускний клапан)	Оглянути/відрегулювати				◎*2	
У разі потреби капітальний ремонт двигуна					◎*2	
Карбюратор	Злити пальне					○
Помпа	Очистити		○			
Сітчастий фільтр	Оглянути/очистити	○				

*1 Першу заміну слід провести через 20 годин роботи.

Перед заміною мастила підготуйтеся до належної утилізації старого мастила. Не зливайте його в каналізацію, на землю або у відкриті річки. Місцеві нормативні положення про захист довкілля містять більше докладної інформації про належну утилізацію.

*2 Для проведення огляду через 200 годин роботи зверніться до уповноваженого центру обслуговування.

ЗБЕРІГАННЯ

⚠ ПОПЕРЕДЖЕННЯ!

- Перш ніж зливати пальне, обов'язково вимкніть двигун і переконайтеся, що він охолов. Відразу після зупинки двигун може бути гарячим і може спричинити опіки, займання або пожежу.

⚠ УВАГА!

- Якщо обладнання тривалий час не використовуватиметься, пальне слід повністю злити з паливного баку та зберігати його в сухому й чистому місці.

Перед зберіганням

1. Ретельно витріть воду на зливному отворі.

2. Злегка потягніть ручку шнурового стартера на двигуні, доки не відчуете опору.
3. Зливши пальне з баку, натискайте паливну помпу, поки пальне не витече з бензопроводу. Злийте пальне з помпи ще раз.
4. Встановіть важіль регулювання подачі пального в положення "L".
5. Витріть бруд та пил.
6. Зберігайте помпу в сухому теплом місці, де немає умов для замерзання.

Перенесення

Піднімаючи чи переносючи виріб, міцно тримайте його за ручку обома руками.

УСУНЕННЯ НЕСПРАВНОСТЕЙ

Перш ніж звертатися до спеціалістів з питань ремонту, перевірте проблему самостійно. У випадку виникнення незвичайних явищ дійте згідно із вказівками у цій інструкції. Категорично заборонено розбирати чи знімати будь-які частини, якщо це не передбачено інструкцією. Для проведення ремонту звертайтеся в уповноважений сервісний центр.

Проблема	Причина	Спосіб усунення
Двигун не запускається	Не була задіяна паливна помпа.	Натисніть на неї 7 – 10 разів.
	Низька швидкість протягування шнура стартера.	Потягніть сильно.
	Нестача пального.	Долейте пальне.
	Забруднений паливний фільтр.	Очистіть його.
	Від'єднався бензопровід.	Під'єднайте бензопровід належним чином.
	Бензопровід перегнувся.	Випряміть бензопровід.
	Забруднене або старе пальне.	Забруднене або старе пальне ускладнює запуск. Залийте свіже пальне. (Рекомендована частота заміни: щомісяця)
	Надмірне всмоктування пального.	Встановіть важіль регулятора подачі пального у середнє положення чи положення "Н", після чого тягніть за ручку стартера, поки двигун не запуститься. Якщо двигун все ще не запускається, змініть свічку запалювання, почистіть електрод і зберіть все у початковому вигляді. Потім запустіть двигун згідно з інструкцією.
	Відійшла кришка свічки.	Закріпіть її на місце.
	Забруднилася свічка запалювання.	Очистіть її.
	Невідповідна відстань між контактами свічки запалювання.	Відрегулюйте відстань.
	Інші несправності свічки запалювання.	Замініть її.
	Незвичайні явища в роботі карбюратора.	Зверніться для проведення огляду та технічного обслуговування.
Не вдається потягнути за шнур стартера.	Зверніться для проведення огляду та технічного обслуговування.	
Несправність системи приводу.	Зверніться для проведення огляду та технічного обслуговування.	

Двигун швидко зупиняється Швидкість двигуна не зростає	Недостатньо прогрітий двигун.	Прогрійте двигун.
	Важіль дроселювання стоїть в положенні "CLOSE", хоча двигун розігрітий.	Встановіть важіль у положення "OPEN".
	Забруднений паливний фільтр.	Очистіть його.
	Забруднений або забитий повітряний фільтр.	Очистіть його.
	Незвичайні явища в роботі карбюратора.	Зверніться для проведення огляду та технічного обслуговування.
	Несправність системи приводу.	Зверніться для проведення огляду та технічного обслуговування.
Помпа не працює.	Блокування лопатей.	Зверніться до місцевого уповноваженого сервісного центру Makita для проведення ремонту.
Низький об'єм закачування.	З боку всмоктування потрапляє повітря.	Перевірте трубки з боку всмоктування.
	Зменшується потужність двигуна.	Зверніться до місцевого уповноваженого сервісного центру Makita для проведення ремонту.
	Розрив механічного ущільнення.	Замініть прокладку.
	Велика висота всмоктування.	Зменшіть висоту всмоктування.
	Тонкий, довгий або зігнутий шланг.	Збільште діаметр шланга, вкоротіть або випряміть його.
	Витікання води з водяного каналу.	Усуньте витікання.
	Забивання лопатей сторонніми предметами.	Зверніться до місцевого уповноваженого сервісного центру Makita для проведення ремонту.
	Зношеність лопатей.	Зверніться до місцевого уповноваженого сервісного центру Makita для проведення ремонту.
Помпа не заповнюється.	З боку всмоктування потрапляє повітря.	Перевірте трубки з боку всмоктування.
	Недостатньо води в корпусі помпи.	Заповніть корпус водою.
	Недостатньо затягнутий дренажний кран.	Повністю затягніть 2 пробки.
	Нерівномірні оберти двигуна.	Зверніться до місцевого уповноваженого сервісного центру Makita для проведення ремонту.
	Повітря потрапляє через механічне ущільнення.	Замініть прокладку.

Objaśnienia do widoku ogólnego

1	Korek zalewowy	14	Dźwignia ssania	27	Króciec ssawny
2	Króciec tłoczny	15	Uchwyt rozrusznika	28	Sitko
3	Króciec ssawny	16	Rozrusznik mechaniczny	29	Wąż (wypożyczenie dodatkowe)
4	Korek spustowy	17	Wskaźnik poziomu oleju	30	Wskaźnik poziomu oleju
5	Kadłub pompy	18	Podstawa	31	Górny poziom
6	Uchwyt	19	Dźwignia przepustnicy	32	Dolny poziom
7	Pokrywa świecy zapłonowej	20	Uszczelka	33	Korek wlewu paliwa
8	Filtr powietrza	21	Złączka węża	34	Górny poziom
9	Korek wlewu paliwa	22	Nakrętka skrzydełkowa	35	Zbiornik paliwa
10	Zbiornik paliwa	23	Opaska na wąż	36	Przewód paliwowy
11	Pompka zastrzykowa	24	Wąż		
12	Przełącznik I-O (wł/wył)	25	Korek zalewowy		
13	Tłumik	26	Króciec tłoczny		

Dziękujemy za zakup spalinowej pompy wodnej MAKITA. Z przyjemnością polecamy Państwu spalinową pompę wodną MAKITA, będącą owocem długiego programu rozwoju oraz wieloletniej wiedzy i doświadczenia.

Proszę uważnie przeczytać niniejszą broszurę, która w szczegółowy sposób opisuje funkcje urządzenia i jego doskonałe parametry techniczne. Umożliwi ona Państwu optymalne wykorzystanie spalinowej pompy wodnej MAKITA.

SYMBOLE

W niniejszej instrukcji obsługi można znaleźć następujące symbole.



Należy przeczytać instrukcję obsługi i postępować zgodnie z ostrzeżeniami i zasadami bezpieczeństwa.



Należy zachować szczególną ostrożność.



Nie wolno użytkować silnika w pomieszczeniach.



Nie wolno dotykać silnika, gdy jest gorący.



Nie używać otwartego płomienia!



Przed przystąpieniem do pracy należy sprawdzić poziom oleju.



Znak CE

⚠ BACZNOŚĆ:

• PRZED URUCHOMIENIEM URZĄDZENIA NALEŻY PRZECZYTAĆ NINIEJSZĄ INSTRUKCJĘ W CAŁOŚCI I ZE ZROZUMIENIEM.

Następujące symbole ⚠ oznaczają istotne informacje dotyczące bezpieczeństwa. Należy zawsze przestrzegać tych instrukcji. Nieprawidłowe korzystanie z urządzenia może być przyczyną groźnych wypadków.

⚠ NIEBEZPIECZEŃSTWO: Nieprzestrzeżenie instrukcji może być przyczyną śmierci lub poważnych obrażeń.

⚠ BACZNOŚĆ: Nieprzestrzeżenie tych instrukcji może być przyczyną poważnych obrażeń lub śmierci operatora urządzenia, osoby postronnej lub osoby sprawdzającej lub naprawiającej urządzenie.

⚠ OSTROŻNIE: Symbol ten oznacza specjalne środki ostrożności, które należy podjąć, aby uniknąć wypadków groźących obrażeniami lub uszkodzeniem urządzenia.

UWAGA: Symbol ten oznacza istotne informacje, które ułatwiają lub dokładnie wyjaśniają procedury robocze.

ZASADY BEZPIECZEŃSTWA

- Niniejsza instrukcja wyjaśnia zasady ogólnego postępowania i środki ostrożności związane z urządzeniem. Przed rozpoczęciem użytkowania urządzenia należy uważnie przeczytać niniejszą instrukcję. Należy również ściśle przestrzegać przepisów związanych z bezpieczeństwem.
- Instrukcję należy zachować w bezpiecznym miejscu do wykorzystania w przyszłości. W przypadku, gdy niniejsza instrukcja zostanie zagubiona lub zniszczona, należy natychmiast zwrócić się do autoryzowanego punktu serwisowego Makita o jej zastąpienie.
- W przypadku użyczenia lub przekazywania urządzenia innym osobom, należy zawsze dołączyć do niego instrukcję obsługi i inne materiały informacyjne.
- Ze względu na ciągle prowadzone prace badawczo-rozwojowe, podane dane techniczne urządzenia mogą ulec zmianie bez uprzedniego powiadomienia. Rysunki lub treść niniejszej instrukcji mogą nie odpowiadać rzeczywistości urządzenia.

- Aby uzyskać więcej informacji, należy zwrócić się do lokalnego przedstawiciela lub autoryzowanego punktu serwisowego Makita.

Przeznaczenie urządzenia

Urządzenie to służy wyłącznie do podlewania i nawadniania.

Urządzenie jest przeznaczone tylko do pompowania czystej wody.

⚠ NIEBEZPIECZEŃSTWO:

- Nie wolno wprowadzać modyfikacji lub przeróbek urządzenia.
- Nie wolno używać urządzenia do celów niezgodnych z przeznaczeniem.
- Do konserwacji i napraw należy stosować wyłącznie oryginalne części zamienne.
- Nieprzestrzeganie powyższych ostrzeżeń może być przyczyną poważnego uszkodzenia urządzenia lub wypadków grozących obrażeniami.

ŚRODKI OSTROŻNOŚCI ZWIĄZANE Z UKŁADEM WYDECHOWYM

- Nie wolno wdychać gazów wydechowych. Zawierają one tlenek węgla, bezbarwny, bezwonny i bardzo niebezpieczny gaz, który może spowodować utratę przytomności lub śmierć.
- Nie wolno używać silnika w pomieszczeniach lub w obszarach o słabej wentylacji, np. tunelach, jaskiniach, itp.
- Należy zachować najwyższą ostrożność, używając silnika w pobliżu ludzi lub zwierząt.
- Należy uważać, aby ciała obce nie dostały się do rury wydechowej.

ŚRODKI OSTROŻNOŚCI PODCZAS UZUPEŁNIANIA PALIWA

- Przed uzupełnieniem paliwa należy wyłączyć silnik.
- Nie wolno przepelniać zbiornika paliwa.
- Jeśli paliwo zostanie rozlane, należy je ostrożnie wytrzeć i przed uruchomieniem silnika poczekać, aż wyschnie.
- Po uzupełnieniu paliwa sprawdzić, czy korek wlewu paliwa został prawidłowo umocowany, aby zapobiec rozlaniu paliwa.

OCHRONA PRZECIWOŻAROWA

- Nie palić podczas obsługi urządzenia i nie zbliżać się do otwartego płomienia.
- Nie używać urządzenia w pobliżu suchej ściółki, gałązek, szmat lub innych łatwopalnych materiałów.
- Silnik musi znajdować się w odległości co najmniej 1 metra od budynków lub innych konstrukcji.
- Silnik musi znajdować się z dala od materiałów łatwopalnych i niebezpiecznych (śmieci, szmaty, smary, materiały wybuchowe).

Dotyczy tylko krajów europejskich

Deklaracja zgodności CE

Niniejszym firma Makita Corporation, jako odpowiedzialny producent, oświadcza, że opisywane urządzenie marki Makita:

Oznaczenie urządzenia: Spalinowa Pompa Wodna
Nr modelu/typ: EW1050H, EW1060H
Dane techniczne: patrz tabela "DANE TECHNICZNE"

są produkowane seryjnie oraz

spełniają następujące dyrektywy europejskie:

2000/14/EC, 2006/42/EC, 2010/26/EU,
2004/108/EC, 2000/14/EC, 2005/88/EC

I są produkowane zgodnie z następującymi normami lub dokumentami normalizacyjnymi:

EN 809, EN 55012

Dokumentacja techniczna przechowywana jest przez:

Makita International Europe Ltd., Dział Techniczny,
Michigan Drive, Tongwell, Milton Keynes, Bucks
MK15 8JD, Anglia

Procedura oceny zgodności wymagana przez Dyrektywę 2000/14/EC została przeprowadzona zgodnie z Załącznikiem V.

Mierzony poziom mocy akustycznej: 100,9 dB(A)

Gwarantowany poziom mocy akustycznej:
109 dB(A)

31.8.2012

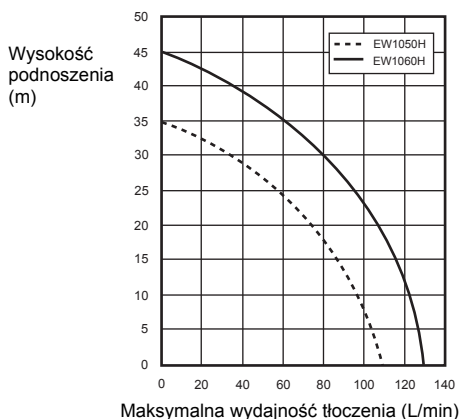


Tomoyasu Kato
Dyrektor
Makita Corporation
3-11-8, Sumiyoshi-cho,
Anjo, Aichi, JAPAN

DANE TECHNICZNE

		EW1050H	EW1060H	
Masa	kg	5,8	7,3	
Wymiary	mm	327 x 231 x 319	356 x 234 x 336	
Typ		Samozasysająca POMPA ODŚRODKOWA		
Średnice (ssanie-tłoczenie)	cal	1		
Wysokość podnoszenia	m	35	45	
Maksymalna wydajność tłoczenia	L/min	110	130	
Maksymalna wysokość ssania	m	8	8	
Pojemność (zbiornik paliwa)	L	0,5	0,65	
Pojemność (zbiornik oleju)	L	0,08	0,1	
Pojemność skokowa silnika	cm ³	24,5	33,5	
Maksymalna moc silnika	kW	0,71 przy 7 000 min ⁻¹	1,07 przy 7 000 min ⁻¹	
Gaźnik	typ	Membranowy		
System zapłonu	typ	Zapłon bezrozdzielaczy		
Świeca zapłonowa	typ	NGK CMR6A		
Przerwa iskrowa świecy zapłonowej	mm	0,7 – 0,8		
Paliwo		Benzyna samochodowa		
Olej silnikowy		SAE 10W-30, klasyfikacja API, klasa SF lub wyższa (olej do czterosuwowych silników samochodowych)		
Odpowiednia temperatura wody	°C	5 – 40	5 – 40	
Poziom ciśnienia dźwięku	L _{pA eq}	dB (A)	88,4	88,4
	Niepewność K	dB (A)	3	3
Poziom głośności	L _{WA, d}	dB (A)	109	109

Uwaga: Należy nosić środki ochrony słuchu podczas obsługi urządzenia.



OZNACZENIA CZĘŚCI (rys.1 i 2)

BUDOWA (rys. 3)

⚠ BACZNOŚĆ:

- Przed przystąpieniem do jakichkolwiek prac przy urządzeniu należy zatrzymać silnik.
- Urządzenie wolno uruchomić dopiero po całkowitym zmontowaniu wszystkich elementów.

MONTAŻ WĘŻA

1. Zamontować złączki węża na pompie.

⚠ OSTROŻNIE:

- Przy montażu złączki na pompie należy sprawdzić, czy uszczelka jest na swoim miejscu.
2. Przymocować wężę na złączkach przy pomocy opasek.

Sprawdzić, czy opaski są dobrze przymocowane.

3. Założyć sitko na końcu wlotowym węża.

UWAGA:

- Jeśli w wyniku nieszczelności przedostaje się powietrze, nie będzie można zassać wody.

⚠ OSTROŻNIE:

- Nie zdejmować sitka, gdyż może to doprowadzić do uszkodzenia pompy przez zanieczyszczenia.
- Sprawdzić, czy opaski są dobrze przymocowane.

SPRAWDZENIE PRZED URUCHOMIENIEM

⚠ BACZNOŚĆ:

- Przed przystąpieniem do jakichkolwiek prac przy urządzeniu należy zatrzymać silnik. Prace należy wykonywać na płaskiej i stabilnej powierzchni.
- Przed uruchomieniem silnika sprawdzić, czy śruby lub połączenia nie są poluzowane.
- Podczas kontroli lub napraw należy uważać, aby nie dotknąć części ciała lub ubrania silnika i tłumika, gdy są one jeszcze gorące.
- Należy zwrócić szczególną uwagę na wentylację. Należy pamiętać o zagrożeniu tlenkiem węgla.

KONTROLA I UZUPEŁNIENIE OLEJU SILNIKOWEGO (rys. 4)

Gdy silnik ostygnie, wykonać następującą procedurę.

- Upewnić się, że silnik umieszczony jest poziomo.
- Przy sprawdzaniu poziomu oleju nie należy wkręcać wskaźnika w gwint.
- Sprawdzić, czy poziom oleju wypada pomiędzy dolnym i górnym oznaczeniem na wskaźniku poziomu oleju.
- Jeśli poziom oleju spadnie poniżej dolnego oznaczenia, uzupełnić olej.
- Poziom oleju może wymagać uzupełniania mniej więcej co 10 godzin pracy (co 10 uzupełnienie paliwa).
- Jeżeli olej zmienił kolor lub jest zmieszany z zanieczyszczeniami, należy go wymienić.

Zalecany olej: SAE 10W-30, klasyfikacja API, klasa SF lub wyższa (olej do czterosurowych silników samochodowych)

Objętość oleju:

model EW1050H: ok. 0,08 L

model EW1060H: ok. 0,1 L

UWAGA:

- Jeśli silnik nie jest umieszczony poziomo, wskaźniki poziomu oleju może być nieprawidłowy, co może doprowadzić do przekroczenia poziomu maksymalnego przy jego uzupełnianiu. Przekroczenie górnego oznaczenia może spowodować zanieczyszczenie oleju lub wydzielanie białego dymu.

Uzupełnianie oleju silnikowego

1. Ustawić silnik w położeniu poziomym i odkręcić wskaźnik poziomu oleju.
2. Napełnić olejem do górnego oznaczenia poziomu. Do napełniania należy użyć butelki z olejem.
3. Mocno dokręcić wskaźnik poziomu oleju. Zbyt słabe dokręcenie może spowodować wyciek oleju.

Po uzupełnieniu poziomu oleju

- Natychmiast wytrzeć rozlany olej szmatką.

Wymiana oleju: “Wskaźnik poziomu oleju”

- Usunąć kurz lub brud nagromadzony wokół otworu wlewu oleju.
- Chronić odkręcony wskaźnik poziomu oleju przed zanieczyszczeniem piaskiem lub kurzem. W przeciwnym wypadku piasek lub kurz na wskaźniku może spowodować nieprawidłowy obieg oleju lub zużycie części silnika.

PALIWO

⚠ BACZNOŚĆ:

- Paliwo jest bardzo łatwopalne i trujące. Podczas wszelkich czynności z paliwem należy unikać otwartego płomienia (papieros, piec, ogień sztuczny), iskier elektrycznych (akumulator, zwarcie, iskra na przełączniku, spawanie, itp.).
- Przed uzupełnieniem paliwa należy wyłączyć silnik. Nie wolno uzupełniać paliwa, gdy silnik jest jeszcze gorący.
- W sytuacjach innych niż uzupełnianie paliwa, nawet przy przelewaniu paliwa do małego pojemnika, należy również zachować najwyższą ostrożność.
- Po uzupełnieniu paliwa mocno dokręcić korek zbiornika paliwa i dokładnie wytrzeć rozlane paliwo.

Postępowanie z paliwem

Obchodzić się z paliwem z zachowaniem najwyższej ostrożności. Paliwo może zawierać substancje podobne do rozpuszczalników. Paliwo należy uzupełniać wyłącznie w dobrze wietrzonych pomieszczeniach lub na świeżym powietrzu. Nigdy nie wdychać oparów paliwa i trzymać je jak najdalej od siebie. Wielokrotny lub długotrwały kontakt skóry z paliwem powoduje jej wysuszenie i może doprowadzić do choroby skórnej lub alergii. W przypadku dostania się paliwa do oczu należy je obficie przemyć czystą wodą. Jeżeli oczy są nadal podrażnione, natychmiast zasięgnąć porady lekarskiej.

Okres przechowywania paliwa

Paliwo należy zużyć w ciągu 4 tygodni, nawet jeżeli jest ono przechowywane w specjalnym kanistrze, w dobrze wietrzonym i zacienionym miejscu.

W przeciwnym wypadku jakość paliwa może ulec pogorszeniu w ciągu jednego dnia.

Przechowywanie urządzenia i kanistra na paliwo

- Urządzenie oraz kanister na paliwo należy przechowywać w chłodnym miejscu, z dala od bezpośredniego promieniowania słonecznego.
- Nie przechowywać paliwa w samochodzie.

Rodzaj paliwa:

W urządzeniu zainstalowany jest silnik czterosurowy. Należy używać benzyny samochodowej o liczbie oktanowej 87 lub wyższej ((R+M)/2). Może ona zawierać nie więcej niż 10% alkoholu (E-10).

- Nigdy nie używać mieszanki paliwa zawierającej olej silnikowy. W przeciwnym wypadku doszłoby do nadmiernego gromadzenia się węgla lub usterek mechanicznych.

Pojemność zbiornika paliwa:

model EW1050H: 0,5 L

model EW1060H: 0,65 L

Uzupełnianie paliwa (rys. 5)

1. Ustawić silnik w położeniu poziomym.
2. Odkręcić nieco korek zbiornika paliwa, aby zredukować ciśnienie w zbiorniku.
3. Odkręcić korek zbiornika paliwa i uzupełnić poziom paliwa. NIE WOLNO nalewać paliwa do pełna.

4. Po uzupełnieniu starannie dokręcić korek zbiornika paliwa.
 - Wytrzeć powierzchnię wokół korka zbiornika paliwa, aby zapobiec przedostaniu się zanieczyszczeń do zbiornika paliwa.
 - W razie pęknięcia lub uszkodzenia korka zbiornika paliwa należy go wymienić.
 - Korek zbiornika paliwa z czasem się zużywa. Należy go wymieniać co dwa, trzy lata.
 - NIE WOLNO wlewać paliwa do otworu wlewu oleju.

Zalanie pompy (rys. 6)

⚠️ OSTROŻNIE:

- Nie włączać pompy bez wody w kadłubie. W przeciwnym wypadku uszkodzeniu może ulec uszczelnienie mechaniczne.

Odkręcić korek zalewowy i dodać czystej wody, aż do wypełnienia kadłuba pompy. Po napełnieniu zakręcić korek zalewowy.

UWAGA:

- Jeśli pobór wody jest niewystarczający, funkcja samozasysania będzie mniej skuteczna.
- Należy się upewnić, że pompa umieszczona jest na stabilnym podłożu i że znajduje się tak blisko źródła wody, jak to możliwe.
- Im wyższa wysokość ssania, tym więcej czasu będzie wymagało zalanie i tym mniejsze będzie tłoczenie.

KONTROLA SILNIKA:

- Dokładnie sprawdzić, czy przewody paliwowe i złączki nie są poluzowane i czy nie wycieka z nich paliwo. Wyciek paliwa może stanowić zagrożenie.
- Sprawdzić, czy śruby i nakrętki są dokręcone. W przypadku luzów dokręcić je. Poluzowana śruba czy nakrętka mogą spowodować poważną awarię silnika.
- Sprawdzić poziom oleju w silniku i w razie potrzeby uzupełnić go.
- Sprawdzić poziom paliwa i w razie potrzeby uzupełnić je. Należy uważać, aby nie przepelnić zbiornika.
- Należy dbać o czystość żeberek cylindra i rozrusznika mechanicznego.
- Podczas użytkowania silnika należy nosić dopasowane ubranie robocze.

EKSPLOATACJA

⚠️ BACZNOŚĆ:

- Nie wolno dotykać gorącego tłumika silnika, zwłaszcza podczas jego ponownego uruchamiania. Gdy silnik pracuje, tłumik staje się bardzo gorący.
- Nie wkładać dłoni lub przedmiotów w zawory wylotowe, gdy pompa pracuje.

⚠️ BACZNOŚĆ:

Należy uważać na efekt młota wodnego

- Należy uważać, aby koło pojazdu nie przejechało po wężu tłocznym. Nie zamykać gwałtownie zaworu tłocznego, gdyż wystąpi wtedy efekt młota wodnego, który może spowodować poważne uszkodzenie pompy.

Uruchamianie:

⚠️ OSTROŻNIE:

- Nie należy zwiększać obrotów silnika tuż po jego uruchomieniu, ponieważ wtedy smarowanie olejem jest jeszcze niewystarczające. Niepotrzebne podwyższanie obrotów skraca żywotność urządzenia lub prowadzi do awarii.

1. Sprawdzić, czy kadłub pompy napełniony jest wodą.
2. Sprawdzić, czy sitko znajduje się pod wodą.

⚠️ OSTROŻNIE:

- Zastosować jakieś środki zapobiegawcze, jeśli dno zbiornika wodnego pokryte jest błotem lub piaskiem.
3. Sprawdzić, czy wylot węża tłocznego nie jest zablokowany.
 4. Przeszawić przełącznik silnika I-O (WŁ/WYŁ) w położenie "I" (WŁ).
 5. Sprawdzić, czy dźwignia przepustnicy ustawiona jest na "L". (rys. 7)
 6. Naciskać pompkę, dopóki paliwo nie dopłynie do pompki zastrzykowej. (Zazwyczaj 7 – 10 ruchów.)
 7. Ustawić dźwignię ssania.
 - Jeśli silnik jest zimny lub jeśli temperatura otoczenia jest niska, całkowicie zamknąć dźwignię ssania. (rys. 8)
 - Jeśli silnik jest ciepły lub jeśli temperatura otoczenia jest wysoka, otworzyć dźwignię ssania do połowy lub całkowicie.
 8. Pociągnąć delikatnie za uchwyt rozrusznika aż do napotkania oporu. Następnie cofnąć uchwyt i mocno go pociągnąć. Nie wyciągać linki na całą długość. Po pociągnięciu uchwytu rozrusznika nie należy zaraz go puszczać. Trzymać uchwyt, dopóki nie powróci do położenia pierwotnego. W razie trudności z rozruchem silnika otworzyć przepustnicę o około 1/3.
 9. Po uruchomieniu ustawić dźwignię ssania w położenie OTWARTE, jeśli była ona zamknięta. (rys. 9)
 10. Należy pozwolić, aby silnik odpowiednio się rozgrzał. Kontynuować rozgrzewanie silnika przez 2-3 minuty w położeniu "L".

Praca silnika:

Przeszawić dźwignię przepustnicy w położenie środkowe i sprawdzić, czy z węża tłocznego wydostaje się woda.

Zakończenie użytkowania

Zatrzymanie silnika

Przekręcić dźwignię przepustnicy w położenie "L", aby obroty silnika były jak najniższe. Przeszawić przełącznik silnika I-O (WŁ/WYŁ) w położenie "O" (WŁ).

Usunąć wodę po użyciu

Woda wewnątrz pompy zamarza zimą w temperaturze poniżej 0°C, co może spowodować uszkodzenie pompy. Po użyciu pompy należy usunąć wodę przy pomocy spustu u dołu zbiornika.

INSTRUKCJE DOTYCZĄCE KONSERWACJI

BACZNOŚĆ:

- Przed wystąpieniem do jakichkolwiek prac przy urządzeniu należy zatrzymać silnik. Nie wykonywać żadnych prac konserwacyjnych, gdy silnik jest jeszcze gorący.

OSTROŻNIE:

- Podczas konserwacji nie myć silnika wodą.

WYMIANA OLEJU SILNIKOWEGO

BACZNOŚĆ:

- Po zatrzymaniu silnika i oleju silnikowy są jeszcze gorące. Należy odczekać, aż silnik i olej silnikowy ostygną. Nieprzestrzeganie tego zalecenia grozi poparzeniami.

OSTROŻNIE:

- Przed wymianą oleju należy znaleźć odpowiedni sposób na utylizację starego oleju. Nie wolno wlewać go do kanalizacji, do strumieni lub wylewać na ziemię uprawną. Lokalne przepisy zawierają szczegółowe informacje na temat utylizacji oleju.

Przepracowany olej silnikowy skraca żywotność silnika. Należy regularnie sprawdzać poziom i jakość oleju.

UWAGA:

- Przepelnienie zbiornika oleju może spowodować jego zanieczyszczenie lub zapalenie, co powoduje wydzielanie białego dymu. Po zatrzymaniu silnika należy odczekać, aż olej silnikowy powróci do zbiornika oleju, co zapewni prawidłowy odczyt na wskaźniku poziomu oleju.

Okres wymiany: Po pierwszych 20 godzinach roboczych, a następnie po każdym 50 godzinach roboczych.

Zalecany olej: SAE 10W-30, klasyfikacja API, klasa SF lub wyższa (olej do czterosurowych silników samochodowych)

Objętość oleju:

model EW1050H: ok. 0,08 L

model EW1060H: ok. 0,1 L

1. Odkręcić wskaźnik poziomu oleju. (**rys. 10**)

Należy uważać, aby wskaźnik odłożyć w miejsce, gdzie nie będzie się na nim gromadził brud, kurz lub inne zanieczyszczenia.

2. Umieścić szmatkę lub ręcznik papierowy wokół otworu wlewu oleju.
3. Wykręcić wskaźnik poziomu oleju, następnie przechylić silnik i przelać olej do miski lub innego pojemnika.
4. Umieścić urządzenie na płaskiej powierzchni. Wlać olej z elastycznej butelki lub innego odpowiedniego pojemnika. Uzupełnić olej tak, aby nie przelał się przez szyjkę wlewu. (**rys. 4**)
5. Po uzupełnieniu poziomu oleju ponownie założyć wskaźnik poziomu oleju. Sprawdzić, czy wskaźnik jest mocno dokręcony – jeśli się potem poluzuje, spowoduje to wyciek oleju.

KONTROLA ŚWIECY ZAPŁONOWEJ (rys. 11)

OSTROŻNIE:

- Nigdy nie dotykać nasadki świecy zapłonowej przy włączonym silniku (ryzyko porażenia prądem o wysokim napięciu).

Częstotliwość czyszczenia i kontroli: Codziennie (po każdym 10 godzinach pracy)

- Do montażu i demontażu świecy zapłonowej należy używać tylko dostarczonego klucza uniwersalnego.
- Przerwa iskrowa pomiędzy dwiema elektrodami świecy zapłonowej powinna wynosić 0,7 – 0,8 mm. Jeżeli przerwa iskrowa jest zbyt duża lub zbyt mała, należy ją wyregulować. Jeżeli świeca zapłonowa jest zablokowana lub zanieczyszczona, należy ją dokładnie wyczyścić lub wymienić.

CZYSZCZENIE FILTRA POWIETRZA (rys. 12)

BACZNOŚĆ:

- Wyłączyć silnik. Nie zbliżać się do otwartego płomienia. Zabrudzony wkład filtra powietrza powoduje trudności z uruchomieniem silnika, utratę mocy, usterki silnika oraz znaczące skrócenie trwałości silnika. Wkład filtra powietrza utrzymywać w czystości.

Częstotliwość czyszczenia i kontroli: Codziennie (po każdym 10 godzinach pracy)

1. Przesunąć dźwignię ssania w położenie zamknięte, aby brud i kurz nie dostały się do gaźnika.
2. Odkręcić śrubę mocującą pokrywę filtra powietrza.
3. Pociągnąć dolną krawędź pokrywy, aby ją zdjąć.
4. Wyjąć wkład, a potem oczyścić go roztworem ciepłej wody i łagodnego detergentu, a potem dokładnie go wysuszyć.
5. Założyć go, kierując się liniami pokazanymi na rysunku.
6. Wytrzeć szmatką ewentualny olej wokół pokrywy filtra powietrza i odpowietznika.
7. Po czyszczeniu założyć ponownie pokrywę filtra (najpierw włożyć górny występ, potem dolny) i dokręcić śrubę mocującą.

CZYSZCZENIE FILTRA PALIWA

BACZNOŚĆ:

- Wyłączyć silnik. Nie zbliżać się do otwartego płomienia. Nie palić.

Częstotliwość czyszczenia i kontroli: Co miesiąc (po każdym 50 godzinach pracy)

Filtr paliwa służy do filtrowania paliwa tłoczonego do gaźnika. Należy regularnie przeprowadzać kontrolę wzdrową filtra paliwa.

1. Odkręcić korek zbiornika paliwa, użyć drucianego haka i wyciągnąć przez otwór głowicę ssącą.
2. Zdjąć zacisk na wężu i wyciągnąć filtr powietrza z przewodu paliwowego.
3. Oczyścić filtr paliwa naftą.
4. Po oczyszczeniu zamontować filtr ponownie.
5. Jeśli filtr jest sztywny lub zapchany, wymienić go na nowy.

Filtr paliwa należy wymieniać przynajmniej raz na kwartał, aby zapewnić dostateczny dopływ paliwa do gaźnika. W przeciwnym wypadku ograniczony dopływ paliwa mógłby stwarzać problemy z uruchomieniem silnika oraz ograniczać jego prędkość maksymalną.

Po sprawdzeniu, oczyszczeniu lub wymianie filtra zamontować filtr paliwa na przewodzie paliwowym przy użyciu zacisku.

Wcisnąć filtr paliwa do oporu do dna zbiornika paliwa. (rys. 13)

WYMIANA PRZEWODU PALIOWEGO (rys. 14)

⚠ BACZNOŚĆ:

- Wyłączyć silnik. Nie zbliżać się do otwartego płomienia.

Częstotliwość czyszczenia i kontroli: Codziennie (po każdym 10 godzinach pracy)

Wymiana: Raz na rok (po każdym 200 godzinach pracy)

Przewód paliwowy należy wymieniać raz na rok niezależnie od częstotliwości użytkowania urządzenia. Wyciek paliwa może być przyczyną pożaru.

W razie wykrycia wycieku podczas kontroli natychmiast wymienić przewód paliwowy.

KONTROLA ŚRUB, WKRĘTÓW I NAKRĘTEK

- Dokręcić poluzowane śruby, nakrętki itp.
- Sprawdzić dokręcenie korka zbiornika paliwa i korka wlewu oleju. Sprawdzić, czy nie dochodzi do wycieków paliwa i oleju.
- Ze względów bezpieczeństwa wymienić uszkodzone części na nowe.

CZYSZCZENIE CZĘŚCI

- Silnik należy utrzymywać w czystości, wycierając go szmatką.
- Żeberka cylindra powinny być wolne od kurzu i brudu. Kurz lub zabrudzenia na żeberkach mogą spowodować zatarcie tłoka.

Harmonogram konserwacji okresowej

Element \ Czas pracy		Przed	Codziennie	50	200	Przed
		użyciem	(10 godzin)	godzin	godzin	przecho- wywaniem
Olej silnikowy	Sprawdzić/uzupełnić	○				
	Wymienić			○*1		
Dokręcenie części (śruby, nakrętki)	Sprawdzić	○				
Zbiornik paliwa	Oczyszczyć/sprawdzić	○				
	Usunąć paliwo					○
Dźwignia przepustnicy	Sprawdzić działanie	○				
Przełącznik I-O (WŁ./WYŁ.)	Sprawdzić działanie	○				
Filtr powietrza	Wyczyścić		○			
Świeca zapłonowa	Sprawdzić		○			
	Oczyszczyć/wyregulować				○	
Kanał powietrza chłodzącego i żeberka cylindra	Oczyszczyć/sprawdzić		○			
Przewód paliwowy	Sprawdzić		○			
	Wymienić				⊙*2	
Filtr paliwa	Oczyszczyć/wymienić			○		
Luz zaworowy (zawór ssący i zawór tłoczny)	Sprawdzić/wyregulować				⊙*2	
Remont silnika, jeśli to konieczne					⊙*2	
Gaźnik	Usunąć paliwo					○
Zespół pomp	Wyczyścić		○			
Sitko	Sprawdzić/wyczyścić	○				

*1 Pierwsza wymiana powinna nastąpić po 20 godzinach pracy.

Przed wymianą oleju należy znaleźć odpowiedni sposób na utylizację starego oleju. Nie wolno wlewać oleju do kanalizacji, do strumienia lub wylewać na ziemię uprawną. Lokalne przepisy zawierają szczegółowe informacje na temat utylizacji oleju.

*2 Po 200 godzinach pracy oddać urządzenie do autoryzowanego punktu serwisowego.

PRZECHOWYWANIE

⚠ BACNOŚĆ:

- Przed przystąpieniem do usunięcia paliwa upewnić się, że silnik jest zatrzymany i nie jest gorący. Tuż po wyłączeniu silnika jest on nadal gorący, co stwarza ryzyko poparzenia i pożaru.

⚠ OSTROŻNIE:

- Jeżeli urządzenie ma pozostać nieużywane przez dłuższy czas, należy usunąć całe paliwo ze zbiornika i przechowywać urządzenie w suchym i czystym miejscu.

Przed przechowywaniem

1. Całkowicie usunąć wodę przez otwór spustowy.
2. Delikatnie pociągnąć za uchwyt rozrusznika silnika, aż będzie odczuwalny opór.
3. Po usunięciu paliwa ze zbiornika nacisnąć pompkę zastrzykową, aż całe paliwo z przewodu paliwowego zostanie usunięte. Ponownie usunąć paliwo z pompy.
4. Ustawić dźwignię przepustnicy w położenie "L".
5. Wytrzeć kurz lub brud.
6. Przechowywać pompkę w suchym, ciepłym pomieszczeniu, gdzie nie będzie narażona na zamrażanie.

Transport

Podczas podnoszenia i przenoszenia maszyny należy mocno przytrzymać uchwyt obiema rękami.

ROZWIĄZYWANIE PROBLEMÓW

Przed zleceniem naprawy należy samodzielnie sprawdzić urządzenie. W razie wykrycia usterki sprawdzić urządzenie zgodnie z opisem w niniejszej instrukcji obsługi. Nigdy nie manipulować ani nie demontować żadnej części w sposób niezgodny z opisem. W celu naprawy skontaktować się z autoryzowanym punktem serwisowym.

Problem	Przyczyna	Rozwiązanie
Silnik nie uruchamia się.	Nie można uruchomić pompki zastrzykowej.	Nacisnąć 7 – 10 razy.
	Zbyt wolne pociąganie linki rozrusznika.	Pociągnąć mocniej.
	Brak paliwa.	Uzupełnić paliwo.
	Zablokowany filtr paliwa.	Oczyścić filtr.
	Odłączony przewód paliwowy.	Właściwie podłączyć przewód paliwowy.
	Zagięty przewód paliwowy.	Wyprostować przewód paliwowy.
	Gorsza jakość paliwa.	Gorsza jakość paliwa utrudnia rozruch. Wymienić paliwo na nowe. (Zalecana wymiana: 1 miesiąc)
	Nadmierne zasysanie paliwa.	Ustawić dźwignię przepustnicy na położenie średnie lub "H" i pociągnąć uchwyt rozrusznika, dopóki silnik nie włączy się. Jeżeli silnik dalej się nie uruchamia, wyjąć świecę zapłonową, osuszyć elektrodę i ponownie zamontować. Następnie uruchomić silnik zgodnie z zaleceniami.
	Odłączona nasadka świecy zapłonowej.	Założyć prawidłowo.
	Zanieczyszczona świeca zapłonowa.	Oczyścić filtr.
	Nieprawidłowa przerwa iskrowa świecy zapłonowej.	Wyregulować przerwę iskrową.
	Inna usterka świecy zapłonowej.	Wymienić ją.
	Usterka gaźnika.	Zlecić serwisowi kontrolę i konserwację.
	Nie można pociągnąć linki rozrusznika.	Zlecić serwisowi kontrolę i konserwację.
Usterka układu napędowego.	Zlecić serwisowi kontrolę i konserwację.	

Silnik gaśnie. Prędkość silnika nie wzrasta.	Silnik niewystarczająco rozgrzany.	Rozgrzać silnik.
	Dźwignia ssania jest ustawiona w położeniu "CLOSE", mimo że silnik jest rozgrzany.	Przestawić w położenie "OPEN".
	Zablokowany filtr paliwa.	Oczyścić filtr.
	Zanieczyszczony lub zablokowany filtr powietrza.	Oczyścić filtr.
	Usterka gaźnika.	Zlecić serwisowi kontrolę i konserwację.
	Usterka układu napędowego.	Zlecić serwisowi kontrolę i konserwację.
Pompa nie działa.	Zablokowany wirnik.	Należy zwrócić się do lokalnego autoryzowanego punktu serwisowego Makita.
Wydajność pompy jest zbyt mała.	Powietrze dostaje się po stronie ssawnej.	Sprawdzić węże po stronie ssawnej.
	Spadek mocy silnika.	Należy zwrócić się do lokalnego autoryzowanego punktu serwisowego Makita.
	Uszkodzenie uszczelnienia mechanicznego.	Wymienić uszczelkę.
	Duża wysokość ssania.	Zmniejszyć wysokość ssania.
	Wąż długi, cienki lub zagięty.	Zastosować wąż krótszy, grubszy lub go wyprostować.
	Przeciek wody z kanału.	Wyeliminować przeciek.
	Ciało obce blokuje wirnik.	Należy zwrócić się do lokalnego autoryzowanego punktu serwisowego Makita.
	Zużycie wirnika.	Należy zwrócić się do lokalnego autoryzowanego punktu serwisowego Makita.
Nie działa zasysanie pompy.	Zasysanie powietrza po stronie ssawnej.	Sprawdzić węże po stronie ssawnej.
	Zbyt mało wody wewnątrz kadłuba pompy.	Zalać całą pompę.
	Niedokładne zakręcenie kurka spustowego.	Dokręcić dokładnie oba korki.
	Nierówne obroty silnika.	Należy zwrócić się do lokalnego autoryzowanego punktu serwisowego Makita.
	Powietrze dostaje się z uszczelnienia mechanicznego.	Wymienić uszczelkę.

Legendă pentru vederea detaliată

1 Bușon (amorsare)	14 Clapetă de șoc	27 Aspirajie
2 Refulare	15 Mâner sistem de pornire	28 Sită
3 Aspirajie	16 Sistem de pornire cu soară	29 Furtun (accesoriu opțional)
4 Bușon (golire)	17 Jojă de ulei	30 Jojă de ulei
5 Corp pompă	18 Picioare de sprijin	31 Nivel superior
6 Mâner	19 Manetă de accelerație	32 Nivel inferior
7 Capac bujie	20 Garnitură	33 Bușon rezervor de combustibil
8 Filtru de aer	21 Cuplaj furtun	34 Nivel superior
9 Capac rezervor	22 Piuliță	35 Rezervor de combustibil
10 Rezervor de combustibil	23 Colier furtun	36 Conductă de combustibil
11 Pompă de amorsare	24 Furtun	
12 Buton I-O (pornit/oprit)	25 Bușon (amorsare)	
13 Tobă de eșapament	26 Refulare	

Vă mulțumim pentru că ați achiziționat motopompa MAKITA. Este o mulțumire pentru noi să vă putem recomanda motopompa MAKITA, care este rezultatul unui program de dezvoltare de durată și al multor ani de studii și experiență.

Vă rugăm să citiți conținutul acestui manual, în care sunt explicate detaliat diversele aspecte care demonstrează performanțele extraordinare ale utilajului. Informațiile vă vor ajuta să utilizați motopompa MAKITA la parametri optimi.

SIMBOLURI

Pe parcursul manualului, veți observa următoarele simboluri.



Citiți manualul de instrucțiuni și respectați avertismentele și măsurile de siguranță.



Acordați o atenție deosebită.



Nu utilizați motopompa în spații închise.



Nu atingeți motorul înainte de a se răci.



Focul interzis!



Înainte de a utiliza motopompa, verificați nivelul uleiului.



Marcaj CE

⚠️ AVERTISMENT:

• CITIȚI ȘI REȚINEȚI TOATE INFORMAȚIILE DIN MANUAL ÎNAINTE DE A PUNE ÎN FUNCȚIUNE MOTOPOMPA.

Semnele ⚠️ de mai jos indică informații importante referitoare la siguranță. Respectați aceste instrucțiuni. Utilizarea incorectă a motopompei poate cauza accidente grave.

⚠️ **PERICOL:** Nerespectarea instrucțiunilor poate duce la deces sau vătămări corporale grave.

⚠️ **AVERTISMENT:** Nerespectarea instrucțiunilor de AVERTIZARE poate duce la vătămări corporale grave sau chiar la decesul operatorului, al persoanelor din apropiere sau al persoanei care verifică sau repară motopompa.

⚠️ **ATENȚIE:** O ATENȚIONARE indică măsuri speciale de siguranță care trebuie luate pentru evitarea vătămarilor corporale și defectării motopompei.

OBSERVAȚIE: O OBSERVAȚIE conține informații esențiale pentru ușurarea sau clarificarea procedurilor.

INSTRUCȚIUNI DE SIGURANȚĂ

- În acest manual sunt explicate modalitate de utilizare și măsurile de siguranță pentru modalitatea. Citiți cu atenție manualul înainte de a pune în funcțiune motopompa. Respectați cu strictețe normele de siguranță.
- Păstrați acest manual într-un loc sigur, pentru a-l putea consulta ori de câte ori aveți nevoie. În cazul în care îl pierdeți sau îl deteriorați, solicitați imediat un altul de la centrul de service autorizat Makita.
- Dacă împrumutați sau dăruți motopompa altor persoane, înmânați-le și manualul de instrucțiuni împreună cu restul documentelor informative.
- Datorită programului nostru continuu de cercetare și dezvoltare, datele tehnice ale produsului pot fi modificate fără aviz prealabil. Ilustrațiile sau informațiile din manual pot fi diferite față de cele ale produsului real.
- Dacă aveți nevoie de mai multe detalii, adresați-vă dealerului din zona dumneavoastră sau Centrului de service Makita.

Domeniu de utilizare

Motopompa este destinată exclusiv udării și irigării.
Motopompa se va utiliza exclusiv pentru pomparea apei curate.

PERICOL:

- Nu modificați în niciun fel motopompa sau componentele sale.
- Nu utilizați motopompa în ale scopuri decât cele pentru care a fost concepută.
- Pentru lucrările de întreținere și reparare, utilizați numai piese de schimb originale și omologate.
- Nerespectarea avertismentelor de mai sus poate provoca defectarea iremediabilă a motopompei sau vătămări corporale.

MĂSURI DE SIGURANȚĂ PRIVIND GAZELE DE EȘAPAMENT

- Nu inhalați gazele de eșapament. Acestea conțin monoxid de carbon, un gaz inodor, incolor și extrem de periculos care poate cauza pierderea conștiinței sau deces.
- Nu porniți motorul în spații închise sau insuficient aerisite, de exemplu în tuneluri, zone subterane etc.
- Fiți extrem de atent atunci când utilizați motopompa în apropierea oamenilor sau animalelor.
- Îndepărtați corpurile străine din conducta de evacuare.

MĂSURI DE SIGURANȚĂ ÎN TIMPUL ALIMENTĂRII CU COMBUSTIBIL

- Nu uitați să opriți motorul înainte de alimentarea cu combustibil.
- Nu alimentați peste limita maximă.
- Ștergeți cu grijă orice urmă de combustibil de pe carcasa motopompei și așteptați ca acesta să se usuce înainte de a porni motorul.
- După alimentare, verificați dacă bușonul rezervorului de combustibil este bine fixat, pentru a împiedica scurgerile de combustibil.

PREVENIREA INCENDIILOR

- Nu fumați în timp ce utilizați motopompa și nu o utilizați în apropierea unei flăcări deschise.
- Nu utilizați motopompa în apropierea vegetației, crengilor, cârpelor și lavetelor uscate sau lângă materiale inflamabile.
- Păstrați o distanță de cel puțin un metru față de clădiri sau alte construcții.
- Nu țineți motopompa în apropierea materialelor inflamabile sau periculoase (gunoi, cârpe, lubrifianți, substanțe explozive).

Numai pentru țările din Europa

Declarație de conformitate CE

Noi, Makita Corporation, în calitate de producător responsabil, declarăm că următorul utilaj/următoarele utilaje Makita:

Denumirea utilajului: Motopompă

Nr. model/tip: EW1050H, EW1060H

Date tehnice: vezi tabelul "DATE TEHNICE"

este în producție de serie și

că este/sunt în conformitate cu următoarele directive europene:

2000/14/EC, 2006/42/EC, 2010/26/EU,
2004/108/EC, 2000/14/EC, 2005/88/EC

De asemenea, că este/sunt fabricat(e) în conformitate cu următoarele standarde sau documente standardizate:

EN 809, EN 55012

Documentația tehnică se află la:

Makita International Europe Ltd., departamentul tehnic,
Michigan Drive, Tongwell, Milton Keynes, Bucks
MK15 8JD, Anglia

Procedura de evaluare a conformității, solicitată de Directiva 2000/14/CE, corespunde anexeii V.

Intensitate sonoră măsurată: 100,9 dB(A)

Intensitate sonoră garantată: 109 dB(A)

31.8.2012



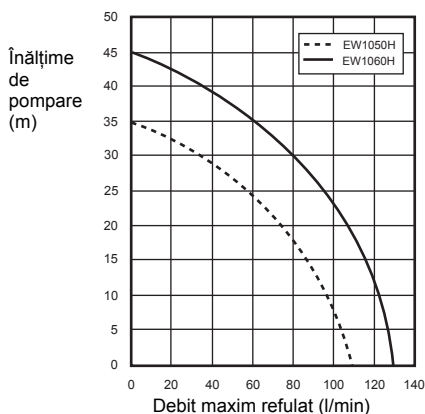
Tomoyasu Kato
Director

Makita Corporation
3-11-8, Sumiyoshi-cho,
Anjo, Aichi, JAPAN

DATE TEHNICE

		EW1050H	EW1060H	
Greutate	kg	5,8	7,3	
Dimensiune	mm	327 x 231 x 319	356 x 234 x 336	
Tip		POMPĂ CENTRIFUGĂ cu autoamorsare		
Diametru (aspirație/refulare)	inch	1		
Înălțime de pompare	m	35	45	
Debit maxim refulat	l/min	110	130	
Înălțime maximă de aspirație	m	8	8	
Capacitate (rezervor de combustibil)	l	0,5	0,65	
Capacitate (rezervor de ulei)	l	0,08	0,1	
Cilindree	cm ³	24,5	33,5	
Putere maximă a motorului	kW	0,71 la 7.000 min ⁻¹	1,07 la 7.000 min ⁻¹	
Carburator	tip	Cu membrană		
Sistem de aprindere	tip	Aprindere electronică		
Bujie	tip	NGK CMR6A		
Distanță între electrozi	mm	0,7 – 0,8		
Combustibil		Benzină obișnuită		
Ulei de motor		SAE 10W-30, Clasificarea API, Clasa SF sau superioară (motor în 4 timpi, pentru automobile)		
Temperatura apei pompate	°C	5 – 40	5 – 40	
Nivel de presiune acustică	L _{pA eq}	dB (A)	88,4	88,4
	Incertitudine K	dB (A)	3	3
Nivel de putere acustică	L _{wA, d}	dB (A)	109	109

Observație: Purtați dispozitive de protecție oculară în timpul utilizării motopompei.



IDENTIFICAREA COMPONENTELOR (Fig. 1 și 2)

ASAMBLAREA (Fig. 3)

⚠️ AVERTISMENT:

- Opriți motorul înainte de a efectua lucrări asupra motopompei.
- Porniți motorul numai după ce ați asamblat complet motopompa.

MONTAREA FURTUNULUI

1. Montați racordurile pe pompă.

⚠️ ATENȚIE:

- Când montați racordurile, verificați dacă garnitura este la locul său.
- 2. Fixați furtunurile în racorduri cu colierul. Verificați dacă este bine strâns colierul.

3. Montați sita la capătul furtunului de aspirație.

OBSERVAȚIE:

- Dacă în furtun pătrunde aer, apa nu va putea fi aspirată.

⚠ ATENȚIE:

- Nu îndepărtați sita! Motopompa se poate defecta datorită corpurilor străine aspirate. Verificați dacă este bine strâns colierul.

VERIFICĂRI ÎNAINTE DE UTILIZARE

⚠ AVERTISMENT:

- Oprii motorul înainte de a efectua lucrări asupra motopompei. Executați orice lucrare pe o suprafață dreaptă și stabilă.
- Înainte de a porni motorul, verificați dacă există șuruburi sau piese de îmbinare slăbite.
- În timpul verificării sau reparării, nu atingeți motorul sau toba de eșapament cu corpul sau cu îmbrăcămintea înainte ca acestea să se răcească.
- Aveți grijă ca zona în care lucrați să fie bine aerisită. Atenție la gazele de eșapament!

VERIFICAREA ȘI COMPLETAREA NIVELULUI DE ULEI (Fig. 4)

Efectuați procedura de mai jos, după ce motorul s-a răcit.

- Așezați motorul în poziție orizontală.
- Nu înșurubați joja în bușonul rezervorului de ulei pentru a verifica nivelul.
- Verificați dacă nivelul uleiului se află între limita inferioară și cea superioară de pe jojă.
- Dacă nivelul indicat este sub limita inferioară, completați cu ulei.
- Este posibil să fie nevoie să completați cu ulei o dată la zece ore de funcționare (la fiecare 10 alimentări cu combustibil).
- Dacă uleiul își schimbă culoarea sau prezintă impurități, înlocuiți-l cu ulei curat.

Ulei recomandat: SAE 10W-30, Clasificarea API, Clasa SF sau superioară (motor în 4 timpi, pentru automobile)

Capacitate rezervor de ulei:

Pentru modelul EW1050H: aprox. 0,08 l

Pentru modelul EW1060H: aprox. 0,1 l

OBSERVAȚIE:

- Dacă motorul nu este așezat în poziție orizontală, este posibil ca nivelul indicat de jojă să nu fie cel real și să completați cu o cantitate prea mare de ulei. Completarea peste limita superioară poate duce la contaminarea uleiului sau la producerea unui fum alb.

Completarea cu ulei de motor

1. Așezați motorul în poziție orizontală și demontați joja de ulei.
2. Completați cu ulei până la marcajul superior. Folosiți o sticlă de ulei.
3. Strângeți bine joja. Dacă joja nu este strânsă suficient, se pot produce pierderi de ulei.

După completarea cu ulei

- Curățați imediat cu o cârpă uleiul vărsat.

Schimbarea uleiului: Joja de ulei

- Îndepărtați praful sau impuritățile din jurul orificiului de completare.

- Curățați în permanență nisipul și praful de pe jojă. În caz contrar, particulele de nisip sau de praf lipite pe capac pot cauza circulația neuniformă a uleiului sau uzura componentelor motorului.

COMBUSTIBILUL

⚠ AVERTISMENT:

- Combustibilul este extrem de inflamabil și toxic. Nu stați în apropierea flăcărilor deschise (țigări, mașini de gătit, artificii), scânteilor electrice (produse de baterii, scurtcircuituri, întrerupătoare, aparate de sudură etc.) atunci când manipulați combustibilul.
- Nu uitați să opriți motorul înainte de a alimenta. Nu alimentați înainte de răcirea motorului.
- Fiți atent nu doar atunci când alimentați, ci și când transferați combustibilul într-un recipient de mici dimensiuni.
- După ce ați terminat de alimentat, strângeți bușonul rezervorului de combustibil și ștergeți orice urmă de combustibil vărsat.

Manipularea combustibilului

Combustibilul trebuie manipulat cu cea mai mare grijă. Poate conține substanțe asemănătoare solventilor. Alimentarea cu combustibil trebuie efectuată într-o încăpere bine aerisită sau în aer liber. Nu inhalați vaporii de combustibil și nu țineți combustibilul aproape de corp. Dacă pielea vine în contact cu combustibilul în mod repetat sau pentru o perioadă lungă de timp, aceasta se va usca, putând apărea boli cutanate sau alergii. În cazul contactului combustibilului cu ochii, spălați cu apă curată. Dacă iritația ochilor persistă, consultați medicul.

Perioada de depozitare a combustibilului

Combustibilul trebuie să fie consumat într-o perioadă de 4 săptămâni, chiar dacă este păstrat într-un recipient special, într-o zonă bine aerisită, aflată la umbră.

În caz contrar, combustibilul se poate deteriora într-o zi.

Depozitarea motopompei și a rezervorului

- Păstrați motopompa și rezervorul într-un loc răcoros, ferite de lumina directă a soarelui.
- Nu păstrați combustibilul în autovehicul.

Tip de combustibil:

Motorul este un motor în patru timpi. Folosiți benzină fără plumb cu cifră octanică 87 sau mai mare ((R+M)/2). Poate conține maximum 10% alcool (E-10).

- Nu utilizați niciodată un amestec de benzină și ulei de motor. În caz contrar, vor apărea o acumulare excesivă de carbon sau probleme de natură mecanică.

Capacitate rezervor de combustibil:

Pentru modelul EW1050H: 0,5 l

Pentru modelul EW1060H: 0,65 l

Alimentarea cu combustibil (Fig. 5)

1. Așezați motorul în poziție orizontală.
 2. Desfaceți puțin bușonul rezervorului, pentru a elibera presiunea din rezervor.
 3. Scoateți bușonul și alimentați cu combustibil. NU umpleți până la refuz rezervorul de combustibil.
 4. După alimentare, strângeți bine bușonul rezervorului.
- Ștergeți partea exterioră a bușonului, pentru a împiedica pătrunderea impurităților în rezervorul de combustibil.
 - Dacă bușonul este fisurat sau deteriorat, înlocuiți-l.
 - Bușonul rezervorului de combustibil se uzează în timp. Înlocuiți-l o dată la doi-trei ani.

- NU introduceți combustibil în orificiul de completare cu ulei.

Apa de amorsare (Fig. 6)

⚠️ ATENȚIE:

- Nu începeți pomparea dacă în corpul pompei nu există apă. În caz contrar, garnitura mecanică se poate deteriora.

Scoateți bușonul de amorsare și adăugați apă curată până când corpul pompei se umple complet. După umplere, strângeți bușonul de amorsare.

OBSERVAȚIE:

- Dacă nu există suficientă apă, capacitatea de autoamorsare se reduce.
- Așezați motopompa pe o suprafață stabilă și cât mai aproape de sursa de apă.
- Cu cât înălțimea de aspirație este mai mare, cu atât timpul de amorsare va fi mai lung, iar debitul mai redus.

VERIFICAREA MOTORULUI:

- Verificați cu atenție furtunurile de alimentare cu combustibil pentru a detecta eventualele porțiuni slăbite și scurgeri de combustibil. Scurgerile de combustibil pot reprezenta un pericol.
- Verificați dacă șuruburile și piulițele sunt bine strânse. În caz contrar, strângeți-le. Un șurub sau o piuliță slăbit(ă) poate duce la defectarea gravă a motorului.
- Verificați nivelul uleiului și completați dacă este cazul.
- Verificați nivelul combustibilului și alimentați dacă este cazul. Aveți grijă să nu depășiți nivelul maxim de combustibil.
- Păstrați sistemul de pornire cu sfoară și aripioarele de răcire curate, fără urme de murdărie, iarbă sau alte impurități.
- Purlați îmbrăcăminte de lucru strânsă pe corp atunci când utilizați motopompa.

FUNCȚIONAREA

⚠️ AVERTISMENT:

- Nu atingeți toba de eșapament fierbinte, mai ales atunci când reporniți motorul. Toba de eșapament este fierbinte după funcționarea motorului.
- Nu atingeți cu mâna sau cu obiecte străine supapele de refulare în timpul funcționării motopompei.

⚠️ AVERTISMENT:

Atenție la lovitura de berbec!

- Nu lăsați vehiculele să treacă cu roțile peste furtunul de refulare. Nu închideți brusc supapa de refulare, deoarece se poate produce o "lovitură de berbec", care poate cauza defectarea gravă a motopompei.

Pornirea:

⚠️ ATENȚIE:

- Nu turăți motorul imediat după pornire, pentru că uleiul de lubrifiere încă nu a ajuns să un gă toate componentele. Turațiile ridicate inutile reduc durata de utilizare a motopompei și provoacă defecțiuni.

1. Verificați dacă corpul pompei este umplut cu apă.
2. Verificați dacă sita este așezată sub suprafața apei.

⚠️ ATENȚIE:

- Luați măsuri de precauție dacă pe fundul apei există noroi sau nisip.
3. Verificați dacă există obstacole în orificiul de intrare al furtunului de refulare.

4. Puneți butonul I-O (pornit/oprit) al motorului în poziția "I" (pornit).

5. Verificați dacă maneta de accelerație este în poziția "L". (Fig. 7)

6. Continuați să apăsați pompa de amorsare până când combustibilul intră în pompă (în general, după 7 – 10 apăsări).

7. Reglați clapeta de șoc.

- Dacă motorul este rece sau temperatura exterioră este scăzută, închideți complet clapeta de șoc. (Fig. 8)

- Dacă motorul este cald sau temperatura exterioră este ridicată, deschideți clapeta până la jumătate sau lăsați-o complet deschisă.

8. Trageți ușor maneta de pornire, până când simțiți o oarecare rezistență. După aceea, împingeți la loc maneta și trageți-o cu putere.

Nu trageți niciodată complet sfoara.

După ce trageți maneta sistemului de pornire, nu luați niciodată mâna imediat. Țineți maneta sistemului de pornire până când revine în poziția inițială.

Dacă este dificil să porniți motorul, deschideți accelerația ca aproximativ 1/3.

9. După pornirea motorului, lăsați clapeta de șoc în poziția OPEN dacă ați închis-o. (Fig. 9)

10. Lăsați motorul să se "încălzească" suficient. Continuați operațiunea de încălzire timp de 2 – 3 minute, cu maneta în poziția "L".

Cu motorul în funcțiune:

Așezați maneta de accelerație în poziția din mijloc și verificați dacă iese apă din furtunul de refulare.

Înceierea operațiunii

Oprirea motorului

Așezați maneta de accelerație în poziția "L", pentru ca motorul să ruleze la turația cea mai redusă.

Puneți butonul I-O (pornit/oprit) al motorului în poziția "O" (oprit).

Evacuarea apei după utilizarea motopompei

Pe timpul iernii, apa rămasă în pompă îngheață la temperaturi sub 0°C și poate provoca fisurarea corpului pompei. Evacuați apa prin orificiul de golire din partea de jos înainte de a depozita motopompa după utilizare.

INSTRUCȚIUNI DE ÎNTREȚINERE ȘI REPARAȚIE

⚠️ AVERTISMENT:

- Opriti motorul înainte de a efectua lucrări asupra motopompei. Nu efectuați lucrări de întreținere sau reparație înainte de răcirea completă a motorului.

⚠️ ATENȚIE:

- Nu spălați motorul cu apă în timpul lucrărilor de întreținere sau reparație.

SCHIMBAREA ULEIULUI DE MOTOR

⚠️ AVERTISMENT:

- Motorul și uleiul de motor sunt încă fierbinți după oprirea motorului. Așteptați o perioadă de timp suficientă ca motorul și uleiul să se răcească. În caz contrar, puteți suferi arsuri.

⚠️ ATENȚIE:

- Înainte de schimbarea uleiului, căutați o metodă convenabilă de aruncare a uleiului uzat. Nu îl vărsați în canalizare, pe pământ sau în cursurile de apă. Autoritățile pentru protecția mediului din zona dumneavoastră vă pot oferi instrucțiuni detaliate privind eliminarea corectă a uleiului uzat. Uleiul uzat scurtează durata de viață a motorului. Din acest motiv, trebuie să verificați periodic nivelul și starea uleiului.

OBSERVAȚIE:

- Dacă uleiul completat depășește limita, se poate contamina sau se poate aprinde, generând fum alb. După oprirea motorului, lăsați să treacă un interval de timp suficient pentru ca uleiul de motor să revină în rezervorul de ulei, pentru a obține valori corecte ale nivelului de ulei.

Intervalul de schimb: După primele 20 de ore de funcționare, apoi la fiecare 50 de ore de funcționare.

Ulei recomandat: SAE 10W-30, Clasificarea API, Clasa SF sau superioară (motor în 4 timpi, pentru automobile)

Capacitate rezervor de ulei:

Pentru modelul EW1050H: aprox. 0,08 l

Pentru modelul EW1060H: aprox. 0,1 l

1. Scoateți joja. (Fig. 10)

Aveți grijă să așezați joja într-un loc în care să nu acumuleze praf, impurități sau alte substanțe străine.

2. Așezați o lavetă sau un prosop de hârtie în zona din jurul orificiului de completare cu ulei.

3. Scoateți joja, înclinați motorul și scurgeți uleiul într-un vas sau alt recipient.

4. Așezați motopompa pe o suprafață dreaptă. Turnați uleiul cu ajutorul unei sticle din plastic sau un recipient asemănător. Umpleți cu ulei până aproape de marginea bușonului. (Fig. 4)

5. După umplerea cu ulei, introduceți la loc joja. Verificați dacă joja este bine înșurubată; în caz contrar, pot avea loc pierderi de ulei.

VERIFICAREA BUJIEI (Fig. 11)

⚠️ ATENȚIE:

- Nu atingeți fișa bujiei în timpul funcționării motorului (pericol de electrocutare).

Intervalul de curățare și revizie: Ziilnic (la fiecare 10 ore de funcționare)

– Pentru montarea și demontarea bujiei folosiți numai cheia universală inclusă.

– Distanța dintre cei doi electrozi ai bujiei trebuie să fie de 0,7 – 0,8 mm.

Dacă această distanță este prea mare sau prea mică, reglați-o. Dacă bujia este ancrasată sau murdară, curățați-o temeinic sau înlocuiți-o.

CURĂȚAREA FILTRULUI DE AER (Fig. 12)

⚠️ AVERTISMENT:

- Opriti motorul. Feriți filtrul de flacără deschisă.

Un cartuș murdar cauzează pornirea dificilă, pierderea puterii și defecțiuni ale motorului și reduce la minimum durata de viață a motorului. Mențineți curat cartușul filtrului de aer.

Intervalul de curățare și revizie: Ziilnic (la fiecare 10 ore de funcționare)

1. Așezați clapeta de șoc în poziția "complet închisă", pentru a împiedica pătrunderea prafului și a impurităților în carburator.

2. Scoateți șurubul de prindere a capacului filtrului de aer.

3. Trageți de marginea de jos a capacului pentru a-l scoate.

4. Scoateți cartușul, curățați-l cu o soluție de apă caldă și săpun neutru și uscați-l complet.

5. Montați-l urmând pașii indicați în imagine.

6. Ștergeți cu o lavetă urmele de ulei din jurul capacului și filtrului de aer.

7. După curățare, montați la loc capacul filtrului (introduceți mai întâi clapeta de sus, apoi pe cea de jos) și strângeți șurubul de prindere.

CURĂȚAREA FILTRULUI DE COMBUSTIBIL

⚠️ AVERTISMENT:

- Opriti motorul. Feriți filtrul de flacără deschisă. Nu fumați.

Intervalul de curățare și revizie: Lunar (la fiecare 50 ore de funcționare)

Filtrul de combustibil are rolul de a filtra combustibilul necesar carburatorului. Verificați vizual, în mod regulat, filtrul de combustibil.

1. Deschideți bușonul rezervorului de combustibil și, cu ajutorul unui cârlig de sârmă, scoateți sorbul prin orificiul rezervorului.

2. Îndepărtați bușonul furtunului și scoateți filtrul de combustibil de pe conducta de alimentare.

3. Spălați filtrul cu kerosen.

4. După spălare, montați-l la loc.

5. Dacă filtrul s-a întărit sau este înfundat, înlocuiți-l cu unul nou.

Înlocuiți filtrul de combustibil cel puțin o dată la patru luni, pentru a garanta alimentarea corectă a carburatorului. În caz contrar, cantitatea insuficientă de combustibil poate duce la imposibilitatea pornirii motorului și limitarea turației maxime.

După verificare, curățare sau înlocuire, fixați filtrul de combustibil pe conducta de alimentare cu ajutorul colierului.

Împingeți filtrul până la capăt pe fundul rezervorului de combustibil. (Fig. 13)

ÎNLOCUIREA CONDUCTEI DE ALIMENTARE CU COMBUSTIBIL (Fig. 14)

⚠️ AVERTISMENT:

- Opriti motorul. Feriți filtrul de flacără deschisă.

Intervalul de curățare și revizie: Ziilnic (la fiecare 10 ore de funcționare)

Înlocuire: Anual (la fiecare 200 de ore de funcționare)

Înlocuiți anual conducta de alimentare cu combustibil, indiferent de frecvența utilizării. Scurgerile de combustibil pot provoca incendii.

Dacă detectați scurgeri de combustibil în timpul verificării, înlocuiți imediat conducta de alimentare.

VERIFICAREA ȘURUBURILOR ȘI PIULIȚELOR

– Strângeți la loc șuruburile și piulițele etc. slăbite.

– Verificați dacă bușoanele rezervoarelor de combustibil și ulei sunt bine strânse. Verificați dacă există scurgeri de combustibil și ulei.

- Înlocuiți piesele defecte cu piese noi, pentru ca funcționarea să fie sigură.

CURĂȚAREA PIESELOR COMPONENTE

- Păstrați motorul în stare curată, ștergându-l cu o lavetă din material textil.
- Păstrați aripioarele de răcire curate, fără urme de praf sau impurități. Praful sau impuritățile care aderă la aripioare pot cauza griparea pistonului.

Tablelul intervalelor de întreținere periodică

Componentă	Durată de funcționare	Înainte de punerea în funcțiune	Zilnic (10 h)	50 h	200 h	Înainte de depozitare
Ulei de motor	Verificare/completare	○				
	Înlocuire			○*1		
Elemente de strângere (șuruburi, piulițe)	Verificare	○				
Rezervor de combustibil	Curățare/verificare	○				
	Golire combustibil					○
Manetă de accelerație	Verificare funcționare	○				
Buton I-O (pornit/oprit)	Verificare funcționare	○				
Filtru de aer	Curățare		○			
Bujie	Verificare		○			
	Curățare/reglare				○	
Grilă de aer și aripioare de răcire	Curățare/verificare		○			
Conductă de combustibil	Verificare		○			
	Înlocuire					◎*2
Filtru de combustibil	Curățare/înlocuire			○		
Distanță între supape (supapa de admisie și supapa de evacuare)	Verificare/reglare					◎*2
Revizia motorului, dacă este cazul						◎*2
Carburator	Golire combustibil					○
Pompă	Curățare		○			
Sită	Verificare/curățare	○				

*1 Executați înlocuirea inițială după 20 de ore de funcționare.

Înainte de schimbarea uleiului, căutați o metodă convenabilă de aruncare a uleiului uzat. Nu îl vărsați în canalizare, pe pământ sau în cursurile de apă. Autoritățile pentru protecția mediului din zona dumneavoastră vă pot oferi instrucțiuni detaliate privind eliminarea corectă a uleiului uzat.

*2 Pentru verificarea după 200 de ore de funcționare, adresați-vă unui centru de service autorizat.

DEPOZITAREA

⚠️ AVERTISMENT:

- Înainte de a goli combustibilul, opriți motorul și confirmați răcirea acestuia.

Imediat după oprirea motorului, acesta este încă fierbinte, putând provoca arsuri, aprinderea obiectelor cu care intră în contact și incendii.

⚠️ ATENȚIE:

- Atunci când motopompa nu este utilizată pentru o perioadă lungă de timp, goliți complet rezervorul de combustibil și carburator și depozitați motopompa într-un loc curat și uscat.

Înainte de depozitare

1. Îndepărtați toată cantitatea de apă rămasă prin orificiul de golire.
2. Trageți ușor de mânerul sistemului de pornire a motorului până când simțiți rezistență.

3. După golirea rezervorului de combustibil, apăsați pompa de amorsare până când iese tot combustibilul din conducta de alimentare. Acționați încă o dată pompa, pentru a evacua restul de combustibil.
4. Așezați maneta de accelerație în poziția "L".
5. Ștergeți toate urmele de praf sau impurități.
6. Păstrați motopompa într-un loc uscat și cald, unde să nu existe condiții de îngheț.

Transportarea

Țineți bine mânerul cu ambele mâini atunci când ridicați și transportați motopompa.

PROBLEME TEHNICE

Înainte de a solicita efectuarea de reparații, verificați dumneavoastră care sunt problemele. Dacă apare o situație neobișnuită, verificați motopompa conform indicațiilor din acest manual. Nu modificați și nu demontați niciodată o piesă contrar indicațiilor. Pentru reparații, adresați-vă unui centru de service autorizat.

Problemă	Cauză	Soluție
Motorul nu pornește	Pompa de amorsare nu a fost acționată.	Apăsați de 7 – 10 ori.
	Sfoara sistemului de pornire a fost trasă prea lent.	Trageți cu putere.
	Lipsă combustibil.	Alimentați cu combustibil.
	Filtru de combustibil înfundat.	Curățați-l.
	Decuplați conducta de alimentare cu combustibil.	Racordați corespunzător conducta de alimentare.
	Conducta de alimentare cu combustibil este deformată.	Îndreptați conducta de alimentare cu combustibil.
	Combustibil contaminat.	Combustibilul contaminat îngreunează pornirea. Evacuați combustibilul contaminat și alimentați cu combustibil curat. (Înlocuirea recomandată: 1 lună.)
	Alimentare excesivă cu combustibil.	Aduceți maneta de accelerație în poziția din mijloc sau "H" și trageți maneta sistemului de pornire până când motorul pornește. Dacă motorul nu pornește nici acum, scoateți bujia, uscați electrodul și puneți-le la loc în pozițiile inițiale. Apoi porniți motorul conform instrucțiunilor.
	Capac bujie scos.	Fixați-l bine.
	Bujie ancrasată.	Curățați-l.
	Distanță incorectă între electrozii bujiei.	Reglați distanța.
	Altă problemă a bujiei.	Înlocuiți-o.
	Carburator defectuos.	Solicitați revizia și întreținerea.
	Sfoara sistemului de pornire nu poate fi trasă.	Solicitați revizia și întreținerea.
Sistem de transmisie defectuos.	Solicitați revizia și întreținerea.	
Motorul se oprește imediat Viteza motorului nu crește	Încălzire insuficientă.	Executați încălzirea.
	Clapeta de aer este fixată la "CLOSE", deși motorul este încălzit.	Fixați-o la "OPEN".
	Filtru de combustibil înfundat.	Curățați-l.
	Filtru de aer contaminat sau înfundat.	Curățați-l.
	Carburator defectuos.	Solicitați revizia și întreținerea.
	Sistem de transmisie defectuos.	Solicitați revizia și întreținerea.

Pompa nu funcționează.	Rotor ancrasat.	Solicitați reparația acestuia centrului de service autorizat Makita din zona dumneavoastră.
Debit de pompare redus.	Prezența aerului în zona de aspirație.	Verificați conducta din zona de aspirație.
	Scăderea puterii motorului.	Solicitați reparația acestuia centrului de service autorizat Makita din zona dumneavoastră.
	Ruperea garniturii mecanice.	Înlocuiți garnitura.
	Înălțime de aspirație mare.	Reduceți înălțimea de aspirație.
	Furtun subțire, lung sau răsucit.	Folosiți un furtun mai gros, mai scurt sau drept.
	Pierderi de apă prin conducte.	Oprii pierderile.
	Corpuri străine în rotor.	Solicitați reparația acestuia centrului de service autorizat Makita din zona dumneavoastră.
	Uzura rotorului.	Solicitați reparația acestuia centrului de service autorizat Makita din zona dumneavoastră.
Pompa nu se autoamorsează.	Pătrunderea aerului în zona de aspirație.	Verificați conducta din zona de aspirație.
	Apă de amorsare insuficientă în corpul pompei.	Umpleți cu cantitatea corectă.
	Șurub de golire incorect strâns.	Strângeți complet cele două șuruburi.
	Turație incorectă a motorului.	Solicitați reparația acestuia centrului de service autorizat Makita din zona dumneavoastră.
	Pătrunderea aerului pe lângă garnitura mecanică.	Înlocuiți garnitura.

Az ábrák jelmagyarázata

1 Záródugó (feltöltés)	14 Szivatókar	27 Szívócsonc
2 Nyomócsonc	15 Berántózsínór fogantyúja	28 Szűrő
3 Szívócsonc	16 Berántószerkezet	29 Tömlő (opcionális kiegészítő)
4 Záródugó (leeresztés)	17 Nívópálca	30 Nívópálca
5 Szivattyúház	18 Tartóváz	31 Felső szint
6 Fogantyú	19 Gázkar	32 Alsó szint
7 Gyűjtőgyertyafedél	20 Tömítés	33 Tanksapka
8 Levegőszűrő	21 Tömlőcsatlakozó	34 Felső szint
9 Tanksapka	22 Szárnyas csavaranya	35 Üzemanyagtartály
10 Üzemanyagtartály	23 Tömlőszorító bilincs	36 Üzemanyagcső
11 Dúsítópumpa	24 Tömlő	
12 I-O (be/ki) kapcsoló	25 Záródugó (feltöltés)	
13 Kipufogó	26 Nyomócsonc	

Köszönjük, hogy MAKITA benzинmotoros szivattyút vásárolt. Biztos lehet benne, hogy jó döntést hozott, a MAKITA benzинmotoros szivattyú megvásárlásával, mivel ez a berendezés hosszú termékfejlesztési folyamat, valamint több évnvi megszerzett tudás és tapasztalat eredménye.

Kérjük, olvassa el ezt a tájékoztató füzetet, amely részletesen ismerteti a gép kiváló működési jellemzőit. Az ebben lévő információk hozzásegítik ahhoz, hogy a MAKITA benzинmotoros szivattyút a legnagyobb meglepődésére használhassa.

⚠ VIGYÁZAT!

• A GÉP ÜZEMELTETÉSE ELŐTT KÉRJÜK, OLVASSA VÉGIG ÉS ÉRTELMEZZE AZ EBBEN A KEZELŐI KÉZIKÖNYVBEN FOGLALTAKAT.

A következő ⚠ szimbólumok fontos biztonsági információkat jelölnek. Minden esetben tartsa be ezeket az utasításokat. A berendezés nem megfelelő használata súlyos balesethez vezethet.

⚠ VESZÉLY! Az utasítások be nem tartása halálesethez vagy súlyos sérüléshez vezethet.

⚠ VIGYÁZAT! A VIGYÁZAT! jelzéssel ellátott utasítások figyelmen kívül hagyása a gépet kezelő vagy annak környezetében tartózkodó személy, a gépet ellenőrző vagy javító személy számára halálos vagy súlyos sérülés kockázatát jelent.

⚠ FIGYELEM! A FIGYELEM! jelzés olyan speciális óvintézkedéseket jelöl, amelyeket a személyi sérülés vagy a berendezésben bekövetkező kár elkerülése érdekében meg kell tenni.

MEGJEGYZÉS: A MEGJEGYZÉS szóval jelölt információk az eljárásokat teszik egyszerűbbé és világosabbá.

SZIMBÓLUMOK

A kezelői kézikönyv olvasása közben az alábbi szimbólumokkal fog találkozni.



Olvassa el a kezelői kézikönyvet, és tartsa be a figyelmeztetéseket és biztonsági óvintézkedéseket.



Különös gondossággal és odafigyeléssel járjon el.



Soha ne üzemeltesse a motort zárt térben.



Ne érintse meg a motort, amikor az forró.



Nyílt láng használata tilos!



A motor beindítása előtt ellenőrizze az olajszintet.



CE-jelölés

BIZTONSÁGI TUDNIVALÓK

- Ez a kezelői kézikönyv a berendezés általános használatát és a vonatkozó óvintézkedéseket tárgyalja. A berendezés üzembe helyezése előtt figyelmesen olvassa át ezt a kezelői kézikönyvet, és szigorúan tartsa be a biztonsági utasításokat.
- A kezelői kézikönyvet tartsa biztonságos helyen, arra az esetre, ha később szükség lenne rá. Ha elveszne vagy megsérülne ez a kezelői kézikönyv, haladéktalanul kérjen egy másodpéldányt a Makita hivatalos szervizközpontjától.
- Ha kölcsönadja vagy odaadja valakinek a berendezést, a géppel együtt minden esetben adja át a kezelői kézikönyvet és az egyéb tájékoztató anyagokat.
- Folyamatosan zajló kutatási és fejlesztési programunk eredményeképpen fenntartjuk a jogot a dokumentumban szereplő adatok előzetes értesítés nélkül történő módosítására. Az ebben a kézikönyvben szereplő ábrák és tartalmak eltérhetnek a tényleges termék jellemzőitől.

- Ha a további részleteket illetően segítségre lenne szüksége, vegye fel a kapcsolatot a helyi márkakereskedővel vagy hivatalos Makita szervizközponttal.

A gép rendeltetés szerű használata

Ez a berendezés kizárólag locsolásra és öntözővíz szivattyúzására használható.

Ez a berendezés kizárólag tiszta víz szivattyúzására használható.

▲ VESZÉLY!

- Ne végezzen a berendezésen módosításokat és változtatásokat.
- Ne használja a berendezést a rendeltetés szerű használattól eltérő célra.
- Kizárólag eredeti, jóváhagyott cserealkatrészeket használjon karbantartáshoz és javításhoz.
- A fenti figyelmeztetések figyelmen kívül hagyása a berendezés súlyos károsodásához vagy személyi sérüléshez vezethet.

A KIPUFOGÓGÁZZAL KAPCSOLATOS ÓVINTÉZKEDÉSEK

- Soha ne lélegezze be a kipufogógázokat. A kipufogógáz-keverék – egy színtelen, szagtalan és rendkívül veszélyes gázt – szén-monoxidot tartalmaz, amelynek belégzése eszméletvesztéshez vagy halálhoz vezethet.
- Soha ne üzemeltesse a motort zárt térben vagy rosszul szellőző helyeken, például alagutakban, barlangokban stb.
- Fordítson különös figyelmet a motor üzemeltetésére, ha emberek vagy állatok tartózkodnak a közelben.
- A környezeti tárgyakat tartsa távol a kipufogócsőtől.

AZ ÜZEMANYAG-BETÖLTÉSRE VONATKOZÓ ÓVINTÉZKEDÉSEK

- Üzemanyag-betöltés előtt minden esetben állítsa le a motort.
- Ne töltse túl az üzemanyagtartályt.
- Ha kiömlik az üzemanyag, gondosan törölje le, és várjon a motor beindításával addig, amíg elpárolog a kiömlött üzemanyag maradványa.
- Üzemanyag betöltése után győződjön meg arról, hogy a tanksapka – a kiömlés megelőzése érdekében – megbízhatóan zár.

TÜZMEGELŐZÉS

- Ne használja a berendezést dohányzás közben és nyílt láng közelében.
- Ne használja a berendezést száraz bokrok, gallyak, rongyok és egyéb gyúlékony anyagok környezetében.
- Biztosítson legalább 1 méter távolságot a motor és a környező épületek, tereptárgyak között.
- Gondoskodjon arról, hogy a motor ne kerüljön gyúlékony és egyéb veszélyes anyagok (hulladék, rongyok, kenőanyagok, robbanásveszélyes anyagok) közelébe.

Csak az európai országok számára

EU-megfelelőségi nyilatkozat

Felelős gyártóként a Makita Corporation kijelenti, hogy a következő Makita gép(ek):

A gép megnevezése: Benzinmotoros szivattyú

Modellszám/típus: EW1050H, EW1060H

Műszaki adatok: lásd a "MŰSZAKI ADATOK" című táblázatot

szorozatgyártással előállított termék(ek), és

megfelel(nek) a következő európai irányelveknek:

2000/14/EC, 2006/42/EC, 2010/26/EU,

2004/108/EC, 2000/14/EC, 2005/88/EC

A gépek gyártása a következő szabványokkal és előírásokkal összhangban történik:

EN 809, EN 55012

A műszaki dokumentáció letéteményese:

Makita International Europe Ltd., Műszaki osztály,
Michigan Drive, Tongwell, Milton Keynes, Bucks
MK15 8JD, Anglia

A megfelelőségnek a 2000/14/EC jelű irányelv szerinti megállapítását az V. függelék szerint végeztük.

Mért zajszint: 100,9 dB(A)

Garantált zajszint: 109 dB(A)

31.8.2012

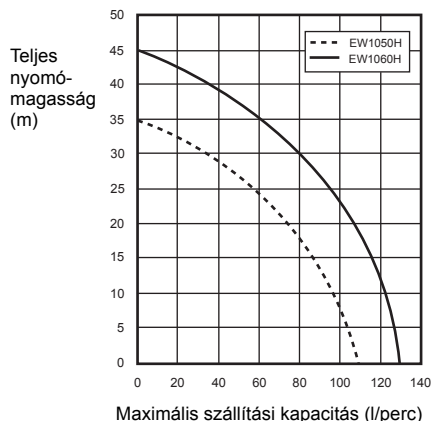


Tomoyasu Kato
Igazgató
Makita Corporation
3-11-8, Sumiyoshi-cho,
Anjo, Aichi, JAPAN

MŰSZAKI ADATOK

		EW1050H	EW1060H	
Tömeg	kg	5,8	7,3	
Méret	mm	327 x 231 x 319	356 x 234 x 336	
Típus		Önfeltöltő CENTRIFUGÁLSZIVATTYÚ		
Átmérők (szívó-/nyomócsonk)	hüvelyk	1		
Teljes nyomómagasság	m	35	45	
Maximális szállítási kapacitás	l/perc	110	130	
Maximális szívómagasság	m	8	8	
Térfogat (üzemanyagtartály)	l	0,5	0,65	
Térfogat (olajtartály)	l	0,08	0,1	
Motor-hengerűrtartalom	cm ³	24,5	33,5	
Maximális motorteljesítmény	kW	7 000 perc ⁻¹ esetében 0,71	7 000 perc ⁻¹ esetében 1,07	
Karburátor	típus	Membrános		
Gyújtásrendszer	típus	Szilárdtest-relés gyújtás		
Gyújtógyertya	típus	NGK CMR6A		
Gyertyaelektrod-hézag	mm	0,7 – 0,8		
Üzemanyag		Gépjárművekben használatos benzín		
Motorolaj		Az API-besorolásnak megfelelő, SF vagy magasabb teljesítménysztyálya sorolt (gépjárművek négyütemű motorjaihoz való) SAE 10W-30 olaj		
Alkalmazható vízhőmérséklet	°C	5 – 40	5 – 40	
Hangnyomósszint	L _{pA eq}	dB (A)	88,4	88,4
	Bizonytalansági K tényező	dB (A)	3	3
Hangteljesítményszint	L _{WA, d}	dB (A)	109	109

Megjegyzés: Az üzemeltetés során viseljen hallásvédő eszközt.



AZ ALKATRÉSZEK ELNEVEZÉSE (1. és 2. ábra)

ÖSSZESZERELÉS (3. ábra)

⚠ VIGYÁZAT!

- Mielőtt bármilyen beavatkozást végezne a berendezésen, minden esetben állítsa le a motort.
- Csak azt követően indítsa be a motort, miután teljesen összeállította a berendezést.

A TÖMLŐK FELSZERELÉSE

1. Szerelje fel a tömlőcsatlakozókat a szivattyúra.

⚠ FIGYELEM!

- A tömlőcsatlakozók felszerelésekor ügyeljen arra, hogy a tömitések a helyükön legyenek.
2. Csőbilinccsel rögzítse a tömlőket a csatlakozócsonkokon.

Ellenőrizze, hogy a csőbilincsek megfelelően szorítanak-e.

3. Csatlakoztassa a szűrőt a szívótömlő végére.

MEGJEGYZÉS:

• Ha szívószakasz nem zár légmentesen, előfordulhat, hogy a szivattyú nem képes felszívni a vizet.

⚠ FIGYELEM!

• Soha ne távolítsa el a szűrőt, mert az esetlegesen felszívott idegen anyagok károsíthatják a szivattyút. Ellenőrizze, hogy a csőbilincsek megfelelően szorítanak-e.

ÜZEMELTETÉS ELŐTTI ELLENŐRZÉSEK

⚠ VIGYÁZATI!

- Mielőtt bármilyen beavatkozást végezne a berendezésen, minden esetben állítsa le a motort. A szivattyúval kapcsolatos munkákat mindig sík és szilárd felületen végezze.
- A motor beindítását megelőzően ellenőrizze, hogy nincs-e a berendezésen meglazult csavar vagy csatlakozóelem.
- Vízszálat vagy javítás alkalmával, amíg a motor és a kipufogó forró, ügyeljen arra, hogy sem a testfelülete, sem pedig a ruházata ne érjen ezekhez a részekhez.
- Fordítson kiemelt figyelmet a légcserére. Legyen tudatában a CO-mérgezés veszélyeinek.

A MOTOROLAJ ELLENŐRZÉSE ÉS UTÁNTÖLTÉSE (4. ábra)

Lehúlt motornál hajtsa végre az alábbi eljárást.

- Gondoskodjon arról, hogy a motor vízszintes helyzetben legyen.
- Az olajsínt ellenőrzéséhez ne csavarja be a nivópálcát az olajbetöltő nyílásba.
- A nivópálcával ellenőrizze, hogy az olajsínt az alsó és a felső határ között van-e.
- Ha az olajsínt az alsó határ alatt van, töltsön be olajat.
- Körülbelül minden tizedik üzemórát (minden tizedik üzemanyag-feltöltést) követően lehet szükség olajutántöltésre.
- Ha az olaj színe megváltozik vagy az olaj szennyezetté válik, cserélje le.

Javasolt olaj: Az API-besorolásnak megfelelő, SF vagy magasabb teljesítménysztyába sorolt (gépjárművek négyütemű motorjaihoz való) SAE 10W-30 olaj

Olajmennyiség:

Az EW1050H típus esetén: kb. 0,08 l

Az EW1060H típus esetén: kb. 0,1 l

MEGJEGYZÉS:

• Ha a motor helyzete az ellenőrzéskor nem vízszintes, akkor az olajsíntjelzés pontatlan lehet, így túltöltheti az olajat. A felső jelzést meghaladó olajsínt az olaj szennyeződéséhez vagy fehér füst képződéséhez vezethet.

A motorolaj utántöltése

1. Állítsa a motort vízszintes helyzetbe, és vegye ki a nivópálcát.
2. Töltse fel az olajat a nivópálca felső jelzéséig. Használjon olajbetöltő edényt.

3. Csavarja megfelelően vissza a nivópálcát. A nem megfelelően meghúzott nivópálca olajszivárgáshoz vezethet.

Olajutántöltést követően

– Haladéktalanul törölje le egy ronggyal a kiömlött olajat.

Olajcsere: nivópálca

- Távolítsa el az olajbetöltő-nyílás környékén lévő port és szennyeződést.
- Ügyeljen arra, hogy a kivett nivópálca ne szennyeződjön homokkal vagy porral. Ellenkező esetben az olajbetöltő-sapkára tapadó homok vagy por problémákat okozhat az olajkeringésben, vagy a motoralkatrészek túlzott kopásához vezethet.

ÜZEMANYAG

⚠ VIGYÁZATI!

- Az üzemanyag rendkívül gyúlékony és mérgező anyag. Üzemanyaggal végzett műveletek során ne legyen a közelben nyílt láng (cigaretta, kályha, tűzijáték) vagy elektromos szikra (akkumulátor, rövidzárlat, zárlatos kapcsolóból származó szikra, hegesztési szikra stb.).
- Üzemanyag-betöltés előtt minden esetben állítsa le a motort. Addig ne töltsön üzemanyagot a tartályba, amíg a motor forró.
- Az üzemanyag-betöltésen kívül is, minden más alkalommal – például amikor üzemanyagot tölt át egy kisebb edénybe – fokozott odafigyeléssel dolgozzon az üzemanyaggal.
- Üzemanyag-betöltést követően szorosan zárja vissza a tanksapkát, és teljesen törölje le az esetleg kiömlött üzemanyagot.

Az üzemanyag kezelése

Az üzemanyagot a legnagyobb odafigyeléssel kell kezelni. Az üzemanyag az oldószerkezhöz hasonló anyagokat tartalmazhat. Az üzemanyag-betöltést megfelelően szellőző helyiségben vagy a szabadban kell végezni. Soha ne lélegezze be az üzemanyagot, és ne érintkezzen az üzemanyaggal. Ha a bőr ismétlődő jelleggel vagy hosszabb ideig érintkezésbe kerül az üzemanyaggal, a bőr kiszárad, ami bőrbetegséghez vagy allergiához vezethet. Ha az üzemanyag szembe kerül, tiszta vízzel mossa ki. Ha a szem irritációja ezzel nem szűnik meg, forduljon orvoshoz.

Az üzemanyag eltarthatósági ideje

Az üzemanyagot még akkor is ajánlatos felhasználni 4 héten belül, ha jól szellőző, árnyékos helyen, megfelelő tárolóedényben tartották.

Ellenkező esetben az üzemanyag akár egy nap alatt is károsodhat.

A gép és az utántöltőtartály tárolása

- A gépet és a tartályt hűvös helyen tárolja, és óvja a közvetlen napsugárzástól.
- Soha ne tárolja az üzemanyagot gépkocsiban.

Az üzemanyag típusa:

Ez egy négyütemű motor. Ügyeljen arra, hogy olmozatlan, gépjárművekben használatos, legalább 87-es oktánszámú ((R+M)/2) üzemanyagot használjon. Az üzemanyag – legfeljebb 10%-os arányban – alkoholt (E-10) is tartalmazhat.

- Soha ne használjon motorolajjal vegyített benzint (keveréket). Ellenkező esetben a motorban túlzott szénlerakódás képződik vagy mechanikus problémák jelentkeznek.

Az üzemanyagtartály térfogata:

Az EW1050H típus esetén: 0,5 l

Az EW1060H típus esetén: 0,65 l

Üzemanyag-betöltés (5. ábra)

1. Tartsa a motort vízszintes helyzetben.
2. Lazítsa meg egy kissé a tanksapkát, hogy megszűnjön a túlnyomás.
3. Vegye le a tanksapkát, és töltsen fel az üzemanyagtartályt. NE töltsen teljesen tele a tartályt.
4. Feltöltés után húzza meg alaposan a tanksapkát.
 - Törölje le a tanksapka külső felületét, nehogy szennyeződés kerüljön az üzemanyagtartályba.
 - Ha a tanksapka repedt vagy sérült, cserélje ki egy újra.
 - A tanksapka egy bizonyos idő elteltével elhasználik. Két-három évente cserélje újra.
 - NE töltsön be üzemanyagot az olajbetöltő-nyíláson keresztül.

Feltöltés vízzel (6. ábra)

⚠ FIGYELEM!

- Ne indítsa be a szivattyút anélkül, hogy víz lenne a szivattyúházban. Ellenkező esetben sérülhet a mechanikus tömítés.

Vegye le a feltöltőnyílás zárókupakját, és öntsön annyit tiszta vizet a szivattyúháza, hogy az megteljen vízzel. Feltöltés után húzza meg a feltöltőnyílás zárókupakját.

MEGJEGYZÉS:

- Ha a felszívott víz mennyisége nem elégséges, akkor a szivattyú önfeltöltési képessége kisebb lesz.
- Gondoskodjon arról, hogy a szivattyú szilárd talapzaton, és a rendelkezésre álló vízforráshoz a lehető legközelebb helyezkedjen el.
- Minél nagyobb a szívómagasság, annál több idő szükséges a feltöltődéshez kisebb vízhozam mellett.

A MOTOR ELLENŐRZÉSE:

- Gondosan ellenőrizze, hogy nem lazultak-e meg az üzemanyagotmlők és a csatlakozások, és nem tapasztalható-e üzemanyag-szivárgás. A szivárgó üzemanyag potenciális veszélyforrást jelent.
- Ellenőrizze, hogy nem lazultak-e meg a csavarok és az anyák. Szükség esetén húzza meg őket. Egy meglazult csavar vagy anya súlyos motorproblémát okozhat.
- Ellenőrizze a motorolajszintet, és szükség esetén töltsön utána.
- Ellenőrizze az üzemanyagszintet, és szükség esetén töltsön utána. Ügyeljen, nehogy túltöltsen az üzemanyagtartályt.
- Tartsa a henger hűtőbordáit és a berántószerkezetet piszkotól, fűtől és egyéb szennyeződéstől mentesen.
- A motor működtetésekor viseljen jól illeszkedő munkaruházatot.

MŰKÖDTETÉS

⚠ VIGYÁZAT!

- Soha ne érjen a motor forró kipufogójához; különösen vigyázzon erre a motor újraindításakor. A motor járattasakor a kipufogó felforrósodik.
- Amikor a szivattyú használatban van, ne nyúljon kézzel, sem idegen tárgyakkal a kioldószелеpkbe.

⚠ VIGYÁZAT!

Legyen tudatában a víz ütőerejének

- Kerülje el, hogy járművel áthajtsanak a nyomótömlőn. Ne zárja el hirtelen a nyomóági szelepet, mert ebben az esetben ütősszerű víznyomáskiugrás következhet be, amely súlyosan károsíthatja a szivattyút.

Indítás:

⚠ FIGYELEM!

- A motor beindulását követően ne pörgesse fel azonnal a motort, mivel a kenőolaj ekkor még nem oszlott szét megfelelően. A szükségtelenül magas fordulatszám lerövidíti a berendezés élettartamát és károsítja a motort.
 1. Ellenőrizze, hogy fel van-e töltve a szivattyúház vízzel.
 2. Ellenőrizze, hogy a vízszint alatt elhelyezkedő szűrő a helyén van-e.

⚠ FIGYELEM!

- Ha a víz alján sár vagy homok található, alkalmazzon ezek felszívását megakadályozó óvintézkedéseket.
 3. Ellenőrizze, hogy a nyomótömlő végén nincs-e akadálya a víz kiáramlásának.
 4. Állítsa a motor I-O (BE/KI) kapcsolóját az "I" (BE) állásba.
 5. Ellenőrizze, hogy a gázkar "L" helyzetben van-e. (7. ábra)

6. Működtesse a dúsítópumpát, amíg az üzemanyag be nem jut a pumpába. (Általában 7 – 10 nyomás.)
7. Állítsa a szivatókart a megfelelő állásba.
 - Ha a motor hideg, vagy a környezeti hőmérséklet alacsony, zárja le teljesen a szivatókart. (8. ábra)
 - Ha a motor meleg, vagy a környezeti hőmérséklet magas, nyissa ki félig vagy tartsa teljesen nyitva a szivatókart.
8. Finoman húzza maga felé a berántózsínór fogantyúját, amíg bizonyos mértékű ellenállást nem érez. Ekkor engedje vissza a fogantyút, és húzza meg erősen.
 - Soha ne húzza ki teljes hosszában a berántózsínórt.
 - A berántózsínór fogantyújának meghúzását követően soha ne engedje vissza azonnal a kezét. Fogja a berántófogantyút, amíg az vissza nem tér a kiindulási helyzetébe.
 - Ha nehéz a motor beindítása, akkor kb. 1/3-ára nyissa ki a fajtószелеpet.
9. Ha korábban lezárta a szivatókart, amint a motor beindul, állítsa a kart "OPEN" helyzetbe. (9. ábra)

10. Hagyja a motort megfelelően "bemelegedni". Folytassa a motor bemelegítését 2 – 3 percig az "L" állásban.

A motor járattása:

Állítsa a gázkart a középső állásba, és ellenőrizze, hogy jön-e víz a nyomótömlőből.

A működtetés befejezése

A motor leállítás

A gázkart az "L" helyzetbe állítva járassa a motort a legkisebb fordulatszámra.

Állítsa a motor I-O (BE/KI) kapcsolóját az "O" (KI) állásba.

A víz leeresztése használat után

A szivattyúban lévő víz télen, 0°C alatt megfagyhat, és ez a szivattyúház szétrepedéséhez vezethet. Használatot követően a szivattyú megfelelő tárolásához eressze le a vizet az alul lévő leeresztőn keresztül.

KARBANTARTÁSI UTASÍTÁSOK

⚠ VIGYÁZAT!

• Mielőtt bármilyen beavatkozást végezne a berendezésen, minden esetben állítsa le a motort. Ne végezzen semmilyen műveletet, amíg a motor forró.

⚠ FIGYELEM!

• Karbantartás során ne mossa a motort.

MOTOROLAJCSERE

⚠ VIGYÁZAT!

• A motor leállítását követően közvetlenül még forró a motor és a motorolaj. Hagyjon elegendő időt, hogy lehűljön a motor és a motorolaj. Ellenkező esetben égési sérülés következhet be.

⚠ FIGYELEM!

• Olajcsere előtt gondoskodjon előre a fárdát olaj megfelelő elhelyezési lehetőségéről. Ne öntse a fárdát olajat szennyvízhálózatba, talajra vagy felszíni vízfolyásokba. A használat helyén érvényben lévő környezetvédelmi előírások részletesebb utasításokat fogalmaznak meg a megfelelő ártalmatlanítást illetően. Az elhasznált motorolaj lerövidíti a motor élettartamát. Rendszeresen ellenőrizze az olaj minőségét és az olajszintet.

MEGJEGYZÉS:

• Ha a megengedett szintnél több olajat tölt be, az olaj szennyeződhet vagy fehér füstöt képezve elég. Az olajszint pontos megállapítása érdekében a motor leállítását követően hagyjon elég időt arra, hogy a motorolaj visszafolyjon az olajtökhöz.

Az olajcsere gyakorisága: Az első 20 üzemórát követően, majd ezt követően 50 üzemóránként.

Javasolt olaj: Az API-besorolásnak megfelelő, SF vagy magasabb teljesítményosztályba sorolt (gépjárművek négyütemű motorjaihoz való) SAE 10W-30 olaj

Olajmennyiség:

Az EW1050H típus esetén: kb. 0,08 l

Az EW1060H típus esetén: kb. 0,1 l

1. Vegye ki a nivópalcát. (10. ábra)

Figyeljen arra, hogy a nivópalcát olyan helyre tegye le, ahol nem szennyeződik porral, piszokkal és idegen anyagokkal.

2. Helyezzen rongyot vagy papírtörölt az olajbetöltő nyílás kéré.

3. Vegye ki a nivópalcát, majd döntse meg a motort, és öntse ki az olajat egy tálcára vagy más gyűjtőedénybe.

4. Helyezze a berendezést sík felületre. Töltse bele az új olajat egy összenyomható flakonból vagy más megfelelő edényből. Annyi olajat töltsön bele, hogy az olaj szintje épp a betöltőnyílás pereméig érjen. (4. ábra)

5. Miután feltöltötte a motort az új olajjal, helyezze vissza a nivópalcát. Ellenőrizze, hogy a nivópálca szorosan illeszkedik-e, mert ha később meglazul, az olaj szivárogni fog.

A GYÚJTÓGYERTYA ELLENŐRZÉSE (11. ábra)

⚠ FIGYELEM!

• Soha ne érjen a gyertyapipához, miközben jár a motor (nagy feszültségű áramütés veszélye áll fenn).

A tisztítás és ellenőrzés gyakorisága: naponta (10 üzemóránként)

- A gyújtógyertya ki- és beszerelésére kizárólag a mellékelt univerzális kulcsot használja.
- A gyújtógyertya két elektródja közötti hézagnak 0,7 és 0,8 mm között kell lenni.

Ha a hézag túlságosan nagy vagy túl kicsi, módosítsa megfelelően. Ha a gyújtógyertya elszennyeződött, vagy lerakódás látható rajta, tisztítsa meg alaposan, vagy cserélje ki.

A LEVEGŐSZŰRŐ TISZTÍTÁSA (12. ábra)

⚠ VIGYÁZAT!

• Állítsa le a motort. Ne legyen a közelben nyílt láng. A szennyezett levegőszűrő-betét indítási nehézségeket, teljesítményromlást, rendellenes motorműködést okoz, és rendkívüli módon lerövidíti a motor élettartamát. Tartsa tisztán a levegőszűrő-betétet.

A tisztítás és ellenőrzés gyakorisága: naponta (10 üzemóránként)

1. Állítsa a szívatókart a teljesen zárt állásba, hogy ne kerülhessen por vagy piszok a karburátorba.
2. Vegye ki a levegőszűrő-fedél rögzítőcsavarját.
3. A levegőszűrő-fedél levételéhez húzza kifelé a fedél alsó élét.
4. Vegye ki a szűrőbetétet, majd tisztítsa meg meleg víz és enyhe tisztítószert oldatában, azután szárítsa meg alaposan.
5. Visszaszerelésekor az ábrán látható módon igazítsa egymáshoz a vonalakat.
6. Egy ronggyal törölje le a levegőszűrő-fedél és a szívócső környékén megtapadt olajszennyeződést.
7. Tisztítás után szerelje vissza a levegőszűrő-fedelet (először a felül lévő fület illessze a helyére, majd ezt követően az alsót), és húzza meg a rögzítőcsavart.

AZ ÜZEMANYAGSZŰRŐ TISZTÍTÁSA

⚠ VIGYÁZAT!

• Állítsa le a motort. Ne legyen a közelben nyílt láng. A művelet közben ne dohányozzon.

A tisztítás és ellenőrzés gyakorisága: havonta (50 üzemóránként)

Az üzemanyagszűrő a karburátorba menő üzemanyag szűrésére szolgál. Megfelelő rendszerességgel szemrevételezéssel kell ellenőrizni az üzemanyagszűrő állapotát.

1. Vegye le a tanksapkát, és egy huzalból készített horoggal húzza ki a szívófejet a betöltőnyíláson keresztül.
2. Vegye le a csőbilincset, és húzza ki az üzemanyagszűrőt az üzemanyagcsőből.
3. Petróleumban mossa ki az üzemanyagszűrőt.
4. Átmosás után szerelje vissza.
5. Ha a szűrő kemény vagy eltömődött, cserélje ki egy újra.

Legalább negyedévente cserélje ki az üzemanyagszűrőt, hogy biztosított legyen a karburátor megfelelő üzemanyag-ellátása. Ellenkező esetben a nem megfelelő üzemanyag-ellátás indítási nehézségeket és a maximális fordulatszám csökkenését okozza.

Ellenőrzést, tisztítást vagy cserét követően a csőbilincssel rögzítse az üzemanyagszűrőt az üzemanyagcsőhöz.

Tolja le az üzemanyagszűrőt egészen az üzemanyagtartály aljára. (13. ábra)

AZ ÜZEMANYAGCSŐ CSERÉJE (14. ábra)

⚠ VIGYÁZAT!

- Állítsa le a motort. Ne legyen a közelben nyílt láng.

A tisztítás és ellenőrzés gyakorisága: naponta (10 üzemóránként)

Csere: évente (200 üzemóránként)

Minden évben cserélje ki az üzemanyagsövet, függetlenül a berendezés működtetésének gyakoriságától. Az üzemanyag-szivárgás tűz keletkezéséhez vezethet.

Ha az üzemanyagső vizsgálatakor bárminemű szivárgást észlel, haladéktalanul cserélje ki az üzemanyagsövet.

Időszakos karbantartási ütemterv

Üzemidő / Szerkezeti egység		Működtetés előtt	Naponta (10 üzemóra)	50 üzemóra	200 üzemóra	Tárolásra való előkészítéskor
Motorolaj	Ellenőrzés/feltöltés	○				
	Csere			○*1		
Kötőelemek (csavar, anya)	Ellenőrzés	○				
Üzemanyagtartály	Tisztítás/ellenőrzés	○				
	Üzemanyag leeresztése					○
Gázkar	Működés ellenőrzése	○				
I-O (BE/KI) kapcsoló	Működés ellenőrzése	○				
Levegőszűrő	Tisztítás		○			
Gyűjtőgyertya	Ellenőrzés		○			
	Tisztítás/beállítás				○	
Hűtőlevegő-csatorna és hűtőbordák	Tisztítás/ellenőrzés		○			
Üzemanyagső	Ellenőrzés		○			
	Csere				◎*2	
Üzemanyagszűrő	Tisztítás/csere			○		
Szelephézag (szívó- és kipufogószelep)	Ellenőrzés/beállítás				◎*2	
Motor generáljavítása, ha szükséges					◎*2	
Karburátor	Üzemanyag leeresztése					○
Szivattyúegység	Tisztítás		○			
Szűrő	Ellenőrzés/tisztítás	○				

*1 Az első csere 20 üzemóra után esedékes.

Olajcsere előtt gondoskodjon előre a fáradt olaj megfelelő elhelyezési lehetőségéről. Ne öntse a fáradt olajat szennyvízhálózatba, talajra vagy felszíni vízfolyásokba. A használat helyén érvényben lévő környezetvédelmi előírások részletesebb utasításokat fogalmaznak meg a megfelelő ártalmatlanítást illetően.

*2 A 200 üzemóránál esedékes átvizsgálást hivatalos szervizközpontban végeztesse.

A CSAVAROK, ANYÁK ÉS LEMEZCSAVAROK ELLENŐRZÉSE

- Húzza meg a meglazult csavarokat, anyákat stb.
- Ellenőrizze, hogy a tanksapka és az olajbetöltő-nyílás sapkája megfelelően szorosan zár-e. Ellenőrizze, hogy nem tapasztalható-e üzemanyag- vagy olajszivárgás.
- A biztonságos működés érdekében a sérült alkatrészeket cserélje ki újakra.

A RÉSZEGYSÉGEK TISZTÍTÁSA

- Rongy segítségével mindig tartsa tisztán a motort.
- A henger hűtőbordái mindig legyenek tiszták, pormentesek. A bordákra tapadt por és piszok a dugattyú megszorulását okozhatja.

TÁROLÁS

⚠ VIGYÁZAT!

- Az üzemanyag leengedése előtt állítsa le a motort, és várja meg amíg lehűl.
Közvetlenül a motor leállítása után az üzemanyag még forró lehet, tüzet vagy égési sérüléseket okozhat.

⚠ FIGYELEM!

- Ha a berendezés huzamosabb ideig használaton kívül van, engedje le az összes üzemanyagot az üzemanyagtartályból, és tartsa száraz, tiszta helyen.

Tárolásra való előkészítéskor

1. Engedje le az összes vizet a leeresztőnyíláson keresztül.
2. Finoman húzza meg a motoron lévő berántózsínór fogantyúját, amíg ellenállást nem érez.
3. Az üzemanyagnak a tartályból való eltávolítását követően addig nyomkodja a dúsítópumpát, amíg benzincsővekben lévő üzemanyag ki nem ürül. Távolítsa el még egyszer az üzemanyagot a szivattyúból.
4. Állítsa a gázkart az "L" állásba.
5. Töröljön le minden port és piszkot.
6. A szivattyút száraz, meleg helyen tárolja, ahol nincs fagyveszély.

Szállítás

A gép emelésekor és szállításakor tartsa a fogantyút mindkét kezével szilárdan.

HIBAEELHÁRÍTÁS

Mielőtt szakemberhez fordulna javításért, próbálja saját maga megkeresni a hibát. Ha bármilyen rendellenességet tapasztal, a kézikönyvben olvasható iránymutatások szerint járjon el. A gép részegységeit soha ne módosítsa vagy szerelje le, ha az ellentétes a leírásban foglaltakkal. Javítást kizárólag hivatalos szervizközpontban végeztesen.

Jelenség	Ok	Megoldás
A motor nem indul.	Nem használta a dúsítópumpát.	Nyomja meg 7 – 10 alkalommal.
	Nem elég dinamikusán húzta meg a berántózsínór.	Erősen rántsa meg.
	Nincs üzemanyag a tartályban.	Töltsön be üzemanyagot.
	Eltömődött az üzemanyagszűrő.	Tisztítsa ki.
	Levált az üzemanyagcső.	Csatlakoztassa megfelelően az üzemanyagcsövet.
	Meghajlott az üzemanyagcső.	Egyenesítse ki az üzemanyagcsövet.
	Rossz minőségű az üzemanyag.	A rossz minőségű üzemanyag nehezíti az indítást. Cserélje ki új üzemanyagra. (A cserre javasolt gyakorisága: 1 hónap).
	Túl nagy mennyiségű üzemanyag beszívása.	Állítsa a gázkart a középső vagy a "H" állásba, majd húzza meg többször a berántózsínór fogantyúját, mindaddig, amíg be nem indul a motor. Ha a motor még mindig nem indul, vegye ki a gyújtógyertyát, szárítsa meg az elektródot, majd szereljen vissza mindent az eredeti helyzetben. Ezt követően végezze el az indítást az előírt módon.
	Lelazult a gyertyapipa.	Rögzítse vissza megfelelően.
	Elszennyeződött a gyújtógyertya.	Tisztítsa ki.
	Nem megfelelő a gyújtógyertya elektródhézagja.	Állítsa be a hézagot.
	A gyújtógyertya egyéb meghibásodása.	Cserélje ki.
	Hibás a karburátor.	Jelezze ellenőrzési és karbantartási igényét.
A berántózsínór nem húzható meg.	Jelezze ellenőrzési és karbantartási igényét.	
Hibás zsinórvezető rendszer.	Jelezze ellenőrzési és karbantartási igényét.	

A motor hamar leáll. A motor fordulatszáma nem növelhető.	Elégtelen bemelegítés.	Melegítse be a motort.
	A szivatókar "CLOSE" állásban van, bár a motor már meleg.	Állítsa az "OPEN" helyzetbe.
	Eltömődött az üzemanyagszűrő.	Tisztítsa ki.
	Elszennyeződött vagy eltömődött a levegőszűrő.	Tisztítsa ki.
	Hibás a karburátor.	Jelezzze ellenőrzési és karbantartási igényét.
	Hibás zsinórvezető rendszer.	Jelezzze ellenőrzési és karbantartási igényét.
A szivattyú nem működik.	A járókerék beragadt.	Kérje fel a helyileg illetékes, hivatalos Makita szervizközpontot a javításra.
A szivattyú szállítási kapacitása kicsi.	Levegő jut be a szívóoldalon.	Ellenőrizze a szívóoldali csővezetékét.
	A motor teljesítménye lecsökken.	Kérje fel a helyileg illetékes, hivatalos Makita szervizközpontot a javításra.
	Elszakadt a mechanikus tömítés.	Cserélje ki a tömítést.
	Túl nagy a szívómagasság.	Csökkentse a szívómagasságot.
	Túl vékony, túl hosszú vagy megtört a tömlő.	Használjon nagyobb átmérőjű vagy rövidebb tömlőt, vagy egyenesítse ki.
	Víz szivárog a járatokból.	Szüntesse meg a szivárgást.
	Idegen anyag tömíti el a járókerék útját.	Kérje fel a helyileg illetékes, hivatalos Makita szervizközpontot a javításra.
	A járókerék megkopott.	Kérje fel a helyileg illetékes, hivatalos Makita szervizközpontot a javításra.
A szivattyú nem tölti fel magát vízzel.	Levegő jut be a szívóoldalon.	Ellenőrizze a szívóoldali csővezetékét.
	Nem elegendő a feltöltővíz mennyisége a szivattyúházban.	Töltse fel teljesen.
	Nincs megfelelően meghúzva a leeresztőcsap.	Húzza meg teljesen a 2 csavart.
	A motor fordulatszáma nem megfelelő.	Kérje fel a helyileg illetékes, hivatalos Makita szervizközpontot a javításra.
	Levegő jut be a mechanikus tömítés felől.	Cserélje ki a tömítést.

Popis celkového pohľadu

1 Uzáver (napúšťanie)	14 Ovládač sýtiča	27 Satie
2 Vývod	15 Rukoväť štartéra	28 Filter
3 Satie	16 Navíjací štartér	29 Hadica (voliteľné príslušenstvo)
4 Uzáver (odtok)	17 Odmerka oleja	30 Odmerka oleja
5 Skriňa čerpadla	18 Základňa zariadenia	31 Horná hladina
6 Rukoväť	19 Ovládač plynu	32 Dolná hladina
7 Kryt zapaľovacej sviečky	20 Tesnenie	33 Uzáver palivovej nádrže
8 Čistič vzduchu	21 Hadicová spojka	34 Horná hladina
9 Uzáver nádrže	22 Krídlová matica	35 Palivová nádrž
10 Palivová nádrž	23 Hadicová spona	36 Palivové potrubie
11 Napúšťacie čerpadlo	24 Hadica	
12 Vypínač I-O (zapnutie/vypnutie)	25 Uzáver (napúšťanie)	
13 Tlmič výfuku	26 Vývod	

Ďakujeme vám za zakúpenie motorového čerpadla MAKITA. Je nám potešením odporučiť vám motorové čerpadlo MAKITA, ktoré je výsledkom programu dlhodobého vývoja a mnohých rokov získavania znalostí a skúseností.

Prečítajte si, prosím, túto brožúru obsahujúcu rôzne podrobné uvedené body, ktoré poukazujú na vynikajúce vlastnosti tohto čerpadla. Pomôže vám získať čo najlepšie výsledky od vášho motorového čerpadla MAKITA.

SYMBOLY

Pri čítaní tohto návodu na obsluhu sa stretnete s nasledujúcimi symbolmi.



Prečítajte si návod na obsluhu a dodržiavajte výstrahy a bezpečnostné pokyny.



Buďte obzvlášť opatrní a venujte osobitnú pozornosť.



Nikdy nepoužívajte motor vo vnútornom prostredí.



Nedotýkajte sa motora, keď je horúci.



Nemanipulujte s otvoreným ohňom!



Pred naštartovaním skontrolujte hladinu oleja.



Značka CE

⚠ VÝSTRAHA:

- PRED POUŽITÍM TOHTO STROJA SI PREČÍTAJTE A POROZUMEJTE TOMUTO NÁVODU.

Nasledujúce označenia ⚠ predstavujú dôležité bezpečnostné informácie. Vždy dodržiavajte tieto pokyny. Nesprávne použitie tohto zariadenia môže viesť k vážnym nehodám.

⚠ **NEBEZPEČENSTVO:** Nedodržanie pokynov môže viesť k usmrteniu alebo vážnemu zraneniu.

⚠ **VÝSTRAHA:** Nedodržanie pokynov VÝSTRAHY môže viesť k vážnemu zraneniu alebo usmrteniu obsluhy stroja, okolostojacích osôb alebo osoby, ktorá vykonáva kontrolu alebo opravu stroja.

⚠ **POZOR:** POZOR naznačuje osobitné opatrenia, ktoré sa musia vykonať, aby nedošlo k zraneniu osôb alebo poškodeniu stroja.

POZNÁMKA: POZNÁMKA poskytuje kľúčové informácie na uľahčenie alebo objasnenie jednotlivých postupov.

BEZPEČNOSTNÉ POKYNY

- V tomto návode na obsluhu sú vysvetlené všeobecné používanie a opatrenia týkajúce sa tohto zariadenia. Pred uvedením tohto zariadenia do prevádzky si pozorne prečítajte tento návod na obsluhu. A prísne dodržiavajte bezpečnostné predpisy.
- Uchovajte tento návod na obsluhu na bezpečnom mieste pre potreby v budúcnosti. V prípade straty alebo poškodenia tohto návodu na obsluhu požiadajte autorizované servisné stredisko spoločnosti Makita o okamžitú náhradu.
- Keď požiachiavate alebo dávate toto zariadenie iným osobám, vždy spolu so zariadením odovzdajte aj tento návod na obsluhu a ostatné informačné materiály.
- Vďaka nášmu nepretržitému programu výskumu a vývoja podliehajú technické parametre výrobku zmenám bez upozornenia. Obrázky alebo obsah tohto návodu sa môžu od skutočného výrobku líšiť.
- Ak potrebujete akúkoľvek pomoc ohľadom ďalších podrobností, obráťte sa na svojho miestneho predajcu alebo autorizované servisné stredisko spoločnosti Makita.

Určenie použitia tohto stroja

Toto zariadenie je určené len na polievanie a zavlažovanie vodou.

Toto zariadenie sa používa len na čerpanie čistej vody.

⚠ NEBEZPEČENSTVO:

- Nevykonávajte úpravy ani obmeny na tomto zariadení.
- Nepoužívajte toto zariadenie na iný ako určený účel.
- Na údržbu a opravu používajte len originálne, schválené náhradné diely.
- Nedodržanie vyššie uvedených výstrah môže zapríčiniť vážne poškodenie zariadenia alebo zranenie osôb.

OPATRENIA TÝKAJÚCE SA VÝFUKOVÝCH PLYNOV

- Nikdy nevdychujte výfukové plyny. Obsahujú oxid uhoľnatý, mimoriadne nebezpečný plyn bez farby a zápachu, ktorý môže spôsobiť upadnutie do bezvedomia alebo smrť.
- Nikdy nepoužívajte motor vo vnútornom prostredí ani na nedostatočne vetranom mieste, ako je tunel, jaskyňa, atď.
- Buďte mimoriadne opatrní, keď používate motor blízko ľudí alebo zvierat.
- Dbajte na to, aby sa do výfukového potrubia nedostali žiadne cudzie predmety.

OPATRENIA TÝKAJÚCE SA DOPŔŇANIA PALIVA

- Pred doplnením paliva vypnite motor.
- Palivovú nádrž nepreplňajte.
- Ak dôjde k rozliatiu paliva, opatrne ho poutierajte a pred tým, ako naštartujete motor, počkajte, kým palivo nevyschne.
- Po doplnení paliva sa uistite, že je palivový uzáver zaistený, aby nedošlo k vyliatiu paliva.

PROTIPOŽIARNA OCHRANA

- Nepoužívajte zariadenie počas fajčenia ani v blízkosti otvoreného plameňa.
- Nepoužívajte zariadenie v okolí suchých kríkov, konárov, textilných materiálov ani iných horľavých materiálov.
- Motor uchovávajte vo vzdialenosti minimálne 1 meter od budov alebo iných konštrukcií.
- Motor uchovávajte mimo horľavých a iných nebezpečných materiálov (odpadky, handry, mazivá, výbušniny).

Len pre európske krajiny

Vyhlasenie o zhode v rámci ES

My, Makita Corporation, ako zodpovedný výrobca, týmto vyhlasujeme, že nasledujúce strojové zariadenie(ia) značky Makita:

Opis strojového zariadenia: Motorové čerpadlo
Č. modelu/ Typ: EW1050H, EW1060H
Technické údaje: pozri tabuľku "TECHNICKÉ ÚDAJE"

pochádza zo sériovej výroby a

Splňa požiadavky nasledujúcich európskych smerníc:

2000/14/EC, 2006/42/EC, 2010/26/EU,
2004/108/EC, 2000/14/EC, 2005/88/EC

A je vyrobené v súlade s nasledujúcimi normami alebo štandardizovanými dokumentmi:

EN 809, EN 55012

Technickú dokumentáciu uchováva:

Makita International Europe Ltd., Technické oddelenie,
Michigan Drive, Tongwell, Milton Keynes, Bucks
MK15 8JD, Anglicko

Proces stanovenia zhody požadovaný Smernicou 2000/14/EC sa vykonal v súlade s prílohou V.

Nameraná hladina akustického tlaku: 100,9 dB(A)
Zaručená hladina akustického tlaku: 109 dB(A)

31.8.2012



Tomoyasu Kato
Riaditeľ
Makita Corporation
3-11-8, Sumiyoshi-cho,
Anjo, Aichi, JAPAN

TECHNICKÉ ÚDAJE

		EW1050H	EW1060H	
Hmotnosť	kg	5,8	7,3	
Rozmery	mm	327 x 231 x 319	356 x 234 x 336	
Typ		Samonasávacie ODSŤREDIVÉ ČERPADLO		
Priemery (sanie-výstup)	palec	1		
Celkový spád	m	35	45	
Maximálny dodávaný objem	l/min	110	130	
Maximálna sacia výška	m	8	8	
Objem (palivová nádrž)	l	0,5	0,65	
Objem (olejová nádrž)	l	0,08	0,1	
Zdvihový objem motora	cm ³	24,5	33,5	
Maximálny výkon motora	kW	0,71 pri 7 000 min ⁻¹	1,07 pri 7 000 min ⁻¹	
Karburátor	typ	Bezplavkový		
Zapaľovanie	typ	Tranzistorové zapaľovanie		
Zapaľovacia sviečka	typ	NGK CMR6A		
Vzdialenosť elektród	mm	0,7 – 0,8		
Palivo		Automobilový benzín		
Motorový olej		Olej SAE 10W-30 klasifikácie API, triedy SF alebo vyššej (4-taktový motor pre automobil)		
Vyhovujúca teplota vody	°C	5 – 40	5 – 40	
Hladina akustického tlaku	L _{PA eq}	dB (A)	88,4	88,4
	Neurčitost' K	dB (A)	3	3
Hladina akustického výkonu	L _{WA, d}	dB (A)	109	109

Poznámka: Počas obsluhy používajte ochranu sluchu.

POPIS JEDNOTLIVÝCH ČASTÍ (Obr. 1 a 2)

ZOSTAVA (Obr. 3)

⚠ VÝSTRAHA:

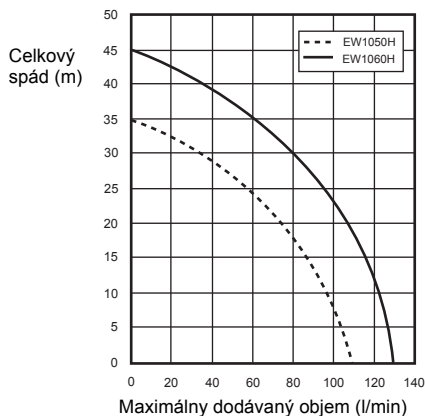
- Pred vykonávaním akejkoľvek práce na tomto zariadení vždy vypnite motor.
- Motor naštartujte až po úplnom zostavení zariadenia.

MONTÁŽ HADICE

1. Namontujte hadicové spojky na čerpadlo.

⚠ POZOR:

- Pri montáži spojky na čerpadlo sa uistite, že je tesnenie na mieste.
2. Hadice pripojte k spojkám pomocou spŕn. Skontrolujte, či je hadicová spona bezpečne pritiahnutá.
 3. Pripojte filter k prívodnému koncu hadice.



POZNÁMKA:

- Ak uniká vzduch, voda sa nemôže načerpávať.

⚠ POZOR:

- Neodstraňujte filter, pretože v opačnom prípade by mohlo dôjsť k poškodeniu čerpadla cudzím materiálom. Skontrolujte, či je hadicová spona bezpečne pritiahnutá.

KONTROLA PRED POUŽITÍM

⚠ VÝSTRAHA:

- Pred vykonávaním akejkoľvek práce na tomto zariadení vždy vypnite motor. Prácu vykonávajte vždy na rovnom a stabilnom povrchu.
- Pred naštartovaním motora skontrolujte, či nie sú uvoľnené skrutky alebo spojovacie časti.
- Dávajte pozor, aby ste sa nedotkli motora a tmiča výfuku akoukoľvek časťou tela alebo oblečenia počas kontroly alebo opravy, pokiaľ sú ešte horúce.
- Venujte osobitnú pozornosť vetraníu. Majte na mysli možnosť otravy oxidom uhoľnatým.

KONTROLA A DOPLNENIE MOTOROVÉHO OLEJA (Obr. 4)

Vykonajte nasledujúci postup s vychladeným motorom.

- Zabezpečte, aby bol motor v horizontálnej polohe.
- Nevkladajte odmerku oleja do olejového filtra na kontrolu hladiny oleja.
- Skontrolujte, či je hladina oleja medzi dolnou a hornou ryskou na odmerke oleja.
- Ak je hladina oleja pod spodnou ryskou, pridajte olej.
- Je možné, že bude potrebné doplniť olej približne každých 10 prevádzkových hodín (každých 10 doplnení paliva).
- Ak sa farba oleja zmení alebo sa olej zmieša s nečistotou, vymeňte ho za nový.

Odporúčany olej: Olej SAE 10W-30 klasifikácie API, triedy SF alebo vyššej (4-taktový motor pre automobil)

Objem oleja:

Pre model EW1050H: Približne 0,08 l

Pre model EW1060H: Približne 0,1 l

POZNÁMKA:

- Ak nie je motor umiestnený v horizontálnej polohe, môže dôjsť k nepresnej indikácii hladiny oleja, pričom môže dôjsť k doplneniu nadmerného množstva oleja. Naplnenie oleja nad horný limit môže spôsobiť znečistenie oleja alebo biely dym.

Doplnenie motorového oleja

1. Uložte motor do horizontálnej polohy a odmontujte odmerku oleja.
2. Doplnite olej až po hornú rysku. Pri dopĺňaní použite olejovú fľašu.
3. Bezpečne pritiahnite odmerku oleja. Nedostatočné pritiahnutie môže spôsobiť unikanie oleja.

Po doplnení oleja

- Ihneď poutierajte handričkou akýkoľvek rozliaty olej.

Výmena oleja: Odmerka oleja

- Odstráňte prach alebo nečistotu blízko otvoru na dopĺňanie oleja.

- Odmontovanú odmerku oleja uchovávajte mimo piesku alebo prachu. V opačnom prípade môže piesok alebo prach prilepený k olejovému uzáveru viesť k problémom s nepravidelnou cirkuláciou oleja alebo k opotrebovaniu častí motora.

PALIVO

⚠ VÝSTRAHA:

- Palivo je vysoko horľavé a jedovaté. Pri manipulácii s palivom sa nepribližujte k otvoreným plameňom (cigareta, sporák, ohňostroji), elektrickým iskrám (batéria, skrat, iskry zo skratovaného spínača, zvärací oblúk atď.)
- Pred dopĺňaním paliva vypnite motor. Palivo nedopĺňajte, keď je motor ešte stále horúci.
- Aj pri inej činnosti ako dopĺňaní paliva, dokonca pri prelievaní paliva do menšej nádoby, buďte vždy maximálne opatrní.
- Po doplnení paliva bezpečne pritiahnite uzáver palivovej nádrže a úplne poutierajte rozliate palivo.

Manipulácia s palivom

S palivom sa musí zaobchádzať s maximálnou opatrnosťou. Palivo môže obsahovať látky podobné rozpúšťadlám. Dopĺňanie paliva sa musí vykonávať v dostatočne vetranej miestnosti alebo na otvorenom priestranstve. Nikdy nevdychujte výpary paliva a nepribližujte sa k palivu. Ak sa budete opakovane alebo dlhodobo dotýkať paliva, pokožka sa vysuší, čo môže spôsobiť ochorenie alebo alergiu pokožky. Ak sa palivo dostane do očí, vyčistite oči istou vodou. Ak oči zostanú aj naďalej podráždené, vyhľadajte lekársku pomoc.

Doba skladovania paliva

Palivo by sa malo spotrebovať do 4 týždňov, aj keď sa skladovalo v špeciálnej nádobe na dostatočne vetranom a zatienenom mieste.

V opačnom prípade môže dôjsť k znehodnoteniu paliva za jeden deň.

Skladovanie stroja a nádoby na doplnenie paliva

- Stroj a nádobu uchovávajte na chladnom mieste mimo pôsobenia priameho slnečného svetla.
- Nikdy neuchovávajte palivo v aute.

Typ paliva:

Tento motor je štvortaktový. Používajte bezolovnatý automobilový benzín s oktánovým číslom 87 alebo vyšším ((R+M)/2). Nesmie obsahovať viac ako 10% alkoholu (E-10).

- Nikdy nepoužívajte benzínovú zmes s obsahom motorového oleja. V opačnom prípade to spôsobí nadmerné hromadenie uhlíka alebo mechanické problémy.

Objem palivovej nádrže:

Pre model EW1050H: 0,5 l

Pre model EW1060H: 0,65 l

Dopĺňanie paliva (Obr. 5)

1. Motor uchovávajte v horizontálnej polohe.
 2. Trochu uvoľnite uzáver palivovej nádrže, aby sa uvoľnil tlak v nádrži.
 3. Odoberte uzáver palivovej nádrže a doplnite palivo. **NEDOPŔŇAJTE** palivo až po horný okraj nádrže.
 4. Po doplnení paliva bezpečne pritiahnite uzáver palivovej nádrže.
- Poutierajte vonkajšiu časť uzáveru palivovej nádrže, aby sa do palivovej nádrže nedostali malé úlomky.

- Ak je na uzávere palivovej nádrže nejaká chyba, alebo je poškodený, vymeňte ho.
- Časom sa uzáver palivovej nádrže opotrebuje. Vymieňajte ho každé dva až tri roky.
- NENALIEVAJTE palivo do otvoru na dopĺňanie oleja.

Napúšťanie vody (Obr. 2)

⚠ POZOR:

- Nespúšťajte čerpadlo bez vody v skriňi čerpadla. V opačnom prípade by mohlo dôjsť k poškodeniu mechanického tesnenia.

Odstráňte napúšťací uzáver a pridávajte čistú vodu dovtedy, kým sa skriňa čerpadla naplní vodou. Po naplnení pritiahnite napúšťací uzáver.

POZNÁMKA:

- Ak je prívod vody nedostatočný, výkon samonasávania sa zníži.
- Zabezpečte, aby bolo čerpadlo umiestnené na pevnom povrchu a čo najbližšie k zdroju vody.
- Čím vyšší je sací spád, tým viac času sa bude vyžadovať na napustenie s menším výstupným výkonom.

KONTROLA MOTORA:

- Starostlivo skontrolujte palivové hadice a spoje, či nie sú uvoľnené a či nedochádza k úniku paliva. Uniknuté palivo predstavuje potenciálne nebezpečnú situáciu.
- Skontrolujte, či nie sú uvoľnené skrutky a matice. Ak áno, pritiahnite ich. Uvoľnená skrutka alebo matica môže spôsobiť vážny problém s motorom.
- Skontrolujte motorový olej a doplňte ho, ak je to potrebné.
- Skontrolujte stav paliva a doplňte palivo, ak je to potrebné. Dávajte pozor, aby ste nepreplnili nádrž.
- Dbajte na to, aby sa do rebier valca a navijacieho štartéra nedostali nečistota, tráva a malé úlomky.
- Pri používaní motora noste priliehavé pracovné oblečenie.

PREVÁDZKA

⚠ VÝSTRAHA:

- Nikdy sa nedotýkajte horúceho tlmíča výfuku motora, hlavne pri reštartovaní motora. Po činnosti motora sa tlmíč výfuku motora zahreje na vysokú teplotu.
- Nekladte ruky ani cudzie predmety do odľahčovacích ventilov, keď sa používa čerpadlo.

⚠ VÝSTRAHA:

Majte na pamäti účinky vodných úderov

- Dbajte na to, aby koleso vozidla neprešlo cez postrekovacia hadicu. Neuzatvárajte náhle dodávaci ventil, pretože sa vyskytne vodný úder, ktorý môže viesť k vážnemu poškodeniu čerpadla.

Štartovanie:

⚠ POZOR:

- Keďže sa mazací olej ešte dostatočne nerozšíril, neuvádzajte motor do vysokých otáčok bezprostredne po naštartovaní motora. Zbytočné zvyšovanie otáčok skráti životnosť zariadenia alebo spôsobí poškodenie.

1. Skontrolujte, či je skriňa čerpadla naplnená vodou.

2. Skontrolujte, či je filter nastavený pod vodou.

⚠ POZOR:

- Použite nejaký spôsob ochrany, keď sa na dne vody nachádza blato alebo piesok.

3. Skontrolujte, či sa v ústí postrekovacej hadice nenachádza nejaká prekážka.

4. Vypínač motora I-O (zapnutie/vypnutie) prepnite do polohy "I" (zapnutie).

5. Skontrolujte, či ovládač plynu ukazuje "L". **(Obr. 7)**

6. Stláčajte napúšťacie čerpadlo dovtedy, kým sa doň nedostane palivo. (Vo všeobecnosti 7 až 10 stlačení.)

7. Nastavte ovládač sýtiča.

- Ak je motor studený alebo je teplota okolia nízka, úplne zatvorte ovládač sýtiča. **(Obr. 8)**

- Ak je motor teplý alebo je teplota okolia vysoká, otvorte ovládač sýtiča do polovice, alebo ho nechajte úplne otvorený.

8. Jemne ťahajte rukoväť štartéra dovtedy, kým nepocítite určitý odpor. Potom vráťte rukoväť štartéra do pôvodnej polohy a silno ju potiahnite.

Nikdy nevyťahujte lanko na celú dĺžku.

Po potiahnutí rukoväte štartéra nikdy neuvolňujte ruku okamžite. Držte rukoväť štartéra dovtedy, kým sa nevráti do svojej pôvodnej polohy.

Pokiaľ je ťažké naštartovať motor, otvorte škrtiacu klapku o asi 1/3.

9. Hneď po naštartovaní motora nastavte ovládač sýtiča do polohy OPEN (Otvorený), ak ste ovládač sýtiča zatvorili. **(Obr. 9)**

10. Nechajte motor, aby sa "zahrial" na správnu teplotu. Pokračujte v procese zahrievania 2 až 3 minúty v polohe "L".

Činnosť motora:

Ovládač plynu otočte do strednej polohy a skontrolujte, či z postrekovacej hadice vychádza voda.

Ukončenie činnosti

Vypnutie motora

Ovládač plynu otočte do polohy "L", aby sa nastavili najnižšie otáčky motora.

Vypínač motora I-O (zapnutie/vypnutie) prepnite do polohy "O" (vypnutie).

Po použití vypustíte vodu

Voda vnútri skrine čerpadla v zime zamrzne pri teplote nižšej ako 0°C, pričom môže dôjsť k poškodeniu čerpadla. Po použití vypustíte vodu z vypúšťacieho otvoru v spodnej časti do zásobovacej nádoby.

SERVISNÉ POKYNY

⚠ VÝSTRAHA:

- Pred vykonávaním akejkoľvek práce na tomto zariadení vždy vypnite motor. Nevykonávajte žiadnu prácu, pokiaľ je motor ešte horúci.

⚠ POZOR:

- Počas servisných prác neumývajte motor vodou.

VÝMENA MOTOROVÉHO OLEJA

⚠ VÝSTRAHA:

- Motor a motorový olej sú bezprostredne po vypnutí motora ešte horúce. Počkajte dostatočný čas, kým motor a motorový olej nevychladnú. V opačnom prípade by mohlo dôjsť k popáleniu pokožky.

⚠ POZOR:

- Pred výmenou oleja overte možnosti vhodnej likvidácie starého oleja. Nevylievajte ho do domovej kanalizácie, na záhradnú pôdu ani do voľne tečúcich potokov. Na základe vyčlenenia miestnych zón alebo environmentálnych predpisov získate podrobnejšie pokyny týkajúce sa správneho spôsobu likvidácie. Znehodnotený motorový olej skracuje životnosť motora. Pravidelne kontrolujte olej a hladinu oleja.

POZNÁMKA:

- Ak sa olej naplní nad stanovený limit, môže dôjsť k jeho znečisteniu alebo sa môže vznietiť s bielym dymom. Počkajte dostatočný čas po vypnutí motora, kým sa motorový olej nevráti do olejovej nádrže, aby sa zaistilo správne odčítanie hladiny oleja.

Interval výmeny: Po prvých 20 prevádzkových hodinách a potom každých 50 prevádzkových hodín.

Odporúčaný olej: Olej SAE 10W-30 klasifikácie API triedy SF alebo vyššej (olej 4-taktového motora pre automobil)

Objem oleja:

Pre model EW1050H: Približne 0,08 l

Pre model EW1060H: Približne 0,1 l

1. Odstráňte odmerku oleja. **(Obr. 10)**
Dbajte na to, aby ste odmerku oleja umiestnili na miesto, kde sa na nej nenahromadia nečistota, prach ani iný cudzí materiál.
2. Na miesto okolo plniaceho otvoru oleja umiestnite handričku alebo papierovú utierku.
3. Odstráňte odmerku oleja a potom nakloňte motor a vypustíte olej do zbernej alebo inej nádoby.
4. Zariadenie položte na vodorovný povrch. Olej nalejte z dávkovacej fľaše alebo inej vhodnej nádoby. Olej doplňte maximálne po úroveň pretečenia plniaceho hrdla. **(Obr. 4)**
5. Po naplnení motora olejom zložte späť odmerku oleja. Uistite sa, že je odmerka oleja bezpečne pripevnená, pretože keby sa neskôr uvoľnila, dôjde k úniku oleja.

KONTROLA ZAPALOVACEJ SVIEČKY (Obr. 11)

⚠ POZOR:

- Nikdy sa nedotýkajte konektora zapalovacej sviečky, pokiaľ je motor v činnosti (nebezpečenstvo zasiahnutia vysokým napätím).

Interval čistenia a kontroly: Každý deň (každých 10 prevádzkových hodín)

- Na demontáž alebo montáž zapalovacej sviečky používajte len dodaný univerzálny kľúč.
- Vzdialenosť medzi dvomi elektródami zapalovacej sviečky by mala byť 0,7 – 0,8 mm.

Ak je táto vzdialenosť príliš veľká alebo príliš malá, nastavte ju. Ak je zapalovacia sviečka zanesená alebo znečistená, dôkladne ju vyčistite alebo vymeňte.

ČISTENIE ČISTIČA VZDUCHU (Obr. 12)

⚠ VÝSTRAHA:

- Vypnite motor. Nepríbližujte sa k otvoreným plameňom. Znečistená vložka čističa vzduchu spôsobí ťažkosti pri štartovaní, stratu výkonu, poruchy motora a značné skrátenie životnosti motora. Vložku čističa vzduchu udržiavajte v čistote.

Interval čistenia a kontroly: Každý deň (každých 10 prevádzkových hodín)

1. Ovládač sýtiča uveďte do polohy úplného zatvorenia, aby sa prach a nečistota nemohli dostať do karburátora.
2. Odskrutkujte upevňovaciu skrutku krytu čističa vzduchu.
3. Potiahnutím spodného okraja krytu odstráňte kryt čističa vzduchu.
4. Vyberte vložku a potom ju vyčistite pomocou roztoku teplej vody a jemného čistiaceho prostriedku a napokon ju dôkladne vysušte.
5. Zložte ju podľa rysiek tak, ako je to znázornené na obrázku.
6. Poutierajte akýkoľvek olej v oblasti okolo krytu čističa vzduchu a odvzdušňovača pomocou handričky.
7. Po vyčistení zložte späť kryt čističa (najprv zložte výstupok v hornej časti a potom výstupok v dolnej časti) a pritiahnite upevňovaciu skrutku.

ČISTENIE PALIVOVÉHO FILTRA

⚠ VÝSTRAHA:

- Vypnite motor. Nepríbližujte sa k otvoreným plameňom. Nefajčite.

Interval čistenia a kontroly: Každý mesiac (každých 50 prevádzkových hodín)

Palivový filter sa používa na filtrovanie paliva, ktoré vyžaduje karburátor. Musí sa vykonávať pravidelná vizuálna kontrola palivového filtra.

1. Otvorte uzáver palivovej nádrže a pomocou drôteného háčika vytiahnite saciu hlavu cez otvor nádrže.
2. Odstráňte hadicovú sponu a vytiahnite palivový filter z palivového potrubia.
3. Umyte palivový filter pomocou petroleja.
4. Po umytí ho znova poskladajte.
5. Ak je filter stvrdnutý alebo upchatý, vymeňte ho za nový.

Palivový filter vymieňajte minimálne každý štvrtrok, aby sa zaistil dostatočný prívod paliva do karburátora. V opačnom prípade môže nedostatočný prívod paliva spôsobiť neúspešné naštartovanie motora a obmedzené maximálne otáčky.

Po kontrole, vyčistení alebo výmene, namontujte palivový filter na palivové potrubie s hadicovou sponou. Potlačte palivový filter úplne až na dno palivovej nádrže. **(Obr. 13)**

VÝMENA PALIVOVÉHO POTRUBIA (Obr. 14)

⚠ VÝSTRAHA:

- Vypnite motor. Nepríbližujte sa k otvoreným plameňom.

Interval čistenia a kontroly: Každý deň (každých 10 prevádzkových hodín)

Výmena: Každý rok (každých 200 prevádzkových hodín)

Palivové potrubie vymeňte každý rok, bez ohľadu na vyťaženosť v prevádzke. Únik paliva môže viesť k vzniku požiaru.

Ak sa počas kontroly zistí akýkoľvek únik, okamžite vymeňte palivové potrubie.

KONTROLA SKRUTIEK S MATICAMI, MATÍC A SKRUTIEK

- Pritiahnite uvoľnené skrutky, matice, atď.
- Skontrolujte palivový uzáver a olejový uzáver, či sú pritiahnuté. Skontrolujte, či nedochádza k úniku paliva a oleja.

- Vymeňte poškodené časti za nové kvôli bezpečnej prevádzke.

ČISTENIE JEDNOTLIVÝCH ČASTÍ

- Motor vždy udržiavajte v čistote pravidelným utieraním handričkou.
- Dbajte na to, aby sa v rebrách valca nenachádzali prach alebo nečistota. Prach alebo nečistota prilepené k rebrám môžu spôsobiť zadretie piesta.

Tabuľka plánu pravidelnej údržby

Prevádzková doba		Pred prevádzkou	Denne (10 h)	50 h	200 h	Pred uskladnením
Motorový olej	Kontrola/doplnenie	○				
	Výmena			○*1		
Prítiahnutie častí (skrutka, matica)	Kontrola	○				
Palivová nádrž	Čistenie/kontrola	○				
	Vypustenie paliva					○
Ovládač plynu	Kontrola funkcie	○				
Vypínač I-O (zapnutie/vypnutie)	Kontrola funkcie	○				
Čistič vzduchu	Čistenie		○			
Zapaľovacia sviečka	Kontrola		○			
	Čistenie/nastavenie				○	
Prúdenie chladiaceho vzduchu a rebrá valca	Čistenie/kontrola		○			
Palivové potrubie	Kontrola		○			
	Výmena				◎*2	
Palivový filter	Čistenie/výmena			○		
Vôľa ventilov (sací ventil a výfukový ventil)	Kontrola/nastavenie				◎*2	
Generálna oprava motora, ak je to potrebné					◎*2	
Karburátor	Vypustenie paliva					○
Nastavenie čerpadla	Čistenie		○			
Filter	Kontrola/čistenie	○				

*1 Vykonajte počiatočnú výmenu po 20 h prevádzky.

Pred výmenou oleja overte možnosti vhodnej likvidácie starého oleja. Nevylievajte ho do domovej kanalizácie, na záhradnú pôdu ani do voľne tečúcich potokov. Na základe vyčlenenia miestnych zón alebo environmentálnych predpisov získate podrobnejšie pokyny týkajúce sa správneho spôsobu likvidácie.

*2 O kontrolu po 200 prevádzkových hodinách požiadajte autorizované servisné stredisko.

SKLADOVANIE

⚠ VÝSTRAHA:

- Pri vypúšťaní paliva vypnite motor a zabezpečte, aby sa vychladil motor. Bezprostredne po vypnutí motora môže byť motor stále horúci, pričom hrozia popáleniny, nebezpečenstvo vznietenia a vzniku požiaru.

⚠ POZOR:

- Keď bude toto zariadenie dlhodobo mimo prevádzky, vypustite všetko palivo z palivovej nádrže a uchovávajte ho na suchom a čistom mieste.

Pred uskladnením

1. Z vypúšťacieho otvoru úplne odstráňte akúkoľvek vodu.
2. Jemne ťahajte rukoväť navijacieho štartéra na motore dovtedy, kým nepocítite určitý odpor.
3. Po odstránení paliva z palivovej nádrže stlačajte napúšťacie čerpadlo dovtedy, kým nezačne vytekať palivo z palivového potrubia. Znovu odstráňte palivo z čerpadla.

4. Nastavte ovládač plynu do polohy "L".
5. Utrite akúkoľvek nečistotu alebo prach.
6. Čerpadlo skladujte na suchom, teplom mieste, kde nehrozí pokles teploty na bod mrazu.

Preprava

Pri zdvíhaní a preprave zariadenia pevne držte rukoväť oboma rukami.

RIEŠENIE PROBLÉMOV

Pred tým, ako požiadate o opravu, sami zistíte príčinu problému. Ak sa zistí akákoľvek abnormalita, skontrolujte zariadenie podľa popisu uvedeného v tomto návode. Nikdy nezasahujte do žiadnych častí ani ich nedemontujte v rozpore s týmto popisom. O opravu požiadajte autorizované servisné stredisko.

Problém	Príčina	Riešenie
Motor sa nenašartuje	Nepoužitie napúšťacieho čerpadla.	Stlačte 7 až 10-krát.
	Nízka rýchlosť ťahania štartovacieho lanka.	Potiahnite silno.
	Nedostatok paliva.	Doplňte palivo.
	Upchatý palivový filter.	Vyčistite ho.
	Odpojené palivové potrubie.	Správnym spôsobom pripojte palivové potrubie.
	Ohnuté palivové potrubie.	Narovnajte palivové potrubie.
	Znehodnotené palivo.	Znehodnotené palivo sťažuje štartovanie. Nahraďte ho novým palivom. (Odporúčaná výmena: 1 mesiac)
	Nadmerné sanie paliva.	Nastavte ovládač plynu do strednej polohy alebo do polohy "H" a ťahajte rukoväť štartéra dovtedy, kým sa motor nenašartuje. Ak sa motor ani potom nenašartuje, odmontujte zapaľovaciu sviečku, vysušte elektródu a znovu ich poskladajte tak, ako boli pôvodne. Potom naštartujte tak, ako je to uvedené.
	Odpojená zapaľovacia sviečka.	Pevne pripojte.
	Znečistená zapaľovacia sviečka.	Vyčistite ju.
	Nesprávna vzdialenosť elektród zapaľovacej sviečky.	Nastavte vzdialenosť.
	Iná abnormalita zapaľovacej sviečky.	Vymeňte ju.
	Abnormálny karburátor.	Požiadajte o kontrolu a údržbu.
Lanko štartéra sa nedá potiahnuť.	Požiadajte o kontrolu a údržbu.	
Abnormálny hnací systém.	Požiadajte o kontrolu a údržbu.	

Motor sa skoro vypína Otáčky motora sa nezvýšia	Nedostatočné zahriatie.	Vykonajte proces zahriatia.
	Ovládač sýtiča je nastavený do polohy "CLOSE" (Zatvorený) hoci je motor zahriaty.	Nastavte ho do polohy "OPEN" (Otvorený).
	Upchatý palivový filter.	Vyčistite ho.
	Znečistený alebo upchatý čistič vzduchu.	Vyčistite ho.
	Abnormálny karburátor.	Požiadajte o kontrolu a údržbu.
	Abnormálny hnací systém.	Požiadajte o kontrolu a údržbu.
Čerpadlo nefunguje.	Zadieranie obežného kolesa.	Požiadajte svoje miestne autorizované servisné stredisko spoločnosti Makita o opravu.
Čerpací objem je malý.	Do sacej strany vniká vzduch.	Skontrolujte potrubie na sacej strane.
	Pokles výkonu motora.	Požiadajte svoje miestne autorizované servisné stredisko spoločnosti Makita o opravu.
	Poškodenie mechanického tesnenia.	Vymeňte tesnenie.
	Veľká sacia výška čerpadla.	Zmenšite saciu výšku.
	Tenká alebo dlhá alebo skrútená hadica.	Použite hrubšiu alebo kratšiu hadicu, alebo ju narovnajte.
	Únik vody z prietoku vody.	Zastavte únik.
	Obežné koleso sa upchalo cudzou látkou.	Požiadajte svoje miestne autorizované servisné stredisko spoločnosti Makita o opravu.
Opotrebovanie obežného kolesa.	Požiadajte svoje miestne autorizované servisné stredisko spoločnosti Makita o opravu.	
Nefunguje samonasávanie čerpadla.	Nasávanie vzduchu na sacej strane.	Skontrolujte potrubie na sacej strane.
	Nedostatočné napúšťanie vody vnútri skrine čerpadla.	Napustite vodu úplne.
	Nedokonalé pritiahnutie vypúšťacieho uzáveru.	Úplne pritiahnite 2 uzávery.
	Nedokonalé otáčky motora.	Požiadajte svoje miestne autorizované servisné stredisko spoločnosti Makita o opravu.
	Vnikanie vzduchu cez mechanické tesnenie.	Vymeňte tesnenie.

Vysvětlivky k přehlednému nákresu

1 Zátka (plnění)	14 Páčka sytiče	27 Sání
2 Výtlak	15 Startovací páka	28 Filtr
3 Sání	16 Tahový startér	29 Hadice (volitelný doplněk)
4 Zátka (odtok)	17 Měrka oleje	30 Měrka oleje
5 Skříň čerpadla	18 Podstavec	31 Horní hladina
6 Rukojeť	19 Páčka škrtící klapky	32 Spodní hladina
7 Kryt zapalovací svíčky	20 Těsnění	33 Víčko palivové nádrže
8 Vzduchový filtr	21 Hadicová spojka	34 Horní hladina
9 Zátka nádrže	22 Matice	35 Palivová nádrž
10 Palivová nádrž	23 Objímka na hadici	36 Palivová hadička
11 Plnicí čerpadlo	24 Hadice	
12 Přepínač I-O (zap/vyp)	25 Zátka (plnění)	
13 Tlumič	26 Výtlak	

Děkujeme vám, že jste si zakoupili motorové čerpadlo MAKITA. S potěšením vám můžeme nabídnout motorové čerpadlo MAKITA, které je výsledkem dlouhého vývojového programu a spousty let znalostí a zkušeností.

Přečtěte si prosím tuto příručku, která podrobně popisuje různé funkce, které jsou důkazem výjimečné výkonnosti přístroje. Pomůže vám tak získat při používání motorového čerpadla MAKITA ty nejlepší možné výsledky.

SYMBOLY

Při čtení návodu k použití uvidíte následující symboly.



Přečtěte si návod k použití a řiďte se varováními a bezpečnostními opatřeními.



Budte velmi opatrní a pozorní.



Nikdy nepoužívejte motor uvnitř.



Nedotýkejte se motoru, když je horký.



Zákaz používání otevřeného ohně!



Před startováním zkontrolujte hladinu oleje.



CE značka

⚠ VAROVÁNÍ:

• PŘED PRACÍ S PŘÍSTROJEM SI PŘEČTĚTE CELOU TUTO PŘÍRUKU A SNAŽTE SE JÍ POROZUMĚT.

Následující ⚠ značky označují důležité bezpečnostní informace. Vždy se těmito instrukcemi řiďte. Nesprávné použití vybavení může mít za následek vážné nehody.

⚠ **NEBEZPEČÍ:** Pokud se nebudete řídit instrukcemi, může dojít k vážnému nebo i smrtelnému úrazu.

⚠ **VAROVÁNÍ:** Pokud se nebudete řídit VAROVÁNÍMI, může dojít k vážnému zranění nebo smrti obsluhy stroje, okolostojících nebo člověka, který přístroj kontroluje nebo opravuje.

⚠ **UPOZORNĚNÍ:** UPOZORNĚNÍ zahrnuje zvláštní opatření, která je třeba dodržovat, aby se předešlo úrazu osob a poškození stroje.

POZNÁMKA: POZNÁMKA poskytuje klíčové informace, které popisují instrukce jednodušeji a jasněji.

BEZPEČNOSTNÍ INSTRUKCE

- Tento návod k použití vysvětluje obecné používání a opatření pro vybavení. Předtím, než začnete s přístrojem pracovat, pečlivě si návod k použití přečtěte. A striktně dodržujte bezpečnostní opatření.
- Uložte si tento návod k použití na bezpečné místo, abyste jej mohli v budoucnu používat. Pokud tento návod k použití ztratíte nebo poškodíte, okamžitě požádejte autorizovaný servis Makita, aby vám zaslali nový.
- Pokud zařízení půjčíte nebo dáte někomu jinému, předejte mu vždy také návod k použití a další informační materiály.
- Vlivem našeho pokračujícího programu výzkumu a vývoje podléhají specifikace produktu změnám bez předchozího upozornění. Ilustrace nebo obsah této příručky se může lišit od skutečného produktu.
- Pokud budete potřebovat pomoc týkající se dalších podrobností, požádejte svého prodejce nebo autorizované servisní středisko Makita.

Účel přístroje

Tento přístroj je určen pouze pro zalévání a zavlažování. Toto zařízení se používá na čerpání pouze čisté vody.

⚠ NEBEZPEČÍ:

- Neprovádějte na zařízení žádné modifikace nebo změny.
- Nepoužívejte zařízení k ničemu jinému, než k čemu je určeno.
- Při údržbě a nebo opravách používejte pouze originální schválené náhradní díly.
- Pokud se nebudete řídit výše uvedenými varováními, může dojít k vážnému poškození zařízení nebo zranění osob.

OPATŘENÍ TÝKAJÍCÍ SE VÝFUKOVÝCH PLYNŮ

- Nikdy nevdechujte výfukové plyny. Obsahují oxid uhelnatý, extrémně nebezpečný plyn bez barvy a zápachu, který může způsobit bezvědomí nebo smrt.
- Nikdy nepouštějte motor uvnitř nebo na špatně ventilovaných místech, jako například v tunelu, jeskyni atd.
- Při práci se zařízením v blízkosti lidí nebo zvířat dbejte extrémní opatrnosti.
- Dávejte pozor, aby se do výfukové trubice nedostaly cizí předměty.

OPATŘENÍ PŘI DOPLŇOVÁNÍ PALIVA

- Před doplňováním paliva vypněte motor.
- Palivovou nádrž nepřelévajte.
- Pokud se trochu paliva rozlije, pečlivě je otřete, a před nastartováním motoru počkejte, až se odpaří.
- Po doplnění paliva se ujistěte, že víčko palivové nádrže je pevně utaženo, aby nedošlo k vylití.

PREVENCE POŽÁRU

- Při práci se zařízením nekuřte a nebuďte v blízkosti otevřeného ohně.
- Nepoužívejte zařízení u suchých keřů, větví, hader nebo jiných hořlavých materiálů.
- Motor provozujte ve vzdálenosti nejméně 1 metr od budov nebo jiných struktur.
- Nepřibližujte motor k hořlavým nebo jinak nebezpečným předmětům (odpadky, hadry, oleje, vybušniny).

Pouze pro evropské země

Prohlášení o shodě ES

My, společnost Makita, jako zodpovědný výrobce prohlašujeme, že následující stroj(e) Makita:

Popis stroje: Motorové čerpadlo
Č. modelu/typ: EW1050H, EW1060H
Specifikace: viz tabulka "TECHNICKÉ SPECIFIKACE"

jsou ze sériové výroby a
vyhovují následujícím evropským směrnici:

2000/14/EC, 2006/42/EC, 2010/26/EU,
2004/108/EC, 2000/14/EC, 2005/88/EC

a jsou vyrobeny v souladu s následujícími normami a standardizovanými dokumenty:
EN 809, EN 55012

Technická dokumentace je uložena u:

Makita International Europe Ltd., Technické oddělení,
Michigan Drive, Tongwell, Milton Keynes, Bucks MK15 8JD, England

Proces schvalování shody podle směrnice 2000/14/EC byl v souladu s přílohou V.

Naměřené emise hluku: 100,9 dB(A)
Zaručené emise hluku: 109 dB(A)

31.8.2012



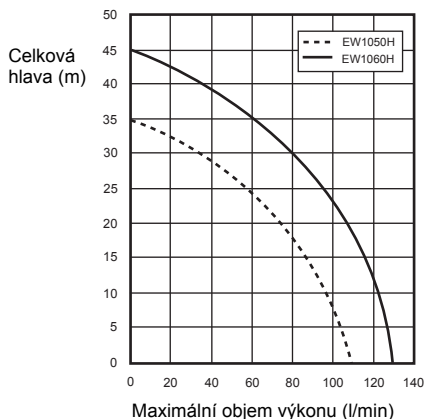
Tomoyasu Kato
Ředitel

Makita Corporation
3-11-8, Sumiyoshi-cho,
Anjo, Aichi, JAPAN

TECHNICKÉ SPECIFIKACE

		EW1050H	EW1060H	
Hmotnost	kg	5,8	7,3	
Rozměry	mm	327 x 231 x 319	356 x 234 x 336	
Typ		Samonasávací Odstředivé Čerpadlo		
Průměry (nasávání-výtlač)	palec	1		
Celková hlava	m	35	45	
Maximální objem výkonu	l/min	110	130	
Maximální sací výkon	m	8	8	
Objem (palivová nádrž)	l	0,5	0,65	
Objem (nádržka na olej)	l	0,08	0,1	
Objem válců motoru	cm ³	24,5	33,5	
Maximální výkon čerpadla	kW	0,71 při 7 000 min ⁻¹	1,07 při 7 000 min ⁻¹	
Karburátor	typ	Membrána		
Systém zapalování	typ	Zapalování pevné fáze		
Zapalovací svíčka	typ	NGK CMR6A		
Vzdálenost elektrod	mm	0,7 – 0,8		
Palivo		Automobilový benzín		
Motorový olej		SAE 10W-30 klasifikace API, třída SF nebo vyšší (4tákní motor pro automobily)		
Použitelná teplota vody	°C	5 – 40	5 – 40	
Hladina akustického tlaku	L _{pA eq}	dB (A)	88,4	88,4
	Nejistota K	dB (A)	3	3
Hladina akustického výkonu	L _{wA, d}	dB (A)	109	109

Poznámka: Při práci noste ochranu sluchu.



POPIS SOUČÁSTÍ (Obr. 1 a 2)

MONTÁŽ (Obr. 3)

⚠ VAROVÁNÍ:

- Před jakoukoli prací na zařízení vždy vypněte motor.
- Motor nastartujte, až když jste celé zařízení zcela smontovali.

INSTALACE HADIC

1. Na čerpadlo instalujte hadicové spojky.

⚠ UPOZORNĚNÍ:

- Při instalaci hadicových spojek zkontrolujte, že těsnění je na místě.
2. Hadice na spojku připojte páskami. Zkontrolujte, že páska na hadici je pevně utažena.
 3. Ke vstupnímu konci hadice připojte filtr.

POZNÁMKA:

- Pokud bude ucházet vzduch, nepůjde vodu čerpat.

⚠ UPOZORNĚNÍ:

- Nevyjímejte filtr nebo čerpadlo, mohlo by dojít k poškození cizím materiálem.
Zkontrolujte, že páska na hadici je pevně utažena.

PŘEDPROVOZNÍ KONTROLY

⚠ VAROVÁNÍ:

- Před jakoukoli prací na zařízení vždy vypněte motor. Vždy pracujte na rovném a stabilním povrchu.
- Před nastartováním motoru zkontrolujte, zda na zařízení nejsou povolené šrouby nebo uvolněné díly.
- Při kontrole nebo opravách se nikdy horkého motoru a tlumiče nedotýkejte žádnou částí těla nebo oblečení.
- Věnujte zvláštní péči větrání. Dávejte pozor na otravu CO.

KONTROLA A DOPLŇOVÁNÍ MOTOROVÉHO OLEJE (Obr. 4)

Následující postup proveďte se zchladlým motorem.

- Ujistěte se, že motor je v horizontální poloze.
- Při kontrole hladiny oleje nestrkejte měрку oleje do plnicího otvoru.
- Zkontrolujte, zda je hladina oleje mezi horním nebo spodním limitem měřky oleje.
- Pokud je hladina oleje pod spodním limitem, přilijte olej.
- Olej bude třeba doplnit po asi 10 hodinách provozu (každé 10. doplnění paliva).
- Pokud olej změní barvu nebo se smísí se špínou, nahradte jej novým.

Doporučený olej: SAE 10W-30 klasifikace API, třída SF nebo vyšší (4taktní motor pro automobily)

Objem oleje:

Pro model EW1050H: Cca 0,08 l

Pro model EW1060H: Cca 0,1 l

POZNÁMKA:

- Pokud není motor umístěn vodorovně, může dojít k nepřesné indikace hladiny oleje a přelítí. Přelítí oleje nad horní hranici může způsobit kontaminaci oleje nebo bílý kouř.

Doplňování motorového oleje

1. Udržujte motor ve vodorovné poloze a vytáhněte měрку oleje.
2. Doplněte olej ke značce horní hranice. Při doplňování používejte láhev s olejem.
3. Měрку oleje dobře připevněte. Nedostatečné připevnění může způsobit protékání oleje.

Po doplnění oleje

- Okamžitě setřete všechny rozlitý olej hadrem.

Výměna oleje: Měrka oleje

- V okolí otvoru pro doplnění oleje setřete všechny prach nebo nečistoty.
- Olejovou měрку udržujte čistou bez písku nebo prachu. Písek nebo prach, který se přilepí na víčko oleje může způsobovat problémy s nepravidelnou cirkulací oleje nebo opotřebením součástí motoru.

PALIVO

⚠ VAROVÁNÍ:

- Palivo je vysoce hořlavé a jedovaté. Při práci s palivem se vyhýbejte otevřenému ohni (cigarety, kamna, ohňostroje), elektrickým jiskrám (akumulátor, zkrat, jiskry ze zkratovaných spínačů, jiskry ze svařování atd.).

- Před doplňováním paliva musíte vypnout motor. Nedoplňujte palivo, když je motor ještě horký.
- Při doplňování paliva, i když naléváte palivo do malé nádoby, dávejte velký pozor.
- Po doplnění paliva pevně utáhněte víčko palivové nádrže a všechno vylité palivo řádně oťfete.

Zacházení s palivem

S palivem je třeba zacházet s co největší opatrností. Palivo může obsahovat látky podobné rozpouštědlům. Doplnění paliva je třeba provádět v dostatečně větrané místnosti nebo venku. Nikdy nevedchujte páry z paliva a dávejte pozor, ať se nepotřísníte. Pokud se paliva budete opakovaně nebo po delší dobu dotýkat, budete mít suchou kůži, a to může vést ke kožním nemocem nebo alergii. Pokud se palivo dostane do oka, vypláchněte je čistou vodou. Pokud bude oko stále podrážděné, obraťte se na lékaře.

Skladovací doba paliva

Palivo by se mělo použít do 4 týdnů, i když je uchováno ve speciální nádobě na dobře větraném a stinném místě.

Jinak může dojít ke znehodnocení paliva.

Skladování stroje a doplňovací nádrže

- Stroj a nádrž skladujte na chladném místě mimo přímé slunce.
- Nikdy neoponechávejte palivo v autě.

Typ paliva:

Motor je čtyřtákní. Používejte bezolovnatý automobilový benzín 87 nebo s vyšším oktanovým číslem ((R+M)/2). Může obsahovat ne více než 10% alkoholu (E-10).

- Nikdy nepoužívejte směs benzínu obsahující motorový olej. To by způsobilo přílišnou kumulaci uhlíku nebo mechanické problémy.

Kapacita palivové nádrže:

Pro model EW1050H: 0,5 l

Pro model EW1060H: 0,65 l

Doplňování paliva (Obr. 5)

1. Motor udržujte ve vodorovné poloze.
2. Malým povelím víčka palivové nádrže uvolníte tlak v nádrži.
3. Sejměte víčko palivové nádrže a doplňte palivo. NEdoplňujte palivo až na okraj nádrže.
4. Po doplnění paliva pevně zašroubujte víčko palivové nádrže.
 - Prostor kolem palivové nádrže oťfete, aby se dovnitř nedostaly nečistoty.
 - Pokud je víčko palivové nádrže poškozené, vyměňte je.
 - Víčko palivové nádrže se časem opotřebuje. Jednou za dva nebo tři roky je vyměňte.
 - NEnalévejte palivo do otvoru pro plnění oleje.

Nasávací voda (Obr. 6)

⚠ UPOZORNĚNÍ:

- Nepouštějte čerpadlo, pokud ve skříní čerpadla není voda. Jinak by mohlo dojít k poškození mechanického uzávěru.

Sejměte plnicí zátku a nalijte čistou vodu tak, aby skřín čerpadla byla zaplněna vodou. Po nalití utáhněte plnicí zátku.

POZNÁMKA:

- Pokud není přívod vody dostatečný, samonasávací kapacita bude nižší.

- Dbejte na to, aby čerpadlo bylo umístěno na pevném místě a co nejbližší zdroji vody.
- Čím výše je nasávací hlava, tím delší čas bude třeba pro plnění s menším výtlačkem.

KONTROLA MOTORU:

- Pečlivě kontrolujte palivové hadice a spojky, aby nebyly povolené a palivo nevytékalo. Vytékající palivo vytváří potenciálně nebezpečné situace.
- Zkontrolujte šrouby a matice, aby nebyly uvolněné. Pokud jsou, utáhněte je. Povolený šroub nebo matice může způsobit vážný problém s motorem.
- Zkontrolujte motorový olej, a pokud je to nutné, doplňte jej.
- Zkontrolujte hladinu paliva a doplňte, pokud je to nutné. Dávejte pozor, abyste nádrž nepřelili.
- Žebra válce a tahový startér udržujte bez nečistot, trávy a jiných částí.
- Při práci s motorem noste těsné pracovní oblečení.

PROVOZ

⚠ VAROVÁNÍ:

- Nikdy se nedotýkejte horkého tlumiče motoru, zejména když znovu startujete motor. Tlumič motoru je po provozu motoru horký.
- Když je čerpadlo v chodu, nedávejte do vypouštěcích ventilů ruce nebo předměty.

⚠ VAROVÁNÍ:

Dávejte pozor na vodní rázy

- Nedopusťte, aby přes přívodní hadici přejelo kolo nějakého vozidla. Nezavírejte výtlačkový ventil náhle, protože by došlo k vodnímu rázu a mohlo by to způsobit vážné poškození čerpadla.

Startování:

⚠ UPOZORNĚNÍ:

- Těsně po nastartování nezvyšujte příliš otáčky motoru, protože mazací olej se nestačil dostatečně rozpýlit. Zbytečně vysoké otáčky zkracují životnost zařízení nebo způsobují poškození.

1. Zkontrolujte, že je skříň čerpadla zavodněná.
2. Zkontrolujte, že je filtr umístěn pod vodou.

⚠ UPOZORNĚNÍ:

- Pokud je dno vody pokryto bahnem nebo pískem, podnikněte preventivní opatření.
3. Zkontrolujte, že v ústí přívodní hadice není žádná překážka.
 4. Přepněte spínač I-O (zap/vyp) motoru do polohy "I" (zap).
 5. Zkontrolujte, že páčka škrticí klapky označuje "L". (Obr. 7)
 6. Stlačte plnicí čerpadlo, dokud se do něj nedostane palivo. (Většinou je třeba 7 až 10krát.)
 7. Nastavte páčku sytiče.
 - Pokud je motor studený nebo je nízká okolní teplota, páčku sytiče zavřete zcela. (Obr. 8)
 - Pokud je motor teplý nebo je okolní teplota vysoká, otevřete páčku sytiče napůl nebo ji mějte zcela otevřenou.

8. Zatáhněte jemně za startovací páku, až ucítíte jistý odpor. Pak startovací páku vraťte a zatáhněte silně. Nikdy nevytahujte lano nadoraz. Když je startovací páka vytažená, nikdy ji nepouštějte okamžitě. Držte startovací páku, dokud se nevrátí na původní místo. Nelze-li motor snadno nastartovat, otevřete klapku sytiče asi o 1/3.
9. Když se motor nastartuje a pokud jste páčku sytiče uzavřeli, nastavte páčku sytiče do polohy otevřeno (Obr. 9)
10. Nechte motor řádně "zahřát". Zahřívací provoz ponechte po 2 až 3 minuty v poloze "L".

Běžící motor:

Otočte páčku škrticí klapky do střední polohy a zkontrolujte, zda z výtlačkové hadice vytéká voda.

Činnost při ukončení

Zastavení motoru

Otočte páčku škrticí klapky do polohy "L" a nastavte motor na nejnižší otáčky.

Přepínač I-O (zap/vyp) nastavte do polohy "O" (vyp).

Po použití vypustte vodu

Voda uvnitř skříně čerpadla v zimě při teplotách nižších než 0°C zamrzá a čerpadlo se může rozbít. Kvůli skladování vypusťte po použití vodu z odtoku na spodní straně.

INSTRUKCE PRO SERVIS

⚠ VAROVÁNÍ:

- Před jakoukoli prací na zařízení vždy vypněte motor. Když je motor horký, neprovádějte žádnou činnost.

⚠ UPOZORNĚNÍ:

- Při opravách neumývejte motor vodou.

VÝMĚNA MOTOROVÉHO OLEJE

⚠ VAROVÁNÍ:

- Motor a motorový olej jsou po zastavení motoru horké. Nechte motor a motorový olej po dostatečně dlouhou dobu vychladnout. Jinak byste si mohli popálit kůži.

⚠ UPOZORNĚNÍ:

- Před výměnou oleje si zjistěte, jakým způsobem vhodně zlikvidujete starý olej. Nevylévejte ho do kanalizace, na zahradu ani do potoka. Podrobné instrukce o správném zlikvidování najdete v místních předpisech nebo opatřeních týkajících se ochrany životního prostředí. Znehodnocený motorový olej zkracuje životnost motoru. Olej a hladinu kontrolujte pravidelně.

POZNÁMKA:

- Pokud olej naplníte nad horní hranici, může být kontaminovaný nebo může začít hořet bílým kouřem. Po zastavení motoru počkejte dostatečně dlouho, aby se motorový olej mohl vrátit do nádržky, abyste hladinu oleje odečetli přesně.

Interval výměny: Po prvních 20 hodinách provozu a pak po 50 hodinách provozu.

Doporučený olej: Olej SAE 10W-30 klasifikace API třídy SF nebo vyšší (4tákní motorový olej pro automobily)

Objem oleje:

Pro model EW1050H: Cca 0,08 l

Pro model EW1060H: Cca 0,1 l

1. Vyměňte měрку oleje (Obr. 10)

Dávejte si pozor, abyste měрку oleje položili na místo, kde se na ni nenalepí nečistoty, prach nebo jiné částice.

2. Kolem otvoru pro plnění oleje umístěte kus látky nebo papírový ubrousek.
3. Vyměňte měрку oleje, pak nakloňte motor a vylijte olej do misky nebo jiné nádoby.
4. Zařízení položte na rovný povrch. Nalijte olej z plastové nebo jiné lahve. Olej nalijte až tak, aby zaplnil ústí nádrže. (Obr. 4)
5. Po dolití oleje do motoru znovu vložte měрку oleje. Ujistěte se, že měřka oleje je utažená, protože pokud by se později uvolnila, olej by vytékal.

KONTROLA ZAPALOVACÍ SVÍČKY (Obr. 11)

⚠ UPOZORNĚNÍ:

- Nikdy se nedotýkejte konektoru zapalovací svíčky, pokud motor běží (nebezpečí úrazu elektrickým proudem).

Interval čištění a kontroly: Denně (po 10 hodinách provozu)

- K vyjímání nebo instalaci zapalovací svíčky použijte pouze přiložený univerzální klíč.
- Vzdálenost mezi dvěma elektrodami zapalovací svíčky by měla být 0,7 – 0,8 mm.

Pokud je vzdálenost příliš velká nebo malá, upravte ji. Pokud je zapalovací svíčka upcpaná nebo znečištěná, řádně ji vyčistěte nebo ji vyměňte.

ČIŠTĚNÍ VZDUCHOVÉHO FILTRU (Obr. 12)

⚠ VAROVÁNÍ:

- Vypněte motor. Chraňte před otevřeným ohněm. Znečištěný prvek vzduchového filtru způsobuje potíže při nastartování, ztrátu napětí, poruchy motoru a značně zkracuje životnost motoru. Udržujte prvek vzduchového filtru čistý.

Interval čištění a kontroly: Denně (po 10 hodinách provozu)

1. Páčku sytiče umístěte do zcela zavřené polohy, aby se do karburátoru nemohl dostat prach a nečistoty.
2. Vytáhněte upínací šroub krytu vzduchového filtru.
3. Zatažením za spodní okraj krytu vytáhněte kryt vzduchového filtru.
4. Vyměňte prvek, vyčistěte jej teplou vodou s rozpuštěným čisticím prostředkem a pak jej řádně osušte.
5. Instalujte jej podle značek, jak je to vidět na obrázku.
6. Veškerý olej kolem krytu vzduchového filtru a odvětrávacího otvoru očistěte hadříkem.
7. Po vyčištění znovu složte kryt vzduchového filtru (nejprve vložte úchytku na horní straně a pak na spodní) a utáhněte upínací šroub.

ČIŠTĚNÍ PALIVOVÉHO FILTRU

⚠ VAROVÁNÍ:

- Vypněte motor. Chraňte před otevřeným ohněm. Nekuřte.

Interval čištění a kontroly: Měsíčně (jednou za 50 hodin provozu)

Palivový filtr se používá k filtraci paliva pro karburátor. Palivový filtr je třeba pravidelně vizuálně kontrolovat.

1. Otevřete víčko palivové nádrže, použijte drátěný háček a vytáhněte sací hlavu otvorem v nádrži.
2. Vyměňte hadicové svorky a vytáhněte palivový filtr z palivové hadičky.
3. Palivový filtr opláchněte petrolejem.
4. Po opláchnutí jej znovu složte.
5. Pokud je filtr tvrdý nebo upcpaný, vyměňte jej za nový.

Vyměňujte palivový filtr alespoň jednou za čtvrt roku, abyste zajistili dostatečný přísun paliva do karburátoru. Jinak může nedostatečný přísun paliva způsobit selhání při startování motoru a omezenou maximální rychlost.

Po zkontrolování, vyčištění nebo výměně připevňte palivový filtr na palivovou hadičku hadicovou svorkou. Palivový filtr zasuňte nadoraz na dno palivové nádrže. (Obr. 13)

VÝMĚNA PALIVOVÉ HADIČKY (Obr. 14)

⚠ VAROVÁNÍ:

- Vypněte motor. Chraňte před otevřeným ohněm.

Interval čištění a kontroly: Denně (po 10 hodinách provozu)

Výměna: Ročně (po 200 hodinách provozu)

Vyměňujte palivovou hadičku každý rok, bez ohledu na frekvenci provozu. Unikání paliva může způsobit požár. Pokud při kontrole zjistíte únik paliva, okamžitě vyměňte palivovou hadičku.

KONTROLA ŠROUBŮ A MATIC

- Uvolněné šrouby a matice atd. přitáhněte.
- Zkontrolujte, zda je víčko palivové nádrže a nádržky oleje dobře utažené. Zkontrolujte, zda palivo nebo olej netečou.
- Poškozené části vyměňte za nové, abyste zajistili bezpečnou činnost.

ČIŠTĚNÍ SOUČÁSTÍ

- Motor udržujte vždy čistý, otírejte jej hadříkem.
- Žebra válce udržujte čisté, bez prachu a nečistot. Nečistoty nebo prach, které se přichytí na žebra, mohou způsobit zadření pístu.

Tabulka rozvrhu pravidelné údržby

Položka	Provozní doba					
		Před provozem	Denně (10 hod.)	50 hod.	200 hod.	Před skladováním
Motorový olej	Kontrola/doplnění	○				
	Výměna			○*1		
Utažení částí (šroubů, matic)	Kontrola	○				
Palivová nádrž	Vyčištění/kontrola	○				
	Vypuštění paliva					○
Páčka škrticí klapky	Kontrola funkce	○				
Přepínač I-O (zap/vyp)	Kontrola funkce	○				
Vzduchový filtr	Vyčištění		○			
Zapalovací svíčka	Kontrola		○			
	Vyčištění/seřízení				○	
Proud vzduchu chlazení a žebra válce	Vyčištění/kontrola		○			
Palivová hadička	Kontrola		○			
	Výměna				⊙*2	
Palivový filtr	Vyčištění/výměna			○		
Vyjmutí ventilu (sací ventil a vypouštěcí ventil)	Kontrola/seřízení				⊙*2	
Generálka motoru, pokud je to nutné					⊙*2	
Karburátor	Vypuštění paliva					○
Sada čerpadla	Vyčištění		○			
Filtr	Kontrola/vyčištění	○				

*1 První výměnu proveďte po 20 hodinách provozu.

Před výměnou oleje si zjistěte, jakým způsobem vhodně zlikvidujete starý olej. Nevylévejte jej do kanalizace, na zahradu nebo do potoka. Podrobné instrukce o správném zlikvidování najdete v místních předpisech nebo opatřeních týkajících se ochrany životního prostředí.

*2 Prohlídku po 200 hodinách provozu požadujte po servisním středisku.

SKLADOVÁNÍ

⚠ VAROVARŇÍ:

- Při vypouštění paliva musíte vypnout motor a ujistit se, že zchladl.

Těsně po vypnutí může být motor stále ještě horký a může dojít k popálení, vznícení nebo požáru.

⚠ UPOZORNĚNÍ:

- Když je zařízení delší dobu mimo provoz, vypusťte všechno palivo z palivové nádrže a uložte je na suché a čisté místo.

Před skladováním

1. Všechnu vodu vypusťte odtokovým otvorem.
2. Jemně zatáhněte za páku tahového startéru motoru, dokud neucítíte odpor.

3. Po vypuštění paliva z palivové nádrže stlačujte plnicí čerpadlo, dokud palivo v palivové hadičce nevyteče. Palivo z čerpadla znovu vypusťte.

4. Nastavte páčku škrticí klapky do polohy "L".

5. Veškerou nečistotu nebo prach otřete.

6. Ukládejte čerpadlo na suchém, teplém místě, kde nebude mrznout.

Transport

Při zvedání a přenášení přístroje držte pevně rukojeť oběma rukama.

ODSTRAŇOVÁNÍ PROBLÉMŮ

Před tím, než požádáte o opravu, zkontrolujte problém sami. Pokud zjistíte nějakou abnormalitu, zkontrolujte stroj podle popisu v této příručce. Nikdy nepozměňujte nebo nerozebírejte žádné součásti jinak než podle popisu. Kvůli opravám se obraťte na autorizované servisní středisko.

Problém	Příčina	Náprava
Motor nespustí	Plnicí čerpadlo nepracuje.	Stlačte 7 až 10krát.
	Malá rychlost tahání startovacího lanka.	Zatáhněte silně.
	Není palivo.	Doplňte palivo.
	Ucpaný palivový filtr.	Vyčistěte jej.
	Odpojte palivovou hadičku.	Správně připojte palivovou hadičku.
	Ohnutá palivová hadička.	Narovnejte palivovou hadičku.
	Znehodnocené palivo.	Znehodnocené palivo znesnadňuje startování. Vyměňte za nové palivo. (Doporučená výměna: 1 měsíc).
	Přílišné nasávání paliva.	Nastavte páčku škrticího ventilu do polohy "H" a zatáhněte za startovací páku, dokud motor nenastartuje. Pokud motor stále nechce nastartovat, vyjměte zapalovací svíčku, osušte elektrodu a znovu je složte tak, jak původně byly. Pak znovu nastartujte podle návodu.
	Sejmutý kryt zátky.	Dobře připevňte.
	Kontaminovaná zapalovací svíčka.	Vyčistěte jej.
	Abnormální mezera zapalovací svíčky.	Seřídte mezery.
	Jiná abnormalita zapalovací svíčky.	Vyměňte ji.
	Abnormální karburátor.	Požadujte kontrolu a údržbu.
Za startovací lanko se nedá zatáhnout.	Požadujte kontrolu a údržbu.	
Abnormální pohonný systém.	Požadujte kontrolu a údržbu.	
Motor brzy zastaví Rychlost motoru se nezvyšuje	Nedostatečné zahřátí.	Provedte zahřátí.
	Páčka škrticího ventilu je nastavena na "CLOSE", i když je motor zahřátý.	Nastavte na "OPEN".
	Ucpaný palivový filtr.	Vyčistěte jej.
	Znečištěný nebo ucpaný vzduchový filtr.	Vyčistěte jej.
	Abnormální karburátor.	Požadujte kontrolu a údržbu.
	Abnormální pohonný systém.	Požadujte kontrolu a údržbu.
Čerpadlo nepracuje.	Zaseknutí oběžného kola.	Požádejte místní autorizované servisní středisko Makita o opravu.

Čerpaný objem je malý.	Je nasáván vzduch.	Zkontrolujte hadice na straně nasávání.
	Výstup motoru poklesl.	Požádejte místní autorizované servisní středisko Makita o opravu.
	Rozbití mechanického těsnění.	Vyměňte těsnění.
	Vysoká sací výška.	Snižte sací výšku.
	Tenká nebo dlouhá nebo překroucená hadice.	Vezměte tlustější, kratší nebo ji narovnejte.
	Protéká voda.	Zamezte protékání.
	Ucpání nebo cizí těleso v oběžném kole.	Požádejte místní autorizované servisní středisko Makita o opravu.
	Opotřebením oběžného kola.	Požádejte místní autorizované servisní středisko Makita o opravu.
Čerpadlo neprovádí samonasávání.	Nasává vzduch na sací straně.	Zkontrolujte hadice na straně nasávání.
	Nedostatečné množství vody uvnitř skříně čerpadla.	Nasajte plně.
	Nedostatečné utažení výpustního kohoutu.	Utáhněte 2 zátky pořádně.
	Nedokonalé otáčky motoru.	Požádejte místní autorizované servisní středisko Makita o opravu.
	Z mechanického těsnění vchází vzduch.	Vyměňte těsnění.

Förklaring av allmän överblick

1 Plugg (påfyllning)	14 Chokespak	27 Sug
2 Matning	15 Starthandtag	28 Sil
3 Sug	16 Rekylstart	29 Slang (valfritt tillbehör)
4 Plugg (tömning)	17 Oljesticka	30 Oljesticka
5 Pumphus	18 Inställningsbas	31 Övre nivå
6 Handtag	19 Gasspak	32 Nedre nivå
7 Tändstiftsskydd	20 Packning	33 Lock bränsletank
8 Lufffilter	21 Slangkoppling	34 Övre nivå
9 Tanklock	22 Vingmutter	35 Bränsletank
10 Bränsletank	23 Slangklämma	36 Bränslerör
11 Primerpump	24 Slang	
12 I-O (På/Av)-brytare	25 Plugg (påfyllning)	
13 Ljuddämpare	26 Matning	

Tack för att du köpt den här MAKITA-motorpumpen. Vi har nöjet att rekommendera dig MAKITA-motorpumpen som är resultatet av ett långt utvecklingsprogram och många års kunskap och erfarenhet.

Läs den här broschyren som innehåller detaljerad information om olika punkter som kommer att demonstrera dess enastående prestanda. Detta kommer att hjälpa dig att få bästa möjliga resultat från din MAKITA-motorpump.

SYMBOLER

Du kommer att se följande symboler när du läser instruktionsmanualen.



Läs instruktionsmanualen och följ varningarna samt de förebyggande säkerhetsåtgärderna.



Var extra noga och uppmärksam.



Använd aldrig motorn inomhus.



Rör inte vid motorn när den är varm.



Ingen öppen eld!



Kontrollera oljenivån före start.



CE-märkning

⚠ **WARNING!**

- LÄS OCH FÖRSTÅ DEN HÄR MANUALEN HELT INNAN MASKINEN ANVÄNDS.

De följande ⚠ markeringarna representerar viktig säkerhetsinformation. Följ alltid de här instruktionerna. Felaktig användning av utrustningen kan leda till allvarliga olyckor.

⚠ **FARA!** Att inte följa instruktionerna kan leda till dödsfall eller allvarlig personskada.

⚠ **WARNING!** Att inte följa VARNING-instruktionerna kan leda till allvarlig personskada eller dödsfall för maskinoperatören, personer som står vid sidan av eller en person som kontrollerar eller reparerar maskinen.

⚠ **VAR FÖRSIKTIG!** En VAR FÖRSIKTIG-instruktion indikerar speciella åtgärder som måste vidtas för att undvika personskada och skada på maskinen.

OBS! En OBS-instruktion ger detaljerad information för att göra procedurer lättare och tydligare.

SÄKERHETSINSTRUKTIONER

- Den här instruktionsmanualen förklarar allmän användning och förebyggande åtgärder för utrustningen. Läs den här instruktionsmanualen noga innan utrustningen tas i drift. Följ säkerhetsreglerna strikt.
- Spara den här instruktionsmanualen på en säker plats för framtida referens. Be Makitas auktoriserade servicecenter om en ny instruktionsmanual direkt om den här kommer bort eller skadas.
- Om du lämnar ut utrustningen eller ger den till andra personer ska instruktionsmanualen och annat informationsmaterial alltid följa med den.
- Produktspecifikationerna kan ändras utan föregående meddelande p.g.a. vårt fortlöpande undersöknings- och utvecklingsprogram. Illustrationer och innehåll i den här manualen kan avvika från den faktiska produkten.
- Fråga din lokala handlare eller auktoriserade Makita-servicecenter om du behöver hjälp med fler detaljer.

Maskinens avsedda användning

Den här utrustningen är endast avsedd för vattnig och bevattningsvatten.

Den här utrustningen används endast till att pumpa rent vatten.

⚠ **FARA!**

- Utför inga modifieringar eller ändringar på utrustningen.
- Använd inte utrustningen till annat än det den är avsedd för.

- Använd endast äkta, godkända reservdelar till underhåll och reparation.
- Om varningarna ovan inte följs kan detta leda till allvarlig skada på utrustningen eller personskada.

FÖREBYGGANDE ÅTGÄRDER BETR. AVGASER

- Andas aldrig in avgaser. De innehåller koldioxid, en färglös, luktlös och extremt farlig gas som kan orsaka medvetlöshet och dödsfall.
- Kör aldrig motorn inomhus eller i ett område med dålig ventilation, så som i en tunnel, grotta m. m.
- Var extra försiktig när motorn körs nära människor eller djur.
- Håll avgasröret fritt från främmande föremål.

FÖRSIKTIGHETSÅTGÄRDER VID PÅFYLLNING

- Var noga med att stänga av motorn innan bränsle fylls på.
- Fyll inte på för mycket i bränsletanken.
- Om bränsle spills ska du torka bort det noga och vänta tills bränslet har torkat innan motorn startas.
- Se till att tanklocket sitter som det ska efter påfyllning för att förhindra spill.

BRANDSKYDD

- Kör inte utrustningen medan du röker eller nära öppen eld.
- Använd inte utrustningen i närheten av torrt ris, kvistar, klädtrasor eller annat brännbart material.
- Ha motorn minst en meter bort från byggnader eller andra strukturer.
- Håll motorn borta från brännbart material och annat farligt material (skräp, trasor, smörjmedel, sprängämnen).

Endast för europeiska länder

EC försäkran om överensstämmelse

Vi, Makita Corporation, intygar härmed som ansvarig tillverkare att följande maskin(er) från Makita:

Maskinbeteckning: Motorpump
 Modellnr/typ: EW1050H, EW1060H
 Specifikationer: se tabellen "TEKNISKA DATA"

är serietillverkade och

i enlighet med följande europeiska direktiv:

2000/14/EC, 2006/42/EC, 2010/26/EU,
 2004/108/EC, 2000/14/EC, 2005/88/EC

Samt är tillverkade i enlighet med följande standarder eller standardiserade dokument:

EN 809, EN 55012

Den tekniska dokumentationen finns hos:

Makita International Europe Ltd., Technical Department,
 Michigan Drive, Tongwell, Milton Keynes, Bucks
 MK15 8JD, England

Proceduren med överensstämmelsebedömningen som krävs i direktiv 2000/14/EC utfördes enligt bilaga V.

Uppmått bullernivå: 100,9 dB(A)

Garanterad bullernivå: 109 dB(A)

31.8.2012

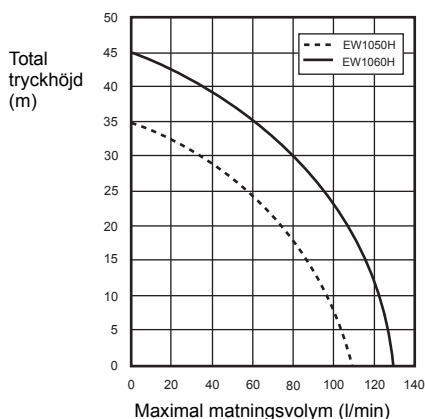


Tomoyasu Kato
 Verkställande direktör
 Makita Corporation
 3-11-8, Sumiyoshi-cho,
 Anjo, Aichi, JAPAN

TEKNISKA DATA

		EW1050H	EW1060H	
Vikt	kg	5,8	7,3	
Mått	mm	327 x 231 x 319	356 x 234 x 336	
Modell		Själv sugande CENTRIFUGALPUMP		
Diameter (insugning-tömning)	tum	1		
Total tryckhöjd	m	35	45	
Maximal matningsvolym	l/min	110	130	
Maximal sughöjd	m	8	8	
Volym (bränsletank)	l	0,5	0,65	
Volym (oljetank)	l	0,08	0,1	
Cylindervolym	cm ³	24,5	33,5	
Maximal motoreffekt	kW	0,71 vid 7 000 min ⁻¹	1,07 vid 7 000 min ⁻¹	
Förgasare	modell	Diafragma		
Tändningssystem	modell	Brytarlös tändning		
Tändstift	modell	NGK CMR6A		
Elektroдавstånd	mm	0,7 – 0,8		
Bränsle		Bilbränsle		
Motorolja		SAE 10W-30-olja med API-klassificering, klass SF eller högre (fyrtaktsmotor för bilar)		
Tillämplig vattentemperatur	°C	5 – 40	5 – 40	
Ljudtrycksnivå	L _{PA eq}	dB (A)	88,4	88,4
	Osäkerhet K	dB (A)	3	3
Ljudeffektnivå	L _{WA, d}	dB (A)	109	109

Obs! Bär hörselskydd under drift.



DELARS BETECKNING (Fig. 1 och 2)

MONTERING (Fig. 3)

⚠ VARNING!

- Stoppa alltid motorn innan något arbete utförs på utrustningen.
- Starta bara motorn när utrustningen är komplett monterad.

SLANGINSTALLATION

1. Installera slanganslutningarna på pumpen.

⚠ VAR FÖRSIKTIG!

- Säkerställ att packningen sitter på plats när anslutningen installeras på pumpen.
2. Anslut slangarna på anslutningarna med klämmor. Kontrollera att slangklämman är ordentligt åtdragen.
 3. Anslut silen i slutet av inloppsslangen.

OBS!

- Om luft läcker kan inte vatten dras upp.

VAR FÖRSIKTIG!

- Ta inte bort silen, annars kan pumpen skadas av främmande material.
Kontrollera att slangklämman är ordentligt åtdragen.

KONTROLLER FÖRE DRIFT

VARNING!

- Stoppa alltid motorn innan något arbete utförs på utrustningen. Och arbeta alltid på plant och stabilt underlag.
- Undersök utrustningen med avseende på lösa skruvar eller lösa anslutningsdelar innan motorn startas.
- Undvik att beröra motorn och ljuddämparen med någon del av din kropp eller dina kläder under inspektion eller reparation, så länge de fortfarande är varma.
- Var extra noga med ventilation. Tänk på kolmonoxidförgiftning.

KONTROLL OCH PÅFYLLNING AV MOTOROLJA (Fig. 4)

Utför följande procedur när motorn är kall.

- Säkerställ att motorn befinner sig i horisontell position.
- Stick inte in oljesticken i oljepåfyllningen för att kontrollera oljenivån.
- Kontrollera om oljenivån ligger mellan den undre eller övre gränsen på oljesticken.
- Fyll på olja om oljenivån ligger under den undre gränsen.
- Du kan behöva fylla på olja cirka var 10:e driftstimme (var 10:e bränslepåfyllning).
- Byt oljan om den ändrar färg eller om det kommer in smuts i den.

Rekommenderad olja: SAE 10W-30-olja med API-klasificering, klass SF eller högre (fyrtaktsmotor för bilar)

Oljevolym:

För modell EW1050H: Cirka 0,08 l

För modell EW1060H: Cirka 0,1 l

OBS!

- Om motorn inte är horisontellt placerad kan man få en felaktig indikering av oljenivån och för mycket olja kan fyllas på. Om olja fylls på över den övre gränsen kan man få förorenad olja eller vit rök.

Fylla på motorolja

1. Håll motorn i horisontellt läge och lossa oljesticken.
2. Fyll med olja upp till markeringen för övre gränsen. Använd oljeflaska vid påfyllning.
3. Sätt in oljesticken ordentligt. Sitter den inte ordentligt på plats kan man få oljeläckage.

När olja fylts på

- Torka bort eventuellt oljespill direkt med en trasa.

Oljebyte: Oljesticka

- Ta bort damm eller smuts nära öppningen för oljepåfyllning.
- Håll den lossade oljesticken fri från sand eller damm. Annars kan sand eller damm som fastnar på oljelocket resultera i problem med oregelbunden oljecirkulation eller slitage på motordelarna.

BRÄNSLE

VARNING!

- Bränsle är mycket lättantändligt och giftigt. Var inte i närheten av öppen eld (cigarett, kamin, fyrverkeri),

elektrisk gnista (batteri, kortslutning, gnista från kortsluten brytare, svetsgnista m. m.) när bränsle hanteras.

- Var noga med att stänga av motorn innan bränsle fylls på. Fyll inte på bränsle när motorn fortfarande är varm.
- Förutom vid påfyllningen ska man alltid vara mycket uppmärksam när bränsle fylls på i liten behållare.
- Dra åt locket till bränsletanken ordentligt efter påfyllning och torka bort allt bränslespill.

Bränslehantering

Det är nödvändigt att vara mycket försiktig när bränsle hanteras. Bränsle kan innehålla substanser som liknar lösningsmedel. Påfyllning måste ske i ett rum med tillräcklig ventilation eller utomhus. Andas aldrig in bränsleångor och håll bränsle borta från dig. Om du rör vid bränsle upprepade gånger eller under lång tid blir huden torr, vilket kan orsaka hudsjukdomar eller allergi. Om du får bränsle i ögonen ska du rengöra ögonen med rent vatten. Kontakta läkare om ögat fortsätter att vara irriterat.

Bränslets lagringsperiod

Bränsle bör användas inom en period på fyra veckor, även om det förvaras i en speciell behållare på ett väl ventilerat och skuggigt område.

Annars kan bränsle försämrans på en dag.

Förvaring av maskin och påfyllningstank

- Förvara maskinen och tanken på en sval plats utan direkt solskin.
- Förvara aldrig bränslet i bilen.

Bränslesort:

Motorn är en fyrtaktsmotor. Använd alltid en blyfri bilbensin, 87 eller högre oktän ((R+M)/2). Den får inte innehålla mer än 10 procent alkohol (E-10).

- Använd aldrig en bensinblandning som innehåller motorolja. Den kommer annars att orsaka omfattande kolansamling eller mekaniska problem.

Kapacitet bränsletank:

För modell EW1050H: 0,5 l

För modell EW1060H: 0,65 l

Bränslepåfyllning (Fig. 5)

1. Håll motorn i horisontellt läge.
2. Lossa locket till bränsletanken något för att släppa på tanktrycket.
3. Ta av locket till bränsletanken och fyll på. Fyll INTE på bränsle ända upp i tanken.
4. Dra åt locket till bränsletanken ordentligt efter påfyllning.
 - Torka av utsidan av bränsletanken för att förhindra att skräp kommer in i tanken.
 - Om locket till bränsletanken är defekt eller skadat ska du byta ut det.
 - Locket till bränsletanken slits med tiden. Byt ut det varnatnat eller vart tredje år.
 - Fyll INTE på bränsle i oljepåfyllningsöppningen.

Vattenpåfyllning (Fig. 6)

VAR FÖRSIKTIG!

- Starta inte pumpen utan vatten i pumphuset. Annars kan mekanisk tätning skadas.

Ta bort påfyllningspluggen och fyll på rent vatten tills pumphuset är fullt med vatten. Dra fast påfyllningspluggen efter påfyllningen.

OBS!

- Om vattenintaget inte är tillräckligt blir självsugningskapaciteten lägre.

- Se till att pumpen är placerad på en säker plats och så nära tillgänglig vattenkälla som möjligt.
- Ju högre sughuvudet är, desto mer tid kommer det att behövas för sugning med en mindre tömning.

KONTROLLERA MOTOR:

- Kontrollera noga om bränsleslangar och anslutningar är lösa och om det finns bränsleläckage. Bränsle som läckt ut skapar en potentiellt farlig situation.
- Kontrollera om bultar och muttrar är lösa. Dra i så fall åt dem. En lös bult eller mutter kan orsaka allvarligt motorproblem.
- Kontrollera motoroljan och fyll vid behov på.
- Kontrollera bränslenivån och fyll vid behov på. Var noga med att inte fylla tanken för mycket.
- Håll smuts, gräs och annat skräp borta från cylindermellanrummet och rekylstart.
- Bär åtsittande arbetskläder när motorn körs.

DRIFT

⚠ VARNING!

- Rör aldrig vid en varm motorljuddämpare, i synnerhet inte när motorn startas om. Motorljuddämparen blir varm när motorn körs.
- Stoppa inte in händerna eller främmande föremål i utsläppsventilerna när pumpen är i drift.

⚠ VARNING!

Varning för vattenhamring

- Låt inte ett fordonshjul köra över matningsslängen. Stäng inte matningsventilen tvärt eftersom det orsakar vattenhamring, vilket kan orsaka allvarlig skada på pumpen.

Starta:

⚠ VAR FÖRSIKTIG!

- Eftersom smörjoljan inte har spridits tillräckligt ännu ska motorn inte accelereras precis efter motorstarten. Onödigt högt varvtal förkortar utrustningens livslängd eller orsakar skada.

1. Kontrollera att pumphuset är fyllt med vatten.
2. Kontrollera att silen sitter under vattnet.

⚠ VAR FÖRSIKTIG!

- Använd någon förebyggande metod när vattenbotten är täckt med gytta eller sand.
- 3. Kontrollera att det inte finns något hinder i öppningen på matningsslängen.
- 4. Vrid motorns I-O (PÅ/AV) brytare till "I" (PÅ)-läget.
- 5. Kontrollera att gasspaken indikerar "L". (Fig. 7)
- 6. Fortsätt trycka primerpumpen tills det kommer in bränsle i den. (i regel 7 – 10 tryckningar.)
- 7. Justera chokespaken.
 - Stäng chokespaken helt om motorn är kall eller om den omgivande temperaturen är låg. (Fig. 8)
 - Öppna chokespaken till hälften, eller ha den helt öppen, om motorn är varm eller om den omgivande temperaturen är hög.

8. Dra försiktigt i starthandtaget tills ett visst motstånd känns. Släpp sedan tillbaka starthandtaget och dra kraftigt i det.

Dra aldrig ut snöret helt.

Släpp aldrig taget direkt när du har dragit i starthandtaget. Håll i starthandtaget tills det återgår till sitt utgångsläge.

Öppna gasen med ca 1/3 om motorn är svår att starta.

9. När motorn startar ställer du chokespaken på läge ÖPPEN, om du har stängt den. (Fig. 9)

10. Låt motorn "värma upp" ordentligt. Fortsätt uppvärmningsproceduren under 2 – 3 minuter i "L"-läge.

Arbetande motor:

Vrid gasspaken till mellanläge och kontrollera att vatten kommer ut ur matningsslängen.

Avsluta användning

Stänga av motor

Vrid gasspaken till läget "L" för att ställa in motorn på det lägsta varvtalet.

Vrid motorns I-O (PÅ/AV)-brytare till "O" (AV)-läget.

Töm ut vatten efter användning

Vatten inne i pumphuset fryser under 0 °C på vintern och pumpen kan gå sönder. Töm ut vatten via tömningsöppningen i botten efter användning inför förvaring.

SERVICEINSTRUKTIONER

⚠ VARNING!

- Stoppa alltid motorn innan något arbete utförs på utrustningen. Utför inte något arbete när motorn fortfarande är varm.

⚠ VAR FÖRSIKTIG!

- Tvätta inte motorn med vatten under servicen.

BYTA MOTOROLJA

⚠ VARNING!

- Motorn och motoroljan är fortfarande varma när motorn precis har stängts av. Låt det gå tillräckligt lång tid så att motorn och motoroljan hinner kylas ner. Annars riskerar du att bränna dig.

⚠ VAR FÖRSIKTIG!

- Undersök ett lämpligt sätt att kassera den gamla oljan innan oljebytet utförs. Håll inte ut den i avlopp, i trädgårdsjorden eller i öppet vatten. Du hittar mer detaljerade instruktioner beträffande korrekt kassering i dina lokala zonindelnings- eller miljöregler. Dålig motorolja förkortar motorns livslängd. Kontrollera alltid oljan och nivån regelbundet.

OSB!

- Om oljan fyllts på över gränsen kan den bli smutsig eller fatta eld med vit rök. För att oljenivån ska kunna avläsas korrekt måste det få gå tillräckligt lång tid så att motoroljan hinner rinna tillbaka till oljetanken när motorn stängts av.

Bytesintervall: Efter de första 20 driftstimmarna och därefter var 50:e driftstimme.

Rekommenderad olja: SAE 10W-30-olja med API-klassificering, SF-klass eller högre (fyrtaktsmotorolja för bilar)

Oljevolym:

För modell EW1050H: Cirka 0,08 l

För modell EW1060H: Cirka 0,1 l

1. Ta bort oljestickan. (Fig. 10)
Var noga med att placera oljestickan på en plats där den inte drar till sig smuts, damm eller andra främmande substanser.
2. Placera ett tygstycke eller en pappershandduk i området runt oljepåfyllningsöppningen.
3. Ta bort oljestickan, luta sedan motorn och töm ut oljan i ett tråg eller annat kärl.
4. Placera utrustningen på en jämn yta. Håll in oljan från en klämlaska eller annat lämpligt. Fyll på oljan upp till gränsen för överfyllning i påfyllningsstosen. (Fig. 4)
5. Sätt tillbaka oljestickan när motorns har fyllts med olja. Säkerställ att oljestickan sitter ordentligt och tätt, om den lossnar senare kommer olja att läcka ut.

KONTROLLERA TÄNDSTIFT (Fig. 11)

⚠ VAR FÖRSIKTIG!

- Rör aldrig tändstiftsblocket medan motorn är påslagen (risk för elstöt p.g.a. hög spänning).

Rengörings- och kontrollintervall: Dagligen (var 10:e driftstimme)

- Använd bara den medföljande universella skruvnyckeln för att ta ut eller sätta in tändstiftet.
- Avståndet mellan tändstiftets båda elektroder bör vara 0,7 – 0,8 mm.

Om avståndet är för stort eller för litet ska du justera det. Om tändstiftet är tilltäppt eller smutsigt ska du rengöra det noga eller byta ut det.

RENGÖRING AV LUFTFILTER (Fig. 12)

⚠ VARNING!

- Stäng av motorn. Var inte i närheten av öppen eld. Smutsigt luftfilterelement orsakar startsvårigheter, kraftförlust, felfunktioner hos motorn och förkortat motorns livslängd extremt. Håll luftfilterelementet rent.

Rengörings- och kontrollintervall: Dagligen (var 10:e driftstimme)

1. Placera chokespaken i helt stängt läge så att inte damm och smuts kommer in i förgasaren.
2. Ta bort fixeringsbulten till luftfilterskyddet.
3. Dra ut den nedre kanten på skyddet för att ta bort luftfilterskyddet.
4. Ta bort elementet och rengör det sedan med en lösning som består av varmt vatten och ett mildt rengöringsmedel och torka det noga efteråt.
5. Installera det enligt instruktionerna som visas på figuren.
6. Torka bort eventuell olja som sitter på området runt luftfilterskyddet och ventilationen med en trasa.
7. Montera filterskyddet igen efter rengöringen (sätt först i den övre fliken, därefter den nedre fliken) och dra sedan fast fixeringsbulten.

RENGÖRA BRÄNSLEFILTER

⚠ VARNING!

- Stäng av motorn. Var inte i närheten av öppen eld. Rök inte.

Rengörings- och kontrollintervall: Varje månad (var 50:e driftstimme)

Bränslefilteret används till att filtrera bränslet som förgasaren behöver. Bränslefilteret ska periodiskt kontrolleras visuellt.

1. Öppna locket till bränsletanken, använd en vajer krok och dra ut sughuvudet genom tanköppningen.
2. Ta bort slangklämman och dra ut bränslefilteret från bränslerör.
3. Tvätta bränslefilteret med fotogen.
4. Montera igen efter tvättning.
5. Om filteret är hårt eller tilltäppt ska du byta ut det mot ett nytt.

Byt bränslefilteret minst varje kvartal för att garantera att förgasaren får tillräckligt med bränsle. Otillräcklig bränslemätning kan annars orsaka startfel hos motorn och begränsad max. hastighet.

Efter kontroll, rengöring eller byte fixeras bränslefilteret på bränsleröret med slangklämman.

Tryck in bränslefilteret hela vägen, ända till botten på bränsletanken. (Fig. 13)

BYTA UT BRÄNSLERÖR (Fig. 14)

⚠ VARNING!

- Stäng av motorn. Var inte i närheten av öppen eld.

Rengörings- och kontrollintervall: Dagligen (var 10:e driftstimme)

Utbyte: Varje år (var 200:e driftstimme)

Byt ut bränsleröret varje år, oberoende av driftsfrekvens. Bränsleläckage kan leda till brand.

Om läckage upptäcks under kontroll ska bränsleröret bytas ut direkt.

KONTROLLERA BULTAR, MUTTRAR OCH SKRUVAR

- Dra åt lösa bultar, muttrar m. m. på nytt.
- Kontrollera att bränslelocket och oljelocket är ordentligt åtdragna. Titta efter bränsle- och oljeläckage.
- Byt ut skadade delar mot nya för säker drift.

RENGÖRA DELAR

- Håll alltid motorn ren genom att torka av med en trasa.
- Håll damm eller smuts borta från cylinderlamellerna. Damm eller smuts som sitter på lamellerna kan orsaka kolvslitage.

Tabell med schema för periodiskt underhåll

Artikel	Driftstid	Före drift	Varje dag (10 h)	50 h	200 h	Före förvaring
Motorolja	Kontrollera/fyll på	○				
	Byt ut			○*1		
Åtdragningsdelar (bult, mutter)	Kontrollera	○				
Bränsletank	Rengör/kontrollera	○				
	Töm ut bränsle					○
Gasspak	Kontrollera funktion	○				
I-O (PÅ/AV)-brytare	Kontrollera funktion	○				
Lufffilter	Rengör		○			
Tändstift	Kontrollera		○			
	Rengör/justera				○	
Kylluftskanal och cylindertlameller	Rengör/kontrollera		○			
Bränslerör	Kontrollera		○			
	Byt ut				⊙*2	
Bränslefilter	Rengör/byt ut			○		
Ventilspel (inloppsventil och utloppsventil)	Kontrollera/justera				⊙*2	
Motorgenomgång om det behövs					⊙*2	
Förgasare	Töm ut bränsle					○
Pumpanläggning	Rengör		○			
Sil	Kontrollera/rengör	○				

*1 Utför första byte efter 20 h drift.

Undersök ett lämpligt sätt att kassera den gamla oljan innan oljebytet utförs. Håll inte ut den i avlopp, i trädgårdsjorden eller i öppet vatten. Du hittar mer detaljerade instruktioner beträffande korrekt kassering i dina lokala zonindelings- eller miljöregler.

*2 Begär auktoriserat servicecenter för kontrollen vid 200 driftstimmar.

FÖRVARING

⚠ VARNING!

- Motorn måste stängas av och det måste säkerställas att den kyls av när bränslet töms ut. Motorn kan fortfarande vara varm strax efter att den stängts av, vilket innebär risk för brännskador, antändlighet och brand.

⚠ VAR FÖRSIKTIG!

- När utrustningen inte används under lång tid ska allt bränsle tömmas ut ur bränsletanken och den ska förvaras på en torr och ren plats.

Före förvaring

1. Ta bort eventuellt vatten helt från tömningsöppningen.
2. Dra försiktigt i rekylstarthandtaget på motorn tills ett motstånd känns.

3. När bränsle tagits bort från bränsletanken trycker man på primerpumpen tills bränsle i gasröret rinner ut. Ta bort bränslet från pumpen en gång till.
4. Ställ in gasspaken på läget "L".
5. Torka bort eventuellt smuts eller damm.
6. Förvara pumpen på en torr, varm plats där det inte finns risk för minusgrader.

Transport

Håll stadigt i handtaget med bägge händerna när du lyfter och transporterar maskinen.

FELSÖKNING

Sök efter fel själv innan du begär reparation. Om något avvikande upptäcks ska du kontrollera din maskin enligt beskrivningen i den här manualen. Ändra eller demontera aldrig någon del i strid med beskrivningen. Kontakta auktoriserat servicecenter för reparationer.

Problem	Orsak	Åtgärd
Motor startar inte	Det går inte att manövrera primerump.	Tryck 7 – 10 gånger.
	Låg draghastighet hos startsnöre.	Dra kraftigt.
	Bränslebrist.	Mata fram bränsle.
	Tilltäppt bränslefilter.	Rengör det.
	Bortkopplat bränslerör.	Anslut bränslerör korrekt.
	Böjt bränslerör.	Räta ut bränslerör.
	Dåligt bränsle.	Dåligt bränsle försvårar startningen. Byt ut mot nytt bränsle. (Rekommenderat byte: 1 månad).
	Omättlig bränslesugning.	Ställ in gasspaken på medium eller läget "H" och dra i starthandtaget tills motorn startar. Om motorn fortfarande inte startar ska du ta ut tändstiftet, torka elektroden och sätt tillbaka dem som de satt ursprungligen. Starta sedan som beskrivet.
	Löstaget plugglock.	Sätt fast ordentligt.
	Smutsigt tändstift.	Rengör det.
	Avvikande spel hos tändstift.	Justera spel.
	Annat som är avvikande hos tändstift.	Byt ut det.
	Avvikande förgasare.	Begär kontroll och underhåll.
	Det går inte att dra i startsnöret.	Begär kontroll och underhåll.
Avvikande drivningssystem.	Begär kontroll och underhåll.	
Motorn stannar snart Motorhastighet ökar inte	Otillräcklig uppvärmning.	Genomför uppvärmning.
	Chokespak är inställd på "CLOSE" trots att motor är uppvärmd.	Ställ in på "OPEN".
	Tilltäppt bränslefilter.	Rengör det.
	Tilltäppt eller smutsigt luftfilter.	Rengör det.
	Avvikande förgasare.	Begär kontroll och underhåll.
	Avvikande drivningssystem.	Begär kontroll och underhåll.
Pump arbetar inte.	Turbin sitter fast.	Be ditt lokala auktoriserade Makita-servicecenter att reparera den.

För liten pumpvolym.	Luft kommer in på sugsidan.	Kontrollera rördragning på sugsidan.
	Försämrad uteffekt hos motor.	Be ditt lokala auktoriserade Makita-servicecenter att reparera den.
	Brott på mekanisk tätning.	Byt ut tätning.
	Hög sughöjd.	Sänk sughöjden.
	Tunn, lång eller böjd slang.	Gör tätare eller korta eller rätta ut.
	Vatten läcker från vattenkanalen.	Täta läcka.
	Främmande substanser fastnar i turbin.	Be ditt lokala auktoriserade Makita-servicecenter att reparera den.
	Slitage på turbin.	Be ditt lokala auktoriserade Makita-servicecenter att reparera den.
Pump suger inte själv.	Luft sugs in på sugsida.	Kontrollera rördragning på sugsidan.
	Otillräcklig vattenpåfyllning inne i pumphus.	Fyll på fullt.
	Bristfällig åtdragning av tömningsventil.	Dra fast de två pluggarna ordentligt.
	Bristfälligt motorvarvtal.	Be ditt lokala auktoriserade Makita-servicecenter att reparera den.
	Luft tränger in från mekanisk tätning.	Byt ut tätning.

Forklaring av generell oversikt

1 Plugg (priming)	14 Chokespak	27 Innsug
2 Utløp	15 Starthåndtak	28 Sil
3 Innsug	16 Rekyllstarter	29 Slange (tilleggsutstyr)
4 Plugg (tapping)	17 Oljemåler	30 Oljemåler
5 Pumpehus	18 Sokkel	31 Øvre nivå
6 Håndtak	19 Spjeldspak	32 Nedre nivå
7 Tennpluggchette	20 Pakning	33 Drivstofftanklokk
8 Luffilter	21 Slangekopling	34 Øvre nivå
9 Tanklokk	22 Vingemutter	35 Drivstofftank
10 Drivstofftank	23 Slangeklemme	36 Drivstoffrør
11 Primingspumpe	24 Slange	
12 I-O (PÅ/AV)-bryter	25 Plugg (priming)	
13 Lyddemper	26 Utløp	

Takk for at du kjøpte denne MAKITA motorpumpen. Det gleder oss å presentere MAKITA motorpumpe, som er resultatet av et langt utviklingsprogram og mange år med kunnskap og erfaring.

Vennligst les dette heftet, som inneholder detaljert informasjon om de ulike punktene som vil demonstrere den utmerkede ytelsen. Dette vil hjelpe deg med å få mest mulig ut av din MAKITA motorpumpe.

SYMBOLER

Du vil se følgende symboler når du leser instruksjonsboken.



Les instruksjonsboken og følg advarslene og sikkerhetsforanstaltningene.



Vær ytterst forsiktig og oppmerksom.



Aldri bruk motoren innendørs.



Ikke rør motoren når den er varm.



Bruk av åpen ild forbudt!



Kontroller oljenivået før du starter.



CE-merke

⚠ ADVARSEL:

- LES OG FORSTÅ DENNE HÅNDBOKEN FULLSTENDIG FØR DU TAR I BRUK MASKINEN.

Følgende ⚠ -merker viser til viktig sikkerhetsinformasjon. Følg alltid disse instruksjonene. Feil bruk av utstyret kan føre til alvorlige ulykker.

⚠ FARE: Hvis ikke instruksjonene følges, kan det forekomme død eller alvorlig personskade.

⚠ ADVARSEL: Hvis ikke ADVARSEL-instruksjonene følges, kan det forekomme alvorlig personskade eller død for maskinoperatøren eller personen som inspiserer eller reparerer maskinen.

⚠ FORSIKTIG: En FORSIKTIG-melding inneholder spesielle forholdsregler som må følges for å unngå personskade og skade på maskinen.

MERKNAD: En MERKNAD inneholder viktig informasjon for å gjøre prosedyrene enklere eller tydeligere.

SIKKERHETSINSTRUKSJONER

- Denne instruksjonsboken inneholder forklaringer av generell bruk og forholdsregler for utstyret. Les denne instruksjonsboken nøye før du tar utstyret i bruk. Og følg sikkerhetsforanstaltningene nøye.
- Oppbevar denne instruksjonsboken på et trygt sted for fremtidig referanse. Hvis instruksjonsboken går tapt eller blir ødelagt, må du be et autorisert Makita-servicecenter om en ny med en gang.
- Når du låner ut eller gir utstyret til andre, må du alltid levere instruksjonsboken og annen informasjon sammen med utstyret.
- Vårt kontinuerlige forsknings- og utviklingsprogram kan føre til at produktspesifikasjonene endres uten varsel. Illustrasjoner eller innhold i denne håndboken kan være forskjellig fra det faktiske produktet.
- Hvis du trenger hjelp og mer informasjon, kan du ta kontakt med din lokale forhandler eller et autorisert Makita-servicecenter.

Tiltenkt bruk av maskinen

Dette utstyret er kun beregnet på vanning og irrigasjonsvann.

Utstyret brukes bare til å pumpe klart vann.

⚠ FARE:

- Ikke foreta modifikasjoner eller endringer på utstyret.
- Ikke bruk utstyret til annet enn tiltenkt bruk.
- Bruk kun originale, godkjente reservedeler til vedlikehold og reparasjon.

- Hvis ikke disse advarslene følges, kan det forekomme alvorlig skade på utstyret eller personskade.

FORHOLDSREGLER FOR EKSOS

- Aldri inhaler eksosgasser. De inneholder karbonmonoksid, en fargeløs, luktfri og ekstremt farlig gass som kan forårsake bevisstløshet eller død.
- Aldri bruk motoren innendørs eller på et dårlig ventilert sted, som i en tunnel, hule e.l.
- Vær ytterst forsiktig når motoren brukes nær personer eller dyr.
- Hold eksosrøret fritt for fremmedlegemer.

FORHOLDSREGLER FOR ETTERFYLLING AV DRIVSTOFF

- Pass på å stoppe motoren før fylling.
- Ikke overfyll drivstofftanken.
- Hvis det søles drivstoff, må det tørkes bort forsiktig, og vent til drivstoffet har tørket før motoren startes.
- Kontroller etter påfylling at drivstofflokket er festet, for å unngå søl.

BRANNVERN

- Ikke røyk når utstyret brukes, og ikke bruk det i nærheten av åpen ild.
- Ikke bruk utstyret i nærheten av tørt kratt, kvister, tøyller eller annet brennbart materiale.
- Hold motoren minst 1 meter unna bygninger og andre strukturer.
- Hold motoren unna antennebare materialer og andre farlige materialer (avfall, filler, smøremidler, sprengstoff).

Kun for europeiske land

EU-samsvarserklæring

Vi, Makita Corporation som ansvarlig produsent, erklærer at følgende Makita-maskin(er):

Maskinbetegnelse: Motorpumpe

Modellnr./type: EW1050H, EW1060H

Spesifikasjoner: Se tabellen "TEKNISKE DATA"

er serieprodusert og

i samsvar med følgende europeiske direktiver:

2000/14/EC, 2006/42/EC, 2010/26/EU,

2004/108/EC, 2000/14/EC, 2005/88/EC

og er produsert i henhold til følgende standarder eller standardiserte dokumenter:

EN 809, EN 55012

Den tekniske dokumentasjonen holdes av:

Makita International Europe Ltd., Technical Department,

Michigan Drive, Tongwell, Milton Keynes, Bucks MK15 8JD, England

Prosedyren for samsvarsvurdering, som kreves av direktiv 2000/14/EC, fulgte tillegg V.

Målt lydeffektnivå: 100,9 dB(A)

Garantert lydeffektnivå: 109 dB(A)

31.8.2012



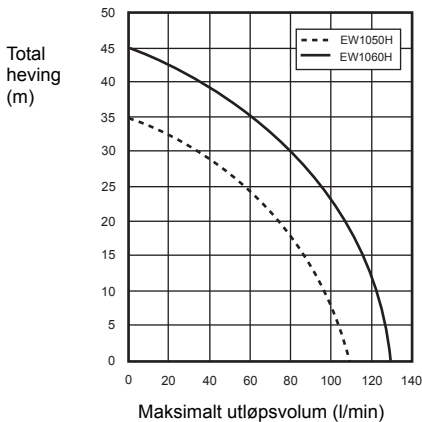
Tomoyasu Kato
Direktør

Makita Corporation
3-11-8, Sumiyoshi-cho,
Anjo, Aichi, JAPAN

TEKNISKE DATA

		EW1050H	EW1060H	
Vekt	kg	5,8	7,3	
Mål	mm	327 x 231 x 319	356 x 234 x 336	
Type		Selvprimende SENTRIFUGEPUMPE		
Diametere (innsug-utløp)	tomme	1		
Total heving	m	35	45	
Maksimalt utløpsvolum	l/min	110	130	
Maksimalt innsugsløft	m	8	8	
Volum (drivstofftank)	l	0,5	0,65	
Volum (oljetank)	l	0,08	0,1	
Motorens slagvolum	cm ³	24,5	33,5	
Maksimal motorytelse	kW	0,71 ved 7 000 min ⁻¹	1,07 ved 7 000 min ⁻¹	
Forgasser	type	Membran		
Tenningsystem	type	Elektronisk tenning		
Tennplugg	type	NGK CMR6A		
Elektrodeåpning	mm	0,7 – 0,8		
Drivstoff		Bilbensin		
Motorolje		SAE 10W-30-olje med API-klassifisering, klasse SF eller høyere (4-taktsmotorolje for bil)		
Anvendbar vanntemperatur	°C	5 – 40	5 – 40	
Lydtrykknivå	L _{pA, eq}	dB (A)	88,4	88,4
	Usikkerhet K	dB (A)	3	3
Lydeffektnivå	L _{WA, d}	dB (A)	109	109

Merknad: Bruk hørselvern under betjening.



DELEBETEGNELSE (Fig. 1 og 2)

MONTERING (Fig. 3)

⚠ ADVARSEL:

- Stopp alltid motoren før det utføres arbeid på utstyret.
- Start kun motoren etter at alt utstyret er fullstendig montert.

MONTERE SLANGE

1. Monter slangeleddene på pumpen.

⚠ FORSIKTIG:

- Kontroller at pakningen er på plass når leddene monteres på pumpen.
2. Koble slangene til leddene med klemme. Kontroller at slangeklemmen er godt strammet.
 3. Koble silen til enden på inntaksslangen.

MERKNAD:

- Vann trekkes ikke opp dersom det lekker luft.

⚠ FORSIKTIG:

- Ikke fjern silen, ellers kan fremmedlegemer skade pumpen.
- Kontroller at slangeklemmen er godt strammet.

KONTROLLER FØR DRIFT

⚠ ADVARSEL:

- Stopp alltid motoren før det utføres arbeid på utstyret. Arbeid alltid på flatt og stabilt underlag.
- Kontroller utstyret med henblikk på løse skruer eller løse forbindelsesdeler før motoren startes.
- Unngå å berøre motoren og lyddemperen med noen del av kroppen eller klærne under inspeksjon eller reparasjon, mens disse fortsatt er varme.
- Vær spesielt nøye med ventilasjon. Vær oppmerksom på CO-forgiftning.

INSPESKJON OG ETTERFYLLING AV MOTOROLJE (Fig. 4)

Utfør følgende prosedyre med motoren avkjølt.

- Påse at motoren står vannrett.
- Ikke skru oljemåleren inn i oljepåfyllingsrøret før å kontrollere oljenivået.
- Kontroller om oljenivået er mellom nedre og øvre grense på oljemåleren.
- Hvis oljenivået er under nedre grense, fyll på olje.
- Du må kanskje etterfylle olje omtrent hver 10. driftstime (hver 10. drivstoffpåfylling).
- Hvis oljen skifter farge eller blandes med urenheter, må den skiftes.

Anbefalt olje: SAE 10W-30-olje med API-klassifisering, klasse SF eller høyere (4-taktsmotorolje for bil)

Oljevolum:

For modell EW1050H: Ca. 0,08 l

For modell EW1060H: Ca. 0,1 l

MERKNAD:

- Hvis ikke motoren står vannrett, kan det oppstå feilvisning av oljenivået og det kan fylles for mye olje. Påfylling av olje over øvre grense kan føre til oljekontaminasjon eller hvit røyk.

Etterfylle motorolje

1. Hold motoren i vannrett stilling og koble fra oljemåleren.
2. Fyll på olje til øvre grensemerke. Bruk oljeflasken til påfylling.
3. Stram oljemåleren godt. Utilstrekkelig stramming kan føre til oljelekkasje.

Etter oljepåfylling

- Tørk umiddelbart bort oljesøl med en fille.

Oljeskift: Oljemåler

- Fjern støv eller smuss nær oljepåfyllingsporten.
- Hold den frakopledde oljemåleren fri for sand og støv. Ellers kan sand og støv som fester seg til oljelokket føre til problemer med ujevn oljesirkulasjon eller slitasje på motordelene.

DRIVSTOFF

⚠ ADVARSEL:

- Drivstoff er lettantennelig og giftig. Ikke håndter drivstoff i nærheten av åpen ild (sigarett, peis, fyrverkeri), elektriske gnister (batteri, kortslutning, gnist fra kortsluttet bryter, sveiseognist osv.).
- Pass på å stoppe motoren før påfylling av drivstoff. Ikke fyll på drivstoff mens motoren fortsatt er varm.

- Vær alltid svært oppmerksom, ikke bare under påfylling av drivstoff, men også ved overføring av drivstoff til en mindre beholder.
- Etter påfylling, stram drivstofftanklokket godt og tørk opp alt drivstoffsøl.

Håndtere drivstoff

Det er viktig å være ytterst forsiktig under håndtering av drivstoff. Drivstoff kan inneholde lignende stoffer som løsemidler. Påfylling må finne sted i et tilstrekkelig ventilert rom eller i friluft. Aldri inhaler drivstoffdamp, og hold drivstoffet unna deg. Hvis du berører drivstoff gjentatte ganger eller over lang tid, blir huden tørr, noe som kan føre til hudsykdom eller allergi. Hvis det kommer drivstoff i øynene, må øyet skylles med rent vann. Hvis øyet fortsatt er irritert, ta kontakt med lege.

Oppbevaringstid for drivstoff

Drivstoff må brukes innen 4 uker, selv om det oppbevares på en spesialbeholder i et godt ventilert og skyggefullt område.

Ellers kan drivstoffet bli forringet i løpet av én dag.

Oppbevaring av maskin og reservetank

- Ha maskinen og tanken på et kjølig sted, unna direkte sollys.
- Oppbevar aldri drivstoff i en bil.

Type drivstoff:

Motoren er en firetaktsmotor. Sørg for å bruke blyfri bensin med 87 oktan eller høyere ((R+M)/2). Den må ikke inneholde mer enn 10 % alkohol (E-10).

- Aldri bruk bensinblanding som inneholder motorolje. Ellers vil det oppstå betydelig karbonavsetning eller mekaniske problemer.

Kapasitet på drivstofftank:

For modell EW1050H: 0,5 l

For modell EW1060H: 0,65 l

Etterfylling av drivstoff (Fig. 5)

1. Hold motoren vannrett.
2. Løsne drivstofftanklokket litt for å avlaste trykket i tanken.
3. Ta av drivstofftanklokket og fyll på drivstoff. IKKE fyll bensin helt til toppen av tanken.
4. Stram drivstofftanklokket godt etter påfylling.

- Tørk av utsiden av drivstofftanklokket for å hindre at det kommer skitt inn i drivstofftanken.
- Hvis det er feil eller skade på drivstofftanklokket, må det skiftes.
- Drivstofftanklokket slites over tid. Skift det ut hvert andre eller tredje år.
- IKKE fyll bensin i oljepåfyllingsåpningen.

Primingsvann (Fig. 6)

⚠ FORSIKTIG:

- Ikke start pumpen uten at det er vann i pumpehuset. Ellers kan den mekaniske forseglingen bli skadet.

Fjern primingspluggen og tilsett rent vann til pumpehuset er fylt med vann. Stram primingspluggen etter fylling.

MERKNAD:

- Hvis ikke vanninntaket er tilstrekkelig, blir selvprimingskapasiteten redusert.
- Påse at pumpen er plassert på et stødig sted og så nær en tilgjengelig vannkilde som mulig.
- Jo høyere sugehodet er, desto mer tid kreves for priming med mindre utløp.

KONTROLLERE MOTOR:

- Undersøk drivstoffslangene og leddene nøye med henblikk på slakhet og drivstofflekkasje. Løst drivstoff utgjør en potensielt farlig situasjon.
- Kontroller om skruer og mutrer er løse. Stram dem hvis de er løse. En løs skrue eller mutter kan forårsake alvorlige motorproblemer.
- Kontroller motoroljen og etterfyll hvis nødvendig.
- Kontroller drivstoffnivået og etterfyll hvis nødvendig. Vær forsiktig så ikke tanken fylles for mye.
- Hold sylindrefinner og rekylstarter fri for smuss, gress og annet avfall.
- Bruk tettsittende klær når du betjener motoren.

BRUK

⚠ ADVARSEL:

- Aldri rør en varm motorlyddemper, spesielt når motoren startes på nytt. Motorlyddemperen blir varm etter at motoren har gått.
- Ikke putt hendene eller fremmedlegemer i utløserventilene når pumpen er i bruk.

⚠ ADVARSEL:

Vær oppmerksom på vannslag

- Ikke kjør over utløpsslangen med hjulet på et kjøretøy. Ikke steng utløpsventilen brått, da det vil oppstå vannslag som vil føre til stor skade på pumpen.

Starte:

⚠ FORSIKTIG:

- Fordi smøreoljen ennå ikke er tilstrekkelig spredt, må ikke motoren ruses like etter at den er startet. Unødig høyt turtall reduserer levetiden på utstyret eller kan føre til skade.

1. Kontroller at pumpehuset er fylt med vann.
2. Kontroller at silen er under vannet.

⚠ FORSIKTIG:

- Bruk en forebyggende metode når bunnen av vannet er dekket med gjørme eller sand.
3. Kontroller at det ikke finnes hindringer i åpningen på utløpsslangen.
 4. Sett motorens I-O (PÅ/AV)-bryter i "I" (PÅ)-posisjonen.
 5. Kontroller at spjeldspaken viser "L". (**Fig. 7**)
 6. Fortsett å presse primingspumpen til det kommer drivstoff inn i primingspumpen. (Vanligvis 7 til 10 press.)
 7. Juster chokespaken.
 - Hvis motoren er kald eller omgivelsestemperaturen er lav, skal chokespaken lukkes helt. (**Fig. 8**)
 - Hvis motoren er varm eller omgivelsestemperaturen er høy, skal chokespaken åpnes halvveis eller holdes helt åpen.
 8. Trekk forsiktig i starthåndtaket til en liten motstand kjennes. Returner deretter starthåndtaket og trekk hardt i det.
Dra aldri snoren helt ut.
Når starthåndtaket er trukket, må du aldri slippe med hånden med en gang. Hold starthåndtaket til det returnerer til opprinnelig sted.
Hvis det er vanskelig å starte motoren, må du øke gasspådraget til ca.
 9. Når motoren har startet, sett chokespaken i ÅPEN posisjon hvis chokespaken er lukket. (**Fig. 9**)

10. La motoren "varme opp" skikkelig. Fortsett oppvarmingen i 2 til 3 minutter i "L"-posisjon.

Kjøre motoren:

Drei spjeldspaken til midtstilling og kontroller at vannet kommer ut av utløpsslangen.

Fullføre operasjonen

Stoppe motoren

Drei spjeldspaken til "L"-posisjon for å sette motoren på lavest turtall.

Sett motorens I-O (PÅ/AV)-bryter i "O" (AV)-posisjonen.

Tappe vannet etter bruk

Vann i pumpehuset fryser ved temperaturer under 0 °C om vinteren, og pumpen kan sprekke. Tapp vann fra avløpet på bunnen etter bruk før oppbevaring.

SERVICEINSTRUKSJONER

⚠ ADVARSEL:

- Stopp alltid motoren før det utføres arbeid på utstyret. Ikke utfør arbeid mens motoren fortsatt er varm.

⚠ FORSIKTIG:

- Ikke vask motoren med vann under servicearbeid.

SKIFTE MOTOROLJE

⚠ ADVARSEL:

- Motoren og motoroljen er fortsatt varme like etter at motoren er stoppet. La det gå tilstrekkelig tid til at motoren og motoroljen kan kjøle av. Ellers kan det forkomme brannskade i huden.

⚠ FORSIKTIG:

- Finn en egnet avhendingsmetode for den gamle oljen før oljeskift påbegynnes. Ikke tøm den i kloakkavløp, hagejord eller åpne vannløp. Lokale reguleringer eller miljøforskrifter vil gi mer detaljert informasjon om riktig avhending.

Foringet motorolje forkorter motorens levetid. Sørg for å kontrollere oljen og oljenivået jevnlig.

MERKNAD:

- Hvis olje påfylles over grensen, kan den bli kontaminert eller ta fyr og avgir hvit røyk. La det gå tilstrekkelig tid etter at motoren er stoppet til at motoroljen kan returnere til oljetanken for å sikre nøyaktig avlesing av oljenivået.

Utskiftingsintervall: Etter de første 20 driftstimene, og deretter hver 50. driftstime.

Anbefalt olje: SAE 10W-30-olje med API-klassifisering, klasse SF eller høyere (4-taktsmotorolje for bil)

Oljevolum:

For modell EW1050H: Ca. 0,08 l

For modell EW1060H: Ca. 0,1 l

1. Fjern oljemåleren. (**Fig. 10**)

1. Fjern oljemåleren. (**Fig. 10**)
Vær nøye med å plassere oljemåleren på et sted der den ikke samler skitt, støv eller andre fremmedlegemer.
2. Plasser en klut eller et papirtørkle på området rundt oljepåfyllingsåpningen.
3. Fjern oljemåleren, vipp deretter motoren og tapp oljen i et kar eller annen beholder.
4. Sett utstyret på et flatt underlag. Fyll oljen fra en klemflaske eller lignende egnet redskap. Fyll oljen slik at den strømmer over påfyllingsrøret. (**Fig. 4**)

5. Sett inn oljemåleren igjen etter at motoren er fylt med olje. Kontroller at oljemåleren sitter godt, ellers vil det lekke olje hvis den senere løsner.

KONTROLLERER TENNPLUGGEN (Fig. 11)

⚠ FORSIKTIG:

- Rør aldri tennpluggkontakten mens motoren er i gang (fare for elektrisk støt med høyspenning).

Intervall for rengjøring og inspeksjon: Daglig (hver 10. driftstime)

- Bare fjern og monter tennpluggen med den medfølgende universalnøkkelen.
- Åpningen mellom de to elektrodene på tennpluggen skal være 0,7–0,8 mm.

Hvis åpningen er for stor eller for liten, må den justeres. Hvis tennpluggen er tett igjen eller kontaminert, må den rengjøres grundig eller skiftes ut.

RENGJØRE LUFTFILTER (Fig. 12)

⚠ ADVARSEL:

- Slå av motoren. Hold unna åpen ild. En skitten luftfilterinnsats fører til startproblemer, tap av effekt, feilfunksjon av motoren og betydelig kortere motorlevetid. Hold luftfilterinnsatsen ren.

Intervall for rengjøring og inspeksjon: Daglig (hver 10. driftstime)

1. Sett chokespaken i helt lukket posisjon slik at støv og smuss ikke kommer inn i forgasseren.
2. Fjern festeskruen fra luftfilterdekselet.
3. Trekk ut nedre kant av dekselet for å fjerne luftfilterdekselet.
4. Fjern elementet og rengjør det med en løsning av varmt vann og mild såpe, og tørk det grundig etterpå.
5. Monter det i flukt med linjene som vises på figuren.
6. Tørk av eventuell olje i området rundt luftfilterdekselet og lufteåpningen med en klut.
7. Etter rengjøring, monter filterdekselet (sett først inn tappen øverst, og sett deretter inn tappen nederst) og stram festeskruen.

RENGJØRE DRIVSTOFFILTER

⚠ ADVARSEL:

- Slå av motoren. Hold unna åpen ild. Ikke røyk.

Intervall for rengjøring og inspeksjon: Månedlig (hver 50. driftstime)

Drivstofffilteret brukes til å filtrere drivstoffet som brukes av forgasseren. En periodisk visuell kontroll av drivstofffilteret skal utføres.

1. Åpne drivstofftankklokken, bruk en vaierkrok til å trekke sugehodet ut gjennom tankåpningen.
2. Fjern slangeklemmen og trekk drivstofffilteret ut fra drivstoffrøret.
3. Vask drivstofffilteret med parafin.
4. Monter det etter å ha vasket det.
5. Hvis filteret er hardt eller tilstoppet, skal det skiftes med et nytt.

Skift ut filteret minst hver kvartal for å sikre tilstrekkelig drivstofftilførsel til forgasseren. Ellers kan utilstrekkelig drivstofftilførsel føre til startproblemer og begrenset maksimalturtall.

Etter kontroll, rengjøring eller utskifting, fest drivstofffilteret på drivstoffrøret med slangeklemmen.

Press drivstofffilteret helt inn til bunnen av drivstofftanken. (Fig. 13)

SKIFTE DRIVSTOFFPUMPE (Fig. 14)

⚠ ADVARSEL:

- Slå av motoren. Hold unna åpen ild.

Intervall for rengjøring og inspeksjon: Daglig (hver 10. driftstime)

Utskifting: Årlig (hver 200. driftstime)

Skift drivstoffrør hvert år, uansett bruksfrekvens. Drivstofflekkasje kan føre til brann.

Hvis lekkasje oppdages under inspeksjon, må drivstoffrøret skiftes umiddelbart.

INSPEKSJON AV BOLTER, MUTRER OG SKRUER

- Ettetrekk løse skruer, mutre osv.
- Kontroller om drivstofflokket og oljelokket er stramme. Se etter drivstoff- og oljelekkasje.
- Skift ut ødelagte deler med nye for sikker drift.

RENGJØRE DELER

- Hold alltid motoren ren ved å tørke av med en tøfille.
- Hold sylinderrinnene fri for støv og skitt. Støv eller skitt som sitter fast i rinnene kan føre til at at stempelet setter seg fast.

Tabell for periodisk vedlikehold

Driftstid Punkt		Før bruk	Daglig (10 t)	50 t	200 t	Før oppbe- varing
Motorolje	Inspiser/etterfyll	○				
	Skift			○*1		
Strammingsdeler (bolt, mutter)	Inspiser	○				
Drivstofftank	Rengjør/inspiser	○				
	Tapp drivstoff					○
Spjeldspak	Kontroller funksjon	○				
I-O (PÅ/AV)-bryter	Kontroller funksjon	○				
Luftfilter	Rengjør		○			
Tennplugg	Inspiser		○			
	Rengjør/juster				○	
Kjøleluftkanal og sylind- derfinner	Rengjør/inspiser		○			
Drivstoffrør	Inspiser		○			
	Skift				⊙*2	
Drivstoffilter	Rengjør/skift			○		
Ventilkjøling (innsugs- ventil og avgassventil)	Inspiser/juster				⊙*2	
Overhal motoren hvis nødvendig					⊙*2	
Forgasser	Tapp drivstoff					○
Pumpesett	Rengjør		○			
Sil	Inspiser/rengjør	○				

*1 Utfør første utskifting etter 20 t drift.

Finn en egnet avhendingsmetode for den gamle oljen før oljeskift påbegynnes. Ikke tøm den i kloakkavløp, hagejord eller åpne vannløp. Lokale reguleringer eller miljøforskrifter vil gi mer detaljert informasjon om riktig avhending.

*2 La et autorisert servicesenter utføre inspeksjon etter 200 driftstimer.

OPPBEVARING

⚠ ADVARSEL:

- Slå av motoren når drivstoff skal tappes, og kontroller at motoren kjøles av.

Motoren kan fortsatt være varm like etter at den er stoppet, og det kan forekomme brannskade, anten-nelse og brann.

⚠ FORSIKTIG:

- Når utstyret tas ut av drift i lengre tid, må all bensinen tappes fra drivstofftanken, og oppbevares på et tørt og rent sted.

Før oppbevaring

1. Tøm alt vann fra tappeporten.
2. Trekk forsiktig i rekylstarthåndtaket på motoren til motstand kan kjennes.
3. Press primingspumpen etter at drivstoff er fjernet fra drivstofftanken, til drivstoff i bensinrøret renner ut. Fjern drivstoffet fra pumpen en gang til.
4. Sett spjeldspaken i "L"-posisjon.
5. Tørk bort eventuell skitt eller støv.
6. Oppbevar pumpen på et tørt, varmt sted der det ikke er mulighet for frost.

Transport

Hold godt i håndtaket med begge hender under løfting og transport av maskinen.

FEILSØKING

Se selv etter feil før du ber om reparasjon. Hvis noe unormalt blir funnet, kontroller maskinen i henhold til beskrivelsen i denne håndboken. Aldri manipuler eller demonter noen del i konflikt med beskrivelsen. Ta kontakt med et autorisert servicesenter angående reparasjon.

Problem	Årsak	Løsning
Motoren starter ikke	Kan ikke betjene primingspumpen.	Press 7 til 10 ganger.
	Lav trekkhastighet i startsnoren.	Trekk hardt.
	Tom for drivstoff.	Fyll på drivstoff.
	Tilstoppet drivstoffilter.	Rengjør det.
	Frakoblet drivstoffrør.	Koble drivstoffrøret ordentlig til.
	Bøyd drivstoffrør.	Rett ut drivstoffrøret.
	Foringet drivstoff.	Foringet drivstoff vanskeliggjør oppstart. Bytt ut med nytt drivstoff. (Anbefalt utskifting: 1 måned).
	Høyt drivstofftrekk.	Sett spjeldspaken til medium eller "H"-posisjon og trekk i starthåndtaket til motoren starter. Hvis motoren fortsatt ikke starter, fjern tennpluggen, tørk elektroden og monter den slik den opprinnelig var. Start deretter som spesifisert.
	Frakoblet pluggchette.	Fest godt.
	Kontaminert tennplugg.	Rengjør det.
	Unormal tennpluggklaring.	Juster klaringen.
	Annen unormalhet ved tennpluggen.	Skift ut.
	Unormal forgasser.	Be om inspeksjon og vedlikehold.
	Kan ikke trekke i startsnoren.	Be om inspeksjon og vedlikehold.
Unormalt drivsystem.	Be om inspeksjon og vedlikehold.	
Motoren stopper snart Motorturtallet øker ikke	Utilstrekkelig oppvarming.	Utfør oppvarmingsoperasjon.
	Chokespaken er satt til "CLOSE" selv om motoren er varmet opp.	Sett til "OPEN".
	Tilstoppet drivstoffilter.	Rengjør det.
	Kontaminert eller tilstoppet luftfilter.	Rengjør det.
	Unormal forgasser.	Be om inspeksjon og vedlikehold.
	Unormalt drivsystem.	Be om inspeksjon og vedlikehold.
Pumpen virker ikke.	Løpehjulet sitter fast.	Be ditt autoriserte Makita-servicesenter om å reparere det.

Pumpevolumet er lavt.	Luft kommer inn på innsugs-siden.	Kontroller rørene på innsugssiden.
	Fall i motoreffekt.	Be ditt autoriserte Makita-servicesenter om å reparere det.
	Brudd i mekanisk tetning.	Skift pakning.
	Høyt sugeløft.	Reduser sugeløftet.
	Tynn eller lang slange eller knekk på slangen.	Gjør tykkere eller kortere, eller rett den ut.
	Vannlekkasje fra vannkanal.	Sopp lekkasjen.
	Tilstopping av fremmedle-geme i løpehjulet.	Be ditt autoriserte Makita-servicesenter om å reparere det.
	Løpehjulet er slitt.	Be ditt autoriserte Makita-servicesenter om å reparere det.
Pumpen selvprimes ikke.	Innsuging av luft på innsugs-siden.	Kontroller rørene på innsugssiden.
	Utilstrekkelig med primings-vann i pumpehuset.	Prime fullstendig.
	Utilstrekkelig stramming av tappekranen.	Stram de 2 pluggene helt.
	Utilstrekkelig motoromdreining.	Be ditt autoriserte Makita-servicesenter om å reparere det.
	Luft kommer inn fra den mekaniske forseglingen.	Skift pakning.

Yleisselostus

1 Tulppa (esitäyttö)	14 Rikastinvipu	27 Imu
2 Syöttö	15 Käynnistimen nuppi	28 Sihti
3 Imu	16 Takaisinkelautuva käynnistin	29 Letku (lisävaruste)
4 Tulppa (tyhjennys)	17 Öljymittari	30 Öljymittari
5 Pumpun kotelo	18 Asetusalusta	31 Ylätaso
6 Kahva	19 Kaasuvipu	32 Alataso
7 Sytytystulpan suojus	20 Tiiviste	33 Polttoainesäiliön korkki
8 Ilmanpuhdistin	21 Letkuliitin	34 Ylätaso
9 Säiliön korkki	22 Siipimutteri	35 Polttoainesäiliö
10 Polttoainesäiliö	23 Letkuvanne	36 Polttoaineputki
11 Esitäyttöpumppu	24 Letku	
12 I-O (päällä/pois) -kytkin	25 Tulppa (esitäyttö)	
13 Äänenvaimennin	26 Syöttö	

Kiitos, että ostit MAKITA-moottoripumpun. MAKITA-moottoripumppu on pitkän kehitysohjelman ja monivuotisen kokemuksen tulos.

Lue tämä kirjanen huolellisesti, sillä siinä kuvataan yksityiskohtaisesti eri seikkoja, jotka kuvaavat laitteen erinomaista suorituskykyä. Se auttaa saavuttamaan MAKITA-moottoripumpulla parhaat mahdolliset tulokset turvallisesti.

SYMBOLIT

Käyttöohjeessa käytetään seuraavia symboleja.



Lue tämä käyttöohje ja noudata varoituksia ja turvaohjeita.



Noudata erityistä varovaisuutta.



Älä koskaan käytä moottoria sisätiloissa.



Älä kosketa moottoria, kun se on kuuma.



Avotulen teko kielletty!



Tarkista öljynpinnan taso ennen käynnistystä.



CE-merkki

VAROITUS:

• LUE TÄMÄ OPAS HUOLELLISESTI ENNEN KONEEN KÄYTTÖÄ.

Seuraavat -merkit osoittavat tärkeitä turvallisuuteen liittyviä tietoja. Noudata aina niiden ohjeita. Laitteiston virheellinen käyttö voi aiheuttaa vakavia tapaturmia.

VAARA: Ohjeiden noudattamatta jättäminen voi aiheuttaa kuoleman tai vakavan vamman.

VAROITUS: VAROITUS-ohjeiden noudattamatta jättäminen voi aiheuttaa koneen käyttäjän, sivullisen tai konetta tarkastavan tai korjaavan henkilön vakavan vamman tai kuoleman.

HUOMIO: HUOMIO osoittaa erityisiä varoitoimenpiteitä, joita tarvitaan henkilövahinkojen tai koneen vaurioitumisen välttämiseksi.

HUOMAUTUS: HUOMAUTUS antaa tärkeitä tietoja, jotka helpottavat tai selventävät toimenpiteitä.

TURVAOHJEET

- Tämä käyttöohje sisältää laitteiston yleiset käyttö- ja turvallisuusohjeet. Lue tämä käyttöohje huolellisesti ennen laitteiston käyttöönottoa. Noudata turvamääräyksiä tarkasti.
- Säilytä tämä käyttöohje turvallisessa paikassa myöhempää tarvetta varten. Jos tämä käyttöohje katoaa tai vahingoittuu, pyydä välittömästi uusi valtuutetusta Makita-huoltokeskuksesta.
- Jos lainaat tai annat laitteiston muille henkilöille, luovuta aina käyttöohje ja muut tietomateriaalit laitteiston mukana.
- Jatkuvan tutkimus- ja kehitysohjelman vuoksi pidämme oikeuden muuttaa tuotteen teknisiä ominaisuuksia ilman ennakoilmoitusta. Tämän ohjeen piirroksat tai sisältö voivat poiketa itse tuotteesta.
- Jos tarvitset apua tai lisätietoja, ota yhteys paikalliseen jälleenmyyjään tai valtuutettuun Makita-huoltokeskukseen.

Koneen käyttötarkoitus

Tämä laitteisto on tarkoitettu vain kastelua ja kasteluvettä varten.

Laitteistoa käytetään vain puhtaan veden pumppaamiseen.

VAARA:

- Älä tee laitteistoon muutoksia.
- Älä käytä laitteistoa tarkoitukseen, johon sitä ei ole tarkoitettu.

- Käytä kunnossapitoon ja korjaukseen vain alkuperäisiä, hyväksytyjä varaosia.
- Seuraavien varoitusten noudattamatta jättäminen voi aiheuttaa vakavia vaurioita laitteistolle tai henkilövahinkoja.

PAKOKAASUA KOSKEVIA TURVAOHJEITA

- Älä koskaan hengitä pakokaasuja. Ne sisältävät hääkää, joka on väritön, hajuton ja erittäin vaarallinen kaasu, joka voi aiheuttaa tajuttomuutta tai kuoleman.
- Älä koskaan käytä moottoria sisätiloissa tai paikassa, jossa on huono ilmanvaihto, kuten tunnelissa, luolassa tms.
- Ole hyvin varovainen, kun käytät moottoria ihmisten tai eläinten lähellä.
- Pidä pakoputki puhtaana vieraista esineistä.

POLTTOAINEEN LISÄÄMISTÄ KOSKEVIA TURVAOHJEITA

- Muista sammuttaa moottori ennen polttoaineen lisäämistä.
- Älä ylitäytä polttoainesäiliötä.
- Jos polttoainetta läikkyä, pyyhi se huolellisesti pois ja odota ennen moottorin käynnistämistä, kunnes polttoaine on kuivunut.
- Varmista polttoaineen lisäämisen jälkeen, että polttoainekorkki on kiinni, läikkymisen estämiseksi.

TULIPALON ESTÄMINEN

- Älä käytä laitteistoa, kun tupakoit, tai avotulen lähellä.
- Älä käytä laitteistoa kuivien pensaiden, risujen, riepujen tai muiden syttyvien materiaalien lähellä.
- Pidä moottori vähintään 1 metrin päässä rakennuksista tai muista rakenteista.
- Pidä moottori etäällä syttyvistä ja muista vaarallisista materiaaleista (roskat, rievut, voiteluaineet, räjähdysaineet).

Vain Euroopan maat

EC-vaatimustenmukaisuusilmoitus

Vastuullisena valmistajana Makita Corporation ilmoittaa, että seuraavat Makita-laitteet:

Laitteen nimi: Moottoripumppu
 Mallinro/tyyppi: EW1050H, EW1060H
 Tekniset tiedot: Katso TEKNISET TIEDOT -taulukko

ovat sarjavalmisteisia ja

täyttävät seuraavat eurooppalaiset direktiivit:

2000/14/EC, 2006/42/EC, 2010/26/EU,
 2004/108/EC, 2000/14/EC, 2005/88/EC

ja ne on valmistettu seuraavien standardien tai standardoitujen asiakirjojen mukaisesti:

EN 809, EN 55012

Teknisten asiakirjojen säilytys:

Makita International Europe Ltd., Technical Department,
 Michigan Drive, Tongwell, Milton Keynes, Bucks
 MK15 8JD, Englanti

Direktiivin 2000/14/EC vaatima vaatimustenmukaisuusmenettely oli liitteen V mukainen.

Mitattu äänitehotaso: 100,9 dB(A)

Taattu äänitehotaso: 109 dB(A)

31.8.2012

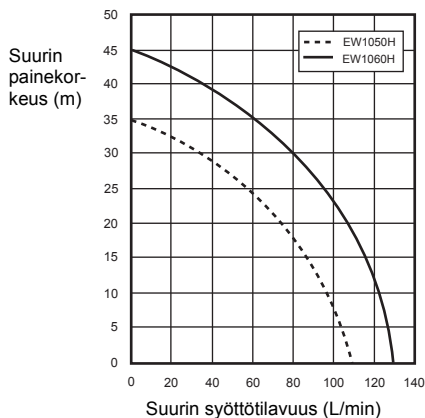


Tomoyasu Kato
 Director
 Makita Corporation
 3-11-8, Sumiyoshi-cho,
 Anjo, Aichi, JAPAN

TEKNISET TIEDOT

		EW1050H	EW1060H	
Paino	kg	5,8	7,3	
Mitat	mm	327 x 231 x 319	356 x 234 x 336	
Tyyppi		Itsesyöttävä KESKIPAKOPUMPPU		
Halkaisijat (imu-poisto)	tuumaa	1		
Suurin painekorkeus	m	35	45	
Suurin syöttötilavuus	L/min	110	130	
Suurin imukorkeus	m	8	8	
Tilavuus (polttoainesäiliö)	L	0,5	0,65	
Tilavuus (öljysäiliö)	L	0,08	0,1	
Moottorin tilavuus	cm ³	24,5	33,5	
Moottorin maksimiteho	kW	0,71, 7 000 min ⁻¹	1,07, 7 000 min ⁻¹	
Kaasutin	tyyppi	Kalvo		
Sytytysjärjestelmä	tyyppi	Puolijohdesytytys		
Sytytystulppa	tyyppi	NGK CMR6A		
Kärkiväli	mm	0,7 – 0,8		
Polttoaine		Autobensiini		
Moottoriöljy		SAE 10W-30 API-luokituksen mukaan, luokka SF tai parempi (autojen 4-tahtimoottori)		
Käyttökelpoinen veden lämpötila	°C	5 – 40	5 – 40	
Äänenpainetaso	L _{pA eq}	dB (A)	88,4	88,4
	Virhemarginaali K	dB (A)	3	3
Äänitehotaso	L _{WA, d}	dB (A)	109	109

Huomautus: Käytä kuulosuojaimia käytön aikana.



OSIEN NIMET (Kuvat 1 ja 2)

KOKOONPANO (Kuva 3)

⚠ VAROITUS:

- Sammuta moottori aina ennen laitteiston parissa työskentelyä.
- Käynnistä moottori vasta, kun laitteisto on koottu kokonaan.

LETKUN ASENNUS

1. Asenna letkuliittimet pumppuun.

⚠ HUOMIO:

- Varmista, että tiiviste on paikallaan, kun asennat liittintä pumppuun.
2. Liitä letkut liittimiin vanteella. Tarkista, että letkuvan on kiristetty kunnolla.
 3. Liitä sihti tuloletkun päähän.

HUOMAUTUS:

- Jos ilmaa vuotaa, vettä ei välttämättä voi juoksentaa.

⚠ HUOMIO:

- Älä irrota sihtiä, jotta vieras aine ei pääse vaurioittamaan pumppua.
- Tarkista, että letkuvanne on kiristetty kunnolla.

TARKISTUKSET ENNEN KÄYTTÖÄ

⚠ VAROITUS:

- Sammuta moottori aina ennen laitteiston parissa työskentelyä. Suorita työt aina tasaisella ja tukevalla pinnalla.
- Tarkista ennen moottorin käynnistämistä, että laitteistossa ei ole löysiä ruuveja tai löysiä liitososia.
- Vältä moottorin ja äänenvaimentimen koskettamista millään kehon tai vaatepuksen osalla tarkastuksen tai korjauksen aikana, kun ne ovat kuumia.
- Huolehdi asianmukaisesta ilmanvaihdosta. Varo CO-myrkytystä.

MOOTTORIÖLJYN TARKASTUS JA LISÄÄMINEN (Kuva 4)

Toimi seuraavalla tavalla, kun moottori on jäähtynyt.

- Varmista, että moottori on vaakasuorassa.
- Älä kierrä öljymittaria öljyn täyttöaukkoon öljymäärän tarkistamista varten.
- Tarkista, onko öljyn taso öljymittarin ala- ja ylärajan välissä.
- Jos öljyn taso on alarajan alapuolella, lisää öljyä.
- Öljyä täytyy ehkä lisätä 10 käyttötunnin välein (10 tankkauksen välein).
- Jos öljyn väri muuttuu tai öljyssä on likaa, vaihda se uuteen.

Suosittelava öljy: SAE 10W-30 API-luokituksen mukaan, luokka SF tai parempi (autojen 4-tahtimoottori)

Öljyn määrä:

Malli EW1050H: Noin 0,08 L
Malli EW1060H: Noin 0,1 L

HUOMAUTUS:

- Jos moottori ei ole vaakasuorassa, öljyn määrä voidaan näyttää väärin ja öljyä voidaan lisätä liikaa. Jos öljyä lisätään yli ylärajan, seurauksena voi olla öljyn likaantuminen tai valkoista savua.

Moottoriöljyn lisääminen

1. Pidä moottori vaakasuorassa ja irrota öljymittari.
2. Lisää öljyä ylärajamerkkiin asti. Käytä täyttöön öljypulloa.
3. Kiristä öljymittari kunnolla. Jos sitä ei kiristetä kunnolla, seurauksena voi olla öljyvuoto.

Öljyn lisäämisen jälkeen

- Pyyhi läikkynyt öljy välittömästi pois rievulla.

Öljynvaihto: Öljymittari

- Poista pöly tai lika öljyn täyttöaukon ympäriltä.
- Pidä irrotettu öljymittari puhtaana hiekasta ja pölystä. Muuten öljykorkkiin tarttunut hiekka tai pöly voi aiheuttaa ongelmia, kuten epäsäännöllinen öljyn kiertäminen moottorin osien kuluminen.

POLTOAINE

⚠ VAROITUS:

- Polttoaine on erittäin tulenarkaa ja myrkyllistä. Pysy etäällä avotulesta (savuke, liesi, ilotulitus) ja sähkökipinöistä (akku, oikosulku, oikosulussa olevan kytkimen kipinä, hitsauskipinä yms.), kun käsittelet polttoainetta.

- Muista sammuttaa moottori ennen polttoaineen lisäämistä. Älä lisää polttoainetta, kun moottori on vielä kuumaa.
- Noudata asianmukaista varovaisuutta myös muulloin kuin polttoainetta lisättäessä, esim. kun polttoainetta kaadetaan pienempään astiaan.
- Kiristä polttoaineen lisäyksen jälkeen polttoainesäiliön korkki kunnolla ja pyyhi kaikki läikkynyt polttoaine pois.

Polttoaineen käsittely

Polttoainetta on käsiteltävä erittäin huolellisesti. Polttoaine voi sisältää liuottimia kaltaisia aineita. Polttoaineen lisäys täytyy tehdä huoneessa, jossa on riittävä ilmanvaihto, tai ulkona. Älä koskaan hengitä polttoainehöyryä, ja pidä polttoaine etäällä itsestäsi. Jos polttoainetta kosketetaan toistuvasti tai pitkään, iho kuivuu, mikä voi aiheuttaa ihosairauden tai allergian. Jos polttoainetta joutuu silmään, pese silmät puhtaalla vedellä. Jos silmä on edelleen ärtynyt, hakeudu lääkärin hoitoon.

Polttoaineen säilytysaika

Polttoaine täytyy käyttää 4 viikon kuluessa, vaikka sitä säilytettäisiin erikoisastiassa varjoisessa paikassa, jossa on hyvä ilmanvaihto. Muuten polttoaineen laatu voi heikentyä yhdessä päivässä.

Laitteen ja täyttösäiliön varastointi

- Säilytä laite ja säiliö viileässä paikassa poissa suorasta auringonvalosta.
- Älä koskaan säilytä polttoainetta autossa.

Polttoaineen tyyppi:

Moottori on nelitahtimoottori. Käytä vain lyijytöntä moottoribensiiniä, jonka oktaaniluku on vähintään 87 ((R+M)/2). Siinä saa olla enintään 10 % alkoholia (E-10). Älä koskaan käytä moottoriöljyä sisältävää bensiiniseosta. Muuten seurauksena voi olla liiallista hiilikeros-tumaa tai mekaanisia ongelmia.

Polttoainesäiliön tilavuus:

Malli EW1050H: 0,5 L
Malli EW1060H: 0,65 L

Polttoaineen lisääminen (Kuva 5)

1. Pidä moottori vaakasuorassa.
2. Vapauta polttoainesäiliön paine avaamalla säiliön korkkia hieman.
3. Irrota polttoainesäiliön korkki ja lisää polttoainetta. ÄLÄ täytä säiliötä aivan täyteen.
4. Kiristä polttoaineen lisäyksen jälkeen polttoainesäiliön korkki kunnolla.
 - Pyyhi polttoainesäiliön korkin ulkopuoli, jotta polttoainesäiliöön ei pääse likaa.
 - Jos polttoainesäiliön korkissa on vika tai vaurio, vaihda se.
 - Polttoainesäiliön korkki kuluu ajan myötä. Vaihda se 2–3 vuoden välein.
 - ÄLÄ kaada polttoainetta öljyntäyttöaukkoon.

Ensitäyttövesi (Kuva 6)

⚠ HUOMIO:

- Älä käynnistä pumppua, jos pumppukotelossa ei ole vettä. Muuten mekaaninen tiiviste voi vaurioitua.

Irrota ensitäyttötulppa ja lisää puhdasta vettä, kunnes pumppukotelo on täynnä vettä. Täytön jälkeen kiristä ensitäyttötulppa.

HUOMAUTUS:

- Jos veden sisäänotto ei ole riittävä, itsesyöttökapasiteetti laskee.
- Varmista, että pumppu on asetettu tukevaan paikkaan ja mahdollisimman lähelle veden lähdettä.
- Mitä korkeampi imukorkeus, sitä enemmän aikaa esitäyttö vie, ja sitä pienempi on poisto.

MOOTTORIN TARKISTUS:

- Tarkista polttoaineletkut ja -liitokset huolellisesti löysyyden ja polttoainevuotojen varalta. Vuotava polttoaine aiheuttaa mahdollisesti vaarallisen tilanteen.
- Tarkista, että pulkit ja mutterit eivät ole löysällä. Jos ne ovat, kiristä ne uudelleen. Löysällä oleva pultti tai mutteri voi aiheuttaa vakavia moottoriongelmia.
- Tarkista moottoriöljy ja lisää tarvittaessa. Älä täytä säiliötä liian täyteen.
- Pidä sylinterin rivat ja takaisinkelautuva käynnistin puhtaana liasta, ruohosta ja muista roskista.
- Käytä työkoistuvia työvaatteita, kun käytät moottoria.

KÄYTTÖ

⚠ VAROITUS:

- Älä koskaan kosketa moottorin kuumaa äänenvaimenninta etenkin silloin, kun käynnistät moottorin uudelleen. Moottorin äänenvaimennin kuumenee moottorin käytön jälkeen.
- Älä laita käsiä tai vieraita esineitä päästöventtiileihin, kun pumppu on käytössä.

⚠ VAROITUS:

Varo vesi-iskua

- Älä anna ajoneuvon pyörän kulkea paineletkun yli. Älä sulje lähtöventtiiliä äkillisesti, sillä seurauksena on vesi-isku, joka voi aiheuttaa pumpulle vakavia vaurioita.

Käynnistys:

⚠ HUOMIO:

- Koska voiteluöljy ei ole vielä levinnyt tarpeeksi, älä nosta moottorin kierrosnopeutta heti käynnistyksen jälkeen. Tarpeettoman suuri kierrosnopeus lyhentää laitteen käyttöikää tai aiheuttaa vaurioita.

1. Tarkista, että pumppukotelo on täytetty vedellä.
2. Tarkista, että sihti on vedenpinnan alapuolella.

⚠ HUOMIO:

- Käytä jotain ehkäisevää menetelmää, jos veden pohja on mudan tai hiekan peitossa.
- 3. Tarkista, ettei paineletkun suulla ole esteitä.
- 4. Käännä moottorin I-O (PÄÄLLÄ/POIS) -kytkin asentoon "I" (PÄÄLLÄ).
- 5. Tarkista, että kaasuvipu on asennossa "L". **(Kuva 7)**
- 6. Jatka esitäyttöpumpun painamista, kunnes esitäyttöpumppuun tulee polttoainetta. (Yleensä 7–10 painallusta.)
- 7. Säädä rikastinvipua.
 - Jos moottori on kylmä tai ympäristön lämpötila on alhainen, sulje rikastinvipu täysin. **(Kuva 8)**
 - Jos moottori on lämmin tai ympäristön lämpötila on korkea, avaa rikastinvipu puolivälillä tai jätä se täysin auki.

8. Vedä käynnistimen nuppia varovasti, kunnes tuntuu vastusta. Palauta sitten käynnistimen nuppi ja vedä sitä voimakkaasti.

Älä koskaan vedä köyttä kokonaan ulos.

Kun käynnistimen nuppia on vedetty, älä koskaan irrota kättä välittömästi. Pidä käynnistimen nupista kiinni, kunnes se palaa alkuperäiseen asentoon.

Jos moottoria on vaikea käynnistää, avaa kaasua noin 1/3.

9. Kun moottori on käynnistynyt, aseta rikastinvipu AUKI-asentoon, jos se on suljettu. **(Kuva 9)**

10. Anna moottorin lämmetä kunnolla. Jatka esilämmitystä 2–3 minuuttia "L"-asennossa.

Moottorin käyttäminen:

Käännä kaasuvipu keskiasentoon ja tarkista, että paineletkusta tulee vettä.

Käytön lopettaminen

Moottorin sammuttaminen

Laske moottorin kierrosnopeus minimiin kääntämällä kaasuvipu asentoon "L".

Käännä moottorin I-O (PÄÄLLÄ/POIS) -kytkin asentoon "O" (POIS).

Veden poistaminen käytön jälkeen

Pumppukotelossa oleva vesi jäähtyy alle 0 °C:n lämpötiloissa, ja pumppu voi rikkoutua. Tyhjä vesi käytön jälkeen pohjassa olevasta laskuaukosta säilytystä varten.

HUOLTO-OHJEET

⚠ VAROITUS:

- Sammuta moottori aina ennen laitteiston parissa työskentelyä. Älä tee mitään toimenpiteitä, kun moottori on vielä kuuma.

⚠ HUOMIO:

- Älä pese moottoria vedellä huollon aikana.

MOOTTORIÖLJYN VAIHTO

⚠ VAROITUS:

- Moottori ja moottoriöljy ovat edelleen kuumia heti moottorin sammuttamisen jälkeen. Anna moottorin ja moottoriöljyn jäähtyä riittävän kauan. Muuten seurauksena voi olla palovamma.

⚠ HUOMIO:

- Tarkista ennen öljyn vaihtamista sopiva vanhan öljyn hävittämistapa. Älä kaada öljyä viemäriin, maahan tai virtaavaan veteen. Paikalliset kaava- tai ympäristömääräykset antavat tarkempia ohjeita asianmukaisesta hävittämisestä. Vanhentunut moottoriöljy lyhentää moottorin käyttöikää. Muista tarkistaa öljy ja sen määrä säännöllisesti.

HUOMAUTUS:

- Jos öljyä lisätään liikaa, se voi likaantua tai syttyä ja tuottaa valkoista savua. Odota moottorin sammuttamisen jälkeen niin kauan, että moottoriöljy on palannut öljysäiliöön, jotta öljymäärän lukema olisi tarkka.

Vaihtoväli: Ensimmäisen 20 käyttötunnin jälkeen ja sen jälkeen 50 käyttötunnin välein.

Suosittelava öljy: SAE 10W-30 API-luokituksen mukaan, luokka SF tai parempi (autojen 4-tahtimoottori)

Öljyn määrä:

Malli EW1050H: Noin 0,08 L

Malli EW1060H: Noin 0,1 L

1. Irrota öljymittari. (Kuva 10)

- Muista laittaa öljymittari paikkaan, jossa se ei kerää likaa, pölyä tai muuta vierasta ainetta.
- Aseta liina tai paperipyyhe öljyn täyttöaukon ympärille.
- Irrota öljymittari, kallista moottoria ja laske öljy vatiin tai muuhun astiaan.
- Aseta laitteisto tasaiselle alustalle. Kaada öljyä puristuspullosta tms. Lisää öljyä täyttökaulan alaosaan asti. (Kuva 4)
- Kun öljy on lisätty, asenna öljymittari takaisin. Varmista, että öljymittari on tiukassa, sillä jos se löystyy myöhemmin, öljyä vuotaa ulos.

SYTYTYSTULPAN TARKISTUS (Kuva 11)

⚠ HUOMIO:

- Älä koskaan kosketa sytytystulpan liitintä moottorin käydessä (suurjännitesähköiskun vaara).

Puhdistus- ja tarkastusväli: päivittäin (10 käyttötunnin välein)

- Käytä vain toimitettua yleiskiintoavainta sytytystulpan irrotukseen ja asennukseen.
- Sytytystulpan kahden elektrodin välin tulee olla 0,7–0,8 mm.

Jos väli on liian leveä tai kapea, säädä se. Jos sytytystulppa on tukkeutunut tai liikainen, puhdista se huolellisesti tai vaihda se.

ILMANPUHDISTIMEN PUHDISTUS (Kuva 12)

⚠ VAROITUS:

- Sammuta moottori. Pidä etäällä avotulesta. Likainen ilmanpuhdistinelementti aiheuttaa käynnistysvaikeuksia, tehonhäviötä sekä moottorin toimintahäiriöitä ja lyhentää huomattavasti moottorin käyttöikää. Pidä ilmanpuhdistinelementti puhtaana.

Puhdistus- ja tarkastusväli: päivittäin (10 käyttötunnin välein)

- Sulje rikastinvipu kokonaan, jotta kaasuttimeen ei pääse pölyä ja likaa.
- Irrota ilmanpuhdistimen suojuksen kiinnityspultti.
- Irrota ilmanpuhdistimen suojuksen vetämällä sen alareuna ulos.
- Irrota elementti ja puhdista se lämpimän veden ja miedon pesuaineen seoksella. Kuivaa se sitten huolellisesti.
- Asenna se kohdistettuna kuvan viivojen mukaisesti.
- Pyyhi kaikki ilmanpuhdistimen suojuksen ja huohottimen ympärille tarttunut öljy pois liinalla.
- Puhdistuksen jälkeen kokoa puhdistimen suojuksen (asetä ensin yläkieleke, sitten alakieleke) ja kiristä kiinnityspultti.

POLTOAINEEN SUODATTIMEN PUHDISTUS

⚠ VAROITUS:

- Sammuta moottori. Pidä etäällä avotulesta. Älä tupakoi.

Puhdistus- ja tarkastusväli: kuukausittain (50 käyttötunnin välein)

Polttoaineen suodatin suodattaa kaasuttimen tarvitseman polttoaineen. Polttoaineen suodatin täytyy tarkistaa säännöllisesti silmämääräisesti.

- Avaa polttoainesäiliön korkki, vedä imupää rautalan-kakoukulla tankin aukon läpi.
- Irrota letkunkiristin ja vedä polttoaineen suodatin pois polttoaineputkesta.
- Pese polttoaineen suodatin kerosiinilla.
- Pesun jälkeen kokoa se.
- Jos suodatin on kova tai tukkeutunut, vaihda se uuteen.

Vaihda polttoaineen suodatin vähintään kolmen kuukauden välein kaasuttimen riittävän polttoaineen syötön varmistamiseksi. Muuten riittämätön polttoaineen syöttö voi aiheuttaa moottorin käynnistysongelmia ja rajoitetun maksiminopeuden.

Kiinnitä tarkistuksen, puhdistuksen tai vaihdon jälkeen polttoaineen suodatin polttoaineputkeen letkunkiristimellä.

Paina polttoaineen suodatin kunnolla polttoainesäiliön pohjaan. (Kuva 13)

POLTOAINEPUTKEN VAIHTO (Kuva 14)

⚠ VAROITUS:

- Sammuta moottori. Pidä etäällä avotulesta.

Puhdistus- ja tarkastusväli: päivittäin (10 käyttötunnin välein)

Vaihto: vuosittain (200 käyttötunnin välein)

Vaihda polttoaineputki vuosittain käyttömäärästä riippumatta. Polttoainevuoto voi aiheuttaa tulipalon. Jos tarkastuksen aikana havaitaan vuoto, vaihda polttoaineputki välittömästi.

PULTTIEN, MUTTERIEN JA RUUVIEN TARKASTUS

- Kiristä uudelleen löysät pultit, mutterit yms.
- Tarkista polttoainekorkin ja öljykorkin tiukkuus. Tarkista polttoaine- ja öljyvuodot.
- Vaihda vaurioituneet osat uusiin turvallista käyttöä varten.

OSIEN PUHDISTUS

- Pidä moottori aina puhtaana pyyhkimällä se rievulla.
- Pidä sylinterin rivat puhtaina pölystä tai liasta. Ripoihin tarttunut pöly tai lika voi aiheuttaa männän kiinnileikkautumisen.

Määräaikaishuoltotaulukko

Käyttöaika Kohde		Ennen käyt- töä	Päivittäin (10 h)	50 h	200 h	Ennen varastoin- tia
Moottoriöljy	Tarkasta/lisää	<input type="radio"/>				
	Vaihda			<input type="radio"/> *1		
Kiristettävät osat (pultti, mutteri)	Tarkasta	<input type="radio"/>				
Polttoainesäiliö	Puhdista/tarkasta	<input type="radio"/>				
	Poista polttoaine					<input type="radio"/>
Kaasuvipu	Tarkista toiminto	<input type="radio"/>				
I-O (PÄÄLLÄ/POIS) - kytkin	Tarkista toiminto	<input type="radio"/>				
Ilmanpuhdistin	Puhdista		<input type="radio"/>			
Sytytystulppa	Tarkasta		<input type="radio"/>			
	Puhdista/säädä				<input type="radio"/>	
Jäähdytysilmakanava ja sylinterin rivat	Puhdista/tarkasta		<input type="radio"/>			
Polttoaineputki	Tarkasta		<input type="radio"/>			
	Vaihda				<input checked="" type="radio"/> *2	
Polttoaineen suodatin	Puhdista/vaihda			<input type="radio"/>		
Venttiilin välis (imu- venttiili ja pakoventtiili)	Tarkasta/säädä				<input checked="" type="radio"/> *2	
Moottorin perushuolto tarvittaessa					<input checked="" type="radio"/> *2	
Kaasutin	Poista polttoaine					<input type="radio"/>
Pumppusarja	Puhdista		<input type="radio"/>			
Sihti	Tarkasta/puhdista	<input type="radio"/>				

*1 Suorita ensimmäinen vaihto 20 käyttötunnin jälkeen.

Tarkista ennen öljyn vaihtamista sopiva vanhan öljyn hävittämistapa. Älä kaada öljyä viemäriin, maahan tai virtaavaan veteen. Paikalliset kaava- tai ympäristömääräykset antavat tarkempia ohjeita asianmukaisesta hävittämisestä.

*2 Anna valtuutetun huoltokeskuksen suorittaa 200 käyttötunnin tarkastus.

VARASTOINTI

⚠ VAROITUS:

- Kun poistat polttoainetta, muista pysäyttää moottori ja tarkistaa, että moottori on jäähtynyt. Heti moottorin pysäyttämisen jälkeen moottori voi olla kuuma ja aiheuttaa palovammoja, syttymisen ja tulipalon.

⚠ HUOMIO:

- Jos laitteisto on pitkään käyttämättömänä, poista kaikki polttoaine polttoainesäiliöstä ja säilytä laitteisto kuivassa ja puhtaassa paikassa.

Ennen varastointia

- Poista kaikki vesi tyhjennysportista.
- Vedä moottorin takaisinkelautuvan käynnistimen kahvaa varovasti, kunnes tunnet vastusta.
- Kun polttoainesäiliössä oleva polttoaine on poistettu, painele esitäyttöpumppua, kunnes putkessa oleva polttoaine loppuu. Poista polttoaine pumppusta uudelleen.
- Aseta kaasuvipu asentoon "L".
- Pyyhi lika tai pöly pois.
- Säilytä pumppua kuivassa ja lämpimässä paikassa, jossa ei ole jäätymisvaaraa.

Kuljetus

Kun nostat ja siirät konetta, pidä kahvasta tukevasti kiinni molemmin käsin.

VIANMÄÄRITYS

Tarkista ongelma itse ennen korjauspyynnön tekemistä. Jos jotain epänormaalia löytyy, säädä laitetta tämän oppaan ohjeiden mukaisesti. Älä koskaan muuta tai irrota mitään osaa, ellei ohjeissa sanota niin. Jos tarvitaan korjausta, ota yhteys valtuutettuun huoltokeskukseen.

Ongelma	Syy	Korjaus
Moottori ei käynnisty	Esitäytöpumpppua ei käytetty.	Paina 7–10 kertaa.
	Käynnistysköyttä vedettiin liian hitaasti.	Vedä voimakkaasti.
	Polttoaineen puute.	Syötä polttoainetta.
	Tukkeutunut polttoaineen suodatin.	Puhdista se.
	Polttoaineputki irronnut.	Liitä polttoaineputki kunnolla.
	Polttoaineputki taipunut.	Suorista polttoaineputki.
	Vanhentunut polttoaine.	Vanhentunut polttoaine vaikeuttaa käynnistämistä. Vaihda uuteen polttoaineeseen. (Suositeltu vaihtoväli: 1 kuukausi).
	Liian voimakas polttoaineen imu.	Aseta kaasuvipu keski- tai "H"-asentoon ja vedä käynnistimen kahvaa, kunnes moottori käynnistyy. Jos moottori ei vielä käynnisty, irrota sytytystulppa, kuivaa elektrodi ja asenna takaisin. Käynnistä sitten ohjeiden mukaan.
	Irronnut sytytystulpan hattuu.	Kiinnitä tiukasti.
	Likaantunut sytytystulppa.	Puhdista se.
	Sytytystulpan kärkiväli epänormaali.	Säädä kärkiväli.
	Sytytystulppa muuten epänormaali.	Vaihda se.
	Kaasutin epänormaali.	Tilaa tarkastus ja huolto.
	Käynnistysköyttä ei voi vetää.	Tilaa tarkastus ja huolto.
	Käyttöjärjestelmä epänormaali.	Tilaa tarkastus ja huolto.
Moottori sammuu nopeasti Moottorin nopeus ei nouse	Riittämätön esilämmitys.	Suorita esilämmitys.
	Rikastinvipu on "CLOSE"-asennossa, vaikka moottori on lämmin.	Aseta "OPEN"-asentoon.
	Tukkeutunut polttoaineen suodatin.	Puhdista se.
	Likainen tai tukkeutunut ilmanpuhdistin.	Puhdista se.
	Kaasutin epänormaali.	Tilaa tarkastus ja huolto.
	Käyttöjärjestelmä epänormaali.	Tilaa tarkastus ja huolto.
Pumppu ei toimi.	Juoksupyörä takertelee.	Pyydä paikallista valtuutettua Makita-huoltokeskusta korjaamaan se.

Pumppausmäärä on pieni.	Imupuolelle pääsee ilmaa.	Tarkista imupuolen putket.
	Moottorin teho laskenut.	Pyydä paikallista valtuutettua Makita-huoltokeskusta korjaamaan se.
	Mekaanisen tiivisteiden rikkoutuminen.	Vaihda tiiviste.
	Suuri imukorkeus.	Laske imukorkeutta.
	Letku ohut, pitkä tai mutkalla.	Paksunna, lyhennä tai oikaise.
	Vesivuoto vesikanavasta.	Lopeta vuoto.
	Vieraan aineen aiheuttama tukos juoksupyörässä.	Pyydä paikallista valtuutettua Makita-huoltokeskusta korjaamaan se.
	Juoksupyörä kulunut.	Pyydä paikallista valtuutettua Makita-huoltokeskusta korjaamaan se.
Pumpun itsesyöttö ei toimi.	Imupuolella imetään ilmaa.	Tarkista imupuolen putket.
	Riittämätön esitäyttövesi pumppukotelossa.	Esitäytä täyteen.
	Tyhjennyshanaa ei ole kiristetty kunnolla.	Kiristä 2 tulppaa kunnolla.
	Moottorin riittämätön kierrosnopeus.	Pyydä paikallista valtuutettua Makita-huoltokeskusta korjaamaan se.
	Mekaanisesta tiivisteestä tulee ilmaa.	Vaihda tiiviste.

Kopskata skaidrojums

1 Aizbāznis (iesūkšanai)	13 Klusinātājs	26 Padeve
2 Padeve	14 Droseļvārsta svira	27 Sūkņšana
3 Sūkņšana	15 Startera rokturis	28 Sietfiltrs
4 Aizbāznis (notecināšanai)	16 Rokas starteris	29 Šļūtene (papildpiederums)
5 Sūkņa korpus	17 Eļļas mērstienis	30 Eļļas mērstienis
6 Rokturis	18 Pamatne	31 Augšējais līmenis
7 Aizdedzes sveces vāks	19 Droseles svira	32 Apakšējais līmenis
8 Gaisa atfiltrētājs	20 Blīve	33 Degvielas tvertnes vāciņš
9 Tvertnes vāciņš	21 Šļūtenes savienojums	34 Augšējais līmenis
10 Degvielas tvertne	22 Spārnuzgrieznis	35 Degvielas tvertne
11 Pašuzsūcošais sūknis	23 Šļūtenes skava	36 Degvielas caurule
12 I-O (ieslēgšanas/izslēgšanas) slēdzis	24 Šļūtene	
	25 Aizbāznis (iesūkšanai)	

Pateicamies, ka iegādājāties MAKITA dzinēja sūkni. Mēs esam gandarīti, ka varam jums piedāvāt MAKITA dzinēja sūkni, kuru esam radījuši, pateicoties pamaatīgai izstrādes programmai, kā arī ilggadīgām zināšanām un pieredzei.

Lūdzu, izlasiet šo rokasgrāmatu, kurā sīki aprakstīti dažādi aspekti, kas nodrošina instrumenta nevainojamu darbību. Tajā ir norādīts, kā lietot šo MAKITA dzinēja sūkni, lai panāktu pēc iespējas labāku rezultātu.

APZĪMĒJUMI

Lasot šo lietošanas rokasgrāmatu, lūdzu, ievērojiet šādus apzīmējumus.



Izlasiet lietošanas rokasgrāmatu un ievērojiet brīdinājumus un drošības tehnikas pasākumus.



Ievērojiet īpašu uzmanību un piesardzību.



Dzinēju nedrīkst lietot telpās.



Nepieskarieties dzinējam, ja tas ir karsts.



Atklāta liesma aizliegta!



Pirms iedarbināšanas pārbaudiet eļļas līmeni.



CE marķējums

⚠ BRĪDINĀJUMS!

- PIRMS INSTRUMENTA EKSPLUATĀCIJAS RŪPĪTI IZLASIET UN IZPROTIET ŠO ROKASGRĀMATU.

Turpmāk redzami apzīmējumi ataino svarīgu informāciju par drošību. Vienmēr ievērojiet šos norādījumus. Instrumenta nepareizas ekspluatācijas rezultātā var rasties smagi negadījumi.

⚠ BĪSTAMI! Ja netiek ievēroti noteikumi, var iestāties nāve vai tikt izraisīti smagi ievainojumi.

⚠ BRĪDINĀJUMS! Ja netiek ievēroti BRĪDINĀJUMI, operatoram, blakus stāvošām personām vai instrumenta apkopes vai remonta speciālistam var iestāties nāve vai tikt izraisīti smagi ievainojumi.

⚠ UZMANĪBU! Ar UZMANĪBU tiek apzīmēti īpaši piesardzības pasākumi, kas jāievēro, lai negūtu ievainojumus un nesabojātu instrumentu.

PIEZĪME. PIEZĪMĒS ir sniegta noderīga informācija, lai būtu vieglāk un saprotamāk lietot instrumentu.

DROŠĪBAS NOTEIKUMI

- Šajā lietošanas rokasgrāmatā izklāstīti iekārtas vispārējie lietošanas principi un norādījumi. Pirms instrumenta ekspluatācijas rūpīgi izlasiet šo lietošanas rokasgrāmatu un stingri ievērojiet visus drošības noteikumus.
- Glabājiet šo lietošanas rokasgrāmatu drošā vietā turpmākai uzziņai. Gadījumā, ja rokasgrāmata ir nozaudēta vai sabojāta, pieprasiet Makita pilnvarotajam apkopes centram izsniegt jaunu.
- Aizdodot vai atdodot instrumentu citiem, tam vienmēr jābūt pievienotai lietošanas rokasgrāmatai un pārējiem informatīviem materiāliem.
- Mūsu nepārtrauktās pētniecības un izstrādes programmas rezultātā šeit norādītie instrumenta tehniskie dati var tikt mainīti bez brīdinājuma. Konkrētais instruments var atšķirties no šīs rokasgrāmatas attēliem un apraksta.
- Ja vēlaties uzzināt sīkāku informāciju, vērsieties pie vietējā izplatītāja vai Makita pilnvarotā apkopes centrā.

Instrumenta paredzētā lietošana

Šis instruments paredzēts tikai ūdens laistīšanai un apūdeņošanai.

Tas sūknē vienīgi tīru ūdeni.

⚠ BĪSTAMI!

- Šo instrumentu nedrīkst pārveidot vai pārbūvēt.
- Nelietojiet instrumentu citiem nolūkiem, kam tas nav paredzēts.
- Apkopes un remonta nolūkiem izmantojiet tikai oriģinālās, apstiprinātās rezerves daļas.
- Ja netiek ievēroti šie brīdinājumi, var nopietni sabojāt instrumentu vai gūt smagus ievainojumus.

PIESARDZĪBAS PASĀKUMI ATTIECĪBĀ UZ IZPLŪDES GĀZĒM

- Izplūdes gāzes nedrīkst ieelpot. To sastāvā ir oglekļa monoksīds — ārkārtīgi bīstama gāze bez krāsas un smaržas, kas var izraisīt bezsamaņu vai nāvi.
- Nekādā gadījumā nedarbiniet dzinēju telpā ar nepietiekamu ventilāciju, piemēram, tunelī, alā u.c.
- Ievērojiet īpašu piesardzību, ja, darbinot dzinēju, tuvumā atrodas citi cilvēki vai dzīvnieki.
- Raugieties, lai izplūdes cauruli nenosprostotu svešķermeņi.

PIESARDZĪBAS PASĀKUMI ATTIECĪBĀ UZ UZPILDĪŠANU

- Pirms uzpildīšanas dzinējam jābūt izslēgtam.
- Neuzpildiet tvertnē pārāk daudz degvielas.
- Ja degviela izlijusi, uzmanīgi to saslaukiet un pirms dzinēja iedarbināšanas nogaidiet, līdz degviela pilnībā nožuvusi.
- Pēc uzpildīšanas pārlicinieties, vai degvielas vāciņš ir cieši aizvērts, lai degviela neizšļakstītos.

UGUNSDROŠĪBA

- Strādājot ar instrumentu, nesmēķējiet, kā arī neturiet to atklātas liesmas tuvumā.
- Instruments darba laikā nedrīkst atrasties sakaltušu krūmu, zaru, auduma gabalu vai citu uzliesmojošu priekšmetu tuvumā.
- Dzinējam jāatrodas vismaz 1 metra attālumā no ēkām un citām būvēm.
- Instruments nedrīkst darboties uzliesmojošu un citu bīstamu materiālu (atkritumu, lupatu, smērvielu, sprāgstvielu) tuvumā.

Tikai Eiropas valstīm

EK atbilstības deklarācija

Ar šo atbildīgais ražotājs Makita Corporation paziņo, ka šāds(-i) Makita instruments(-i):

Instrumenta apzīmējums: Dzinēja sūknis
Modeļa Nr./veids: EW1050H, EW1060H
Tehniskie dati: sk. tabulu „TEHNISKIE DATI”

ir sērijveida ražojums un

Atbilst šādām Eiropas direktīvām:

2000/14/EC, 2006/42/EC, 2010/26/EU,
2004/108/EC, 2000/14/EC, 2005/88/EC

Un ir ražots saskaņā ar šādiem standartiem vai standartizētiem dokumentiem:

EN 809, EN 55012

Tehnisko dokumentāciju glabā:

Makita International Europe Ltd., Tehniskā nodaļa,
Michigan Drive, Tongwell, Milton Keynes, Bucks
MK15 8JD, ENGLAND

Direktīvā 2000/14/EC noteiktā atbilstības novērtēšanas procedūra tika veikta saskaņā ar V pielikumu.

Novērtētās skaņas jaudas līmenis: 100,9 dB(A)

Garantētās skaņas jaudas līmenis: 109 dB(A)

31.8.2012



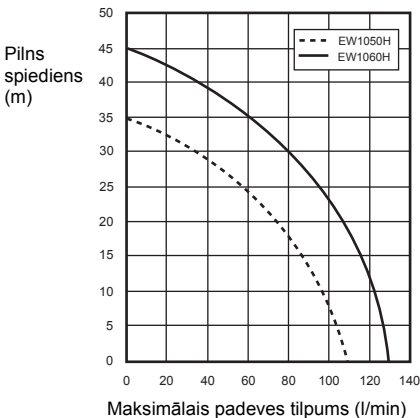
Tomoyasu Kato
Direktors

Makita Corporation
3-11-8, Sumiyoshi-cho,
Anjo, Aichi, JAPAN

TEHNISKIE DATI

		EW1050H	EW1060H	
Svars	kg	5,8	7,3	
Izmēri	mm	327 x 231 x 319	356 x 234 x 336	
Veids		Pašuzsūcošais CENTRĒDZES SŪKNIS		
Diametri (sūknēšana-izplūde)	collas	1		
Pilns spiediens	m	35	45	
Maksimālais padeves tilpums	l/min	110	130	
Maksimālais sūknēšanas augstums	m	8	8	
Ietilpība (degvielas tvertne)	l	0,5	0,65	
Ietilpība (eļļas tvertne)	l	0,08	0,1	
Dzinēja darba tilpums	cm ³	24,5	33,5	
Maksimālā dzinēja jauda	kW	0,71 pie 7 000 min ⁻¹	1,07 pie 7 000 min ⁻¹	
Karburators	veids	Diafragma		
Aizdedzes sistēma	veids	Bezkontakta aizdedzes sistēma		
Aizdedzes svece	veids	NGK CMR6A		
Attālums starp elektrodiem	mm	0,7 – 0,8		
Degviela		Automobiļu benzīns		
Dzinēja eļļa		API klasifikācijas SAE 10W-30 eļļa — SF klase vai augstāka (4 taktu motoreļļa automobiļiem)		
Atbilstīga ūdens temperatūra	°C	5 – 40	5 – 40	
Skaņas spiediena līmenis	L _{pA eq}	dB (A)	88,4	88,4
	Neprecizitāte K	dB (A)	3	3
Skaņas jaudas līmenis	L _{WA, d}	dB (A)	109	109

Piezīme. Darba laikā valkājiet ausu aizsargus.



DETAĻU APZĪMĒJUMI (1., 2. att.)

SALIKŠANA (3. att.)

⚠ BRĪDINĀJUMS!

- Pirms darbošanās ar instrumentu jāaptur dzinējs.
- Iedarbiniet dzinēju tikai tad, kad instruments ir pilnībā salikts.

ŠĻŪTEŅU UZSTĀDĪŠANA

1. Piestipriniet sūkņim šļūteņu savienojumus.

⚠ UZMANĪBU!

- Pirms savienojumu piestiprināšanas salieciet blīves.
2. Ar skavas palīdzību nostipriniet šļūtenes pie savienojumiem.
 - Pārbaudiet, vai šļūtenes skava ir cieši savilkta.
 3. Piestipriniet sietfiltru sūknēšanas šļūtenes galā.

PIEZĪME.

- Ja radusies gaisa noplūde, ūdeni nevar iesūknēt.

⚠ UZMANĪBU!

- Nenogemiet sietfiltru, jo pretējā gadījumā sūkni var sabojāt svešķermeņi.
Pārbaudiet, vai šļūtenes skava ir cieši savilkta.

PĀRBAUDES PIRMS EKSPLOATĀCIJAS

⚠ BRĪDINĀJUMS!

- Pirms darbošanās ar instrumentu jāaptur dzinējs. Turklāt instruments jānovieto uz līdzenas un stabilas virsmas.
- Pirms dzinēja iedarbināšanas pārbaudiet, vai nav vaļīgas skrūves vai savienojuma detaļas.
- Veicot pārbaudi vai remontu, nepieskarieties ar ķermeņa daļām vai apģērbu pie dzinēja un klusinātāja, ja tie ir karsti.
- Īpaši rūpējieties par ventilāciju. Uzmanieties no saindēšanās ar CO gāzēm.

DZINĒJA EĻĻAS PĀRBAUDE UN UZPILDĪŠANA

(4. att.)

Kad dzinējs atdzisis, rīkojieties šādi.

- Pārbaudiet, vai dzinējs novietots horizontāli.
- Neievietojiet eļļas mērstieni uzpildīšanas atverē, lai pārbaudītu eļļas līmeni.
- Pārbaudiet, vai eļļas līmenis atrodas starp eļļas mērstieņa augstākā un zemākā līmeņa atzīmēm.
- Ja tas ir zem zemākās eļļas līmeņa atzīmes, uzpildiet eļļu.
- Parasti eļļa jāuzpilda aptuveni ik pēc 10 darba stundām (ik pēc 10 degvielas uzpildīšanas reizēm).
- Ja eļļa maina krāsu vai kļūst netīra, nomainiet to pret jaunu.

Leteicamā eļļa: API klasifikācijas SAE 10W-30 eļļa — SF klase vai augstāka (4 taktu motoreļļa automobiļiem)

Eļļas daudzums:

Modelim EW1050H: Aptuveni 0,08 l

Modelim EW1060H: Aptuveni 0,1 l

PIEZĪME.

- Ja dzinējs neatrodas horizontālā stāvoklī, eļļas līmenis var tikt uzrādīts nepareizi, tādējādi jūs varat uzpildīt pārāk daudz eļļas. Ja eļļa tiek uzpildīta virs augšējā līmeņa atzīmes, tā var kļūt netīra vai degot dūmot.

Dzinēja eļļas uzpildīšana

1. Turiet dzinēju horizontāli un izņemiet eļļas mērstieni.
2. Uzpildiet eļļu līdz augšējai līmeņa atzīmei. Lejiet eļļu no pudeles.
3. Cieši nostipriniet eļļas mērstieni. Pretējā gadījumā var rasties eļļas noplūde.

Pēc eļļas uzpildīšanas

- Nekavējoties ar lupatiņu notīriet izšļakstīto eļļu.

Eļļas nomaina: eļļas mērstienis

- Notīriet putekļus vai netīrumus visapkārt eļļas uzpildīšanas atverei.
- Nenotraipect eļļas mērstieni ar smiltīm vai putekļiem. Pretējā gadījumā smiltis vai putekļi, kas pielīp pie eļļas vāciņa, izraisa neregulāru eļļas cirkulāciju vai dzinēja detaļu nolietošanu.

DEGVIELA

⚠ BRĪDINĀJUMS!

- Degviela ir ļoti viegli uzliesmojoša un indīga. Darbojoties ar degvielu, turiet to drošā attālumā no atklātas liesmas (cigaretēm, krāsnīm, salūta), elektriskām dzirkstelēm (baterijām, Tssavienojuma, Tssavienojuma dzirkstelēm, metināšanas dzirkstelēm u.c.).
- Pirms uzpildīšanas dzinējam jābūt izslēgtam. Uzpildiet degvielu tikai tad, ja dzinējs ir atdzisis.
- Arī citos gadījumos, pat tad, ja noliejat degvielu nelielā tvertnē, vienmēr ievērojiet lielu piesardzību.
- Pēc uzpildīšanas cieši nostipriniet degvielas tvertnes vāciņu un noslaukiet visu izšļakstīto degvielu.

Darbošanās ar degvielu

Darbojoties ar degvielu, jāievēro ārkārtīga piesardzība. Degvielā var būt šķīdinātājiem līdzīgas vielas. Degviela jāuzpilda telpā ar pietiekami labu ventilāciju vai brīvā dabā. Nekādā gadījumā neieelpojiet degvielas tvaikus un turiet degvielu drošā attālumā. Regulāra vai ilgstoša saskare ar degvielu sausina ādu, kas tādējādi var izraisīt ādas slimības vai alerģiju. Ja degviela nokļūst acīs, skalojiet tās ar tīru ūdeni. Ja acis joprojām tiek kairinātas, vērsieties pie ārsta.

Degvielas glabāšanas termiņš

Degviela jāizlieto 4 nedēļu laikā, pat ja to uzglabā īpaši tai paredzētā tvertnē tumšā vietā, kur ir laba ventilācija. Pretējā gadījumā degvielas kvalitāte var zust vienas dienas laikā.

Instrumenta uzpildīšanas tvertnes glabāšana

- Glabājiet instrumentu un tvertni vēsā vietā, kur nav tiešu saules staru.
- Degvielu nedrīkst glabāt transportlīdzeklī.

Degvielas veids:

Šis ir četraktu dzinējs. Tas jāuzpilda ar bezsvina automobiļu benzīnu, kam oktāna skaitlis ir vismaz 87 ((R+M)/2). Tā sastāvā var būt vairāk nekā 10% spirta (E-10).

- Nekādā gadījumā nelietojiet tādu benzīna maisījumu, kura sastāvā ir dzinēja eļļa. Pretējā gadījumā uzkrājas pārāk daudz oglekļa vai rodas mehāniski defekti.

Degvielas tvertnes ietilpība:

Modelim EW1050H: 0,5 l

Modelim EW1060H: 0,65 l

Degvielas uzpildīšana (5. att.)

1. Novietojiet dzinēju horizontālā stāvoklī.
2. Mazliet paskrūvējiet vājā degvielas tvertnes vāciņu, lai tvertnē samazinātu spiedienu.
3. Nogemiet degvielas tvertnes vāciņu un uzpildiet degvielu. Degvielu NEDRĪKST uzpildīt līdz tvertnes malām.
4. Pēc uzpildīšanas cieši pieskrūvējiet degvielas tvertnes vāciņu.
 - Rūpīgi apslaukiet visapkārt degvielas tvertnes vāciņam, lai degvielas tvertnē neiekļūtu netīrumi.
 - Ja degvielas tvertnes vāciņš ir deformēts vai bojāts, nomainiet pret jaunu.
 - Laika gaitā degvielas tvertnes vāciņš nolietojas. Nomainiet to ik pēc 2 vai 3 gadiem.
 - Eļļas uzpildīšanas atverē NEDRĪKST liet degvielu.

Ūdens iesūkšana (6. att.)

⚠ UZMANĪBU!

- Ja sūkņa korpusā nav ūdens, sūkni nedrīkst darbināt. Pretējā gadījumā var sabojāt mehānisko izolāciju.

Izņemiet iesūkšanas aizbāzni un ielejiet tīru ūdeni, līdz sūkņa korpusā ir pilns ar ūdeni. Pēc uzpildīšanas cieši nostipriniet iesūkšanas aizbāzni.

PIEZĪME.

- Ja ūdens netiek pietiekami labi pašsūknēts, zūd pašsūkšanas kvalitāte.
- Sūknim jābūt novietotam uz cietas pamatnes un pēc iespējas tuvāk ūdens avotam.
- Jo augstāk atrodas sūkņēšanas galviņa, jo ilgāks laiks vajadzīgs ūdens iesūkšanai ar mazāku pavedi.

DZINĒJA PĀRBAUDE:

- Rūpīgi pārbaudiet, vai degvielas šļūtenes un savienojumi nav vaļīgi un tajos nav degvielas noplūdes. Degvielas noplūde var radīt bīstamus apstākļus.
- Pārbaudiet, vai skrūves un uzgriežņi nav vaļīgi. Ja ir, pievelciet tos. Vaļīga skrūve vai uzgrieznis var izraisīt nopietnus dzinēja bojājumus.
- Pārbaudiet dzinēja eļļas līmeni un pēc vajadzības uzpildiet.
- Pārbaudiet degvielas līmeni un pēc vajadzības uzpildiet. Raugieties, lai neuzpildītu pārāk daudz degvielas.
- Regulāri iztīriet dubļus, zāli un citus netīrumus no cilindra ribām un rokas startera.
- Strādājot ar dzinēju, valkājiet cieši piegulošu darba apģērbu.

EKSPLUATĀCIJA

⚠ BRĪDINĀJUMS!

- Nekādā gadījumā nepieskarieties karstam dzinēja klusinātājam, it īpaši iedarbinot dzinēju. Dzinējam darbojoties, klusinātājs kļūst karsts.
- Kad sūknis darbojas, nelieciet rokas vai svešķermeņus redukcijas vārstos.

⚠ BRĪDINĀJUMS!

Uzmanieties no hidrauliskā sitiena

- Raugieties, lai pār pavedes šļūteni nebrauktu transportlīdzekļa ritenis. Nenoslēdziet pavedes vārstu strauji, jo tādējādi rodas hidrauliskais sitiens, kas var sūknim nodarīt nopietnus bojājumus.

Ledarbināšana:

⚠ UZMANĪBU!

- Tūlīt pēc iedarbināšanas nepalīeliniet dzinēja apgriezienus, jo viss mehānisms vēl nav vienmērīgi ieeļļojies. Nevajadzīgi palielinot apgriezienus, sātsinās instrumenta kalpošanas laiks vai tas sabojājas.

1. Pārbaudiet, vai sūkņa korpusā ir ūdens.
2. Pārbaudiet, sietfiltrs atrodas zem ūdens.

⚠ UZMANĪBU!

- Ja ūdenstilpes grunts ir klāta ar dubļiem vai smiltīm, veiciet profilaktiskus pasākumus sietfiltra pasargāšanai no tiem.
3. Pārbaudiet, vai pavedes šļūtenes gals nav aizsprostots.
 4. Pagrieziet dzinēja I-O (ieslēgšanas/izslēgšanas) slēdzi stāvoklī "I" (ieslēgts).
 5. Drozeles svirai jābūt pret atzīmi "L". (7. att.)

6. Turpiniet pumpēt pašsūcošo sūkni, līdz tajā iekļūst degviela. (Parasti jāpumpē 7 – 10 reizes.)

7. Noregulējiet droseļvārsta sviru.

- Ja dzinējs ir auksts vai apkārtējā temperatūra zema, aizveriet droseļvārsta sviru līdz galam. (8. att.)
- Ja dzinējs ir silts vai apkārtējā temperatūra augsta, atveriet droseļvārsta sviru līdz pusei vai turiet to pilnībā atvērtu.

8. Uzmanīgi pavelciet startera rokturi, līdz sajūtat zināmu pretestību. Pēc tam atlaidiet to vietā un spēcīgi paraujiet.

Nekādā gadījumā neraujiet trosi līdz galam.

Kad startera rokturis ir izvilkt, nekādā gadījumā to uzreiz neatlaidiet. Turiet startera rokturi tikmēr, kamēr tas atgriežas sākotnējā stāvoklī.

Ja dzinēju ir grūti iedarbināt, atveriet droseļvārstu par apmēram 1/3.

9. Kad dzinējs ir iedarbināts, iestatiet droseļvārsta sviru stāvoklī "OPEN" (atvērts), ja to esat aizvēris. (9. att.)

10. Nogaidiet, līdz dzinējs ir pietiekami uzsilis. 2 – 3 minūtes turpiniet sildīšanu stāvoklī "L".

Dzinēja darbināšana:

Pagrieziet droseles sviru vidējā stāvoklī un pārbaudiet, vai no pavedes šļūtenes tek ūdens.

Darba beigšana

Dzinēja izslēgšana

Pagrieziet droseles sviru stāvoklī "L", lai dzinējs darbotos ar vismazākajiem apgriezieniem.

Pagrieziet dzinēja I-O (ieslēgšanas/izslēgšanas) slēdzi stāvoklī "O" (izslēgts).

Ūdens notecināšana pēc darba

Ziemā, gaisa temperatūrai pazeminoties zem 0°C, ūdens sūkņa korpusā sasals, tāpēc sūkns var sabojāties. Pēc darba noteciniet ūdeni pa notecināšanas atveri apakšpusē.

APKOPES NOTEIKUMI

⚠ BRĪDINĀJUMS!

- Pirms darbošanās ar instrumentu jāaptur dzinējs. Veiciet instrumentam apkopi tikai tad, ja dzinējs ir atdzisis.

⚠ UZMANĪBU!

- Apkopes laikā nemazgājiet dzinēju ar ūdeni.

DZINĒJA EĻĻAS NOMAIŅA

⚠ BRĪDINĀJUMS!

- Tūlīt pēc dzinēja izslēgšanas dzinējs un tā eļļa vēl ir karsti. Nogaidiet pietiekami ilgi, līdz dzinējs un eļļa ir atdzisuši. Pretējā gadījumā var gūt ādas apdegumus.

⚠ UZMANĪBU!

Nomainot eļļu, parūpējieties par pareizu atbrīvošanos no eļļas atkritumiem. To nedrīkst novadīt notekūdeņos, dārza augsnē vai upēs. Sīkāku informāciju par pareizu atbrīvošanos no eļļas atkritumiem skatiet vietējos zonu vai vides noteikumus. Noliecieties dzinēja eļļa saīsina dzinēja kalpošanas laiku. Regulāri pārbaudiet eļļas stāvokli un līmeni.

PIEZĪME.

- Ja eļļa ir uzpildīta vairāk par noteikto līmeņa atzīmi, tā var piesārņoties vai degot dūmot. Pēc dzinēja izslēgšanas nogaidiet pietiekami ilgi, lai dzinēja eļļa atgrieztos eļļas tvertnē un lai varētu precīzi nolasīt tās līmeni.

Nomaiņas intervāli: vispirms pēc pirmajām 20 darba stundām, pēc tam ik pēc 50 darba stundām.

Leteicamā eļļa: API klasifikācijas SAE 10W-30 eļļa — SF klase vai augstāka (4 taktu motoreļļa automobiļiem)

Eļļas daudzums:

Modelim EW1050H: Aptuveni 0,08 l

Modelim EW1060H: Aptuveni 0,1 l

1. Izņemiet ārā eļļas mērstieni. (10. att.)

Uzmanīgi novietojiet to vietā, kur tas nenosmērēties ar netīrumiem, putekļiem vai citiem svešķermeņiem.

2. Eļļas uzpildīšanas atverei visapkārt nokļājiēt lupatiņu vai papīra dvieļi.

3. Izņemiet eļļas mērstieni, tad paceliet dzinēju un iztecīniet eļļu pannā vai citā piemērotā traukā.

4. Novietojiet instrumentu uz līdzenas virsmas. Uzpildiet jaunu eļļu no plastmasas pudeles vai cita piemērota trauka. Uzpildiet eļļu līdz uzpildīšanas maksimālajai atzīmei. (4. att.)

5. Kad eļļa uzpildīta, no jauna ievietojiet eļļas mērstieni. Pārbaudiet, vai mērstienis cieši nostiprināts, jo, ja tas ir valģīgs, rodas eļļas noplūde.

AIZDEDZES SVECES PĀRBAUDE (11. att.)

▲ UZMANĪBU!

• Nekādā gadījumā nepieskarieties aizdedzes sveces savienotājam, kamēr dzinējs darbojas (augstsprieguma elektriskās strāvas trieciena risks).

Tīrīšanas un pārbaudes intervāls: katru dienu (ik pēc 10 darba stundām)

– Aizdedzes sveces nostiprināšanai vai izņemšanai izmantojiet tikai komplektācijā iekļauto universālo uzgriežņatslēgu.

– Attālumam starp diviem aizdedzes sveces elektrodziem jābūt 0,7 – 0,8 mm.

Ja attālumam ir pārāk liels vai mazs, noregulējiet to. Ja aizdedzes svece ir aizsērējusi vai netīra, rūpīgi notīriet vai nomainiet pret jaunu.

GAISA ATTĪRĪTĀJA TĪRĪŠANA (12. att.)

▲ BRĪDINĀJUMS!

• Izslēdziet dzinēju. Turiet to drošā attālumā no atklātas liesmas.

Ja gaisa attīrītāja elements ir netīrs, instrumentu ir grūti iedarbināt, tam zūd jauda, rodas dzinēja kļūmes un ievērojami saīsinās dzinēja kalpošanas laiks. Rūpējieties, lai gaisa attīrītāja elements būtu tīrs.

Tīrīšanas un pārbaudes intervāls: katru dienu (ik pēc 10 darba stundām)

1. Pagrieziet droseļvārsta sviru līdz galam aizvērtā stāvoklī, lai karburatorā neiekļūtu putekļi un netīrumi.

2. Atskrūvējiet gaisa attīrītāja pārsega stiprinājuma skrūvi.

3. Izvelciet uz ārpusi pārsega apakšējo malu, lai varētu noņemt pārsegu.

4. Izņemiet elementu un notīriet ar silta ūdenī izšķīdinātu maigu tīrīšanas līdzekli, pēc tam rūpīgi izžāvējiet.

5. Uzstādiet to atpakaļ tā, kā redzams attēlā.

6. Ar lupatiņu notīriet eļļu visapkārt gaisa attīrītāja pārsegam un spiediena izlīdzinātājam.

7. Kad attīrītāja pārsegs ir tīrs, uzstādiet to no jauna (vispirms ievietojiet augšējo mēlīti, tad — apakšējo) un pieskrūvējiet ar stiprinājuma skrūvi.

DEGVIELAS FILTRA TĪRĪŠANA

▲ BRĪDINĀJUMS!

• Izslēdziet dzinēju. Turiet to drošā attālumā no atklātas liesmas. Nesmēķējiet.

Tīrīšanas un pārbaudes intervāls: reizi mēnesī (ik pēc 50 darba stundām)

Degvielas filtrs paredzēts degvielas filtrēšanai karburatora vajadzībām. Regulāri jāveic degvielas filtra vizuāla apskate.

1. Atveriet degvielas tvertnes vāciņu un pa tvertnes atveri ar stieples galā piestiprinātu āķi izvelciet sūkņēšanas galviņu.

2. Noņemiet šļūtenes skavu un no degvielas caurules izvelciet degvielas filtru.

3. Nomazgājiet degvielas filtru ar petroleju.

4. Kad tas tīrs, no jauna uzstādiet.

5. Ja filtrs ir sacietējis vai aizsērējis, nomainiet pret jaunu.

Nomainiet degvielas filtru vismaz reizi ceturksnī, lai nodrošinātu pietiekamu degvielas padevi karburatoram. Pretējā gadījumā pārāk niecīga degvielas padeve var traucēt dzinēja iedarbināšanu un ierobežot maksimālos apgriezīenus.

Kad degvielas filtrs pārbaudīts, notīrīts vai nomainīts pret jaunu, uzstādiet to uz degvielas caurules un nostipriniet ar šļūtenes skavu.

Iespiediet degvielas filtru līdz galam degvielas tvertnes pamatnē. (13. att.)

DEGVIELAS CAURULES NOMAIŅA (14. att.)

▲ BRĪDINĀJUMS!

• Izslēdziet dzinēju. Turiet to drošā attālumā no atklātas liesmas.

Tīrīšanas un pārbaudes intervāls: katru dienu (ik pēc 10 darba stundām)

Nomaiņa: reizi gadā (ik pēc 200 darba stundām)

Reizi gadā nomainiet degvielas cauruli, neskatoties uz ekspluatācijas biežumu. Degvielas noplūde var izraisīt aizdegšanos.

Ja pārbaudes laikā konstatēta noplūde, nekavējoties nomainiet degvielas cauruli pret jaunu.

BULTSKRŪVJU, UZGRIEŽŅU UN SKRŪVJU PĀRBAUDE

– Pievelciet valģīgās skrūves, uzgriežņus u.c.

– Pārbaudiet, vai degvielas vāciņš un eļļas vāciņš ir cieši aizvērti. Pārbaudiet, vai nav degvielas un eļļas noplūdes.

– Nomainiet bojātās detaļas pret jaunām, lai būtu droši strādāt ar instrumentu.

DETAĻU TĪRĪŠANA

– Dzinējs regulāri jātīra, noslaukot ar lupatiņu.

– Regulāri iztīriet putekļus un netīrumus no cilindru ribām. Ja pie ribām ir pielipuši putekļi vai netīrumi, var iestrēgt virzulis.

Regulārās apkopes grafiks

Nosaukums	Ekspluatācijas laiks	Pirms ekspluatācijas	Katru dienu (10 h)	50 h	200 h	Pirms uzglabāšanas
Dzinēja eļļa	Pārbaudīt/uzpildīt	○				
	Nomainīt			○*1		
Stiprinājuma detaļas (skrūves, uzgriežņi)	Pārbaudīt	○				
Degvielas tvertne	Tīrīt/pārbaudīt	○				
	Notecināt degvielu					○
Droseles svira	Pārbaudīt funkciju	○				
I-O (ieslēgšanas/izslēgšanas) slēdzis	Pārbaudīt funkciju	○				
Gaisa attīrītājs	Tīrīt		○			
Aizdedzes svece	Pārbaudīt		○			
	Tīrīt/regulēt				○	
Gaisa kanāla un cilindra ribu tīrīšana	Tīrīt/pārbaudīt		○			
Degvielas caurule	Pārbaudīt		○			
	Nomainīt				◎*2	
Degvielas filtrs	Tīrīt/mainīt			○		
Attālums starp vārstiem (ieplūdes un izplūdes vārsts)	Pārbaudīt/regulēt				◎*2	
Pēc vajadzības — dzinēja kapitālremonts					◎*2	
Karburators	Notecināt degvielu					○
Sūknis	Tīrīt		○			
Sietfiltrs	Pārbaudīt/tīrīt	○				

*1 Sākotnējo nomainīšanu veiciet pēc 20 darba stundām.

Nomainot eļļu, parūpējieties par pareizu atbrīvošanos no eļļas atkritumiem. To nedrīkst novadīt notekūdeņos, dārza augsnē vai upēs. Sīkāku informāciju par pareizu atbrīvošanos no eļļas atkritumiem skatiet vietējos zonu vai vides noteikumus.

*2 Pārbaude pēc 200 darba stundām jāveic pilnvarotā apkopes centrā.

GLABĀŠANA

⚠ BRĪDINĀJUMS!

- Pirms degvielas iztecināšanas vispirms jāizslēdz dzinējs un jānogaida, līdz tas ir atdzisis. Uzreiz pēc dzinēja izslēgšanas tas vēl var būt tik karsts, ka izraisa apdegumus, aizdedzina viegli uzliesmojošus priekšmetus un izraisa ugunsgrēku.

⚠ UZMANĪBU!

- Ja instrumentu novieto ilgstošā glabāšanā, izteciniet no degvielas tvertnes visu degvielu un novietojiet glabāšanā sausā un tīrā vietā.

Pirms uzglabāšanas

- Izvadiet visu ūdeni no notecināšanas atveres.
- Uzmanīgi pavelciet dzinēja rokas starteri, līdz sajūtat pretestību.
- Kad degviela ir iztukšota no degvielas tvertnes, pumpējiet pašsūcošo sūkni tikmēr, kamēr iztecināt visu degvielu no gāzes caurules. Vēlreiz noteciniet no sūkņa degvielu.
- Pagrieziet droseles sviru stāvoklī "L".
- Noslaukiet visus putekļus un neīrumus.
- Glabājiet sūkni sausā, siltā vietā, kur to neskar sals.

Pārvadāšana

Paceļot un pārvadājot iekārtu, cieši turiet rokturi ar abām rokām.

PROBLĒMU NOVĒRŠANA

Pirms pieprasāt veikt remontu, vispirms noskaidrojiet, vai problēmu nevar novērst pašu spēkiem. Ja novērojams kas neparasts instrumenta darbībā, rīkojieties tā, kā norādīts šajā rokasgrāmatā. Nedrīkst remontēt instrumentu vai to izjaukt tā, kā šeit nav minēts. Remonta jautājumos sazinieties ar pilnvarotu apkopes centru.

Problēma	Cēlonis	Risinājums
Dzinējs nesāk darboties	Pašuzsūcošais sūknis nesāk darboties.	Pumpējiet to 7 – 10 reizes.
	Startera trosei vājš rāviena spēks.	Spēcīgi paraujiet.
	Nepietiek degvielas.	Uzpildiet degvielu.
	Aizsērējis degvielas filtrs.	Iztīriet to.
	Atvienojusies degvielas caurule.	Pareizi piestipriniet degvielas cauruli.
	Saliekusies degvielas caurule.	Iztaisnoiet degvielas cauruli.
	Nolietojusies degviela.	Ar nolietotu degvielu daudz grūtāk iedarbināt dzinēju. Uzpildiet jaunu degvielu. (Lceteicamais maiņas intervāls: 1 mēnesis.)
	Tiek iesūknēts pārmērīgs daudzums degvielas.	Iestatiet droseles sviru vidējā vai "H" stāvoklī un paraujiet startera rokturi, līdz dzinējs sāk darboties. Ja dzinējs joprojām nedarbojas, izņemiet aizdedzes sveci, nosusiniet elektrodus un ievietojiet sveci atpakaļ. Pēc tam iedarbiniet dzinēju, kā norādīts.
	Noņemts aizdedzes sveces vāciņš.	Cieši piestipriniet.
	Piesārņota aizdedzes svece.	Iztīriet to.
	Nepareizs aizdedzes sveces klīrenss.	Noregulējiet klīrensu.
	Citas problēmas ar aizdedzes sveci.	Nomainiet pret jaunu.
	Problēmas ar karburatoru.	Pieprasiet veikt pārbaudi un apkopi.
Nevar paraut startera trosi.	Pieprasiet veikt pārbaudi un apkopi.	
Problēmas ar piedziņas sistēmu.	Pieprasiet veikt pārbaudi un apkopi.	
Dzinējs ātri vien pārstāj darboties Dzinēja apgriezieni nepaliek neparalēlinās	Nav pietiekami uzsildīts.	Uzsildiet dzinēju.
	Droseļvārsta svira ir iestatīta stāvoklī "CLOSE" (aizvērts), kaut arī dzinējs ir silts.	Iestatiet stāvoklī "OPEN" (atvērts).
	Aizsērējis degvielas filtrs.	Iztīriet to.
	Piesārņots vai aizsērējis gaisa attīrītājs.	Iztīriet to.
	Problēmas ar karburatoru.	Pieprasiet veikt pārbaudi un apkopi.
	Problēmas ar piedziņas sistēmu.	Pieprasiet veikt pārbaudi un apkopi.
Sūknis nedarbojas.	Lāpstīņritenis iestrēgst.	Pieprasiet vietējam Makita pilnvarotajam apkopes centram to salabot.

Tiek iesūknēts necīgs daudzums.	Sūknēšanas atverē iekļūst gaiss.	Pārbaudiet sūknēšanas cauruļvadus.
	Krītas dzinēja darba efektivitāte.	Pieprasiet vietējam Makita pilnvarotajam apkopes centram to salabot.
	Bojāta mehāniskā izolācija.	Nomainiet izolāciju.
	Liels sūknēšanas augstums.	Pazeminiet sūknēšanas augstumu.
	Pārāk plāna, gara vai savijusies šļūtene.	Nomainiet pret biežāku; saīsiniet vai iztaisnojiet.
	Ūdens kanālā ūdens noplūde.	Novērsiet noplūdi.
	Lāpstīrīteni nosprosto svešķermeņi.	Pieprasiet vietējam Makita pilnvarotajam apkopes centram to salabot.
	Nodilis lāpstīrītenis.	Pieprasiet vietējam Makita pilnvarotajam apkopes centram to salabot.
Sūknis neveic pašsūkšanu.	Sūknēšanas atverē iekļūst gaiss.	Pārbaudiet sūknēšanas cauruļvadus.
	Sūkņa korpusā iesūknēts pārāk maz ūdens.	Iesūknējiet pilnu ar ūdeni.
	Notecināšanas krāns nav cieši noslēgts.	Cieši nostipriniet abus aizbāžņus.
	Nepietiekami dzinēja apgriezieni.	Pieprasiet vietējam Makita pilnvarotajam apkopes centram to salabot.
	Mehāniskā izolācija laiž garām gaisu.	Nomainiet izolāciju.

Bendrojo vaizdo paaiškinimas

1 Kamštis (pripylimo)	13 Duslintuvas	26 Tiekimas
2 Tiekimas	14 Droselinės sklendės svirtis	27 Siurbimas
3 Siurbimas	15 Paleidiklio rankenėlė	28 Koštuvas
4 Kamštis (išleidimo)	16 Rankinis paleidiklis	29 Žarna (papildomai įsigyjamas priedas)
5 Siurblio korpusas	17 Alyvos matuoklis	30 Alyvos matuoklis
6 Rankena	18 Įrenginio pagrindas	31 Aukštesnysis lygis
7 Uždegimo žvakės dangtelis	19 Droselio rankenėlė	32 Žemesnysis lygis
8 Oro valytuvas	20 Tarplikis	33 Degalų bako dangtelis
9 Bako dangtelis	21 Žarnos jungtis	34 Aukštesnysis lygis
10 Degalų bakas	22 Veržlė su iškyšomis	35 Degalų bakas
11 Užpildymo siurblys	23 Žarnos žiedas	36 Degalų vamzdis
12 I-O (įjungimo / išjungimo) jungiklis	24 Žarna	
	25 Kamštis (pripylimo)	

Dėkojame, kad įsigijote MAKITA degalų siurbį. Mes džiaugiamės galėdami jums rekomenduoti MAKITA degalų siurbį, kuris buvo sukurtas ilgos produkto vystymo programos metu, panaudojus ilgametę patirtį ir žinias.

Perskaitykite šį bukletą, kuriame išsamiai aprašomi įvairūs aspektai, rodantys ypatingai gerą gaminio darbą. Tai jums padės gauti pačius geriausius darbo rezultatus naudojantis savo MAKITA degalų siurbliu.

SIMBOLIAI

Skaitydami naudojimo instrukciją pastebėsite žemiau nurodytus simbolius.



Perskaitykite naudojimo instrukciją, paisykite įspėjimų ir imkitės atsargumo priemonių.



Būkite ypač atidūs ir dėmesingi.



Niekada nenaudokite variklio patalpose.



Nelieskite variklio, kai jis yra karštas.



Degti atvirą liepsną draudžiama!



Patikrinkite alyvos lygį, prieš užvesdami.



CE ženklas

⚠️ ĮSPĖJIMAS!

• PRIEŠ NAUDODAMIESI ĮRENGINIŲ PERSKAITYKITE IR ĮSITIKINKITE, KAD SUPRATOTE VISKĄ, KAS RAŠOMA INSTRUKCIJOJE.

Šios ⚠️ žymės nurodo svarbią saugos informaciją. Visada laikykitės šių instrukcijų. Neteisingai naudojantis įranga gali įvykti rimtų nelaimingų atsitikimų.

⚠️ PAVOJUS! Nesilaikant instrukcijų yra galimi rimti ar net mirtini sužeidimai.

⚠️ ĮSPĖJIMAS! Nesilaikant ĮSPĖJIMŲ nurodymų yra galimi rimti ar mirtini įrangos operatoriaus, šalia stovinčiųjų, tikrinančių ar taisančių įrangą asmenų sužeidimai.

⚠️ ATSARGIAI! ATSARGIAI pranešimai nurodo atsargumo priemones, kurių reikia imtis, kad būtų išvengta asmenų sužeidimų ar žalos įrangai.

PASTABA. PASTABOSE pateikiama pagrindinė informacija, kuri palengvina arba paaiškina procedūras.

SAUGUMO INSTRUKCIJOS

– Šioje naudojimo instrukcijoje rašoma apie bendrąjį įrangos naudojimą ir atsargumo priemones. Įdėmiai perskaitykite naudojimo instrukciją prieš pradėdami naudotis įranga. Be to, griežtai laikykitės saugumo taisyklių.

– Saugokite šią naudojimo instrukciją saugioje vietoje, kad galėtume naudotis vėliau. Jei naudojimo instrukciją pamestumėte arba ji būtų sugadinta, nedelsdami paprašykite „Makita“ įgaliotojo aptarnavimo centro naujo egzemplioriaus.

– Skolindami ar duodami įrangą kitiems žmonėms, visada perduokite ir naudojimo instrukciją ir kitą informacinę medžiagą kartu su įranga.

– Dėl nuolat vykdomos programos ir tyrimų, techniniai duomenys gali būti pakeisti be įspėjimo. Ilustracijos ir turinys šioje naudojimo instrukcijoje gali skirtis nuo realaus gaminio.

– Jei jums reikia pagalbos ar daugiau informacijos apie šiuos priedus, kreipkitės į prekybos atstovą arba vietinį „Makita“ techninio aptarnavimo centrą.

Įrenginio paskirtis

Šis įrenginys skirtas laistyti vandeniu ir drėkinti.

Ši įranga skirta pumpuoti tik skaidrų vandenį.

PAVOJUSI

- Nedarykite įrenginio pakeitimų.
- Nenaudokite ne pagal paskirtį.
- Techninei priežiūrai ir remontui naudokite tik originalias, patvirtintas atsargines dalis.
- Dėl aukščiau pateiktų įspėjimų nesilaikymo galima rimtai pažeisti įrangą ar su(si)žeisti.

SU IŠMETAMOSIOMIS DUJOMIS SUSIJĘ ATSARGUMO PRIEMONĖS

- Niekada neįkvėpkite išmetamųjų dujų. Jose yra anglies monoksido – bespalvių, bekvapių ir ypačingai pavojingų dujų, dėl kurių galima netekti sąmonės ar mirti.
- Niekada nedirbkite su varikliu patalpose ar blogai vėdinamoje vietoje, pvz., tunelyje, oloje ir t. t.
- Būkite itin atsargūs, kai dirbate su varikliu prie žmonių ar gyvūnų.
- Neleiskite į išmetamąjį vamzdį patekti pašaliniais objektams.

ATSARGUMO PRIEMONĖS PAPILDANT DEGALAIS

- Prieš papildydami degalų, būtinai išjunkite variklį.
- Neperpildykite degalų bako.
- Jei degalų išsiliejo, rūpestingai nušluostykite ir prieš paleisdami variklį palaukite, kol degalai nudžiūs.
- Papildę degalais įsitikinkite, kad degalų dangtelis uždėtas tvirtai, kad degalai neišsilietų.

GAISRO PREVENCIJA

- Nenaudokite įrangos rūkydami arba arti atviros ugnies.
- Nenaudokite įrangos arti sausų krūmų, šakelių, medžiaginių kilimėlių ar kitų degių medžiagų.
- Variklis turi būti mažiausiai 1 metro atstumu nuo pastatų ar kitų konstrukcijų.
- Variklį laikykite atokiau nuo degių ar kitokių pavojingų medžiagų (šiuokščių, skudurų, tepalų, sprogstamųjų medžiagų).

Tik Europos šalims

EB atitikties deklaracija

Bendrovė „Makita Corporation“ kaip atsakingas gamintojas pareiškia, kad šie „Makita“ aparatai:

Įrenginio paskirtis: Variklio siurblys
Modelio Nr. / tipas: EW1050H, EW1060H
Techniniai duomenys: žr. lentelę „TECHNINIAI DUOMENYS“

yra gaminami serijiniu būdu ir

Atitinka šias Europos direktyvas:

2000/14/EC, 2006/42/EC, 2010/26/EU,
2004/108/EC, 2000/14/EC, 2005/88/EC

Ir yra gaminami pagal šiuos standartus arba standartizuotus dokumentus:

EN 809, EN 55012

Techninius dokumentus saugo:

Makita International Europe Ltd., Techninis skyrius,
Michigan Drive, Tongwell, Milton Keynes, Bucks
MK15 8JD, Anglija

Atitikties įvertinimo procedūra pagal direktyvą 2000/14/EC atitiko V priedą.

Išmatuota garso galia: 100,9 dB(A)

Garantuojama garso galia: 109 dB(A)

31.8.2012

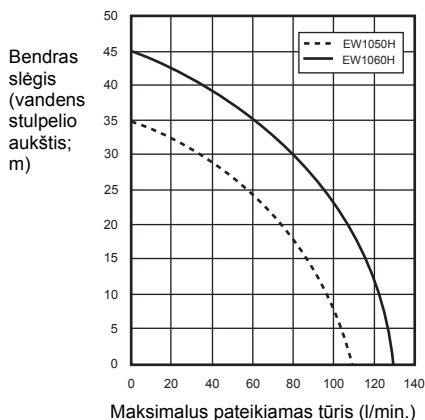


Tomoyasu Kato
Direktorius
Makita Corporation
3-11-8, Sumiyoshi-cho,
Anjo, Aichi, JAPAN

TECHNINIAI DUOMENYS

		EW1050H	EW1060H	
Svoris	kg	5,8	7,3	
Matmenys	mm	327 x 231 x 319	356 x 234 x 336	
Tipas		Užsipildantis CENTRIFŪGINIS SIURBLYS		
Skersmenys (siurbimas-išleidimas)	col.	1		
Bendras slėgis (vandens stulpelio aukštis)	m	35	45	
Maksimalus pateikiamas tūris	l/min.	110	130	
Maksimalus siurbimo pakilimas	m	8	8	
Tūris (degalų bakas)	l	0,5	0,65	
Tūris (alyvos bakas)	l	0,08	0,1	
Variklio darbinis tūris	cm ³	24,5	33,5	
Maksimali variklio galia	kW	0,71 esant 7 000 min ⁻¹	1,07 esant 7 000 min ⁻¹	
Karbiuratorius	tipas	Diafragma		
Uždegimo sistema	tipas	Kietojo kūno uždegimas		
Uždegimo žvakė	tipas	NGK CMR6A		
Tarpas tarp elektrodų	mm	0,7 – 0,8		
Degalai		Automobilinis benzinas		
Variklio alyva		SAE 10W-30 alyva pagal API klasifikaciją, SF klasės arba aukštesnės (4 taktų automobiliniam varikliui)		
Darbinė vandens temperatūra	°C	5 – 40	5 – 40	
Garso slėgis	L _{pA eq}	dB (A)	88,4	88,4
	Paklaida K	dB (A)	3	3
Garso galia	L _{wA, d}	dB (A)	109	109

Pastaba. Dirbdami dėvėkite ausų apsaugas.



DALYS (1 ir 2 pav.)

SURINKIMAS (3 pav.)

⚠️ ĮSPĖJIMAS!

- Prieš dirbdami su įranga visada išjunkite variklį.
- Variklį užveskite tik iki galo surinkę įrangą.

ŽARNOS MONTAVIMAS

1. Uždėkite žarnos jungtis ant siurblio.

⚠️ ATSARGIAI!

- Dėdami jungtis ant siurblio, įsitinkinkite, kad tarpiklis yra savo vietoje.
2. Rankomis prijunkite žarnas ant jungčių. Patikrinkite, ar patikimai priveržtas žarnos žiedas.
 3. Prijunkite koštuvą įėjimo žarnos gale.

PASTABA.

- Jei praleidžia orą, vandens gali neįtraukti.

⚠️ **ATSARGIAI!**

- Nenuimkite koštuvo, nes pašalinės medžiagos gali pažeisti siurbį.
- Patikrinkite, ar patikimai priveržtas žarnos žiedas.

PATIKRINIMAS PRIEŠ DARBĄ

⚠️ **ĮSPĖJIMAS!**

- Prieš dirbdami su įranga visada išjunkite variklį. Visada dirbkite ant plokščio ir stabilaus paviršiaus.
- Prieš paleisdami variklį patikrinkite įrangą, ar nėra atsilaisvinusių varžtų ar jungiamųjų dalių.
- Stenkitės neliesiti variklio ir duslintuvo bet kuria kūno dalimi ar drabužiais, kai apžiūrite ar remontuojate, kol jie neatvėso.
- Ypač rūpinkitės ventiliacija. Saugokitės apsinuodijimo CO (anglies monoksidu).

PATIKRINIMAS IR VARIKLIO ALYVOS PAPILDYMAS (4 pav.)

Kai variklis atvėsęs, atlikite žemiau nurodytą procedūrą.

- Variklis turi būti horizontalioje padėtyje.
- Neįsukite alyvos matuoklio į alyvos filtrą alyvos lygiiui patikrinti.
- Patikrinkite, ar alyvos lygis yra tarp apatiniosios ir viršutinios ribos alyvos matuoklyje.
- Jei alyvos lygis yra žemiau apatiniosios ribos, pripilkite alyvos.
- Gali reikėti pilti alyvos kas 10 darbo valandų (pildymas kas 10).
- Jei alyvos spalva pasikeičia ar susimaišo su purvu, pakeiskite naują.

Rekomenduojama alyva: SAE 10W-30 alyva pagal API klasifikaciją, SF klasės arba aukštesnės (4 taktų automobiliniam varikliui)

Alyvos tūris:

EW1050H modelio: apie 0,08 l

EW1060H modelio: apie 0,1 l

PASTABA.

- Jei variklio padėtis nėra horizontali, gali būti neteisingai rodomas alyvos lygis ir alyvos galima įpilti per daug. Įpylus alyvos virš viršutinės ribos gali užsiteršti alyva arba atsirasti baltų dūmų.

Variklio alyvos papildymas

1. Laikykite variklį horizontalioje padėtyje ir atjunkite alyvos matuoklį.
2. Įpilkite alyvos iki viršutinios ribos žymės. Pilkite iš alyvos butelio.
3. Tvirtai priveržkite alyvos matuoklį. Per silpnai priveržus alyva gali pratekėti.

Po alyvos pildymo

- Iš karto skuduru nuvalykite visą išsiliejusią alyvą.

Alyvos keitimas: Alyvos matuoklis

- Nuvalykite dulkes ir purvą prie alyvos papildymo angos.
- Nuimtą alyvos matuoklį saugokite nuo smėlio ir dulkių. Priešingu atveju, prie alyvos dangtelio prikibęs smėlis arba dulkės gali sukelti problemų dėl nenormalios alyvos cirkuliacijos ar variklio dalių susidėvėjimo.

DEGALAI

⚠️ **ĮSPĖJIMAS!**

- Degalai yra ypač degūs ir nuodingi. Saugokite nuo atviro liepsnos (cigarečių, viryklių, fejerverkų), elektros kibirkščių (akumulatoriaus, trumpojo jungimo, jungiamo jungiklio, virinimo kibirkščių ir t. t.), kai ką nors darote su degalais.
- Prieš papildydami degalų, būtinai išjunkite variklį. Nepildykite degalų, kai variklis vis dar yra karštas.
- Kitais atvejais, net perpildami degalus į mažą talpą, visuomet skirkite daug dėmesio.
- Papildę degalų, tvirtai užsukite degalų dangtelį ir visiškai nušluostykite išsiliejusį kūrą.

Darbas su degalais

Su degalais būtina elgtis ypač atsargiai. Degaluose gali būti medžiagų, panašių į tirpiklius. Degalus pilti reikia pakankamai vėdinamoje patalpoje arba atviraime lauke. Niekada neįkvėpkite degalų garų ir laikykite degalus toliau nuo savęs. Jei vis liesite degalus arba ilgą laiką, oda išdžiūsta, o tai gali sukelti odos ligą arba alergiją. Jei degalų patektų į akį, praplaukite akį švariu vandeniu. Jei akis ilko sudirgusi, pasikonsultuokite su gydytoju.

Degalų laikymo laikotarpis

Degalus reikėtų sunaudoti per 4 savaites, net jei jie laikomi specialiame konteineryje gerai ventiliuojamoje vietoje ir šešėlyje.

Priešingu atveju degalai gali sugesti per dieną.

Įrenginio ir papildymo bako laikymas

- Įrenginį ir baką laikykite vėsioje vietoje, kur nepasiekia tiesioginiai saulės spinduliai.
- Niekada nelaikykite degalų automobilyje.

Degalų tipas:

Variklis yra keturių taktų. Būtinai naudokite bešvinį automobilinį 87 ar didesnio oktaninio skaičiaus ((R+M)/2) benzina. Jame gali būti ne daugiau nei 10 % alkoholio (E-10).

- Niekada nenaudokite benzino, kuriame yra variklio alyvos. Priešingu atveju, per daug kaupsis anglis arba bus mechaninių problemų.

Degalų bako talpa:

EW1050H modelio: 0,5 l

EW1060H modelio: 0,65 l

Degalų papildymas (5 pav.)

1. Laikykite variklį horizontalioje padėtyje.
2. Truputį atlaisvinkite degalų bako dangtelį, kad atpalaiduotumėte slėgį bake.
3. Nuimkite degalų bako dangtelį ir pripilkite degalų. **NEPILKITE** degalų iki pat bako viršaus.
4. Papildę degalų tvirtai užsukite degalų bako dangtelį.
 - Nuvalykite degalų bako dangtelį, kad šiukšlės nepatektų į degalų baką.
 - Jeigu yra koks nors degalų dangtelio trūkumas ar pažeidimas, pakeiskite jį nauju.
 - Degalų bako dangtelis po truputį susidėvi. Keiskite jį kas dvejus ar trejus metus.
 - **NEPILKITE** degalų į alyvos angą.

Vandens pripildymas (6 pav.)

⚠️ **ATSARGIAI!**

- Nepradėkite siurbti be vandens siurblio korpuse. Priešingu atveju galima pažeisti mechaninį tarpiklį.

Išimkite pripildymo kamštį ir įpilkite švaraus vandens, kol užpildysite siurblio korpusą. Pripildę gerai užveržkite užpildymo kamštį.

PASTABA.

- Jeigu imamo vandens neužtenka, užpildymo talpa tampa mažesnė.
- Siurbį dėkite ant tvirto pagrindo ir kaip įmanoma arčiau vandens šaltinio.
- Kuo didesnis siurbimo slėgis, tuo daugiau laiko reikės užpildyti su mažesniu išleidimu.

VARIKLIO PATIKRINIMAS

- Atidžiai patikrinkite degalų žarnas ir jungtis, ar neatsipalaidavo, ar neprateka degalai. Pratekėjęs kuras sukuria galimai pavojingą situaciją.
- Patikrinkite varžtus ir veržles, ar neatsilaisvino. Jeigu taip, iš naujo priveržkite. Atsipalaidavęs varžtas ar veržlė gali sukelti rimtų variklio problemų.
- Patikrinkite variklio alyvą ir pripilkite, jei reikia.
- Patikrinkite degalų lygį ir pripilkite, jei reikia. Neperpildykite bako.
- Saugokite cilindro mentes ir rankinį paleidiklį nuo purvo, žolių ir kitų medžiagų.
- Dirbdami su varikliu dėvėkite glaudžius darbinius drabužius.

DARBAS

⚠️ ĮSPĖJIMAI!

- Niekada nelieskite karšto variklio duslintuvo, ypač iš naujo paleisdami variklį. Varikliui veikiant duslintuvus įkaista.
- Kai naudojate siurbį, neikiškite rankų arba pašalinių objektų į išėjimo vožtuvus.

⚠️ ĮSPĖJIMAI!

Saugokitės vandens kalimo

- Transporto priemone nevažiuokite per pristatymo žarną. Staigiai neuždarykite pristatymo vožtuvo, nes gali atsirasti vandens kalimas ir smarkiai pažeisti siurbį.

Paleidimas

⚠️ ATSARGIAI!

- Kadangi tepimo alyva dar pakankamai nepasiskirstė, nedidinkite variklio apsukų iš karto po variklio užvedimo. Nebūtinos didelės apsukos trumpina įrangos eksploatacijos laiką arba sukelia pažeidimus.
- 1. Patikrinkite, ar siurblio korpusas yra užpildytas vandeniu.
- 2. Patikrinkite, ar koštuvus yra po vandeniu.

⚠️ ATSARGIAI!

- Naudokite kokį nors apsauginį būdą, kai vandens telkinio dugnas yra padengtas purvu ar smėliu.
- 3. Patikrinkite, ar pristatymo žarnos gale nėra kliūčių.
- 4. Įjunkite variklį jungiklį I-O (įjungta / išjungta) perjungdami į padėtį „I“ (įjungta).
- 5. Patikrinkite, ar droselio rankenėlė rodo „L“. (7 pav.)
- 6. Toliau stumkite užpildymo siurbį, kol degalai pateks į užpildymo siurbį. (Paprastai nuo 7 iki 10 stūmimų.)
- 7. Sureguliuokite droselinės sklendės svirtį.
 - Jei variklis yra šaltas arba aplinkos temperatūra yra žema, iki galo uždarykite droselinės sklendės svirtį. (8 pav.)
 - Jei variklis yra šiltas ar aplinkos temperatūra yra aukšta, pusiau arba iki galo atidarykite droselinės sklendės svirtį.

8. Švelniai patraukite paleidiklio rankenėlę, kol pajusite pasipriešinimą. Tada gražinkite paleidiklio rankenėlę ir ją stipriai patraukite.

Niekada netraukite virvės iki pat galo.

Patraukę paleidiklio rankenėlę niekada iškart nepaleiskite. Palaikykite paleidiklio rankenėlę, kol ji grįš į pradinę padėtį.

Jei variklis sunkiai užsiveda, atidarykite droselinį sklendę maždaug 1/3.

9. Varikliui užsivedus, nustatykite droselinės sklendės svirtį į padėtį ATIDARYTA, jei uždarėte droselinės sklendės svirtį. (9 pav.)

10. Leiskite varikliui tinkamai įšilti. Tęskite šildymą 2 – 3 minutes padėtyje „L“.

Darbas su varikliu:

Pasukite droselio rankenėlę į vidurinę padėtį ir patikrinkite, ar vanduo išteka iš pristatymo žarnos.

Operacijos baigimas

Variklio stabdymas

Pasukite droselio rankenėlę į padėtį „L“, kad nustatytumėte mažiausias variklio apsukas.

Pasukite variklio jungiklį I-O (įjungta / išjungta) į padėtį „O“ (išjungta).

Po naudojimo išleiskite vandenį

Vanduo siurblio korpusu užšąla, kai temperatūra nukrenta žemiau 0°C žiemos metu ir siurblys gali sugesti. Norėdami laikyti nenaudojamą, po naudojimo išleiskite vandenį per išleidimo angą apačioje.

TECHNINĖS PRIEŽIŪROS INSTRUKCIJOS

⚠️ ĮSPĖJIMAI!

- Prieš dirbdami su įranga visada išjunkite variklį. Nedirbkite jokių darbų, kol variklis neatvėso.

⚠️ ATSARGIAI!

- Techninės priežiūros metu neplaukite variklio vandeniu.

VARIKLIO ALYVOS KEITIMAS

⚠️ ĮSPĖJIMAI!

- Sustabdyzus variklį variklis ir variklio alyva būna karšta. Skirkite pakankamai laiko varikliui ir jo alyvai atvėsti. Priešingu atveju galite nusideginti odą.

⚠️ ATSARGIAI!

- Prieš keisdami alyvą išsiaiškinkite, kaip tinkamai išmesti seną alyvą. Nepilkite jos į kanalizaciją, ant sodo žemės ar į atvirus vandens srautus. Kaip išmesti tinkamai, nurodoma vietinėse aplinkos apsaugos taisyklėse.
- Pagėdusi variklio alyva trumpina variklio eksploatacijos trukmę. Reguliariai tikrinkite alyvą ir jos lygį.

PASTABA.

- Jei alyvos perpildyta virš ribos, ji gali būti užteršta ar užsidegti ir dėl to rūkti balti dūmai. Skirkite pakankamai laiko po variklio stabdymo alyvai grįžti į alyvos baką, kad alyvos lygio matavimas būtų tikslus.

Keitimo intervalai: Po pirmųjų 20 darbo valandų; vėliau kas 50 darbo valandų.

Rekomenduojama alyva: SAE 10W-30 alyva pagal API klasifikaciją, SF klasės arba (4 taktų automobiliu variklio alyva).

Alyvos tūris:

EW1050H modelio: Apie 0,08 l

EW1060H modelio: Apie 0,1 l

1. Nuimkite alyvos matuoklį. (10 pav.)

- Būkite atsargūs ir nedėkite alyvos matuoklio vietose, kur jis galėtų užsiteršti purvu, dulkeėmis ar kitomis medžiagomis.
- Aplink alyvos pildymo skylę uždėkite skudurėlį ar popierinį rankšluostį.
- Nuimkite alyvos matuoklį, tada pakreipkite variklį ir išleiskite alyvą į koki nors indą ar kitą talpyklą.
- Padėkite įrangą ant horizontalaus paviršiaus. Įpilkite alyvą iš spaudžiamo butelio ar kitos atitinkamos talpos. Pripildykite alyvos iki pat pildymo kakliuko krašto. (4 pav.)
- Pripylę alyvos į variklį, iš naujo įdėkite alyvos matuoklį. Įsitinkinkite, kad jis gerai įtvirtintas, nes jam atsilaisvinus pratekės alyva.

UŽDEGIMO ŽVAKIŲ TIKRINIMAS (11 pav.)

⚠️ ATSARGIAI!

- Niekada nelieskite uždegimo žvakių jungties, kai veikia variklis (yra aukšto įtampos elektros smūgio pavojus).

Valymo ir tikrinimo intervalas: Kasdien (kas 10 darbo valandų)

- Naudokite tik pateikiamą universalų raktą uždegimo žvakėmis išimti ir įdėti.
- Tarpas tarp uždegimo žvakės elektrodų turėtų būti 0,7 – 0,8 mm.

Jei tarpas per didelis arba per mažas, pareguliuokite. Jei uždegimo žvakė užsikišusi ar užsiteršusi, kruopščiai nuvalykite arba pakeiskite.

ORO VALYTUVO VALYMAS (12 pav.)

⚠️ ĮSPĖJIMAS!

- Išjunkite variklį. Laikykite toli nuo atviros liepsnos. Dėl užsiteršusio oro valymo elemento gali būti sunku užvesti variklį, prarandama galia, variklio darbo sutrikimai ir labai sutrumpina variklio eksploatacijos laiką. Prižiūrėkite, kad oro valytuvas būtų švarus.

Valymo ir tikrinimo intervalas: Kasdien (kas 10 darbo valandų)

- Nustatykite droselinės sklendės rankenėlę į iki galo uždarytą padėtį, kad į karbiuratorių negalėtų patekti dulksės ir purvas.
- Atsukite oro valytuvo dangčio tvirtinimo varžtą.
- Ištraukite apatinį dangčio kraštą, kad nuimtumėte oro valytuvo dangtį.
- Išimkite elementą, išvalykite švelnaus ploviklio vandeniniu tirpalu ir kruopščiai po to išdžiovinkite.
- Įdėkite sulygiuotą pagal paveikslėlyje nurodytas linijas.
- Audinio gabalėliu nuvalykite visą alyvą, esančią aplink oro valytuvo dangtelį ir alsuoklį.
- Po valymo iš naujo surinkite valytuvo dangtelį (pirmiausia įkiškite viršutinę iškyšą, tada apatinę) ir įsukite tvirtinimo varžtą.

DEGALŲ FILTRO VALYMAS

⚠️ ĮSPĖJIMAS!

- Išjunkite variklį. Laikykite toli nuo atviros liepsnos. Nerūkykite.

Valymo ir tikrinimo intervalas: Kas mėnesį (kas 50 darbo valandų)

Degalų filtras yra naudojamas karbiuratoriaus naudojamiems degalams filtruoti. Reikia reguliariai atlikti degalų filtro apžiūrą.

- Atidarykite degalų bako dangtelį, pasinaudokite vieliniu kabliu ir ištraukite siurbimo galvą per bako angą.
- Nuimkite žarnos laikiklį ir ištraukite degalų filtrą iš degalų vamzdžio.
- Nuplaukite degalų filtrą žibalu.
- Nuovę iš naujo surinkite.
- Jei filtras yra kietas arba užsikišęs, pakeiskite nauju.

Degalų filtrą keiskite bent kas ketvirtį, kad užtikrintumėte pakankamą degalų tiekimą į karbiuratorių. Priešingu atveju, nepakankamas degalų tiekimas gali sukelti variklio paleidimo trikčių ir ribotą maksimalų greitį.

Patikrinę, išvalę arba pakeitę pritvirtinkite degalų filtrą ant degalų vamzdžio žarnos laikikliu.

Įstumkite degalų filtrą iki degalų bako apačios. (13 pav.)

DEGALŲ VAMZDŽIO KEITIMAS (14 pav.)

⚠️ ĮSPĖJIMAS!

- Išjunkite variklį. Laikykite toli nuo atviros liepsnos.

Valymo ir tikrinimo intervalas: Kasdien (kas 10 darbo valandų)

Keitimas: Kasmet (kas 200 darbo valandų)

Pakeiskite degalų filtrą kasmet, nepriklausomai nuo darbo dažnumo. Dėl degalų pratekėjimo gali kilti gaisras. Jei apžiūros metu pastebite bet koki pratekėjimą, nedelsdami pakeiskite degalų vamzdį.

VARŽTŲ, VERŽLIŲ IR MEDVARŽČIŲ APŽIŪRA

- Priveržkite atsilaisvintus varžtus, veržles ir t. t.
- Patikrinkite, ar tvirtai užsidaro degalų ir alyvos dangteliai. Patikrinkite, ar neprateka degalai ir alyva.
- Pakeiskite pažeistas dalis naujomis, kad dirbti būtų saugu.

DALIŲ VALYMAS

- Prižiūrėkite variklį, kad būtų švarus šluostydami audinio gabalu.
- Prižiūrėkite, kad cilindro mentėse nebūtų purvo ir dulkių. Dėl purvo ir dulkių ant menčių gali užstrigti stūmoklis.

Reguliaros techninės priežiūros tvarkaraštis

Elementas	Darbo trukmė	Prieš darbą	Kasdien (10 h)	50 h	200 h	Prieš saugojimą
Variklio alyva	Patikrinkite / pripildykite	○				
	Pakeiskite			○*1		
Priveržkite dalis (varžtus, veržles)	Patikrinkite	○				
Degalų bakas	Išvalykite / patikrinkite	○				
	Išleiskite degalus					○
Droselio rankenėlė	Patikrinimo funkcija	○				
I-O (įjungimo / išjungimo) jungiklis	Patikrinimo funkcija	○				
Oro valytuvas	Išvalykite		○			
Uždegimo žvakė	Patikrinkite		○			
	Išvalykite / sureguliuokite				○	
Aušinimo oro kelias ir cilindro mentės	Išvalykite / patikrinkite		○			
Degalų vamzdis	Patikrinkite		○			
	Pakeiskite				◎*2	
Degalų filtras	Išvalykite / pakeiskite			○		
Atstumas tarp vožtuvų (paėmimo ir išmetimo vožtuvų)	Patikrinkite / sureguliuokite				◎*2	
Nuodugnus variklio patikrinimas, jei reikia					◎*2	
Karbiuratorius	Išleiskite degalus					○
Siurblio rinkinys	Išvalykite		○			
Koštuvai	Patikrinkite / išvalykite	○				

*1 Atlikite pirmąjį pakeitimą po 20 h darbo.

Prieš keisdami alyvą išsiaiškinkite, kaip tinkamai išmesti seną alyvą. Nepilkite jos į kanalizaciją, ant sodo žemės ar į atvirus vandens srautus. Kaip išmesti tinkamai, nurodoma vietinėse aplinkos apsaugos taisyklėse.

*2 Apžiūrą po 200 darbo valandų tegul atlieka įgaliotosios serviso dirbtuvės.

LAIKYMAS

⚠ ĮSPĖJIMAI!

- Prieš išleisdami degalus būtina išjunkite variklį ir leiskite jam atvėsti.
- Iškart po variklio išjungimo, jis gali būti karštas, nudeginti ar užsiliepsnoti.

⚠ ATSARGIAI!

- Kai su įranga nedirbama ilgą laiką, išleiskite visus degalus iš degalų bako ir laikykite sausoje ir švarioje vietoje.

Prieš saugojimą

1. Visiškai pašalinkite visą vandenį iš išleidimo angos.
2. Švelniai patraukite variklio rankinio paleidiklio rankeną, kol pajusite pasipriešinimą.
3. Pašalinę degalus iš degalų bako, stumkite užpildymo siurbį, kol išbėgs degalai iš vamzdžio. Dar kartą pašalinkite degalus iš siurblio.
4. Nustatykite droselio rankenėlę į padėtį „L“.
5. Nušluostykite visą purvą ir dulkes.
6. Laikykite siurbį sausoje, šiltoje vietoje, kur nėra galimybės užšalti.

Perkėlimas

Keldami ir perkeldami į kitą vietą, tvirtai laikykite už rankenos abejomis rankomis.

PROBLEMŲ SPRENDIMAS

Prieš prašydami remontuoti, patikrinkite patys. Jei aptikote kokį nors nukrypimą, valdykite savo įrangą pagal aprašymą šioje instrukcijoje. Niekada nieko nedarykite ir neišimkite jokios dalies ne pagal aprašymą. Remonto kreipkitės į įgaliotąsias serviso dirbtuves.

Sutrikimas	Priežastis	Sprendimas
Variklis neužsiveda.	Nepanaudotas užpildymo siurblys.	Pastumkite nuo 7 iki 10 kartų.
	Per lėtai traukiama paleidiklio virvė.	Patraukite stipriau.
	Degalų trūkumas.	Pripilkite degalų.
	Užsikimšęs degalų filtras.	Išvalykite filtrą.
	Atsijungęs degalų vamzdis.	Tinkamai prijunkite degalų vamzdį.
	Sulenktas degalų vamzdis.	Ištiesinkite degalų vamzdį.
	Sugedę degalai.	Dėl sugedusių degalų variklis gali sunkiau užsivesti. Pakeiskite naujais degalais. (Rekomenduojamas keitimas: 1 mėnuo)
	Per didelis degalų įsiurbimas.	Nustatykite droselio rankenėlę į vidutinę arba „H“ padėtį ir patraukite paleidiklio rankeną, kol variklis užves. Jei variklis neužsiveda, išimkite uždegimo žvakę, išdžiovinkite elektrodus ir iš naujo surinkite, kaip buvo iš pradžių. Tada paleiskite, kaip nurodyta.
	Nėra kamščio dangtelio savo vietoje.	Pritvirtinkite.
	Užteršta uždegimo žvakė.	Išvalykite žvakę.
	Nenormalus tarpas uždegimo žvakėje.	Sureguliuokite tarpą.
	Kitą nenormali uždegimo žvakės būklė.	Pakeiskite.
	Nenormaliai veikia karbiuratorius.	Paprašykite apžiūrėti ir atlikti techninę priežiūrą.
	Nepavyksta traukti paleidiklio virvės.	Paprašykite apžiūrėti ir atlikti techninę priežiūrą.
Nenormaliai veikia pavaros sistema.	Paprašykite apžiūrėti ir atlikti techninę priežiūrą.	
Variklis greitai sustoja. Variklio apsukos nedidėja.	Nepakankamai įšilo.	Įšildykite.
	Droselinės sklendės rankenėlė yra nustatyta į padėtį „CLOSE“ (uždaryti), nors variklis yra įšildytas.	Nustatykite į „OPEN“ (atidaryti).
	Užsikimšęs degalų filtras.	Išvalykite jį.
	Užterštas arba užsikimšęs oro valytuvas.	Išvalykite jį.
	Nenormaliai veikia karbiuratorius.	Paprašykite apžiūrėti ir atlikti techninę priežiūrą.
	Nenormaliai veikia pavaros sistema.	Paprašykite apžiūrėti ir atlikti techninę priežiūrą.
Siurblys neveikia.	Įstrigęs siurbliaratis.	Kreipkitės į vietines „Makita“ įgaliotąsias serviso dirbtuves, kad suremontuotų.

Siurbimo tūris yra mažas.	Į siurbimo pusę patenka oro.	Patikrinkite vamzdžius siurbimo pusėje.
	Sumažėjo variklio našumas.	Kreipkitės į vietines „Makita“ įgaliotąsias serviso dirbtuves, kad suremontuotų.
	Mechaninio sandariklio trūkimas.	Pakeiskite tarpiklį.
	Aukštas siurbimo pakilimas.	Sumažinkite siurbimo pakilimą.
	Plona, ilga arba sulinkusi žarna.	Pakeiskite storesnę, trumpesnę arba ištiesinkite.
	Vandens keliu prateka vanduo.	Sustabdykite pratekėjimą.
	Siurbliaraštį užkimšo pašalinės medžiagos.	Kreipkitės į vietines „Makita“ įgaliotąsias serviso dirbtuves, kad suremontuotų.
	Susidėvėjęs siurbliaratis.	Kreipkitės į vietines „Makita“ įgaliotąsias serviso dirbtuves, kad suremontuotų.
Siurblys neužsipildo.	Siurbimo pusėje įsiurbiamas oro.	Patikrinkite vamzdžius siurbimo pusėje.
	Nepakankamas užpildymo vandens kiekis siurblio korpuse.	Užpildykite pilnai.
	Per mažai užveržtas išleidimo kranelis.	Visiškai užveržkite 2 kamščius.
	Netobulos variklio apsukos.	Kreipkitės į vietines „Makita“ įgaliotąsias serviso dirbtuves, kad suremontuotų.
	Pro mechaninį sandariklį patenka oro.	Pakeiskite tarpiklį.

Üldvaate selgitus

1 Kork (eeltäitmine)	14 Õhuklapi hoob	27 Sissetõmme
2 Väljavool	15 Käiviti nupp	28 Kurn
3 Sissetõmme	16 Tagasilöögikäiviti	29 Voolik (valikuline lisatarvik)
4 Kork (äravool)	17 Õlimõõtur	30 Õlimõõtur
5 Pumba korpus	18 Komplekti alus	31 Ülemine tase
6 Käepide	19 Drosseli hoob	32 Alumine tase
7 Süüteküünla kate	20 Muhv	33 Kütusepaagi kork
8 Õhupuhasti	21 Vooliku liitmik	34 Ülemine tase
9 Paagi kork	22 Tiibmutter	35 Kütusepaak
10 Kütusepaak	23 Vooliku võru	36 Kütusetoru
11 Eeltäitepump	24 Voolik	
12 I-O (sees/väljas) lüliti	25 Kork (eeltäitmine)	
13 Summuti	26 Väljavool	

Täname teid, et otsite MAKITA mootorpumba. Meil on hea meel tutvustada teile MAKITA mootorpumba, mis on pika arendustöö ning paljude aastate vältel kogutud teadmiste ja kogemuste tulemus.

Lugege läbi käesolev trükis, milles kirjeldatakse üksikasjalikult mitmeid pumba väljapaistvat jõudlust demonstreerivaid omadusi. See aitab teil saavutada MAKITA mootorpumbaga parima võimaliku tulemuse.

SÜMBOLID

Kasutusjuhendi lugemisel kohtate järgmisi sümboleid.



Lugege kasutusjuhendit ning järgige hoiatusi ja ettevaatusabinõusid.



Olge eriti ettevaatlik ja tähelepanelik.



Ärge kasutage mootorit kunagi siseruumides.



Ärge puudutage mootorit, kui see on tuline.



Hoiduge lahtise tule eest!



Enne käivitamist kontrollige õlitaset.



CE-vastavusmärk

⚠ HOIATUS!

• ENNE MASINA KASUTAMIST LUGEGE KÄESOLEV KASUTUSJUHEND LÕPUNI LÄBI JA VEENDUGE, ET OLETE KÕIGEST ARU SAANUD.

Kujutisega ⚠ tähistatakse olulist ohutusteavet. Järgige alati kujutisega kaasnevaid suuniseid. Seadme vale kasutamine võib põhjustada raske õnnetuse.

⚠ **OHT!** Suuniste eiramine võib põhjustada surma või raske kehavigastuse.

⚠ **HOIATUS!** HOIATUSEGA tähistatud suuniste eiramine võib põhjustada masina käitaja, kõrvalseisja või masina läbivaataja või parandaja raske kehavigastuse või surma.

⚠ **ETTEVAATUST!** Sõna ETTEVAATUST tähistab ettevaatusabinõusid, mis tuleb tarvitusele võtta kehavigastuse ja seadme kahjustamise vältimiseks.

MÄRKUS. MÄRKUS annab tähtsat teavet toimingute lihtsustamiseks või arusaadavamaks muutmiseks.

OHUTUSSUUNISED

- Selles kasutusjuhendis kirjeldatakse seadme üldisi kasutuspõhimõtteid ja ettevaatusabinõusid. Enne seadme kasutusele võtmist lugege käesolev kasutusjuhend hoolikalt läbi. Järgige rangelt kõiki ohutuseeskirju.
- Hoidke see kasutusjuhend kindlas kohas edaspidiseks tutvumiseks alles. Kui kasutusjuhend läheb kaduma või saab kahjustada, pöörduge uue eksemplari saamiseks koheselt Makita volitatud teeninduskeskuse poole.
- Seadme laenamisel või üleandmisel teistele isikutele andke alati kaasa ka kasutusjuhend ja muud teabematerjalid.
- Meie pidevalt toimuva uurimis- ja arendustöö tõttu võivad toote tehnilised andmed ilma eelneva etteatamiseta muutuda. Käesolevas trükises toodud joonised või sisu võivad tegelikust tootest erineda.
- Kui soovite abi või lisateavet, pöörduge kohaliku edasimüüja või volitatud Makita teeninduskeskuse poole.

Masina kasutusotstarve

See seade on ette nähtud ainult veega kastmiseks ja niisutamiseks.

Seadet tohib kasutada ainult puhta vee pumpamiseks.

⚠ OHT!

- Ärge modifitseerige ega muutke seadet.
- Ärge kasutage seadet mittesihotstarbeliselt.

- Hooldamisel ja parandamisel kasutage ainult originaalseid heakskiidetud varuosi.
- Ülaltoodud hoiatuste eiramine võib põhjustada seadme tõsiseid kahjustusi või kehavigastusi.

HEITGAASIDEGA SEOTUD HOIATUSED

- Ärge hingake heitgaase kunagi sisse. Heitgaasid sisaldavad vingugaasi, värvitut, lõhnatut ja äärmiselt ohtlikku gaasi, mis võib põhjustada teadvusetust või surma.
- Ärge kunagi laske mootoril töötada siseruumides või halvasti ventileeritud piirkonnas, näiteks tunnelis, koopas jne.
- Olge äärmiselt ettevaatlik, kui mootor töötab inimeste või loomade läheduses.
- Vältige võõrkehade sattumist väljalasketorusse.

ETTEVAATUSABINÕUD KÜTUSE LISAMISEL

- Enne kütuse lisamist lülitage mootor kindlasti välja.
- Ärge täitke kütusepaaki üle.
- Kütuse mahavalgumisel pühkige see hoolikalt ära ja enne mootori käivitamist oodake, kuni pind on täiesti kuivanud.
- Pärast kütuse lisamist veenduge, et kütusepaagi kork on mahavalgumise vältimiseks korralikult kinnitatud.

TULEKAHJU VÄLTIMINE

- Ärge käitage seadet suitsetades või lahtise leegi läheduses.
- Ärge kasutage seadet kuiva pöösastiku, muru, riidekaltsude ega muude tuleohtlike materjalide läheduses.
- Hoidke mootor vähemalt 1 meetri kaugusel hoonetest ja muudest konstruktsioonidest.
- Hoidke mootor eemal tuleohtlikest ja muudest ohtlikest materjalidest (praht, kaltsud, määrdeained, lõhkeained).

Ainult Euroopa riikidele

EÜ vastavusdeklaratsioon

Meie, Makita Corporation, deklareerime vastutava tootjana, et järgnev(ad) Makita masin(ad):

Masina eesmärk: Mootorpump
 Mudeli nr/tüüp: EW1050H, EW1060H
 Tehnilised andmed: vt tabelit „TEHNILISED ANDMED”

on seeriatoodang ning

Vastab (vastavad) järgmistele Euroopa Liidu direktiividele:

2000/14/EC, 2006/42/EC, 2010/26/EU,
 2004/108/EC, 2000/14/EC, 2005/88/EC

Ja on toodetud vastavalt järgmistele standarditele või standardiseeritud dokumentidele:

EN 809, EN 55012

Tehnilist dokumentatsiooni hoiab:

Makita International Europe Ltd., Tehniline osakond,
 Michigan Drive, Tongwell, Milton Keynes, Bucks
 MK15 8JD, Inglismaa

Direktiiviga 2000/14/EC nõutav vastavushindamise toiming teostati vastavalt lisale V.

Mõõdetud helitugevuse tase: 100,9 dB(A)

Garanteeritud helitugevuse tase: 109 dB(A)

31.8.2012



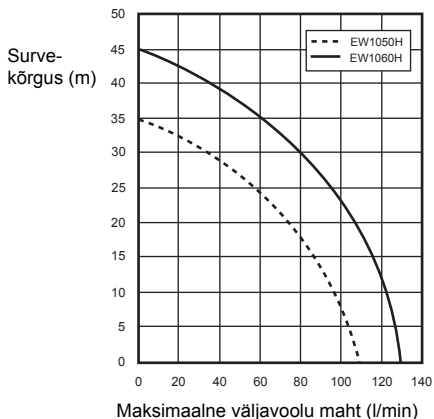
Tomoyasu Kato
 Direktor

Makita Corporation
 3-11-8, Sumiyoshi-cho,
 Anjo, Aichi, JAPAN

TEHNILISED ANDMED

		EW1050H	EW1060H
Kaal	kg	5,8	7,3
Mõõtmed	mm	327 x 231 x 319	356 x 234 x 336
Tüüp		Isetäituv TSENTRIFUGAALPUMP	
Diameetrid (sissetõmme-väljutus)	tollid	1	
Survekõrgus	m	35	45
Maksimaalne väljavoolu maht	l/min	110	130
Maksimaalne sissetõmbetõste	m	8	8
Maht (kütusepaak)	l	0,5	0,65
Maht (õlipaak)	l	0,08	0,1
Mootori töömaht	cm ³	24,5	33,5
Mootori maksimaalne võimsus	kW	0,71 7 000 min ⁻¹ juures	1,07 7 000 min ⁻¹ juures
Karburaator	tüüp	Membraan	
Süütesüsteem	tüüp	Tahkissüüde	
Süüteküünl	tüüp	NGK CMR6A	
Elektroodi vahe	mm	0,7–0,8	
Kütus		Autobensiin	
Mootoriõli		API-klassifikatsiooniga SAE 10W-30 õli, klass SF või kõrgem (4-taktiline mootor autodele)	
Kasutatava vee temperatuur	°C	5 – 40	5 – 40
Helirõhutase	L _{pA,eq}	dB (A)	88,4
	Määramatus K	dB (A)	3
Helivõimsuse tase	L _{WA,d}	dB (A)	109

Märkus. Kandke töötamise ajal kuulmiskaitsmeid.



OSADE TÄHISTUS (Joon. 1 ja 2)

KOKKUPANEK (Joon. 3)

⚠ HOIATUS!

- Enne mis tahes tööde teostamist seadme juures lülitage alati mootor välja.
- Käivitage mootor alles siis, kui seade on täielikult kokku pandud.

VOOLIKU PAIGALDAMINE

1. Paigaldage pumbale vooliku liigendid.

⚠ ETTEVAATUST!

- Vooliku liigendi pumbale paigaldamisel veenduge, et muhv on oma kohal.
2. Ühendage voolikud liigenditega võru abil. Kontrollige, kas vooliku võru on korralikult kinnitatud.
 3. Ühendage kurn sisselaskevooliku otsa.

MÄRKUS.

- Õhulekke korral ei saa vett üles tõmmata.

⚠ ETTEVAATUST!

- Ärge eemaldage kurna, vastasel juhul võivad vöörkehad pumpa kahjustada.
- Kontrollige, kas vooliku võru on korralikult kinnitatud.

KASUTAMISELSED KONTROLLTOIMINGUD

⚠ HOIATUS!

- Enne mis tahes tööde teostamist seadme juures lülitage alati mootor välja. Teostage tööd alati tasasel ja kindlal pinnal.
- Enne mootori käivitamist kontrollige, kas seadmel pole lahtisi kruvisid või lahtisi ühendusdetalle.
- Ülevaatusse või parandamise ajal vältige mis tahes kehaosa või riideseme kokkupuudet mootori ja summutiga, kui need on veel kuumad.
- Hoolitsege iseäranis ventilatsiooni eest. Hoiduge vingugaasi mürgistuse eest.

MOOTORIÕLI KONTROLLIMINE JA LISAMINE

(Joon. 4)

Teostage järgmine toiming, kui mootor on jahtunud.

- Tagage, et mootor asub horisontaalasendis.
- Ärge keerake õlimõõturit õlitase kontrollimiseks õlitäiteavasse.
- Kontrollige, kas õlitase on õlimõõтури alumise ja ülemise piiri vahel.
- Kui õlitase on allpool alumist piiri, lisage õli.
- Õlilisamisvajadus võib tekkida umbes iga 10 töötunni (iga 10 tankimise) järel.
- Kui õli värvus muutub või õli seguneb mustusega, asendage vana õli uuega.

Soovitatav õli: API-klassifikatsiooniga SAE 10W-30 õli, klass SF või kõrgem (4-taktiline mootor autodele)

Õli maht:

Mudeli EW1050H puhul: umbes 0,08 l

Mudeli EW1060H puhul: umbes 0,1 l

MÄRKUS.

- Kui mootor ei asetse horisontaalselt, võib õlitase näit olla väär ja õli lisamisel õlitase tõusta üle maksimumpiiri. Õli lisamine üle maksimumpiiri võib põhjustada õli saastumist või valget suitsu.

Mootoriõli lisamine

1. Hoidke mootor horisontaalasendis ja eemaldage õlimõõtur.
2. Lisage õli kuni ülemise piiri tähiseni. Lisamiseks kasutage õlipudelit.
3. Kinnitage korralikult õlimõõtur. Ebapiisav kinnitamine võib põhjustada õlilekke.

Pärast õli lisamist

- Kui õli on maha valgunud, pühkige see koheselt riidelapiga ära.

Õli vahetamine: õlimõõtur

- Eemaldage õlilisamisava ümbrusest tolm ja mustus.
- Vältige eemaldatud õlimõõтури kokkupuudet liiva või tolmuga. Õlikorgile sattuv liiv või tolm võivad põhjustada ebakorrapärase õliringluse probleeme või mootoridetailide kulumist.

KÜTUS

⚠ HOIATUS!

- Kütus on äärmiselt tuleohtlik ja mürgine. Käitlemisel hoidke kütus eemal lahtisest leegist (sigaret, kamin, ahi, ilutulestik) ja elektrisidemetest (aku, patareid, lühis, lühistatud lüliti säde, keevitussäde jne).
- Enne kütuse lisamist lülitage mootor kindlasti välja. Ärge lisage kütust, kui mootor on veel tuline.
- Olge äärmiselt tähelepanelik mitte ainult kütuse lisamisel, vaid igasugusel kütuse käitlemisel, näiteks väiksemasse anumasse valamisel jne.
- Pärast kütuse lisamist kinnitage korralikult kütusepaagi kork ja pühkige täielikult ära mahavalgunud kütus.

Kütuse käitlemine

Kütuse käitlemisel tuleb olla alati äärmiselt ettevaatlik. Kütus võib sisaldada lahustiteele sarnaseid aineid. Kütuse lisamist tuleb teostada piisavalt ventileeritud ruumis või õues. Ärge kunagi hingake sisse kütuseaure ja hoidke kütus endast eemal. Kütuse korduval või pikaajasel kokkupuutel nahaga muutub nahk kuivaks, mis võib põhjustada nahahaigusi või allergiat. Kütuse sattumisel silma puhastage silm puhta veega. Kui silma ärritus ei kao, pöörduge arsti poole.

Kütuse hoiustamisaja

Kütus tuleks ära tarvitada 4 nädala jooksul, isegi kui seda hoitakse spetsiaalses mahutis hästiventileeritud ja varjulises piirkonnas.

Vastasel juhul võib kütuse kvaliteet ühe päeva jooksul halveneda.

Masina ja kütuselisamisamahuti hoiustamine

- Hoiustage masinat ja kütuselisamisamahuti jahedas, varjus otsese päikesevalguse eest.
- Ärge kunagi hoidke kütust autos.

Kütuse tüüp:

Mootor on neljataktiline. Kasutage kindlasti pliivaba autobensiini oktaaniarvuga 87 või kõrgemaga ((R+M)/2). Kütus ei tohi sisaldada üle 10% alkoholi (E-10).

- Ärge kunagi kasutage bensiinisegu, mis sisaldab mootoriõli. See võib põhjustada süsiniku ülemäärast kogunemist või mehaanilisi probleeme.

Kütusepaagi maht:

Mudeli EW1050H puhul: 0,5 l

Mudeli EW1060H puhul: 0,65 l

Kütuse lisamine (Joon. 5)

1. Hoidke mootor horisontaalses asendis.
 2. Keerake kütusepaagi kork pisut lahti, et vabastada paagi rõhk.
 3. Eemaldage kütusepaagi kork ja lisage kütus. ÄRGE lisage kütust kuni paagi ülaservani.
 4. Pärast kütuse lisamist kinnitage korralikult kütusepaagi kork.
- Pühkige puhtaks kütusepaagi korgi välispind, et vältida prahi sattumist kütusepaaki.
 - Kui kütusepaagi korgil on märgata mis tahes viga või kahjustust, vahetage kork välja.
 - Aja jooksul kütusepaagi kork kulub. Vahetage kork välja iga kahe-kolme aasta tagant.
 - ÄRGE valage kütust õlilisamisavasse.

Veega eeltäitmine (Joon. 6)

⚠ ETTEVAATUST!

- Ärge käivitage pumba, kui pumba korpus ei ole vett. Vastasel juhul võib mehaaniline tihend kahjustuda.

Eemaldage eeltäitekork ja lisage puhast vett, kuni pumba korpus on veega täitunud. Pärast korpuse täitmist kinnitage eeltäitekork.

MÄRKUS.

- Kui vee sissevõtt ei ole piisav, nõrgeneb pumba isetäituvusvõime.
- Veenduge, et pump asub kindlal pinnal ja nii lähedal veeallikale kui võimalik.
- Mida kõrgemal on sisetõmbepea, seda rohkem aega eeltäitumisele kulub ja seda väiksem on väljutus.

MOOTORI KONTROLLIMINE:

- Kontrollige hoolikalt, kas kütusevoolikud ja liigidid on korralikult kinni ja ei esine kütuselekkeid. Lekkiv kütus loob potentsiaalselt õhtiku olukorra.
- Kontrollige, kas poldid ja mutrid on korralikult kinni. Kui pole, siis kinnitage need. Lahtine polt või mutter võib põhjustada tõsise mootoriprobleemi.
- Kontrollige mootoriõli, vajadusel lisage.
- Kontrollige kütuse taset, vajadusel lisage. Olge ettevaatlik, et mitte paaki üle täita.
- Eemaldage tolm, muru ja muu praht silindri ribide ja käiviti ümbert.
- Kandke mootori käitamisel keha ümber liibuvaid tööriistu.

KÄITAMINE

⚠ HOIATUS!

- Ärge kunagi puudutage kuuma mootori summutit, eriti mootori taaskäivitamise ajal. Mootori töötamise ajal muutub mootori summutit tuliseks.
- Pumba kasutamise ajal ärge asetage käsi ega esemeid väljalaskeklappidele.

⚠ HOIATUS!

Arvestage hüdraulilise löögi võimalusega.

- Vältige sõiduki ratta veeremist üle väljavooluvooliku. Ärge sulgege väljavooluklappi järsult, kuna see põhjustab hüdraulilise löögi, mille tagajärjeks võib olla pumba raske kahjustus.

Käivitamine:

⚠ ETTEVAATUST!

- Ärge tõstke mootori pöördeid vahetult pärast mootori käivitumist, kuna määrdõli ei ole veel jõudnud piisavalt levida. Tarbetud kõrged pöörded lühendavad seadme kasutusiga või põhjustavad kahjustusi.

1. Kontrollige, kas pumba korpus on vett täis.
2. Kontrollige, kas vee all asub kurn.

⚠ ETTEVAATUST!

- Kui veepõhi on kaetud muda või liivaga, võtke tarvitusele ennetavad meetmed.
3. Kontrollige, et väljavooluvooliku suudmes ei ole takistusi.
 4. Keerake mootori I-O (SEES/VÄLJAS) lüliti asendisse „I” (SEES).
 5. Kontrollige, kas drosseli hoob asub tähise „L” juures. (Joon. 7)
 6. Jätkake eeltäitepumba vajutamist, kuni kütus siseneb eeltäitepumba. (Tavaliselt 7 kuni 10 vajutust.)

7. Reguleerige õhuklapi hooba.

- Kui mootor on külm või õhutemperatuur on madal, sulgege õhuklapi hoob täielikult. (Joon. 8)
 - Kui mootor on soe või õhutemperatuur on kõrge, avage õhuklapi hoob poolenisti või hoidke see täiesti avatuna.
8. Tõmmake õrnalt käiviti nuppu, kuni tunnete takistust. Seejärel laske käiviti nupp tagasi ja tõmmake tugevalt.
 - Ärge kunagi tõmmake köit täies pikkuses. Pärast käiviti nupu tõmbamist ärge laske kätt kunagi kohe lahti. Hoidke käiviti nuppu seni, kuni see naaseb algasendisse.
 9. Kui mootorit on raske käivitada, avage gaasihob umbes 1/3 ulatuses.
 9. Kui mootor käivitub, seadke õhuklapi hoob asendisse OPEN (lahiti), kui te olete selle varem sulgenud. (Joon. 9)
 10. Laske mootoril korralikult soojeneda. Jätkake soojendamist asendis „L” 2–3 minutit.

Töötav mootor:

Keerake drosseli hoob keskmisesse asendisse ja kontrollige, kas väljavooluvoolikust väljub vett.

Töö lõpetamine

Mootori seiskamine

Keerake drosseli hoob asendisse „L”, et seada mootor madalaimatele pööretel. Keerake mootori I-O (SEES/VÄLJAS) lüliti asendisse „O” (VÄLJAS).

Vee väljutamine pärast kasutamist

Pumba korpus asub vesi külmub talvel temperatuuridel alla 0 °C ja pump võib puruneda. Pärast kasutamist väljutage enne pumba hoiule asetamist vesi alaosas asuvast väljutusavast.

HOOLDUSSUUNISED

⚠ HOIATUS!

- Enne mis tahes tööde teostamist seadme juures lülitage alati mootor välja. Ärge teostage hooldustöid, kui mootor on veel tuline.

⚠ ETTEVAATUST!

- Ärge peske mootorit hooldamise käigus veega.

MOOTORIÕLI VAHETAMINE

⚠ HOIATUS!

- Vahetult pärast mootori seiskamist on mootor ja mootoriõli endiselt tulised. Laske mootoril ja mootoriõlil piisavalt jahtuda. Vastasel juhul võite enda nahka põletada.

⚠ ETTEVAATUST!

- Enne õli vahetamist valmistage ette sobilik moodus kasutatud õlist vabanemiseks. Ärge valage kasutatud õli kanalisatsiooni, maapinnale ega veekogudesse. Kohalikes planeerimis- või keskkonnaeeskirjades on toodud täpne teave kasutatud õlist vabanemise õigete meetmete kohta. Vananenud mootoriõli lühendab mootori kasutusiga. Kontrollige regulaarselt õli kvaliteeti ja taset.

MÄRKUS.

- Kui õli lisatakse üle piirmäära, võib õli saastuda või süttida valge suitsuga. Õlitaseme näidu täpsuse tagamiseks oodake pärast mootori seiskamist piisavalt, et mootoriõli jõuaks voolata tagasi õlipaaki.

Vahetusintervall: esimese 20 töötunni järel, pärast seda iga 50 töötunni järel

Soovitatav õli: API-klassifikatsiooniga SAE 10W-30 õli, klass SF või kõrgem (4-taktilise mootori õli autodele)

Õli maht:

Mudeli EW1050H puhul: umbes 0,08 l

Mudeli EW1060H puhul: umbes 0,1 l

1. Eemaldage õlimõõtur. (**Joon. 10**)
Olge tähelepanelik ja asetage õlimõõtur kindlasti sellisesse kohta, kus sellele ei satuks mustust, tolmudega muid võõrkehi.
2. Asetage õlitäiteava ümber riidelapp või paberrätik.
3. Eemaldage õlimõõtur, seejärel kallutage mootorit ja väljutage õli vanni vm anumasse.
4. Asetage seade tasasele pinnale. Valage õli pehmest pudelist vm sobilikust anumast. Lisage õli kuni täitekaela ülevoolu punktiini. (**Joon. 4**)
5. Pärast mootorisse õli lisamist asetage tagasi õlimõõtur. Veenduge, et õlimõõtur on korralikult kinni, kuna selle hilisema avanemise korral hakkab õli välja lekkima.

SÜÜTEKÜÜNLA KONTROLLIMINE (Joon. 11)

⚠ ETTEVAATUST!

- Ärge kunagi puudutage süüteküünla ühendusklemmi mootori töötamise ajal (elektrilöögi oht).

Puhastus- ja ülevaatusintervall: iga päev (iga 10 töötunni järel)

- Süüteküünla eemaldamiseks ja paigaldamiseks kasutage ainult kaasasolevat universaalvõtit.
- Süüteküünla kahe elektroodi vahe peab olema 0,7–0,8 mm.

Kui vahe on liiga lai või liiga kitsas, siis reguleerige seda. Kui süüteküünal on ummistunud või saastunud, puhastage see põhjalikult või asendage uuega.

ÕHUPUHASTI PUHASTAMINE (Joon. 12)

⚠ HOIATUS!

- Lülitage mootor välja. Hoidke eemal lahtisest leegist. Määratud õhupuhasti element põhjustab käivitamisraskusi, võimsuskadu, mootoririkkeid ja lühendab oluliselt mootori kasutusiga. Hoidke õhupuhasti element puhtana.

Puhastus- ja ülevaatusintervall: iga päev (iga 10 töötunni järel)

1. Seadke õhuklapi hoob täielikult suletud asendisse, et tolm ja mustus ei pääseks karburaatorisse.
2. Eemaldage õhupuhasti kate kinnituspolt.
3. Tõmmake õhupuhasti kate eemaldamiseks välja kate alumine serv.
4. Eemaldage element ja puhastage see sooja vee ja lahja puhastusvahendi lahusega ning seejärel kuivatage hoolikalt.
5. Paigaldage element kohakuti joontega, nagu joonisel näidatud.
6. Pühkige riidelapiga ära õhupuhasti kate ja õhuti ümbrusesse sattunud õli.
7. Pärast puhastamist asetage tagasi õhupuhasti kate (sisestage esmalt ülemine sakk, seejärel alumine sakk) ja keerake kinni kinnituspolt.

KÜTUSEFILTRI PUHASTAMINE

⚠ HOIATUS!

- Lülitage mootor välja. Hoidke eemal lahtisest leegist. Ärge suitsetage.

Puhastus- ja ülevaatusintervall: iga kuu (iga 50 töötunni järel)

Kütusefiltrit kasutatakse karburaatorisse mineva kütuse filtreerimiseks. Kütusefiltrit tuleb korrapäraselt visuaalselt kontrollida.

1. Avage kütusepaagi kork, kasutage traatkonksu ja tõmmake paagi ava kaudu välja sissetõmbepea.
2. Eemaldage vooliku klamber ja tõmmake kütusetorust välja kütusefilter.
3. Peske kütusefilter petrooleumiga.
4. Pärast pesemist paigaldage see tagasi.
5. Kui filter on jäik või ummistunud, asendage see uuega.

Vahetage kütusefiltrit vähemalt kord kvartalis, et tagada piisav kütusevool karburaatorisse. Vastasel juhul võib ebapiisava kütusevoolu tõttu nurjuda mootori käivitumine ja väheneda maksimaalne kiirus.

Pärast kontrollimist, puhastamist või vahetamist kinnitage kütusefilter vooliku klambriga kütusetoru külge. Lükake kütusefilter lõpuni kütusepaagi põhja. (**Joon. 13**)

KÜTusetORU VAHETAMINE (Joon. 14)

⚠ HOIATUS!

- Lülitage mootor välja. Hoidke eemal lahtisest leegist.

Puhastus- ja ülevaatusintervall: iga päev (iga 10 töötunni järel)

Vahetamine: igaal aastal (iga 200 töötunni järel)

Vahetage kütusetoru kord aastas, sõltumata töötamisintensiivsusest. Kütuseleke võib põhjustada tulekahju.

Kui avastate kontrollimise käigus lekke, vahetage koheselt kütusetoru välja.

POLTIDE, MUTRITE JA KRUVIDE KONTROLLIMINE

- Kinnitage lahtised poldid, mutrid jne.
- Kontrollige, kas kütusekork ja õlikork on korralikult kinni. Kontrollige kütuse- ja õlilekete olemasolu.
- Ohutu töö tagamiseks vahetage kahjustatud osad uute vastu.

OSADE PUHASTAMINE

- Hoidke mootor alati puhtana, pühkides mustuse maha riidelapiga.
- Hoidke silindri ribid tolmust ja prahist puhtana. Silindri ribidele sattuv tolm ja mustus võivad põhjustada kolvi seiskumise.

Regulaarse hooldusgraafiku tabel

Detail	Tööaeg	Enne	Iga päev	50 t	200 t	Enne
		töötamist	(10 t)			hoiule
Mootoriõli	Kontrollimine/lisamine	○				
	Vahetamine			○*1		
Osade kinnikeeramine (poldid, mutrid)	Kontrollimine	○				
Kütusepaak	Puhastamine/kontrollimine	○				
	Kütuse väljutamine					○
Drosseli hoob	Töötamise kontrollimine	○				
I-O (SEES/VÄLJAS) lüliti	Töötamise kontrollimine	○				
Õhupuhasti	Puhastamine		○			
Süüteküünlal	Kontrollimine		○			
	Puhastamine/reguleerimine				○	
Jahutusõhu läbikäik ja silindri ribad	Puhastamine/kontrollimine		○			
Kütusetoru	Kontrollimine		○			
	Vahetamine				◎*2	
Kütusefilter	Puhastamine/vahetamine			○		
Klapi kliirens (sisselaskeklapp ja väljalaskeklapp)	Kontrollimine/reguleerimine				◎*2	
Vajadusel mootori kapitaalhooldus					◎*2	
Karburaator	Kütuse väljutamine					○
Pumbakomplekt	Puhastamine		○			
Kurn	Kontrollimine/puhastamine	○				

*1 Esimene vahetus teostage 20 töötunni järel.

Enne õli vahetamist valmistage ette sobilik moodus kasutatud õlist vabanemiseks. Ärge valage kasutatud õli kanalisatsiooni, maapinnale ega veekogudesse. Kohalikes planeerimis- või keskkonnanäeskirjades on toodud täpne teave kasutatud õlist vabanemise õigete meetmete kohta.

*2 200 töötunni järgse ülevaatuse teostamiseks pöörduge volitatud teeninduskeskusesse.

HOIUSTAMINE

⚠ HOIATUS!

- Enne kütuse väljutamist seisake kindlasti mootor ja veenduge, et see on maha jahtunud. Vahetult pärast seiskamist võib mootor olla endiselt kuum ning põhjustada põletusi, süttimist ja tulekahju.

⚠ ETTEVAATUST!

- Kui seadet ei kasutata pika aja jooksul, väljutage kütusepaagist kogu kütus ja hoidke seda kuivas ja puhtas kohas.

Enne hoiule asetamist

- Eemaldage väljutusavast täielikult kogu vesi.
- Tõmmake õrnalt mootori käiviti hooba, kuni tunnete takistust.
- Pärast kütuse väljutamist kütusepaagist vajutage eeltäitepumpa, kuni kütus väljub gaasitorust. Eemaldage kütus veelkord pumbast.
- Seadke drosseli hoob asendisse „L”.
- Pühkige ära kogu tolm ja mustus.

6. Hoidke pumpa kuivas ja soojas kohas, kus ei esine külmumisohtu.

Transportimine

Masina tõstmisel ja transportimisel hoidke käepidemest tugevalt mõlema käega kinni.

TÕRKEOTSING

Enne remondisoovi esitamist teostage ise tõrkeotsing. Hälvete avastamisel kontrollige masinat vastavalt käesolevas juhendis toodud kirjeldusele. Ärge kunagi muutke ega demonteerige ühtegi osa vastupidiselt kirjeldustele. Paranduste teostamiseks pöörduge volitatud teeninduskeskusesse.

Tõrge	Põhjus	Lahendus
Mootor ei käivitu.	Eeltäitepump ei tööta.	Vajutage 7 kuni 10 korda.
	Käivitiköie madal tõmbekiirus.	Tõmmake tugevalt.
	Vähe kütust.	Lisage kütust.
	Ummistunud kütusefilter.	Puhastage.
	Kütusetoru pole ühendatud.	Ühendage kütusetoru korralikult.
	Kütusetoru on väändunud.	Painutage kütusetoru sirgeks.
	Vananenud kütus.	Vananenud kütus raskendab käivitumist. Vahetage uue kütuse vastu. (Soovitav vahetamine: 1 kuu järel)
	Kütuse liigne sissetõmme.	Seadke drosseli hoob keskmisesse asendisse või asendisse „H” ja tõmmake käiviti käepidet, kuni mootor käivitus. Kui mootor endiselt ei käivitu, eemaldage süüteküünlal, kuivatage elektrood ja paigaldage need tagasi algasendisse. Seejärel käivitage, nagu kirjeldatud.
	Küünla kork on eemaldatud.	Kinnitage korralikult.
	Saastunud süüteküünlal.	Puhastage.
	Süüteküünla ebanormaalne kliirens.	Reguleerige kliirensit.
	Süüteküünla muud laadi hälve.	Vahetage uue vastu.
	Karburaatori hälve.	Laske kontrollida ja hooldada.
	Käiviti köit ei saa tõmmata.	Laske kontrollida ja hooldada.
Ajamisüsteemi hälve.	Laske kontrollida ja hooldada.	
Mootor seiskub peagi. Mootori kiirus ei suurene.	Ebapiisav soojenemine.	Teostage soojendamistoiming.
	Õhuklapi hoob on seatud asendisse „CLOSE” (suletud), ehkki mootor on soojenenud.	Seadke asendisse „OPEN” (avatud).
	Ummistunud kütusefilter.	Puhastage.
	Saastunud või ummistunud õhupuhasti.	Puhastage.
	Karburaatori hälve.	Laske kontrollida ja hooldada.
	Ajamisüsteemi hälve.	Laske kontrollida ja hooldada.
Pump ei tööta.	Tiiviku kinnikiilumine.	Laske see parandada kohalikus volitatud Makita teeninduskeskuses.

Pumpamismaht on väike.	Õhk siseneb sissetõmbe poolde.	Kontrollige sissetõmbe poole torustikku.
	Mootori väljundvõimsus langeb.	Laske see parandada kohalikus volitatud Makita teeninduskeskuses.
	Mehaanilise tihendi purunemine.	Vahetage muhv.
	Suur sissetõmbetõste.	Langetage sissetõmbetõstet.
	Voolik õhuke, pikk või sõlmes.	Tihendage või lühendage või sirgendage.
	Vee läbikäigust lekib vett.	Peatage leke.
	Võõrkeha on ummistanud tiiviku.	Laske see parandada kohalikus volitatud Makita teeninduskeskuses.
	Tiivik on kulunud.	Laske see parandada kohalikus volitatud Makita teeninduskeskuses.
Pump ei isetäitu.	Õhu sissetõmme sissetõmbe poolel.	Kontrollige sissetõmbe poole torustikku.
	Ebapiisav vee eeltäide pumba korpuse sees.	Eeltäitke täielikult.
	Äravoolukraani puudulik kinnitus.	Kinnitage kaks korki täielikult.
	Mootori puudulik pöörlemine.	Laske see parandada kohalikus volitatud Makita teeninduskeskuses.
	Õhk siseneb mehaanilisest tihendist.	Vahetage muhv.

Объяснение общего вида

1 Заглушка (заливка)	13 Глушитель	26 Подача
2 Подача	14 Рычаг воздушной заслонки	27 Всасывание
3 Всасывание	15 Кнопка стартера	28 Фильтр
4 Заглушка (слив)	16 Возвратный стартер	29 Шланг (дополнительная принадлежность)
5 Кожух насоса	17 Масляный манометр	30 Масляный манометр
6 Рукоятка	18 Основа	31 Верхний уровень
7 Крышка свечи зажигания	19 Рычаг акселератора	32 Нижний уровень
8 Воздухоочиститель	20 Уплотнитель	33 Крышка топливного бака
9 Крышка топливного бака	21 Муфта шланга	34 Верхний уровень
10 Топливный бак	22 Гайка с накаткой	35 Топливный бак
11 Заливочный насос	23 Обод шланга	36 Топливопровод
12 Переключатель I-O (Вкл./Выкл.)	24 Шланг	
	25 Заглушка (заливка)	

Благодарим Вас за приобретение мотопомпы MAKITA. Мы рады представить Вам мотопомпу MAKITA, являющуюся результатом длительной программы разработки и многолетних исследований. Пожалуйста, прочитайте данную брошюру, в которой подробно описаны различные моменты, которые продемонстрируют его выдающиеся технические характеристики. Она поможет Вам получить наилучший возможный результат от использования Вашей мотопомпы MAKITA.

СИМВОЛЫ

При чтении инструкции по эксплуатации Вы встретите следующие символы.



Прочитайте инструкцию по эксплуатации и выполняйте и указания по технике безопасности.



Соблюдайте особую осторожность и будьте особенно внимательны.



Никогда не используйте мотор в помещении.



Не прикасайтесь к мотору, когда он горячий.



Беречь от открытого огня!



Перед запуском проверяйте уровень масла.



Маркировка CE

⚠ ПРЕДОСТЕРЕЖЕНИЕ:

• **ПОЖАЛУЙСТА, ПРОЧИТАЙТЕ И ПОЛНОСТЬЮ ПОЙМИТЕ НАСТОЯЩЕЕ РУКОВОДСТВО ПЕРЕД РАБОТОЙ С ЭТИМ УСТРОЙСТВОМ.**

Следующие метки ⚠ указывают важную информацию по безопасности. Всегда соблюдайте эти указания. Неправильное использование оборудования может привести к серьезным несчастным случаям.

⚠ ОПАСНО: Несоблюдение инструкций может привести к смерти или серьезной травме.

⚠ ПРЕДОСТЕРЕЖЕНИЕ: Несоблюдение ПРЕДОСТЕРЕГАЮЩИХ инструкций может привести к серьезной травме или смерти оператора машины, находящихся поблизости людей или человека, проверяющего или ремонтирующего устройства.

⚠ ПРЕДУПРЕЖДЕНИЕ: ПРЕДУПРЕЖДЕНИЕ указывает на специальные меры предосторожности, которые необходимо соблюдать во избежание травмы и повреждения устройства.

ПРИМЕЧАНИЕ: ПРИМЕЧАНИЕ предоставляет ключевую информацию для более простого или ясного выполнения процедур.

ПРАВИЛА ТЕХНИКИ БЕЗОПАСНОСТИ

- В данной инструкции по эксплуатации объясняется общее использование и меры предосторожности для оборудования. Перед началом работы с оборудованием внимательно прочитайте данную инструкцию по эксплуатации. Строго соблюдайте правила техники безопасности.
- Держите данную инструкцию по эксплуатации в надежном месте для дальнейших справок. В случае утери или порчи данной инструкции по эксплуатации немедленно обратитесь в уполномоченный центр по техобслуживанию Makita для замены.
- Если Вы даете на время или дарите оборудование другим людям, обязательно передайте вместе с оборудованием инструкцию по эксплуатации и другие информационные материалы.

- Вследствие нашей постоянной программы исследования и развития приведенные технические характеристики могут быть изменены без уведомления. Иллюстрации или содержание в данной инструкции могут отличаться от действительного изделия.
- Если Вам необходима какая-либо помощь относительно дальнейших подробностей, обращайтесь к Вашему дилеру или в Ваш местный центр по техобслуживанию Makita.

Предполагаемое использование устройства

Это оборудование предназначено только для поливки или орошения водой.

Это оборудование используется только для накачивания чистой воды.

⚠ ОПАСНО:

- Не выполняйте модификацию или переделку оборудования.
- Не используйте оборудование ни для каких целей, кроме предназначенного использования.
- Используйте только оригинальные утвержденные запасные части для технического обслуживания и ремонта.
- Несоблюдение вышеприведенного требования может привести к серьезному повреждению оборудования или травме.

МЕРЫ ПРЕДОСТОРОЖНОСТИ ОТНОСИТЕЛЬНО ВЫХЛОПОВ

- Ни в коем случае не вдыхайте выхлопные газы. Они содержат угарный газ, чрезвычайно опасный газ без цвета и запаха, который может вызвать потерю сознания или смерть.
- Никогда не используйте мотор в помещении или в местах с плохой вентиляцией, например, в тоннелях, пещерах и т.п.
- Проявляйте особую внимательность при работе мотора вблизи людей или животных.
- Не допускайте попадания в выхлопную трубу посторонних предметов.

МЕРЫ ПРЕДОСТОРОЖНОСТИ ПРИ ЗАПРАВКЕ ТОПЛИВА

- Перед заправкой топливом обязательно остановите мотор.
- Не заливайте слишком много топлива в топливный бак.
- Если топливо пролилось, тщательно вытрите его и подождите, пока оно не высохнет, прежде чем запускать мотор.
- После заправки обязательно проверьте, чтобы крышка топливного бака была закрыта, для предотвращения проливания.

ПРОТИВОПОЖАРНЫЕ МЕРЫ

- Не используйте оборудование во время курения или вблизи открытого пламени.
- Не используйте оборудование рядом с сухими кустами, ветками, тряпками и другими огнеопасными материалами.
- Держите мотор, по крайней мере, в 1 метре от зданий и других строений.
- Держите мотор вдали от огнеопасных и других опасных материалов (мусор, тряпки, смазочные или взрывоопасные вещества).

Только для европейских стран

Сертификат соответствия Европейского Сообщества

Корпорация Makita, как ответственный производитель, заявляет, что следующий(е) механизм(ы) Makita:

Наименование устройства: Мотопомпа
 № модели/ Тип: EW1050H, EW1060H
 Технические характеристики: см. таблицу
 "ТЕХНИЧЕСКИЕ ДАННЫЕ"

является серийным изделием и
Удовлетворяет следующим Европейским Сертификатам:

2000/14/ЕС, 2006/42/ЕС, 2010/26/EU,
 2004/108/ЕС, 2000/14/ЕС, 2005/88/ЕС

А также производится в соответствии со следующими стандартами или документами по стандартизации:

EN 809, EN 55012

Техническая документация хранится:

Makita International Europe Ltd., Технический отдел,
 Michigan Drive, Tongwell, Milton Keynes, Bucks
 MK15 8JD, England

Процедура определения соответствия, необходимая по Директиве 2000/14/ЕС, была проведена согласно Приложению V.

Измеренный уровень мощности звука:
 100,9 dB(A)

Гарантированный уровень мощности звука:
 109 dB(A)

31.8.2012



Tomoyasu Kato
 Директор
 Makita Corporation
 3-11-8, Sumiyoshi-cho,
 Anjo, Aichi, JAPAN

ТЕХНИЧЕСКИЕ ДАННЫЕ

		EW1050H	EW1060H	
Вес	кг	5,8	7,3	
Размер	мм	327 x 231 x 319	356 x 234 x 336	
Тип		Самозаливочный ЦЕНТРОБЕЖНЫЙ НАСОС		
Диаметры (всасывание-выпуск)	дюйм	1		
Высота подачи воды	М	35	45	
Максимальный объем подачи	л/мин	110	130	
Максимальная высота всасывания	М	8	8	
Объем (топливный бак)	л	0,5	0,65	
Объем (масляный бак)	л	0,08	0,1	
Рабочий объем цилиндров двигателя	см ³	24,5	33,5	
Максимальная мощность мотора	кВт	0,71 при 7000 мин ⁻¹	1,07 при 7000 мин ⁻¹	
Карбюратор	тип	Мембрана		
Система зажигания	тип	Полупроводниковое зажигание		
Свеча зажигания	тип	NGK CMR6A		
Зазор между электродами	мм	0,7 – 0,8		
Топливо		Автомобильный бензин		
Моторное масло		Масло SAE 10W-30 по классификации API, Класс SF или выше (4-тактный двигатель для автомобиля)		
Применимая температура воды	°C	5 – 40	5 – 40	
Уровень звукового давления	L _{рА eq}	dB (A)	88,4	88,4
	Погрешность К	dB (A)	3	3
Уровень мощности звука	L _{wA, d}	dB (A)	109	109

Примечание: Во время работы используйте средства защиты для органов слуха.

РАСПОЛОЖЕНИЕ ЧАСТЕЙ (Рис. 1 и 2)

СБОРКА (Рис. 3)

⚠ ПРЕДОСТЕРЕЖЕНИЕ:

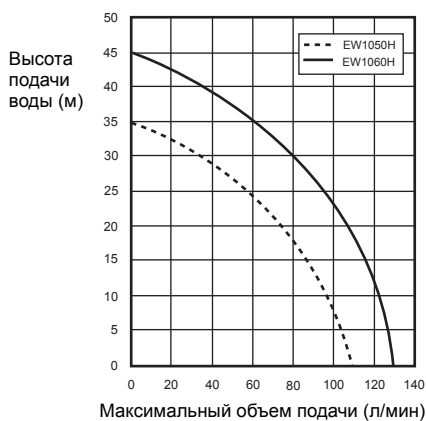
- Перед выполнением любых действий с оборудованием обязательно остановите мотор.
- Запускайте мотор только после того, как оборудование будет полностью собрано.

УСТАНОВКА ШЛАНГА

1. Вставьте муфты шланга в насос.

⚠ ПРЕДУПРЕЖДЕНИЕ:

- При установке муфты в насос убедитесь, что уплотнитель находится на месте.
2. Соедините шланги на муфтах с ободом. Проверьте, что обод шланга надежно привинчен.



3. Подсоедините фильтр на конце всасывающего шланга.

ПРИМЕЧАНИЕ:

- В случае утечки воздуха вода не сможет подниматься.

⚠ ПРЕДУПРЕЖДЕНИЕ:

- Не удаляйте фильтр, иначе может произойти повреждение насоса посторонними предметами. Проверьте, что обод шланга надежно привинчен.

ПРЕЭКСПЛУАТАЦИОННЫЕ ПРОВЕРКИ

⚠ ПРЕДОСТЕРЕЖЕНИЕ:

- Перед выполнением любых действий с оборудованием обязательно остановите мотор. Обязательно выполняйте работу на ровной и устойчивой поверхности.
- Перед запуском мотора проверьте, нет ли на оборудовании открученных винтов или открученных соединительных частей.
- Избегайте прикосновений к мотору и глушителю любыми частями тела или одежды во время проверки и ремонта, пока они еще горячие.
- Уделяйте особое внимание вентиляции. Остерегайтесь отравления углекислым газом CO.

ПРОВЕРКА И ЗАПРАВКА МОТОРНОГО МАСЛА (Рис. 4)

Выполните следующую процедуру при охлажденном моторе.

- Убедитесь, что мотор находится в горизонтальном положении.
- Не заправляйте масляный манометр в масляный фильтр для проверки уровня масла.
- Проверьте, находится ли уровень масла между нижним и верхним пределом на масляном манометре.
- Если уровень масла ниже нижнего предела, добавьте масла.
- Вам может потребоваться заправлять масло приблизительно через каждые 10 часов работы (каждая 10 заправка).
- Если масло изменило цвет или смешалось с пылью, замените его новым.

Рекомендуемое масло: Масло SAE 10W-30 по классификации API, Класс SF или выше (4-тактный двигатель для автомобиля)

Объем масла:

Для модели EW1050H: Приблиз. 0,08 л

Для модели EW1060H: Приблиз. 0,1 л

ПРИМЕЧАНИЕ:

- Если мотор расположен не горизонтально, показание уровня масла может быть неточным, и возможно переливание масла. Наполнение маслом выше верхнего предела может привести к загрязнению масла или белому дыму.

Заправка моторного масла

1. Положите мотор в горизонтальное положение и отсоедините масляный манометр.
2. Залейте масло до метки верхнего уровня. При заправке используйте банку с маслом.

3. Надежно закрепите масляный манометр. Недостаточное завинчивание может привести к проливанью масла.

После заправки масла

- Немедленно вытрите все пролитое масло ветошью.

Замена масла: Масляный манометр

- Удалите пыль и загрязнения около отверстия для заправки масла.
- Держите отсоединенный масляный манометр вдали от песка или пыли. В противном случае песок или пыль, попавшие в крышку маслосапливочной горловины, могут привести к проблемам с неправильной циркуляцией масла или привести к износу частей мотора.

ТОПЛИВО

⚠ ПРЕДОСТЕРЕЖЕНИЕ:

- Топливо является чрезвычайно опасным и ядовитым. При обращении с топливом не приближайтесь к открытому пламени (сигаретам, печам, фейерверкам), электрическим искрам (батарейкам, цепи короткого замыкания, искрам от закороченного переключателя, сварочным искрам и т.п.).
- Перед заправкой топливом обязательно остановите мотор. Не заправляйте топливо, пока мотор еще горячий.
- Обязательно проявляйте достаточную внимательность не только при заправке топлива, а также даже при переливании топлива в небольшую емкость.
- После заправки надежно закрутите крышку топливного бака и тщательно вытрите все пролившееся топливо.

Обращение с топливом

При обращении с топливом необходимо соблюдать чрезвычайную осторожность. Топливо может содержать субстанции, напоминающие растворители. Заправку необходимо проводить в помещении с достаточной вентиляцией или на открытом воздухе. Ни в коем случае не вдыхайте испарения топлива, а также держите топливо на расстоянии от себя. При регулярном или длительном контакте с топливом кожа высушивается, что может привести к кожным заболеваниям или аллергическим реакциям. При попадании топлива в глаза промойте их чистой водой. Если раздражение глаз не исчезнет, обратитесь к врачу.

Время хранения топлива

Топливо необходимо использовать в течении 4 недель, даже если оно хранится в специальной емкости в затененном месте с достаточной вентиляцией.

При отсутствии таких условий топливо может стать непригодным к использованию за один день.

Хранение устройства и заправка топливного бака

- Держите устройство и бак в прохладном месте, не подвергнувшись воздействию прямых солнечных лучей.
- Ни в коем случае не храните топливо в автомобиле.

Тип топлива:

Мотор является четырехтактным. Обязательно используйте неэтилированный автомобильный бензин с октановым числом не ниже 87 ((R+M)/2). Он может содержать не более 10% спирта (Е-10).

- Ни в коем случае не используйте бензиновую смесь, содержащую моторное масло. В противном случае это приведет к чрезмерному накоплению углерода или механическим неисправностям.

Емкость топливного бака:

Для модели EW1050H: 0,5 л

Для модели EW1060H: 0,65 л

Заправка топлива (Рис. 5)

1. Положите мотор в горизонтальное положение.
 2. Немного отвинтите крышку топливного бака, чтобы выровнять давление внутри бака с атмосферным.
 3. Снимите крышку топливного бака и заправьте топливо. НЕ заполняйте бак топливом полностью до краев бака.
 4. После заправки надежно закрутите крышку топливного бака.
- Вытрите вокруг крышки топливного бака для предотвращения попадания загрязнений в топливный бак.
 - В случае наличия каких-либо трещин или повреждений в крышке топливного бака замените его.
 - Крышка топливного бака изнашивается с течением времени. Заменяйте ее каждые два или три года.
 - НЕ допускайте попадания топлива на область маслосливной горловины.

Заливочная вода (Рис. 6)

⚠ ПРЕДУПРЕЖДЕНИЕ:

- Не запускайте насос без воды в кожухе насоса. В противном случае возможно повреждение механического уплотнения.

Удалите заливочную заглушку и добавьте чистую воду, пока кожух насоса не будет заполнен водой. После заполнения завинтите заливочную заглушку.

ПРИМЕЧАНИЕ:

- В случае недостаточного водозабора способность к самозаливке станет ниже.
- Убедитесь, что насос находится в устойчивом месте как можно ближе к доступному источнику воды.
- Чем выше находится всасывающая головка, тем больше времени понадобится для заливки с меньшим расходом.

ПРОВЕРКА МОТОРА:

- Внимательно проверьте, не отвинчены ли шланги подачи топлива и муфты, и нет ли утечки топлива. Вытекшее топливо вызывает потенциально опасную ситуацию.
- Проверьте, не отвинчены ли болты и гайки. Завинтите их в случае необходимости. Развинченный болт или гайка могут вызвать серьезную проблему с мотором.
- Проверьте моторное масло и заправьте его при необходимости.
- Проверьте уровень топлива и заправьте его при необходимости. Будьте внимательны, чтобы не переполнить бак.

- Не допускайте попадания пыли, травы и других загрязнений на ребра цилиндра и возвратный стартер.

- При работе с мотором используйте плотно облегающую защитную одежду.

ЭКСПЛУАТАЦИЯ

⚠ ПРЕДОСТЕРЕЖЕНИЕ:

- Никогда не прикасайтесь к горячему глушителю мотора особенно при перезапуске мотора. Глушитель мотора становится горячим после запуска мотора.
- Не помещайте руки или другие посторонние предметы в выпускные клапаны во время использования насоса.

⚠ ПРЕДОСТЕРЕЖЕНИЕ:

Опасность гидравлического удара

- Не позволяйте колесу инструмента выходить за шланг подачи. Не закрывайте неожиданно клапан подачи, так как произойдет гидравлический удар, который может привести к сильному повреждению насоса.

Запуск:

⚠ ПРЕДУПРЕЖДЕНИЕ:

- Так как смазочное масло еще не распространилось в достаточной мере, не увеличивайте число оборотов мотора сразу после его запуска. Излишне высокое вращение сокращает срок службы оборудования или приводит к повреждению.

1. Проверьте, что кожух насоса заполнен водой.

2. Проверьте, что фильтр установлен под водой.

⚠ ПРЕДУПРЕЖДЕНИЕ:

- Используйте какой-либо профилактический метод, когда нижняя часть воды покрыта грязью или песком.

3. Проверьте, нет ли препятствий на выходном патрубке шланга подачи.

4. Поверните переключатель I-O (ВКЛ./ВЫКЛ.) мотора в положение "I" (ВКЛ.).

5. Проверьте, что ручка акселератора указывает на "L". (Рис. 7)

6. Продолжайте нажимать на заливочный насос, пока в него не поступит топливо. (Обычно от 7 до 10 нажатий.)

7. Отрегулируйте рычаг воздушной заслонки.

- В случае холодного мотора или низкой температуры окружающей среды закройте рычаг воздушной заглушки полностью. (Рис. 8)

- В случае теплого мотора или высокой температуры окружающей среды откройте рычаг воздушной заглушки наполовину или держите его полностью открытым.

8. Аккуратно тяните рукоятку стартера, пока не будет ощущаться определенное сопротивление. Затем верните рукоятку стартера и сильно потяните ее. Никогда не вытягивайте трос на всю длину. После того, как рукоятка стартера будет вытянута, никогда резко не отпускайте руку. Держите рукоятку стартера, пока она не вернется к исходной точке.

Если запустить двигатель не удается, откройте дроссельную заслонку примерно на 1/3.

9. После запуска мотора установите рычаг воздушной заслонки в положение ОТКРЫТО, если Вы закрывали рычаг воздушной заслонки. (Рис. 9)
10. Дайте мотору достаточно “прогреться”. Продолжайте операцию прогрева от 2 до 3 минут в положении “L”.

Работа мотора:

Поверните рычаг акселератора в среднее положение и проверьте, что вода выходит из шланга подачи.

Завершение работы

Остановка мотора

Поверните рычаг акселератора в положение “L”, чтобы установить мотор на самое низкое вращение. Поверните переключатель I-O (ВКЛ./ВЫКЛ.) мотора в положение “O” (ВЫКЛ.).

Спуск воды после использования

Вода внутри кожуха насоса замерзает при температуре ниже 0°C в зимнее время, что может привести к возможному повреждению насоса. После использования слейте воду из сливного отверстия в нижней части для хранения.

ИНСТРУКЦИЯ ПО ТЕХНИЧЕСКОМУ ОБСЛУЖИВАНИЮ

⚠ ПРЕДОСТЕРЕЖЕНИЕ:

- Перед выполнением любых действий с оборудованием обязательно остановите мотор. Не выполняйте никакие работы, пока мотор еще горячий.

⚠ ПРЕДУПРЕЖДЕНИЕ:

- Не мойте мотор водой во время технического обслуживания.

ЗАМЕНА МОТОРНОГО МАСЛА

⚠ ПРЕДОСТЕРЕЖЕНИЕ:

- Мотор и моторное масло еще горячие сразу после остановки мотора. Дайте мотору и моторному маслу достаточно времени, чтобы охладиться. В противном случае это может привести к ожогам.

⚠ ПРЕДУПРЕЖДЕНИЕ:

- Перед заменой масла определите подходящий способ утилизации старого масла. Не выливайте его в канализацию, в землю или в открытые водоёмы. Ваши местные муниципальные и природоохранные органы предоставят Вам более подробные инструкции о подходящих способах утилизации.

Загрязненное моторное масло сокращает срок службы мотора. Обязательно регулярно проверяйте масло и его уровень.

ПРИМЕЧАНИЕ:

- Если масло залито выше ограничительной метки, оно может загрязниться или может привести к возгоранию с белым дымом. Подождите достаточное время после остановки двигателя для возвращения моторного масла в топливный бак, чтобы обеспечить правильность считывания \ уровня масла.

Интервал замены: После первых 20 часов работы, затем через каждые 50 часов работы.

Рекомендуемое масло: Масло SAE 10W-30 по классификации API, Класс SF или выше (4-тактный двигатель для автомобиля)

Объем масла:

Для модели EW1050H: Приблиз. 0,08 л

Для модели EW1060H: Приблиз. 0,1 л

1. Снимите масляный манометр. (Рис. 10)

Аккуратно поместите масляный манометр в место, где он не вступает в контакт с пылью, грязью или другими посторонними предметами.

2. Поместите ткань или бумажное полотенце на область вокруг отверстия масляного фильтра.
3. Удалите масляный фильтр, а затем наклоните мотор и слейте масло в посуду или другую емкость.
4. Поместите оборудование на ровную поверхность. Залейте масло из гибкой бутылки или другой подходящей емкости. Заливайте масло до точки наполнения заливной горловины. (Рис. 4)
5. После заполнения мотора маслом снова вставьте масляный манометр. Убедитесь, что масляный манометр надежно привинчен, так как в случае недостаточного завинчивания в дальнейшем будет вытекать масло.

ПРОВЕРКА ЗАПАЛЬНОЙ СВЕЧИ (Рис. 11)

⚠ ПРЕДУПРЕЖДЕНИЕ:

- Никогда не прикасайтесь к колпачку свечи зажигания, пока двигатель работает (опасность поражения электрическим током высокого напряжения).

Промежуток чистки и проверки: Ежедневно (каждые 10 часов работы)

- Для удаления или установки свечи зажигания используйте только поставляемый универсальный гаечный ключ.
- Зазор между двумя электродами свечи зажигания должен составлять 0,7 – 0,8 мм.

Если зазор слишком широкий или слишком узкий, подрегулируйте его. Если свеча зажигания забилась нагаром или загрязнилась, полностью очистите или замените ее.

ЧИСТКА ВОЗДУХООЧИСТИТЕЛЯ (Рис. 12)

⚠ ПРЕДОСТЕРЕЖЕНИЕ:

- Выключите мотор. Выберите место вдали от открытого пламени. Загрязненный элемент воздухоочистителя вызывает затруднения при запуске, снижение мощности, неисправности мотора и значительно сокращает срок службы мотора. Поддерживайте чистоту элемента воздухоочистителя.

Промежуток чистки и проверки: Ежедневно (каждые 10 часов работы)

1. Поместите рычаг воздушной заслонки в полностью закрытое положение таким образом, чтобы пыль и грязь не могли попасть в карбюратор.
2. Удалите фиксирующий болт крышки воздухоочистителя.
3. Вытяните нижний край крышки, чтобы удалить крышку воздухоочистителя.
4. Удалите элемент, а затем очистите его раствором теплой воды и мягкого моющего средства, тщательно высушив его после этого.

5. Установите его в соответствии с линиями, как показано на рисунке.
6. Вытрите тряпкой масло, попавшее в область вокруг крышки воздухоочистителя и всасывающей трубы.
7. После чистки заново соберите крышку воздухоочистителя (вставьте сначала ушко сверху, а затем вставьте нижнее ушко) и закрутите фиксирующий болт.

ЧИСТКА ЧАСТЕЙ

- Поддерживайте чистоту двигателя, протирая его куском ветоши.
- Не допускайте попадания пыли или грязи на ребра цилиндра. Пыль или грязь, попавшие на ребра, могут привести к прихвату поршня.

ЧИСТКА ТОПЛИВНОГО ФИЛЬТРА

ПРЕДОСТЕРЕЖЕНИЕ:

- Выключите мотор. Выберите место вдали от открытого пламени. Не курите.

Промежуток чистки и проверки: Ежемесячно (каждые 50 часов работы)

Топливный фильтр используется для фильтрации топлива, необходимого для карбюратора. Необходимо проводить периодический визуальный осмотр топливного фильтра.

1. Откройте крышку топливного бака, используйте проволочный крючок и вытащите всасывающую головку через отверстие бака.
2. Удалите зажим шланга и вытяните топливный фильтр из топливопровода.
3. Промойте топливный фильтр керосином.
4. После промывки заново соберите его.
5. Если фильтр затвердел или забился, замените его на новый.

Заменяйте топливный фильтр, по крайней мере, ежеквартально для обеспечения достаточной подачи топлива в карбюратор. В противном случае недостаточная подача топлива может привести к сбою в запуске мотора и к ограничению максимальной скорости.

После проверки, чистки или замены закрепите топливный фильтр на топливопроводе с помощью зажима шланга.

Вдавите топливный фильтр полностью снизу топливного бака. (Рис. 13)

ЗАМЕНА ТОПЛИВОПРОВОДА (Рис. 14)

ПРЕДОСТЕРЕЖЕНИЕ:

- Выключите мотор. Выберите место вдали от открытого пламени.

Промежуток чистки и проверки: Ежедневно (каждые 10 часов работы)

Замена: Ежегодно (каждые 200 часов работы)

Заменяйте топливопровод ежегодно вне зависимости от частоты работы. Утечка топлива может привести к возгоранию.

Если во время проверки обнаружена утечка, немедленно замените топливопровод.

ПРОВЕРКА БОЛТОВ, ГАЕК И ВИНТОВ

- Заново закрутите болты, гайки и др.
- Проверьте, как закручена крышка топливного бака и крышка масляного бака. Проверьте, нет ли утечки топлива и масла.
- Для безопасной работы замените поврежденные части на новые.

Таблица расписания периодического технического обслуживания

Время работы		Перед работой	Ежедневно (10 ч.)	50 ч.	200 ч.	Перед хранением
Пункт	Моторное масло	Проверка/заправка	○			
	Замена			○*1		
Закручивающиеся части (болт, гайка)	Проверка	○				
Топливный бак	Чистка/проверка	○				
	Слив топлива					○
Рычаг акселератора	Проверка функционирования	○				
Переключатель I-O (Вкл./Выкл.)	Проверка функционирования	○				
Воздухоочиститель	Чистка		○			
Свеча зажигания	Проверка		○			
	Чистка/настройка				○	
Канал охлаждающего воздуха и ребра цилиндра	Чистка/проверка		○			
Топливопровод	Проверка		○			
	Замена					◎*2
Топливный фильтр	Очистка/замена			○		
Клапанный зазор (впускной клапан и выпускной клапан)	Проверка/настройка				◎*2	
Тщательная проверка мотора при необходимости					◎*2	
Карбюратор	Слив топлива					○
Насос	Чистка		○			
Фильтр	Проверка/чистка	○				

*1 Выполните первоначальную замену через 20 ч. работы.

Перед заменой масла определите подходящий способ утилизации старого масла. Не выливайте в канализацию, в землю или в открытые водоемы. Ваши местные муниципальные и природоохранные органы предоставят Вам более подробные инструкции о подходящих способах утилизации.

*2 Через 200 часов работы для выполнения проверки обратитесь в уполномоченный центр по техобслуживанию.

ХРАНЕНИЕ

⚠ ПРЕДОСТЕРЕЖЕНИЕ:

- Во время слива топлива обязательно отключите мотор и убедитесь, что мотор остыл. Сразу после остановки мотора он может быть все еще горячим, что вызывает опасность ожогов, огнеопасности и возгорания.

⚠ ПРЕДУПРЕЖДЕНИЕ:

- Если инструмент не используется в течение длительного времени, слейте все топливо из топливного бака и поместите его на хранение в чистое сухое место.

Перед хранением

1. Полностью слейте всю воду из сливного отверстия.
2. Аккуратно потяните рукоятку возвратного стартера, пока не почувствуется сопротивление.
3. После удаления топлива из топливного бака нажимайте заливной насос, пока не выйдет топливо из газовой трубы. Удалите топливо из насоса еще раз.
4. Установите рычаг акселератора в положение "L".
5. Сотрите пыль и загрязнения.

6. Храните насос в сухом теплом месте, в котором отсутствует вероятность замораживания.

Перевозка

При поднимании и перевозке аппарата надежно удерживайте рукоятку обеими руками.

ПОИСК НЕИСПРАВНОСТЕЙ

Перед обращением за ремонтом самостоятельно проверьте неисправности. Если обнаружена ненормальность, проверьте Ваше устройство в соответствии с описаниями в данной инструкции. Никогда не переделывайте и не монтируйте никакие части несмотря на описание. Для выполнения ремонта обратитесь в уполномоченный центр по техобслуживанию.

Неисправность	Причина	Меры по устранению
Не запускается мотор.	Сбой в работе заливного насоса.	Нажмите от 7 до 10 раз.
	Низкая скорость вытягивания троса стартера.	Сильно потяните.
	Утечка топлива.	Подайте топливо.
	Засоренный топливный фильтр.	Очистите его.
	Отсоединенный топливопровод.	Подсоедините топливопровод надлежащим образом.
	Согнутый топливопровод.	Выпрямите топливопровод.
	Загрязненное топливо.	Загрязненное топливо затрудняет запуск. Замените на новое топливо. (Рекомендуемая замена: 1 месяц)
	Чрезмерное засасывание топлива.	Установите рычаг акселератора в среднее положение или в положение "Н" и потяните ручку стартера, пока не запустится мотор. Если мотор все еще не работает, удалите свечу зажигания, просушите электрод и заново соберите их таким образом, как они были. Затем запустите как указано.
	Отсоединен колпачок свечи.	Надежно прикрепите.
	Загрязнена свеча зажигания.	Очистите его.
	Ненормальный зазор свечи зажигания.	Отрегулируйте зазор.
	Другая ненормальность свечи зажигания.	Замените ее.
	Ненормальность в карбюраторе.	Обратитесь за проверкой и техническим обслуживанием.
Невозможно потянуть трос стартера.	Обратитесь за проверкой и техническим обслуживанием.	
Ненормальность в системе управления.	Обратитесь за проверкой и техническим обслуживанием.	

<p>Мотор вскоре останавливается Не увеличивается скорость мотора.</p>	Недостаточный прогрев.	Выполните операцию прогрева.
	Рычаг воздушной заслонки установлен на "CLOSE", хотя мотор прогрет.	Установите на "OPEN".
	Засоренный топливный фильтр.	Очистите его.
	Загрязненный или засоренный воздухоочиститель.	Очистите его.
	Ненормальность в карбюраторе.	Обратитесь за проверкой и техническим обслуживанием.
	Ненормальность в системе управления.	Обратитесь за проверкой и техническим обслуживанием.
<p>Насос не работает.</p>	Склеивание лопасти.	Для ремонта обратитесь в местный уполномоченный центр по техобслуживанию Makita.
<p>Низкий объем накачивания.</p>	Воздух попадает со стороны всасывания.	Проверьте накачивание на стороне всасывания.
	Падение мощности мотора.	Для ремонта обратитесь в местный уполномоченный центр по техобслуживанию Makita.
	Поломка механического уплотнения.	Замените уплотнитель.
	Увеличьте высоту всасывания.	Уменьшите высоту всасывания.
	Тонкий, длинный или запутанный шланг.	Увеличьте толщину, уменьшите длину или выпрямите.
	Утечка воды из водовода.	Остановите утечку.
	Засор посторонними предметами в лопасти.	Для ремонта обратитесь в местный уполномоченный центр по техобслуживанию Makita.
	Износ лопасти.	Для ремонта обратитесь в местный уполномоченный центр по техобслуживанию Makita.
<p>Насос не заливается самостоятельно.</p>	Засасывание воздуха на стороне всасывания.	Проверьте накачивание на стороне всасывания.
	Недостаточно воды для заливки внутри кожуха насоса.	Залейте полностью.
	Неполное закручивание сливного крана.	Полностью закрутите 2 заглушки.
	Неполное вращение мотора.	Для ремонта обратитесь в местный уполномоченный центр по техобслуживанию Makita.
	Попадание воздуха из механического уплотнения.	Замените уплотнитель.

Makita Corporation
3-11-8, Sumiyoshi-cho,
Anjo, Aichi 446-8502 Japan

EW1050H-23L-0412

IDE

www.makita.com