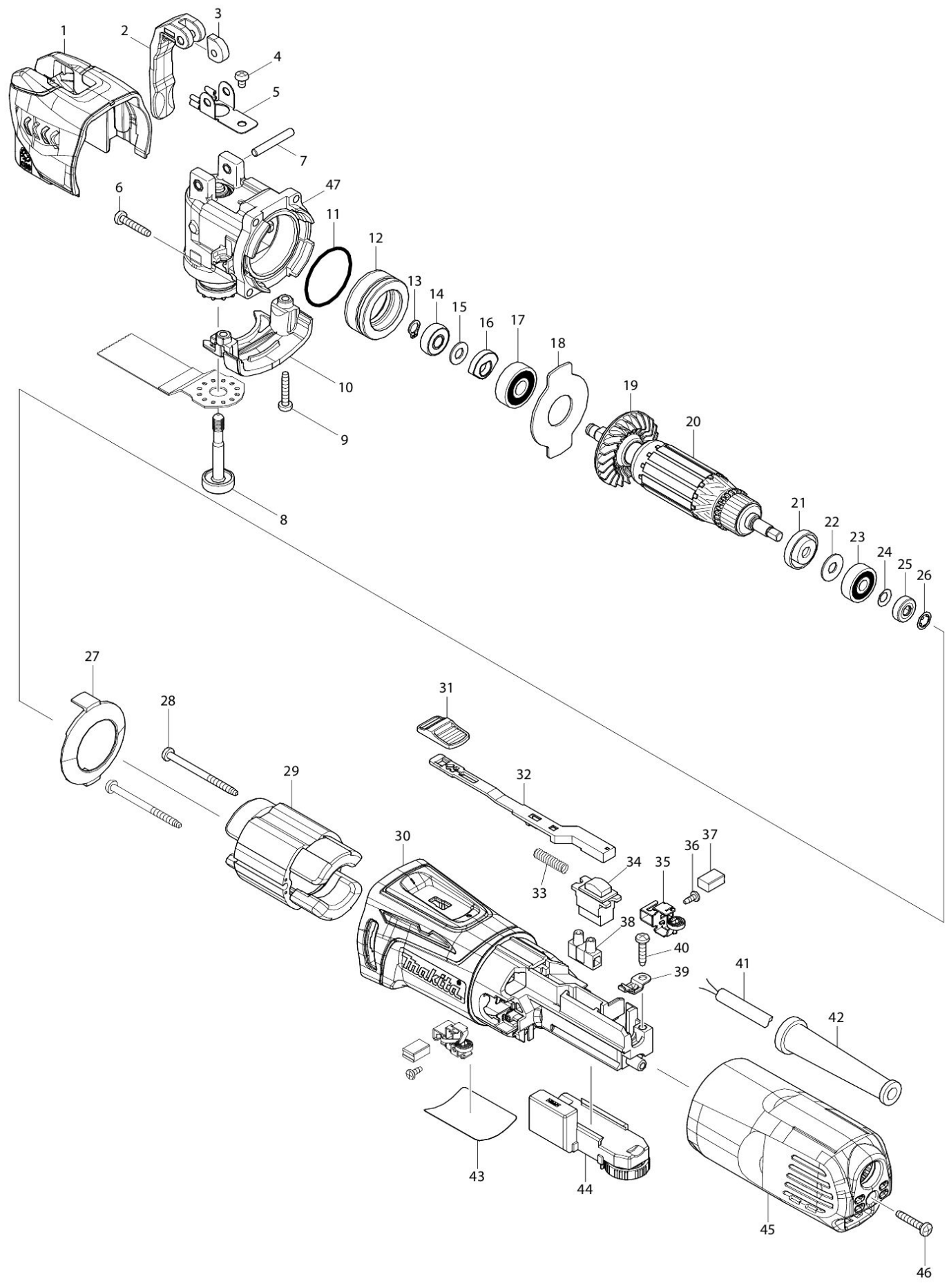


# Partdrawing for TM3010CX2J - Multitool



2013/03  
TM3010C