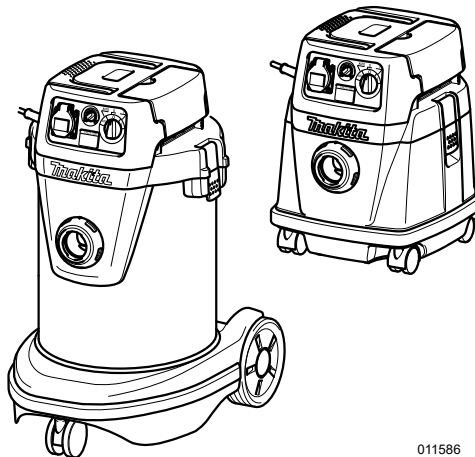




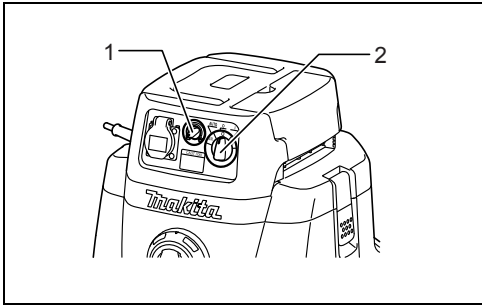
| | | |
|-----------|-------------------------|--------------------------------|
| GB | Vacuum Cleaner | Instruction manual |
| F | Aspirateur | Manuel d'instructions |
| D | Absauggerät | Betriebsanleitung |
| I | Aspiratore | Istruzioni per l'uso |
| NL | Stofzuiger | Gebruiksaanwijzing |
| E | Aspiradora | Manual de instrucciones |
| P | Aspirador de Pó | Manual de instruções |
| DK | Støvsuger | Brugsanvisning |
| GR | Ηλεκτρική σκούπα | Οδηγίες χρήσης |

VC1310L
VC2510L
VC3210L

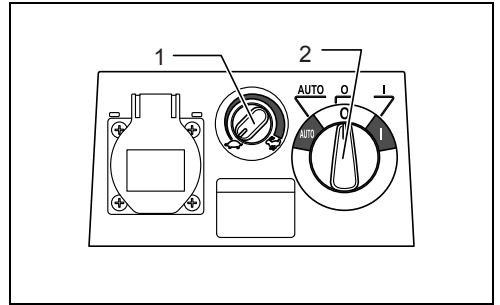


011586

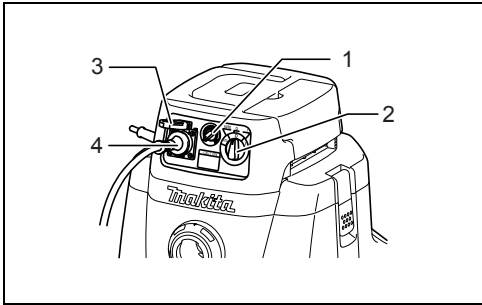




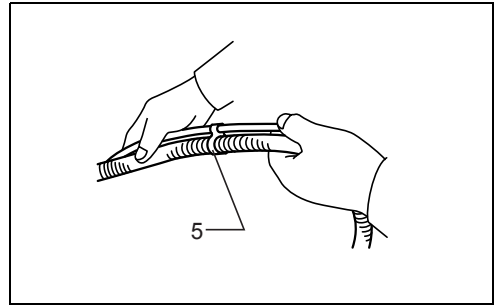
1 011593



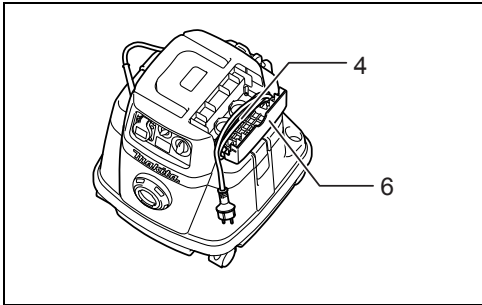
2 011594



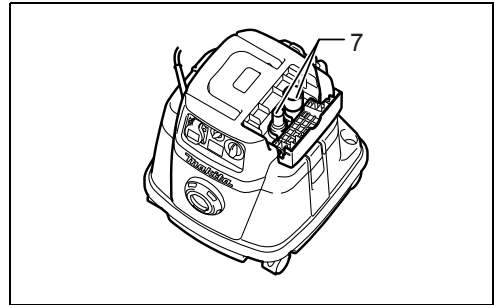
3 011595



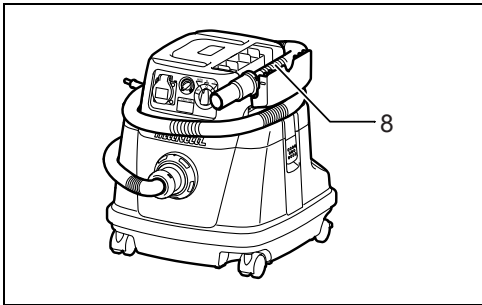
4 011609



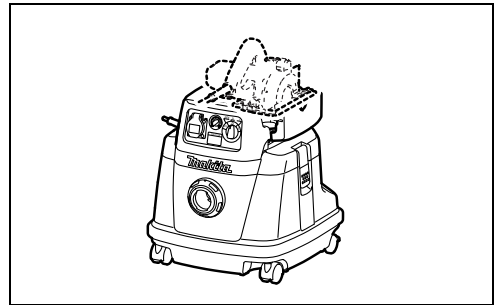
5 011597



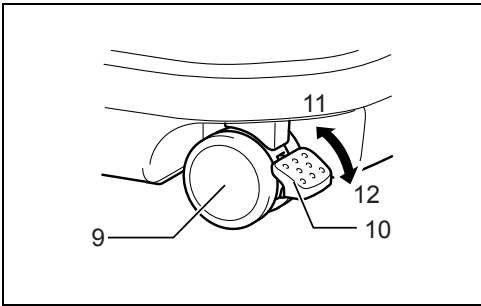
6 011598



7 011599

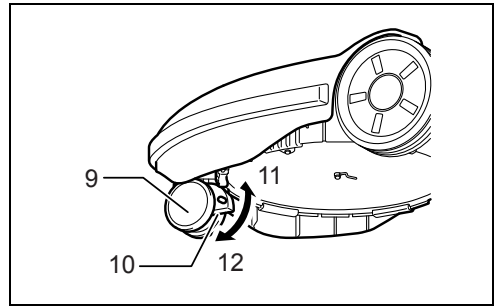


8 011645



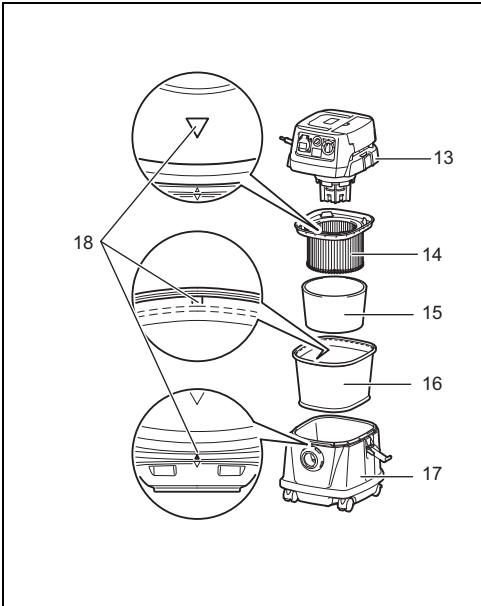
9

011611



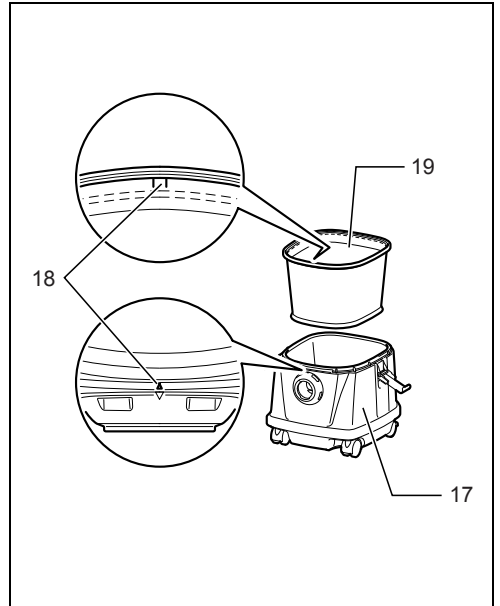
10

011615



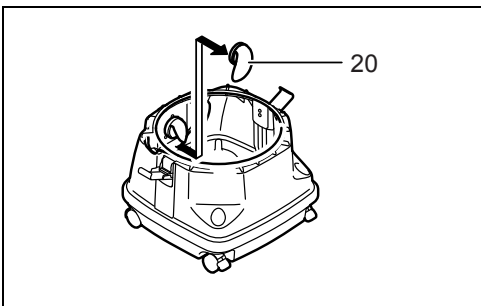
11

1207502



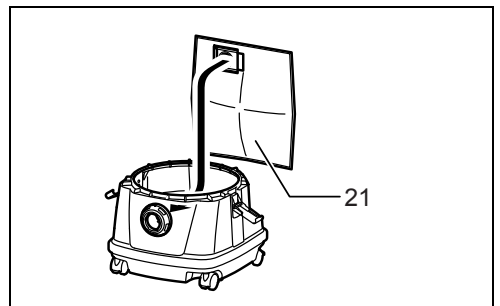
12

011630



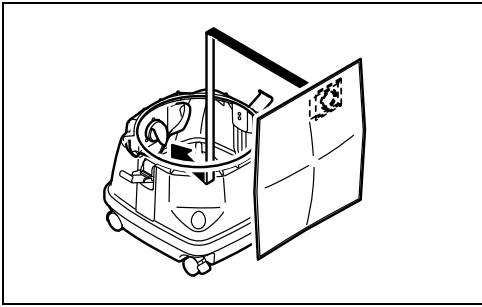
13

011638



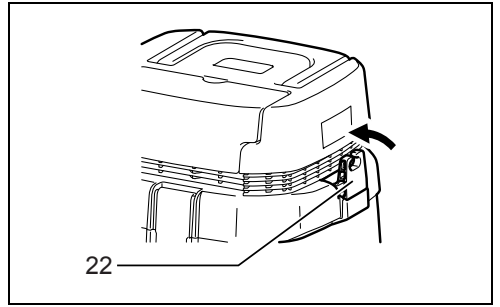
14

011588



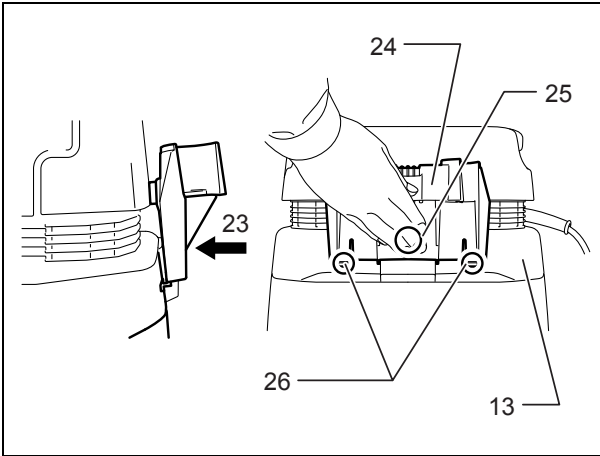
15

011589



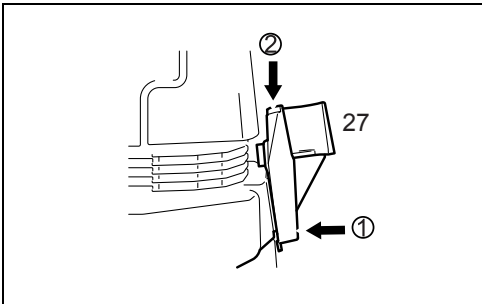
16

011604



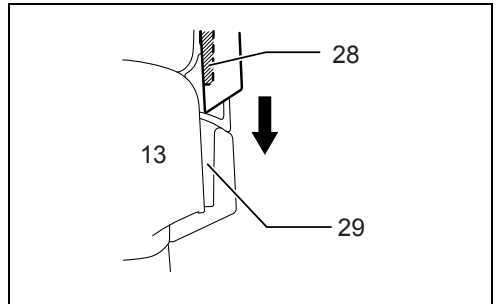
17

011605



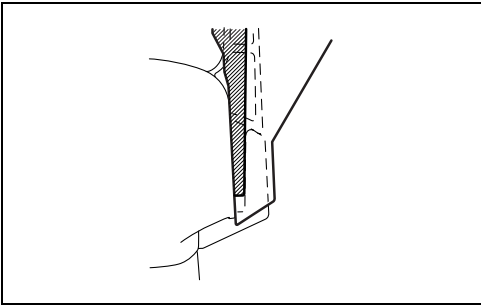
18

011606



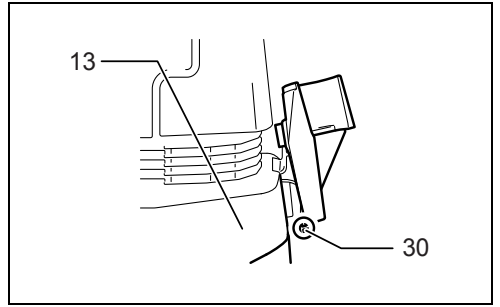
19

011607



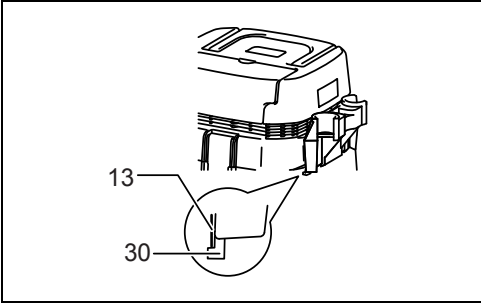
20

011608



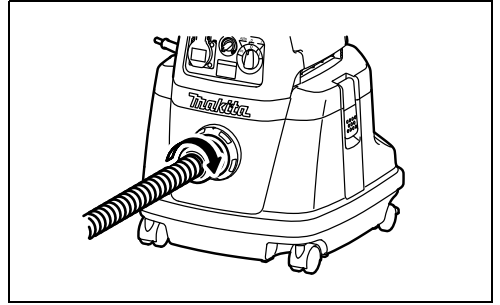
21

011631



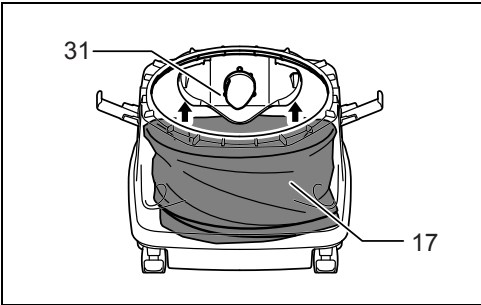
22

011632



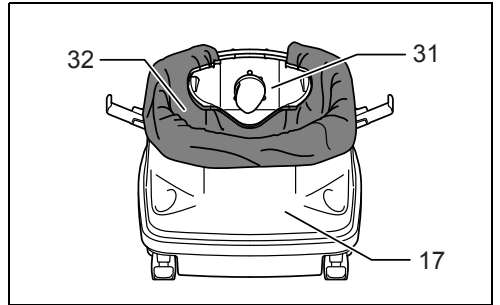
23

011590



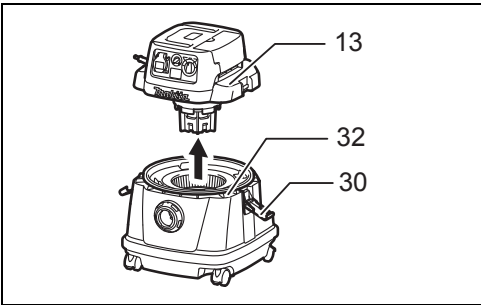
24

011591



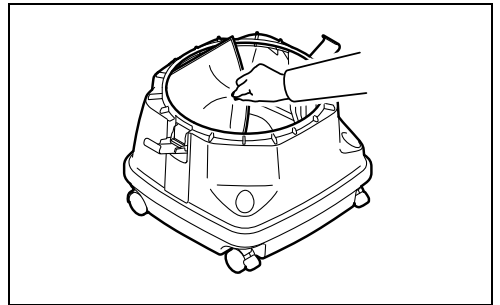
25

011592



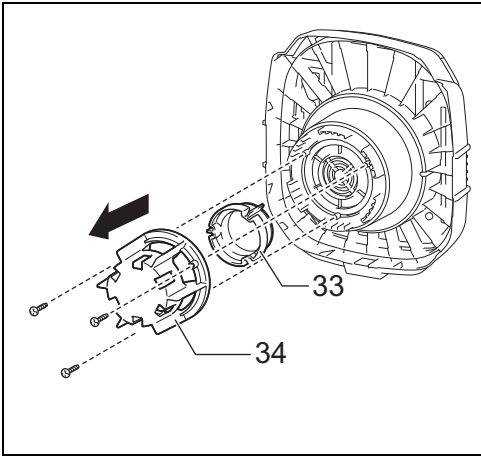
26

011600



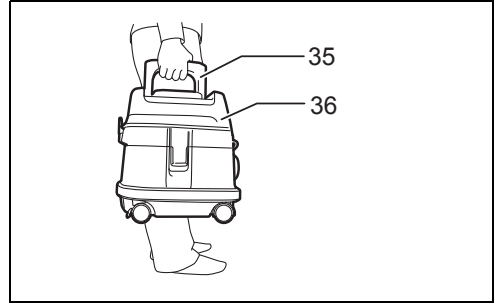
27

011602



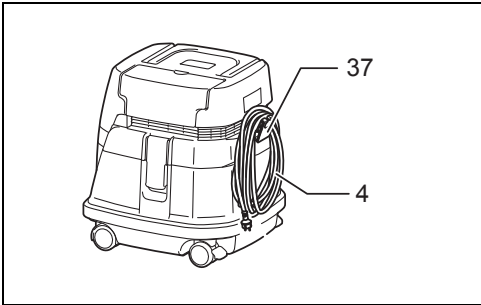
28

1207501



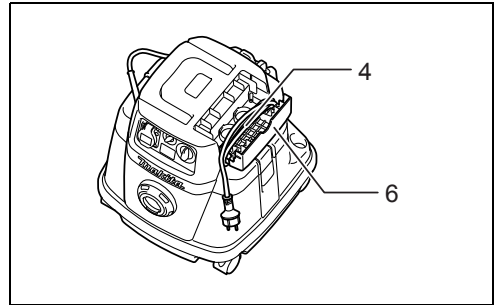
29

011610



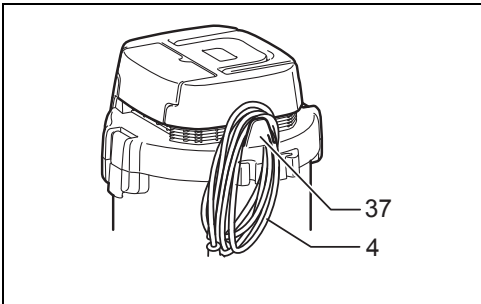
30

011633



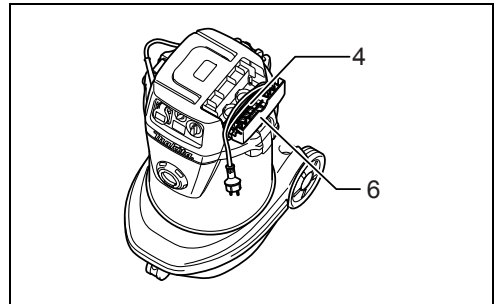
31

011597



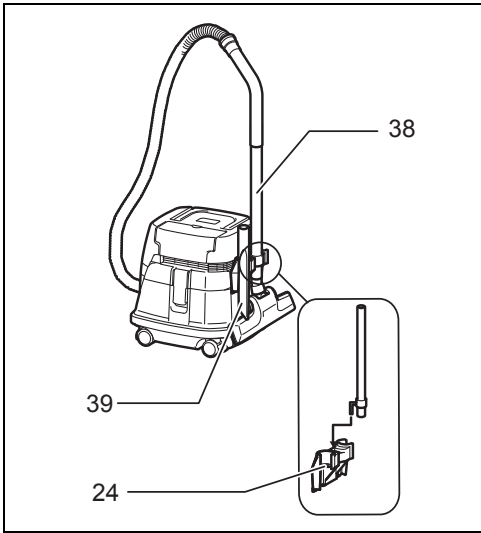
32

011635



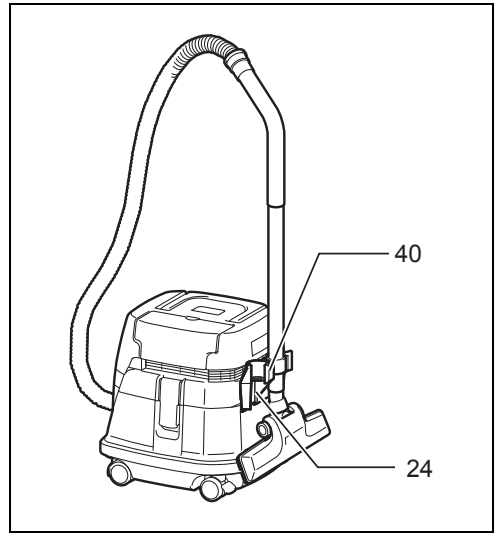
33

011634



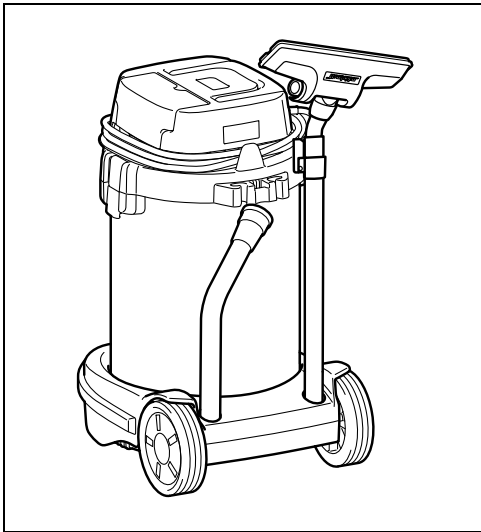
34

011612

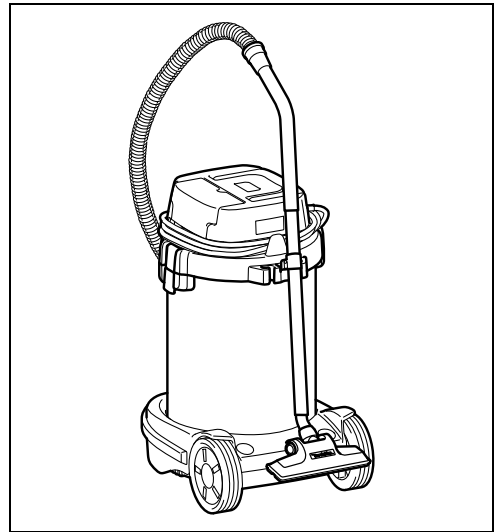


35

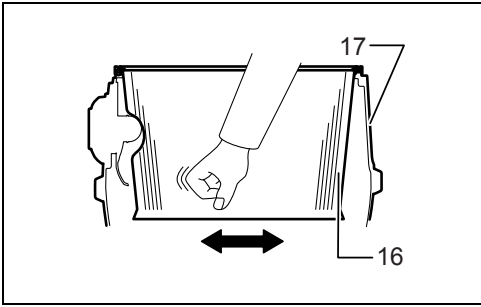
011613



011622

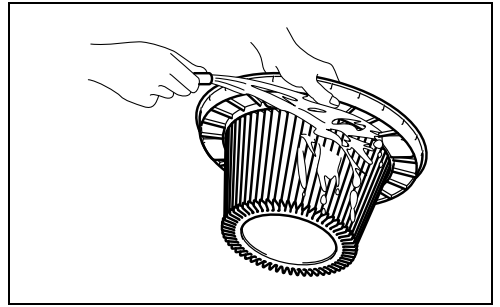


011623



38

011614



39

011601

ENGLISH (Original instructions)



WARNING

- This machine is not intended for use by persons including children with reduced physical, sensory or mental capabilities, or lack of experience and knowledge.
- Children should be supervised to ensure that they do not play with the cleaner.
- If the supply cord is damaged, it must be replaced by the authorized service facility.
- See the chapter "MAINTENANCE" for the appropriate details of precautions during user maintenance.

Explanation of general view

| | | |
|---------------------------------|-----------------------------------|----------------------|
| 1. Suction force adjusting knob | 15. Damper | 29. Groove |
| 2. Switch lever | 16. Prefilter | 30. Hook |
| 3. Cap | 17. Tank | 31. Holder plate |
| 4. Power supply cord | 18. Mounting position marking | 32. Polyethylene bag |
| 5. Holder | 19. Water filter | 33. Float |
| 6. Base hook | 20. Rubber holder | 34. Float cage |
| 7. Front cuffs | 21. Paper pack | 35. Handle |
| 8. Hose | 22. Cord hook | 36. Head |
| 9. Caster | 23. Press | 37. Cord hook |
| 10. Stopper lever | 24. Pipe holder | 38. Straight pipe |
| 11. FREE position | 25. A section | 39. Corner nozzle |
| 12. LOCK position | 26. Hooks | 40. Stopper |
| 13. Tank cover | 27. Press with a force and lower | |
| 14. Powder filter | 28. Protrusion of the pipe holder | |

SPECIFICATIONS

| Model | | VC1310L / VC2510L / VC3210L | | | | | |
|-------------------------------------|---|-----------------------------|-----------|------------|------------|-------|-----------|
| | | EU | AU/NZ | GB 110V | GB 230V | CL | AR/CH |
| Voltage | Volt | 230 - 240 | 230 - 240 | 110 | 230 - 240 | 220 | 230 - 240 |
| Power consumption | Watt | 1,050 | 1,050 | 1,050 | 1,050 | 1,050 | 1,050 |
| Connected load for appliance socket | Watt at  symbol mode | 2,400 | 1,200 | 600 | 1,900 | 2,200 | 1,100 |
| Connected load for appliance socket | Watt at  symbol mode | 2,600 | 1,400 | 850 | 2,100 | 2,500 | 1,400 |
| Total connected load | Watt | 3,450 | 2,250 | 1,650 | 2,950 | 3,250 | 2,150 |

| Model | | VC1310L | VC2510L | VC3210L |
|------------------------|-------|--------------------------|--------------------------|--------------------------|
| Volume flow (air) | | 2.0 m ³ /min | | |
| Vacuum | | 22 kPa | | |
| Protection class | | 1 | | |
| Type of protection | | IP X4 (splash-proof) | | |
| Recoverable capacity | Dust | 13L | 25L | 32L |
| | Water | 7L | 14L | 27L |
| Dimensions (L x W x H) | | 366 mm x 334 mm x 420 mm | 432 mm x 416 mm x 451 mm | 552 mm x 398 mm x 685 mm |
| Net weight | | 9.6 kg | 10.5 kg | 14.5 kg |

- Due to our continuing program of research and development, the specifications herein are subject to change without notice.
- Specifications may differ from country to country.
- The weight does not include accessories.

Symbols

END108-7

The following show the symbols used for the equipment. Be sure that you understand their meaning before use.



..... Read instruction manual.



..... Take particular care and attention.



..... Warning! The cleaner may contain hazardous dust.



..... Never stand on the cleaner.



..... Dust class L (light). The cleaners are capable of picking up dust class L. Follow your country's regulations relating to dusts and to occupational health and safety.



..... Only for EU countries

Due to the presence of hazardous components in the equipment, used electrical and electronic equipment may have a negative impact on the environment and human health. Do not dispose of electrical and electronic appliances with household waste!

In accordance with the European Directive on waste electrical and electronic equipment and its adaptation to national law, used electrical and electronic equipment should be collected separately and delivered to a separate collection point for municipal waste, operating in accordance with the environmental protection regulations. This is indicated by the symbol of the crossed-out wheeled bin placed on the equipment.

Intended use

ENE084-1

The tool is intended for collecting both wet and dry dust. The tool is suitable for commercial use, for example in hotels, schools, hospitals, factories, shops, offices and rental businesses.

Power supply

ENF001-1

The tool should be connected only to a power supply of the same voltage as indicated on the nameplate, and can only be operated on single-phase AC supply. This tool should be grounded while in use to protect the operator from electric shock. Use only three-wire extension cords which have three-prong grounding-type plugs and three-pole receptacles which accept the tool's plug.

VACUUM CLEANER SAFETY WARNINGS

ENB119-6

⚠ WARNING: IMPORTANT! READ CAREFULLY all safety warnings and all instructions BEFORE USE. Failure to follow the warnings and instructions may result in electric shock, fire and/or serious injury.

1. Before use, make sure that this cleaner must be used by people who have been adequately instructed on the use of this cleaner.
2. Before use, operators shall be provided with information, instruction and training for the use of the machine and the substances for which it is to be used, including the safe method of removal and disposal of the material collected.
3. Only use the socket outlet on the cleaner for purposes specified in the instructions.
4. If foam/liquid comes out, switch off immediately.
5. Clean the water level limiting device regularly and examine it for signs of damage.
6. Do not use the cleaner without the filter. Replace a damaged filter immediately.
7. **USE OF EXTENSION CORD.** When using an extension cord because of the great distance to your power source, try to employ a cord that is sufficiently thick but not too long, or cleaner performance will be adversely affected. For outdoor applications use an extension cord suitable for outdoor use.
8. **VOLTAGE WARNING:** Before connecting the cleaner to a power source (receptacle, outlet, etc.) be sure the voltage supplied is the same as that specified on the nameplate of the cleaner. A power source with voltage greater than that specified for the cleaner can result in **SERIOUS INJURY** to the operator as well as damage to the cleaner. If in doubt, **DO NOT PLUG IN THE CLEANER.** Using a power source with voltage less than the nameplate rating is harmful to the motor.
9. **AVOID UNINTENTIONAL STARTING.** Be sure switch is **OFF** when plugging in.
10. Do not attempt to pick up flammable materials, fire works, lighted cigarettes, hot ashes, hot metal chips, sharp materials such as razors, needles, broken glass or the like.
11. **NEVER USE THE CLEANER IN THE VICINITY OF GASOLINE, GAS, PAINT, ADHESIVES OR OTHER HIGHLY EXPLOSIVE SUBSTANCES.** The switch emits sparks when turned **ON** and **OFF**. And so does the motor commutator during operation. A dangerous explosion may result.
12. Never vacuum up toxic, carcinogenic, combustible or other hazardous materials such as asbestos, arsenic, barium, beryllium, lead, pesticides, or other health endangering materials.
13. Always place the cleaner on a horizontal flat surface to prevent it from falling or moving unintentionally.
14. Never use the cleaner outdoors in the rain.
15. For Finland, this machine is not to be used outdoors at low temperature.
16. Do not use close to heat sources (stoves, etc.).
17. If the exhaust air is returned to the room, it is necessary to provide for an adequate air change rate in the room. Reference to National regulations is necessary.
18. **GUARD AGAINST ELECTRIC SHOCK.** Prevent body contact with grounded surfaces. For example; pipes, radiators, ranges, refrigerator enclosures.

19. Do not block cooling vents. These vents permit cooling of the motor. Blockage should be carefully avoided otherwise the motor will burn out from lack of ventilation.
20. Keep proper footing and balance at all times.
21. **DO NOT ABUSE CORD.** Never carry the cleaner by cord or yank it to disconnect from receptacle. Keep cord away from heat, oil, and sharp edges. Inspect cleaner cords periodically and if damaged, have repaired by authorized service facility. Inspect extension cords periodically and replace if damaged.
22. Do not fold, tug or step on the hose.
23. Stop the cleaner immediately if you notice poor performance or anything abnormal during operation.
24. **DISCONNECT THE CLEANER.** When not in use, before servicing, and when changing accessories.
25. Clean and service the cleaner immediately after each use to keep it in tiptop operating condition.
26. **MAINTAIN THE CLEANER WITH CARE.** Keep the cleaner clean for better and safer performance. Follow instructions for changing accessories. Keep handles dry, clean, and free from oil and grease.
27. **CHECK DAMAGED PARTS.** Before further use of the cleaner, a guard or other part that is damaged should be carefully checked to determine that it will operate properly and perform its intended function. Check for alignment of moving parts, binding of moving parts, breakage of parts, mounting, and any other conditions that may affect its operation. A guard or other part that is damaged should be properly repaired or replaced by an authorized service center unless otherwise indicated elsewhere in this instruction manual. Have defective switches replaced by authorized service center. Don't use the cleaner if switch does not turn it on and off.
28. For user servicing, the machine shall be dismantled, cleaned and serviced, as far as is reasonably practicable, without causing risk to the maintenance staff and others.
29. The machine should be technically inspected by the manufacturer, or an instructed person, at least annually, consisting of, for example, inspection of filters for damage, air tightness of the machine and proper function of the control mechanism.
30. When carrying out service or repair operations, all contaminated items which cannot be satisfactorily cleaned are to be disposed of; such items shall be disposed of in impervious bags in accordance with any current regulation for the disposal of such waste.
31. **REPLACEMENT PARTS.** When servicing, use only identical replacement parts.
32. When not in use, always store the cleaner indoors.
33. Wet filters and the interior part of the liquid container shall be dried before storage.
34. Be kind to your cleaner. Rough handling can cause breakage of even the most sturdily built cleaner.
35. Do not attempt to clean the exterior or interior with benzene, thinner or cleaning chemicals. Cracks and discoloration may be caused.
36. Do not use cleaner in an enclosed space where flammable, explosive or toxic vapors are given off by oil-base paint, paint-thinner, gasoline, some mothproofing substances, etc., or in areas where flammable dust is present.
37. Do not leave the cleaner cord lying on the floor after you have finished a cleaning job. It can become a tripping hazard or may cause damage to the cleaner.
38. Do not operate the cleaner or any tool while under the influence of drugs or alcohol.
39. As a basic rule of safety, use safety goggles or safety glasses with side shields.
40. Use a dust mask in dusty work conditions.
41. This machine is not intended for use by persons including children with reduced physical, sensory or mental capabilities, or lack of experience and knowledge.
42. Children should be supervised to ensure that they do not play with the cleaner.
43. Never handle plug cord or cleaner with wet hands.
44. Use extreme caution when cleaning on stairs.
45. Do not use the cleaner as a stool or work bench. The machine may fall down and may result in personal injury.

SAVE THESE INSTRUCTIONS.

WARNING:

DO NOT let comfort or familiarity with product (gained from repeated use) replace strict adherence to safety rules for the subject product. MISUSE or failure to follow the safety rules stated in this instruction manual may cause serious personal injury.

FUNCTIONAL DESCRIPTION

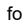

WARNING:

- Before plugging the cleaner, always make sure that the cleaner is switched off. Plugging the cleaner with the switch on may cause an unexpected start resulting in serious personal injury.

Switch action (Fig. 1)

To start the cleaner, rotate the switch lever to the "I" side. To stop it, rotate the switch lever to the "O" side.

The suction power can be adjusted according to your work need. (Fig. 2)

Suction power can be increased by turning the suction force adjusting knob from the  symbol to the  symbol.

Connecting electric power tools

WARNING:

- Observe the maximum connected loads for the appliance socket (Refer to the SPECIFICATIONS.)
- Make sure that both the cleaner and the electric power tool are switched off before connecting or disconnecting. Connecting the power tool to the cleaner with both of them being switched on may cause

unexpected and sudden start resulting serious personal injury.

When connecting a grounded tool, insert a plug with a grounding plate to the socket of the cleaner. (Fig. 3)

⚠ CAUTION:

- Never connect an electric power tool with an input power exceeding that specified in the "SPECIFICATIONS" to the socket of the cleaner by turning the suction force adjusting knob. Connecting the electric power tool exceeding the specified input power may cause overheat and damage to the cleaner. Refer to the specifications to avoid this.

The cleaner can be connected to an electric power tool up to input power shown in the "SPECIFICATIONS".

To connect an electric power tool, open the cap and insert the power tool plug into the socket of the cleaner.

Rotate the switch lever to the "AUTO" position. (Fig. 2)

Move the suction force adjusting knob to the position suitable for the input power of the electric power tool you intend to use. Refer to the SPECIFICATIONS for the relation between suction force adjusting knob and the electric power tool input power.

Switching on and off of the connected electric power tool simultaneously brings the cleaner switching on and off action. The cleaner still works for a few seconds even after the electric power tool is switched off.

After use, disconnect the power tool from the socket of cleaner.

Switch off the cleaner after use.

Auto-suction stop during suction operation

⚠ WARNING:

- **Do not use for a long time while the float is at work.** Using the cleaner with its float at work for a long time can cause overheat, resulting in the cleaner deformation.
- **Do not pick up foam or soapy liquid.** Picking up foam or soapy liquid can cause foam to come out of air exit before the float works. Continuing to using in this condition may cause an electric shock and breakage of the cleaner.

The cleaner has a float mechanism that prevents water from immersing into the motor when picking up more than a certain amount of water.

When the tank is full and the cleaner no longer picks up water, switch off the cleaner and empty the tank.

Installing the holder (Fig. 4)

When connecting an electric power tool, secure the power supply cord and hose using the holders at a 70 cm - 80 cm distance among the holders that are provided with the cleaner so that the hose is not entangled by the power supply cord.

Usage of base hook

⚠ CAUTION:

- **Be careful not to pinch your fingers when closing the base hook.** Failure to do so may cause personal injury.

NOTE:

- Do not apply an excessive force on the base hook. The excessive force on the base hook may damage the base hook. Close the base hook when not in use. Opening the base hook allows the following usage.

Storing the power supply cord

NOTE:

- **Do not use the cleaner or a connected electric power tool with a power supply cord wound on the base hook.** Using the cleaner or the connected electric power tool with power supply cord may cause damage to the power supply cord. (Fig. 5)

Storing the front cuffs

Front cuffs 22, 24 and 38 can be stored (up to two at a time.) (Fig. 6)

Storing the hose (Fig. 7)

Resting a reasonable size of electric power tool for the base hook, such as circular saw. (Fig. 8)

Locking or unlocking the caster

For Models VC1310L and VC2510L (Fig. 9)

For Model VC3210L (Fig. 10)

To lock the caster with a stopper, lower the stopper lever and the caster no longer will rotate. To release the caster from the locked position, raise the stopper lever.

Locking the caster is convenient when storing the cleaner, stopping the work on the way and keeping the cleaner still.

To operate the stopper, move it by hand.

NOTE:

- When moving the cleaner, make sure that the caster is unlocked. Moving the cleaner with the caster in the locked position may cause damage to the caster.

ASSEMBLY

⚠ CAUTION:

- Always be sure that the cleaner is switched off and unplugged before carrying out any work on the cleaner.
- Always wear dust mask during assembly or maintenance.

Installing the water filter (Fig. 11)

To pick up water or wet dust, remove prefilter and damper and then use water filter.

When installing the water filter on the tank, set it tight at the opening of the tank so that the hook of the water filter engages the tank opening firmly and there is no space between the water filter and the tank. (Fig. 12)

Also, install the water filter so that the mounting position marking can be aligned.

NOTE:

- Models VC2510L and VC3210L have no mounting position marking and no need to align it.

Installing the paper pack

⚠ WARNING:

- When using the paper pack, also use the prefilter together that is preinstalled on the tool. Failure to use the prefilter together may cause unusual noise and heat, resulting in a fire.

⚠ CAUTION:

- Never pick up water or other liquids or wet dusts when using the paper pack. Picking up such things may cause the paper pack breakage.
1. Remove the rubber holder. (Fig. 13)
 2. Extend the paper pack.
 3. Align the paper pack opening with the dust suction opening of the cleaner. (Fig. 14 & 15)
 4. Insert the cardboard of the paper pack onto the too so that it is positioned at the end beyond the detent protrusion.

Installing the pipe holder (optional accessory)

For Model VC1310L only

Depress the cord hook as shown in the figure. (Fig. 16) Attach the pipe holder onto the cord hook. (The hooks are away from the tank cover.)

Raise the pipe holder as far as the hooks contact the tank cover and press the A section of the pipe holder. (Fig. 17)

Press the A section with a great force and with the A section so pressed lower the pipe holder. (Fig. 18)

Fit two protrusion of the pipe holder into the grooves of the tank cover and then press down the pipe holder. (Fig. 19 & 20)

NOTE:

- The pipe holder that is excessively lowered than the intended position cannot be installed on the cord hook with the hook away from the tank cover as shown in the figure. (Fig. 21)

NOTE:

- Make sure that the two hooks of the pipe holder are hooked on the tank cover securely. (Fig. 22)

Connecting a hose

⚠ CAUTION:

- Never force the hose for bending or stamp it. Never move the cleaner by a hose. Forcing, stamping and pulling the hose may cause a breakage or deformation of the hose.
- When picking up large wastes such as planer carvings, concrete dusts or similars other than small wastes, use the 38 mm inner diameter hose (optional accessory). Using the 28 mm inner diameter hose may cause a hose stuffing and damage.

Insert the hose onto the mounting port of the tank and turn it clockwise until it locks. (Fig. 23)

Installing polyethylene bag

Cleaner can also be used without polyethylene bag. However, using polyethylene bag is easier to empty the tank without letting your hands dirty.

Spread the polyethylene bag in the tank. Insert it between the holder plate and the tank, and pull it to the hose inlet. (Fig. 24)

(Fig. 24)

Spread the bag around the top of the tank.

Hook up the other side of the bag around the top of the tank so that the prefilter hook can catch and hold it securely. (Fig. 25)

NOTE:

- A polyethylene bag available on the market can be used. The 0.04 mm or thicker one is recommended.
- Too much dust will tear the bag easily, so do not collect the dust more than the half of the bag capacity.

Emptying the polyethylene bag

⚠ WARNING:

- Always make sure that the cleaner is switched off and unplugged before emptying the polyethylene bag. Failure to do so may cause an electric shock and serious personal injury.

⚠ CAUTION:

- Do not apply a great impact on the powder filter and tank. Applying a great impact may cause deformation and damage to powder filter and tank.
- Empty the tank at least once a day although this depends on picked-up dust volume in the tank. Or, the suction force will weaken and the motor may be broken.
- Do not grab the hook when emptying the tank. Grabbing the hook may cause the hook to break.

Unhook and lift up the tank cover. (Fig. 26)

Shake off the dust from powder filter, damper and prefilter and then take the polyethylene bag out of the tank. (Fig. 27)

NOTE:

- Take the polyethylene bag carefully out of the tank so that the polyethylene bag cannot be caught and torn by the protrusion inside the tank when emptying it.
- Empty the polyethylene bag before it becomes full. Too much dust in the tank may cause the polyethylene bag to be torn.

Installing powder filter (for dry dust) (Fig. 11)

Place the prefilter in the tank.

Next, mount the damper on the powder filter and then place it in the prefilter.

When installing powder filter and prefilter, the mounting position marking on each of them are aligned with that one at the top of the tank.

Finally, mount the tank cover.

NOTE:

- Models VC2510L and VC3210L have no mounting position marking and no need to align it.
- Before using the powder filter, make sure that prefilter and damper are always used together. It is not allowed to install powder filter solely.
- Before using the paper pack, make sure that powder filter, damper and prefilter are always used together.

Installing the powder filter (HEPA)

Optional accessory, available only for models

VC2510L and VC3210L (Fig. 28)

To use powder filter (HEPA), remove the float cage and float by removing the bolts. Then follow the procedure of the section "Installing powder filter (for dry dust)".

Carrying the cleaner (Fig. 29)

When carrying the cleaner, carry it by holding the handle on the head as shown in the figure. The handle is retractable at the head when not in use.

MAINTENANCE

CAUTION:

- Always be sure that the tool is switched off and unplugged before attempting to perform inspection or maintenance.

Storage of power supply cord

For Model VC1310L only (Fig. 30 & 31)

Pull out the cord hook or open the base hook. Wind up the power supply cord and hang it on the cord hook or wind it around the base hook.

NOTE:

- Do not force the power supply cord off the cord hook when trying to disconnect it from there. Forcing power supply cord to disconnect from the cord hook may cause damage to the cord.

For Models VC2510L and VC3210L (Fig. 32 & 33)

Wind up the power supply cord around the base hook.

Storage of accessories

NOTE:

- Do not apply an excessive force to the accessories that are held by the pipe holder. Applying an excessive force to these accessories may cause damage to the pipe holder.

For Model VC1310L only (Fig. 34)

Pipe holder can be used to store straight pipe, bent pipe, corner nozzle and similars by just inserting these accessories.

The pipes can be placed into the pipe holder when also stopping using the cleaner on the way for a while.

(Fig. 35)

For Models VC2510L and VC3210L (Fig. 36)

Pipe rest can be used to store straight pipe, bent pipe and others by just inserting these accessories. (Fig. 37)

The pipes can be placed into the pipe holder when also stopping using the cleaner on the way for a while.

Cleaning

CAUTION:

- Never use gasoline, benzine, thinner, alcohol or the like. Discoloration, deformation or cracks may result. Clogged powder filter, prefilter and damper cause poor suction performance. (Fig. 38)

Clean out the filters and dampers from time to time.

To remove dust or particles adhering to the filters, shake the frame bottom quickly several times.

Occasionally wash the powder filter in water, rinse and dry thoroughly in the shade before use. Never wash filters in a washing machine. (Fig. 39)

NOTE:

- Do not rub and scratch the powder filter, the prefilter or the damper with hard objects such as a brush and a paddle.
- The filters are consumable and are recommended to have some spares for them.

To maintain product SAFETY and RELIABILITY, repairs, any other maintenance or adjustment should be performed by Makita Authorized Service Centers, always using Makita replacement parts.

OPTIONAL ACCESSORIES

CAUTION:

- These accessories or attachments are recommended for use with your Makita tool specified in this manual. The use of any other accessories or attachments might present a risk of injury to persons. Only use accessory or attachment for its stated purpose.

If you need any assistance for more details regarding these accessories, ask your local Makita Service Center.

- Hose
- Front cuffs (22, 24, 38)
- Straight pipe
- Corner nozzle
- Round brush
- Powder filter (For dry type)
- Damper
- Prefilter
- Nozzle assembly
- Bent pipe
- Polyethylene bag
- Filter (For water)
- Paper pack
- Holder set
- Pipe holder (for Model VC1310L only)
- Powder filter (HEPA) (For Models VC2510L and VC3210L)

NOTE:

- Some items in the list may be included in the tool package as standard accessories. They may differ from country to country.

Noise

ENG905-1

The typical A-weighted noise level determined according to IEC60335-2-69:

Model VC1310L

Sound pressure level (L_{pA}): 72 dB (A)

Uncertainty (K): 2.5 dB (A)

The noise level under working may exceed 80 dB (A).

Model VC2510L, VC3210L

Sound pressure level (L_{pA}): 73 dB (A)

Uncertainty (K): 2.5 dB (A)

The noise level under working may exceed 80 dB (A).

Wear ear protection.

Vibration

ENG900-1

The vibration total value (tri-axial vector sum) determined according to IEC60335-2-69:

The vibration emission value is below 2.5 m/s².

EC Declaration of Conformity

For European countries only

The EC declaration of conformity is included as Annex A to this instruction manual.

FRANÇAIS (Instructions d'origine)



AVERTISSEMENT

- Cette machine n'est pas destinée à être utilisée par des personnes (y compris les enfants) aux facultés physiques, sensorielles ou mentales diminuées ou sans expérience ni expertise.
- Les enfants doivent être sous la surveillance d'un adulte afin de s'assurer qu'ils ne jouent pas avec l'aspirateur.
- Si le cordon d'alimentation est endommagé, vous devez le confier pour réparation à un centre de service agréé.
- Voir le chapitre « ENTRETIEN » pour des précautions détaillées pendant l'entretien à la charge de l'utilisateur.

Descriptif

- | | | |
|---|--------------------------------------|------------------------------------|
| 1. Bouton de réglage de la puissance d'aspiration | 14. Filtre à poudre | 28. Renflement du support du tuyau |
| 2. Levier de l'interrupteur | 15. Humidificateur | 29. Rainure |
| 3. Cache | 16. Préfiltre | 30. Crochet |
| 4. Cordon d'alimentation | 17. Réservoir | 31. Plaque de support |
| 5. Support | 18. Repère de la position de montage | 32. Sac en polyéthylène |
| 6. Compartiment de base | 19. Filtre à eau | 33. Flotteur |
| 7. Manchons avant | 20. Support en caoutchouc | 34. Cage du flotteur |
| 8. Tuyau | 21. Sac en papier | 35. Poignée |
| 9. Roulette | 22. Crochet du cordon | 36. Chapeau |
| 10. Levier de butée | 23. Appuyez | 37. Crochet du cordon |
| 11. Position déverrouillée | 24. Support du tuyau | 38. Tuyau droit |
| 12. Position verrouillée | 25. Section A | 39. Embout d'angle |
| 13. Couvercle du réservoir | 26. Fermoirs | 40. Butée |
| | 27. Appuyez fortement puis abaissez | |

SPÉCIFICATIONS

| Modèle | | VC1310L / VC2510L / VC3210L | | | | | |
|---|--|-----------------------------|-----------|---------|-----------|-------|-----------|
| | | EU | AU/NZ | GB 110V | GB 230V | CL | AR/CH |
| Tension | Volt | 230 - 240 | 230 - 240 | 110 | 230 - 240 | 220 | 230 - 240 |
| Consommation électrique | Watt | 1 050 | 1 050 | 1 050 | 1 050 | 1 050 | 1 050 |
| Puissance raccordée pour la prise de l'appareil | Watt en mode  | 2 400 | 1 200 | 600 | 1 900 | 2 200 | 1 100 |
| Puissance raccordée pour la prise de l'appareil | Watt en mode  | 2 600 | 1 400 | 850 | 2 100 | 2 500 | 1 400 |
| Puissance raccordée totale | Watt | 3 450 | 2 250 | 1 650 | 2 950 | 3 250 | 2 150 |

| Modèle | | VC1310L | VC2510L | VC3210L |
|------------------------|-----------|---------------------------------|--------------------------|--------------------------|
| Débit du volume (air) | | 2,0 m ³ /min | | |
| Vide | | 22 kPa | | |
| Classe de protection | | 1 | | |
| Type de protection | | IP X4 (étanche aux projections) | | |
| Capacité récupérable | Poussière | 13 L | 25 L | 32 L |
| | Eau | 7 L | 14 L | 27 L |
| Dimensions (L x P x H) | | 366 mm x 334 mm x 420 mm | 432 mm x 416 mm x 451 mm | 552 mm x 398 mm x 685 mm |
| Poids net | | 9,6 kg | 10,5 kg | 14,5 kg |

- Étant donné l'évolution constante de notre programme de recherche et de développement, les spécifications contenues dans ce manuel sont sujettes à des modifications sans préavis.
- Les spécifications peuvent varier suivant les pays.
- Le poids ne comprend pas les accessoires.

Symboles

END108-7

Les symboles utilisés pour l'appareil sont indiqués ci-dessous. Assurez-vous d'avoir bien compris leur signification avant d'utiliser l'appareil.



..... Reportez-vous au manuel d'instructions.



..... Veuillez être prudent et rester attentif.



..... Avertissement ! L'aspirateur peut renfermer des poussières dangereuses.



..... Ne vous tenez jamais debout sur l'aspirateur.



..... Catégorie de poussière L (légère). Un aspirateur est capable de ramasser les poussières de catégorie L. Suivez les réglementations de votre pays concernant les poussières et la santé et la sécurité au travail.



..... Pour les pays de l'Union européenne uniquement
En raison de la présence de composants dangereux dans l'équipement, les équipements électriques et électroniques usagés peuvent avoir un impact négatif sur l'environnement et la santé humaine. Ne jetez pas les appareils électriques et électroniques avec les ordures ménagères !
Conformément à la directive européenne relative aux déchets d'équipements électriques et électroniques et à son adaptation à la législation nationale, les équipements électriques et électroniques usagés doivent être collectés séparément et déposés dans un point de collecte distinct pour déchets urbains, conformément aux réglementations en matière de protection de l'environnement.
Cela est indiqué par le symbole de la poubelle à roulettes barrée sur l'équipement.

Utilisations

ENE084-1

Cet appareil est destiné à recueillir les poussières humides et sèches. L'outil est destiné à une utilisation commerciale, notamment dans les hôtels, les écoles, les hôpitaux, les usines, les magasins, les bureaux et les agences de location.

Alimentation

ENF001-1

L'appareil ne doit être raccordé qu'à une alimentation de la même tension que celle figurant sur la plaque signalétique, et il ne peut fonctionner que sur un courant secteur monophasé. Cet appareil doit être mis à la terre lors de son fonctionnement afin de protéger l'opérateur contre les chocs électriques. Utilisez uniquement des rallonges à trois fils munies de fiches de mise à la terre à trois broches et de prises d'alimentation tripolaires compatibles avec la fiche de l'appareil.

CONSIGNES DE SÉCURITÉ CONCERNANT L'ASPIRATEUR

ENB119-6



AVERTISSEMENT : IMPORTANT ! LIRE ATTENTIVEMENT toutes les consignes de sécurité et toutes les instructions AVANT UTILISATION. Le non-respect des avertissements et des instructions peut entraîner une électrocution, un incendie et/ou de graves blessures.

1. **Avant l'utilisation, veillez à ce que l'aspirateur soit utilisé par des personnes ayant reçu des instructions adéquates quant à son utilisation.**
2. **Avant toute utilisation, les opérateurs doivent recevoir les informations, les instructions et la formation nécessaires à l'utilisation de la machine et sur les substances pour lesquelles elle est utilisée, notamment la méthode sûre pour retirer et jeter les matières collectées.**
3. **Utilisez la prise de courant située sur l'aspirateur uniquement aux fins spécifiées dans les instructions.**
4. **Si de la mousse ou un liquide sort, éteignez-le immédiatement.**
5. **Nettoyez régulièrement le dispositif limitant le niveau d'eau et vérifiez qu'il ne présente pas de signes de dommage.**
6. **N'utilisez pas l'aspirateur sans le filtre. Remplacez immédiatement le filtre s'il est endommagé.**
7. **UTILISATION D'UNE RALLONGE.** Lorsque vous utilisez une rallonge en raison de l'éloignement de votre source d'alimentation, essayez d'employer un cordon qui est suffisamment épais mais pas trop long sous peine d'affecter négativement les performances de l'aspirateur. En cas d'utilisation à l'extérieur, utilisez une rallonge convenant pour l'utilisation à l'air libre.
8. **AVERTISSEMENT DE TENSION :** Avant de connecter l'aspirateur à une source d'alimentation (fiche femelle, prise, etc.), vérifiez que la tension fournie est la même que celle indiquée sur la plaque signalétique de l'aspirateur. Une source d'alimentation avec une tension supérieure à celle spécifiée pour l'aspirateur peut **BLESSER GRAVEMENT** l'opérateur ainsi qu'endommager l'aspirateur. En cas de doute, **NE BRANCHEZ PAS L'ASPIRATEUR.** L'utilisation d'une source d'alimentation avec une tension inférieure à celle sur la plaque signalétique est dangereuse pour le moteur.
9. **ÉVITEZ LES DÉMARRAGES INTEMPESTIFS.** Veillez à mettre l'outil hors tension lors du branchement.
10. **N'essayez pas d'aspirer des matériaux inflammables, du matériel pyrotechnique, des cigarettes allumées, des cendres chaudes, des copeaux de métal chauds, des matériaux tranchants comme un rasoir, des aiguilles, des morceaux de verre, etc.**
11. **N'UTILISEZ JAMAIS L'ASPIRATEUR À PROXIMITÉ D'ESSENCE, GAZ, PEINTURE, ADHÉSIFS OU AUTRES SUBSTANCES TRÈS EXPLOSIVES.** L'interrupteur émet des étincelles à la mise sous et hors tension. Tout comme le commutateur du

- moteur pendant le fonctionnement. Une dangereuse explosion peut survenir.
12. N'aspirez jamais des matériaux toxiques, cancérigènes, combustibles ou d'autres produits dangereux comme l'amiante, l'arsenic, le baryum, le béryllium, le plomb, les pesticides ou d'autres matières présentant un danger pour la santé.
 13. Placez toujours l'aspirateur sur une surface plane et horizontale afin d'empêcher sa chute ou son déplacement accidentel.
 14. N'utilisez jamais l'aspirateur à l'extérieur sous la pluie.
 15. Pour la Finlande, cette machine ne doit pas être utilisée à l'extérieur à basse température.
 16. N'utilisez pas l'aspirateur près de sources de chaleur (cuisinières, etc.).
 17. Si l'air évacué est ramené dans la pièce, il est nécessaire de prévoir un taux de renouvellement d'air adéquat dans la pièce. Il est nécessaire de consulter les réglementations nationales.
 18. **MESURES DE PRÉVENTION CONTRE L'ÉLECTROCUTION.** Évitez tout contact physique avec des surfaces mises à la terre. Par exemple : tuyaux, radiateurs, cuisinières, réfrigérateurs.
 19. Ne bloquez pas les fentes d'aération. Ces fentes permettent le refroidissement du moteur. Il faut éviter soigneusement de les bloquer sous peine de griller le moteur en raison d'un manque d'aération.
 20. Maintenez constamment une bonne assise et un bon équilibre.
 21. **NE MALTRAITEZ PAS LE CORDON D'ALIMENTATION.** Ne transportez jamais l'aspirateur par le cordon, et pour le débrancher de la fiche femelle, ne tirez pas sur le cordon. Tenez le cordon à l'écart de la chaleur, de l'huile et de bords tranchants. Inspectez régulièrement les cordons de l'aspirateur et s'ils sont endommagés, confiez leur réparation à un centre de service après-vente agréé. Inspectez les rallonges périodiquement et remplacez-les si elles sont détériorées.
 22. Ne pliez pas le tuyau, ni ne tirez ou marchez dessus.
 23. Arrêtez immédiatement l'aspirateur si vous remarquez des performances médiocres ou toute autre anomalie pendant le fonctionnement.
 24. **DÉBRANCHEZ L'ASPIRATEUR.** Lorsque vous n'utilisez pas l'aspirateur, avant de le réparer et lors du remplacement des accessoires.
 25. Procédez au nettoyage et à l'entretien de l'aspirateur immédiatement après chaque utilisation pour le maintenir dans des conditions de fonctionnement optimales.
 26. **ENTRETIENEZ SOIGNEUSEMENT L'ASPIRATEUR.** L'aspirateur doit toujours être propre pour améliorer la sécurité et les performances. Suivez les instructions pour remplacer les accessoires. Les poignées doivent toujours être sèches, propres et exemptes d'huile ou de graisse.
 27. **VÉRIFIEZ LES PIÈCES ENDOMMAGÉES.** Avant toute nouvelle utilisation de l'aspirateur, vérifiez soigneusement un carter de protection ou toute autre pièce endommagés pour déterminer qu'ils fonctionnent bien et remplissent leurs fonctions respectives. Vérifiez l'alignement des pièces mobiles, le blocage des pièces mobiles, les pièces cassées, l'installation et tout autre état susceptible d'affecter le fonctionnement. Un carter de protection ou toute autre pièce endommagés doivent être réparés ou remplacés correctement par un centre de service après-vente agréé sauf indication contraire de ce mode d'emploi. Confiez le remplacement des interrupteurs défectueux à un centre de service après-vente agréé. N'utilisez pas l'aspirateur s'il ne peut pas être mis sous et hors tension au moyen de l'interrupteur.
 28. Pour le dépannage utilisateur, la machine doit être démontée, nettoyée et dépannée, autant que raisonnablement possible, sans mettre en danger le personnel de maintenance et d'autres personnes.
 29. La machine doit être inspectée sur le plan technique par le fabricant ou une personne formée, au moins une fois par an, et cette inspection doit comprendre, entre autres, la vérification des dommages des filtres, de l'étanchéité à l'air de la machine et du bon fonctionnement du mécanisme de contrôle.
 30. Lors des tâches d'entretien ou de réparation, tous les éléments contaminés ne pouvant être nettoyés de manière satisfaisante doivent être mis au rebut. Ces éléments doivent être jetés dans des sacs étanches conformément aux réglementations actuelles en matière de mise au rebut de ce type de déchets.
 31. **PIÈCES DE RECHANGE.** En cas de réparation, utilisez uniquement des pièces de rechange identiques.
 32. **RANGÉZ L'ASPIRATEUR APRÈS UTILISATION.** Lorsque vous n'utilisez pas l'aspirateur, rangez-le à l'intérieur.
 33. Les filtres humides et la partie intérieure du récipient de liquide doivent être séchés avant rangement.
 34. Épargnez votre aspirateur. Une manipulation brutale peut entraîner la rupture de l'aspirateur le plus robuste.
 35. Ne nettoyez pas l'extérieur ou l'intérieur avec du benzène, du diluant ou d'autres produits chimiques de nettoyage. Vous risqueriez de le fissurer ou de le décolorer.
 36. N'utilisez pas l'aspirateur dans un endroit fermé où des vapeurs inflammables, explosives ou toxiques sont dégagées par de la peinture à base d'huile, du diluant pour peinture, de l'essence, certains produits antimites, etc., ou dans des endroits exposés à des poussières inflammables.
 37. Ne laissez pas le cordon de l'aspirateur à même le sol après avoir terminé d'aspirer. Il pourrait faire trébucher quelqu'un ou endommager l'aspirateur.
 38. N'utilisez pas cet outil ou tout autre sous l'emprise de drogues, de médicaments ou d'alcool.
 39. Par mesure de sécurité, utilisez des lunettes à coques ou des lunettes de sécurité avec écrans latéraux.

40. Utilisez un masque anti-poussière dans des conditions de travail poussiéreuses.
41. Cette machine n'est pas destinée à être utilisée par des personnes (y compris les enfants) aux facultés physiques, sensorielles ou mentales diminuées ou sans expérience ni expertise.
42. Les enfants doivent être sous la surveillance d'un adulte afin de s'assurer qu'ils ne jouent pas avec l'aspirateur.
43. Ne manipulez jamais la fiche de cordon ou l'aspirateur avec les mains mouillées.
44. Redoublez de précaution lorsque vous nettoyez des escaliers.
45. N'utilisez pas l'aspirateur comme marchepied ou établi. La machine pourrait tomber et provoquer des blessures corporelles.

CONSERVEZ CES INSTRUCTIONS.

⚠ AVERTISSEMENT :
NE vous laissez PAS tromper (au fil d'une utilisation répétée) par un sentiment d'aisance et de familiarité avec le produit, en négligeant le respect rigoureux des consignes de sécurité qui accompagnent le produit en question. La MAUVAISE UTILISATION de l'outil ou l'ignorance des consignes de sécurité indiquées dans ce mode d'emploi peut entraîner de graves blessures.

DESCRIPTION DU FONCTIONNEMENT

⚠ AVERTISSEMENT :
 • **Avant de brancher l'aspirateur, assurez-vous toujours qu'il est éteint.** Le fait de brancher l'aspirateur alors que l'interrupteur est en position de marche risque de provoquer le démarrage involontaire de l'appareil et d'entraîner de graves blessures corporelles.

Interrupteur (Fig. 1)

Pour démarrer l'aspirateur, tournez le levier de l'interrupteur en position « I ». Pour l'éteindre, tournez le levier de l'interrupteur en position « O ».
 Vous pouvez régler la puissance de l'aspiration en fonction de vos besoins. (Fig. 2)
 Vous pouvez augmenter la puissance de l'aspiration en tournant le bouton de réglage correspondant depuis le symbole ↶ vers le symbole ↷.

Branchement d'appareils électriques

⚠ AVERTISSEMENT :
 • Respectez les charges maximales à raccorder pour la prise de l'appareil (reportez-vous aux SPÉCIFICATIONS.)
 • Assurez-vous que l'aspirateur et l'appareil électrique sont éteints avant de les brancher ou de les débrancher. Si vous raccordez l'appareil électrique à l'aspirateur alors qu'ils sont tous les deux allumés, vous risquez de déclencher un démarrage involontaire et soudain, entraînant de graves blessures corporelles.

Lors du raccordement d'un outil mis à la terre, insérez une fiche munie d'une prise de terre dans la prise de l'aspirateur. (Fig. 3)

⚠ ATTENTION :

- Ne raccordez jamais à la prise de l'aspirateur un appareil électrique dont la puissance d'entrée est supérieure à celle spécifiée dans les « SPÉCIFICATIONS » en tournant le bouton de réglage de la puissance d'aspiration. Si vous raccordez un appareil électrique présentant une puissance d'entrée supérieure à celle spécifiée, vous risquez de déclencher une surchauffe et d'endommager l'aspirateur. Pour éviter ce type de problème, reportez-vous aux spécifications.

Vous pouvez raccorder l'aspirateur à un appareil électrique dont la puissance d'entrée est conforme à celles indiquées dans les « SPÉCIFICATIONS ».
 Pour raccorder un appareil électrique, ouvrez le couvercle et insérez la prise de l'appareil électrique dans la prise de l'aspirateur.

Tournez le levier de l'interrupteur en position « AUTO ». (Fig. 2)

Déplacez le bouton de réglage de la puissance d'aspiration sur la position adéquate pour la puissance d'entrée de l'appareil électrique que vous prévoyez d'utiliser. Reportez-vous aux SPÉCIFICATIONS pour régler le bouton de réglage de la puissance d'aspiration selon la puissance d'entrée de l'appareil électrique. Le fait d'allumer et d'éteindre simultanément l'appareil électrique raccordé entraîne l'activation et la désactivation de l'aspirateur. L'aspirateur fonctionne encore pendant quelques secondes, même après la désactivation de l'appareil électrique.

Après avoir utilisé l'appareil électrique, débranchez-le de la prise de l'aspirateur.
 Éteignez l'aspirateur après l'avoir utilisé.

Arrêt de l'aspiration automatique pendant le fonctionnement

⚠ AVERTISSEMENT :

- **N'utilisez pas l'appareil pendant une durée prolongée lors du fonctionnement du flotteur.** L'utilisation prolongée de l'aspirateur lors du fonctionnement de son flotteur peut provoquer une surchauffe et entraîner une déformation de l'aspirateur.
- **N'aspirez pas de mousse ou de liquide savonneux.** L'aspiration de mousse ou de liquide savonneux peut entraîner l'expulsion de la mousse avant le fonctionnement du flotteur. Si vous continuez à utiliser l'appareil dans cet état, vous risquez de provoquer un choc électrique et de casser l'aspirateur.

L'aspirateur est équipé d'un mécanisme à flotteur qui empêche l'eau de pénétrer dans le moteur lors de l'aspiration d'une quantité d'eau trop importante.
 Lorsque le réservoir est plein et que l'aspirateur n'aspire plus d'eau, éteignez l'aspirateur et videz le réservoir.

Installation du support (Fig. 4)

Lors du raccordement d'un appareil électrique, sécurisez le cordon d'alimentation et le tuyau en espaçant les supports fournis avec l'aspirateur de 70 à 80 cm l'un de l'autre, de sorte que le tuyau ne soit pas emmêlé par le cordon d'alimentation.

Utilisation du compartiment de base

⚠ ATTENTION :

- **Veillez à ne pas vous pincer les doigts en fermant le compartiment de base.** Le non-respect de cette instruction peut provoquer des blessures corporelles.

REMARQUE :

- Ne forcez pas de manière excessive sur le compartiment de base. Vous risqueriez de l'endommager. Fermez le compartiment de base lorsque vous ne l'utilisez pas.

L'ouverture du compartiment de base permet d'effectuer les opérations suivantes.

Rangement du cordon d'alimentation

REMARQUE :

- **N'utilisez pas l'aspirateur ou un appareil électrique raccordé après avoir enroulé un cordon d'alimentation sur le compartiment de base.** L'utilisation de l'aspirateur ou de l'appareil électrique raccordé avec le cordon d'alimentation risque d'endommager ce dernier. (Fig. 5)

Rangement des manchons avant

Les manchons avant 22, 24 et 38 peuvent être rangés (jusqu'à deux à la fois.) (Fig. 6)

Rangement du tuyau (Fig. 7)

Pose d'un appareil électrique de dimensions raisonnables pour le compartiment de base, par exemple une scie circulaire. (Fig. 5)

Blocage ou déblocage des roulettes

Pour les modèles VC1310L et VC2510L (Fig. 9)

Pour le modèle VC3210L (Fig. 10)

Pour bloquer les roulettes à l'aide d'une butée, abaissez le levier de la butée afin d'empêcher la roulette de tourner. Pour débloquer les roulettes, soulevez le levier de la butée.

Il est pratique de bloquer les roulettes lors du rangement de l'aspirateur, de l'interruption momentanée de l'aspiration et du maintien à l'arrêt de l'aspirateur.

Pour bouger la butée, déplacez-la avec la main.

REMARQUE :

- Lors du déplacement de l'aspirateur, assurez-vous que les roulettes sont débloquées. Si vous déplacez l'aspirateur alors que les roulettes sont bloquées, vous risquez de les endommager.

ASSEMBLAGE

⚠ ATTENTION :

- Avant d'effectuer toute intervention sur l'aspirateur, assurez-vous toujours qu'il est hors tension et débranché.
- Portez toujours un masque anti-poussière pendant l'assemblage ou l'entretien.

Installation du filtre à eau (Fig. 11)

Pour aspirer de l'eau ou de la poussière humide, retirez le préfiltre et l'humidificateur, puis utilisez le filtre à eau. Lors de l'installation du filtre à eau sur le réservoir, serrez-le à fond sur l'ouverture du réservoir, de sorte que le

crochet du filtre à eau s'insère à fond dans l'ouverture du réservoir et qu'il n'y ait pas d'espace entre le filtre à eau et le réservoir. (Fig. 12)

Installez également le filtre à eau, de manière à l'aligner sur le repère de la position de montage.

REMARQUE :

- Les modèles VC2510L et VC3210L ne comportent aucun repère pour la position de montage car il n'est pas nécessaire de les aligner.

Installation du sac en papier

⚠ AVERTISSEMENT :

- Lors de l'utilisation du sac en papier, utilisez également le préfiltre préinstallé sur l'outil. La non utilisation du préfiltre risque de provoquer un bruit anormal et de la chaleur, puis de déclencher un incendie.

⚠ ATTENTION :

- N'aspirez jamais d'eau ou d'autres liquides ou bien des poussières humides lors de l'utilisation du sac en papier. L'aspiration de ces types de substance peut entraîner le déchirement du sac en papier.
1. Retirez le support en caoutchouc. (Fig. 13)
 2. Déployez le sac en papier.
 3. Alignez l'ouverture du sac en papier sur l'ouverture d'aspiration de la poussière de l'aspirateur. (Fig. 14 et 15)
 4. Insérez le carton du sac en papier sur l'appareil, de sorte qu'il se trouve à l'extrémité au-delà du renflement bloquant.

Installation du support du tuyau (accessoire fourni en option)

Pour le modèle VC1310L uniquement

Appuyez sur le crochet du cordon comme indiqué sur la figure. (Fig. 16)

Fixez le support du tuyau sur le crochet du cordon. (Les crochets sont toujours éloignés du couvercle du réservoir.)

Soulevez le support du tuyau jusqu'à ce que les crochets entrent en contact avec le couvercle du réservoir et appuyez sur la partie A du support du tuyau. (Fig. 17)

Appuyez fortement sur la section A et maintenez-la appuyée tout en abaissant le support du tuyau. (Fig. 18) Insérez les deux renflements du support du tuyau dans les rainures du couvercle du réservoir, puis appuyez sur le support du tuyau. (Fig. 19 et 20)

REMARQUE :

- Si le support du tuyau est trop abaissé par rapport à la position prévue, il ne peut pas être installé sur le crochet du cordon, qui se trouve éloigné du couvercle du réservoir, comme illustré sur la figure. (Fig. 21)

REMARQUE :

- Assurez-vous que les deux crochets du support du tuyau sont bien attachés au couvercle du réservoir. (Fig. 22)

Raccordement d'un tuyau

⚠ ATTENTION :

- Ne forcez jamais sur le tuyau pour le courber ou le marquer. Le déplacez jamais l'aspirateur en le tirant

- par le tuyau. Si vous forcez, marquez et tirez sur le tuyau, vous risquez de le casser ou de le déformer.
- Lors de l'aspiration de gros déchets, tels que des copeaux, des morceaux de béton ou des substances similaires qui ne sont pas de petits déchets, utilisez le tuyau de 38 mm de diamètre interne (accessoire fourni en option). L'utilisation du tuyau de 28 mm de diamètre interne peut provoquer l'obturation et l'endommagement du tuyau.

Insérez le tuyau dans le port de montage du réservoir et tournez-le dans le sens horaire jusqu'à ce qu'il se bloque. (Fig. 23)

Installation du sac en polyéthylène

Vous pouvez également utiliser l'aspirateur sans sac en polyéthylène. Toutefois, l'utilisation d'un sac en polyéthylène facilite le vidage du réservoir tout en évitant de se salir les mains.

Étalez le sac en polyéthylène dans le réservoir. Insérez-le entre la plaque du support et le réservoir et tirez-le vers l'entrée du tuyau. (Fig. 24)

Étalez le sac autour de la partie supérieure du réservoir. Accrochez l'autre côté du sac autour de la partie supérieure du réservoir, de sorte que le crochet du préfiltre puisse l'accrocher et le bien le maintenir. (Fig. 25)

REMARQUE :

- Vous pouvez utiliser un sac en polyéthylène disponible dans le commerce. Il est recommandé d'utiliser un sac d'une épaisseur de 0,04 mm au moins.
- Une quantité de poussière trop importante déchirera aisément le sac, donc ne remplissez pas le sac de plus de la moitié de sa capacité en poussière.

Vidage du sac en polyéthylène

⚠ AVERTISSEMENT :

- Assurez-vous toujours que l'aspirateur est éteint et débranché avant de vider le sac en polyéthylène. Le non respect de cette recommandation provoquera un choc électrique et de graves blessures corporelles.

⚠ ATTENTION :

- N'appuyez pas fortement sur le filtre à poudre et sur le réservoir. Une pression trop importante risque de déformer et d'endommager le filtre à poudre et le réservoir.
- Videz le réservoir au moins une fois par jour, même si cela dépend du volume de poussière aspirée dans le réservoir. Si cela n'est pas fait, la puissance d'aspiration sera amoindrie et le moteur risquera de se casser.
- Ne tirez pas sur le crochet lorsque vous videz le réservoir. Vous risqueriez de le casser.

Débranchez et soulevez le couvercle du réservoir. (Fig. 26) Secouez la poussière du filtre à poudre, de l'humidificateur et du préfiltre, puis sortez le sac en polyéthylène du réservoir. (Fig. 27)

REMARQUE :

- Au moment de vider le sac en polyéthylène, sortez-le du réservoir avec précaution, de sorte qu'il ne puisse pas être happé et déchiré par le renflement à l'intérieur du réservoir.

- Videz le sac en polyéthylène avant qu'il soit plein. Une quantité trop importante de poussière dans le réservoir peut entraîner la déchirure du sac en polyéthylène.

Installation du filtre à poudre (pour la poussière sèche) (Fig. 11)

Placez le préfiltre dans le réservoir.

Ensuite, installez l'humidificateur sur le filtre à poudre, puis placez-le dans le préfiltre.

Lors de l'installation du filtre à poudre et du préfiltre, les repères pour la position de montage de chacun d'eux sont alignés sur ceux indiqués en haut du réservoir.

Enfin, installez le couvercle du réservoir.

REMARQUE :

- Les modèles VC2510L et VC3210L ne comportent aucun repère pour la position de montage car il n'est pas nécessaire de les aligner.
- Avant d'utiliser le filtre à poudre, assurez-vous que le préfiltre et l'humidificateur sont toujours utilisés conjointement. Il est interdit d'installer le filtre à poudre uniquement.
- Avant d'utiliser le sac en papier, assurez-vous que le filtre à poudre, l'humidificateur et le préfiltre sont toujours utilisés conjointement.

Installation du filtre à poudre (HEPA)

Accessoire fourni en option, disponible uniquement pour les modèles

VC2510L et VC3210L (Fig. 28)

Pour utiliser le filtre à poudre (HEPA), dévissez les boulons et retirez la cage du flotteur et le flotteur. Puis suivez la procédure de la section « Installation du filtre à poudre (pour la poussière sèche) ».

Transport de l'aspirateur (Fig. 29)

Pour transporter l'aspirateur, tenez la poignée située sur le chapeau, comme illustré sur la figure. Lorsque vous n'utilisez pas la poignée, vous pouvez la rétracter sur le chapeau.

ENTRETIEN

⚠ ATTENTION :

- Assurez-vous toujours que l'outil est hors tension et débranché avant d'y effectuer tout travail d'inspection ou d'entretien.

Rangement du cordon d'alimentation

Pour le modèle VC1310L uniquement (Fig. 30 et 31)

Extrayez le crochet du cordon ou ouvrez le compartiment de base. Enroulez le cordon d'alimentation et suspendez-le sur le crochet du cordon ou bien enroulez-le autour du compartiment de base.

REMARQUE :

- Ne forcez pas sur le cordon d'alimentation pour le retirer du crochet lorsque vous tentez de le débrancher. Si vous forcez sur le cordon d'alimentation pour le retirer du crochet, vous risquez de l'endommager.

Pour les modèles VC2510L et VC3210L (Fig. 32 et 33)

Enroulez le cordon d'alimentation autour du compartiment de base.

Rangement des accessoires

REMARQUE :

- N'appliquez pas une force excessive aux accessoires maintenus par le support du tuyau. L'application d'une force excessive à ces accessoires risque d'endommager le support du tuyau.

Pour le modèle VC1310L uniquement (Fig. 34)

Le support du tuyau peut être utilisé pour ranger le tuyau droit, le tuyau courbé, l'embout d'angle et d'autres éléments similaires grâce à la simple insertion de ces accessoires.

Les tuyaux peuvent être placés dans le support du tuyau en cas de non utilisation de l'aspirateur pendant un certain temps. (Fig. 35)

Pour les modèles VC2510L et VC3210L (Fig. 36)

Le support du tuyau peut être utilisé pour ranger le tuyau droit, le tuyau courbé et d'autres éléments similaires grâce à la simple insertion de ces accessoires. (Fig. 37)

Les tuyaux peuvent être placés dans le support du tuyau en cas de non utilisation de l'aspirateur pendant un certain temps.

Nettoyage

⚠ ATTENTION :

- N'utilisez jamais d'essence, de benzine, de diluant, d'alcool ou de produit similaire. Ces produits risquent de provoquer des décolorations, des déformations ou des fissures.

Si le filtre à poudre, le préfiltre ou l'humidificateur sont bouchés, les performances d'aspiration seront amoindries. (Fig. 38)

Nettoyez les filtres et les humidificateurs de temps en temps.

Pour retirer la poussière ou les particules collées aux filtres, secouez plusieurs fois la partie inférieure du châssis.

Lavez de temps à autre le filtre à poudre dans de l'eau, rincez-le et séchez-le bien à l'ombre avant de l'utiliser. Ne lavez jamais les filtres dans une machine à laver. (Fig. 39)

REMARQUE :

- Ne frottez pas et ne rayez pas le filtre à poudre, le préfiltre ou l'humidificateur avec des objets durs tels qu'une brosse ou une spatule.
- Les filtres sont des consommables et il est recommandé d'en avoir de rechange.

Pour maintenir la SÉCURITÉ et la FIABILITÉ du produit, les réparations, tout autre travail d'entretien ou de réglage doivent être effectués dans un centre de service Makita agréé, exclusivement avec des pièces de rechange Makita.

ACCESSOIRES FOURNIS EN OPTION

⚠ ATTENTION :

- Ces accessoires ou pièces complémentaires sont recommandés pour être utilisés avec l'outil Makita spécifié dans ce mode d'emploi. L'utilisation de tout autre accessoire ou pièce complémentaire peut comporter un risque de blessure. N'utilisez les

accessoires ou pièces qu'aux fins auxquelles ils ont été conçus.

Pour obtenir plus de détails sur ces accessoires, contactez votre Centre de service local Makita.

- Tuyau
- Manchons avant (22, 24, 38)
- Tuyau droit
- Embout d'angle
- Brosse ronde
- Filtre à poudre (pour le type sec)
- Humidificateur
- Préfiltre
- Ensemble de l'embout
- Tuyau courbé
- Sac en polyéthylène
- Filtre (pour l'eau)
- Sac en papier
- Ensemble du support
- Support du tuyau (pour le modèle VC1310L uniquement)
- Filtre à poudre (HEPA) (pour les modèles VC2510L et VC3210L)

REMARQUE :

- Certains éléments de la liste peuvent être inclus en tant qu'accessoires standard dans le coffret de l'outil envoyé. Ils peuvent varier suivant les pays.

Bruit

ENG905-1

Les niveaux de bruit pondéré A typiques ont été mesurés selon la norme IEC60335-2-69 :

Modèle VC1310L

Niveau de pression sonore (L_{pA}) : 72 dB (A)

Incertitude (K) : 2,5 dB (A)

Le niveau de bruit peut dépasser 80 dB (A) lors de l'utilisation.

Modèles VC2510L, VC3210L

Niveau de pression sonore (L_{pA}) : 73 dB (A)

Incertitude (K) : 2,5 dB (A)

Le niveau de bruit peut dépasser 80 dB (A) lors de l'utilisation.

Portez des protections auditives.

Vibrations

ENG900-1

La valeur totale de vibration (somme du vecteur triaxial) a été déterminée selon la norme IEC60335-2-69 :

La valeur des émissions de vibrations est inférieure à 2,5 m/s^2 .

Déclaration de conformité CE

Pour les pays d'Europe uniquement

La Déclaration de conformité CE figure en Annexe A du présent mode d'emploi.

DEUTSCH (Originalanweisungen)

WARNUNG

- Diese Maschine sollte nicht von Personen (einschließlich Kindern) mit reduzierten körperlichen, sensorischen oder geistigen Fähigkeiten oder mangelnder Erfahrung und Kenntnis benutzt werden.
- Kinder sollten beaufsichtigt werden, um sicherzugehen, dass sie nicht mit dem Sauggerät spielen.
- Falls das Versorgungskabel beschädigt ist, muss es von der autorisierten Service-Einrichtung ersetzt werden.
- Entsprechende Details der Vorsichtsmaßnahmen während der Benutzerwartung finden Sie im Kapitel „WARTUNG“.

Erläuterung der Gesamtdarstellung

| | | |
|--------------------------------|---|---------------------------------------|
| 1. Einstellknopf für Saugkraft | 15. Feuchtefilter | 28. Vorstehender Teil des Rohrhalters |
| 2. Schalter | 16. Vorfilter | 29. Nut |
| 3. Kappe | 17. Behälter | 30. Haken |
| 4. Stromkabel | 18. Markierung der Befestigungsposition | 31. Halteplatte |
| 5. Halter | 19. Wasserfilter | 32. Polyethylenbeutel |
| 6. Werkzeughalter | 20. Gummihalter | 33. Schwimmer |
| 7. Vordere Manschetten | 21. Papiertüte | 34. Schwimmerkäfig |
| 8. Schlauch | 22. Kabelhalter | 35. Griff |
| 9. Rolle | 23. Drücken | 36. Haube |
| 10. Stopperhebel | 24. Rohrhalter | 37. Kabelhalter |
| 11. Position ENTRIEGELT | 25. Abschnitt A | 38. Gerades Rohr |
| 12. Position VERRIEGELT | 26. Haken | 39. Eckendüse |
| 13. Behälterdeckel | 27. Mit Kraft drücken und absenken | 40. Stopper |
| 14. Staubfilter | | |

TECHNISCHE DATEN

| Modell | | VC1310L / VC2510L / VC3210L | | | | | |
|--|-----------------|-----------------------------|-----------|---------|-----------|-------|-----------|
| | | EU | AU/NZ | GB 110V | GB 230V | CL | AR/CH |
| Spannung | Volt | 230 - 240 | 230 - 240 | 110 | 230 - 240 | 220 | 230 - 240 |
| Leistungsaufnahme | Watt | 1.050 | 1.050 | 1.050 | 1.050 | 1.050 | 1.050 |
| Anschließbare Last für Gerätesteckdose | Watt im Modus ☺ | 2.400 | 1.200 | 600 | 1.900 | 2.200 | 1.100 |
| Anschließbare Last für Gerätesteckdose | Watt im Modus ☹ | 2.600 | 1.400 | 850 | 2.100 | 2.500 | 1.400 |
| Leistungsaufnahme gesamt | Watt | 3.450 | 2.250 | 1.650 | 2.950 | 3.250 | 2.150 |

| Modell | | VC1310L | VC2510L | VC3210L |
|-------------------------|--------|--|--------------------------|--------------------------|
| Volumenstrom (Luft) | | 2,0 m³/min | | |
| Unterdruck | | 22 kPa | | |
| Schutzklasse | | 1 | | |
| Schutzart | | IP X4 (geschützt gegen allseitiges Spritzwasser) | | |
| Aufnahmefähigkeit | Staub | 13 L | 25 L | 32 L |
| | Wasser | 7 L | 14 L | 27 L |
| Abmessungen (L x B x H) | | 366 mm x 334 mm x 420 mm | 432 mm x 416 mm x 451 mm | 552 mm x 398 mm x 685 mm |
| Nettogewicht | | 9,6 kg | 10,5 kg | 14,5 kg |

- Aufgrund unserer beständigen Forschungen und Weiterentwicklungen sind Änderungen an den hier angegebenen Technischen Daten ohne Vorankündigung vorbehalten.
- Die Technischen Daten können in den einzelnen Ländern voneinander abweichen.
- Das Gewicht schließt keine Zubehörteile ein.

Symbole

END108-7

Im Folgenden sind die im Zusammenhang mit diesem Gerät verwendeten Symbole dargestellt. Machen Sie sich vor der Benutzung des Geräts unbedingt mit diesen Symbolen vertraut!



..... Lesen Sie die Bedienungsanleitung!



..... Besondere Umsicht und Aufmerksamkeit erforderlich.



..... Warnung! Im Staubsauger befindet sich möglicherweise gesundheitsgefährlicher Staub.



..... Stellen Sie sich niemals auf den Staubsauger!



..... Staubklasse L (leicht). Die Staubsauger sind in der Lage, Staub der Staubklasse L aufzusaugen. Befolgen Sie die Vorschriften Ihres Landes in Bezug auf Stäube sowie Sicherheit und Gesundheitsschutz am Arbeitsplatz.



..... Nur für EU-Länder
Aufgrund des Vorhandenseins gefährlicher Komponenten in der Ausrüstung können Elektro- und Elektronik-Altgeräte sich negativ auf die Umwelt und die menschliche Gesundheit auswirken.
Entsorgen Sie Elektro- und Elektronikgeräte nicht mit dem Hausmüll! In Übereinstimmung mit der Europäischen Richtlinie über Elektro- und Elektronik-Altgeräte und ihrer Anpassung an nationales Recht sollten Elektro- und Elektronik-Altgeräte gemäß den Umweltschutzbestimmungen getrennt gesammelt und zu einer getrennten Sammelstelle für Siedlungsabfälle geliefert werden. Dies wird durch das am Gerät angebrachte Symbol der durchgestrichenen Abfalltonne auf Rädern angezeigt.

Verwendungszweck

ENE084-1

Das Gerät wurde für das Sammeln von trockenem und feuchtem Staub entwickelt. Das Gerät ist für die gewerbliche Nutzung, beispielsweise in Hotels, Schulen, Krankenhäusern, Fabriken, Geschäften, Büros, und im Vermietgewerbe vorgesehen.

Stromversorgung

ENF001-1

Das Gerät darf nur an eine Stromversorgung mit Einphasen-Wechselstrom mit der auf dem Typenschild angegebenen Spannung angeschlossen werden. Während der Verwendung muss dieses Werkzeug ordnungsgemäß geerdet sein, um Personen, insbesondere den Bediener, vor einem Stromschlag zu schützen. Verwenden Sie nur dreidrigge Verlängerungskabel mit Schutzleiter und Schuko-Steckern und Schuko-Steckdosen, die dem Schuko-Stecker des Geräts entsprechen.

SICHERHEITSHINWEISE ZUM STAUBSAUGER

ENB119-6



WARNUNG: WICHTIG: WICHTIG! Alle Sicherheitswarnungen und Anweisungen VOR GEBRAUCH AUFMERKSAM LESEN. Eine Missachtung der Warnungen und Anweisungen kann zu einem elektrischen Schlag, Brand und/oder schweren Verletzungen führen.

1. **Stellen Sie vor dem Gebrauch sicher, dass dieses Sauggerät nur von Personen benutzt wird, die im Gebrauch dieses Sauggerätes hinreichend unterrichtet worden sind.**
2. **Vor dem Gebrauch sollten Bediener Informationen, Anweisungen und Schulung im Gebrauch der Maschine und der Substanzen, für die sie zu benutzen ist, einschließlich der sicheren Methode zur Entnahme und Entsorgung des aufgesammelten Materials, erhalten.**
3. **Verwenden Sie die Steckdose am Staubsauger ausschließlich für den in der Anleitung vorgegebenen Zweck.**
4. **Falls Schaum/Flüssigkeit herauskommt, schalten Sie das Gerät sofort aus.**
5. **Reinigen Sie die Wasserstand-Begrenzungsvorrichtung regelmäßig, und untersuchen Sie sie auf Anzeichen von Beschädigung.**
6. **Benutzen Sie das Sauggerät nicht ohne den Filter. Ersetzen Sie einen beschädigten Filter unverzüglich.**
7. **VERWENDUNG DES VERLÄNGERUNGSKABELS. Wenn Sie wegen großer Entfernung zu Ihrer Stromquelle ein Verlängerungskabel benutzen müssen, versuchen Sie, ein Kabel zu verwenden, das ausreichend dick, aber nicht zu lang ist, weil anderenfalls die Leistung des Sauggerätes beeinträchtigt wird. Verwenden Sie für Anwendungen im Freien ein für Freiluftbenutzung geeignetes Verlängerungskabel.**
8. **SPANNUNGSWARNUNG: Bevor Sie das Sauggerät an eine Stromquelle (Buchse, Steckdose usw.) anschließen, sollten Sie sich vergewissern, dass die Versorgungsspannung mit der auf dem Typenschild des Sauggerätes angegebenen übereinstimmt. Eine Stromquelle, deren Spannung höher als die für das Sauggerät angegebene ist, kann zu SCHWERER VERLETZUNG des Bedieners sowie zu Beschädigung des Sauggerätes führen. Im Zweifelsfall DAS SAUGGERÄT NICHT ANSCHLIESSEN. Die Verwendung einer Stromquelle, deren Spannung niedriger als die Angabe auf dem Typenschild ist, ist für den Motor schädlich.**
9. **UNBEABSICHTIGTES EINSCHALTEN VERMEIDEN. Vergewissern Sie sich beim Anschließen, dass der Schalter ausgeschaltet ist.**
10. **Versuchen Sie nicht, brennbare Materialien, Feuerwerk, brennende Zigaretten, heiße Asche, heiße Metallspäne, scharfe Gegenstände, wie etwa Rasierklingen, Nadeln, Glasscherben oder dergleichen aufzusaugen.**
11. **BENUTZEN SIE DAS SAUGGERÄT NIEMALS IN DER NÄHE VON BENZIN, GAS, LACK,**

KLEBSTOFFEN ODER ANDEREN HOCH EXPLOSIVEN SUBSTANZEN. Der Schalter erzeugt Funken beim Ein- und Ausschalten. Ebenso der Motorkollektor während des Betriebs. Es kann zu einer gefährlichen Explosion kommen.

12. Saugen Sie niemals giftige, krebserregende, brennbare oder andere Gefahrstoffe wie Asbest, Arsen, Barium, Beryllium, Blei, Pestizide oder sonstige gesundheitsgefährdende Materialien auf.
13. Stellen Sie das Sauggerät immer auf eine horizontale und ebene Fläche, um zu verhindern, dass es herunterfällt oder sich unbeabsichtigt bewegt.
14. Benutzen Sie das Sauggerät niemals im Freien bei Regen.
15. Für Finnland: Diese Maschine darf nicht im Freien bei niedrigen Temperaturen benutzt werden.
16. Benutzen Sie das Sauggerät nicht in der Nähe von Wärmequellen (Öfen usw.).
17. Wird die Abluft in den Raum zurückgeleitet, muss für eine angemessene Luftwechselrate im Raum gesorgt werden. Bezugnahme auf nationale Vorschriften ist notwendig.
18. **SCHUTZ VOR ELEKTRISCHEN SCHLÄGEN.** Verhindern Sie Körperkontakt mit geerdeten Oberflächen. Zum Beispiel: Rohre, Radiatoren, Herde, Kühlschranksgehäuse.
19. Blockieren Sie die Kühlluftöffnungen nicht. Diese Öffnungen gestatten eine Kühlung des Motors. Blockierung ist sorgfältig zu vermeiden, weil sonst der Motor wegen mangelnder Belüftung überhitzt.
20. Achten Sie stets auf sicheren Stand und gute Balance.
21. **KABEL NICHT MISSBRAUCHEN.** Tragen Sie das Sauggerät niemals am Netzkabel, und reißen Sie niemals daran, um es von der Steckdose zu trennen. Halten Sie das Kabel von Hitze, Öl und scharfen Kanten fern. Überprüfen Sie die Saugerkäbel regelmäßig, und lassen Sie sie bei Beschädigung von einer autorisierten Kundendienststelle reparieren. Überprüfen Sie Verlängerungskabel regelmäßig, und tauschen Sie sie bei Beschädigung aus.
22. Vermeiden Sie Knicken, Ziehen oder Zertreten des Schlauchs.
23. Stellen Sie das Sauggerät sofort ab, wenn Sie während des Betriebs eine Leistungsver schlechterung oder etwas Ungewöhnliches bemerken.
24. **SAUGGERÄT ABTRENNEN.** Bei Nichtgebrauch, vor der Wartung und beim Wechseln von Zubehör.
25. Reinigen und warten Sie das Sauggerät sofort nach jedem Gebrauch, um es in tadellosem Betriebszustand zu halten.
26. **SAUGGERÄT SORGFÄLTIG WARTEN.** Halten Sie das Sauggerät für bessere und sicherere Leistung sauber. Befolgen Sie die Anweisungen zum Auswechseln von Zubehör. Halten Sie die Handgriffe trocken, sauber und frei von Öl und Fett.
27. **GERÄT AUF BESCHÄDIGTE TEILE ÜBERPRÜFEN.** Bevor Sie das Sauggerät weiter benutzen, sollten Sie beschädigte Schutzvorrichtungen und Teile

- sorgfältig auf ihre Betriebsfähigkeit und Funktionstüchtigkeit hin überprüfen. Überprüfen Sie das Gerät auf Ausrichtung und Klemmen beweglicher Teile, Beschädigung von Teilen, Befestigungszustand und sonstige Mängel von Teilen, die seinen Betrieb beeinträchtigen können. Beschädigte Schutzvorrichtungen oder Teile sollten von einem autorisierten Service-Center ordnungsgemäß repariert oder ausgewechselt werden, wenn nicht anders in dieser Bedienungsanleitung angegeben. Lassen Sie defekte Schalter von einem autorisierten Service-Center auswechseln. Benutzen Sie das Sauggerät nicht, wenn es sich nicht mit dem Schalter ein- und ausschalten lässt.
28. Für Benutzerwartung muss die Maschine zerlegt, gereinigt und gewartet werden, soweit dies einigermaßen praktikabel ist, ohne ein Risiko für das Wartungspersonal und andere Personen zu verursachen.
 29. Die Maschine ist mindestens einmal jährlich vom Hersteller oder einer unterwiesenen Person einer technischen Untersuchung zu unterziehen, die z. B. aus der Überprüfung der Filter auf Beschädigung, der Luftdichtigkeit der Maschine und der einwandfreien Funktion des Steuermechanismus besteht.
 30. Wenn Wartungs- oder Reparaturarbeiten ausgeführt werden, sind alle verunreinigten Artikel, die nicht zufriedenstellend gereinigt werden können, zu entsorgen; solche Artikel sind in undurchlässigen Beuteln im Einklang mit der geltenden Verordnung für die Entsorgung solcher Abfälle zu entsorgen.
 31. **ERSATZTEILE.** Verwenden Sie bei der Wartung nur identische Ersatzteile.
 32. **UNBENUTZTES SAUGGERÄT LAGERN.** Bei Nichtgebrauch sollte das Sauggerät in einem Innenraum gelagert werden.
 33. Nassfilter und das Innere des Flüssigkeitsbehälters müssen vor der Lagerung getrocknet werden.
 34. Behandeln Sie Ihr Sauggerät mit Sorgfalt. Grobe Behandlung kann eine Beschädigung des Sauggerätes verursachen, selbst wenn es noch so robust gebaut ist.
 35. Versuchen Sie nicht, die Außen- oder Innenseite mit Waschbenzin, Verdüner oder Reinigungschemikalien zu reinigen. Dadurch können Risse und Verfärbung verursacht werden.
 36. Benutzen Sie das Sauggerät nicht in einem geschlossenen Raum, wo brennbare, explosive oder giftige Dämpfe von Lack auf Ölbasis, Lackverdünner, Benzin, bestimmten Mottenschutzmitteln usw. abgegeben werden, oder in Bereichen, wo brennbarer Staub vorhanden ist.
 37. Lassen Sie das Saugerkäbel nach Abschluss einer Reinigungsarbeit nicht auf dem Boden liegen. Es kann zu einer Stolpergefahr werden oder Beschädigung des Sauggerätes verursachen.

38. **Betreiben Sie weder dieses noch andere Werkzeuge unter dem Einfluss von Medikamenten oder Alkohol.**
 39. **Als Grundregel der Sicherheit sollten Sie stets eine Schutzbrille oder eine Sicherheitsbrille mit Seitenschützern verwenden.**
 40. **Verwenden Sie eine Staubmaske bei staubigen Arbeitsbedingungen.**
 41. **Diese Maschine sollte nicht von Personen (einschließlich Kindern) mit reduzierten körperlichen, sensorischen oder geistigen Fähigkeiten oder mangelnder Erfahrung und Kenntnis benutzt werden.**
 42. **Kinder sollten beaufsichtigt werden, um sicherzugehen, dass sie nicht mit dem Sauggerät spielen.**
 43. **Fassen Sie Kabelstecker oder Sauggerät niemals mit nassen Händen an.**
 44. **Lassen Sie bei der Reinigung auf Treppen äußerste Vorsicht walten.**
 45. **Benutzen Sie das Sauggerät nicht als Hocker oder Werkbank. Anderenfalls kann die Maschine herunterfallen und Personenschäden verursachen.**
- Stellen Sie vor dem Anschließen und dem Trennen von Elektrowerkzeugen sicher, dass sowohl Staubsauger als auch Elektrowerkzeug ausgeschaltet sind. Wenn beim Anschließen des Elektrowerkzeugs an den Staubsauger beide Geräte eingeschaltet sind, startet das Elektrowerkzeug plötzlich und möglicherweise unerwartet, wobei es zu schweren Verletzungen kommen kann.

Schließen Sie ein Werkzeug mit Schutzerdung nur mit einem Schutzkontaktstecker an die Steckdose des Staubsaugers an. **(Abb. 3)**

⚠️ ACHTUNG:

- Schließen Sie niemals ein Elektrowerkzeug an die Steckdose des Staubsaugers an, dessen Leistungsaufnahme die Vorgaben unter „TECHNISCHE DATEN“ übersteigt, indem Sie den Einstellknopf für die Saugkraft auf Volleistung drehen. Bei Anschließen eines Elektrowerkzeugs mit einer höheren als die zulässige Leistungsaufnahme kann es zu einer Überhitzung und einer Beschädigung des Staubsaugers kommen. Informieren Sie sich unbedingt anhand der Technischen Daten.

An den Staubsauger kann ein Elektrowerkzeug angeschlossen werden, dessen Leistungsaufnahme die unter „TECHNISCHE DATEN“ angegebene Leistungsaufnahme nicht übersteigt.

Um ein Elektrowerkzeug anzuschließen, öffnen Sie die Kappe und stecken Sie den Stecker des Elektrowerkzeugs in die Steckdose am Staubsauger. Drehen Sie den Schalter in die Position „AUTO“. **(Abb. 2)** Bringen Sie den Drehknopf für die Einstellung der Saugkraft in eine Position, die für das zu verwendende Elektrowerkzeug geeignet ist. Informieren Sie sich unter TECHNISCHE DATEN über den Zusammenhang zwischen Einstellknopf für die Saugkraft und Leistungsaufnahme des Elektrowerkzeugs. Bei Ein- bzw. Ausschalten des angeschlossenen Elektrowerkzeugs wird auch der Staubsauger ein- bzw. ausgeschaltet. Nach dem Ausschalten des angeschlossenen Elektrowerkzeugs läuft der Staubsauger noch einige Sekunden nach. Ziehen Sie nach Gebrauch den Stecker des Elektrowerkzeugs aus der Steckdose des Staubsaugers. Schalten Sie den Staubsauger nach Gebrauch aus.

DIESE ANWEISUNGEN AUFBEWAHREN.

⚠️ WARNUNG:

Lassen Sie sich **NICHT** durch Bequemlichkeit oder Vertrautheit mit dem Produkt (durch wiederholten Gebrauch erworben) von der strikten Einhaltung der Sicherheitsregeln für das vorliegende Produkt abhalten. **MISSBRAUCH** oder Missachtung der Sicherheitsvorschriften in dieser Anleitung können schwere Verletzungen verursachen.

FUNKTIONSBESCHREIBUNG

⚠️ WARNUNG:

- **Vergewissern Sie sich vor dem Anschließen des Staubsaugers an die Stromversorgung stets, dass der Staubsauger ausgeschaltet ist.** Beim Anschließen eines eingeschalteten Staubsaugers startet der Staubsauger möglicherweise unerwartet, wodurch es zu schweren Verletzungen kommen kann.

Bedienung des Schalters (Abb. 1)

Um den Staubsauger einzuschalten, drehen Sie den Schalter auf die Position „I“. Um den Staubsauger auszuschalten, drehen Sie den Schalter auf die Position „O“.

Die Saugkraft kann entsprechend der notwendigen Reinigungsarbeiten eingestellt werden. **(Abb. 2)** Durch Drehen des Einstellknopfs für die Saugkraft von Symbol ⇄ in Richtung Symbol ↻ wird die Saugkraft erhöht.

Anschließen von Elektrowerkzeugen

⚠️ WARNUNG:

- Beachten Sie die maximale Anschlusslast für die Gerätesteckdose (siehe TECHNISCHE DATEN).

Automatischer Saugstopp während des Saugens

⚠️ WARNUNG:

- **Verwenden Sie den Staubsauger nicht über längere Zeit, wenn der Schwimmer ausgelöst hat.** Bei Verwendung des Staubsaugers bei ausgelöstem Schwimmer kann es zu einer Überhitzung des Staubsaugers und dadurch zu Deformationen kommen.
- **Saugen Sie keinen Schaum und keine mit schaubildenden Mitteln versetzten Flüssigkeiten auf.** Beim Aufsaugen von Schaum oder von mit schaubildenden Mitteln versetzten Flüssigkeiten kann Schaum aus dem Luftaustritt austreten, bevor der Schwimmer auslöst. Bei weiterem Betrieb in dieser Situation kann es zu einem Stromschlag oder zu einer Beschädigung des Staubsaugers kommen.

Der Staubsauger verfügt über einen Schwimmermechanismus, der das Eindringen von Wasser in den Motor verhindert, nachdem bereits eine bestimmte Menge an Wasser aufgenommen wurde. Wenn der Behälter voll ist und der Staubsauger kein weiteres Wasser mehr aufnimmt, schalten Sie den Staubsauger aus und leeren Sie den Behälter.

Anbringen der Halteklammern (Abb. 4)

Wenn Sie ein Elektrowerkzeug an den Staubsauger anschließen, sichern Sie das Stromkabel des Werkzeugs mit Hilfe der mit dem Staubsauger gelieferten Halteklammern am Saugschlauch, damit sich Schlauch und Kabel nicht ineinander verheddern; bringen Sie die Halteklammern in einem Abstand von 70 bis 80 cm an.

Verwenden des Werkzeughalters

⚠️ ACHTUNG:

- **Achten Sie beim Schließen des Werkzeughalters darauf, dass Sie sich nicht die Finger einklemmen.** Andernfalls kann es zu Verletzungen kommen.

HINWEIS:

- Wenden Sie auf den Werkzeughalter keine übermäßige Kraft an. Durch übermäßige Kraftanwendung kann der Werkzeughalter beschädigt werden. Schließen Sie den Werkzeughalter, wenn dieser nicht genutzt wird.

Ein geöffneter Werkzeughalter kann wie folgt genutzt werden.

Aufbewahren des Stromkabels

HINWEIS:

- **Benutzen Sie den Staubsauger oder ein Elektrowerkzeug nicht mit um den Werkzeughalter aufgewickeltem Stromkabel.** Bei Verwendung von Staubsauger oder Werkzeug mit aufgewickeltem Stromkabel kann das Stromkabel beschädigt werden. (Abb. 5)

Aufbewahren der vorderen Manschetten

Es können vordere Manschetten 22, 24 und 38 aufbewahrt werden (bis zu zwei Stück gleichzeitig). (Abb. 6)

Aufbewahren des Saugschlauchs (Abb. 7)

Ablegen eines Elektrowerkzeugs geeigneter Größe auf dem Werkzeughalter, z. B. eine Kreissäge. (Abb. 8)

Verriegeln und Entriegeln der Rollen

Bei Modellen VC1310L und VC2510L (Abb. 9)

Bei Modell VC3210L (Abb. 10)

Zum Verriegeln einer Rolle mit Stopper bringen Sie den Stopperhebel in die untere Position: die Rolle dreht sich nicht mehr. Zum Entriegeln der Rolle bringen Sie den Stopperhebel wieder in die obere Position. Das Verriegeln der Rolle macht insbesondere beim Abstellen des Staubsaugers nach Gebrauch, beim Unterbrechen der Arbeiten und dann, wenn sich der Staubsauger nicht bewegen soll, Sinn. Betätigen Sie den Stopper von Hand.

HINWEIS:

- Achten Sie darauf, dass die Rolle entriegelt ist, wenn Sie den Staubsauger bewegen möchten. Bei Bewegungen des Staubsaugers mit verriegelter Rolle kann die Rolle beschädigt werden.

ZUSAMMENBAU

⚠️ ACHTUNG:

- Schalten Sie den Staubsauger unbedingt aus und ziehen Sie den Netzstecker, bevor Sie irgendwelche Arbeiten am Staubsauger durchführen.
- Tragen Sie während der Montage oder Wartung immer eine Staubmaske.

Einbauen des Wasserfilters (Abb. 11)

Wenn Wasser oder feuchter Staub aufgenommen werden soll, entnehmen Sie Vorfilter und Feuchtefilter und setzen Sie anschließend den Wasserfilter ein.

Setzen Sie den Wasserfilter straff so auf den Rand des Behälters auf, dass der Haken des Wasserfilters sicher auf dem Rand des Behälters einhakt und dass kein Freiraum zwischen Wasserfilter und Behälter besteht. (Abb. 12)

Setzen Sie den Wasserfilter außerdem so ein, dass die Markierungen der Befestigungsposition zueinander ausgerichtet sind.

HINWEIS:

- Bei den Modellen VC2510L und VC3210L sind keine Markierungen für die Befestigungsposition vorhanden, da der Filter nicht ausgerichtet werden muss.

Einsetzen der Papiertüte

⚠️ WARNUNG:

- Bei Verwendung der Papiertüte muss auch der werkseitig bereits in das Gerät eingebaute Vorfilter verwendet werden. Ohne Vorfilter kommt es zu unnötiger Geräusentwicklung, und es kann zu einer Überhitzung mit einem Brand als Folge kommen.

⚠️ ACHTUNG:

- Saugen Sie bei Gebrauch von Papiertüten niemals Wasser oder sonstige Flüssigkeiten oder feuchten Staub auf. Bei Aufsaugen derartiger Stoffe können Papiertüten beschädigt werden.
1. Nehmen Sie den Gummihalter ab. (Abb. 13)
 2. Falten Sie die Papiertüte auseinander.
 3. Richten Sie die Öffnung der Papiertüte mit der Staubansaugöffnung des Staubsaugers aus. (Abb. 14 und 15)
 4. Setzen Sie die Pappe der Papiertüte so in den Staubsauger ein, dass sie sich am Ende hinter der Arretierungsnase befindet.

Anbringen des Rohrhalters (Sonderzubehör)

Bei Modell VC1310L

Drücken Sie den Kabelhalter wie in der Abbildung dargestellt nach unten. (Abb. 16)
Bringen Sie den Rohrhalter am Kabelhalter an. (Die Halter zeigen vom Behälterdeckel weg.)

Ziehen Sie den Rohrhalter so weit nach oben, bis die Halter den Behälterdeckel berühren, und drücken Sie auf den Abschnitt A des Rohrhalters. (Abb. 17)

Drücken Sie Abschnitt A mit großer Kraft, halten Sie den Druck aufrecht und bringen Sie den Rohrhalter nach unten. (Abb. 18)

Passen Sie die zwei vorstehenden Teile des Rohrhalters in die Nuten am Behälterdeckel ein und drücken Sie den Rohrhalter anschließend nach unten. (Abb. 19 und 20)

HINWEIS:

- Ein Rohrhalter, der wesentlich tiefer als die vorgesehene Position abgesenkt wurde, kann nicht wie in der Abbildung dargestellt mit vom Behälterdeckel wegweisenden Haken am Kabelhalter angebracht werden. (Abb. 21)

HINWEIS:

- Achten Sie darauf, dass die zwei Haken des Rohrhalters fest und sicher am Behälterdeckel eingehakt sind. (Abb. 22)

Anschließen des Saugschlauchs

⚠ ACHTUNG:

- Biegen Sie den Saugschlauch niemals gewaltsam und drücken Sie den Schlauch niemals gewaltsam zusammen. Bewegen Sie den Staubsauger niemals durch Ziehen am Schlauch. Durch gewaltsames Biegen oder Zusammendrücken des Schlauchs und durch Ziehen am Schlauch kann der Schlauch beschädigt oder deformiert werden.
- Verwenden Sie zum Aufsaugen großer Abfallstücke wie beispielsweise Hobelspäne, Bentonbrocken o. ä. den Schlauch mit dem Innendurchmesser von 38 mm (Sonderzubehör). Bei Verwendung des Schlauchs mit Innendurchmesser 28 mm kann es zum Verstopfen und zu Beschädigungen des Schlauchs kommen.

Setzen Sie den Schlauch auf den Befestigungsanschluss des Behälters auf und drehen Sie den Schlauch im Uhrzeigersinn, bis der Schlauch einrastet. (Abb. 23)

Einlegen eines Polyethylenbeutels

Der Staubsauger kann auch ohne Polyethylenbeutel verwendet werden. Bei Verwendung eines Polyethylenbeutels kann der Behälter jedoch einfacher geleert werden, ohne sich die Hände zu verschmutzen. Falten Sie den Polyethylenbeutel im Behälter auseinander. Setzen Sie den Beutel zwischen Halteplatte und Behälter ein und ziehen Sie den Beutel zum Schlauchanschluss. (Abb. 24)

Legen Sie den Beutel um die Oberkante des Behälters. Haken Sie die andere Seite des Beutels um die Oberkante des Behälters, damit der Haken des Vorfilters greifen und den Beutel sicher in Position arretieren kann. (Abb. 25)

HINWEIS:

- Es können handelsübliche Polyethylenbeutel verwendet werden. Es wird empfohlen, Beutel mit einer Dicke von mindestens 0,04 mm zu verwenden.
- Bei einer zu großen Staubmenge reißen die Beutel leicht, sammeln Sie daher in einem Beutel nicht mehr als die Hälfte des Beutelvolumens an Staub.

Leeren des Polyethylenbeutels

⚠ WARNUNG:

- Stellen Sie vor dem Leeren des Polyethylenbeutels unbedingt sicher, dass der Staubsauger ausgeschaltet und vom Stromnetz getrennt ist. Anderenfalls kann es zu einem Stromschlag und zu ernsthaften Verletzungen kommen.

⚠ ACHTUNG:

- Wenden Sie nicht allzu viel Kraft bei Staubfilter und Behälter an. Durch Anwenden großer Kräfte können Staubfilter und Behälter deformiert und beschädigt werden.
- Leeren Sie den Behälter mindestens einmal täglich; dies ist jedoch vom in den Behälter gesaugten Staubvolumen abhängig. Anderenfalls sinkt die Saugkraft, wodurch der Motor beschädigt werden kann.
- Reißen Sie beim Leeren des Behälters nicht an der Verschlussklammer. Anderenfalls kann die Verschlussklammer beschädigt werden.

Entriegeln Sie den Behälterdeckel und heben Sie den Deckel ab. (Abb. 26)

Schütteln Sie den Staub von Staubfilter, Feuchtefilter und Vorfilter und nehmen Sie anschließend den Polyethylenbeutel aus dem Behälter. (Abb. 27)

HINWEIS:

- Nehmen Sie den Polyethylenbeutel vorsichtig aus dem Behälter, damit sich der Beutel nicht an Bauteilen im Inneren des Behälters verfängt und aufreißt.
- Leeren Sie den Polyethylenbeutel, bevor der Beutel voll ist. Ein zu stark gefüllter Beutel kann zerreißen.

Einbauen des Staubfilters (für trockenen Staub) (Abb. 11)

Setzen Sie den Vorfilter in den Behälter ein.

Setzen Sie anschließend den Feuchtefilter auf den Staubfilter auf und anschließend in den Vorfilter ein.

Achten Sie beim Einsetzen von Staubfilter und Vorfilter darauf, dass die Markierungen der Befestigungsposition der Filter mit der Markierung an der Oberseite des Behälters ausgerichtet sind.

Setzen Sie zum Schluss den Behälterdeckel wieder auf.

HINWEIS:

- Bei den Modellen VC2510L und VC3210L sind keine Markierungen für die Befestigungsposition vorhanden, da der Filter nicht ausgerichtet werden muss.
- Stellen Sie vor dem Einsetzen des Staubfilters sicher, dass sowohl der Vorfilter als auch der Feuchtefilter eingesetzt wurden. Das Verwenden des Staubfilters ohne Vorfilter und Feuchtefilter ist nicht zulässig.
- Stellen Sie vor dem Einsetzen einer Papiertüte sicher, dass sowohl der Vorfilter und der Feuchtefilter als auch der Staubfilter eingesetzt wurde.

Einbauen des Staubfilters (HEPA)

Optionales Zubehör, nur für die Modelle

VC2510L und VC3210L erhältlich (Abb. 28)

Um den Staubfilter (HEPA) zu verwenden, entfernen Sie den Schwimmerkäfig und den Schwimmer durch Entfernen der Schrauben. Führen Sie dann die im

Abschnitt "Einbauen des Staubfilters (für trockenen Staub)" beschriebenen Schritte aus.

Tragen des Staubsaugers (Abb. 29)

Um den Staubsauger zu tragen, erfassen Sie den Griff der Haube, wie in der Abbildung dargestellt. Bei Nichtverwendung kann der Griff in die Haube eingeklappt werden.

WARTUNG

⚠ ACHTUNG:

- Schalten Sie das Werkzeug aus und ziehen Sie immer den Netzstecker, bevor Sie Kontrollen oder Wartungsarbeiten am Werkzeug vornehmen.

Aufbewahren des Stromkabels

Nur bei Modell VC1310L (Abb. 30 und 31)

Ziehen Sie den Kabelhalter heraus bzw. öffnen Sie den Werkzeughalter. Wickeln Sie das Stromkabel auf und hängen Sie es an den Kabelhalter, oder wickeln Sie das Stromkabel um den Werkzeughalter.

HINWEIS:

- Ziehen Sie das Stromkabel beim Abnehmen nicht mit Gewalt vom Kabelhalter. Bei einem gewaltsamen Abziehen des Stromkabels vom Kabelhalter kann das Kabel beschädigt werden.

Bei Modellen VC2510L und VC3210L (Abb. 32 und 33)

Wickeln Sie das Stromkabel um den Werkzeughalter.

Aufbewahren von Zubehör

HINWEIS:

- Wenden Sie bei Zubehör, das am Rohrhalter befestigt ist, nicht zu viel Kraft an. Durch Anwenden von zu viel Kraft auf dieses Zubehör kann der Rohrhalter beschädigt werden.

Nur bei Modell VC1310L (Abb. 34)

Am Rohrhalter können ein gerades Rohr, ein gekrümmtes Rohr, Eckendüsen und ähnliche Teile aufbewahrt werden; dazu werden diese Zubehörteile einfach in den Rohrhalter eingesetzt.

Die Rohre können auch in den Rohrhalter eingesetzt werden, wenn der Staubsauger bei einer Arbeitsunterbrechung kurzzeitig nicht genutzt wird.

(Abb. 35)

Bei Modellen VC2510L und VC3210L (Abb. 36)

Am Rohrhalter können ein gerades Rohr, ein gekrümmtes Rohr und ähnliche Teile aufbewahrt werden; dazu werden diese Zubehörteile einfach in den Rohrhalter eingesetzt.

(Abb. 37)

Die Rohre können auch in den Rohrhalter eingesetzt werden, wenn der Staubsauger bei einer Arbeitsunterbrechung kurzzeitig nicht genutzt wird.

Reinigung

⚠ ACHTUNG:

- Verwenden Sie zum Reinigen niemals Kraftstoffe, Benzin, Verdünnern, Alkohol oder ähnliches. Dies kann zu Verfärbungen, Verformungen oder Rissen führen.

Bei Verstopfung von Staubfilter, Vorfilter und Feuchtefilter kann die Saugleistung stark sinken. (Abb. 38)

Reinigen Sie Filter von Zeit zu Zeit.

Um Staub oder an den Filtern anhaftende Partikel zu entfernen, schütteln Sie den Rahmenboden mehrmals kräftig.

Waschen Sie den Staubfilter gelegentlich in Wasser aus, spülen Sie den Filter mit klarem Wasser und lassen Sie den Filter an einem schattigen Ort gründlich trocknen. Waschen Sie Filter niemals in einer Waschmaschine.

(Abb. 39)

HINWEIS:

- Reiben oder kratzen Sie den Staubfilter, den Vorfilter und den Feuchtefilter niemals mit harten Gegenständen wie beispielsweise Bürsten oder Kratzern.
- Filter sind Verbrauchsmaterial; es ist daher empfehlenswert, stets einige Reservefilter vorrätig zu halten.

Zur Gewährleistung von SICHERHEIT und ZUVERLÄSSIGKEIT des Produkts sollten Reparaturen, Wartungsarbeiten und Einstellungen nur durch von Makita autorisierte Servicecenter durchgeführt und ausschließlich Makita-Ersatzteile verwendet werden.

SONDERZUBEHÖR

⚠ ACHTUNG:

- Für das in diesem Handbuch beschriebene Makita-Gerät werden die folgenden Zubehör- und Zusatzteile empfohlen. Bei Verwendung anderer Zubehör- und Zusatzteile kann es zu Verletzungen kommen. Verwenden Sie Zubehör- und Zusatzteile nur für den vorgesehenen Zweck.

Informationen zu diesem Zubehör erhalten Sie von Ihrem Makita-Servicecenter.

- Schlauch
- Vordere Muffen (22, 24, 38)
- Gerades Rohr
- Eckendüse
- Rundbürste
- Staubfilter (für Trockenstaub)
- Feuchtefilter
- Vorfilter
- Düsensatz
- Gekrümmtes Rohr
- Polyethylenbeutel
- Filter (für Wasser)
- Papiertüte
- Halterset
- Rohrhalter (nur Modell VC1310L)
- Staubfilter (HEPA) (für die Modelle VC2510L und VC3210L)

HINWEIS:

- Einige der in der Liste aufgeführten Elemente sind dem Werkzeugpaket als Standardzubehör beigeigefügt. Diese können in den einzelnen Ländern voneinander abweichen.

Schall

ENG905-1

Typischer A-bewerteter Schallpegel nach IEC60335-2-69:

Modell VC1310LSchalldruckpegel (L_{pA}): 72 dB (A)

Abweichung (K): 2,5 dB (A)

Unter Arbeitsbedingungen kann der Schallpegel 80 dB (A) überschreiten.

Modell VC2510L, VC3210LSchalldruckpegel (L_{pA}): 73 dB (A)

Abweichung (K): 2,5 dB (A)

Unter Arbeitsbedingungen kann der Schallpegel 80 dB (A) überschreiten.

Tragen Sie Gehörschutz.**Schwingung**

ENG900-1

Schwingungsgesamtwert (Vektorsumme dreier Achsen)

nach IEC60335-2-69:

Der Schwingungsemissionswert liegt unter 2,5 m/s².**EG-Konformitätserklärung*****Nur für europäische Länder***

Die EG-Konformitätserklärung liegt dieser

Betriebsanleitung als Anhang A bei.

ITALIANO (Istruzioni originali)


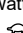
AVVERTENZA

- La presente macchina non è destinata all'utilizzo da parte di persone, inclusi i bambini, dalle capacità fisiche, sensoriali o mentali ridotte, o prive di esperienza e preparazione.
- I bambini vanno tenuti sotto controllo per accertarsi che non giochino con l'aspiratore.
- Qualora il cavo di alimentazione sia danneggiato, deve essere sostituito da una struttura di assistenza autorizzata.
- Per i dettagli appropriati relativi alle precauzioni durante la manutenzione da parte dell'utente, vedere il capitolo "MANUTENZIONE".

Spiegazione della vista generale

- | | | |
|--|---------------------------------------|-------------------------------------|
| 1. Manopola di regolazione della potenza aspirante | 14. Filtro antipolvere | 28. Sporgenza del supporto del tubo |
| 2. Manopola interruttore | 15. Valvola di tiraggio | 29. Scanalatura |
| 3. Coperchio | 16. Prefiltro | 30. Gancio |
| 4. Cavo di alimentazione | 17. Serbatoio | 31. Piastra del supporto |
| 5. Supporto | 18. Indicatore del punto di montaggio | 32. Sacchetto in polietilene |
| 6. Gancio base | 19. Filtro dell'acqua | 33. Galleggiante |
| 7. Bocchette anteriori | 20. Supporto in gomma | 34. Gabbia del galleggiante |
| 8. Tubo | 21. Sacchetto di carta | 35. Maniglia |
| 9. Ruota orientabile | 22. Gancio di avvolgimento del cavo | 36. Testata |
| 10. Pedale del fermo | 23. Premere | 37. Gancio di avvolgimento del cavo |
| 11. Posizione di MOVIMENTO | 24. Supporto del tubo | 38. Tubo diritto |
| 12. Posizione di ARRESTO | 25. Sezione A | 39. Ugello angolare |
| 13. Coperchio del serbatoio | 26. Ganci | 40. Fermo |
| | 27. Premere con forza e abbassare | |

CARATTERISTICHE TECNICHE

| Modello | | VC1310L / VC2510L / VC3210L | | | | | |
|--|---|-----------------------------|-----------|---------|-----------|-------|-----------|
| | | UE | AU/NZ | GB 110V | GB 230V | CL | AR/CH |
| Tensione | Volt | 230 - 240 | 230 - 240 | 110 | 230 - 240 | 220 | 230 - 240 |
| Potenza assorbita | Watt | 1.050 | 1.050 | 1.050 | 1.050 | 1.050 | 1.050 |
| Potenza allacciata per la presa degli utensili elettrici | Watt a  modalità simboli | 2.400 | 1.200 | 600 | 1.900 | 2.200 | 1.100 |
| Potenza allacciata per la presa degli utensili elettrici | Watt a  modalità simboli | 2.600 | 1.400 | 850 | 2.100 | 2.500 | 1.400 |
| Potenza allacciata totale | Watt | 3.450 | 2.250 | 1.650 | 2.950 | 3.250 | 2.150 |

| Modello | | VC1310L | VC2510L | VC3210L |
|-------------------------|---------|--------------------------|--------------------------|--------------------------|
| Flusso in volume (aria) | | 2,0 m ³ /min | | |
| Pressione di vuoto | | 22 kPa | | |
| Classe di protezione | | 1 | | |
| Tipo di protezione | | IP X4 (antispruzzo) | | |
| Capacità di recupero | Polvere | 13 L | 25 L | 32 L |
| | Acqua | 7 L | 14 L | 27 L |
| Dimensioni (L × P × A) | | 366 mm × 334 mm × 420 mm | 432 mm × 416 mm × 451 mm | 552 mm × 398 mm × 685 mm |
| Peso netto | | 9,6 kg | 10,5 kg | 14,5 kg |

- Le caratteristiche tecniche riportate di seguito sono soggette a modifiche senza preavviso in virtù del nostro programma continuo di ricerca e sviluppo.
- Le caratteristiche tecniche possono differire da paese a paese.
- Il peso non comprende gli accessori.

Simboli

END108-7

Di seguito sono riportati i simboli utilizzati per l'apparecchio. È importante comprenderne il significato prima dell'uso.



..... Leggere il manuale di istruzioni.



..... Adottare cura e attenzione particolari.



..... Avvertenza! L'aspiratore può contenere polveri pericolose.



..... Non salire sull'aspiratore.



..... Classe di polveri L (leggere). Gli aspiratori sono in grado di raccogliere polveri di classe L. Attenersi alle normative della propria nazione relative alle polveri e alla salute e alla sicurezza sul lavoro.



..... Solo per le nazioni dell'EU
A causa della presenza di componenti pericolosi nelle apparecchiature, le apparecchiature elettriche ed elettroniche usate potrebbero produrre un impatto negativo sull'ambiente e sulla salute umana.

Non smaltire elettrodomestici elettrici ed elettronici insieme ai rifiuti domestici! In conformità alla direttiva europea sui rifiuti di apparecchiature elettriche ed elettroniche (RAEE), e al suo adattamento alle normative nazionali, le apparecchiature elettriche ed elettroniche usate vanno sottoposte a raccolta differenziata e conferite a un punto di raccolta separato per i rifiuti comunali, operando in conformità alle normative per la protezione dell'ambiente. Tale requisito viene indicato mediante il simbolo del bidone della spazzatura con ruote barrato apposto sull'apparecchio.

Uso previsto

ENE084-1

L'utensile è destinato all'aspirazione di polveri umide e asciutte. L'apparecchio è adatto per l'uso commerciale, ad esempio in alberghi, scuole, ospedali, fabbriche, negozi, uffici e società di noleggio.

Alimentazione

ENF001-1

L'utensile deve essere collegato a una presa di corrente con la stessa tensione di quella indicata sulla targhetta e può funzionare soltanto con corrente alternata monofase. L'utensile va collegato a terra durante l'uso per proteggere l'operatore da scosse elettriche. Usare solo prolunghe a tre fili con spine a tre rebbi per la messa a terra e con prese a tre poli per l'inserimento della spina dell'utensile.

AVVERTENZE SULLA SICUREZZA DELL'ASPIRATORE

ENB119-6

 **AVVERTENZA: IMPORTANTE! LEGGERE CON ATTENZIONE tutte le avvertenze di sicurezza e tutte le**

istruzioni **PRIMA DELL'USO**. La mancata osservanza delle avvertenze e delle istruzioni potrebbe risultare in scosse elettriche, incendi e/o gravi lesioni personali.

1. **Prima dell'uso, accertarsi che il presente aspiratore venga utilizzato esclusivamente da personale che sia stato istruito in modo adeguato sull'utilizzo del presente aspiratore.**
2. **Prima dell'uso, è necessario fornire agli operatori informazioni, istruzioni e addestramento sull'utilizzo della macchina e delle sostanze per le quali deve essere utilizzata, incluso il metodo sicuro di rimozione e smaltimento dei materiali raccolti.**
3. **Usare la presa di corrente sull'aspiratore solo per gli scopi specificati nelle istruzioni.**
4. **In caso di fuoriuscita di schiuma/liquido, spegnere immediatamente l'apparecchio.**
5. **Pulire a intervalli regolari il dispositivo di limitazione del livello dell'acqua e ispezionarlo alla ricerca di segni di danneggiamento.**
6. **Non utilizzare l'aspiratore senza il filtro. Sostituire immediatamente un filtro danneggiato.**
7. **USO DEL CAVO DI PROLUNGA. Quando si intende utilizzare un cavo di prolunga a causa di una notevole distanza dalla fonte di alimentazione, provare a utilizzare un cavo dello spessore sufficiente, ma di lunghezza non eccessiva; in caso contrario, le prestazioni dell'aspiratore subiranno un impatto negativo. Per applicazioni all'aperto, utilizzare un cavo di prolunga idoneo per l'utilizzo all'aperto.**
8. **AVVERTENZA RELATIVA AL VOLTAGGIO: Prima di collegare l'aspiratore a una fonte di alimentazione (presa elettrica multipla o singola, e così via), accertarsi che il voltaggio erogato coincida con quello specificato sulla targhetta dei dati identificativi dell'aspiratore. Una fonte di alimentazione con un voltaggio superiore a quello specificato per l'aspiratore può risultare in GRAVI LESIONI PERSONALI all'operatore, nonché in danni all'aspiratore. In caso di dubbi, NON COLLEGARE L'ASPIRATORE ALLA PRESA ELETTRICA. L'utilizzo di una fonte di alimentazione con un voltaggio inferiore a quello nominale indicato sulla targhetta dei dati identificativi è dannoso per il motore.**
9. **EVITARE L'AVVIO ACCIDENTALE. Accertarsi che l'interruttore sia in posizione OFF (spento) durante il collegamento all'alimentazione elettrica.**
10. **Non tentare di raccogliere materiali infiammabili, fuochi d'artificio, sigarette accese, ceneri calde, schegge di metallo roventi, materiali affilati quali rasoi, aghi, vetri rotti o simili.**
11. **NON UTILIZZARE MAI L'ASPIRATORE IN PROSSIMITÀ DI BENZINA, GAS, VERNICI, ADESIVI O ALTRE SOSTANZE ALTAMENTE ESPLOSIVE. L'interruttore emette delle scintille quando viene attivato e disattivato. Anche il commutatore del motore emette scintille durante l'uso. Di conseguenza, potrebbe verificarsi un'esplosione pericolosa.**
12. **Non aspirare mai materiali tossici, cancerogeni, combustibili o altri materiali pericolosi quali**

- amianto, arsenico, bario, berillio, piombo, pesticidi o altri materiali nocivi.
13. Collocare sempre l'aspiratore su una superficie piana orizzontale, per evitarne la caduta o lo spostamento accidentali.
 14. Non utilizzare mai l'aspiratore all'aperto sotto la pioggia.
 15. Per la Finlandia, questa macchina non va utilizzata all'aperto a basse temperature.
 16. Non utilizzare in prossimità di fonti di calore (cucine, e così via).
 17. Qualora l'aria di scarico ritorni nella stanza, è necessario provvedere al ricambio dell'aria nella stanza con una frequenza adeguata. Se necessario, fare riferimento alle normative nazionali.
 18. **PROTEZIONE DALLE SCOSSE ELETTRICHE.** Evitare il contatto del corpo con superfici collegate a terra. Ad esempio, tubi metallici, radiatori, cucine, celle frigorifere.
 19. Non ostruire le feritoie di ventilazione. Tali feritoie consentono il raffreddamento del motore. Le ostruzioni vanno evitate con cura; in caso contrario, il motore si brucia a causa della mancanza di ventilazione.
 20. Mantenere sempre un corretto appoggio sui piedi e l'equilibrio.
 21. **NON SOTTOPORRE IL CAVO A USI IMPROPRI.** Non trasportare mai l'aspiratore tenendolo per il cavo, né tirare quest'ultimo per scollegarlo dalla presa elettrica. Tenere il cavo lontano da calore, olio e bordi affilati. Ispezionare a intervalli regolari i cavi dell'aspiratore, e qualora siano danneggiati, farli riparare da un centro di assistenza autorizzato. Ispezionare a intervalli regolari i cavi di prolunga e sostituirli, se danneggiati.
 22. Non piegare, tirare o calpestare il tubo flessibile.
 23. Arrestare immediatamente l'aspiratore qualora si notino prestazioni scadenti o qualsiasi anomalia durante l'uso.
 24. **SCOLLEGARE L'ASPIRATORE.** quando non si utilizza l'apparecchio, prima di interventi di assistenza e quando si intende sostituire gli accessori.
 25. Pulire e sottoporre a manutenzione l'aspiratore subito dopo ciascun utilizzo per mantenerlo in condizioni operative ottimali.
 26. **SOTTOPORRE A MANUTENZIONE L'ASPIRATORE CON CURA.** Mantenere l'aspiratore pulito per prestazioni migliori e più sicure. Seguire le istruzioni per la sostituzione degli accessori. Mantenere le maniglie pulite, asciutte e prive di olio e grasso.
 27. **CONTROLLARE L'EVENTUALE PRESENZA DI PARTI DANNEGGIATE.** Prima di utilizzare ulteriormente l'aspiratore, controllare con cura protezioni o altre parti che siano danneggiate per accertarsi che funzionino correttamente e che svolgano la funzione a cui sono destinate. Controllare l'allineamento delle parti mobili, la presenza di eventuali inceppamenti delle parti mobili o rottura dei componenti, il montaggio ed eventuali altre condizioni che potrebbero influenzare il funzionamento. Una protezione o un'altra parte che siano danneggiate vanno riparate correttamente o sostituite da un centro di assistenza autorizzato, se non diversamente indicato altrove nel presente manuale di istruzioni. Far sostituire gli interruttori difettosi da un centro di assistenza autorizzato. Non utilizzare l'aspiratore qualora l'interruttore non consenta di accenderlo e spegnerlo.
 28. Per la manutenzione eseguita dall'utente, la macchina va smantellata, pulita e sottoposta a manutenzione, entro i limiti ragionevolmente praticabili, senza causare rischi al personale di manutenzione e ad altri.
 29. Almeno una volta all'anno, il produttore o una persona appositamente preparata devono sottoporre la macchina a un'ispezione tecnica che comprenda, ad esempio, l'ispezione dei filtri alla ricerca di eventuali danni, l'ermeticità della macchina e il funzionamento corretto del meccanismo di controllo.
 30. Quando si intende eseguire operazioni di manutenzione o di riparazione, tutti gli elementi contaminati che non possano venire puliti in modo soddisfacente devono essere smaltiti; tali elementi vanno smaltiti in sacchetti impenetrabili, in conformità a qualsiasi normativa corrente relativa allo smaltimento di tali rifiuti.
 31. **PEZZI DI RICAMBIO.** Quando si effettuano interventi di assistenza, utilizzare esclusivamente pezzi di ricambio identici.
 32. **RIPORRE L'ASPIRATORE QUANDO NON VIENE UTILIZZATO.** Quando l'aspiratore non è in uso, dovrebbe venire riposto al chiuso.
 33. I filtri per liquidi e la parte interna del contenitore per liquidi vanno asciugati prima di conservarli.
 34. Maneggiare con delicatezza l'aspiratore. Anche l'aspiratore più robusto può rompersi a causa dell'incuria nel maneggiarlo.
 35. Non tentare di pulire la superficie esterna o interna con benzina, solventi o prodotti chimici di pulizia. In caso contrario, si potrebbero causare spaccature e scolorimenti.
 36. Non utilizzare l'aspiratore in spazi chiusi in cui siano presenti emissioni di vapori infiammabili, esplosivi o tossici dovute a vernici a olio, diluenti per vernici, benzina, alcune sostanze per trattamenti antitartermici, e così via, o in aree in cui siano presenti polveri infiammabili.
 37. Non lasciare il cavo dell'aspiratore sul pavimento dopo aver terminato un'operazione di pulizia. Si potrebbe correre il rischio di inciamparvi, o quest'ultimo potrebbe causare danni all'aspiratore.
 38. Non utilizzare questo utensile o altri utensili sotto l'effetto di droghe o alcolici.
 39. Come regola di base per la sicurezza, utilizzare occhiali oppure occhiali di sicurezza con paraocchi laterali.
 40. Utilizzare una maschera antipolvere in condizioni di lavoro che presentino polveri.
 41. La presente macchina non è destinata all'utilizzo da parte di persone, inclusi i bambini, dalle capacità fisiche, sensoriali o mentali ridotte, o prive di esperienza e preparazione.

42. **I bambini vanno tenuti sotto controllo per accertarsi che non giochino con l'aspiratore.**
43. **Non maneggiare mai la spina del cavo o l'aspiratore con le mani bagnate.**
44. **Adottare estrema cautela durante la pulizia delle scale.**
45. **Non utilizzare l'aspiratore come sgabello o piano di lavoro. In caso contrario, la macchina potrebbe cadere, causando lesioni personali.**

CONSERVARE LE PRESENTI ISTRUZIONI.

⚠ AVVERTENZA:

NON lasciare che la comodità o la familiarità d'uso con il prodotto (acquisita con l'uso ripetuto) sostituiscano la stretta osservanza delle norme di sicurezza. L'USO IMPROPRIO o la mancata osservanza delle norme di sicurezza riportate nel presente manuale di istruzioni potrebbero causare lesioni personali gravi.

DESCRIZIONE FUNZIONALE

⚠ AVVERTENZA:

- **Prima di inserire la spina dell'aspiratore, assicurarsi sempre che sia spento.** Se si inserisce la spina dell'aspiratore con l'interruttore acceso l'aspiratore potrebbe avviarsi inaspettatamente, provocando lesioni personali gravi.

Azionamento dell'interruttore (Fig. 1)

Per avviare l'aspiratore, ruotare la manopola interruttore su "I". Per arrestarlo, ruotare la manopola interruttore su "O".

La potenza aspirante è regolabile in base alle proprie esigenze di lavoro. (Fig. 2)

Per aumentare la potenza aspirante, girare la manopola di regolazione della potenza aspirante dal simbolo ↶ al simbolo ↷.

Collegamento degli utensili elettrici

⚠ AVVERTENZA:

- Rispettare la potenza allacciata massima per la presa degli utensili elettrici (consultare le CARATTERISTICHE TECNICHE).
- Assicurarsi che l'aspiratore e l'utensile elettrico siano entrambi spenti prima di collegarli o scollegarli tra loro. Se si collega l'utensile elettrico all'aspiratore quando sono entrambi accesi potrebbero avviarsi improvvisamente e in maniera inaspettata, causando lesioni personali gravi.

Se si collega un utensile con messa a terra, inserire nella presa dell'aspiratore una spina con piastra di messa a terra. (Fig. 3)

⚠ ATTENZIONE:

- Non collegare mai alla presa dell'aspiratore utensili elettrici con una potenza di ingresso superiore a quella specificata nelle "CARATTERISTICHE TECNICHE" girando la manopola di regolazione della potenza aspirante. Se si collega un utensile elettrico che supera la potenza di ingresso specificata l'aspiratore potrebbe

surriscaldarsi e rimanere danneggiato. Consultare le caratteristiche tecniche per evitare che ciò si verifichi. L'aspiratore può essere collegato a un utensile elettrico con la potenza di ingresso massima indicata nelle "CARATTERISTICHE TECNICHE".

Per collegare un utensile elettrico, aprire il coperchio e inserire la spina dell'utensile elettrico nella presa dell'aspiratore.

Ruotare la manopola interruttore in posizione "AUTO". (Fig. 2)

Ruotare la manopola di regolazione della potenza aspirante su una posizione adatta alla potenza di ingresso dell'utensile elettrico che si intende utilizzare. Consultare le CARATTERISTICHE TECNICHE per conoscere la relazione tra la manopola di regolazione della potenza aspirante e la potenza di ingresso dell'utensile elettrico. Accendendo e spegnendo l'utensile elettrico collegato si accende e si spegne contemporaneamente anche l'aspiratore. L'aspiratore continua a funzionare per alcuni secondi dopo lo spegnimento dell'utensile elettrico. Dopo l'uso, scollegare l'utensile elettrico dalla presa dell'aspiratore.

Spegnere l'aspiratore dopo l'uso.

Arresto dell'aspirazione automatica durante l'aspirazione

⚠ AVVERTENZA:

- **Non usare per lunghi periodi quando è in funzione il galleggiante.** L'uso dell'aspiratore per lunghi periodi quando è in funzione il galleggiante può provocare il surriscaldamento e la deformazione dell'aspiratore.
- **Non aspirare schiuma o liquidi contenenti sapone.** Se si aspira schiuma o liquidi contenenti sapone, la schiuma potrebbe fuoriuscire dalla presa dell'aria prima che entri in funzione il galleggiante. Se si prosegue l'utilizzo in queste condizioni, potrebbero verificarsi scosse elettriche e l'aspiratore potrebbe rompersi.

L'aspiratore dispone di un meccanismo galleggiante che impedisce all'acqua di penetrare nel motore quando ne viene aspirata più di una certa quantità.

Quando il serbatoio è pieno e l'aspiratore non aspira più acqua, spegnere l'aspiratore e svuotare il serbatoio.

Installazione del supporto (Fig. 4)

Quando si collega un utensile elettrico, fissare il cavo di alimentazione e il tubo usando i supporti forniti in dotazione con l'aspiratore a una distanza tra loro di 70 cm - 80 cm, in modo che il tubo non rimanga impigliato con il cavo di alimentazione.

Utilizzo del gancio base

⚠ ATTENZIONE:

- **Attenzione a non rimanere con le dita schiacciate quando si chiude il gancio base.** In caso contrario si potrebbero verificare lesioni personali.

NOTA:

- Non applicare una pressione eccessiva sul gancio base. Una pressione eccessiva sul gancio base potrebbe danneggiarlo. Quando non viene utilizzato, chiudere il gancio base.

L'apertura del gancio base consente i seguenti utilizzi.

Conservazione del cavo di alimentazione

NOTA:

- Non utilizzare l'aspiratore o gli utensili elettrici collegati con il cavo di alimentazione avvolto sul gancio base. In caso contrario, il cavo di alimentazione potrebbe danneggiarsi. (Fig. 5)

Conservazione delle bocchette anteriori

È possibile conservare le bocchette anteriori 22, 24 e 38 (un massimo di due alla volta). (Fig. 6)

Conservazione del tubo (Fig. 7)

Appoggio di un utensile elettrico di dimensioni ragionevoli, come una sega circolare, sul gancio base. (Fig. 8)

Bloccaggio e sbloccaggio della ruota orientabile

Per i modelli VC1310L e VC2510L (Fig. 9)

Per il modello VC3210L (Fig. 10)

Per bloccare la ruota orientabile con il fermo, abbassare il pedale del fermo: la ruota orientabile non potrà più essere ruotata. Per sbloccare la ruota orientabile dalla posizione di bloccaggio, sollevare il pedale del fermo.

Il bloccaggio della ruota orientabile risulta pratico quando si ripone l'aspiratore, per fare una pausa durante il lavoro e per mantenere fermo l'aspiratore.

Per usare il fermo, spostarlo a mano.

NOTA:

- Quando si sposta l'aspiratore, assicurarsi che la ruota orientabile non sia bloccata. In caso contrario, la ruota orientabile potrebbe danneggiarsi.

MONTAGGIO

⚠ ATTENZIONE:

- Accertarsi sempre che l'aspiratore sia spento e scollegato prima di iniziare qualsiasi operazione di montaggio.
- Indossare sempre una mascherina antipolvere durante il montaggio o la manutenzione.

Installazione del filtro dell'acqua (Fig. 11)

Per aspirare acqua o polveri umide, rimuovere il prefiltro la valvola di trappaggio, quindi usare il filtro dell'acqua.

Quando si installa il filtro dell'acqua sul serbatoio, fissarlo ben stretto all'apertura del serbatoio, in modo che il gancio del filtro dell'acqua si innesti saldamente sull'apertura del serbatoio e non rimanga spazio tra il filtro dell'acqua e il serbatoio. (Fig. 12)

Installare inoltre il filtro dell'acqua in modo che l'indicatore del punto di montaggio possa essere allineato.

NOTA:

- I modelli VC2510L e VC3210L non dispongono di indicatore del punto di montaggio e non hanno quindi bisogno di allineamento.

Installazione del sacchetto di carta

⚠ AVVERTENZA:

- Quando si usa il sacchetto di carta, usare anche il prefiltro che è preinstallato sull'utensile. Se non si usa il

prefiltro, potrebbero prodursi rumori anomali e surriscaldamento, con conseguente rischio di incendio.

⚠ ATTENZIONE:

- Evitare di aspirare acqua o altri liquidi o polveri umide quando si usa il sacchetto di carta. In caso contrario, il sacchetto di carta potrebbe rompersi.
 1. Rimuovere il supporto in gomma. (Fig. 13)
 2. Aprire ed allargare il sacchetto di carta.
 3. Allineare l'apertura del sacchetto di carta con l'apertura di aspirazione della polvere dell'aspiratore. (Fig. 14 e 15)
 4. Inserire il cartoncino del sacchetto di carta nell'utensile in modo da posizionarlo in fondo, oltre la sporgenza del fermo.

Installazione del supporto del tubo (accessorio opzionale)

Solo per il modello VC1310L

Premere il gancio di avvolgimento del cavo come mostrato in figura. (Fig. 16)

Fissare il supporto del tubo sul gancio di avvolgimento del cavo. (I ganci sono separati dal coperchio del serbatoio.)

Sollevare il supporto del tubo fino a quando i ganci toccano il coperchio del serbatoio, quindi premere la sezione A del supporto del tubo. (Fig. 17)

Premere con forza la sezione A e, mantenendola premuta, abbassare il supporto del tubo. (Fig. 18)

Inserire la sporgenza del supporto del tubo nelle scanalature del coperchio del serbatoio, quindi spingere verso il basso il supporto del tubo. (Fig. 19 e 20)

NOTA:

- Se il supporto del tubo viene spinto troppo verso il basso rispetto alla posizione corretta, non potrà essere installato sul gancio di avvolgimento del cavo con il gancio separato dal coperchio del serbatoio, come mostrato in figura. (Fig. 21)

NOTA:

- Assicurarsi che i due ganci del supporto del tubo siano fissati saldamente al coperchio del serbatoio. (Fig. 22)

Collegamento di un tubo

⚠ ATTENZIONE:

- Evitare di forzare il tubo per piegarlo o di calpestarlo. Evitare di spostare l'aspiratore tirandolo per il tubo. Se il tubo viene forzato, calpestato o tirato, potrebbe rompersi o deformarsi.
- Per aspirare rifiuti di grandi dimensioni quali trucioli di piallatura, polveri di cemento o simili, utilizzare il tubo con diametro interno di 38 mm (accessorio opzionale). L'uso del tubo con diametro interno di 28 mm può ostruire e danneggiare il tubo.

Inserire il tubo nell'apertura di montaggio del serbatoio e ruotarlo in senso orario fino a quando rimane bloccato. (Fig. 23)

Installazione del sacchetto in polietilene

L'aspiratore può anche essere usato senza il sacchetto in polietilene. Tuttavia, usando il sacchetto in polietilene risulta più facile svuotare il serbatoio senza sporcarsi le mani.

Aprire ed allargare il sacchetto in polietilene all'interno del serbatoio. Inserire il sacchetto tra la piastra del supporto e il serbatoio, quindi tirarlo verso la bocca del tubo. (Fig. 24) Allargare il sacchetto intorno alla parte superiore del serbatoio.

Aggianciare l'altro lato del sacchetto intorno alla parte superiore del serbatoio, in modo che il gancio del prefiltro possa fissarsi e reggere il sacchetto saldamente. (Fig. 25)

NOTA:

- Può essere utilizzato un comune sacchetto in polietilene del tipo disponibile in commercio. Si raccomanda di usare sacchetti di spessore pari o superiore a 0,04 mm.
- Una quantità eccessiva di polvere può causare la rottura del sacchetto: non superare la metà della capacità del sacchetto.

Svuotamento del sacchetto in polietilene

⚠ AVVERTENZA:

- Assicurarsi sempre che l'aspiratore sia spento e scollegato prima di svuotare il sacchetto in polietilene. In caso contrario, potrebbero verificarsi scosse elettriche e lesioni personali gravi.

⚠ ATTENZIONE:

- Non scuotere eccessivamente il filtro antipolvere e il serbatoio. In caso contrario, il filtro antipolvere e il serbatoio potrebbero deformarsi e danneggiarsi.
- Svuotare il serbatoio almeno una volta al giorno, anche se la frequenza di questa operazione dipende dalla quantità di polvere aspirata contenuta nel serbatoio. In caso contrario, la potenza aspirante si ridurrà e il motore potrebbe rompersi.
- Per svuotare il serbatoio, evitare di afferrare il gancio. Afferrando il gancio, esso potrebbe rompersi.

Sganciare e sollevare il coperchio del serbatoio. (Fig. 26) Scuotere via la polvere dal filtro antipolvere, dalla valvola di tiraggio e dal prefiltro, quindi estrarre il sacchetto in polietilene dal serbatoio. (Fig. 27)

NOTA:

- Quando si svuota il sacchetto in polietilene, estrarlo dal serbatoio con attenzione, in modo che non rimanga impigliato sulla sporgenza all'interno del serbatoio, rompendosi.
- Svuotare il sacchetto in polietilene prima che sia completamente pieno. Una quantità eccessiva di polvere nel serbatoio potrebbe causare la rottura del sacchetto in polietilene.

Installazione del filtro antipolvere (per polveri asciutte) (Fig. 11)

Collocare il filtro antipolvere all'interno del serbatoio. Montare quindi la valvola di tiraggio sul filtro antipolvere e collocare il filtro nel prefiltro.

Quando si installa il filtro antipolvere e il prefiltro, i rispettivi indicatori del punto di montaggio vanno allineati con quello in cima al serbatoio.

Infine, montare il coperchio del serbatoio.

NOTA:

- I modelli VC2510L e VC3210L non dispongono di indicatore del punto di montaggio e non hanno quindi bisogno di allineamento.

- Prima di usare il filtro antipolvere, assicurarsi che il prefiltro e la valvola di tiraggio siano entrambi presenti. Non è consentito installare soltanto il filtro antipolvere.
- Prima di usare il sacchetto di carta, assicurarsi che il filtro antipolvere, la valvola di tiraggio e il prefiltro siano tutti presenti.

Installazione del filtro antipolvere (HEPA)

Accessorio opzionale, disponibile solo per i modelli VC2510L e VC3210L (Fig. 28)

Per utilizzare il filtro antipolvere (HEPA), rimuovere la gabbia del galleggiante e il galleggiante rimuovendo i bulloni. Quindi, attenersi alla procedura descritta nella sezione "Installazione del filtro antipolvere (per polveri asciutte)".

Trasporto dell'aspiratore (Fig. 29)

Per trasportare l'aspiratore, impugnare la maniglia sulla testata, come mostrato in figura. Quando non viene utilizzata, la maniglia può essere richiusa sulla testata.

MANUTENZIONE

⚠ ATTENZIONE:

- Prima di effettuare controlli e operazioni di manutenzione, verificare sempre che l'utensile sia spento e scollegato.

Conservazione del cavo di alimentazione

Solo per il modello VC1310L (Fig. 30 e 31)

Estrarre il gancio di avvolgimento del cavo o aprire il gancio base. Avvolgere il cavo di alimentazione e appenderlo al gancio di avvolgimento del cavo o avvolgerlo intorno al gancio base.

NOTA:

- Non forzare il cavo di alimentazione tirandolo dal gancio di avvolgimento del cavo per rimuoverlo dal gancio stesso. In caso contrario, il cavo potrebbe danneggiarsi.

Per i modelli VC2510L e VC3210L (Fig. 32 e 33)

Avvolgere il cavo di alimentazione intorno al gancio base.

Conservazione degli accessori

NOTA:

- Non applicare una forza eccessiva sugli accessori sostenuti dal supporto del tubo. In caso contrario, il supporto del tubo potrebbe danneggiarsi.

Solo per il modello VC1310L (Fig. 34)

Il supporto del tubo può essere usato per conservare il tubo diritto, il tubo ricurvo, l'ugello angolare e simili: basta inserire questi accessori al suo interno.

I tubi possono essere riposti nel supporto del tubo anche quando si interrompe l'uso dell'aspiratore per una pausa durante il lavoro. (Fig. 35)

Per i modelli VC2510L e VC3210L (Fig. 36)

Il supporto del tubo può essere usato per conservare il tubo diritto, il tubo ricurvo e simili: basta inserire questi accessori al suo interno. (Fig. 37)

I tubi possono essere riposti nel supporto del tubo anche quando si interrompe l'uso dell'aspiratore per una pausa durante il lavoro.

Pulizia

ATTENZIONE:

- Evitare assolutamente di usare benzina, diluenti, solventi, alcol o sostanze simili. In caso contrario, potrebbero verificarsi scoloriture, deformazioni o incrinature.

Se il filtro antipolvere, il prefiltro o la valvola di tiraggio sono ostruiti, le prestazioni di aspirazione saranno scadenti. (Fig. 38)

Pulire periodicamente i filtri e le valvole di tiraggio. Per rimuovere polvere e particelle che hanno aderito ai filtri, scuotere rapidamente e ripetutamente la parte inferiore del telaio.

Di tanto in tanto, lavare il filtro antipolvere in acqua, risciacquare e asciugare completamente all'ombra prima dell'uso. Evitare assolutamente di lavare i filtri in lavatrice. (Fig. 39)

NOTA:

- Non strofinare o grattare il filtro antipolvere, il prefiltro o la valvola di tiraggio con oggetti duri quali spazzole o spatole.
- I filtri si consumano: si consiglia di tenere a disposizione dei filtri di ricambio.

Per mantenere la SICUREZZA e l'AFFIDABILITÀ del prodotto, le riparazioni e qualsiasi altra operazione di manutenzione o regolazione devono essere eseguite dai centri di assistenza autorizzati Makita utilizzando sempre pezzi di ricambio Makita.

ACCESSORI OPZIONALI

ATTENZIONE:

- Si consiglia l'uso dei seguenti accessori per l'utensile Makita descritto in questo manuale. L'uso di qualsiasi altro accessorio potrebbe provocare lesioni personali. Utilizzare gli accessori esclusivamente per l'uso dichiarato.

Per l'assistenza e per ulteriori informazioni su tali accessori, rivolgersi al centro assistenza Makita di zona.

- Tubo
- Bocchette anteriori (22, 24, 38)
- Tubo diritto
- Ugello angolare
- Spazzola circolare
- Filtro antipolvere (polveri secche)
- Valvola di tiraggio
- Prefiltro
- Gruppo ugello
- Tubo ricurvo
- Sacchetto in polietilene
- Filtro (per l'acqua)
- Sacchetto di carta
- Set supporto
- Supporto del tubo (solo per il modello VC1310L)
- Filtro antipolvere (HEPA) (per i modelli VC2510L e VC3210L)

NOTA:

- Alcuni degli accessori elencati potrebbero essere inclusi nella confezione dell'utensile come accessori

standard. Gli accessori standard possono differire da paese a paese.

Rumore

ENG905-1

Il tipico livello di rumore ponderato "A" è determinato in conformità alla norma IEC60335-2-69:

Modello VC1310L

Livello di pressione sonora (L_{pA}): 72 dB (A)
Variazione (K): 2,5 dB (A)

Il livello acustico in funzionamento può superare 80 dB (A).

Modello VC2510L, VC3210L

Livello di pressione sonora (L_{pA}): 73 dB (A)
Variazione (K): 2,5 dB (A)

Il livello acustico in funzionamento può superare 80 dB (A).

Indossare una protezione acustica.

Vibrazione

ENG900-1

Il valore totale delle vibrazioni (somma vettoriale triassiale) è determinato in conformità alla norma IEC60335-2-69:

Il valore di emissione di vibrazioni è inferiore a 2,5 m/s².

Dichiarazione di conformità CE

Solo per i paesi europei

La dichiarazione di conformità CE è inclusa nell'Allegato A di questo manuale di istruzioni.

NEDERLANDS (Originele instructies)


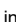
WAARSCHUWING

- Dit apparaat is niet bedoeld voor gebruik door personen, waaronder kinderen, met een verminderd lichamelijk, zintuiglijk of geestelijk vermogen, of gebrek aan kennis en ervaring.
- Kinderen dienen onder toezicht te staan om ervoor te zorgen dat zij niet met de stofzuiger spelen.
- Als het netsnoer beschadigd is, moet dit worden vervangen door een erkende elektrotechnisch reparateur.
- Zie het hoofdstuk "ONDERHOUD" voor de benodigde informatie over de voorzorgsmaatregelen tijdens onderhoud door de gebruiker.

Verklaring van het onderdelenoverzicht

| | | |
|-------------------------|---|---------------------|
| 1. Zuigkrachtinstelknop | 16. Voorfilter | 29. Groef |
| 2. Aan-uitschakelaar | 17. Tank | 30. Haak |
| 3. Deksel | 18. Markeringen voor de plaatsingspositie | 31. Houderplaat |
| 4. Netsnoer | 19. Waterfilter | 32. Polyethyleenzak |
| 5. Klem | 20. Rubberen houder | 33. Vlotter |
| 6. Snoerwikkelaar | 21. Papieren stofzak | 34. Vlotterkooi |
| 7. Aansluitmonden | 22. Snoerhaak | 35. Draaghandvat |
| 8. Slang | 23. Drukken | 36. Tankdeksel |
| 9. Wielje | 24. Buisklem | 37. Snoerhaak |
| 10. Wielvergrendeling | 25. A-gedeelte | 38. Rechte buis |
| 11. Ontgrendelde stand | 26. Haken | 39. Hoekmondstuk |
| 12. Vergrendelde stand | 27. Krachtig drukken en omlaag schuiven | 40. Aanslag |
| 13. Tankdeksel | 28. Uitsteeksel van buisklem | |
| 14. Poederfilter | | |
| 15. Demper | | |

TECHNISCHE GEGEVENS

| Model | | VC1310L / VC2510L / VC3210L | | | | | |
|---|---|-----------------------------|-----------|---------|-----------|-------|-----------|
| | | EU | AU/NZ | GB 110V | GB 230V | CL | AR/CH |
| Spanning | Volt | 230 - 240 | 230 - 240 | 110 | 230 - 240 | 220 | 230 - 240 |
| Stroomverbruik | Watt | 1.050 | 1.050 | 1.050 | 1.050 | 1.050 | 1.050 |
| Aangesloten belasting op stopcontact voor accessoires | Watt in  functie | 2.400 | 1.200 | 600 | 1.900 | 2.200 | 1.100 |
| Aangesloten belasting op stopcontact voor accessoires | Watt in  functie | 2.600 | 1.400 | 850 | 2.100 | 2.500 | 1.400 |
| Totaal aangesloten belasting | Watt | 3.450 | 2.250 | 1.650 | 2.950 | 3.250 | 2.150 |

| Model | | VC1310L | VC2510L | VC3210L |
|------------------------|-------|--------------------------|--------------------------|--------------------------|
| Volumestroom (lucht) | | 2,0 m ³ /min | | |
| Vacuüm | | 22 kPa | | |
| Beveiligingsklasse | | 1 | | |
| Type beveiliging | | IP X4 (spatwaterdicht) | | |
| Inhoud | Stof | 13 liter | 25 liter | 32 liter |
| | Water | 7 liter | 14 liter | 27 liter |
| Afmetingen (l x b x h) | | 366 mm x 334 mm x 420 mm | 432 mm x 416 mm x 451 mm | 552 mm x 398 mm x 685 mm |
| Nettogewicht | | 9,6 kg | 10,5 kg | 14,5 kg |

- Als gevolg van ons doorlopende onderzoeks- en ontwikkelingsprogramma, zijn de technische gegevens van dit gereedschap onderhevig aan veranderingen zonder voorafgaande kennisgeving.
- De technische gegevens kunnen van land tot land verschillen.
- Het gewicht is exclusief de accessoires.

Symbolen

END108-7

Hieronder staan de symbolen die voor het gereedschap worden gebruikt. Zorg ervoor dat u weet wat ze betekenen alvorens het gereedschap te gebruiken.



..... Lees de gebruiksaanwijzing.



..... Wees vooral voorzichtig en let goed op.



..... Waarschuwing! De stofzuiger kan gevaarlijk stof bevatten.



..... Ga nooit op de stofzuiger staan.



..... Stofklasse L (licht). De stofzuigers zijn in staat om stofklasse L op te zuigen. Houd u aan de nationale regelgeving met betrekking tot stof en veiligheid en gezondheid op de werkplek.



..... Alleen voor EU-landen

Als gevolg van de aanwezigheid van schadelijke componenten in het apparaat, kunnen gebruikte elektrische en elektronische apparaten negatieve gevolgen hebben voor het milieu en de gezondheid van mensen.
Gooi elektrische en elektronische apparaten niet met het huisvuil weg!
In overeenstemming met de Europese richtlijn inzake oude elektrische en elektronische apparaten en de toepassing daarvan binnen de nationale regelgeving, dienen gebruikte elektrische en elektronische apparaten gescheiden te worden ingezameld en te worden ingeleverd bij een apart inzamelingspunt voor huishoudelijk afval dat de milieubeschermingsvoorschriften in acht neemt.
Dit wordt op het apparaat aangegeven door het symbool van een doorgekruiste afvalcontainer.

Gebruiksdoelinden

ENE084-1

Het gereedschap is bedoeld om zowel nat als droog stof te verzamelen. Dit gereedschap is geschikt voor commercieel gebruik, bijvoorbeeld in hotels, scholen, ziekenhuizen, fabrieken, winkels, kantoren en verhuurbedrijven.

Voeding

ENF001-1

Het gereedschap mag uitsluitend worden aangesloten op een voeding met dezelfde spanning als aangegeven op het typeplaatje en werkt alleen op enkele-fase wisselstroom. Dit gereedschap moet tijdens gebruik zijn geaard om de gebruiker te beschermen tegen elektrische schokken. Gebruik uitsluitend verlengsnoeren met drie draden die zijn voorzien van geaarde stekkers en geaarde stopcontacten waarin de stekker van het gereedschap past.

VEILIGHEIDSWAARSCHUWINGEN SPECIFIEK VOOR EEN STOFZUIGER

ENB119-6

⚠ WAARSCHUWING: BELANGRIJK! LEES VÓÓR GEBRUIK alle veiligheidswaarschuwingen en alle instructies ZORGVULDIG DOOR. Het niet volgen van de waarschuwingen en instructies kan leiden tot elektrische schokken, brand en/of ernstig letsel.

- 1. Bedenk vóór gebruik dat deze stofzuiger moet worden gebruikt door mensen die goed zijn geïnstrueerd in het gebruik van deze stofzuiger.**
- 2. Vóór gebruik moeten gebruikers informatie, instructie en training krijgen over het gebruik van het apparaat en de materialen waarvoor het moet worden gebruikt, inclusief de veilige werkwijze voor het verwijderen en weggoien van het verzamelde materiaal.**
- 3. Gebruik het stopcontact van de stofzuiger uitsluitend voor doeleinden die in de instructies worden genoemd.**
- 4. Als er schuim of vloeistof uit komt, schakelt u hem onmiddellijk uit.**
- 5. Maak de waterpeilbegrenzer regelmatig schoon en inspecteer hem op tekenen van beschadiging.**
- 6. Gebruik de stofzuiger niet zonder het filter. Vervang een beschadigd filter onmiddellijk.**
- 7. GEBRUIK VAN EEN VERLENGSNOER.** Als u een verlengsnoer moet gebruiken vanwege de grote afstand tot een stopcontact, gebruikt u een verlengsnoer dat voldoende dik maar niet te lang is omdat anders de prestaties van de stofzuiger nadelig beïnvloed kunnen worden. Bij gebruik buitenshuis, gebruikt u een verlengsnoer dat geschikt is voor gebruik buitenshuis.
- 8. WAARSCHUWING OVER SPANNING:** Voordat u de stofzuiger aansluit op een voedingsbron (stopcontact, stekkerdoos, enz.), verzekert u zich ervan dat de voedingsspanning hetzelfde is als de spanning vermeld op het typeplaatje van de stofzuiger. Een voedingsbron met een hogere spanning dan is opgegeven voor de stofzuiger, kan ERNSTIG LETSEL bij de gebruiker veroorzaken, naast schade aan de stofzuiger. Bij twijfel mag u DE STOFZUIGER NIET AANSLUITEN. Het gebruik van een voedingsbron met een lagere spanning dan is vermeld op het typeplaatje, is schadelijk voor de motor.
- 9. VOORKOM ONBEDOELD STARTEN.** Verzekert u ervan dat de schakelaar in de uit-stand staat voordat u de stekker in het stopcontact steekt.
- 10. Probeer niet brandbare materialen, vuurwerk, brandende sigaretten, hete as, hete metaaldeeltjes, scherpe materialen, zoals scheermesjes, naalden, gebroken glas en dergelijke, op te zuigen.**
- 11. GEBRUIK DE STOFZUIGER NOOIT IN DE BUURT VAN BENZINE, GAS, VERF, LIJM OF ANDERE UITERST EXPLOSIEVE STOFFEN.** De schakelaar produceert vonken bij het in- en uitschakelen. En dat doet ook de collector in de motor tijdens gebruik. Hierdoor kan een gevaarlijke explosie worden veroorzaakt.

12. Zuig nooit giftige, kankerverwekkende, ontbrandbare of andere gevaarlijke stoffen op, zoals asbest, arsenicum, barium, beryllium, lood, pesticiden en andere gezondheidsbedreigende materialen.
13. Plaats de stofzuiger altijd op een horizontale en vlakke ondergrond om te voorkomen dat hij omvalt of onbedoeld beweegt.
14. Gebruik de stofzuiger nooit buitenshuis in de regen.
15. In Finland mag dit apparaat niet buitenshuis worden gebruikt bij lage temperaturen.
16. Gebruik hem niet dichtbij een warmtebron (fornuis, enz.).
17. Als de uitlaatlucht terugstroomt in het vertrek, is het noodzakelijk voor voldoende luchtverversing in het vertrek te zorgen. Raadpleeg hiervoor de nationale regelgeving.
18. **BEVEILIGING TEGEN ELEKTRISCHE SCHOKKEN.** Voorkom lichamelijk contact met geaarde oppervlakken. Bijvoorbeeld: pijpen, radiators, kooktoestellen, buitenkant koelkasten.
19. Blokkeer de ventilatieopeningen niet. Deze ventilatieopeningen zorgen voor de koeling van de motor. Blokkering ervan moet altijd worden voorkomen omdat anders de motor zal doorbranden als gevolg van gebrek aan ventilatie.
20. Zorg altijd voor een stevige stand en goede lichaamsbalans.
21. **GEBRUIK HET SNOER NIET VERKEERD.** Draag de stofzuiger nooit aan het netsnoer en geef nooit een ruk aan het netsnoer om zo de stekker uit het stopcontact te trekken. Houd het netsnoer uit de buurt van hitte, olie en scherpe randen. Inspecteer het netsnoer van de stofzuiger regelmatig en indien het beschadigd is, laat u het repareren door een erkende elektrotechnisch reparateur. Inspecteer verlengsnoeren regelmatig en vervang ze indien beschadigd.
22. U mag de slang niet knikken, eraan trekken of erop gaan staan.
23. Schakel de stofzuiger onmiddellijk uit als u tijdens gebruik slechte prestaties of iets abnormaals opmerkt.
24. **KOPPEL DE STOFZUIGER LOS.** wanneer het gereedschap niet in gebruik is, u er onderhoud aan gaat plegen, en u accessoires verwisselt.
25. Reinig en onderhoud de stofzuiger onmiddellijk na elk gebruik om hem in optimale conditie te houden.
26. **ONDERHOUD DE STOFZUIGER GOED.** Houd de stofzuiger schoon om beter en veiliger te kunnen werken. Houdt u aan de instructies voor het verwisselen van de accessoires. Houd de handgrepen droog, schoon en vrij van olie en vetten.
27. **CONTROLEER BESCHADIGDE ONDERDELEN.** Zonder de stofzuiger verder te gebruiken, moet een beschermkap of ander onderdeel dat beschadigd is eerst goed worden onderzocht om te beoordelen of het goed werkt en zijn beoogde functie kan uitvoeren. Controleer of bewegende delen goed uitgelijnd zijn en niet vastgelopen zijn, of onderdelen niet kapot zijn en stevig gemonteerd zijn, en enige andere situatie die van invloed kan zijn op de werking ervan. Een beschermkap of ander onderdeel dat beschadigd is, dient vakkundig te worden gerepareerd of vervangen door een erkend servicecentrum, behalve indien anders aangegeven elders in deze gebruiksaanwijzing. Laat een kapotte schakelaar vervangen door een erkend servicecentrum. Gebruik de stofzuiger niet als hij niet kan worden in- en uitgeschakeld met de schakelaar.
28. Bij onderhoud door de gebruiker moet het apparaat worden gedemonteerd, gereinigd en onderhouden voor zover dat redelijkerwijs praktisch is zonder dat dit risico's oplevert voor het onderhoudspersoneel en anderen.
29. Het apparaat moet minimaal jaarlijks worden onderworpen aan een technische inspectie door de fabrikant of een opgeleid persoon, welke dient te bestaan uit, bijvoorbeeld, een inspectie van de filters op beschadigingen, de luchtdichtheid van het apparaat en de juiste werking van het bedieningsmechanisme.
30. Tijdens het uitvoeren van onderhouds- of reparatiewerkzaamheden moeten alle verontreinigde onderdelen die niet naar tevredenheid kunnen worden schoongemaakt, worden weggegooid. Dergelijke onderdelen moeten worden weggegooid in ondoordringbare zakken conform alle huidige regelgeving voor het weggooiën van dergelijk afval.
31. **VERVANGINGSONDERDELEN.** Gebruik tijdens reparaties uitsluitend identieke vervangingsonderdelen.
32. **BERG EEN STOFZUIGER DIE NIET WORDT GEBRUIKT VEILIG OP.** Wanneer de stofzuiger niet wordt gebruikt, dient hij binnenshuis te worden opgeborgen.
33. Natte filters en het binnenste deel van het vloeistofreservoir moeten worden gedroogd voordat ze worden opgeborgen.
34. Behandel uw stofzuiger voorzichtig. Een ruwe behandeling kan leiden tot een defect van zelfs de meest stevig gebouwde stofzuiger.
35. Probeer niet de buitenkant of binnenkant van de stofzuiger schoon te maken met wasbenzine, thinner of schoonmaakmiddelen. Hierdoor kunnen barsten en verkleuringen ontstaan.
36. Gebruik de stofzuiger niet in een afgesloten ruimte waarin brandbare, explosieve of giftige dampen worden afgegeven door verf op olie-basis, thinner, benzine, bepaalde mottenbestrijdingsmiddelen, enz., of op plaatsen waar brandbaar stof aanwezig is.
37. Laat het netsnoer van de stofzuiger niet op de vloer slingeren nadat u klaar bent met stofzuigen. Het kan struikelgevaar opleveren of kan de stofzuiger beschadigen.
38. Gebruik dit of enig ander gereedschap niet wanneer u onder invloed bent van drugs of alcohol.
39. Als basisveiligheidsmaatregel gebruikt u een beschermende bril of veiligheidsbril met zijstukken.

40. **Gebruik een stofmasker onder stoffige werkomstandigheden.**
41. **Dit apparaat is niet bedoeld voor gebruik door personen, waaronder kinderen, met een verminderd lichamelijk, zintuiglijk of geestelijk vermogen, of gebrek aan kennis en ervaring.**
42. **Kinderen dienen onder toezicht te staan om ervoor te zorgen dat zij niet met de stofzuiger spelen.**
43. **Hanteer het netsnoer en de stofzuiger nooit met natte handen.**
44. **Wees bijzonder voorzichtig tijdens stofzuigen op een trap.**
45. **Gebruik de stofzuiger niet als een kruk of werkbank. Anders kan het apparaat vallen, waardoor persoonlijk letsel kan worden veroorzaakt.**

BEWAAR DEZE VOORSCHRIFTEN.

⚠ WAARSCHUWING:

Laat u **NIET** misleiden door een vals gevoel van comfort en bekendheid met het gereedschap (na veelvuldig gebruik) en neem alle veiligheidsvoorschriften van het betreffende gereedschap altijd strikt in acht. **VERKEERD GEBRUIK** of het niet naleven van de veiligheidsvoorschriften in deze gebruiksaanwijzing kan leiden tot ernstig letsel.

BESCHRIJVING VAN DE FUNCTIES

⚠ WAARSCHUWING:

- **Alvorens de stekker van de stofzuiger in het stopcontact te steken, controleert u altijd of de stofzuiger uitgeschakeld is.** Als u de stekker in het stopcontact steekt terwijl de stofzuiger ingeschakeld is, kan de stofzuiger onverwachts starten waardoor ernstig persoonlijk letsel kan ontstaan.

In- en uitschakelen (zie afb. 1)

Om de stofzuiger te starten, draait u de aan-uitschakelaar naar de stand "I". Om de stofzuiger te stoppen, draait u de aan-uitschakelaar naar de stand "O". De zuigkracht kan worden ingesteld aan de hand van de vereisten van uw werkzaamheden (zie afb. 2). De zuigkracht kan worden verhoogd door de zuigkrachttelknop te draaien van het symbool ↻ naar het symbool ↺.

Aansluiten van elektrisch gereedschap

⚠ WAARSCHUWING:

- Houd u aan de maximale aangesloten belasting van het stopcontact voor accessoires (raadpleeg de TECHNISCHE GEGEVENS).
- Controleer dat zowel de stofzuiger als het elektrisch gereedschap zijn uitgeschakeld voordat u aansluit of loskoppelt. Als u het elektrisch gereedschap aansluit op de stofzuiger terwijl beide zijn ingeschakeld, kunnen

deze onverwacht en plotseling starten waardoor ernstig persoonlijk letsel kan ontstaan.

Als een geaard gereedschap wordt aangesloten, steekt u een geaarde stekker in het stopcontact van de stofzuiger (zie afb. 3).

⚠ LET OP:

- Sluit nooit een elektrisch gereedschap met een hoger ingangsvermogen dan is opgegeven in de "TECHNISCHE GEGEVENS" aan op het stopcontact van de stofzuiger door de zuigkrachttelknop te draaien. Door een elektrisch gereedschap aan te sluiten met een hoger ingangsvermogen dan aangegeven, kan oververhitting en beschadiging van de stofzuiger worden veroorzaakt. Raadpleeg de technische gegevens om dit te voorkomen.

Op de stofzuiger kan een elektrisch gereedschap worden aangesloten tot het ingangsvermogen aangegeven in de "TECHNISCHE GEGEVENS".

Om een elektrisch gereedschap aan te sluiten, opent u het deksel en steekt u de stekker van het elektrisch gereedschap in het stopcontact van de stofzuiger. Draai de aan-uitschakelaar naar de stand "AUTO" (zie afb. 2).

Draai de zuigkrachttelknop naar de stand die geschikt is voor het ingangsvermogen van het elektrisch gereedschap dat u van plan bent te gaan gebruiken. Raadpleeg de TECHNISCHE GEGEVENS voor de relatie tussen de stand van de zuigkrachttelknop en het ingangsvermogen van het elektrisch gereedschap. Door het aangesloten elektrisch gereedschap in en uit te schakelen, zal tegelijkertijd de stofzuiger worden in- en uitgeschakeld. De stofzuiger werkt nog enkele seconden door nadat het elektrisch gereedschap is uitgeschakeld. Koppel na beruik het elektrisch gereedschap los van het stopcontact van de stofzuiger. Schakel de stofzuiger na gebruik uit.

Automatische zuigonderbreking tijdens zuigen

⚠ WAARSCHUWING:

- **Niet langdurig gebruiken terwijl de vlotter in werking is getreden.** Als u de stofzuiger langdurig gebruikt terwijl de vlotter in werking is getreden, kan oververhitting optreden waardoor de stofzuiger vervormd kan raken.
- **Geen schuim of zeepoplossingen opzuigen.** Door schuim of zeepoplossingen op te zuigen, kan er schuim uit de luchtuitlaat komen voordat de vlotter in werking treedt. Voortdurend gebruik onder deze omstandigheden, kan leiden tot een elektrische schok en het defect raken van de stofzuiger.

De stofzuiger heeft een vlottermechanisme dat voorkomt dat water doorstroomt naar de motor wanneer meer dan een bepaalde hoeveelheid water wordt opgezogen. Wanneer de tank vol is en de stofzuiger geen water meer opzuigt, schakelt u de stofzuiger uit en maakt u de tank leeg.

De klem aanbrengen (zie afb. 4)

Wanneer een elektrisch gereedschap is aangesloten, bevestigd u het netsnoer en de slang aan elkaar op een onderlinge afstand van 70 cm tot 80 cm met behulp van

de klemmen die bij de stofzuiger werden geleverd, zodat de slang en het netsnoer niet verstrikt raken.

Gebruik van de snoerwikkelaar

⚠ LET OP:

- **Let er bij het sluiten van de snoerwikkelaar op dat uw vingers niet ertussen komen.** Als u dat niet doet, kan dit leiden tot persoonlijk letsel.

OPMERKING:

- Oefen geen buitensporige kracht uit op de snoerwikkelaar. Door de buitensporige kracht kan de snoerwikkelaar worden beschadigd. Sluit de snoerwikkelaar als deze niet in gebruik is.

Door de snoerwikkelaar te openen kunt u deze als volgt gebruiken.

Het netsnoer opbergen

OPMERKING:

- **Gebruik de stofzuiger of een aangesloten elektrisch gereedschap niet terwijl het netsnoer op de snoerwikkelaar is gewikkeld.** Door de stofzuiger of het aangesloten elektrisch gereedschap te gebruiken terwijl het netsnoer op de snoerwikkelaar is gewikkeld, kan het netsnoer worden beschadigd (zie afb. 5).

De aansluitmonden opbergen

De aansluitmonden 22, 24 en 38 kunnen worden opgeborgen (maximaal twee tegelijkertijd) (zie afb. 6).

De slang opbergen (zie afb. 7).

Een elektrisch gereedschap van een redelijk formaat, zoals een cirkelzaag, opbergen in de snoerwikkelaar (zie afb. 8).

Het wieltje vergrendelen en ontgrendelen

Voor de modellen VC1310L en VC2510L (zie afb. 9)

Voor model VC3210L (zie afb. 10)

Om het wieltje te vergrendelen, drukt u de wielvergrendeling omlaag zodat het wieltje niet meer kan draaien. Om het wieltje te ontgrendelen, trekt u de wielvergrendeling omhoog.

Het wieltje vergrendelen is handig bij het opbergen van de stofzuiger, tijdens het halverwege stoppen van de werkzaamheden en het stil laten staan van de stofzuiger. Bedien de wielvergrendeling met de hand.

OPMERKING:

- Zorg er bij het verplaatsen van de stofzuiger voor dat het wieltje ontgrendeld is. Als u de stofzuiger verplaatst terwijl het wieltje vergrendeld is, kan het wieltje beschadigd raken.

DE ONDERDELEN MONTEREN

⚠ LET OP:

- Controleer altijd of de stofzuiger is uitgeschakeld en de stekker uit het stopcontact is getrokken alvorens enige werkzaamheden aan de stofzuiger uit te voeren.
- Draag altijd een stofmasker tijdens montage en onderhoud.

Het waterfilter aanbrengen (zie afb. 11)

Om water of nat stof op te zuigen, verwijdt u het voorfilter en de demper, en brengt u het waterfilter aan. Bij het aanbrengen van het waterfilter in de tank, plaatst u het waterfilter strak in de opening van de tank door de haak op het waterfilter stevig te laten aangrijpen in de tankopening zodat er geen ruimte zit tussen het waterfilter en de tank (zie afb. 12).

Zorg er bovendien voor bij het aanbrengen van het waterfilter dat de markeringen voor de plaatsingspositie zijn uitgelijnd.

OPMERKING:

- De modellen VC2510L en VC3210L hebben geen markeringen voor de plaatsingspositie en uitlijnen is niet nodig.

Een papieren stofzak plaatsen

⚠ WAARSCHUWING:

- Bij gebruik van een papieren stofzak, gebruikt u tevens het voorfilter dat af-fabriek in het gereedschap is aangebracht. Als u het voorfilter niet gebruikt, kan een abnormaal geluid en warmte worden veroorzaakt, waardoor brand kan ontstaan.

⚠ LET OP:

- Zuig nooit water of andere vloeistoffen of natte stof op wanneer de papieren stofzak is aangebracht. Als u dat toch doet, kan de papieren stofzak scheuren.
 1. Verwijder de rubberen houder (zie afb. 13).
 2. Vouw de papieren stofzak uit.
 3. Lijn de opening van de papieren stofzak uit met de zuigopening van de stofzuiger (zie afb. 14 en 15).
 4. Steek het kartonnen deel van de papieren stofzak zodanig in het gereedschap dat het aan het uiteinde zit, voorbij het uitsteeksel.

De buishouder aanbrengen (los verkrijgbaar)

Alleen voor model VC1310L

Duw de snoerhaak naar binnen, zoals aangegeven in de afbeelding (zie afb. 16).

Bevestig de buishouder op de snoerhaak. (De haken weggekeerd van het tankdeksel.)

Til de buishouder zo ver op dat de haken het tankdeksel raken en duw op gedeelte A van de buishouder (zie afb. 17).

Duw krachtig tegen gedeelte A en terwijl u tegen het gedeelte A drukt, schuift u de buishouder omlaag (zie afb. 18).

Pas de twee uitsteeksels van de buishouder in de groeven van het tankdeksel, en duw de buishouder vervolgens omlaag (zie afb. 19 en 20).

OPMERKING:

- Als de buishouder verder omlaag wordt geduwd dan de bedoeling is, kan hij niet worden aangebracht op de snoerhaak met de haak weggekeerd van het tankdeksel (zie afb. 21).

OPMERKING:

- Controleer of de twee haken van de buishouder stevig aan het tankdeksel zijn vastgehaakt (zie afb. 22).

De slang aansluiten

LET OP:

- Buig de slang niet sterk en ga er niet op staan. Verplaats de stofzuiger nooit door aan de slang te trekken. De slang sterk buigen, erop staan en eraan trekken kan ertoe leiden dat de slang kapot gaat of vervormd raakt.
- Bij het opzuigen van groot afval, zoals houtkrullen, betonstukjes en dergelijke, in plaats van klein afval, gebruikt u de slang met een binnendiameter van 38 mm (los verkrijgbaar). Als u de slang met een binnendiameter van 28 mm gebruikt, kan de slang verstopt en beschadigd raken.

Steek de slang in de aansluitopening van de tank en draai hem rechtsom tot hij wordt vergrendeld (**zie afb. 23**).

De polyethyleenzak aanbrengen

De stofzuiger kan ook worden gebruikt met een polyethyleenzak. Door het gebruik van een polyethyleenzak is het gemakkelijker de tank te legen zonder uw handen vuil te maken.

Spreid de polyethyleenzak uit in de binnenkant van de tank. Steek de rand van de polyethyleenzak tussen de houderplaat en de wand van de tank en trek hem rond de inlaatopening van de slang (**zie afb. 24**).

Sreid de polyethyleenzak rond de bovenrand van de tank. Haak de andere zijde van de polyethyleenzak rond de bovenrand van de tank zodat de haak van het voorfilter kan aangrijpen en stevig kan vergrendelen (**zie afb. 25**).

OPMERKING:

- Een polyethyleenzak die in de winkel verkrijgbaar is, kan worden gebruikt. Een polyethyleenzak van 0,04 mm of dikker wordt aanbevolen.
- Door te veel stof kan de polyethyleenzak gemakkelijk scheuren, dus vul de zak niet tot meer dan de helft van zijn maximale inhoud.

De polyethyleenzak legen

WAARSCHUWING:

- Zorg er altijd voor dat de stofzuiger is uitgeschakeld en de stekker uit het stopcontact is getrokken alvorens de polyethyleenzak te legen. Als u dat niet doet, kan een elektrische schok en ernstig persoonlijk letsel worden veroorzaakt.

LET OP:

- Stel het poederfilter en de tank niet bloot aan sterke stoten. Sterk stoten kan leiden tot vervormingen en beschadigingen van het poederfilter en de tank.
- Leeg de tank ten minste eenmaal per dag, afhankelijk van de hoeveelheid opgezogen stof in de tank. Anders zal de zuigkracht afnemen en kan de motor kapot gaan.
- Pak niet de haak beet wanneer u de tank wilt legen. Als u de haak vastpakt, kan deze afbreken.

Maak de haken los en til het tankdeksel eraf (**zie afb. 26**). Schud het stof van het poederfilter, de demper en het voorfilter af en haal vervolgens de polyethyleenzak uit de tank (**zie afb. 27**).

OPMERKING:

- Haal bij het legen de polyethyleenzak voorzichtig uit de tank zodat de polyethyleenzak niet kan vasthaken achter de uitsteeksels binnenin de tank.
- Leeg de polyethyleenzak voordat deze volraakt. Te veel stof in de tank kan ertoe leiden dat de polyethyleenzak scheurt.

Het poederfilter aanbrengen (voor droog stof) (zie afb. 11)

Plaats het voorfilter in de tank.

Plaats vervolgens de demper om het poederfilter en plaats deze vervolgens in het voorfilter.

Bij het aanbrengen van het poederfilter en voorfilter, moet de markering voor de plaatsingspositie van elk uitgelijnd zijn met die langs de bovenrand van de tank.

Breng ten slotte het tankdeksel weer aan.

OPMERKING:

- De modellen VC2510L en VC3210L hebben geen markeringen voor de plaatsingspositie en uitlijnen is niet nodig.
- Alvorens het poederfilter te gebruiken, zorgt u er voor dat het voorfilter en de demper altijd tegelijkertijd worden gebruikt. Het is niet toegestaan alleen het voorfilter te gebruiken.
- Alvorens de papieren zak te gebruiken, zorgt u er voor dat het poederfilter, de demper en het voorfilter altijd tegelijkertijd worden gebruikt.

Het poederfilter aanbrengen (HEPA)

Optioneel accessoire, alleen leverbaar voor de modellen

VC2510L en VC3210L (zie afb. 28)

Om het poederfilter (HEPA) te gebruiken, verwijdert u de vlotterkooi en de vlotter door de bouten te verwijderen. Volg daarna de procedure in het tekstdeel "Het poederfilter aanbrengen (voor droog stof)"

De stofzuiger dragen (zie afb. 29)

Als u de stofzuiger draagt, draagt u deze aan het handvat op de bovenkant van het tankdeksel, zoals aangegeven in de afbeelding. Het handvat kan in de bovenkant van het tankdeksel worden geklapt.

ONDERHOUD

LET OP:

- Zorg er altijd voor dat het gereedschap is uitgeschakeld en de stekker uit het stopcontact is getrokken, voordat u een inspectie of onderhoud uitvoert.

Het netsnoer opbergen

Alleen voor model VC1310L (zie afb. 30 en 31)

Trek de snoerhaak naar buiten of open de snoerwikkelaar. Wikkel het netsnoer op en hang het aan de snoerhaak, of wikkel het netsnoer om de snoerwikkelaar.

OPMERKING:

- Trek het netsnoer niet met kracht van de snoerhaak af wanneer u het wilt gebruiken. Als u het netsnoer met

kracht van de snoerhaak afhaalt, kan het netsnoer worden beschadigd.

Voor de modellen VC2510L en VC3210L (zie afb. 32 en 33)

Wikkel het netsnoer om de snoerwikkelaar.

Accessoires opbergen

OPMERKING:

- Oefen geen buitensporige kracht uit op de accessoires die op de buishouder zijn geplaatst. Als een buitensporige kracht op deze accessoires wordt uitgeoefend, kan de buishouder worden beschadigd.

Alleen voor model VC1310L (zie afb. 34)

De buishouder kan worden gebruikt om de rechte buis, de gebogen buis, het hoekmondstuk en dergelijke op te bergen door deze accessoires erop te steken.

De buizen kunnen ook gedurende een pauze in de werkzaamheden op de buishouder worden gestoken (zie afb. 35).

Voor de modellen VC2510L en VC3210L (zie afb. 36)

De buisgaten kunnen worden gebruikt om de rechte buis, de gebogen buis en dergelijke op te bergen door deze accessoires erin te steken (zie afb. 37).

De buizen kunnen ook gedurende een pauze in de werkzaamheden op de buishouder worden gestoken.

Schoonmaken

LET OP:

- Gebruik nooit benzine, wasbenzine, thinner, alcohol, enz. Dit kan leiden tot verkleuren, vervormen of barsten.

Een verstopt poederfilter, demper en voorfilter leiden tot een slechte zuigwerking (zie afb. 38).

Reinig de filters en de demper regelmatig.

Om stof en deeltjes die zich aan de filters hechten te verwijderen, schudt u de onderrand van de filters enkele keren snel heen en weer.

Was het poederfilter af en toe in water, spoel schoon en droog grondig in de schaduw alvorens het weer te gebruiken. Was de filters nooit in een wasmachine (zie afb. 39).

OPMERKING:

- Wrijf en kras niet met harde voorwerpen, zoals een borstel of een spatel, over het poederfilter, de demper of het voorfilter.
- De filters zijn verbruiksartikelen en wij adviseren u enkele vervangingsfilters op voorraad te houden.

Om de VEILIGHEID en BETROUWBAARHEID van het gereedschap te handhaven, dienen alle reparaties, onderhoud en afstellingen te worden uitgevoerd door een erkend Makita-servicecentrum, en altijd met gebruikmaking van originele Makita-vervangingsonderdelen.

VERKRIJGBARE ACCESSOIRES

LET OP:

- Deze accessoires of hulpstukken worden aanbevolen voor gebruik met het Makita-gereedschap dat in deze gebruiksaanwijzing wordt beschreven. Het gebruik van andere accessoires of hulpstukken kan gevaar voor

persoonlijk letsel opleveren. Gebruik de accessoires of hulpstukken uitsluitend voor de aangegeven gebruiksdoeleinden.

Mocht u meer informatie willen hebben over deze accessoires, dan kunt u contact opnemen met uw plaatselijke Makita-servicecentrum.

- Slang
- Aansluitmonden (22, 24, 38)
- Rechte buis
- Hoekmondstuk
- Ronde borstel
- Poederfilter (voor droog type)
- Demper
- Voorfilter
- Mondstuk, compleet
- Gebogen buis
- Polyethyleenzak
- Filter (voor water)
- Papieren stofzak
- Houderzet
- Buishouder (alleen voor model VC1310L)
- Poederfilter (HEPA) (voor modellen VC2510L en VC3210L)

OPMERKING:

- Sommige items op de lijst kunnen zijn inbegrepen in de doos van het gereedschap als standaard toebehoren. Zij kunnen van land tot land verschillen.

Geluid

ENG905-1

De typische, A-gewogen geluidsniveaus zijn gemeten volgens IEC60335-2-69:

Model VC1310L

Geluidsdruk niveau (L_{pA}): 72 dB (A)

Onzekerheid (K): 2,5 dB (A)

Het geluidsniveau kan tijdens gebruik hoger worden dan 80 dB (A).

Modellen VC2510L en VC3210L

Geluidsdruk niveau (L_{pA}): 73 dB (A)

Onzekerheid (K): 2,5 dB (A)

Het geluidsniveau kan tijdens gebruik hoger worden dan 80 dB (A).

Draag gehoorbescherming.

Trillingen

ENG900-1

De totale trillingswaarde (triaxiale vectorsom) zoals vastgesteld volgens IEC60335-2-69:

De emissietrillingswaarde is lager dan 2,5 m/s².

EU-verklaring van conformiteit

Alleen voor Europese landen

De EU-verklaring van conformiteit is opgenomen als Bijlage A in deze instructiehandleiding.

ESPAÑOL (Instrucciones originales)



ADVERTENCIA

- Esta máquina no ha sido prevista para ser utilizada por personas (incluidos niños) con capacidades físicas, sensoriales o mentales reducidas, o falta de experiencia y conocimiento.
- Los niños pequeños deberán ser supervisados para asegurarse de que no juegan con la aspiradora.
- Si el cable suministrado se daña, deberá ser reemplazado en un taller de servicio autorizado.
- Consulte el capítulo "MANTENIMIENTO" para ver los detalles apropiados de las precauciones durante el mantenimiento hecho por el usuario.

Explicación de los dibujos

- | | | |
|--|---|-----------------------------------|
| 1. Mando de ajuste de la fuerza de succión | 14. Filtro de polvo | 28. Saliente del soporte del tubo |
| 2. Palanca del interruptor | 15. Amortiguador | 29. Ranura |
| 3. Tapa | 16. Filtro previo | 30. Gancho |
| 4. Cable de alimentación eléctrica | 17. Depósito | 31. Placa de soporte |
| 5. Soporte | 18. Marca de posición de montaje | 32. Bolsa de polietileno |
| 6. Gancho de la base | 19. Filtro de agua | 33. Flotador |
| 7. Manguitos frontales | 20. Soporte de goma | 34. Cuba del flotador |
| 8. Manguera | 21. Bolsa de papel | 35. Asidero |
| 9. Rueda | 22. Gancho del cable | 36. Cabezal |
| 10. Palanca de bloqueo | 23. Pulse | 37. Gancho del cable |
| 11. Posición libre | 24. Soporte del tubo | 38. Tubo recto |
| 12. Posición de bloqueo | 25. Sección A | 39. Boquilla para esquinas |
| 13. Cubierta del depósito | 26. Ganchos | 40. Tope |
| | 27. Presione ejerciendo fuerza y bájelo | |

ESPECIFICACIONES

| Modelo | | VC1310L / VC2510L / VC3210L | | | | | |
|---|---|-----------------------------|-----------|---------|-----------|-------|-----------|
| | | UE | AU/NZ | GB 110V | GB 230V | CL | AR/CH |
| Voltaje | Voltios | 230 - 240 | 230 - 240 | 110 | 230 - 240 | 220 | 230 - 240 |
| Consumo de energía | Vatios | 1.050 | 1.050 | 1.050 | 1.050 | 1.050 | 1.050 |
| Carga con conexión para la toma del aparato | Vatios con el modo de símbolo  | 2.400 | 1.200 | 600 | 1.900 | 2.200 | 1.100 |
| Carga con conexión para la toma del aparato | Vatios con el modo de símbolo  | 2.600 | 1.400 | 850 | 2.100 | 2.500 | 1.400 |
| Carga conectada total | Vatios | 3.450 | 2.250 | 1.650 | 2.950 | 3.250 | 2.150 |

| Modelo | | VC1310L | VC2510L | VC3210L |
|------------------------------------|-------|----------------------------------|--------------------------|--------------------------|
| Flujo de volumen (aire) | | 2,0 m³/min | | |
| Vacío | | 22 kPa | | |
| Clase de protección | | 1 | | |
| Tipo de protección | | IP X4 (a prueba de salpicaduras) | | |
| Capacidad de recuperación | Polvo | 13 L | 25 L | 32 L |
| | Agua | 7 L | 14 L | 27 L |
| Dimensiones (Largo x Ancho x Alto) | | 366 mm x 334 mm x 420 mm | 432 mm x 416 mm x 451 mm | 552 mm x 398 mm x 685 mm |
| Peso neto | | 9,6 kg | 10,5 kg | 14,5 kg |

- Debido a nuestro programa continuo de investigación y desarrollo, las especificaciones aquí descritas están sujetas a cambios sin previo aviso.
- Las especificaciones pueden ser diferentes de un país a otro.
- El peso no incluye accesorios.

Símbolos

END108-7

Se utilizan los siguientes símbolos para el equipo. Asegúrese de que comprende su significado antes del uso.



..... Lea el manual de instrucciones.



..... Preste cuidado y atención especiales.



..... Advertencia La aspiradora puede contener polvo peligroso.



..... Nunca permanezca encima de la aspiradora.



..... Polvo de clase L (ligero). Las aspiradoras son capaces de recoger polvo de clase L. Siga los reglamentos de su país en relación con el polvo y la salud y seguridad laborales.



..... Sólo para países de la Unión Europea Debido a la presencia de componentes peligrosos en el equipo, el equipo eléctrico y electrónico desechado puede tener un impacto negativo para el medioambiente y la salud humana. ¡No tire los aparatos eléctricos y electrónicos junto con los residuos domésticos!
De conformidad con las Directivas Europeas sobre residuos de aparatos eléctricos y electrónicos, y su adaptación a la ley nacional, el equipo eléctrico y electrónico desechado deberá ser recogido por separado y trasladado a un punto distinto de recogida de desechos municipales, que cumpla con los reglamentos de protección medioambiental.
Esto se indica mediante el símbolo de cubo de basura tachado colocado en el equipo.

Uso previsto

ENE084-1

La herramienta se ha diseñado para recoger polvo húmedo y seco. Esta herramienta es adecuada para un uso comercial, por ejemplo en hoteles, escuelas, hospitales, fábricas, tiendas, oficinas y negocios de alquiler.

Alimentación

ENF001-1

La herramienta debe conectarse solamente a una fuente de alimentación de la misma tensión que la indicada en la placa de características, y sólo puede funcionar con corriente alterna monofásica. Esta herramienta debe estar conectada a tierra (a masa) durante su uso para proteger al operario de descargas eléctricas. Utilice sólo cables prolongadores de tres hilos que tengan enchufes con conexión a tierra de tres clavijas y receptáculos de tres clavijas que admitan el enchufe de la herramienta.

ADVERTENCIAS DE SEGURIDAD PARA LA ASPIRADORA

ENB119-6



ADVERTENCIA: ¡IMPORTANTE! LEA CON ATENCIÓN todas las advertencias de seguridad y todas las instrucciones ANTES DE UTILIZAR. No seguir las advertencias e instrucciones puede resultar en una descarga eléctrica, un incendio y/o heridas graves.

1. **Antes de utilizar, asegúrese de que esta aspiradora sea utilizada por personas que han sido instruidas adecuadamente sobre cómo usar esta aspiradora.**
2. **Antes de utilizar, a los operarios se les deberá proveer información, instrucciones y adiestramiento para la utilización de la máquina y las sustancias para las que se va a utilizar, incluyendo el método seguro de remoción y desecho del material recogido.**
3. **Utilice la toma de corriente de la aspiradora solamente para propósitos especificados en las instrucciones.**
4. **Si emerge espuma/líquido, apague inmediatamente.**
5. **Limpie el dispositivo de limitación del nivel de agua regularmente y examínelo por si hay señales de daños.**
6. **No utilice la aspiradora sin el filtro. Reemplace un filtro dañado inmediatamente.**
7. **UTILIZACIÓN DE CABLE DE EXTENSIÓN.** Cuando utilice un cable de extensión debido a la gran distancia hasta la fuente de alimentación, intente utilizar un cable que sea suficientemente grueso pero no demasiado largo, o de lo contrario el rendimiento de la aspiradora se verá afectado adversamente. Para aplicaciones en exteriores utilice un cable de extensión apropiado para uso en exteriores.
8. **ADVERTENCIA SOBRE LA TENSIÓN:** Antes de conectar la aspiradora a una fuente de alimentación (enchufe, toma de corriente, etc.), asegúrese de que la tensión suministrada es la misma que la especificada en la placa de características de la aspiradora. Una fuente de alimentación con una tensión mayor que la especificada para la aspiradora puede resultar en **HERIDAS GRAVES** al operario, así como también daños a la aspiradora. Si tiene dudas, **NO ENCHUFE LA ASPIRADORA.** La utilización de una fuente de alimentación con una tensión menor que la nominal indicada en la placa de características es perjudicial para el motor.
9. **EVITE UNA PUESTA EN MARCHA INVOLUNTARIA.** Asegúrese de que el interruptor está desactivado cuando vaya a enchufar.
10. **No intente recoger materiales inflamables, fuegos de artificio, cigarrillos encendidos, cenizas calientes, virutas metálicas calientes, materiales cortantes como cuchillas de afeitar, agujas, cristales rotos o similares.**
11. **NO UTILICE NUNCA LA ASPIRADORA CERCA DE GASOLINA, GAS, PINTURA, ADHESIVOS U OTRAS SUSTANCIAS ALTAMENTE EXPLOSIVAS.** El interruptor emite chispas cuando se activa y desactiva. Y también lo hace el conmutador del

- motor durante la operación. Puede resultar en una peligrosa explosión.
12. Nunca aspire materiales tóxicos, cancerígenos, combustibles u otros materiales peligrosos como asbestos, arsénico, bario, berilio, plomo, pesticidas, u otros materiales que puedan poner en peligro la salud.
 13. Ponga siempre la aspiradora sobre una superficie horizontal plana para evitar que se caiga o se mueva accidentalmente.
 14. No utilice nunca la aspiradora en exteriores bajo la lluvia.
 15. Para Finlandia, esta máquina no es para ser usada en exteriores con temperatura baja.
 16. No utilice cerca de fuentes de calor (estufas, etc.).
 17. Si el aire expulsado es devuelto a la habitación, será necesario proveer un régimen adecuado de cambio de aire en la habitación. Consultar las normativas nacionales es necesario.
 18. **PROTÉJASE CONTRA LAS DESCARGAS ELÉCTRICAS.** Evite el contacto de su cuerpo con superficies conectadas a tierra. Por ejemplo; tuberías, radiadores, hornos, cerramientos de refrigeradores.
 19. No bloquee las aberturas de enfriamiento. Estas aberturas permite el enfriamiento del motor. Deberá evitarse con cuidado que no se bloqueen, de lo contrario el motor se quemará por falta de ventilación.
 20. Mantenga los pies sobre suelo firme y el equilibrio en todo momento.
 21. **NO HAGA MAL USO DEL CABLE.** No transporte nunca la aspiradora tirando del cable ni tire de él con fuerza para desconectarlo del enchufe. Mantenga el cable alejado de calor, aceite, y bordes cortantes. Inspeccione los cables de la aspiradora periódicamente y si están dañados, pida a un taller de servicio autorizado que se los reparen. Inspeccione los cables de extensión periódicamente y reemplácelos si están dañados.
 22. No doble, pise o tire con fuerza de la manguera.
 23. Detenga la aspiradora inmediatamente si nota un mal rendimiento o algo anormal durante la operación.
 24. **DESCONECTE LA ASPIRADORA.** Cuando no esté siendo utilizada, antes de realizar mantenimiento, y cuando cambie accesorios.
 25. Limpie y haga el mantenimiento a la aspiradora inmediatamente después de cada utilización para mantenerla en las mejores condiciones de operación.
 26. **MANTENGA LA ASPIRADORA CON CUIDADO.** Mantenga la aspiradora limpia para obtener un mejor y más seguro rendimiento. Siga las instrucciones cuando cambie accesorios. Mantenga los asideros secos, limpios y libres de aceite y grasa.
 27. **COMPRUEBE LAS PARTES DAÑADAS.** Antes de seguir utilizando la aspiradora, un protector o cualquier otra parte que se haya dañado deberá inspeccionarse cuidadosamente para determinar que funcionará debidamente y que realizará la función para la que ha sido previsto. Compruebe la alineación de las partes móviles, la unión de las partes móviles, rotura de partes, montaje, y cualquier otra condición que pueda afectar a su operación. Un protector o cualquier otra parte que se haya dañado deberá repararse o reemplazarse debidamente en un centro de servicio autorizado a menos que se indique otra cosa en algún otro sitio en este manual de instrucciones. Pida a un centro de servicio autorizado que le reemplacen los interruptores defectuosos. No utilice la aspiradora si el interruptor no la enciende y apaga.
 28. Para el servicio hecho por el usuario, hay que desmontar, limpiar y hacer el servicio a la máquina, hasta el punto que sea razonablemente factible, sin causar riesgo al personal de mantenimiento ni a otros.
 29. La máquina deberá ser inspeccionada técnicamente por el fabricante, o una persona adiestrada, al menos una vez al año, consistiendo en, por ejemplo, inspección de los filtros por si están dañados, hermeticidad de la máquina y funcionamiento apropiado del mecanismo de control.
 30. Cuando realice operaciones de servicio de mantenimiento o reparación, todos los elementos contaminados que no se puedan limpiar satisfactoriamente deberán ser desechados; tales elementos deberán ser desechados en bolsas impenetrables de acuerdo con cualquier reglamento actual para el desecho de dichos residuos.
 31. **PIEZAS DE REPUESTO.** Cuando haga el mantenimiento, utilice solamente piezas de repuesto idénticas.
 32. **GUARDE LA ASPIRADORA SI NO LA ESTÁ UTILIZANDO.** Cuando no esté siendo utilizada, la aspiradora deberá estar guardada en interiores.
 33. Los filtros mojados y la parte interior del contenedor de líquido deberán ser secados antes de almacenar.
 34. Sea amable con su aspiradora. Un manejo brusco puede ocasionar la rotura de incluso la aspiradora más robusta.
 35. No intente limpiar el interior o exterior con bencina, diluyente o productos químicos de limpieza. Podrá ocasionar grietas o decoloración.
 36. No utilice la aspiradora en un espacio cerrado donde puedan desprenderse vapores inflamables, explosivos o tóxicos de pintura a base de aceite, disolventes de pintura, gasolina, algunas substancias contra las polillas, etc., o en áreas donde haya polvo inflamable.
 37. No deje el cable de la aspiradora tirado en el suelo después de que haya terminado un trabajo de limpieza. Puede convertirse en un riesgo de tropiezo o podrá ocasionar daños a la aspiradora.
 38. No opere esta o cualquier otra herramienta bajo la influencia de drogas o alcohol.
 39. Como norma básica de seguridad, utilice gafas de protección o gafas de seguridad con escudos laterales.
 40. Utilice una máscara contra el polvo en condiciones de trabajo polvorientas.
 41. Esta máquina no ha sido prevista para ser utilizada por personas (incluidos niños) con

capacidades físicas, sensoriales o mentales reducidas, o falta de experiencia y conocimiento.

42. Los niños pequeños deberán ser supervisados para asegurarse de que no juegan con la aspiradora.
43. No maneje nunca la clavija del cable o la aspiradora con las manos mojadas.
44. Tenga mucho cuidado cuando limpie en escaleras.
45. No utilice la aspiradora como taburete o mesa de trabajo. La máquina podrá caerse y resultar en heridas personales.

GUARDE ESTAS INSTRUCCIONES.

⚠ ADVERTENCIA:

NO deje que la comodidad o familiaridad con el producto (a base de utilizarlo repetidamente) sustituya la estricta observancia de las normas de seguridad para el producto en cuestión. El MAL USO o el no seguir las normas de seguridad establecidas en este manual de instrucciones podrá ocasionar heridas personales graves.

DESCRIPCIÓN DEL FUNCIONAMIENTO

⚠ ADVERTENCIA:

- Antes de enchufar la aspiradora, asegúrese siempre de que la aspiradora esté apagada. Si enchufa la aspiradora con el interruptor encendido, puede provocar una puesta en marcha inesperada que puede provocar graves lesiones personales.

Accionamiento del interruptor (Fig. 1)

Para poner la aspiradora en marcha, ponga la palanca del interruptor en el lado "I". Para detenerla, ponga la palanca del interruptor en el lado "O".

La potencia de succión se puede ajustar en función de sus necesidades de trabajo. (Fig. 2)

La potencia de succión se puede aumentar girando el mando de ajuste de la fuerza de succión desde el símbolo ⇐ hasta el símbolo ⇨.

Conexión de herramientas eléctricas

⚠ ADVERTENCIA:

- Respete las cargas conectadas máximas para la toma de corriente (consulte las ESPECIFICACIONES.)
- Asegúrese de que la aspiradora y la herramienta eléctrica estén apagadas antes de conectarlas o desconectarlas. La conexión de la herramienta eléctrica a la aspiradora con ambas encendidas puede provocar una puesta en marcha accidental y repentina que puede provocar graves lesiones personales.

Cuando conecte una herramienta con conexión a tierra, inserte un enchufe con una placa de conexión a tierra en la toma de corriente de la aspiradora. (Fig. 3)

⚠ PRECAUCIÓN:

- Nunca conecte una herramienta eléctrica con una potencia de entrada que exceda la especificada en las "ESPECIFICACIONES" de la toma de corriente de la

aspiradora girando el mando de ajuste de la fuerza de succión. La conexión de una herramienta eléctrica que exceda la potencia de entrada especificada puede provocar un sobrecalentamiento y daños en la aspiradora. Consulte las especificaciones para evitarlo.

La aspiradora se puede conectar a una herramienta eléctrica hasta la potencia de entrada que se muestra en las "ESPECIFICACIONES".

Para conectar una herramienta eléctrica, abra la tapa e inserte el enchufe de la herramienta eléctrica en la toma de corriente de la aspiradora.

Gire la palanca del interruptor hasta la posición "AUTO".

(Fig. 2)

Mueva el mando de ajuste de la fuerza de succión hasta la posición adecuada para la potencia de entrada de la herramienta eléctrica que piensa utilizar. Consulte en las ESPECIFICACIONES la relación entre el mando de ajuste de la fuerza de succión y la potencia de entrada de la herramienta eléctrica.

Al encender o apagar la herramienta eléctrica se enciende o se apaga simultáneamente la aspiradora. La aspiradora sigue funcionando durante unos segundos incluso después de apagar la herramienta eléctrica.

Tras su uso, desconecte la herramienta eléctrica de la toma de corriente de la aspiradora.

Apague la aspiradora tras su uso.

Detención de la succión automática durante la operación

⚠ ADVERTENCIA:

- **No la utilice durante un período de tiempo prolongado cuando el flotador esté activado.** El uso de la aspiradora con el flotador activado durante un período prolongado de tiempo puede causar sobrecalentamiento, lo que tendría como resultado la deformación de la aspiradora.
- **No aspire espuma o jabón líquido.** Si aspira espuma o jabón líquido puede salir espuma por la salida de aire antes de que el flotador entre en funcionamiento. La prolongación del uso en este estado puede provocar una descarga eléctrica y la rotura de la aspiradora.

La aspiradora tiene un mecanismo de flotador que impide que el agua inunde el motor cuando se recoge más de una cierta cantidad de agua.

Cuando el depósito esté lleno y la aspiradora ya no recoja agua, apague la aspiradora y vacíe el depósito.

Instalación del soporte (Fig. 4)

Cuando conecte una herramienta eléctrica, fije el cable de alimentación y la manguera usando los soportes a 70 cm - 80 cm de distancia entre los soportes que se proporcionan con la aspiradora de forma que la manguera no se enrede con el cable de la fuente de alimentación.

Uso del gancho de la base

⚠ PRECAUCIÓN:

- **Tenga cuidado de que sus dedos no queden atrapados cuando cierre el gancho de la base.** De lo contrario, puede sufrir lesiones personales.

NOTA:

- No aplique una fuerza excesiva al gancho de la base. Una fuerza excesiva en el gancho de la base puede dañarlo. Cierre el gancho de la base cuando no se utilice.

La apertura del gancho de la base permite el siguiente uso.

Almacenamiento del cable de alimentación

NOTA:

- **No utilice la aspiradora o una herramienta eléctrica conectada con un cable de alimentación atado al gancho de la base.** El uso de la aspiradora o de la herramienta eléctrica conectada con el cable de alimentación puede provocar daños en el cable de alimentación. (Fig. 5)

Almacenamiento de los manguitos frontales

Se pueden almacenar los manguitos frontales 22, 24 y 38 (dos cada vez.) (Fig. 6)

Almacenamiento de la manguera (Fig. 7)

Reposo de una herramienta eléctrica de tamaño razonable para el gancho de la base, como una sierra circular. (Fig. 8)

Bloqueo o desbloqueo de la rueda

Para los modelos VC1310L y VC2510L (Fig. 9)

Para el modelo VC3210L (Fig. 10)

Para bloquear la rueda con un tope, baje la palanca de bloqueo y la rueda dejará de girar. Para liberar la rueda de la posición de bloqueo levante la palanca de bloqueo. El bloqueo de la rueda es útil cuando se almacena la aspiradora, se detiene el trabajo y se mantiene la aspiradora quieta.

Para utilizar el tope, muévelo a mano.

NOTA:

- Cuando mueva la aspiradora asegúrese de que la rueda esté desbloqueada. El desplazamiento de la aspiradora con la rueda en la posición de bloqueo puede dañar la rueda.

MONTAJE

⚠ PRECAUCIÓN:

- Asegúrese siempre de que la aspiradora esté apagada y desenchufada antes de intentar realizar cualquier trabajo en ella.
- Póngase siempre máscara contra el polvo durante el montaje o el mantenimiento.

Instalación del filtro de agua (Fig. 11)

Para recoger agua o polvo húmedo, retire el filtro previo y el amortiguador y utilice un filtro de agua.

Cuando instale el filtro de agua en el depósito, ajústelo apretado a la abertura del depósito de forma que el gancho del filtro de agua se acople a la abertura del depósito firmemente y no haya espacio entre el filtro de agua y el depósito. (Fig. 12)

Asimismo, instale el filtro de agua de forma que se pueda alinear la marca de la posición de montaje.

NOTA:

- Los modelos VC2510L y VC3210L no tienen ninguna marca de posición de montaje y no necesitan alinearla.

Instalación de la bolsa de papel

⚠ ADVERTENCIA:

- Cuando utilice la bolsa de papel, utilice también el filtro previo que está preinstalado en la herramienta. Si no se utiliza el filtro previo de forma conjunta se pueden provocar ruidos y calor inusuales y se puede provocar un incendio.

⚠ PRECAUCIÓN:

- Nunca recoja agua u otros líquidos o polvos húmedos cuando utilice la bolsa de papel. La recogida de esas sustancias puede provocar la rotura de la bolsa de papel.
1. Extraiga el soporte de goma. (Fig. 13)
 2. Extienda la bolsa de papel.
 3. Alinee la abertura de la bolsa de papel con la abertura de succión de polvo de la aspiradora. (Fig. 14 y 15)
 4. Inserte el cartón de la bolsa de papel en la parte superior de forma que quede colocado en el extremo que está más allá del saliente de marca.

Instalación del soporte del tubo (accesorio opcional)

Para el modelo VC1310L solamente

Ejercer presión sobre el gancho del cable como se muestra en la figura. (Fig. 16)

Acople el soporte del tubo al gancho del cable. (Los ganchos están apartados de la cubierta del depósito.) Levante el soporte del tubo de forma que los ganchos entren en contacto con la cubierta del depósito y pulse la sección A del soporte del tubo. (Fig. 17)

Pulse la sección A con gran fuerza y, ejerciendo presión sobre la sección A, baje el soporte del tubo. (Fig. 18)

Encaje los dos salientes del soporte del tubo en las ranuras de la cubierta del depósito y ejerza presión sobre el soporte del tubo. (Fig. 19 y 20)

NOTA:

- El soporte del tubo que está más bajado de la posición prevista no se puede instalar en el gancho del cable con el gancho alejado de la cubierta del depósito como se muestra en la figura. (Fig. 21)

NOTA:

- Asegúrese de que los dos ganchos del soporte del tubo estén enganchados en la cubierta del depósito de forma segura. (Fig. 22)

Conexión de una manguera

⚠ PRECAUCIÓN:

- Nunca fuerce la manguera para doblarla o fijarla. Nunca mueva la aspiradora por una manguera. Forzar la manguera, golpearla o tirar de ella puede provocar una rotura o una deformación de la misma.
- Cuando recoja residuos de gran tamaño, como virutas de una cepilladora, polvo de hormigón u otros residuos similares que no sean pequeños, use la manguera de 38 mm de diámetro interior (accesorio opcional). El uso de la manguera de 28 mm de diámetro interior puede provocar atascos en la manguera y daños.

Inserte la manguera en el puerto de montaje del depósito y gírela en el sentido de las agujas del reloj hasta que se bloquee. (Fig. 23)

Instalación de la bolsa de polietileno

La aspiradora también se puede usar sin una bolsa de polietileno. No obstante, si se usa una bolsa de polietileno resulta más fácil vaciar el depósito sin ensuciarse las manos.

Despliegue la bolsa de polietileno en el depósito.

Insértela entre la placa del soporte y el depósito y tire de ella hacia la entrada de la manguera. (Fig. 24)

Despliegue la bolsa por la parte superior del depósito.

Enganche el otro extremo de la bolsa alrededor de la parte superior del depósito de forma que el gancho del filtro previo pueda atraparla y sujetarla de forma segura. (Fig. 25)

NOTA:

- Se pueden utilizar bolsas de polietileno disponibles comercialmente. Se recomienda una de 0,04 mm o de un grosor superior.
- Demasiado polvo romperá la bolsa fácilmente, así que no recoja más polvo del que cabe en la mitad de la bolsa.

Vaciado de la bolsa de polietileno

⚠ ADVERTENCIA:

- Asegúrese siempre de que la aspiradora esté apagada y desenchufada antes de vaciar la bolsa de polietileno. En caso contrario, se puede producir una descarga eléctrica y graves lesiones personales.

⚠ PRECAUCIÓN:

- No ejerza una gran fuerza sobre el filtro de polvo y el depósito. Si aplica una gran fuerza se pueden provocar deformaciones y se pueden dañar el filtro de polvo y el depósito.
- Vacíe el depósito como mínimo una vez al día, aunque esto depende del volumen de polvo recogido en el depósito. O bien, la fuerza de succión se debilitará y el motor puede romperse.
- No coja el gancho cuando vacíe el depósito. Si coge el gancho puede hacer que se rompa.

Desenganche y levante la cubierta del depósito. (Fig. 26)

Sacuda el polvo del filtro de polvo, el amortiguador y el filtro previo y después saque la bolsa de polietileno del depósito. (Fig. 27)

NOTA:

- Saque con mucho cuidado la bolsa de polietileno del depósito de forma que la bolsa de polietileno no pueda quedar atrapada ni se pueda romper dentro del depósito cuando la vacíe.
- Vacíe la bolsa de polietileno antes de que esté llena. Demasiado polvo en el depósito puede provocar que la bolsa de polietileno se rompa.

Instalación del filtro de polvo (para polvo seco) (Fig. 11)

Coloque el filtro previo en el depósito.

A continuación, monte el amortiguador en el filtro de polvo y después coloque el filtro previo.

Cuando instale el filtro de polvo y el filtro previo, la marca de posición de montaje de cada uno se alineará con la de la parte superior del depósito.

Finalmente, monte la cubierta del depósito.

NOTA:

- Los modelos VC2510L y VC3210L no tienen ninguna marca de posición de montaje y no necesitan alinearla.
- Antes de utilizar el filtro de polvo, asegúrese de que el filtro previo y el amortiguador siempre se utilicen juntos. No se permite instalar solamente el filtro de polvo.
- Antes de utilizar la bolsa de papel, asegúrese de que el filtro de polvo, el amortiguador y el filtro previo siempre se utilicen juntos.

Instalación del filtro de polvo (HEPA)

Accesorio opcional, disponible solo para los modelos VC2510L y VC3210L (Fig. 28)

Para utilizar el filtro de polvo (HEPA), retire la cuba del flotador y el flotador extrayendo los pernos. A continuación, siga el procedimiento de la sección "Instalación del filtro de polvo (para polvo seco)".

Transporte de la aspiradora (Fig. 29)

Cuando transporte la aspiradora, hágalo sujetando el asa de la cabeza como se muestra en la figura. El asa se puede retraer en la cabeza cuando no se usa.

MANTENIMIENTO

⚠ PRECAUCIÓN:

- Asegúrese siempre de que la herramienta esté apagada y desenchufada antes de intentar realizar cualquier trabajo de inspección o mantenimiento en ella.

Almacenamiento del cable de alimentación

Para el modelo VC1310L solamente (Fig. 30 y 31)

Extraiga el gancho del cable o abra el gancho de la base. Enrolle el cable de alimentación y cuélguelo del gancho del cable o enróllelo alrededor del gancho de la base.

NOTA:

- No fuerce el cable de alimentación para extraerlo del gancho del cable cuando intente desconectarlo de él. Si fuerza la desconexión del cable de alimentación puede causar daños en el mismo.

Para los modelos VC2510L y VC3210L (Fig. 32 y 33)

Enrolle el cable de alimentación alrededor del gancho de la base.

Almacenamiento de accesorios

NOTA:

- No aplique una fuerza excesiva a los accesorios sujetos por el soporte del tubo. La aplicación de una fuerza excesiva a esos accesorios puede dañar el soporte del tubo.

Para el modelo VC1310L solamente (Fig. 34)

El soporte del tubo se puede usar para almacenar un tubo recto, un tubo doblado, una boquilla para esquinas y

elementos similares simplemente insertando esos accesorios.
Los tubos se pueden colocar en el soporte del tubo cuando también se deje de usar la aspiradora durante un rato. (Fig. 35)

Para los modelos VC2510L y VC3210L (Fig. 36)

El apoyo del tubo se puede usar para almacenar un tubo recto, un tubo doblado y otros elementos simplemente insertando esos accesorios. (Fig. 37)

Los tubos se pueden colocar en el soporte del tubo cuando también se deje de usar la aspiradora durante un rato.

Limpieza

PRECAUCIÓN:

- Nunca utilice gasolina, benceno, disolvente, alcohol o un producto similar. Se puede provocar una decoloración, una deformación o grietas.

El filtro de polvo, el filtro previo y el amortiguador sucios pueden provocar un bajo rendimiento de succión.

(Fig. 38)

Limpie los filtros y los amortiguadores de vez en cuando. Para retirar polvo o partículas que se adhieren a los filtros, sacuda varias veces la parte inferior del bastidor. Ocasionalmente, lave el filtro de polvo con agua, aclárelo y séquelo a conciencia a la sombra antes de su uso. Nunca lave filtros en una lavadora. (Fig. 39)

NOTA:

- No frote ni raye el filtro de polvo, el filtro previo o el amortiguador con objetos duros, como un cepillo y una pala.
- Los filtros son artículos de consumo y se recomienda tener recambios para ellos.

Para mantener la SEGURIDAD y la FIABILIDAD del producto, las reparaciones y cualquier otra tarea de mantenimiento o ajuste deberán ser realizadas en centros de servicio autorizados por Makita, utilizando siempre repuestos Makita.

ACCESORIOS OPCIONALES

PRECAUCIÓN:

- Se recomienda el uso de estos accesorios o complementos con la herramienta Makita especificada en este manual. El uso de otros accesorios o complementos puede conllevar el riesgo de ocasionar daños corporales. Utilice los accesorios o complementos solamente para su fin establecido.

Si necesita cualquier ayuda para obtener más información relativa a estos accesorios, pregunte a su centro de servicio Makita local.

- Manguera
- Manguitos frontales (22, 24, 38)
- Tubo recto
- Boquilla para esquinas
- Cepillo redondo
- Filtro de polvo (para tipo seco)
- Amortiguador
- Filtro previo
- Ensamblaje de la boquilla
- Tubo doblado
- Bolsa de polietileno
- Filtro (para agua)

- Bolsa de papel
- Conjunto de soportes
- Soporte del tubo (para el modelo VC1310L solamente)
- Filtro de polvo (HEPA) (Para los modelos VC2510L y VC3210L)

NOTA:

- Algunos elementos de la lista se pueden incluir en el paquete de la herramienta como accesorios estándar. Pueden ser diferentes de un país a otro.

Ruido

ENG905-1

Nivel típico de ruido ponderado A determinado conforme a IEC60335-2-69:

Modelo VC1310L

Nivel de presión de sonido (L_{pA}): 72 dB (A)

Incertidumbre (K): 2,5 dB (A)

El nivel de ruido durante el trabajo puede superar los 80 dB (A).

Modelo VC2510L, VC3210L

Nivel de presión de sonido (L_{pA}): 73 dB (A)

Incertidumbre (K): 2,5 dB (A)

El nivel de ruido durante el trabajo puede superar los 80 dB (A).

Utilice protección para los oídos.

Vibración

ENG900-1

Valor total de la vibración (suma de vectores triaxiales) determinado según el estándar IEC60335-2-69:

El valor de emisión de vibraciones está por debajo de 2,5 m/s².

Declaración de conformidad de la CE

Sólo para países europeos

La Declaración de conformidad de la CE se incluye como Anexo A en este manual de instrucciones.

PORTUGUÊS (Instruções de origem)

AVISO

- Esta máquina não deve ser utilizada por pessoas com capacidades físicas, sensoriais ou mentais reduzidas nem por crianças ou pessoas com falta de experiência ou conhecimentos.
- As crianças devem ser supervisionadas, de modo a assegurar que não brincam com o aspirador.
- Se o cabo de alimentação estiver danificado, deve ser substituído pela instalação de assistência autorizada.
- Consulte o capítulo “MANUTENÇÃO” para obter as informações adequadas sobre as precauções a ter durante a manutenção pelo utilizador.

Descrição geral

- | | | |
|---|-------------------------------------|----------------------------------|
| 1. Botão de regulação da força de aspiração | 14. Filtro de pó | 27. Pressione com força e baixe |
| 2. Alavanca do interruptor | 15. Recipiente | 28. Saliência do suporte do tubo |
| 3. Tampa | 16. Pré-filtro | 29. Encaixe |
| 4. Cabo de alimentação | 17. Depósito | 30. Gancho |
| 5. Suporte | 18. Marcação da posição de montagem | 31. Placa do suporte |
| 6. Gancho da base | 19. Filtro de água | 32. Saco de polietileno |
| 7. Adaptadores frontais | 20. Suporte de borracha | 33. Flutuador |
| 8. Tubo flexível | 21. Saco de papel | 34. Caixa do flutuador |
| 9. Roda | 22. Gancho do cabo | 35. Pega |
| 10. Alavanca do batente | 23. Prima | 36. Cabeça |
| 11. Posição LIVRE | 24. Suporte do tubo | 37. Gancho do cabo |
| 12. Posição de BLOQUEIO | 25. Secção A | 38. Tubo recto |
| 13. Tampa do depósito | 26. Ganchos | 39. Bocal para cantos |
| | | 40. Batente |

ESPECIFICAÇÕES

| Modelo | | VC1310L / VC2510L / VC3210L | | | | | |
|--------------------------------------|----------------------------|-----------------------------|-----------|---------|-----------|-------|-----------|
| | | EU | AU/NZ | GB 110V | GB 230V | CL | AR/CH |
| Tensão | Volts | 230 - 240 | 230 - 240 | 110 | 230 - 240 | 220 | 230 - 240 |
| Consumo de energia | Watts | 1.050 | 1.050 | 1.050 | 1.050 | 1.050 | 1.050 |
| Carga ligada para tomada do aparelho | Watts no modo de símbolo ☞ | 2.400 | 1.200 | 600 | 1.900 | 2.200 | 1.100 |
| Carga ligada para tomada do aparelho | Watts no modo de símbolo ☜ | 2.600 | 1.400 | 850 | 2.100 | 2.500 | 1.400 |
| Carga total ligada | Watts | 3.450 | 2.250 | 1.650 | 2.950 | 3.250 | 2.150 |

| Modelo | | VC1310L | VC2510L | VC3210L |
|------------------------|------|-----------------------------|--------------------------|--------------------------|
| Caudal do volume (ar) | | 2,0 m³/min | | |
| Vácuo | | 22 kPa | | |
| Classe de protecção | | 1 | | |
| Tipo de protecção | | IP X4 (à prova de salpicos) | | |
| Capacidade recuperável | Pó | 13L | 25L | 32L |
| | Água | 7L | 14L | 27L |
| Dimensões (C x L x A) | | 366 mm x 334 mm x 420 mm | 432 mm x 416 mm x 451 mm | 552 mm x 398 mm x 685 mm |
| Peso líquido | | 9,6 kg | 10,5 kg | 14,5 kg |

- Devido à pesquisa e desenvolvimento constantes, estas especificações estão sujeitas a alteração sem aviso prévio.
- Estas especificações podem diferir de país para país.
- O peso não inclui os acessórios.

Símbolos

END108-7

Descrição dos símbolos utilizados no equipamento. Certifique-se de que compreende o seu significado, antes da utilização.



..... Leia o manual de instruções.



..... Tenha especial cuidado e atenção.



..... Aviso! O aspirador pode conter pó perigoso.



..... Nunca se coloque sobre o aspirador.



..... Pó de classe L (leve). Os aspiradores são capazes de recolher pó de classe L. Siga os regulamentos do seu país relativos a pós e a higiene e segurança no trabalho.



..... Apenas para países da UE
Devido à presença de componentes perigosos no equipamento, o equipamento elétrico e eletrónico usado pode ter um impacto negativo no meio ambiente e na saúde humana. Não elimine aparelhos elétricos e eletrónicos juntamente com resíduos domésticos!
De acordo com a Diretiva europeia relativa aos resíduos de equipamentos elétricos e eletrónicos e a respetiva adaptação à legislação nacional, os equipamentos elétricos e eletrónicos usados devem ser recolhidos separadamente e entregues num ponto de recolha separado para resíduos municipais, que opere de acordo com os regulamentos de proteção ambiental. Tal é indicado pelo símbolo de contentor de lixo com rodas barrado com uma cruz colocado no equipamento.

Utilização prevista

ENE084-1

A ferramenta destina-se a recolher pó húmido e seco. Esta ferramenta destina-se a utilização comercial, por exemplo, em hotéis, escolas, hospitais, fábricas, lojas, escritórios e empresas de aluguer.


Fonte de alimentação

ENF001-1

A ferramenta apenas deve ser ligada a uma fonte de alimentação da mesma tensão que a indicada na chapa de especificações, e apenas pode funcionar com uma alimentação CA monofásica. Esta ferramenta deve estar ligada à terra durante a utilização para proteger o utilizador de choques elétricos. Utilize apenas cabos de extensão de três fios que têm fichas de ligação à terra com três pernos e receptáculos de três pernos que aceitam a ficha da ferramenta.

AVISOS DE SEGURANÇA DO ASPIRADOR DE PÓ

ENB119-6

 **AVISO: IMPORTANTE! LEIA COM ATENÇÃO todos os avisos de segurança e todas as instruções ANTES**

DA UTILIZAÇÃO. Caso não siga os avisos e instruções, pode apanhar um choque elétrico, provocar um incêndio e/ou ferimentos graves.

1. **Antes de utilizar, certifique-se de que este aspirador é utilizado por pessoas que tenham recebido instruções adequadas sobre a utilização deste aspirador.**
2. **Antes da utilização, devem ser fornecidas informações, instruções e formação aos operadores relativamente ao uso da máquina e às substâncias para as quais deve ser utilizada, incluindo o método seguro de remoção e eliminação do material recolhido.**
3. **Utilize apenas a saída de tomada no aspirador para finalidades especificadas nas instruções. Se sair espuma/líquido, desligue imediatamente.**
4. **Limpe o dispositivo de limitação do nível de água regularmente e inspecione-o quanto a sinais de danos.**
6. **Não utilize o aspirador sem o filtro. Substitua imediatamente o filtro danificado.**
7. **UTILIZAÇÃO DO CABO DE EXTENSÃO.** Quando utilizar um cabo de extensão devido à grande distância em relação à sua fonte de alimentação, tente utilizar um cabo suficientemente espesso mas não demasiado longo, caso contrário, o desempenho do aspirador será afetado de forma adversa. No caso de aplicações no exterior, utilize um cabo de extensão adequado para utilização no exterior.
8. **AVISO DE TENSÃO:** Antes de ligar o aspirador a uma fonte de alimentação (recetáculo, tomada, etc.), certifique-se de que a tensão fornecida é igual à especificada na placa de identificação do aspirador. Uma fonte de alimentação com tensão superior à especificada para o aspirador pode resultar em LESÕES GRAVES no operador e em danos no aspirador. Em caso de dúvida, **NÃO LIGUE O ASPIRADOR À TOMADA.** Utilizar uma fonte de alimentação com tensão inferior à classificação que consta na placa de identificação é prejudicial para o motor.
9. **EVITAR O ARRANQUE INVOLUNTÁRIO.** Assegure que o interruptor está desligado (OFF) quando inserir a ficha na tomada.
10. **Não tente aspirar materiais inflamáveis, fogo de artifício, cigarros acesos, cinzas quentes, aparas metálicas quentes, materiais aguçados como lâminas, agulhas, vidro partido ou outros do género.**
11. **NUNCA UTILIZE O ASPIRADOR JUNTO DE GASOLINA, GÁS, TINTA, COLAS OU OUTRAS SUBSTÂNCIAS ALTAMENTE EXPLOSIVAS.** O interruptor emite faíscas quando se liga e desliga. O mesmo acontece com o comutador do motor durante o funcionamento. Pode resultar em explosão perigosa.
12. **Nunca aspire produtos tóxicos, carcinogénicos, combustíveis ou outros materiais perigosos como amianto, arsénico, bário, berílio, chumbo, pesticidas ou outros materiais que ponham a saúde em perigo.**

13. Coloque sempre o aspirador numa superfície plana horizontal para evitar a respetiva queda ou o respetivo movimento acidental.
14. Nunca utilize o aspirador no exterior, à chuva.
15. No caso da Finlândia, esta máquina não deve ser utilizada ao ar livre a baixa temperatura.
16. Não utilize junto de fontes de calor (fornos, etc.).
17. Se o ar de exaustão for retornado à divisão, é necessário providenciar uma taxa de mudança de ar adequada na divisão. É necessário consultar os regulamentos nacionais.
18. **RESGUARDO CONTRA CHOQUE ELÉTRICO.** Evite o contacto do corpo com superfícies ligadas à terra. Por exemplo, tubos, radiadores, fornos de micro-ondas, compartimentos de frigoríficos.
19. Não bloqueie os ventiladores de arrefecimento. Estes ventiladores permitem arrefecer o motor. Os entupimentos devem ser cuidadosamente evitados, caso contrário, o motor queima por falta de ventilação.
20. Mantenha sempre o equilíbrio e os pés bem assentes no chão.
21. **NÃO FORCE O CABO.** Nunca transporte o aspirador através do cabo ou arranque-o para retirá-lo da tomada elétrica. Mantenha o cabo afastado do calor, óleo e bordos afiados. Inspeccione os cabos do aspirador periodicamente e, se estiverem danificados, solicite a reparação pela instalação de assistência autorizada. Inspeccione os cabos de extensão periodicamente e substitua-os caso estejam danificados.
22. Não dobre, arraste nem pise a mangueira.
23. Desligue imediatamente o aspirador se notar qualquer falta de desempenho ou algo fora do normal durante o funcionamento.
24. **DESLIGUE O ASPIRADOR.** Quando não estiver a utilizar o aparelho, antes da assistência técnica e quando mudar de acessórios.
25. Limpe e faça a assistência ao aspirador imediatamente após cada utilização para o manter nas condições de funcionamento normal.
26. **CONSERVE O ASPIRADOR COM CUIDADO.** Mantenha o aspirador limpo para obter um desempenho melhor e mais seguro. Siga as instruções para mudar os acessórios. Mantenha as peças secas, limpas e sem óleo e gordura.
27. **VERIFIQUE AS PEÇAS DANIFICADAS.** Antes de continuar a utilizar o aspirador deve verificar cuidadosamente se qualquer resguardo ou outra peça está danificado para determinar se o aspirador funcionará adequadamente e realizará a função pretendida. Verifique o alinhamento das peças móveis, a união das peças móveis, a quebra de peças, a montagem e quaisquer outras condições que possam afetar o seu funcionamento. Um resguardo ou outra peça danificado deve ser adequadamente reparado ou substituído por um centro de assistência autorizado, a menos que indicado o contrário em qualquer outro lugar neste manual. Peça a substituição de interruptores defeituosos junto de um centro de assistência autorizado. Não utilize o aspirador se o interruptor não o ligar ou desligar.
28. No caso de manutenção por parte do utilizador, a máquina deve ser desmontada, limpa e reparada, tanto quanto for razoavelmente possível, sem pôr em risco o pessoal de manutenção e outras pessoas.
29. A máquina deve ser inspecionada tecnicamente pelo fabricante ou por uma pessoa instruída, pelo menos anualmente, incluindo, por exemplo, a inspeção de filtros quanto a danos, estanquicidade da máquina e funcionamento adequado do mecanismo de controlo.
30. Quando realizar operações de manutenção ou reparação, todos os itens contaminados que não possam ser limpos satisfatoriamente devem ser eliminados; tais itens devem ser eliminados em sacos impermeáveis, de acordo com quaisquer regulamentos atuais para a eliminação de tais resíduos.
31. **PEÇAS DE SUBSTITUIÇÃO.** Durante a assistência, utilize apenas peças de substituição idênticas.
32. **GUARDE O ASPIRADOR PARADO.** Quando não estiver a utilizar o aspirador, deve guardá-lo no interior.
33. Os filtros húmidos e a parte interior do recipiente de líquido devem ser secos antes de serem guardados.
34. Tenha cuidado com o aspirador. Um manuseamento severo pode provocar quebras até mesmo ao aspirador mais robusto.
35. Não tente limpar o exterior ou o interior com benzina, diluente ou produtos químicos de limpeza. Pode provocar rachas ou descoloração.
36. Não utilize o aspirador num espaço fechado onde existam vapores inflamáveis, explosivos ou tóxicos devido a tintas à base de óleo, diluente de tinta, gasolina, algumas substâncias repelentes de traças, etc. ou em áreas onde estejam presentes poeiras inflamáveis.
37. Não deixe o cabo do aspirador no chão após concluir uma tarefa de limpeza. Pode tornar-se um perigo de tropeçamento ou causar danos no aspirador.
38. Não opere esta ou qualquer ferramenta sob a influência de drogas ou álcool.
39. Utilize óculos de segurança ou de proteção com proteções laterais como medida básica de segurança.
40. Utilize uma máscara contra pó em condições de trabalho poeirentas.
41. Esta máquina não deve ser utilizada por pessoas com capacidades físicas, sensoriais ou mentais reduzidas nem por crianças ou pessoas com falta de experiência ou conhecimentos.
42. As crianças devem ser supervisionadas, de modo a assegurar que não brincam com o aspirador.
43. Nunca manuseie o cabo de alimentação ou o aspirador com as mãos molhadas.
44. Tenha extremo cuidado quando limpar escadas.
45. Não utilize o aspirador como banco ou bancada de trabalho. A máquina pode cair e resultar em ferimentos pessoais.

GUARDE ESTAS INSTRUÇÕES.

AVISO:

NÃO permita que conforto ou familiaridade com o produto (adquirido com o uso repetido) substitua a aderência estrita às regras de segurança da ferramenta. MÁ INTERPRETAÇÃO ou não seguimento das regras de segurança estabelecidas neste manual de instruções pode causar danos pessoais sérios.

DESCRIÇÃO DO FUNCIONAMENTO

AVISO:

- **Antes de ligar o aspirador, certifique-se sempre de que este está desligado.** Ligar o aspirador com o interruptor ligado pode causar um arranque inesperado, resultando em ferimentos pessoais graves.

Ação do interruptor (Fig. 1)

Para ligar o aspirador, rode a alavanca do interruptor para o lado "I". Para o desligar, rode a alavanca do interruptor para o lado "O".

A potência de aspiração pode ser ajustada de acordo com as necessidades de trabalho. (Fig. 2)

A potência de aspiração pode ser aumentada rodando o botão de regulação da força de aspiração do símbolo ↻ para o símbolo ↺.

Ligar ferramentas eléctricas

AVISO:

- Observe as cargas máximas ligadas para a tomada do aparelho (Consulte as ESPECIFICAÇÕES.)
- Certifique-se de que o aspirador e a ferramenta eléctrica estão desligados antes de ligar ou desligar. Ligar a ferramenta eléctrica ao aspirador com ambos ligados pode causar um arranque inesperado e repentino, resultando em ferimentos pessoais graves.

Ao ligar uma ferramenta aterrada, introduza uma ficha com uma placa de ligação à terra na tomada do aspirador. (Fig. 3)

PRECAUÇÃO:

- Nunca ligue uma ferramenta eléctrica, com uma potência de entrada superior à potência especificada em "ESPECIFICAÇÕES", à tomada do aspirador rodando o botão de regulação da força de aspiração. Ligar a ferramenta eléctrica com uma potência de entrada superior àquela especificada, pode causar um sobreaquecimento e danificar o aspirador. Consulte as especificações para evitar isto.

O aspirador pode ser ligado a uma ferramenta eléctrica com uma potência de entrada equivalente àquela indicada nas "ESPECIFICAÇÕES".

Para ligar uma ferramenta eléctrica, abra a tampa e introduza a ficha da ferramenta eléctrica na tomada do aspirador.

Rode a alavanca do interruptor para a posição "AUTO". (Fig. 2)

Desloque o botão de regulação da força de aspiração para a posição adequada à potência de entrada da ferramenta eléctrica que pretende usar. Consulte as

ESPECIFICAÇÕES para a relação entre o botão de regulação da força de aspiração e a potência de entrada da ferramenta eléctrica.

O ligar e desligar da ferramenta eléctrica resulta simultaneamente na acção de ligar e desligar do aspirador. O aspirador ainda funciona durante alguns segundos mesmo após a ferramenta eléctrica ser desligada.

Após a utilização, desligue a ferramenta eléctrica da tomada do aspirador.

Desligue o aspirador após a utilização.

Paragem de aspiração automática durante a operação de aspiração

AVISO:

- **Não utilize durante muito tempo enquanto o flutuador está em funcionamento.** Utilizar o aspirador com o flutuador em funcionamento durante muito tempo, pode causar sobreaquecimento, resultando na deformação do aspirador.
- **Não aspire espuma ou líquido com sabão.** Aspirar espuma ou líquido com sabão pode fazer com que a espuma saia pela saída de ar antes do flutuador funcionar. Continuar a utilização nesta condição pode causar choques eléctricos e quebras no aspirador.

O aspirador tem um mecanismo de flutuador que impede a entrada de água no motor ao aspirar certas quantidades de água.

Quando o depósito está cheio e o aspirador já não consegue aspirar água, desligue o aspirador e esvazie o depósito.

Instalar o suporte (Fig. 4)

Ao ligar uma ferramenta eléctrica, fixe o cabo de alimentação e o tubo flexível utilizando os suportes a 70 cm - 80 cm de distância entre os suportes que são fornecidos com o aspirador, de modo a que o tubo flexível não fique preso pelo cabo de alimentação.

Utilização do gancho da base

PRECAUÇÃO:

- **Tenha cuidado para não prender os dedos ao fechar o gancho da base.** Caso contrário, poderá causar ferimentos.

NOTA:

- Não aplique uma força excessiva no gancho da base. A força excessiva no gancho da base pode danificá-lo. Feche o gancho da base quando não o utilizar.

Abriu o gancho da base permite a utilização seguinte.

Guardar o cabo de alimentação

NOTA:

- **Não utilize o aspirador ou uma ferramenta eléctrica ligada com um cabo de alimentação enrolado no gancho da base.** Utilizando o aspirador ou a ferramenta eléctrica ligada com cabo de alimentação pode causar danos no cabo de alimentação. (Fig. 5)

Guardar os adaptadores frontais

Os adaptadores frontais 22, 24 e 38 podem ser guardados (até dois de cada vez.) (Fig. 6)

Guardar o tubo flexível (Fig. 7)

Pousar uma ferramenta eléctrica de tamanho razoável, no gancho da base, como uma serra circular. (Fig. 8)

Bloquear ou desbloquear a roda

Para os modelos VC1310L e VC2510L (Fig. 9)

Para o modelo VC3210L (Fig. 10)

Para bloquear a roda com um batente, baixe a alavanca do batente e a roda não irá rodar mais. Para libertar a roda da posição bloqueada, eleve a alavanca do batente. Convém bloquear a roda quando guardar o aspirador, interromper o trabalho e quando quiser manter o aspirador parado.

Para utilizar o batente, mova-o à mão.

NOTA:

- Ao mover o aspirador, certifique-se de que a roda está desbloqueada. Mover o aspirador com a roda na posição bloqueada, pode causar danos na roda.

MONTAGEM

⚠️ PRECAUÇÃO:

- Certifique-se sempre de que o aspirador está desligado no interruptor e da tomada antes de efectuar qualquer trabalho no mesmo.
- Use sempre máscara anti-pó durante a montagem ou manutenção.

Instalar o filtro de água (Fig. 11)

Para aspirar água ou pó húmido, retire o pré-filtro e o recipiente e, de seguida, use o filtro de água.

Ao instalar o filtro de água no depósito, instale-o bem na abertura do depósito para que o gancho do filtro de água encaixe bem na abertura do depósito e para que não haja espaço entre o filtro de água e o depósito. (Fig. 12)

Além disso, instale o filtro de água de modo a que a marcação da posição de montagem possa ser alinhada.

NOTA:

- Os modelos VC2510L e VC3210L não têm marcação da posição de montagem e não necessitam de alinhá-la.

Instalar o saco de papel

⚠️ AVISO:

- Ao utilizar o saco de papel, use também o pré-filtro que está pré-instalado na ferramenta. Se não utilizar o pré-filtro, pode causar ruído e calor invulgares, resultando num incêndio.

⚠️ PRECAUÇÃO:

- Nunca aspire água ou outros líquidos ou pós húmidos ao utilizar o saco de papel. Aspirar tais substâncias pode causar quebras no saco de papel.
1. Retire o suporte de borracha. (Fig. 13)
 2. Alargar o saco de papel.
 3. Alinhar a abertura do saco de papel com a abertura de aspiração de pó do aspirador. (Fig. 14 e 15)
 4. Introduza o cartão do saco de papel na ferramenta para que esteja posicionado na extremidade além da saliência do detentor.

Instalar o suporte do tubo (acessório opcional)

Apenas para o modelo VC1310L

Pressione o gancho do cabo, como indicado na ilustração. (Fig. 16)

Instale o suporte do tubo no gancho do cabo. (Os ganchos estão afastados da tampa do depósito.)

Eleve o suporte do tubo até os ganchos entrarem em contacto com a tampa do depósito e prima a secção A do suporte do tubo. (Fig. 17)

Pressione a secção A com força e, com a secção A pressionada, baixe o suporte do tubo. (Fig. 18)

Encaixe duas saliências do suporte do tubo nas ranhuras da tampa do depósito e, de seguida, pressione o suporte do tubo. (Fig. 19 e 20)

NOTA:

- O suporte do tubo que está excessivamente mais baixo do que a posição pretendida, não pode ser instalado no gancho do cabo com o gancho afastado da tampa do depósito, como mostrado na figura. (Fig. 21)

NOTA:

- Certifique-se de que os dois ganchos do suporte do tubo estão bem engatados na tampa do depósito. (Fig. 22)

Ligar um tubo flexível

⚠️ PRECAUÇÃO:

- Nunca force o tubo flexível para dobrar ou calcar. Nunca desloque o aspirador puxando por um tubo flexível. Forçar, calcar e puxar o tubo flexível, pode causar uma quebra ou deformação no tubo flexível.
- Ao aspirar resíduos grandes como aparas de plaina, poeira de betão ou algo semelhante, em vez de resíduos pequenos, use o tubo flexível de 38 mm de diâmetro interior (acessório opcional). Utilizar o tubo flexível de 28 mm de diâmetro interior pode causar obstruções e danos no mesmo.

Introduza o tubo flexível na porta de montagem do depósito e rode-o para a direita até bloquear. (Fig. 23)

Instalar o saco de polietileno

O aspirador também pode ser usado sem saco de polietileno. No entanto, é mais fácil esvaziar o depósito sem sujar as mãos, utilizando o saco de polietileno.

Espalhe o saco de polietileno no depósito. Introduza-o entre a placa do suporte e o depósito e puxe-o para a entrada do tubo flexível. (Fig. 24)

Espalhe o saco em torno da parte superior do depósito. Engate o outro lado do saco em torno da parte superior do depósito, de modo a que o gancho do pré-filtro possa apanhá-lo e fixá-lo em segurança. (Fig. 25)

NOTA:

- Pode ser utilizado um saco de polietileno disponível no mercado. É recomendado o saco de 0,04 mm ou maior.
- Demasiado pó irá rasgar o saco com facilidade, por isso, não ultrapasse metade da capacidade do saco ao recolher pó.

Esvaziar o saco polietileno

AVISO:

- Certifique-se sempre de que o aspirador está desligado e com o cabo desligado da corrente antes de esvaziar o saco de polietileno. Caso contrário, poderá causar choques eléctricos e ferimentos pessoais graves.

PRECAUÇÃO:

- Não aplique um impacto grande no filtro de pó e no depósito. Aplicar um impacto grande pode causar deformações e danos no filtro de pó e no depósito.
- Esvazie o depósito, no mínimo, uma vez por dia, apesar disto depender do volume de pó aspirado no depósito. Ou a força de aspiração irá reduzir e o motor pode avariar.
- Não agarre o gancho ao esvaziar o depósito. Agarrar no gancho pode fazer com que este se parta.

Desengate e eleve a tampa do depósito. (Fig. 26)

Retire o pó do filtro de pó, recipiente e pré-filtro agitando-os e, de seguida, retire o saco de polietileno do depósito. (Fig. 27)

NOTA:

- Retire o saco de polietileno com cuidado, de modo a que este não fique preso nem se rasgue devido à saliência no interior do depósito, ao esvaziá-lo.
- Esvazie o saco de polietileno antes de estar cheio. Demasiado pó no depósito pode rasgar o saco de polietileno.

Instalar o filtro de pó (para pó seco)

(Fig. 11)

Coloque o pré-filtro no depósito.

De seguida, monte o recipiente no filtro de pó e, depois, coloque-o no pré-filtro.

Ao instalar o filtro de pó e o pré-filtro, a marcação da posição de montagem em cada um, está alinhada com a marcação na parte superior do depósito.

Por fim, monte a tampa do depósito.

NOTA:

- Os modelos VC2510L e VC3210L não têm marcação da posição de montagem e não necessitam de alinhá-la.
- Antes de utilizar o filtro de pó, certifique-se de que o pré-filtro e o recipiente são sempre usados juntos. Não pode instalar apenas o filtro de pó.
- Antes de utilizar o saco de papel, certifique-se de que o filtro de pó, o recipiente e o pré-filtro são sempre usados juntos.

Instalar o filtro de pó (HEPA)

Acessório opcional, apenas disponível para os modelos

VC2510L e VC3210L (Fig. 28)

Para utilizar o filtro de pó (HEPA), retire a caixa do flutuador e o flutuador removendo os parafusos. De seguida, siga o procedimento da secção "Instalar o filtro de pó (para pó seco)"

Transportar o aspirador (Fig. 29)

Ao transportar o aspirador, transporte-o segurando a pega na cabeça, como mostrado na figura. A pega na cabeça é retráctil, quando não é utilizada.

MANUTENÇÃO

PRECAUÇÃO:

- Certifique-se sempre de que a ferramenta está desligada no interruptor e da tomada antes de inspeccionar ou fazer a manutenção da ferramenta.

Armazenamento do cabo de alimentação

Apenas para o modelo VC1310L (Fig. 30 e 31)

Retire o gancho do cabo ou abra o gancho da base.

Enrole o cabo de alimentação e pendure-o no gancho do cabo ou enrole-o em torno do gancho da base.

NOTA:

- Não retire o cabo de alimentação do gancho do cabo à força, ao tentar desligá-lo do mesmo. Desligar o cabo de alimentação à força do gancho do cabo pode causar danos no cabo.

Para os modelos VC2510L e VC3210L (Fig. 32 e 33)

Enrole o cabo de alimentação em torno do gancho da base.

Armazenamento de acessórios

NOTA:

- Não aplique força excessiva nos acessórios que são segurados pelo suporte do tubo. Aplicar uma força excessiva nestes acessórios pode causar danos no suporte do tubo.

Apenas para o modelo VC1310L (Fig. 34)

O suporte do tubo pode ser utilizado para guardar o tubo recto, tubo dobrado, bocal para cantos e objectos semelhantes, introduzindo estes acessórios.

Os tubos também podem ser colocados no suporte do tubo quando interromper a utilização do aspirador durante algum tempo. (Fig. 35)

Para os modelos VC2510L e VC3210L (Fig. 36)

O repouso do tubo pode ser utilizado para guardar o tubo recto, tubo dobrado e outros objectos semelhantes, introduzindo estes acessórios. (Fig. 37)

Os tubos também podem ser colocados no suporte do tubo quando interromper a utilização do aspirador durante algum tempo.

Limpeza

PRECAUÇÃO:

- Nunca utilize gasolina, benzina, diluente, álcool ou semelhante. Podem formar-se descolorações, deformações ou fissuras.

Um filtro de pó, pré-filtro e recipiente obstruídos causam um mau desempenho de aspiração. (Fig. 38)

Limpe os filtros e os recipientes periodicamente.

Para retirar pó ou partículas que se colam aos filtros, agite rapidamente a parte inferior da estrutura várias vezes.

Lave ocasionalmente o filtro de pó em água, lave e seque minuciosamente à sombra antes da utilização. Nunca lave os filtros numa máquina de lavar roupa. (Fig. 39)

NOTA:

- Não esfregue nem arranhe o filtro de pó, pré-filtro ou recipiente com objectos duros como uma escova ou espátula.
- Os filtros são consumíveis e é aconselhável ter filtros sobresselentes.

Para manter os níveis de SEGURANÇA e FIABILIDADE definidos para este produto, as reparações e os procedimentos de manutenção ou ajustes devem ser executados por centros de assistência Makita autorizados, utilizando sempre peças de substituição Makita.

ACESSÓRIOS OPCIONAIS

PRECAUÇÃO:

- Os seguintes acessórios ou extensões são os recomendados para utilizar com a ferramenta Makita especificada neste manual. A utilização de quaisquer outros acessórios poderá representar um risco de ferimento para as pessoas. Apenas utilize o acessório para o fim indicado.

Se precisar de informações adicionais relativas aos acessórios, contacte o centro local de assistência Makita.

- Tubo flexível
- Adaptadores frontais (22, 24, 38)
- Tubo recto
- Bocal para cantos
- Escova redonda
- Filtro de pó (Para tipo seco)
- Recipiente
- Pré-filtro
- Conjunto do bocal
- Tubo dobrado
- Saco de polietileno
- Filtro (Para água)
- Saco de papel
- Conjunto do suporte
- Suporte do tubo (apenas para o modelo VC1310L)
- Filtro de pó (HEPA) (Para os modelos VC2510L e VC3210L)

NOTA:

- Alguns itens na lista podem estar incluídos no pacote de ferramentas como acessórios de série. Podem diferir de país para país.

Ruído

ENG905-1

Os níveis acústicos ponderados A típicos foram determinados segundo a IEC60335-2-69:

Modelo VC1310L

Nível de pressão sonora (L_{pA}): 72 dB (A)

Incerteza (K): 2,5 dB (A)

O nível de ruído quando em funcionamento pode exceder os 80 dB (A).

Modelo VC2510L, VC3210L

Nível de pressão sonora (L_{pA}): 73 dB (A)

Incerteza (K): 2,5 dB (A)

O nível de ruído quando em funcionamento pode exceder os 80 dB (A).

Use protecção para os ouvidos.

Vibração

ENG900-1

O valor total de vibração (soma vetor triaxial) determinado, de acordo com IEC60335-2-69:

O valor de emissão de vibrações é inferior a 2,5 m/s².

Declaração de conformidade CE

Apenas para os países europeus

A declaração de conformidade CE está incluída como Anexo A neste manual de instruções.

DANSK (Originalvejledning)



ADVARSEL

- Denne maskine er ikke beregnet til brug af personer, herunder børn, med reducerede fysiske, sensoriske eller mentale færdigheder eller manglende erfaring og viden.
- Børn skal overvåges for at sikre, at de ikke leger med støvsugeren.
- Hvis ledningen er beskadiget, skal den udskiftes af et autoriseret serviceværksted.
- Se kapitlet "VEDLIGEHOLDELSE" for at få de relevante oplysninger om forholdsregler under brugervedligeholdelse.

Forklaring til generel oversigt

| | | |
|----------------------------------|-------------------------------|----------------------|
| 1. Justeringsknap for sugestyrke | 15. Spjæld | 29. Rille |
| 2. Afbryderkontakt | 16. Forfilter | 30. Krog |
| 3. Dæksel | 17. Tank | 31. Holderplade |
| 4. Strømforsyningsledning | 18. Monteringspositionsmærke | 32. Polyethylenpose |
| 5. Holder | 19. Vandfilter | 33. Flyder |
| 6. Apparatkrog | 20. Gummiholder | 34. Flyderbur |
| 7. Frontmanchetter | 21. Papirpose | 35. Håndtag |
| 8. Slange | 22. Ledningskrog | 36. Hoved |
| 9. Styrehjul | 23. Tryk | 37. Ledningskrog |
| 10. Låsearm | 24. Rørholder | 38. Lige rør |
| 11. FRI-position | 25. A-sektion | 39. Hjørnemundstykke |
| 12. LÅST-position | 26. Kroge | 40. Stopper |
| 13. Tankdæksel | 27. Tryk kraftigt og sænk | |
| 14. Pulverfilter | 28. Fremspring på rørholderen | |

SPECIFIKATIONER

| Model | | VC1310L / VC2510L / VC3210L | | | | | |
|--------------------------------------|--|-----------------------------|-----------|------------|------------|-------|-----------|
| | | EU | AU/NZ | GB 110V | GB 230V | CL | AR/CH |
| Spænding | Volt | 230 - 240 | 230 - 240 | 110 | 230 - 240 | 220 | 230 - 240 |
| Strømförbrug | Watt | 1.050 | 1.050 | 1.050 | 1.050 | 1.050 | 1.050 |
| Tilsluttet belastning for udstyrstik | Watt i tilstanden med  -symbolet | 2.400 | 1.200 | 600 | 1.900 | 2.200 | 1.100 |
| Tilsluttet belastning for udstyrstik | Watt i tilstanden med  -symbolet | 2.600 | 1.400 | 850 | 2.100 | 2.500 | 1.400 |
| Tilsluttet belastning i alt | Watt | 3.450 | 2.250 | 1.650 | 2.950 | 3.250 | 2.150 |

| Model | | VC1310L | VC2510L | VC3210L |
|-------------------------------|------|--------------------------|--------------------------|--------------------------|
| Gennemstrømningsmængde (luft) | | 2,0 m ³ /min | | |
| Sugekraft | | 22 kPa | | |
| Beskyttelsesklasse | | 1 | | |
| Beskyttelsestype | | IP X4 (stænsikker) | | |
| Opsamlingskapacitet | Støv | 13 l | 25 l | 32 l |
| | Vand | 7 l | 14 l | 27 l |
| Mål (L x B x H) | | 366 mm x 334 mm x 420 mm | 432 mm x 416 mm x 451 mm | 552 mm x 398 mm x 685 mm |
| Nettovægt | | 9,6 kg | 10,5 kg | 14,5 kg |

- På grund af vores løbende forsknings- og udviklingsprogram kan specifikationerne heri ændres uden forudgående varsel.
- Specifikationerne kan variere fra land til land.
- Vægten inkluderer ikke tilbehør.

Symboler

END108-7

Her vises de symboler, der benyttes til udstyret. Vær sikker på, at du forstår deres betydning, før du bruger maskinen.



..... Læs brugsanvisningen.



..... Udvis særlig forsigtighed og opmærksomhed.



..... Advarsel! Støvsugeren indeholder muligvis sundhedsfarligt støv.



..... Stil dig aldrig oven på støvsugeren.



..... Støvklasse L (let). Støvsugererne kan opsure støvklasse L. Følg lovgivningen i dit land vedrørende støv samt sundhed og sikkerhed på arbejdspladsen.



..... Kun for lande inden for EU
Brugt elektrisk og elektronisk udstyr kan have en negativ indvirkning på miljøet og folkesundheden på grund af tilstedeværelsen af farlige komponenter i udstyret.

Bortskaf ikke elektriske og elektroniske apparater sammen med husholdningsaffald!

I overensstemmelse med EF-direktiv om affaldshåndtering af elektrisk og elektronisk udstyr, og i overensstemmelse med national lovgivning, skal brugt elektrisk og elektronisk udstyr opbevares separat og leveres til et separat indsamlingssted til kommunalt affald, der er etableret i henhold til bestemmelserne om miljøbeskyttelse.

Dette er angivet ved symbolet på den krydsede skraldespand, der er placeret på udstyret.

Tilsigtet brug

ENE084-1

Denne maskine er beregnet til opsamling af både vådt og tørt støv. Maskinen er egnet til kommercielt brug som for eksempel på hoteller, skoler, hospitaler, fabrikker, butikker, kontorer og udlejningsforretninger.

Strømforsyning

ENF001-1

Maskinen bør kun sluttes til en strømforsyning med den spænding, der er angivet på mærkepladen, og den kan kun benyttes med enkeltfasen vekselstrøm. Denne maskine bør være jordet under brug for at beskytte brugeren mod elektrisk stød. Brug kun træbenede forlængerledninger, som er udstyret med træbenede stik for jording og stikkontakter til træbenede stik, som passer til maskinens stik.

SIKKERHEDSADVARSLER FOR STØVSUGER

ENB119-6

⚠ ADVARSEL: LÆS OMHYGGELIGT alle sikkerhedsadvarsler og alle instruktioner FØR BRUGEN. Hvis advarslerne og instruktionerne ikke

overholdes, kan det medføre elektrisk stød, brand og/eller alvorlig personskade.

1. **Før brugen skal du sørge for, at denne støvsuger anvendes af personer, der er tilstrækkeligt oplært i brugen af støvsugeren.**
2. **Før brugen skal operatører have oplysninger, instruktioner og oplæring i brugen af maskinen og de stoffer, den kan anvendes til, herunder den sikre metode til fjernelse og bortskaffelse af det opsamlede materiale.**
3. **Brug kun stikudgangen på støvsugeren til de formål, som er angivet i vejledningen.**
4. **Sluk med det samme, hvis der kommer skum/ væske ud.**
5. **Rengør jævnligt enheden til begrænsning af vandstanden, og undersøg den for tegn på skader.**
6. **Anvend ikke støvsugeren uden filteret. Udskift øjeblikkeligt et beskadiget filter.**
7. **BRUG AF FORLÆNGERLEDNING.** Ved brug af forlængerledning på grund af den store afstand til strømkilden, så forsøg at bruge en ledning, der er tilstrækkelig tyk, men ikke for lang, da støvsugerens ydeevne kan blive påvirket negativt. Brug en forlængerledning, der er beregnet til udendørs brug, når maskinen anvendes udendørs.
8. **SPÆNDINGSADVARSEL:** Før tilslutning af støvsugeren til en strømkilde (stikkontakt, udtag mv.) så sørg for, at forsyningsspændingen er den samme som den, der er angivet på støvsugerens typeskilt. En strømkilde med en spænding, der er højere end den, der er angivet for støvsugeren, kan resultere i **ALVORLIG PERSONSKADE** såvel som beskadigelse af støvsugeren. I tvivlstilfælde, **TILSLUT IKKE STØVSUGEREN.** Brug af en strømkilde med spænding, der er lavere end typeskiltets mærkedata, er skadelig for motoren.
9. **UNDGÅ, AT MASKINEN STARTER VED ET UHELD.** Sørg for, at kontakten er **SLUKKET** ved tilslutning af maskinen.
10. **Forsøg ikke at opsuge brændbare materialer, fyrværkeri, tændte cigaretter, varm aske, varme metalspåner, skarpe genstande som f.eks. barberblade, nåle, glasskår eller lignende.**
11. **BRUG ALDRIG STØVSUGEREN I NÆRHEDEN AF BENZIN, GAS, MALING, LIM ELLER ANDRE STÆRKT EKSPLOSIONSFARLIGE STOFFER.** Afbryderen udsender gnister, når der tændes eller slukkes. Det samme gør motorkommutatoren under brugen. Det kan medføre farlig eksplosion.
12. **Støvsug aldrig giftstoffer, kræftfremkaldende stoffer, brændbare stoffer eller andre farlige materialer som f.eks. asbest, arsenik, barium, beryllium, bly, insektmidler eller andre sundhedsskadelige materialer.**
13. **Placer altid støvsugeren på en horisontal plan overflade for at forhindre, at den falder eller flytter sig ved et uheld.**
14. **Brug aldrig støvsugeren udenfor i regnvej.**
15. **I Finland er det ikke tilladt at benytte maskinen ved lave udendørstemperaturer.**
16. **Brug ikke i nærheden af varmekilder (komfurer og lignende).**
17. **Hvis udstødningsluften sendes tilbage i rummet, er det nødvendigt at bruge passende**

- luftudvekslingshastighed i rummet. Reference til nationale reguleringer er nødvendig.
18. **BESKYTTELSE MOD ELEKTRISK STØD.** Undgå kropskontakt med jordforbundne overflader. For eksempel rør, radiatorer, mikrobølgeovne og køleskabsskabe.
 19. **Bloker ikke ventilationsåbningerne til afkøling.** Disse ventilationsåbninger muliggør afkøling af motoren. Blokering skal undgås omhyggeligt, da motoren ellers vil brænde sammen på grund af manglende ventilation.
 20. **Oprethold til enhver tid korrekt fodfæste og balance.**
 21. **OVERBELAST IKKE LEDNINGEN.** Bær aldrig støvsugeren i ledningen eller træk i den for at tage den ud af stikkontakten. Hold ledningen væk fra varme, olie og skarpe kanter. Kontroller støvsugerledningerne med jævne mellemrum. Hvis de er blevet beskadiget, skal de repareres på et autoriseret serviceværksted. Kontroller forlængerledninger regelmæssigt, og udskift dem eventuelt, hvis de er blevet beskadiget.
 22. **Undlad at sammenfolde, rykke i eller træde på slangen.**
 23. **Stop med det samme støvsugeren, hvis du bliver opmærksom på dårlig ydelse eller noget unormalt under brugen.**
 24. **FRAKOBL STØVSUGEREN.** Når maskinen ikke er i brug, før service, og når der skiftes tilbehør.
 25. **Rengør og servicér støvsugeren umiddelbart efter hver brug for at holde den i tiptop funktionstilstand.**
 26. **VEDLIGEHOLD STØVSUGEREN OMHYGGELIGT.** Hold støvsugeren ren for at opnå bedre og sikrere ydelse. Følg instruktionerne for udskiftning af tilbehør. Hold håndtagene tørre, rene og fri for olie og fedt.
 27. **KONTROLLER BESKADIGEDE DELE.** Før støvsugeren bruges igen, skal en beskyttelseskærm eller anden del, som er beskadiget, kontrolleres omhyggeligt for at fastslå, om den vil fungere korrekt og udføre sin tilsigtede funktion. Kontroller for justeringen af bevægelige dele, binding af bevægelige dele, brud på dele, montering og alle andre forhold, der kan påvirke funktionaliteten. En beskyttelseskærm eller anden del, der er beskadiget, skal repareres korrekt eller udskiftes af et autoriseret servicecenter, medmindre andet fremgår andetsteds i denne brugsanvisning. Få defekte afbrydere udskiftet hos et autoriseret servicecenter. Brug ikke støvsugeren, hvis afbryderen ikke kan tænde eller slukke for den.
 28. **For brugerservicering skal maskinen skilles ad, rengøres og serviceres så vidt muligt praktisk uden at udgøre en risiko for vedligeholdelsespersonalet og andre.**
 29. **Der skal foretages teknisk inspektion af maskinen af producenten eller en instrueret person mindst én gang om året, f.eks. bestående af inspektion af filtrene for skader, om maskinen er lufttæt, og om kontrolmekanismen fungerer korrekt.**
 30. **Ved udførelse af service- eller reparationshandlinger skal alle forurenede elementer, som ikke kan rengøres tilfredsstillende, bortskaffes i tætte poser i overensstemmelse med eventuel lovgivning vedrørende bortskaffelse af sådant affald.**
 31. **RESERVEDELE.** Brug kun identiske reservedele i forbindelse med service.
 32. **OPBEVAR STØVSUGEREN, NÅR DEN IKKE BRUGES.** Når maskinen ikke er i brug, skal den opbevares indendørs.
 33. **Våde filtre og den indvendige del af væskebeholderen skal tørres før opbevaring.**
 34. **Behandl din støvsuger godt.** Hårdhændet behandling kan medføre, at selv den mest solidt byggede støvsuger går i stykker.
 35. **Forsøg ikke at rengøre udvendigt eller indvendigt med benzen, fortynder eller kemiske rengøringsmidler.** Dette kan medføre revner og misfarvning.
 36. **Brug ikke støvsugeren i et aflukket lokale, hvor der afgives brændbare, eksplosive eller giftige dampe fra oliebaseret maling, malingsfortynder, benzin, visse mølbmidler osv., eller på steder med brandfarligt støv.**
 37. **Efterlad ikke støvsugerens ledning på gulvet, når du er færdig med en rengøringsopgave.** Den kan udgøre en faldrisiko eller kan beskadige støvsugeren.
 38. **Anvend ikke denne eller andre maskiner, hvis du er påvirket af narkotika eller alkohol.**
 39. **Anvend som grundlæggende sikkerhedsregel beskyttelsesbriller eller sikkerhedsbriller med sideværn.**
 40. **Brug en støvmaske i støvede arbejdsforhold.**
 41. **Denne maskine er ikke beregnet til brug af personer, herunder børn, med reducerede fysiske, sensoriske eller mentale færdigheder eller manglende erfaring og viden.**
 42. **Børn skal overvåges for at sikre, at de ikke leger med støvsugeren.**
 43. **Hånder aldrig forbindelsesledningens stik eller støvsugeren med våde hænder.**
 44. **Vær ekstremt forsigtig ved rengøring på trapper.**
 45. **Anvend ikke støvsugeren som taburet eller arbejdsbænk.** Maskinen kan falde ned og forårsage personskade.

GEM DENNE BRUGSANVISNING.

⚠ ADVARSEL:

LAD IKKE bekvemmelighed eller kendskab til produktet (opnået gennem gentagen brug) forhindre, at sikkerhedsforskrifterne for produktet nøje overholdes. MISBRUG eller forsømmelse af at følge de i denne brugsvejledning givne sikkerhedsforskrifter kan føre til, at De kommer alvorligt til skade.

FUNKTIONSBESKRIVELSE

⚠ ADVARSEL:

- **Inden støvsugeren slutes til stikkontakten, skal det altid sikres, at den er slukket.** Tilsluttes støvsugeren med kontakten slået til, kan det medføre en uventet start og forårsage alvorlig personskade.

Betjening af afbryderkontakten (Fig. 1)

Start støvsugeren ved at dreje afbryderkontakten hen på "I"-siden. Stands den ved at dreje afbryderkontakten hen på "O"-siden.

Sugestykken kan justeres i henhold til dit arbejdsbehov. (Fig. 2)

Sugestykken kan forøges ved at dreje justeringsknappen for sugestykke fra ↶-symbolet til ↷-symbolet.

Tilslutning af elektriske maskiner

⚠ ADVARSEL:

- Vær opmærksom på de maksimale tilsluttede belastninger for udstyrstikket (se SPECIFIKATIONER).
- Sørg for at både støvsugeren og den elektriske maskine er slukket inden tilslutning eller frakobling. Tilsluttes maskinen til støvsugeren med begge maskiner tændt, kan det medføre uventet og pludselig start med alvorlig personskade til følge.

Når der tilsluttes en jordet maskine, skal der indsættes et stik med en jordingsplade til støvsugerens stik. (Fig. 3)

⚠ FORSIGTIG:

- Tilslut aldrig en elektrisk maskine med en indgangseffekt der overstiger den, som er angivet i "SPECIFIKATIONER", til stikket på støvsugeren ved at dreje på justeringsknappen for sugestykke. Tilsluttes der en maskine, som overstiger den angivne indgangseffekt, kan det medføre overophedning og skade på støvsugeren. Se i specifikationerne for at undgå dette.

Støvsugeren kan tilsluttes til en elektrisk maskine med en indgangseffekt på op til den effekt, som er vist under "SPECIFIKATIONER".

For at tilslutte en elektrisk maskine skal du åbne dækslet og indsætte maskinens stik i støvsugerens indgangsstik. Drej afbryderkontakten hen på "AUTO"-positionen. (Fig. 2)

Flyt justeringsknappen for sugestykke hen på en passende position for indgangseffekten på den elektriske maskine, du ønsker at anvende. Se under SPECIFIKATIONER angående forholdet mellem justeringsknappen for sugestykke og indgangseffekten for den elektriske maskine.

Når du tænder og slukker for den tilsluttede elektriske maskine, tændes og slukkes støvsugeren automatisk på samme tid. Støvsugeren fortsætter nogle få sekunder, efter der er slukket for den elektriske maskine.

Efter brug skal maskinen frakobles stikket på støvsugeren.

Sluk støvsugeren efter brug.

Automatisk sugestop under sugning

⚠ ADVARSEL:

- **Må ikke anvendes i længere tid, når flyderen er aktiveret.** Bruges støvsugeren i længere tid, mens flyderen er aktiveret, kan det medføre overophedning og resultere i deformation af støvsugeren.
- **Opsug ikke skum eller sæbeagtig væske.** Opsugning af skum eller sæbeagtig væske kan medføre, at der kommer skum ud af luftudgangen, inden flyderen fungerer. Fortsat brug i denne tilstand

kan medføre elektrisk stød og sammenbrud af støvsugeren.

Støvsugeren er udstyret med en flydemekanisme, der forhindrer, at der trænger vand ind i motoren, når den opsuger mere end en vis mængde vand.

Når tanken er fuld, og støvsugeren ikke længere opsamler vand, skal du slukke for støvsugeren og tømme tanken.

Montering af holderen (Fig. 4)

Når du tilslutter en elektrisk maskine, skal du fastgøre strømforsyningsledningen og slangen vha. holderne med en afstand på ca. 70 - 80 cm mellem de holdere, som følger med støvsugeren, sådan at slangen ikke vikles ind i strømforsyningsledningen.

Brug af apparatkrogen

⚠ FORSIGTIG:

- **Pas på du ikke klemmer fingrene, når du lukker apparatkrogen.** Ellers kan det medføre personskader.

BEMÆRK:

- Anvend ikke stor kraft på apparatkrogen. Anvendes der stor kraft på apparatkrogen, kan den blive beskadiget. Luk apparatkrogen når den ikke er i brug. Ved åbning af apparatkrogen kan den bruges til følgende.

Opbevaring af strømforsyningsledningen

BEMÆRK:

- **Anvend ikke støvsugeren eller en tilsluttet elektrisk maskine mens strømforsyningsledningen er viklet rundt om apparatkrogen.** Brug af støvsugeren eller den tilsluttede elektriske maskine med strømforsyningsledningen kan muligvis beskadige ledningen. (Fig. 5)

Opbevaring af frontmanchetter

Frontmanchetterne 22, 24 og 38 kan blive opbevaret (op til to ad gangen). (Fig. 6)

Opbevaring af slangen (Fig. 7)

Placering af en elektrisk maskine af passende størrelse for apparatkrogen, som f.eks. en rundsav. (Fig. 8)

Låsning og oplåsning af styrehjulet

For modellerne VC1310L og VC2510L (Fig. 9)

For model VC3210L (Fig. 10)

For at låse styrehjulet med en låsearm skal du sænke låsearmen, og styrehjulet vil ikke længere kunne rotere. For at frigøre styrehjulet fra den låste position skal du løfte op i låsearmen.

Låsning af styrehjulet er praktisk ved opbevaring af støvsugeren, ved midlertidig standsning af arbejdet og til at holde støvsugeren stille.

Låsearmen flyttes med håndkraft.

BEMÆRK:

- Sørg for at styrehjulet ikke er låst, når du flytter støvsugeren. Flyttes støvsugeren, mens styrehjulet er i den låste position, kan det muligvis beskadige styrehjulet.

MONTERING

FORSIGTIG:

- Sørg altid for, at støvsugeren er slukket og taget ud af stikkontakten, før du udfører nogen form for arbejde på støvsugeren.
- Bær altid støvmaske under samling eller vedligeholdelse.

Montering af vandfilteret (Fig. 11)

For at opsamle vand eller vådt støv skal du fjerne forfilteret og spjældet og derefter anvende vandfilteret. Når du installerer vandfilteret i tanken, skal du sætte det stramt ved åbningen af tanken, så vandfilterets krog griber ordentligt fat i tankåbningen, og der ikke er noget mellemrum mellem vandfilteret og tanken. (Fig. 12) Installer endvidere vandfilteret sådan at monteringspositionsmærkerne kan justeres ind.

BEMÆRK:

- På modellerne VC2510L og VC3210L er der ingen monteringspositionsmærker, og der behøves ingen indjustering.

Installering af papirposen

ADVARSEL:

- Ved anvendelse af papirposen skal du også samtidigt anvende det forfilter, der er formonteret på maskinen. Bruges forfilteret ikke samtidigt, kan det medføre unormal støj og varmeudvikling, med brand til følge.

FORSIGTIG:

- Opsaml aldrig vand eller andre væsker eller vådt støv, når du anvender papirposen. Opsamling af sådanne ting kan medføre, at papirposen går i stykker.
1. Fjern gummiholderen. (Fig. 13)
 2. Fold papirposen ud.
 3. Juster papirposens åbning ind med støvindsugningsåbningen på støvsugeren. (Fig. 14 og 15)
 4. Indsæt også papirposens papstykke således at det er sat helt ind på plads og ført over låsefremspringet.

Montering af rørholderen (fås som tilbehør)

Kun for model VC1310L

Tryk på ledningskrogen som vist på figuren. (Fig. 16) Monter rørholderen på ledningskrogen. (Krogene vender væk fra tankdækslet.)

Løft rørholderen så meget at krogene stadig har kontakt med tankdækslet og tryk på A-sektionen på rørholderen. (Fig. 17)

Tryk meget hårdt på A-sektionen og sænk rørholderen, mens A-sektionen er trykket ind. (Fig. 18)

Placer de to fremspring på rørholderen i rillerne på tankdækslet og tryk derefter ned på rørholderen. (Fig. 19 og 20)

BEMÆRK:

- Hvis rørholderen er sænket væsentligt mere end den tilsigtede position, kan den ikke monteres på ledningskrogen med krogen vendende væk fra tankdækslet som vist på figuren. (Fig. 21)

BEMÆRK:

- Sørg for, at rørholderens to kroge er hægtet ordentligt fast på tankdækslet. (Fig. 22)

Tilslutning af en slange

FORSIGTIG:

- Anvend aldrig kræfter til at bøje slangen og tramp ikke på den. Flyt aldrig støvsugeren vha. slangen. Anvendelse af kræfter på, tramp på eller træk i slangen kan ødelægge eller deformere slangen.
- Ved opsamling af større affaldsrester som f.eks. høvlerester, betonstøv eller andre lignende større affaldsrester, skal du anvende slangen med en indvendig diameter 38 mm (fås som tilbehør). Anvendelse af slangen med en indvendig diameter på 28 mm kan medføre tilstopning og skader. Indsæt slangen i tankens monteringsåbning og drej den med uret indtil den låser. (Fig. 23)

Montering af polyethylenpose

Støvsugeren kan også bruges uden polyethylenpose. Men ved anvendelse af polyethylenposen er det nemmere at tømme tanken uden at få beskidte hænder. Bred polyethylenposen ud i tanken. Indsæt den mellem holderpladen og tanken og træk den hen til slangeindgangen. (Fig. 24) Før posen omkring kanten af tanken. Hægt posen omkring kanten af tanken, så forfilterkrogen kan få fat og holde den sikkert på plads. (Fig. 25)

BEMÆRK:

- Der kan anvendes en polyethylenpose, som fås på markedet. Der anbefales en på 0,04 mm eller tykkere.
- Hvis der opsamles for meget støv i posen, går den nemt i stykker, så du bør ikke opsamle mere støv, end til posen er halvt fyldt op.

Tømning af polyethylenposen

ADVARSEL:

- Sørg altid for at støvsugeren er slukket, og stikket er taget ud, inden du tømmer polyethylenposen. Sikres dette ikke, kan det medføre elektrisk stød og alvorlig personskade.

FORSIGTIG:

- Tryk ikke hårdt på pulverfilteret og tanken. Hårdt tryk kan medføre deformation og beskadigelse af pulverfilteret og tanken.
- Tøm tanken mindst én gang om dagen, selvom dette afhænger af den opsamlede støvmængde i tanken. Ellers aftager sugestyrken, og motoren kan gå i stykker.
- Tag ikke fat i krogen, når du tømmer tanken. Tager du fat i krogen kan du risikere, at den går i stykker. Lås tankdækslet op og løft op. (Fig. 26) Ryst støvet af pulverfilteret, spjældet og forfilteret og tag derefter polyethylenposen ud af tanken. (Fig. 27)

BEMÆRK:

- Tag forsigtigt polyethylenposen ud fra tanken sådan at polyethylenposen ikke sidder fast i og rives i stykker af fremspringet inde i tanken, når du tømmer den.

- Tøm polyethylenposen inden den er fyldt op. Hvis der er for meget støv i tanken, kan polyethylenposen gå i stykker.

Montering af pulverfilteret (til tørt støv) (Fig. 11)

Placer forfilteret i tanken.

Montér derefter spjældet på pulverfilteret og placer det herefter i forfilteret.

Når pulverfilteret og forfilteret installeres, skal monteringspositionsmærkerne på dem justeres ind med mærket øverst i tanken.

Til sidst monteres tankdækslet.

BEMÆRK:

- På modellerne VC2510L og VC3210L er der ingen monteringspositionsmærker, og der behøves ingen indjustering.
- Inden brug af pulverfilteret skal du sikre dig, at forfilteret og spjældet altid anvendes sammen. Det er ikke tilladt at installere pulverfilteret alene.
- Inden brug af papirposen skal du sikre dig, at pulverfilteret, spjældet og forfilteret altid anvendes sammen.

Montering af pulverfilteret (HEPA)

Ekstraudstyr, kun til rådighed for modellerne VC2510L og VC3210L (Fig. 28)

For at anvende pulverfilter (HEPA) skal du fjerne flyderburet og flyderen ved at fjerne boltene. Følg derefter proceduren i afsnittet "Montering af pulverfilter (til tørt støv)"

Transport af støvsugeren (Fig. 29)

Når du transporterer støvsugeren, skal du holde i håndtaget på støvsugerens hoved som vist på figuren. Håndtaget er placeret nede i støvsugerens hoved, når det ikke er i brug.

VEDLIGEHOVELSE

⚠ FORSIGTIG:

- Sørg altid for, at maskinen er slukket, og stikket er taget ud, før du udfører inspektion eller vedligeholdelse.

Opbevaring af strømforsyningsledningen

Kun for model VC1310L (Fig. 30 og 31)

Træk ledningskroge ud eller åbn apparatkroge. Rul strømforsyningsledningen op og hæng den på ledningskroge eller rul den omkring apparatkroge.

BEMÆRK:

- Anvend ikke kræfter til at få strømforsyningsledningen af ledningskroge, når du prøver at tage den af. Anvender du kræfter for at få strømforsyningsledningen af ledningskroge, kan det beskadige ledningen.

For modellerne VC2510L og VC3210L (Fig. 32 og 33)

Vikl strømforsyningsledningen omkring apparatkroge.

Opbevaring af tilbehør

BEMÆRK:

- Anvend ikke for mange kræfter på tilbehør som holdes fast i rørholderen. Anvendes der for mange kræfter på disse tilbehør, kan det beskadige rørholderen.

Kun for model VC1310L (Fig. 34)

Rørholderen kan anvendes til opbevaring af lige rør, bøjet rør, hjørnemundstykke og lignende ved blot at indsætte disse tilbehør.

Rørene kan også placeres i rørholderen, når støvsugeren standses et stykke tid undervejs i arbejdet. (Fig. 35)

For modellerne VC2510L og VC3210L (Fig. 36)

Rørstøtten kan anvendes til opbevaring af lige rør, bøjet rør og andet ved blot at indsætte disse tilbehør. (Fig. 37) Rørene kan også placeres i rørholderen, når støvsugeren standses et stykke tid undervejs i arbejdet.

Rengøring

⚠ FORSIGTIG:

- Brug aldrig benzin, benzen, fortynder, alkohol eller lignende. Det kan muligvis medføre misfarvning, deformation eller revner.

Tilstopet pulverfilter, forfilter og spjæld kan medføre nedsat sugestykke. (Fig. 38)

Rengør ind i mellem filtrene og spjældene.

For at fjerne støv eller partikler som sidder fast i filtrene, skal du ryste bunddrammen hurtigt adskillige gange.

Vask ind i mellem pulverfilteret med vand, og skyl og tør det omhyggeligt i skyggen inden brug. Vask aldrig filtre i en vaskemaskine. (Fig. 39)

BEMÆRK:

- Du skal hverken skure på eller ridse pulverfilteret, forfilteret eller spjældet med hårde genstande som f.eks. en børste eller en spatel.
- Filtrene er forbrugsgenstande, og det anbefales at have nogle i reserve.

For at holde produktet SIKKERT og PÅLIDELIGT skal reparationer samt al anden vedligeholdelse eller justering udføres af autoriserede Makita-servicecentre, og der skal altid benyttes Makita-reservedele.

EKSTRAUDSTYR

⚠ FORSIGTIG:

- Dette tilbehør eller ekstraudstyr anbefales til brug med det Makita-værktøj, som er beskrevet i denne brugsanvisning. Brug af andet tilbehør eller ekstraudstyr kan forårsage personskade. Brug kun tilbehør eller ekstraudstyr til det formål, det er beregnet til.

Henvend dig til dit lokale Makita-servicecenter, hvis du har brug for hjælp eller yderligere oplysninger vedrørende tilbehøret.

- Slange
- Frontmanchetter (22, 24, 38)
- Lige rør
- Hjørnemundstykke
- Rund børste
- Pulverfilter (til tørt materiale)
- Spjæld
- Forfilter
- Mundstykkemontering

- Bøjet rør
- Polyethylenpose
- Filter (til vand)
- Papirpose
- Holdersæt
- Rørholder (kun for Model VC1310L)
- Pulverfilter (HEPA) (For modellerne VC2510L og VC3210L)

BEMÆRK:

- Visse dele på listen er muligvis indeholdt maskinindpakningen som standardtilbehør. De kan variere fra land til land.

Støj

ENG905-1

Det typiske A-vægtede støjniveau bestemt i overensstemmelse med IEC60335-2-69:

Model VC1310L

Lydtryksniveau (L_{pA}): 72 dB (A)

Usikkerhed (K): 2,5 dB (A)

Støjniveauet under arbejdet kan være større end 80 dB (A).

Model VC2510L, VC3210L

Lydtryksniveau (L_{pA}): 73 dB (A)

Usikkerhed (K): 2,5 dB (A)

Støjniveauet under arbejdet kan være større end 80 dB (A).

Bær høreværn.

Vibration

ENG900-1

Den samlede vibrationsværdi (treaksel vektorsum) bestemt i overensstemmelse med IEC60335-2-69:

Værdien for vibrationsemission er under 2,5 m/s².

EF-overensstemmelseserklæring

Kun for europæiske lande

EF-overensstemmelseserklæringen er inkluderet som appendiks A til denne betjeningsvejledning.

ΕΛΛΗΝΙΚΑ (Πρωτογενείς οδηγίες)

ΠΡΟΕΙΔΟΠΟΙΗΣΗ

- Το μηχάνημα αυτό δεν προορίζεται για χρήση από άτομα, συμπεριλαμβανομένων των παιδιών, με μειωμένες σωματικές, αισθητήριες ή διανοητικές ικανότητες, ή από άτομα που δεν έχουν πείρα και γνώσεις.
- Τα παιδιά θα πρέπει να επιτηρούνται για να εξασφαλιστεί ότι δεν παίζουν με τη μηχανή.
- Αν το ηλεκτρικό καλώδιο παρουσιάζει ζημιά, πρέπει να αντικατασταθεί σε εξουσιοδοτημένες εγκαταστάσεις σέρβις.
- Για τις κατάλληλες λεπτομέρειες των προφυλάξεων κατά τη διάρκεια της συντήρησης από τον χρήστη, δείτε το κεφάλαιο "ΣΥΝΤΗΡΗΣΗ".

Γενική περιγραφή

- | | | |
|--|------------------------------------|--------------------------------------|
| 1. Κουμπί ρύθμισης δύναμης αναρρόφησης | 14. Φίλτρο σκόνης | 28. Προεξοχή του στηρίγματος σωλήνων |
| 2. Μοχλός διακόπτης | 15. Αποσβεστήρας | 29. Εγκοπή |
| 3. Καπάκι | 16. Προφίλτρο | 30. Γάντζος |
| 4. Καλώδιο παροχής ρεύματος | 17. Δοχείο | 31. Πλάκα στηρίγματος |
| 5. Στήριγμα | 18. Σήμανση θέσης τοποθέτησης | 32. Σακούλα πολυαιθυλενίου |
| 6. Γάντζος βάσης | 19. Φίλτρο νερού | 33. Πλωτήρας |
| 7. Μπροστινά μανικέτια | 20. Λαστιχένιο στήριγμα | 34. Κλωβός πλωτήρα |
| 8. Εύκαμπτος σωλήνας | 21. Χαρτόνι | 35. Χερούλι |
| 9. Τροχίσκος | 22. Γάντζος καλωδίου | 36. Κεφαλή |
| 10. Ασφαλιστικός μοχλός | 23. Πιέστε | 37. Γάντζος καλωδίου |
| 11. Ελεύθερη θέση (FREE) | 24. Στήριγμα σωλήνων | 38. Ευθύς σωλήνας |
| 12. Θέση κλειδώματος (LOCK) | 25. Τμήμα A | 39. Γωνιακό ακροφύσιο |
| 13. Κάλυμμα δοχείου | 26. Γάντζοι | 40. Τάπα |
| | 27. Πιέστε με δύναμη και χαμηλώστε | |

ΠΡΟΔΙΑΓΡΑΦΕΣ

| Μοντέλο | | VC1310L / VC2510L / VC3210L | | | | | |
|---|------------------------------------|-----------------------------|-----------|---------|-----------|-------|-----------|
| | | EE | AU/NZ | GB 110V | GB 230V | CL | AR/CH |
| Τάση | Volt | 230 - 240 | 230 - 240 | 110 | 230 - 240 | 220 | 230 - 240 |
| Κατανάλωση ρεύματος | Watt | 1.050 | 1.050 | 1.050 | 1.050 | 1.050 | 1.050 |
| Συνδεδεμένο φορτίο για την πρίζα συσκευής | Watt στη λειτουργία του συμβόλου ⚡ | 2.400 | 1.200 | 600 | 1.900 | 2.200 | 1.100 |
| Συνδεδεμένο φορτίο για την πρίζα συσκευής | Watt στη λειτουργία του συμβόλου ↻ | 2.600 | 1.400 | 850 | 2.100 | 2.500 | 1.400 |
| Ολικό συνδεδεμένο φορτίο | Watt | 3.450 | 2.250 | 1.650 | 2.950 | 3.250 | 2.150 |

| Μοντέλο | | VC1310L | VC2510L | VC3210L |
|------------------------|-------|-----------------------------------|--------------------------|--------------------------|
| Όγκος ροής (αέρας) | | 2,0 m ³ /min | | |
| Κενό | | 22 kPa | | |
| Κατηγορία προστασίας | | 1 | | |
| Τύπος προστασίας | | IP X4 (προστασία έναντι διαρροής) | | |
| Ικανότητα ανάκτησης | Σκόνη | 13L | 25L | 32L |
| | Νερό | 7L | 14L | 27L |
| Διαστάσεις (Μ x Π x Υ) | | 366 mm x 334 mm x 420 mm | 432 mm x 416 mm x 451 mm | 552 mm x 398 mm x 685 mm |
| Καθαρό βάρος | | 9,6 kg | 10,5 kg | 14,5 kg |

- Λόγω του συνεχόμενου προγράμματος που εφαρμόζουμε για έρευνα και ανάπτυξη, τα τεχνικά χαρακτηριστικά στο παρόν έντυπο υπόκεινται σε αλλαγή χωρίς προειδοποίηση.
- Τα τεχνικά χαρακτηριστικά ενδέχεται να διαφέρουν ανάλογα με τη χώρα.
- Το βάρος δεν περιλαμβάνει εξαρτήματα.

Παρακάτω παρουσιάζονται τα σύμβολα που χρησιμοποιούνται για τον εξοπλισμό. Βεβαιωθείτε ότι κατανοείτε τη σημασία τους πριν από τη χρήση.



..... Διαβάστε το εγχειρίδιο οδηγιών.



..... Απαιτούνται ιδιαίτερη φροντίδα και προσοχή.



..... Προσοχή! Η ηλεκτρική σκούπα μπορεί να περιέχει επικίνδυνη σκόνη.



..... Ποτέ μην στέκεστε πάνω στην ηλεκτρική σκούπα.



..... Σκόνη τάξης L (ελαφριά). Οι σκούπες αναρρόφησης έχουν τη δυνατότητα να συλλέγουν σκόνη τάξης L. Ακολουθήστε τους κανονισμούς της χώρας σας όσον αφορά τη σκόνη καθώς και την υγεία και ασφάλεια στο χώρο εργασίας.



..... Μόνο για τις χώρες της ΕΕ
Λόγω της παρουσίας των επικίνδυνων συστατικών μερών στον εξοπλισμό, ο χρησιμοποιημένος ηλεκτρικός και ηλεκτρονικός εξοπλισμός μπορεί να έχει αρνητική επίδραση στο περιβάλλον και την ανθρώπινη υγεία.

Μην απορρίπτετε τις ηλεκτρικές και ηλεκτρονικές συσκευές μαζί με τα οικιακά απορρίμματα!

Σύμφωνα με την Ευρωπαϊκή Οδηγία για τον απόβλητο ηλεκτρικό και ηλεκτρονικό εξοπλισμό, καθώς και την προσαρμογή της στην εθνική νομοθεσία, ο χρησιμοποιημένος ηλεκτρικός και ηλεκτρονικός εξοπλισμός θα πρέπει να συλλέγεται ξεχωριστά και να παραδίδεται σε ξεχωριστό σημείο συλλογής για δημοτικά απόβλητα, το οποίο λειτουργεί σύμφωνα με τους κανονισμούς προστασίας του περιβάλλοντος.

Αυτό υποδεικνύεται από το σύμβολο του διαγραμμένου τροχοφόρου κάδου που βρίσκεται αναρτημένο επάνω στον εξοπλισμό.

Προοριζόμενη χρήση

ENE084-1

Το εργαλείο προορίζεται για τη συλλογή τόσο της υγρής όσο και της στεγνής σκόνης. Το εργαλείο είναι κατάλληλο για επαγγελματική χρήση, για παράδειγμα σε ξενοδοχεία, σχολεία, νοσοκομεία, εργοστάσια, καταστήματα, γραφεία και επιχειρήσεις ενοικίασης.

Ηλεκτρική παροχή

ENF001-1

Το εργαλείο πρέπει να συνδέεται μόνο σε ηλεκτρική παροχή της ίδιας τάσης με αυτήν που αναγράφεται στην πινακίδα ονομαστικών τιμών και μπορεί να λειτουργήσει μόνο με εναλλασσόμενο μονοφασικό ρεύμα. Αυτό το εργαλείο πρέπει να είναι γεωμενόμενο κατά τη χρήση του για την προστασία του χειριστή έναντι της ηλεκτροπληξίας. Χρησιμοποιήστε μόνο καλώδια προέκτασης τριών συρμάτων τα οποία διαθέτουν βύσματα γείωσης με τρεις

απολήξεις και πρίζες με τρεις οπές που να ταιριάζουν με το βύσμα του εργαλείου.

ΠΡΟΕΙΔΟΠΟΙΗΣΕΙΣ ΑΣΦΑΛΕΙΑΣ ΗΛΕΚΤΡΙΚΗΣ ΣΚΟΥΠΑΣ

ENB119-6

⚠ ΠΡΟΕΙΔΟΠΟΙΗΣΗ: ΣΗΜΑΝΤΙΚΟ! ΔΙΑΒΑΣΤΕ ΠΡΟΣΕΚΤΙΚΑ όλες τις προειδοποιήσεις για την ασφάλεια και όλες τις οδηγίες ΠΡΙΝ ΑΠΟ ΤΗ ΧΡΗΣΗ. Η μη τήρηση των προειδοποιήσεων και οδηγιών μπορεί να καταλήξει σε ηλεκτροπληξία, πυρκαγιά ή/και σοβαρό τραυματισμό.

1. Πριν από τη χρήση, βεβαιωθείτε ότι αυτή η μηχανή θα χρησιμοποιηθεί από άτομα στα οποία έχουν δοθεί επαρκείς οδηγίες για τη χρήση αυτής της μηχανής.
2. Πριν τη χρήση, στους χειριστές θα δοθούν πληροφορίες, οδηγίες και εκπαίδευση για τη χρήση του μηχανήματος και των ουσιών με τις οποίες θα χρησιμοποιηθεί, συμπεριλαμβανομένης της ασφαλούς μεθόδου αφαίρεσης και διάθεσης του υλικού που συλλέχθηκε.
3. Να χρησιμοποιείτε την πρίζα της ηλεκτρικής σκούπας μόνο για τους σκοπούς που καθορίζονται στις οδηγίες.
4. Αν βγει αφρός/υγρό, σβήστε αμέσως.
5. Να καθαρίζετε τακτικά τη διάταξη περιορισμού της στάθμης νερού και να την εξετάζετε για ενδείξεις ζημιάς.
6. Μη χρησιμοποιείτε τη μηχανή χωρίς το φίλτρο. Αντικαταστήστε αμέσως ένα φίλτρο που έχει υποστεί ζημιά.
7. **ΧΡΗΣΗ ΤΟΥ ΚΑΛΩΔΙΟΥ ΠΡΟΕΚΤΑΣΗΣ (ΜΠΑΛΑΝΤΕΖΑΣ).** Όταν χρησιμοποιείτε καλώδιο προέκτασης (μπαλάντζα) επειδή η ηλεκτρική παροχή απέχει μεγάλη απόσταση, προσπαθήστε να χρησιμοποιήσετε ένα καλώδιο με αρκετά μεγάλο πάχος, αλλά όχι μεγάλο μήκος, διαφορετικά η απόδοση θα μειωθεί. Για εφαρμογές σε εξωτερικούς χώρους, να χρησιμοποιείτε καλώδιο προέκτασης (μπαλάντζα) κατάλληλο για εξωτερική χρήση.
8. **ΠΡΟΕΙΔΟΠΟΙΗΣΗ ΤΑΣΗΣ:** Πριν συνδέσετε τη σκούπα σε ηλεκτρική παροχή (ρευματοδότη, πρίζα, κτλ.), βεβαιωθείτε ότι η τάση που παρέχεται είναι η ίδια με αυτή που καθορίζετε στην πινακίδα ονομαστικών τιμών της σκούπας. Ηλεκτρική παροχή με τάση μεγαλύτερη από αυτή που έχει καθοριστεί για τη σκούπα μπορεί να έχει ως αποτέλεσμα **ΣΟΒΑΡΟ ΤΡΑΥΜΑΤΙΣΜΟ** του χειριστή, καθώς και ζημιά στη σκούπα. Αν έχετε αμφιβολίες, **ΜΗΝ ΣΥΝΔΕΣΕΤΕ ΤΟ ΦΙΣ ΤΟΥ ΗΛΕΚΤΡΙΚΟΥ ΚΑΛΩΔΙΟΥ ΤΗΣ ΣΚΟΥΠΑΣ ΣΤΟ ΡΕΥΜΑ.** Αν χρησιμοποιείτε ηλεκτρική παροχή με τάση μικρότερη από την ονομαστική τιμή στην πινακίδα, μπορεί να προκληθεί ζημιά στο μοτέρ.
9. **ΝΑ ΑΠΟΦΕΥΓΕΤΕ ΤΗΝ ΑΘΕΛΗΤΗ ΕΝΕΡΓΟΠΟΙΗΣΗ.** Βεβαιωθείτε ότι ο διακόπτης είναι **ΚΛΕΙΣΤΟΣ** όταν συνδέετε το φως του ηλεκτρικού καλωδίου σε ρεύμα.
10. **Μην επιχειρήσετε να συλλέξετε εύφλεκτα υλικά, πυροτεχνήματα, αναμμένα τσιγάρα, καυτές στάχτες, ζεστά μεταλλικά θραύσματα, αιχμηρά**

- αντικείμενα όπως ξυραφάκια, βελόνες, σπασμένο γυαλί ή παρόμοια αντικείμενα.
11. ΜΗ ΧΡΗΣΙΜΟΠΟΙΕΙΤΕ ΠΟΤΕ ΤΗ ΜΗΧΑΝΗ ΚΟΝΤΑ ΣΕ ΒΕΝΖΙΝΗ, ΑΕΡΙΑ, ΜΠΟΓΙΑ, ΚΟΛΛΕΣ Ή ΑΛΛΕΣ ΥΨΗΛΑ ΕΚΡΗΚΤΙΚΕΣ ΟΥΣΙΕΣ. Ο διακόπτης παράγει σπινθήρες όταν ενεργοποιείται και απενεργοποιείται. Το ίδιο ο μετατροπέας μοτέρ κατά τη διάρκεια της λειτουργίας. Μπορεί να προκύψει επικίνδυνη έκρηξη.
 12. Μην αναρροφάτε ποτέ τοξικά, καρκινογόνα, καύσιμα ή άλλα επικίνδυνα υλικά, όπως αμίαντο, αρσενικό, βάριο, βηρύλλιο, μόλυβδο, εντομοκτόνα ή άλλα υλικά που αποτελούν κίνδυνο για την υγεία.
 13. Να τοποθετείτε πάντα τη σκούπα σε οριζόντια επίπεδη επιφάνεια, για να αποφευχθεί η πτώση ή η μετακίνησή της κατά λάθος.
 14. Μη χρησιμοποιείτε ποτέ τη μηχανή σε εξωτερικό χώρο στη βροχή.
 15. Για τη Φιλανδία, αυτό το μηχάνημα δεν πρέπει να χρησιμοποιηθεί σε εξωτερικούς χώρους σε χαμηλή θερμοκρασία.
 16. Μη χρησιμοποιείτε κοντά σε πηγές θερμότητας (φούρνοι, κτλ.).
 17. Αν ο αέρας εξαγωγής επιστρέφει στο δωμάτιο, είναι απαραίτητο να φροντίσετε για τον επαρκή ρυθμό αλλαγής του αέρα στο δωμάτιο. Είναι απαραίτητο να ανατρέξετε στους εθνικούς κανονισμούς.
 18. ΝΑ ΠΡΟΣΤΑΤΕΥΕΤΕ ΑΠΟ ΤΗΝ ΠΡΟΚΛΗΣΗ ΗΛΕΚΤΡΟΠΛΗΞΙΑΣ. Αποφεύγετε την επαφή του σώματος με γειωμένες επιφάνειες. Για παράδειγμα, σωλήνες, καλοριφέρ, φούρνους και ψυγεία.
 19. Μη φράσσετε τα ανοίγματα ψύξης. Αυτά τα ανοίγματα επιτρέπουν την ψύξη του μοτέρ. Θα πρέπει να αποφευχθεί προσεκτικά το φράξιμο, διαφορετικά το μοτέρ θα καεί λόγω έλλειψης αερισμού.
 20. Να στέκεστε πάντα σταθερά και ισοροπημένα.
 21. ΜΗΝ ΚΑΚΟΜΕΤΑΧΕΙΡΙΖΕΤΕ ΤΟ ΚΑΛΩΔΙΟ. Μην μεταφέρετε τη σκούπα κρατώντας την από το ηλεκτρικό καλώδιο και μην τραβάτε το ηλεκτρικό καλώδιο απότομα για να το αποσυνδέσετε από την πρίζα. Να διατηρείτε το ηλεκτρικό καλώδιο μακριά από τη θερμότητα, τα λάδια και αιχμηρά αντικείμενα. Να ελέγχετε τα καλώδια της σκούπας τακτικά και, αν έχουν ζημιά, στείλτε τα για επισκευή από εξουσιοδοτημένο κέντρο σέρβις. Να επιθεωρείτε τα καλώδια προέκτασης (μπαλαντζές) περιοδικά και να τα αντικαθιστάτε, αν παρουσιάζουν ζημιά.
 22. Μη διπλώνετε, μην τραβάτε και μην πατάτε τον εύκαμπο σωλήνα.
 23. Διακόψτε αμέσως τη λειτουργία της μηχανής αν παρατηρήσετε ανεπαρκή απόδοση ή οτιδήποτε ασυνήθιστο κατά τη λειτουργία.
 24. ΑΠΟΣΥΝΔΕΣΤΕ ΤΗ ΣΚΟΥΠΑ. Όταν δεν χρησιμοποιείται, πριν από το σέρβις και όταν αλλάζετε αξεσουάρ.
 25. Καθαρίστε και εκτελέστε σέρβις στη μηχανή αμέσως μετά από κάθε χρήση για να διατηρείται σε άριστη λειτουργική κατάσταση.
 26. ΔΙΑΤΗΡΕΙΤΕ ΤΗ ΜΗΧΑΝΗ ΜΕ ΠΡΟΣΟΧΗ. Να διατηρείτε τη μηχανή καθαρή για την καλύτερη και ασφαλέστερη απόδοση. Να ακολουθείτε τις οδηγίες για την αλλαγή των αξεσουάρ. Να διατηρείτε τις λαβές στεγνές, καθαρές, χωρίς λάδι και γράσο.
 27. ΝΑ ΕΛΕΓΧΕΤΕ ΤΑ ΜΕΡΗ ΜΕ ΖΗΜΙΑ. Πριν από την περαιτέρω χρήση της μηχανής, θα πρέπει να ελέγχετε προσεκτικά τυχόν προστατευτικά εξαρτήματα ή άλλα εξάρτημα με ζημιά για να καθορίσετε αν θα λειτουργήσουν σωστά και αν θα πραγματοποιήσουν την προοριζόμενη λειτουργία τους. Ελέγξτε την ευθυγράμμιση των κινούμενων μερών, την ελεύθερη κίνηση των κινούμενων μερών, το τυχόν σπάσιμο εξαρτημάτων, τη στρέωση και οποιεσδήποτε άλλες συνθήκες που μπορεί να επηρεάσουν τη λειτουργία του εργαλείου. Ένα προστατευτικό ή άλλο εξάρτημα με ζημιά θα πρέπει να επισκευαστεί ή να αντικατασταθεί σωστά σε εξουσιοδοτημένο κέντρο σέρβις εκτός αν δηλώνεται διαφορετικά στο παρόν εγχειρίδιο οδηγιών. Οι ελαττωματικοί διακόπτες πρέπει να αντικαθίστανται σε εξουσιοδοτημένο κέντρο σέρβις. Μη χρησιμοποιείτε τη μηχανή αν ο διακόπτης δεν την ενεργοποιεί και δεν την απενεργοποιεί.
 28. Για τις εργασίες σέρβις από τον χρήστη, το μηχάνημα μπορεί να αποσυναρμολογηθεί, να καθαριστεί και να συντηρηθεί, όσο είναι εύλογα πρακτικό, χωρίς να προκληθεί κίνδυνος στο προσωπικό συντήρησης και σε άλλους.
 29. Το μηχάνημα θα πρέπει να υπόκειται σε τεχνική επιθεώρηση από τον κατασκευαστή, ή από εντεταλμένο άτομο, τουλάχιστον ετησίως, περιλαμβάνοντας, για παράδειγμα, την επιθεώρηση των φίλτρων για ζημιά, την αεροστεγανότητα του μηχανήματος και τη σωστή λειτουργία του μηχανισμού ελέγχου.
 30. Όταν διεξάγετε εργασίες σέρβις ή επισκευές, όλα τα μολυσμένα στοιχεία που δεν μπορούν να καθαριστούν σε ικανοποιητικό βαθμό πρέπει να διατεθούν. Αυτά τα στοιχεία πρέπει να διατεθούν μέσα σε αδιαπέραστες σακούλες σύμφωνα με οποιονδήποτε ισχύοντα κανονισμό για τη διάθεση τέτοιων αποβλήτων.
 31. ΑΝΤΑΛΛΑΚΤΙΚΑ. Κατά το σέρβις, να χρησιμοποιείτε μόνο γνήσια ανταλλακτικά.
 32. ΝΑ ΑΠΟΘΗΚΕΥΕΤΕ ΤΗ ΜΗΧΑΝΗ ΟΤΑΝ ΔΕΝ ΤΗ ΧΡΗΣΙΜΟΠΟΙΕΙΤΕ. Όταν δεν χρησιμοποιείται, η μηχανή θα πρέπει να αποθηκεύεται σε εσωτερικό χώρο.
 33. Τα υγρά φίλτρα και το εσωτερικό μέρος του δοχείου υγρού πρέπει να στεγνώσουν πριν την αποθήκευση.
 34. Να προσέχετε τη μηχανή. Ο σκληρός χειρισμός μπορεί να προκαλέσει το σπάσιμο ακόμη και της πιο καλοκατασκευασμένης μηχανής.
 35. Μην επιχειρήσετε να καθαρίσετε το εξωτερικό ή το εσωτερικό με βενζίνη, νέφτι ή καθαριστικές χημικές ουσίες. Μπορεί να προκληθούν ρωγμές και αποχρωματισμός.
 36. Μη χρησιμοποιείτε τη μηχανή σε κλειστό χώρο στον οποίο απελευθερώνονται εύλεκτοι, εκρηκτικοί ή τοξικοί ατμοί από μογιές με βάση το

λάδι, νέφτι, βενζίνη, μερικές ουσίες κατά της σκουριάς, κτλ., ή σε περιοχές όπου υπάρχει εύφλεκτη σκόνη.

37. Μην αφήνετε το ηλεκτρικό καλώδιο της σκούπας στο δάπεδο αφού έχετε τελειώσει με τον καθαρισμό. Μπορεί να αποτελέσει κίνδυνο για παραπάτημα ή μπορεί να προκαλέσει ζημιά στη σκούπα.
38. Μη χρησιμοποιείτε αυτό το εργαλείο ή οποιοδήποτε άλλο εργαλείο υπό την επήρεια ναρκωτικών ουσιών ή αλκοόλ.
39. Ως βασικός κανόνας ασφαλείας, να χρησιμοποιείτε γυαλιά ασφαλείας ή γυαλιά με πλαϊνά προστατευτικά.
40. Να χρησιμοποιείτε μάσκα κατά της σκόνης σε συνθήκες με πολλή σκόνη.
41. Το μηχάνημα αυτό δεν προορίζεται για χρήση από άτομα, συμπεριλαμβανομένων των παιδιών, με μειωμένες σωματικές, αισθητήριες ή διανοητικές ικανότητες, ή από άτομα που δεν έχουν πείρα και γνώσεις.
42. Τα παιδιά θα πρέπει να επιτηρούνται για να εξασφαλιστεί ότι δεν παίζουν με τη μηχανή.
43. Μη χειρίζεστε ποτέ το ηλεκτρικό καλώδιο ή τη σκούπα με βρεγμένα χέρια.
44. Να προσέχετε ιδιαίτερα όταν καθαρίζετε σκαλοπάτια.
45. Μη χρησιμοποιείτε τη μηχανή για σκαμπό ή πάγκο εργασίας. Η μηχανή σκούπας μπορεί να πέσει και να προκαλέσει προσωπικό τραυματισμό.

ΦΥΛΑΞΤΕ ΤΙΣ ΟΔΗΓΙΕΣ ΑΥΤΕΣ.

⚠️ ΠΡΟΕΙΔΟΠΟΙΗΣΗ:

ΜΗΝ επιτρέψετε το βαθμό άνεσης ή εξοικείωσης με το προϊόν (λόγω επανειλημμένης χρήσης) να αντικαταστήσει την αυστηρή τήρηση των κανόνων ασφαλείας του παρόντος εργαλείου. Η ΛΑΝΘΑΣΜΕΝΗ ΧΡΗΣΗ ή η αμέλεια να ακολουθήσετε τους κανόνες ασφαλείας που διατυπώνονται στο παρόν εγχειρίδιο οδηγιών μπορεί να προκαλέσει σοβαρό προσωπικό τραυματισμό.

ΠΕΡΙΓΡΑΦΗ ΛΕΙΤΟΥΡΓΙΑΣ

⚠️ ΠΡΟΕΙΔΟΠΟΙΗΣΗ:

- Πριν συνδέετε την ηλεκτρική σκούπα στο ηλεκτρικό ρεύμα, να βεβαιώνετε ότι είναι σβηστή. Η σύνδεση στο ρεύμα της ηλεκτρικής σκούπας με ανοικτό το διακόπτη, μπορεί να προκαλέσει την ανεπιθύμητη εκκίνηση και να προκληθεί σοβαρός προσωπικός τραυματισμός.

Δράση διακόπτη (Εικ. 1)

Για να ξεκινήσετε τη λειτουργία της ηλεκτρικής σκούπας, περιστρέψτε το μοχλό διακόπτη στη θέση "I". Για να τη σταματήσετε, περιστρέψτε το μοχλό διακόπτη στη θέση "O".

Η ισχύς αναρρόφησης μπορεί να ρυθμιστεί αναλόγως των απαιτήσεων εργασίας. (Εικ. 2)

Η απορροφητική ισχύς μπορεί να αυξηθεί με την περιστροφή του κουμπιού ρύθμισης της δύναμης αναρρόφησης από το σύμβολο ↶ στο σύμβολο ☼ .

Συνδέοντας ηλεκτρικά εργαλεία

⚠️ ΠΡΟΕΙΔΟΠΟΙΗΣΗ:

- Τηρήστε τα μέγιστα επιτρεπόμενα φορτία σύνδεσης για την πρίζα της συσκευής (Ανατρέξτε στις ΠΡΟΔΙΑΓΡΑΦΕΣ.)
- Βεβαιωθείτε ότι τόσο η ηλεκτρική σκούπα όσο και το ηλεκτρικό εργαλείο είναι απενεργοποιημένα προτού συνδέσετε ή αποσυνδέσετε. Η σύνδεση του ηλεκτρικού εργαλείου στην ηλεκτρική σκούπα όταν και των δυο οι διακόπτες είναι ανοικτοί, ενδέχεται να προκαλέσει απροσδόκητη και αιφνίδια έναρξη με αποτέλεσμα το σοβαρό τραυματισμό.

Όταν συνδέετε ένα γειωμένο εργαλείο, εισάγετε ένα βύσμα με πλάκα γείωσης στην πρίζα της ηλεκτρικής σκούπας. (Εικ. 3)

⚠️ ΠΡΟΣΟΧΗ:

- Μην συνδέετε ποτέ ένα ηλεκτρικό εργαλείο με ισχύ εισόδου που υπερβαίνει αυτή που αναφέρεται στις "ΠΡΟΔΙΑΓΡΑΦΕΣ" στην πρίζα της ηλεκτρικής σκούπας περιστρέφοντας το κουμπί ρύθμισης της δύναμης αναρρόφησης. Η σύνδεση ενός ηλεκτρικού εργαλείου, η ισχύς του οποίου υπερβαίνει την καθορισμένη ισχύ εισόδου, μπορεί να προκαλέσει υπερθέρμανση και βλάβη της ηλεκτρικής σκούπας. Για να αποφύγετε το γεγονός αυτό ανατρέξτε στις προδιαγραφές.

Η ηλεκτρική σκούπα μπορεί να συνδεθεί σε ένα ηλεκτρικό εργαλείο μέχρι την ισχύ εισόδου που δείχνεται στις "ΠΡΟΔΙΑΓΡΑΦΕΣ".

Για να συνδέσετε ένα ηλεκτρικό εργαλείο, ανοίξτε το καπάκι και τοποθετήστε το βύσμα του ηλεκτρικού εργαλείου στην πρίζα της ηλεκτρικής σκούπας. Περιστρέψτε το μοχλό διακόπτη στη θέση "AUTO".

(Εικ. 2)

Μετακινήστε το κουμπί ρύθμισης της δύναμης αναρρόφησης στη θέση που είναι κατάλληλη για την ισχύ εισόδου του ηλεκτρικού εργαλείου που σκοπεύετε να χρησιμοποιήσετε. Ανατρέξτε στις ΠΡΟΔΙΑΓΡΑΦΕΣ για τη σχέση μεταξύ του κουμπιού ρύθμισης της δύναμης αναρρόφησης και την ισχύ εισόδου του ηλεκτρικού εργαλείου.

Το άνοιγμα και το κλείσιμο του διακόπτη του συνδεδεμένου ηλεκτρικού εργαλείου επιφέρει ταυτόχρονα τη δράση εκκίνησης και διακοπής της ηλεκτρικής σκούπας. Η ηλεκτρική σκούπα εξακολουθεί να λειτουργεί για μερικά δευτερόλεπτα ακόμη και μετά από την απενεργοποίηση του ηλεκτρικού εργαλείου.

Μετά τη χρήση, αποσυνδέστε το ηλεκτρικό εργαλείο από την πρίζα της ηλεκτρικής σκούπας.

Σβήστε την ηλεκτρική σκούπα μετά τη χρήση.

Διακοπή αυτόματης αναρρόφησης κατά τη διάρκεια της λειτουργίας αναρρόφησης

⚠️ ΠΡΟΕΙΔΟΠΟΙΗΣΗ:

- Μη χρησιμοποιείτε για μακρό χρονικό διάστημα όταν λειτουργεί ο πλωτήρας. Η χρήση της ηλεκτρικής σκούπας με το πλωτήρα σε λειτουργία για μεγάλο χρονικό διάστημα μπορεί να προκαλέσει υπερθέρμανση, με αποτέλεσμα την παραμόρφωση της ηλεκτρικής σκούπας.
- Μην τραβάτε από ή υγρό σαπουνάδας. Το τράβηγμα αφρού ή υγρού με σαπουνάδα μπορεί να

προκαλέσει την έξοδο του αφρού από το σημείο εξόδου αέρα πριν από τη λειτουργία του πλωτήρα. Αν συνεχίσετε τη χρήση σε αυτήν την κατάσταση μπορεί να προκληθεί ηλεκτροπληξία και βλάβη της ηλεκτρικής σκούπας.

Η ηλεκτρική σκούπα διαθέτει έναν μηχανισμό επίπτωσης που εμποδίζει την είσοδο του νερού στο μοτέρ όταν μαζεύεται περισσότερο από μια ορισμένη ποσότητα νερού.

Όταν το δοχείο είναι πλήρες και η ηλεκτρική σκούπα δεν μαζεύει πια το νερό, σβήστε την ηλεκτρική σκούπα και αδειάστε το δοχείο.

Τοποθέτηση του πλωτήρα (Εικ. 4)

Κατά τη σύνδεση ενός ηλεκτρικού εργαλείου, ασφαλίστε το καλώδιο τροφοδοσίας ρεύματος και τον εύκαμπτο σωλήνα χρησιμοποιώντας τα στηρίγματα που παρέχονται με την ηλεκτρική σκούπα ανά 70 cm - 80 cm απόσταση μεταξύ τους, ώστε ο εύκαμπτος σωλήνας να μην εμπλακεί με το καλώδιο τροφοδοσίας.

Χρήση του γάντζου βάσης

⚠️ ΠΡΟΣΟΧΗ:

- Προσέξτε να μην μαγκώσετε τα δάκτυλά σας κατά το κλείσιμο του γάντζου βάσης. Αν δεν το τηρήσετε αυτό, μπορεί να προκληθεί προσωπικός τραυματισμός.

ΣΗΜΕΙΩΣΗ:

- Μην ασκείτε υπερβολική δύναμη πάνω στον γάντζο βάσης. Η άσκηση υπερβολικής δύναμης πάνω στο γάντζο βάσης μπορεί να τον καταστρέψει. Κλείστε τον γάντζο βάσης όταν δεν χρησιμοποιείται.

Το άνοιγμα του γάντζου βάσης επιτρέπει την ακόλουθη χρήση.

Αποθήκευση του καλωδίου τροφοδοσίας

ΣΗΜΕΙΩΣΗ:

- Μην χρησιμοποιείτε την ηλεκτρική σκούπα ή ένα συνδεδεμένο ηλεκτρικό εργαλείο με ένα καλώδιο τροφοδοσίας τυλιγμένο πάνω στον γάντζο βάσης. Η χρήση της ηλεκτρικής σκούπας ή του συνδεδεμένου ηλεκτρικού εργαλείου με το καλώδιο τροφοδοσίας μπορεί να προκαλέσει βλάβη του καλωδίου τροφοδοσίας. (Εικ. 5)

Αποθήκευση των μπροστινών μανικιτών

Τα μπροστινά μανικέτια 22, 24 και 38 μπορούν να αποθηκευτούν (μέχρι δύο ταυτόχρονα.) (Εικ. 6)

Αποθήκευση του εύκαμπτου σωλήνα (Εικ. 7)

Στήριξη ένας λογικού μεγέθους ηλεκτρικού εργαλείου για το γάντζο βάσης, όπως ένα δισκοπρίονο. (Εικ. 8)

Κλείδωμα ή ξεκλείδωμα του τροχίσκου

Για τα μοντέλα VC1310L και VC2510L (Εικ. 9)

Για το μοντέλο VC3210L (Εικ. 10)

Για να ασφαλίσετε τον τροχίσκο με ένα αναστολέα, χαμηλώστε το επίπεδο του αναστολέα και ο τροχίσκος δεν θα μπορεί να περιστραφεί. Για να απελευθερώσετε τον τροχίσκο από την κλειδωμένη θέση, ανυψώστε το επίπεδο του αναστολέα.

Το κλείδωμα του τροχίσκου είναι βολικό κατά την αποθήκευση της ηλεκτρικής σκούπας, το σταμάτημα της

εργασίας στο μέσον και τη διατήρηση της ηλεκτρικής σκούπας στην ακίνητη θέση. Για να λειτουργήσει ο αναστολέας, μετακινήστε τον με το χέρι.

ΣΗΜΕΙΩΣΗ:

- Κατά τη μετακίνηση της ηλεκτρικής σκούπας, βεβαιωθείτε ότι ο τροχίσκος είναι ξεκλειδωτός. Η μετακίνηση της σκούπας με τον τροχίσκο στην ασφαλισμένη θέση, μπορεί να προκαλέσει βλάβη στο τροχίσκο.

ΣΥΝΑΡΜΟΛΟΓΗΣΗ

⚠️ ΠΡΟΣΟΧΗ:

- Να βεβαιώνετε πάντοτε ότι η ηλεκτρική σκούπα είναι σβηστή και αποσυνδεδεμένη από το ηλεκτρικό ρεύμα πριν εκτελέσετε οποιαδήποτε εργασία σε αυτή.
- Να φοράτε πάντα μάσκα σκόνης κατά τη συναρμολόγηση ή συντήρηση.

Τοποθέτηση του φίλτρου νερού (Εικ. 11)

Για να μαζέψετε νερό ή υγρή σκόνη, αφαιρέστε το προφίλτρο και τον αποσβεστήρα και στη συνέχεια χρησιμοποιήστε το φίλτρο νερού.

Κατά την εγκατάσταση του φίλτρου νερού στο δοχείο, τοποθετήστε το σφιχτά στο άνοιγμα του δοχείου, έτσι ώστε ο γάντζος του φίλτρου νερού να συνδεθεί με το άνοιγμα του δοχείου σταθερά και να μην υπάρχει κενό διάστημα ανάμεσα στο φίλτρο νερού και στο δοχείο. (Εικ. 12)

Επίσης, εγκαταστήστε το φίλτρο νερού ώστε η σήμανση της θέσης στερέωσης να μπορεί να ευθυγραμμιστεί.

ΣΗΜΕΙΩΣΗ:

- Τα μοντέλα VC2510L και VC3210L δεν έχουν καμία σήμανση της θέσης στερέωσης και δεν απαιτείται η ευθυγράμμιση.

Τοποθέτηση του χαρτονιού

⚠️ ΠΡΟΕΙΔΟΠΟΙΗΣΗ:

- Όταν χρησιμοποιείτε το χαρτόνι, να χρησιμοποιείτε επίσης μαζί και το προφίλτρο που είναι προεγκατεστημένο στο εργαλείο. Αν δεν χρησιμοποιήσετε μαζί το προφίλτρο μπορεί να προκληθεί ασυνήθιστος θόρυβος και θερμότητα, με αποτέλεσμα την πυρκαγιά.

⚠️ ΠΡΟΣΟΧΗ:

- Ποτέ μην μαζεύετε νερό ή άλλα υγρά ή υγρές σκόνες όταν χρησιμοποιείται το χαρτόνι. Το μάζεμα τέτοιων πραγμάτων μπορεί να προκαλέσει τη θραύση του χαρτονιού.
 1. Αφαιρέστε το λαστιχένο στηρίγμα. (Εικ. 13)
 2. Προεκτείνετε το χαρτόνι.
 3. Ευθυγραμμίστε το άνοιγμα του χαρτονιού με το άνοιγμα αναρρόφησης σκόνης της ηλεκτρικής σκούπας. (Εικ. 14 και 15)
 4. Τοποθετήστε πάνω επίσης το ναστόχαρτο του χαρτονιού έτσι ώστε να είναι τοποθετημένο στην άκρη πέρα από την προεξοχή συγκράτησης.

Τοποθέτηση του στηρίγματος σωλήνων (προαιρετικό αξεσουάρ)

Για το μοντέλο VC1310L μόνο

Πατήστε το γάντζο του καλωδίου όπως απεικονίζεται στην εικόνα. (Fig. 16)

Συνδέεται το στηρίγμα των σωλήνων πάνω στο γάντζο του καλωδίου. (Οι γάντζοι είναι μακριά από το κάλυμμα του δοχείου.)

Σηκώστε το στηρίγμα των σωλήνων όσο οι γάντζοι εφάπτονται στο δοχείο και πατήστε το τμήμα Α του στηρίγματος σωλήνων. (Εικ. 17)

Πατήστε το τμήμα Α με μεγάλη δύναμη και με το τμήμα Α πατημένο χαμηλότερα του στηρίγματος σωλήνων. (Εικ. 18)

Ταιριάζτε τις δυο προεξοχές του στηρίγματος σωλήνων στις εσοχές του καλύμματος του δοχείου και στη συνέχεια, πιέστε προς τα κάτω το στηρίγμα σωλήνων. (Εικ. 19 και 20)

ΣΗΜΕΙΩΣΗ:

- Το στηρίγμα σωλήνων που είναι υπερβολικά χαμηλότερο από την προβλεπόμενη θέση δεν μπορεί να εγκατασταθεί στον γάντζο του καλωδίου με το γάντζο μακριά από το κάλυμμα του δοχείου, όπως φαίνεται στην εικόνα. (Εικ. 21)

ΣΗΜΕΙΩΣΗ:

- Βεβαιωθείτε ότι οι δυο γάντζοι του στηρίγματος σωλήνων είναι προσκολλημένοι με ασφάλεια στο κάλυμμα του δοχείου. (Εικ. 22)

Σύνδεση ενός εύκαμπτου σωλήνα

⚠ ΠΡΟΣΟΧΗ:

- Ποτέ μην πιέζετε το σωλήνα για να τον κάμψετε ή να τον σταμπάρετε. Ποτέ μην μετακινείτε την ηλεκτρική σκούπα από τον εύκαμπο σωλήνα. Η άσκηση δύναμης, το σταμπάρισμα και το τράβηγμα του εύκαμπτου σωλήνα μπορεί να προκαλέσει θραύση ή ή παραμόρφωση του σωλήνα.
- Κατά το μάζεμα μεγάλων αποβλήτων, όπως αποκόμματα πλάνης, σκόνες από σκυρόδεμα ή παρόμοια, εκτός από τα μικρά απόβλητα, χρησιμοποιήστε τον εύκαμπο σωλήνα με εσωτερική διάμετρο 38 mm (προαιρετικό αξεσουάρ). Η χρήση του εύκαμπτου σωλήνα με εσωτερική διάμετρο 28 mm μπορεί να προκαλέσει το βούλωμα του σωλήνα και ζημιά.

Εισάγετε τον εύκαμπο σωλήνα μέσα στην είσοδο του δοχείου και περιστρέψτε τον δεξιόστροφα έως ότου ασφαλίσει. (Εικ. 23)

Εγκατάσταση σακούλας πολυαιθυλενίου

Η ηλεκτρική σκούπα μπορεί επίσης να χρησιμοποιηθεί χωρίς τη σακούλα πολυαιθυλενίου. Ωστόσο, με τη χρήση της σακούλας πολυαιθυλενίου γίνεται πιο εύκολο το άδειασμα του δοχείου χωρίς να βρομίσετε τα χέρια σας. Απλώστε τη σακούλα πολυαιθυλενίου στο δοχείο.

Τοποθετήστε τη μεταξύ της πλάκας στηρίγματος και του δοχείου και τραβήξτε τη προς την είσοδο του σωλήνα. (Εικ. 24)

Απλώστε την σακούλα γύρω από την κορυφή του δοχείου.

Γαντζώστε στην άλλη πλευρά του σάκου γύρω από την κορυφή του δοχείου, έτσι ώστε το άγκιστρο του προφίλτρου να μπορεί να πιπίσει και κρατήσει το σταθερά. (Εικ. 25)

ΣΗΜΕΙΩΣΗ:

- Μπορεί να χρησιμοποιηθεί μια σακούλα πολυαιθυλενίου που διατίθεται στην αγορά. Συνιστάται ένα πάχος 0,04 mm ή μεγαλύτερο.
- Η μεγάλη ποσότητα σκόνης θα σκίσει εύκολα τη σακούλα, για αυτό μην γεμίζετε την σακούλα με σκόνη πάνω από το μισό της χωρητικότητάς της.

Άδειασμα της σακούλας πολυαιθυλενίου

⚠ ΠΡΟΕΙΔΟΠΟΙΗΣΗ:

- Πάντοτε να βεβαιώνετε ότι η ηλεκτρική σκούπα είναι σβηστή και βγαλμένη από την πρίζα πριν αδειάσετε τη σακούλα πολυαιθυλενίου. Εάν δεν το κάνετε αυτό μπορεί να προκληθεί ηλεκτροπληξία ή προσωπικός τραυματισμός.

⚠ ΠΡΟΣΟΧΗ:

- Μην χτυπήσετε δυνατά το φίλτρο σκόνης και το δοχείο. Η άσκηση δυνατού χτυπήματος μπορεί να προκαλέσει παραμόρφωση και ζημιά στο φίλτρο σκόνης και στο δοχείο.
- Αδειάστε το δοχείο τουλάχιστον μια φορά την ημέρα αν και αυτό εξαρτάται από τον όγκο της σκόνης στο δοχείο που έχει μαζευτεί. Διαφορετικά, η δύναμη αναρρόφησης θα εξασθενήσει και ο κινητήρας μπορεί να πάθει ζημιά.
- Μη πιάνετε το γάντζο κατά το άδειασμα του δοχείου. Το πιάσιμο του γάντζου μπορεί να προκαλέσει το σπάσιμο του γάντζου.

Απαγκιστρώστε και ανασηκώστε το κάλυμμα του δοχείου. (Εικ. 26)

Αποτινάξτε τη σκόνη από το φίλτρο σκόνης, τον αποσβεστήρα και το προφίλτρο και στη συνέχεια βγάλτε τη σακούλα πολυαιθυλενίου έξω από το δοχείο. (Εικ. 27)

ΣΗΜΕΙΩΣΗ:

- Βγάλτε τη σακούλα πολυαιθυλενίου προσεκτικά έξω από το δοχείο, έτσι ώστε η σακούλα πολυαιθυλενίου να μην μπορεί να σχιστεί από την προεξοχή μέσα στο δοχείο κατά την εκκένωση.
- Αδειάστε τη σακούλα πολυαιθυλενίου πριν γεμίσει. Η πάρα πολύ μεγάλη ποσότητα σκόνης στο δοχείο μπορεί να προκαλέσει το σχίσιμο της σακούλας πολυαιθυλενίου.

Τοποθέτηση του φίλτρου σκόνης (για ξηρή σκόνη) (Εικ. 11)

Τοποθετήστε το προφίλτρο στο δοχείο.

Στη συνέχεια, στερεώστε τον αποσβεστήρα στο φίλτρο σκόνης και μετά τοποθετήστε το στο προφίλτρο.

Κατά την εγκατάσταση του φίλτρου σκόνης και του προφίλτρου, η σήμανση της θέσης στερέωσης για κάθε ένα από αυτά ευθυγραμμίζεται με τη σήμανση στο πάνω μέρος του δοχείου.

Τέλος, τοποθετήστε το κάλυμμα του δοχείου.

ΣΗΜΕΙΩΣΗ:

- Τα μοντέλα VC2510L και VC3210L δεν έχουν καμία σήμανση της θέσης στερέωσης και δεν απαιτείται ευθυγράμμιση.

- Πριν από τη χρήση του φίλτρου σκόνης, βεβαιωθείτε ότι το προφίλτρο και ο αποσβεστήρας χρησιμοποιούνται πάντα μαζί. Δεν επιτρέπεται η εγκατάσταση μόνο του φίλτρου σκόνης.
- Πριν από τη χρήση του χαρτονιού, βεβαιωθείτε ότι το φίλτρο σκόνης, ο αποσβεστήρας και το προφίλτρο χρησιμοποιούνται πάντα μαζί.

Τοποθέτηση του φίλτρου σκόνης (HEPA)

Προαιρετικά αξεσουάρ, διαθέσιμο μόνο για τα μοντέλα

VC2510L και VC3210L (Εικ. 28)

Για τη χρήση του φίλτρου σκόνης (HEPA), αφαιρέστε τον κλωβό του πλωτήρα και τον πλωτήρα αφαιρώντας τις βίδες. Στη συνέχεια ακολουθήστε τη διαδικασία της ενότητας “Τοποθέτηση του φίλτρου σκόνης (για ξηρή σκόνη)”.

Μεταφορά της ηλεκτρικής σκούπας (Εικ. 29)

Κατά τη μεταφορά της ηλεκτρικής σκούπας, μεταφέρετέ την κρατώντας το χερούλι στο πάνω μέρος όπως απεικονίζεται στην εικόνα. Το χερούλι είναι αναδιπλούμενο όταν δεν το χρησιμοποιείτε.

ΣΥΝΤΗΡΗΣΗ

⚠ ΠΡΟΣΟΧΗ:

- Να βεβαιώνετε πάντοτε ότι το εργαλείο είναι σβηστό και αποσυνδεδεμένο από το ηλεκτρικό ρεύμα πριν εκτελέσετε οποιαδήποτε εργασία ελέγχου ή συντήρησης σε αυτό.

Αποθήκευση του καλωδίου τροφοδοσίας

Μόνο για το Μοντέλο VC1310L (Εικ. 30 και 31)

Τραβήξτε το γάντζο του καλωδίου ή ανοίξτε το γάντζο της βάσης. Τυλίξτε το καλώδιο τροφοδοσίας και κρεμάστε το στον γάντζο του καλωδίου ή τυλίξτε το γύρω από το γάντζο της βάσης.

ΣΗΜΕΙΩΣΗ:

- Μην ασκείτε δύναμη στο καλώδιο τροφοδοσίας κατά την προσπάθεια αποσύνδεσης από το γάντζο του καλωδίου. Η άσκηση δύναμης στο καλώδιο τροφοδοσίας για την αποσύνδεση από το γάντζο του καλωδίου μπορεί να προκαλέσει βλάβη στο καλώδιο.

Για τα μοντέλα VC2510L και VC3210L (Εικ. 32 και 33)

Τυλίξτε το καλώδιο παροχής ρεύματος γύρω από το γάντζο της βάσης.

Αποθήκευση των αξεσουάρ

ΣΗΜΕΙΩΣΗ:

- Μην εφαρμόζετε υπερβολική δύναμη στα αξεσουάρ που κρατούνται από το στήριγμα σωλήνων. Η άσκηση υπερβολικής δύναμης σε αυτά τα εξαρτήματα μπορεί να προκαλέσει βλάβη στο στήριγμα σωλήνων.

Για το μοντέλο VC1310L μόνο (Fig. 34)

Το στήριγμα σωλήνων μπορεί να χρησιμοποιηθεί για την αποθήκευση του ίδιου σωλήνα, του γωνιασμένου σωλήνα, του ακροφύσιου γωνίας και παρόμοιων υλικών απλά και μόνο με την τοποθέτηση αυτών των αξεσουάρ.

Επίσης οι σωλήνες μπορούν να τοποθετηθούν στο στήριγμα σωλήνων κατά το σύντομο σταμάτημα της χρήσης της ηλεκτρικής σκούπας. (Εικ. 35)

Για τα Μοντέλα VC2510L και VC3210L (Εικ. 36)

Η βάση των σωλήνων μπορεί να χρησιμοποιηθεί για την αποθήκευση ίδιου σωλήνα, γωνιασμένου σωλήνα και άλλων υλικών απλά και μόνο με την τοποθέτηση αυτών των αξεσουάρ. (Εικ. 37)

Επίσης οι σωλήνες μπορούν να τοποθετηθούν στο στήριγμα σωλήνων κατά το σύντομο σταμάτημα της χρήσης της ηλεκτρικής σκούπας.

Καθαρισμός

⚠ ΠΡΟΣΟΧΗ:

- Μην χρησιμοποιήσετε βενζίνη, βενζόλη, διαλυτικό, αλκοόλη ή κάτι παρόμοιο. Μπορεί να προκληθεί αποχρωματισμός, παραμόρφωση ή ρωγμές.

Τα βουλωμένα φίλτρο σκόνης, προφίλτρο και αποσβεστήρας μπορεί να οδηγήσουν στην κακή απόδοση αναρρόφησης. (Εικ. 38)

Καθαρίστε τα φίλτρα και τους αποσβεστήρες από καιρό σε καιρό.

Για να απομακρύνετε τη σκόνη ή τα σωματίδια που έχουν προσκολληθεί στα φίλτρα, ανακινήστε το κάτω πλαίσιο γρήγορα αρκετές φορές.

Περιστρεφόμενα, πλένεται το φίλτρο σκόνης στο νερό, ξεπλύνετε και στεγνώστε καλά στη σκιά πριν τη χρήση. Ποτέ μην πλένετε τα φίλτρα σε πλυντήριο. (Εικ. 39)

ΣΗΜΕΙΩΣΗ:

- Μην τρίβετε και ξύνετε το φίλτρο σκόνης, το προφίλτρο ή τον αποσβεστήρα με σκληρά αντικείμενα, όπως μια βούρτσα και ένα ξέστρο.
- Τα φίλτρα είναι αναλώσιμα και συνιστάται η ύπαρξη ανταλλακτικών κομμάτων.

Για να διατηρείται η ΑΣΦΑΛΕΙΑ και η ΑΞΙΟΠΙΣΤΙΑ του προϊόντος, οι εργασίες επισκευής, καθώς και οποιαδήποτε άλλη εργασία συντήρησης ή ρύθμισης, θα πρέπει να εκτελούνται σε εξουσιοδοτημένα κέντρα εξυπηρέτησης της Makita, και πάντοτε με τη χρήση ανταλλακτικών της Makita.

ΠΡΟΑΙΡΕΤΙΚΑ ΑΞΕΣΟΥΑΡ

⚠ ΠΡΟΣΟΧΗ:

- Συνιστάται η χρήση αυτών των αξεσουάρ ή εξαρτημάτων με το εργαλείο της Makita, όπως περιγράφεται στο παρόν εγχειρίδιο. Αν χρησιμοποιήσετε άλλα αξεσουάρ ή εξαρτήματα μπορεί να παρουσιαστεί κίνδυνος για πρόκληση τραυματισμού προσώπων. Να χρησιμοποιείτε τα αξεσουάρ και τα εξαρτήματα μόνο για το σκοπό για τον οποίο προορίζονται.

Αν χρειάζεστε κάποια βοήθεια ή περισσότερες πληροφορίες σχετικά με τα αξεσουάρ αυτά, απευθυνθείτε στο πλησιέστερο κέντρο εξυπηρέτησης της Makita.

- Εύκαμπτος σωλήνας
- Μπροστινά μανικέτια (22, 24, 38)
- Ευθύς σωλήνας
- Γωνιακό ακροφύσιο
- Στρογγυλή βούρτσα
- Φίλτρο σκόνης (Για ξηρού τύπου)
- Αποσβεστήρας
- Προφίλτρο

- Συγκρότημα ακροφυσίου
- Γωνιασμένος σωλήνας
- Σακούλα πολυαιθυλενίου
- Φίλτρο (Για νερό)
- Χαρτόνι
- Σετ στηρίγματος
- Στήριγμα σωλήνων (για το μοντέλο VC1310L μόνο)
- Φίλτρο σκόνης (HEPA) (Για τα μοντέλα VC2510L και VC3210L)

ΣΗΜΕΙΩΣΗ:

- Ορισμένα από τα στοιχεία της λίστα μπορεί να περιέχονται στην συσκευασία του εργαλείου ως κανονικά αξεσουάρ. Αυτά ενδέχεται να διαφέρουν από χώρα σε χώρα.

Θόρυβος

ENG905-1

Το σύνθετος σταθμισμένο επίπεδο θορύβου που έχει καθοριστεί σύμφωνα με την IEC60335-2-69:

Μοντέλο VC1310L

Επίπεδο ηχητικής πίεσης (L_{pA}): 72 dB (A)

Αβεβαιότητα (K): 2,5 dB (A)

Το επίπεδο θορύβου κατά τη λειτουργία ενδέχεται να υπερβεί τα 80 dB (A).

Μοντέλο VC2510L, VC3210L

Επίπεδο ηχητικής πίεσης (L_{pA}): 73 dB (A)

Αβεβαιότητα (K): 2,5 dB (A)

Το επίπεδο θορύβου κατά τη λειτουργία ενδέχεται να υπερβεί τα 80 dB (A).

Να φοράτε ωτοασπίδες.

Δόνηση

ENG900-1

Η συνολική τιμή δόνησης (διανυσματικό άθροισμα τριών αξόνων) που έχει καθοριστεί σύμφωνα με την IEC60335-2-69:

Η τιμή εκπομπής δόνησης είναι κάτω από 2,5 m/s².

ΕΚ Δήλωση συμμόρφωσης

Για Ευρωπαϊκές χώρες μόνο

Η δήλωση συμμόρφωσης ΕΚ περιλαμβάνεται ως παράρτημα Α σε αυτό το εγχειρίδιο οδηγιών.

Makita Europe N.V. Jan-Baptist Vinkstraat 2,
3070 Kortenberg, Belgium

Makita Corporation 3-11-8, Sumiyoshi-cho,
Anjo, Aichi 446-8502 Japan